



US00D573200S

(12) **United States Design Patent**
Hashimoto et al.

(10) **Patent No.:** **US D573,200 S**
(45) **Date of Patent:** **** Jul. 15, 2008**

(54) **SLOT MACHINE**

(75) Inventors: **Koichiro Hashimoto**, Tokyo (JP);
Yoshihide Endo, Tokyo (JP)

(73) Assignee: **Aruze Corporation**, Tokyo (JP)

(**) Term: **14 Years**

(21) Appl. No.: **29/287,201**

(22) Filed: **Jul. 9, 2007**

(30) **Foreign Application Priority Data**

Apr. 24, 2007 (JP) 2007-010989

(51) **LOC (8) Cl.** **21-03**

(52) **U.S. Cl.** **D21/370; D21/385**

(58) **Field of Classification Search** D21/325,
D21/329, 333, 369-371, 385; D14/305,
D14/307; 463/16-17, 20, 25, 46-47; D6/396,
D6/422

See application file for complete search history.

(56) **References Cited**

U.S. PATENT DOCUMENTS

6,161,805 A * 12/2000 Wells 273/143 R

(Continued)

Primary Examiner—Sandra Morris

(74) *Attorney, Agent, or Firm*—Manabu Kanesaka

(57) **CLAIM**

The ornamental design for a slot machine, as shown and described.

DESCRIPTION

The article pertaining to the design of the subject application constitutes a type of slot machine game machine. As is shown in “reference perspective drawing showing the usage state”, the subject article is used by arranging operating buttons and so on in an operating part and other operating part.

A pattern display part of which the rear side is visible and on which images can be represented, and an display part for the representation of images in a section other than the pattern display part, are provided in a display panel (liquid crystal monitor or the like) for displaying a main game, and rotating reels are arranged in the rear of the pattern display part. The

pattern drawn by the rotating reels is visible by way of the pattern display part, and various representation effects can be produced in the pattern display part by image control. The image control is performed in the display part in accordance with the action of the rotating reels, thereby producing various representation effects. Furthermore, a range of play information including play history and jackpot information can be displayed on the display part by the operation of the player. A second game independent of or auxiliary to the slot machine game played on the display panel can be displayed on other display panel together with, for example, related play information. As is shown in FIG. 6, i.e. a sectional view taken along line 6—6 in FIG. 1 omitting the interior mechanism, the other display is arranged to incline downward, and the visual field in the downward direction is expanded and the visibility thereof for the player is improved by the incline.

FIG. 1 is a front view of a slot machine showing our new design;

FIG. 2 is a right side view thereof;

FIG. 3 is a left side view thereof;

FIG. 4 is a top plan view thereof;

FIG. 5 is a bottom plan view thereof;

FIG. 6 is a sectional view taken along line 6—6 in FIG. 1;

FIG. 7 is a sectional view taken along line 7—7 in FIG. 1;

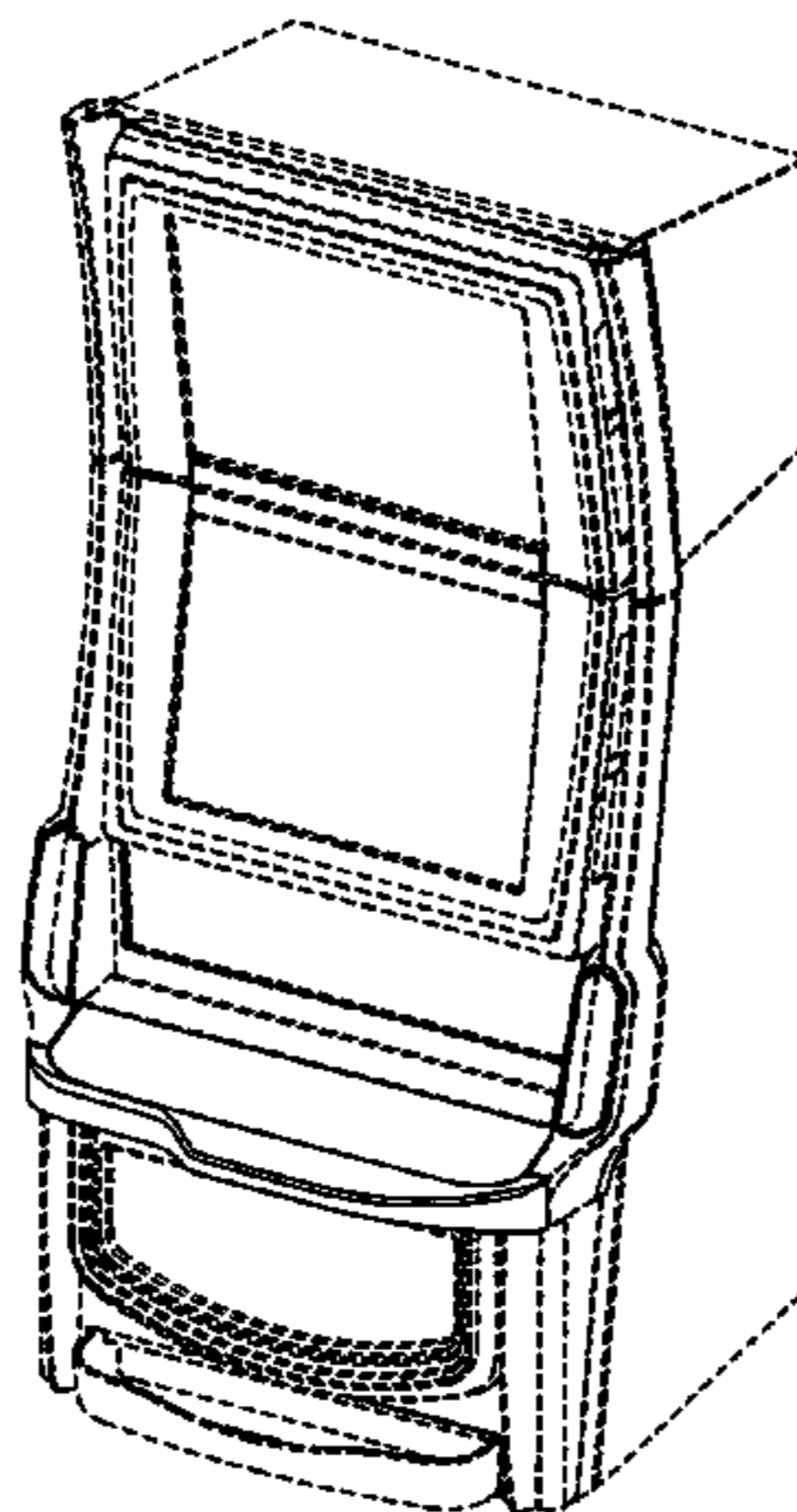
FIG. 8 is a perspective view thereof; and,

FIG. 9 is a reference perspective view showing a using condition thereof.

The broken lines are for illustrative purposes only and form no part of the claimed design.

The portion shown by the solid lines is the claimed design to be registered as the partial design. The portion to be registered as a partial design is identified by the all drawings. The ridgelines shown in the perspective view showing the ridgelines identify respectively the surface of the three dimensional shape.

1 Claim, 9 Drawing Sheets



US D573,200 S

Page 2

U.S. PATENT DOCUMENTS

D450,094 S *	11/2001	Hedrick et al.	D21/369	D526,686 S *	8/2006	Luciano et al.	D21/333
D451,153 S *	11/2001	Hedrick et al.	D21/385	D539,854 S *	4/2007	Luciano et al.	D21/369
6,886,896 B2 *	5/2005	Hedrick et al.	312/223.1	* cited by examiner			

Fig. 1

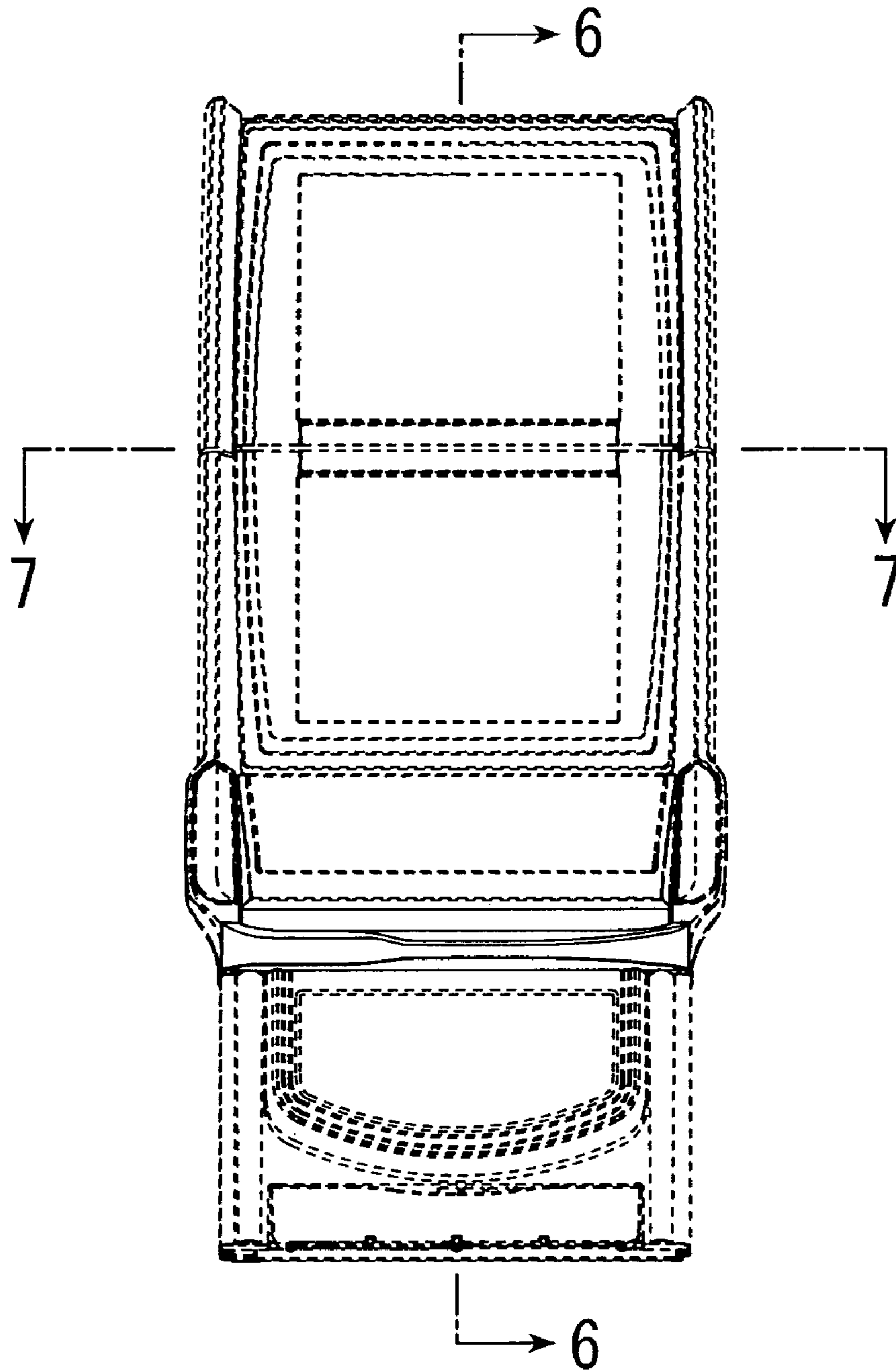


Fig.2

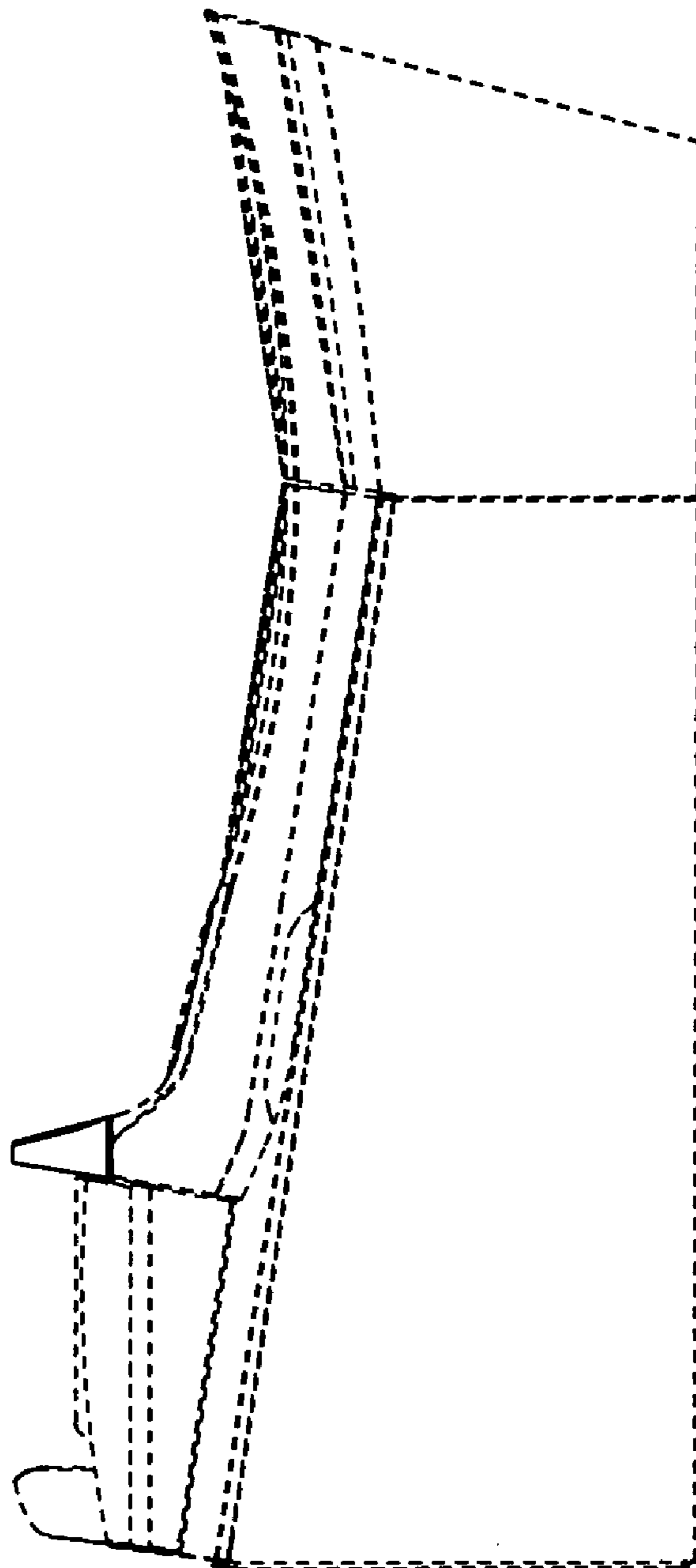


Fig.3

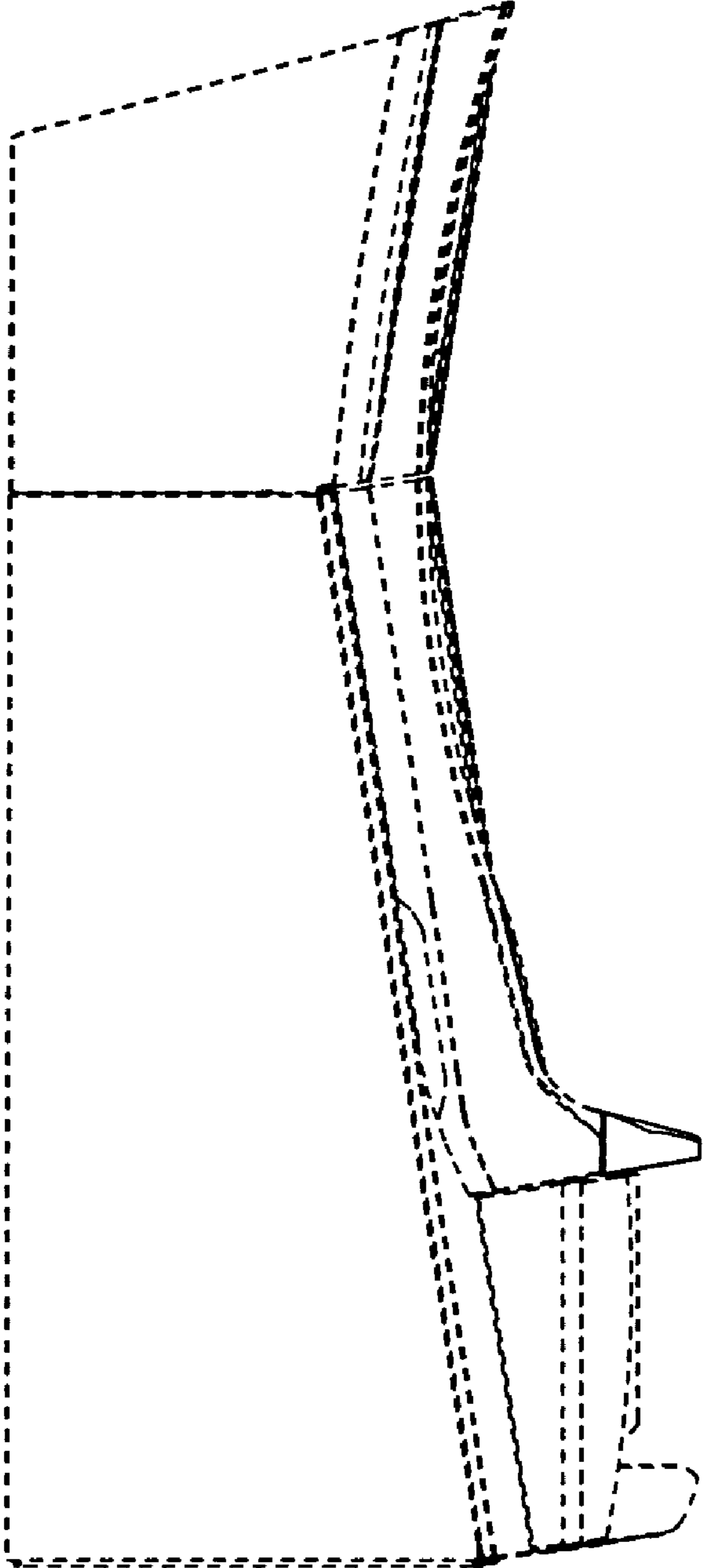


Fig.4

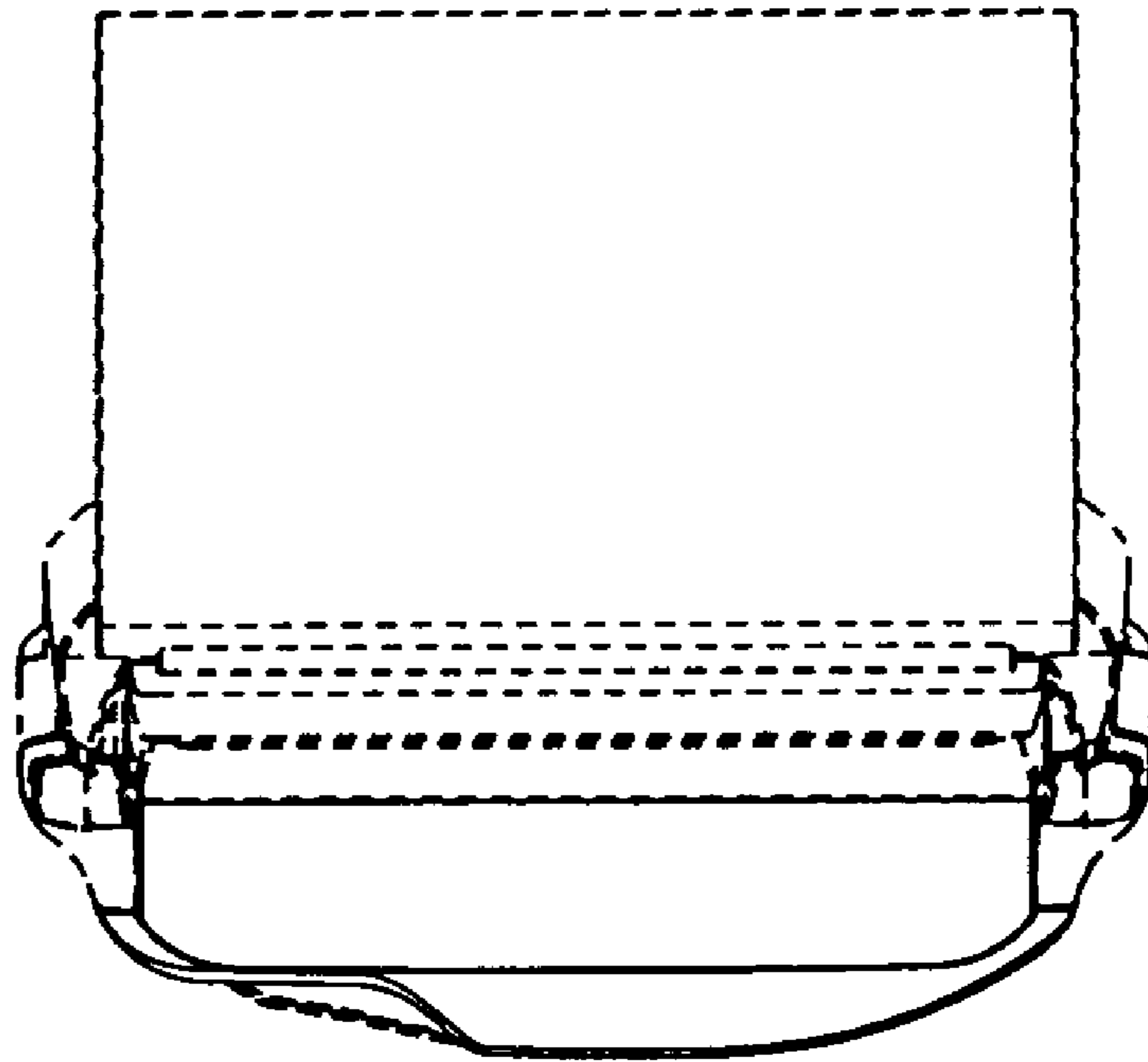


Fig.5

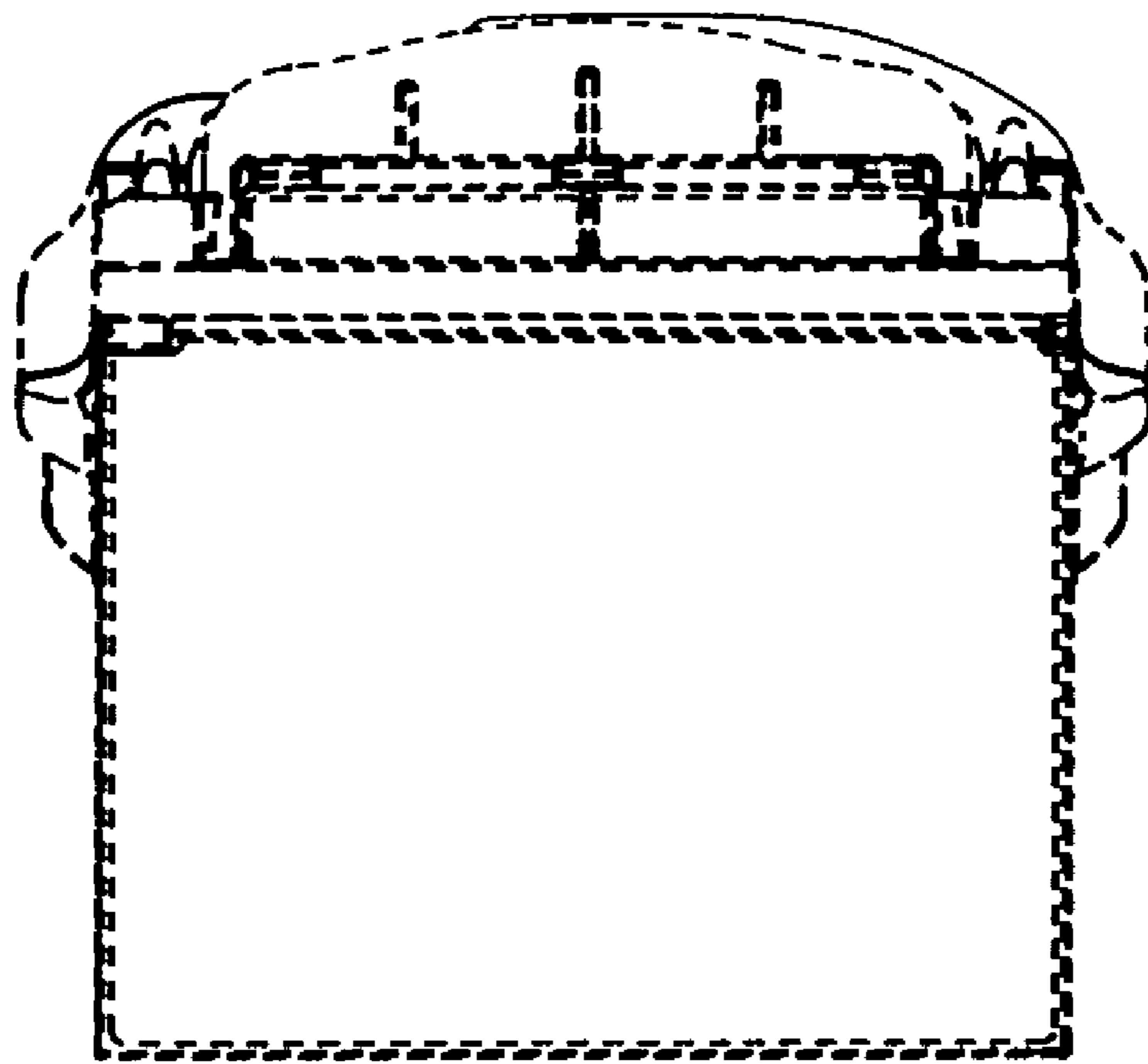


Fig.6

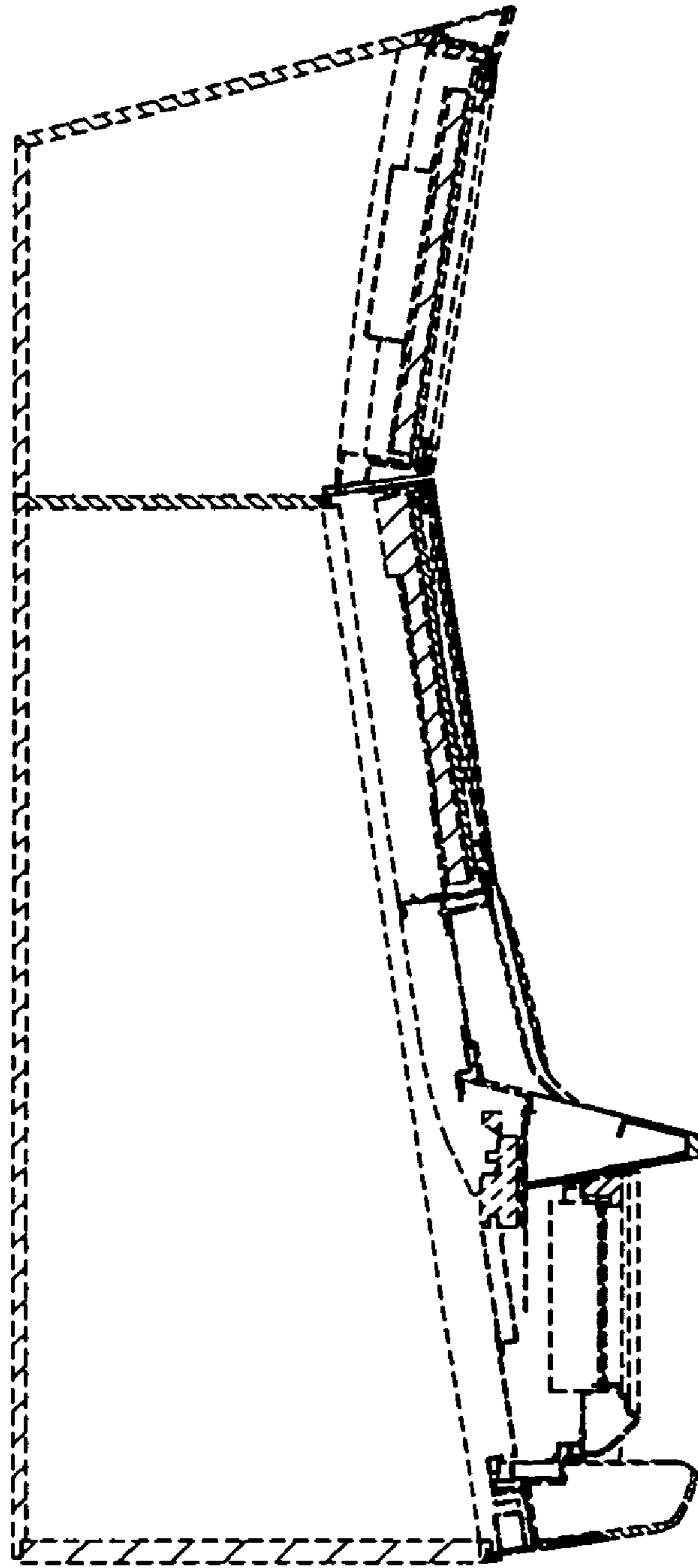


Fig. 7

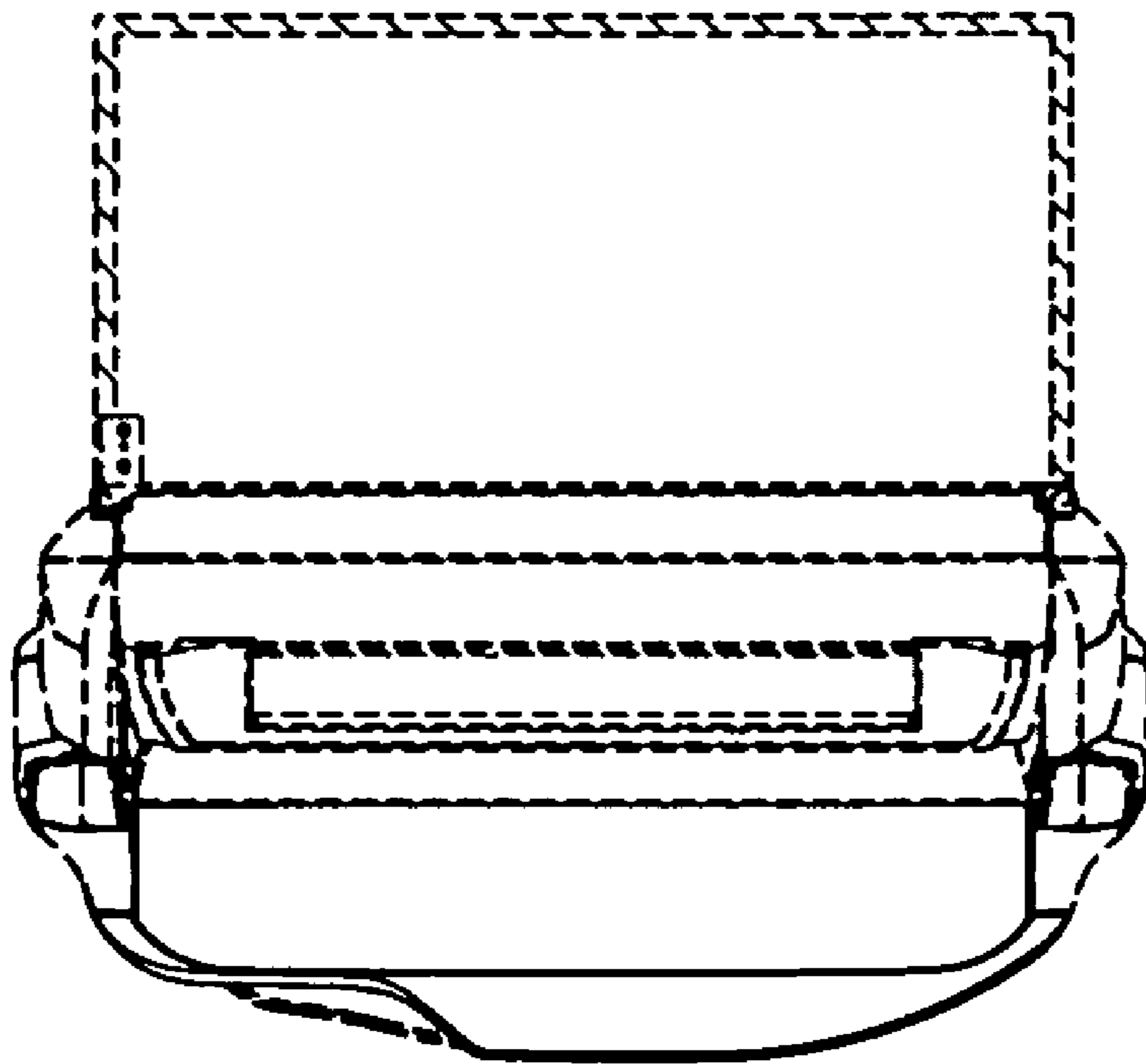


Fig.8

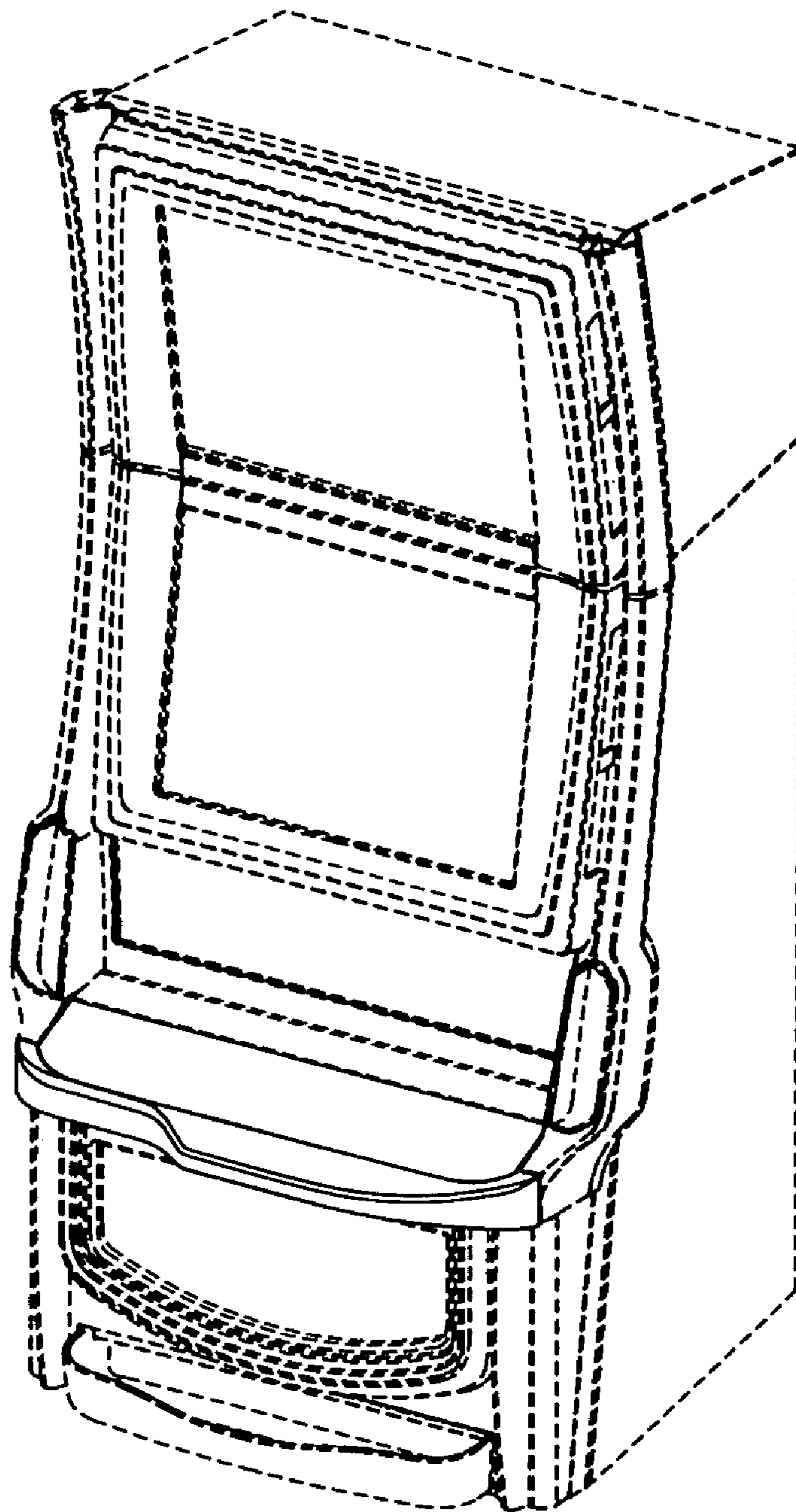


Fig.9

