



US00D573199S

(12) **United States Design Patent**
Richani

(10) **Patent No.:** **US D573,199 S**

(45) **Date of Patent:** **** Jul. 15, 2008**

(54) **CARD GAME PLAYING SURFACE**

(76) Inventor: **Harry Richani**, 36 Bayview Parade,
Gulfview Heights (AU) 5096

(**) Term: **14 Years**

(21) Appl. No.: **29/287,473**

(22) Filed: **Aug. 10, 2007**

(30) **Foreign Application Priority Data**

Feb. 14, 2007 (AU) 16426/2007

(51) **LOC (8) Cl.** **21-03**

(52) **U.S. Cl.** **D21/369; D21/396**

(58) **Field of Classification Search** D21/354,
D21/366, 369, 396-397; 273/268, 274, 292,
273/309; 463/13

See application file for complete search history.

(56) **References Cited**

U.S. PATENT DOCUMENTS

D298,555 S * 11/1988 Shen et al. D21/369

4,836,553 A * 6/1989 Suttle et al. 273/292

5,154,429 A * 10/1992 LeVasseur 273/292

D344,985 S * 3/1994 Masud et al. D21/369

D402,331 S * 12/1998 Serowik et al. D21/369

* cited by examiner

Primary Examiner—Sandra Morris

(74) *Attorney, Agent, or Firm*—O. M. (Sam) Zaghmout; Bio
intellectual Property Services (Bio IPS LLC)

(57) **CLAIM**

I claim the ornamental design for a card game playing surface,
as shown and described.

DESCRIPTION

FIG. 1 is a rear perspective view.

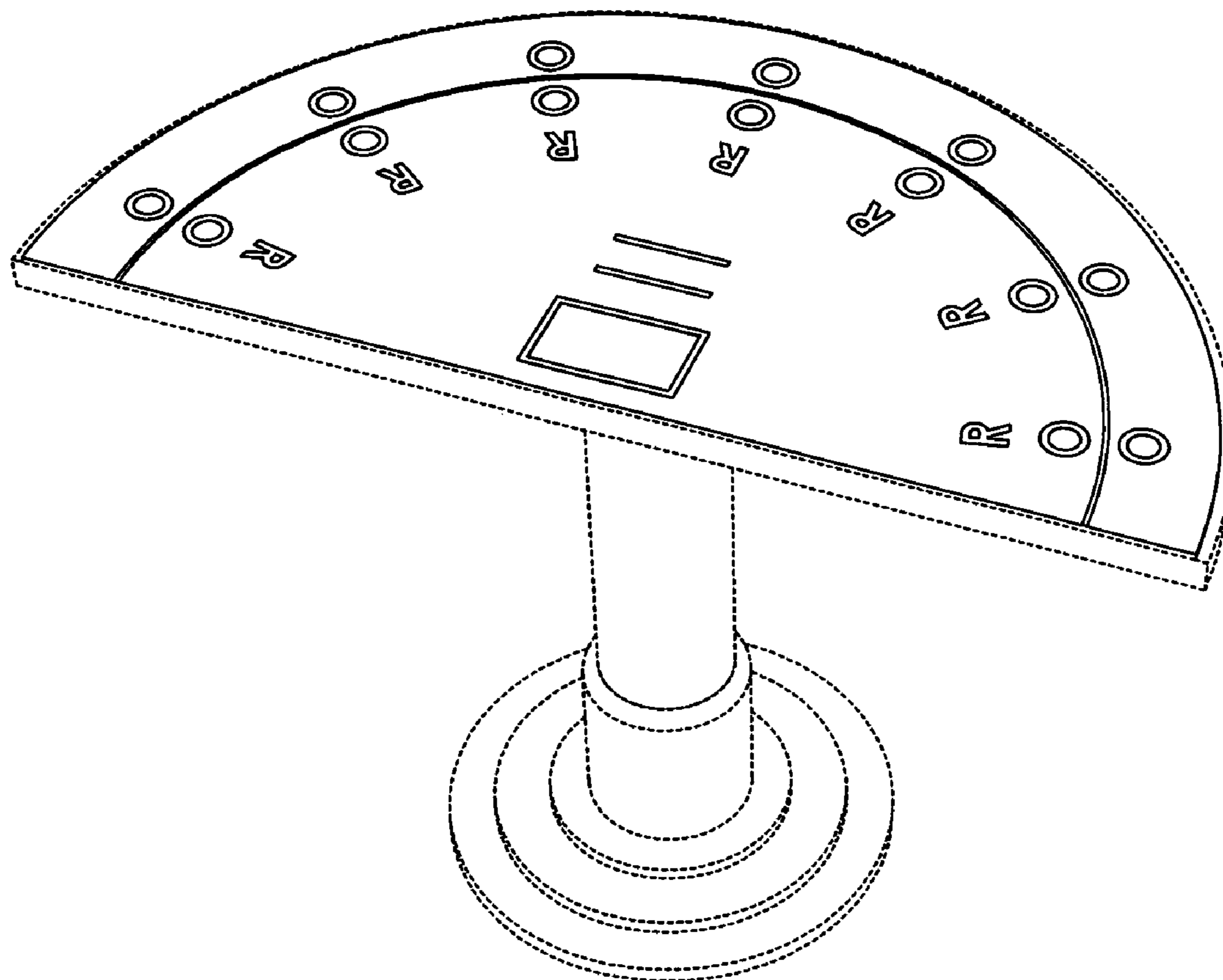
FIG. 2 is a front perspective view.

FIG. 3 is a front view; and,

FIG. 4 is a top view.

The broken line showing of the table is for illustrative pur-
poses only, and forms no part of the claimed design.

1 Claim, 2 Drawing Sheets



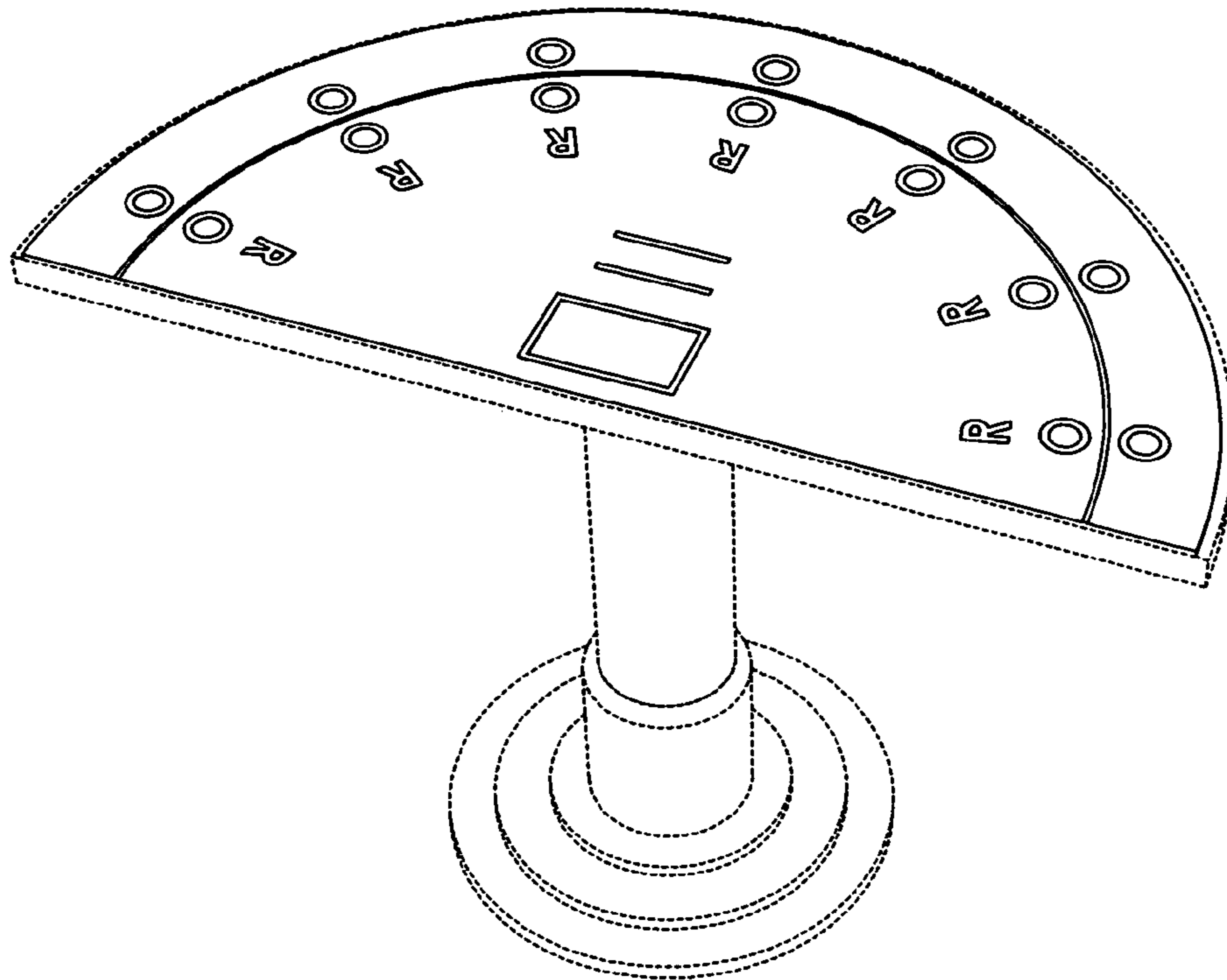


Fig. 1

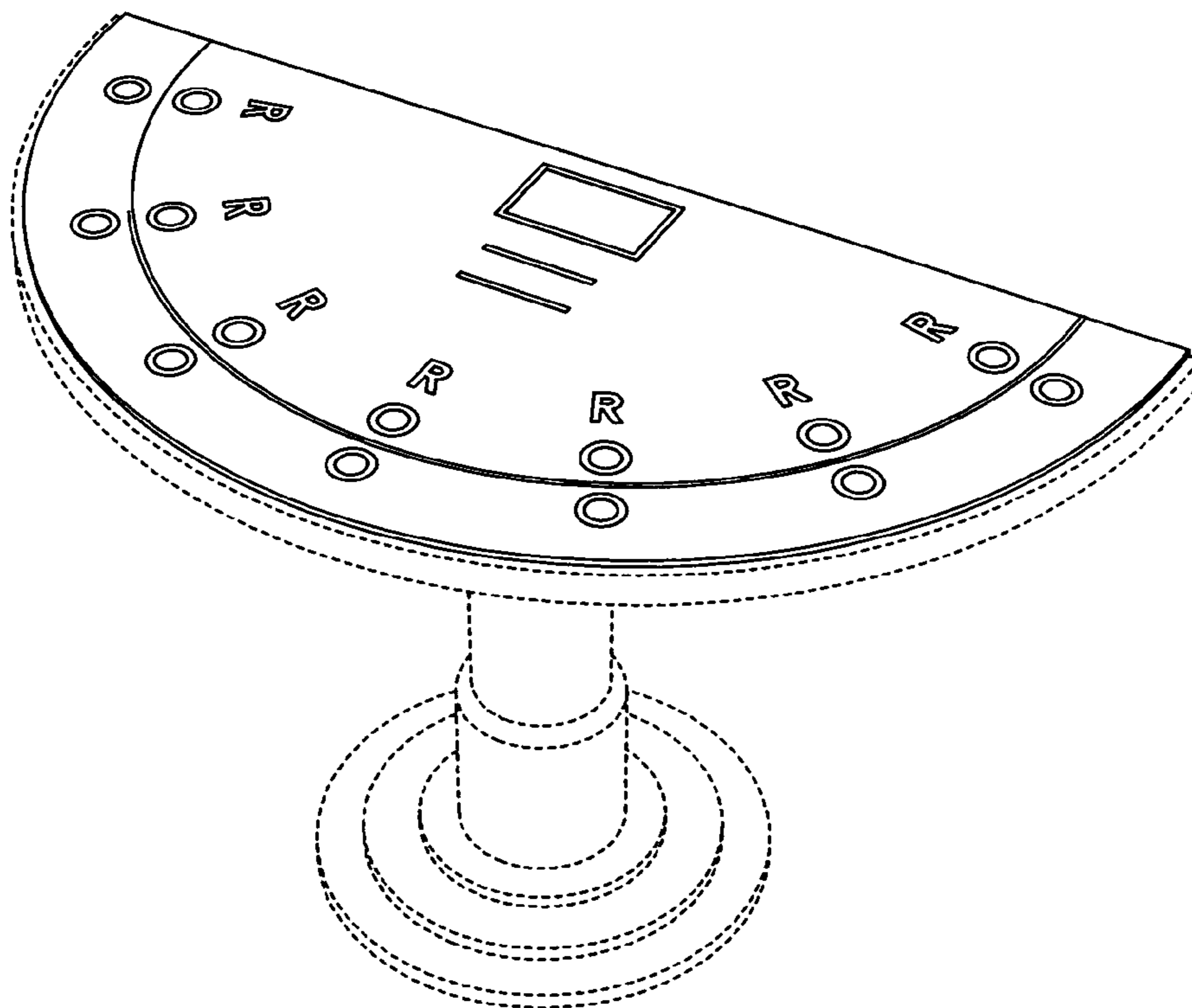


Fig. 2

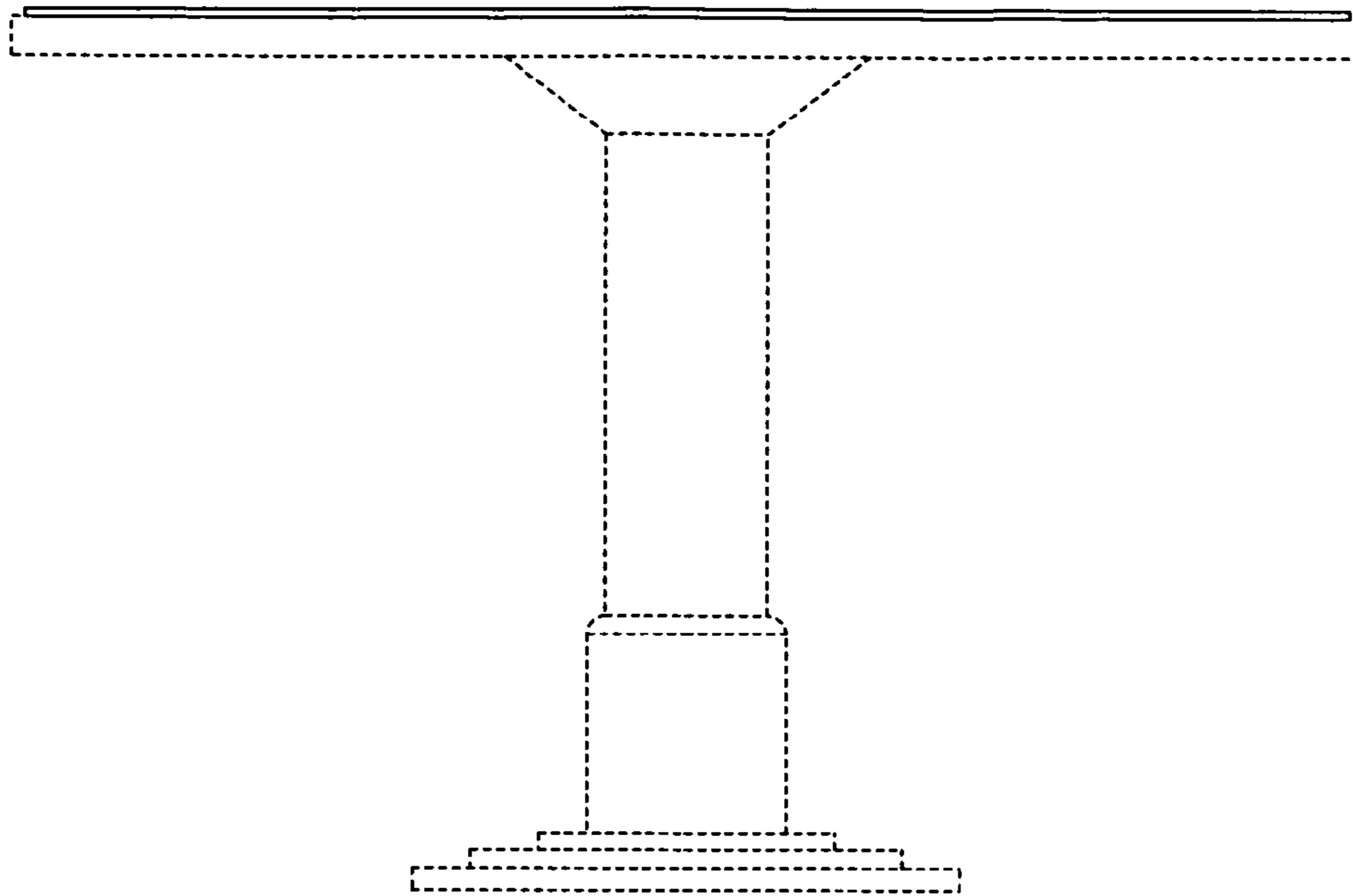


Fig. 3

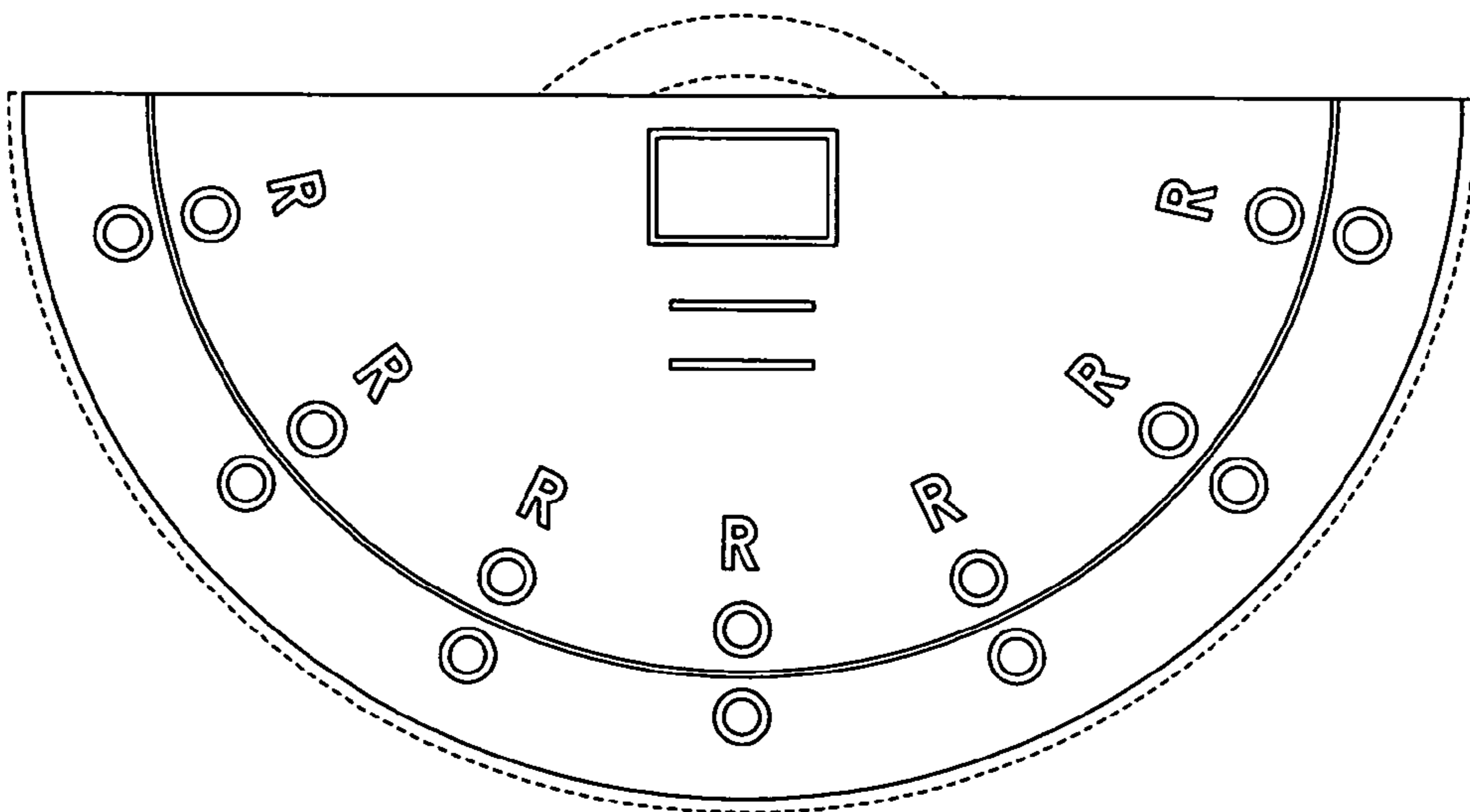


Fig. 4