



US00D573198S

(12) **United States Design Patent**  
**Bramfitt**

(10) **Patent No.:** **US D573,198 S**  
(45) **Date of Patent:** **\*\* Jul. 15, 2008**

(54) **ELECTRONIC GAMES APPARATUS**

(75) Inventor: **Jeff Bramfitt**, Liverpool (GB)

(73) Assignee: **Sony Computer Entertainment Europe Limited**, London (GB)

(\*\*) Term: **14 Years**

(21) Appl. No.: **29/255,991**

(22) Filed: **Mar. 14, 2006**

(30) **Foreign Application Priority Data**

Sep. 14, 2005 (EM) ..... 000403241-0001

(51) **LOC (8) Cl.** ..... **21-01**

(52) **U.S. Cl.** ..... **D21/333; D21/324; D21/385; D14/400; D14/414**

(58) **Field of Classification Search** ..... D14/400, D14/401, 414, 416, 412, 432; D21/324, D21/333, 385, 477, 561, 566; 273/148 B, 273/440, 441, 442; 434/45, 46; 463/1, 29-35, 463/46, 47

See application file for complete search history.

(56) **References Cited**

**U.S. PATENT DOCUMENTS**

5,829,745 A \* 11/1998 Houle ..... 273/148 B  
D410,970 S \* 6/1999 Larian ..... D21/329  
D420,708 S \* 2/2000 Holmes et al. .... D21/329  
D434,086 S \* 11/2000 Ford ..... D21/328  
D444,820 S \* 7/2001 Knaub et al. .... D21/333  
6,279,906 B1 \* 8/2001 Sanderson et al. .... 273/148 B  
D451,557 S \* 12/2001 Yu ..... D21/328

6,544,124 B2 \* 4/2003 Ireland et al. .... 463/37  
D497,365 S \* 10/2004 Hussaini et al. .... D14/414  
6,976,677 B1 \* 12/2005 McVicar ..... 273/148 B  
D517,124 S \* 3/2006 Merrill et al. .... D21/324  
D522,516 S \* 6/2006 Hussaini et al. .... D14/414  
D553,622 S \* 10/2007 Petrotta ..... D14/414

\* cited by examiner

*Primary Examiner*—Prabhakar Deshmukh

(74) *Attorney, Agent, or Firm*—Katten Muchin Rosenman LLP

(57) **CLAIM**

What is claimed is the ornamental design for an electronic games apparatus, as shown and described.

**DESCRIPTION**

FIG. 1 is a perspective view of my electronic games apparatus showing my new design with a front console cover removed;

FIG. 2 is a perspective view thereof with the front console cover in place;

FIG. 3 is a front view thereof with the front console cover removed;

FIG. 4 is a front view thereof with the front console cover in place;

FIG. 5 is a rear view thereof;

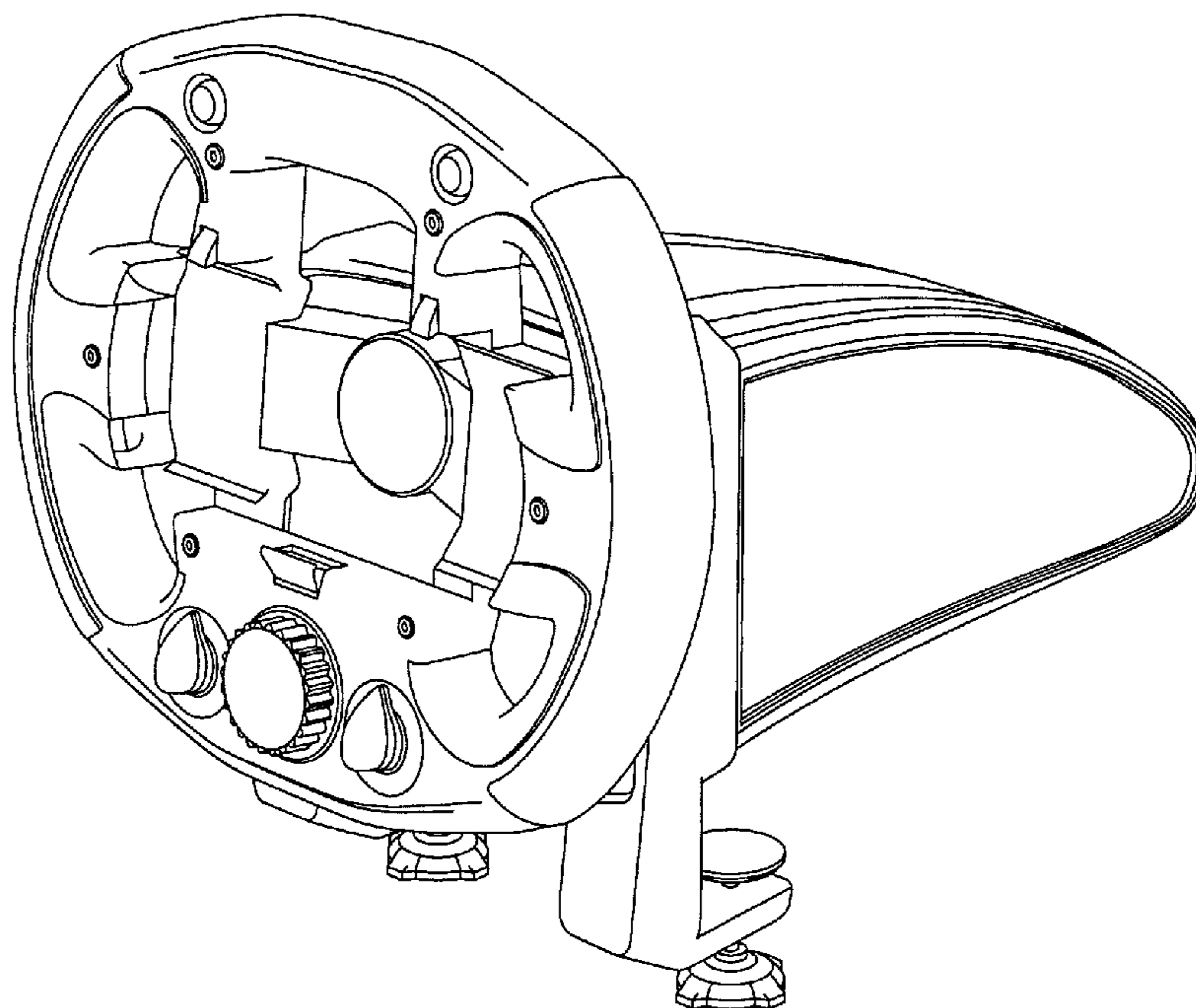
FIG. 6 is a right-side view thereof;

FIG. 7 is a left-side view thereof;

FIG. 8 is a top view thereof; and,

FIG. 9 is a bottom view thereof.

**1 Claim, 9 Drawing Sheets**



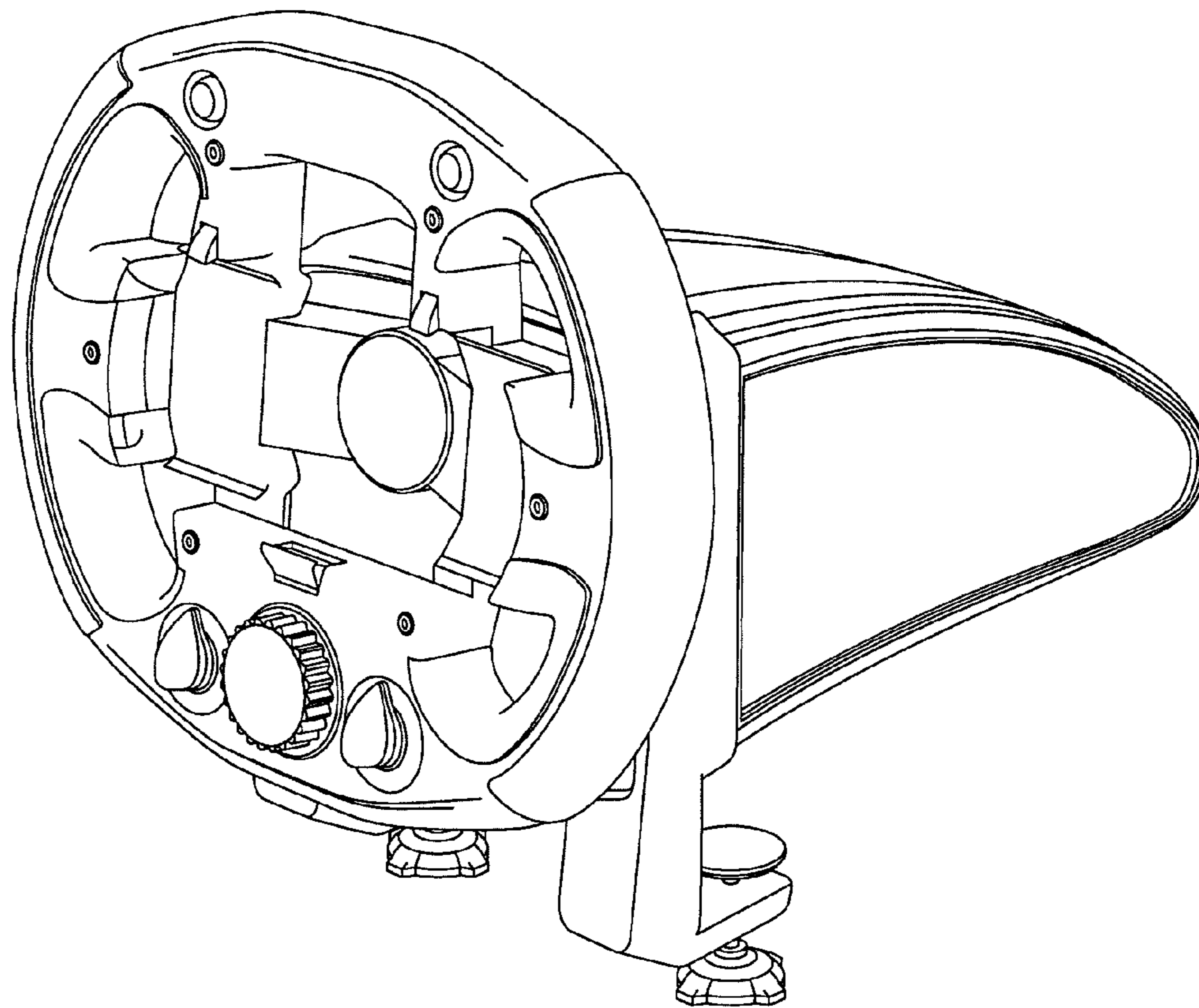


FIG. 1

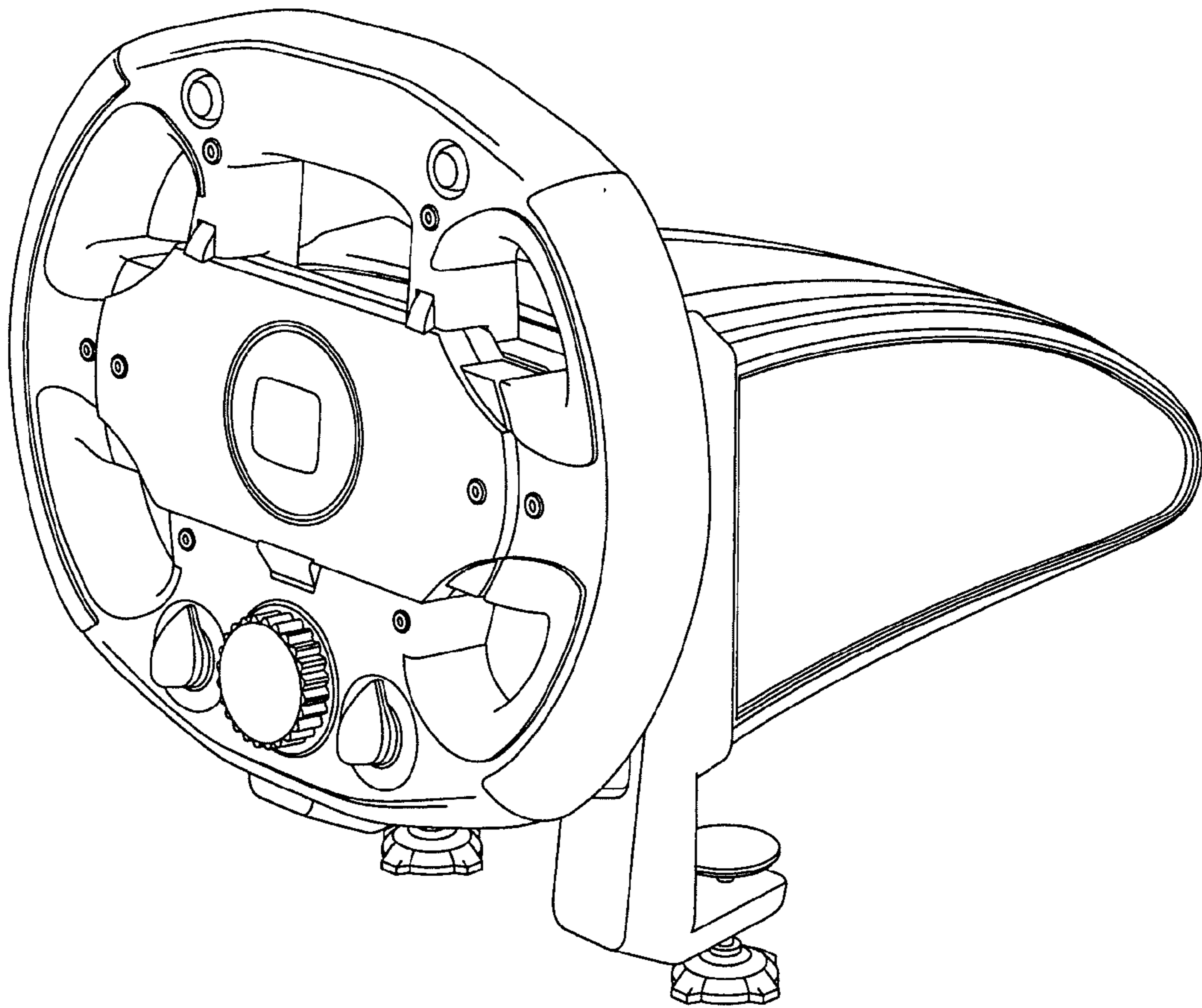


FIG. 2

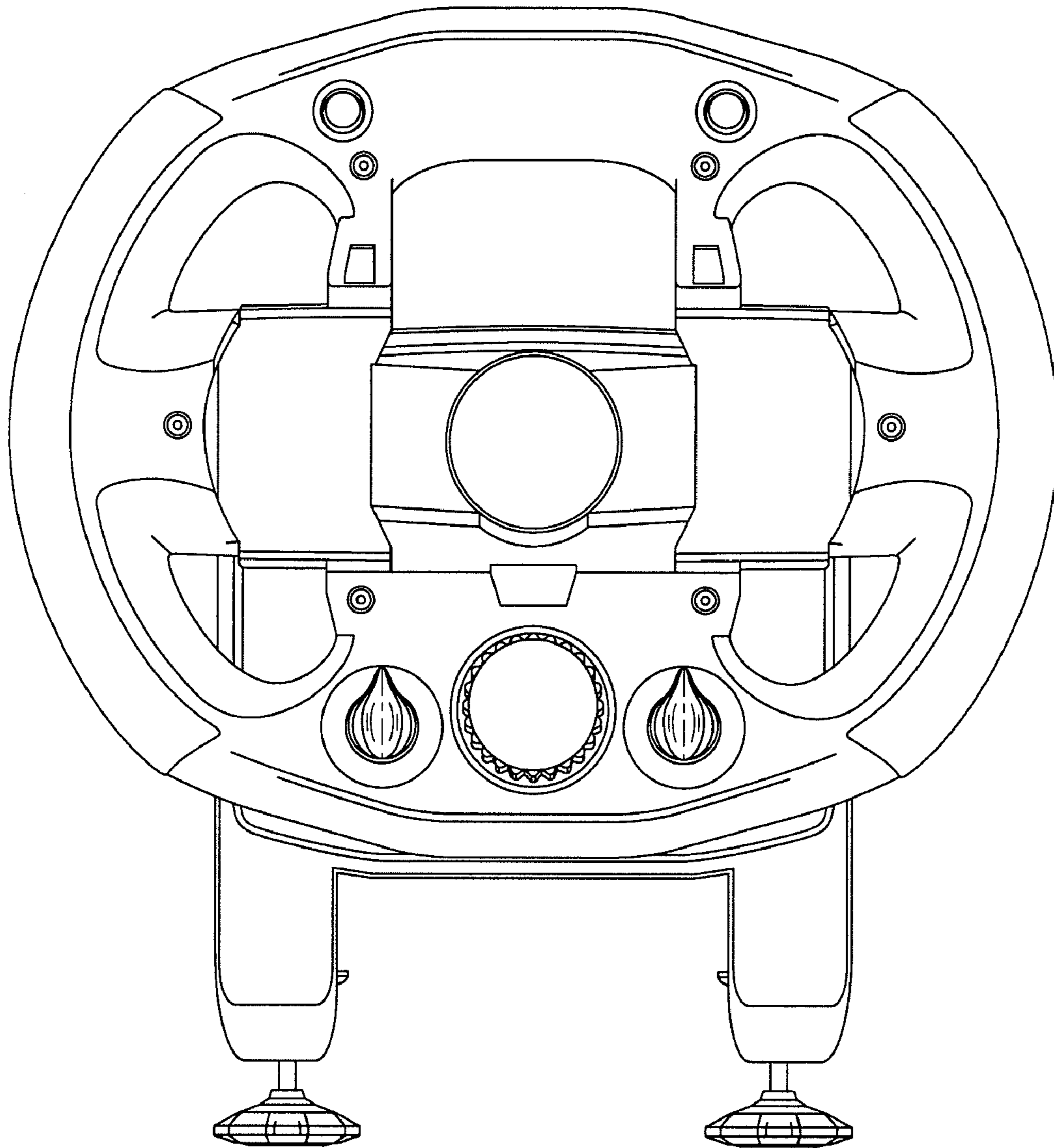


FIG. 3

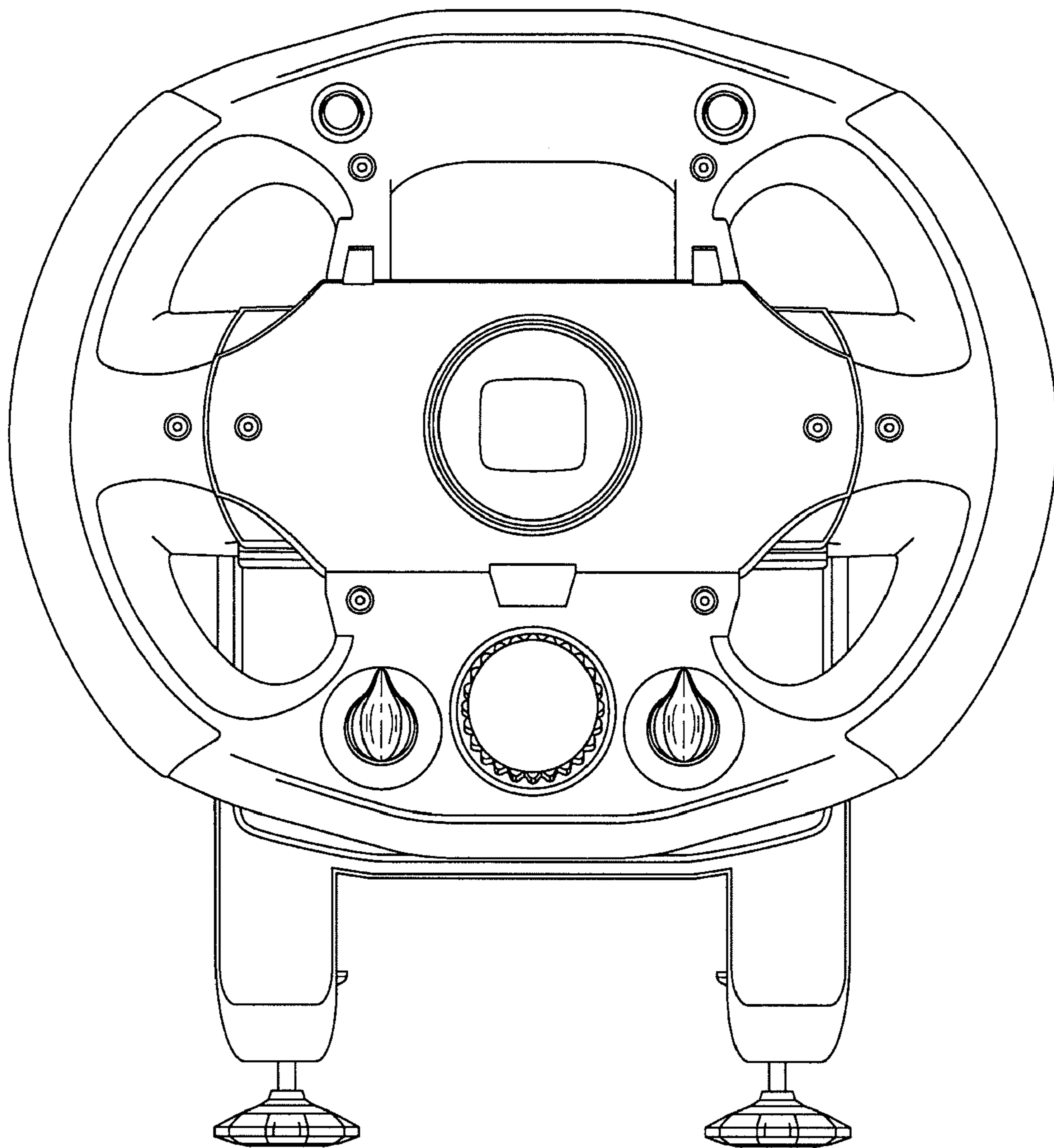


FIG. 4

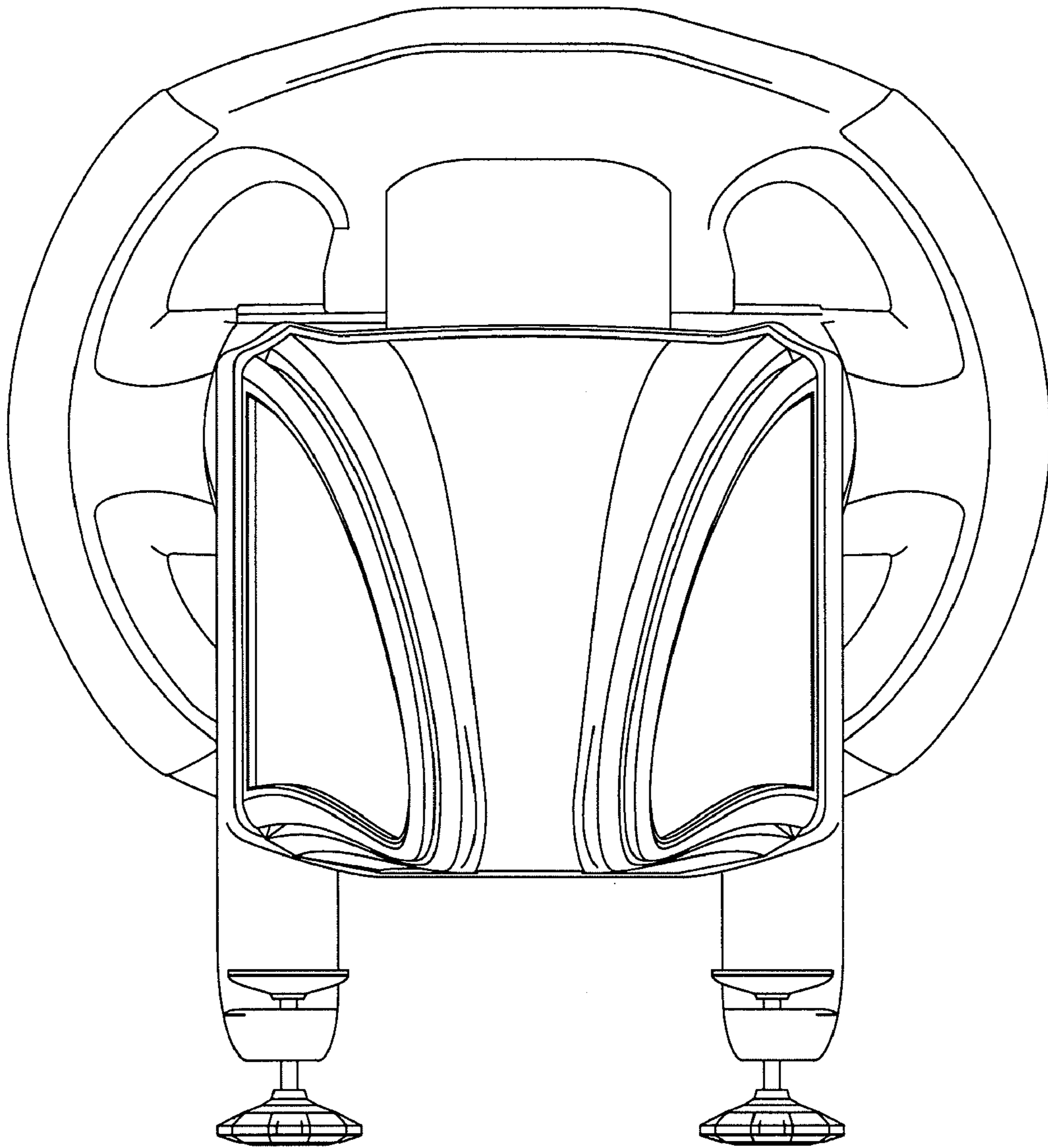


FIG. 5

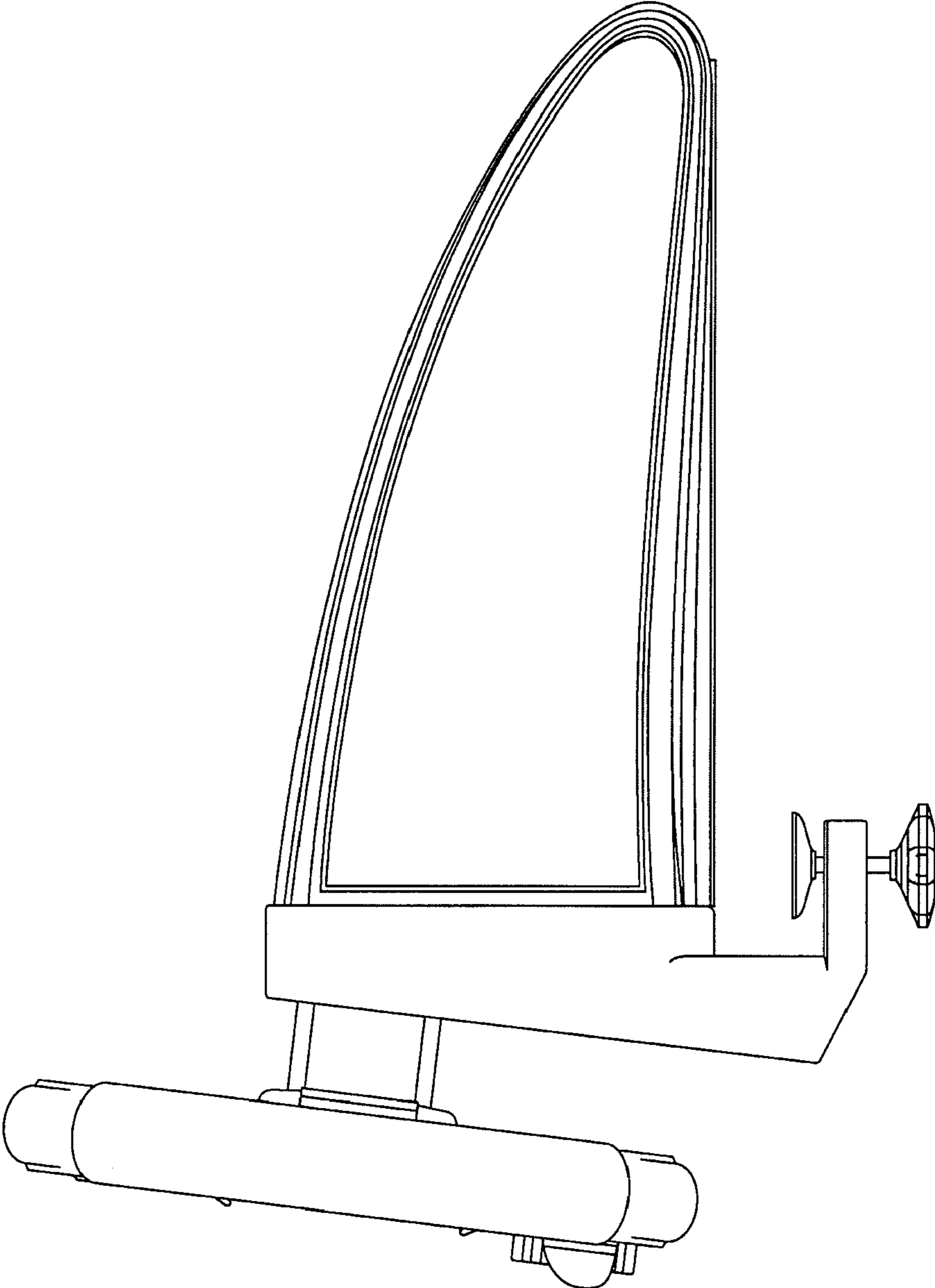


FIG. 6

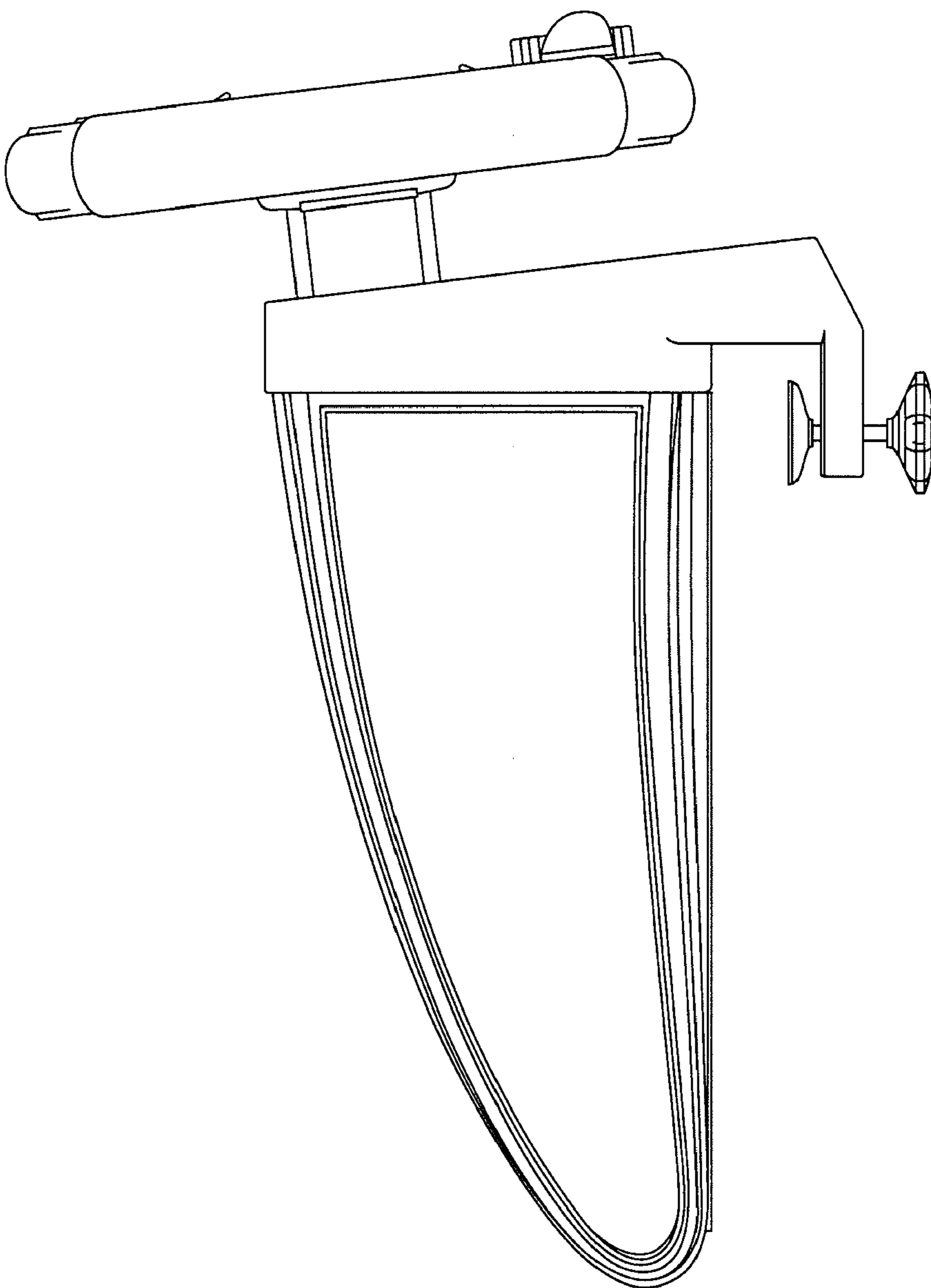


FIG. 7



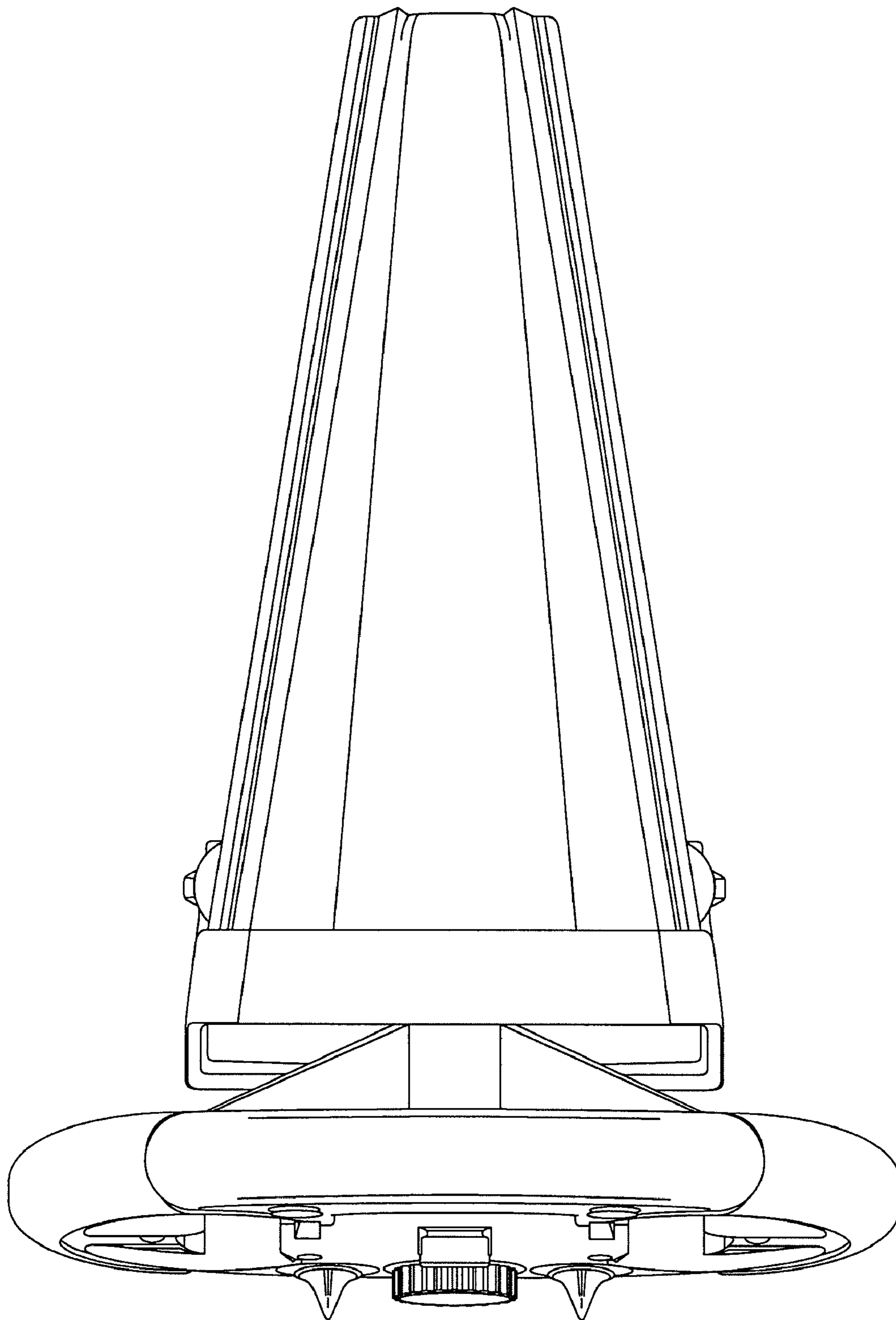


FIG. 8

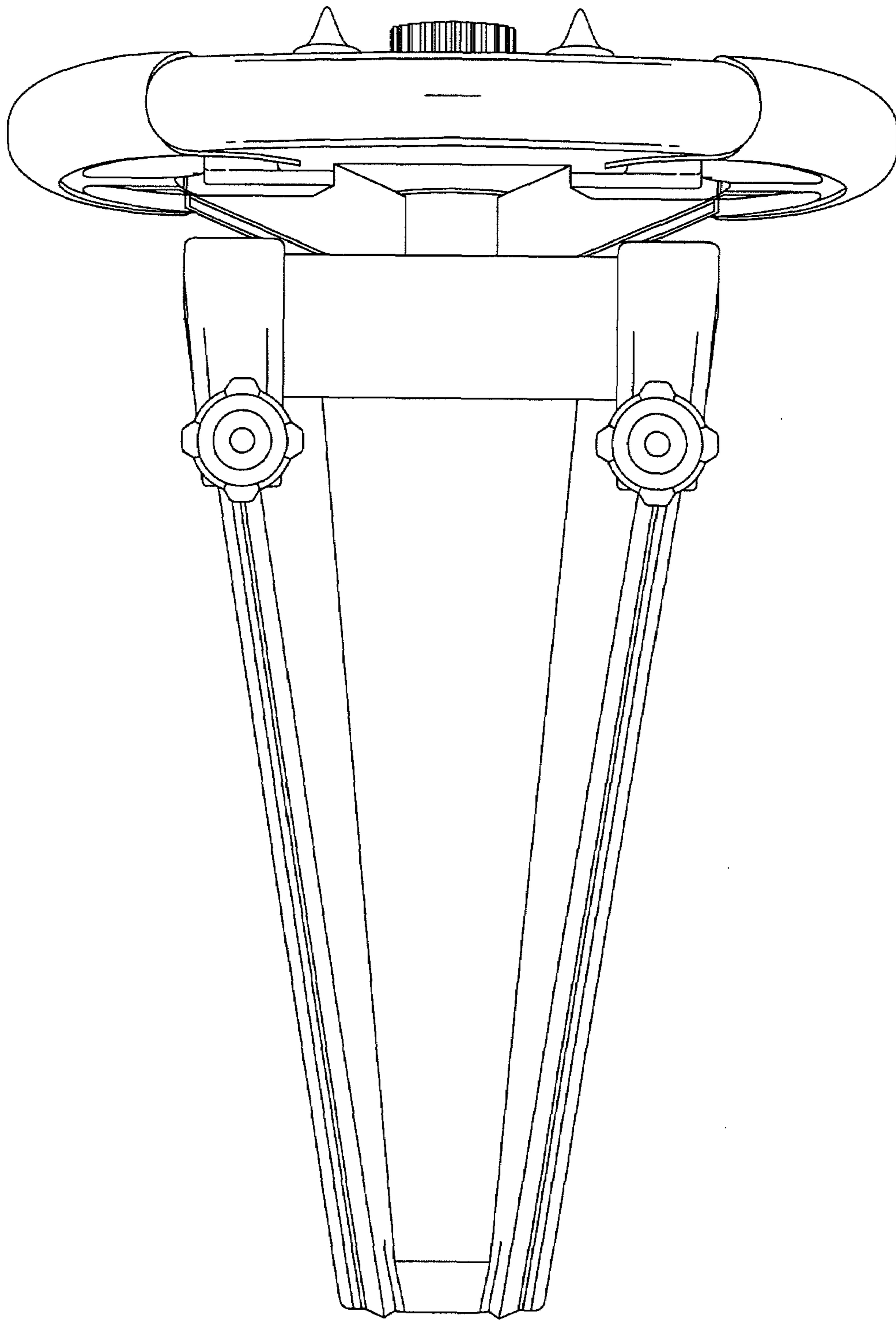


FIG. 9