



US00D573192S

(12) **United States Design Patent**
Lau

(10) **Patent No.:** **US D573,192 S**
(45) **Date of Patent:** **** Jul. 15, 2008**

(54) **INTEGRATED TABBED NOTE AND CLIP KIT**

(76) Inventor: **Janet K. Lau**, 1937 Abreu Way, Union City, CA (US) 94587

(**) Term: **14 Years**

(21) Appl. No.: **29/277,710**

(22) Filed: **Mar. 7, 2007**

(51) **LOC (8) Cl.** **19-02**

(52) **U.S. Cl.** **D19/65**

(58) **Field of Classification Search** D3/263,
D3/295, 302, 304, 313, 319; D6/475, 512,
D6/515, 629; D9/414, 432; D19/1, 2, 5,
D19/6, 34, 65, 75, 86, 90, 91, 99, 100; D20/27,
D20/40, 43; 24/67.3, 67 R, 67.9, 489, 67.11,
24/531, 545, 546, 547, 551, 552, 555; 40/300,
40/301, 302, 360, 384, 641, 649, 653, 658,
40/659, 666; 116/236, 237; 206/39, 214,
206/215, 223, 268, 425, 449, 470, 576, 736,
206/183

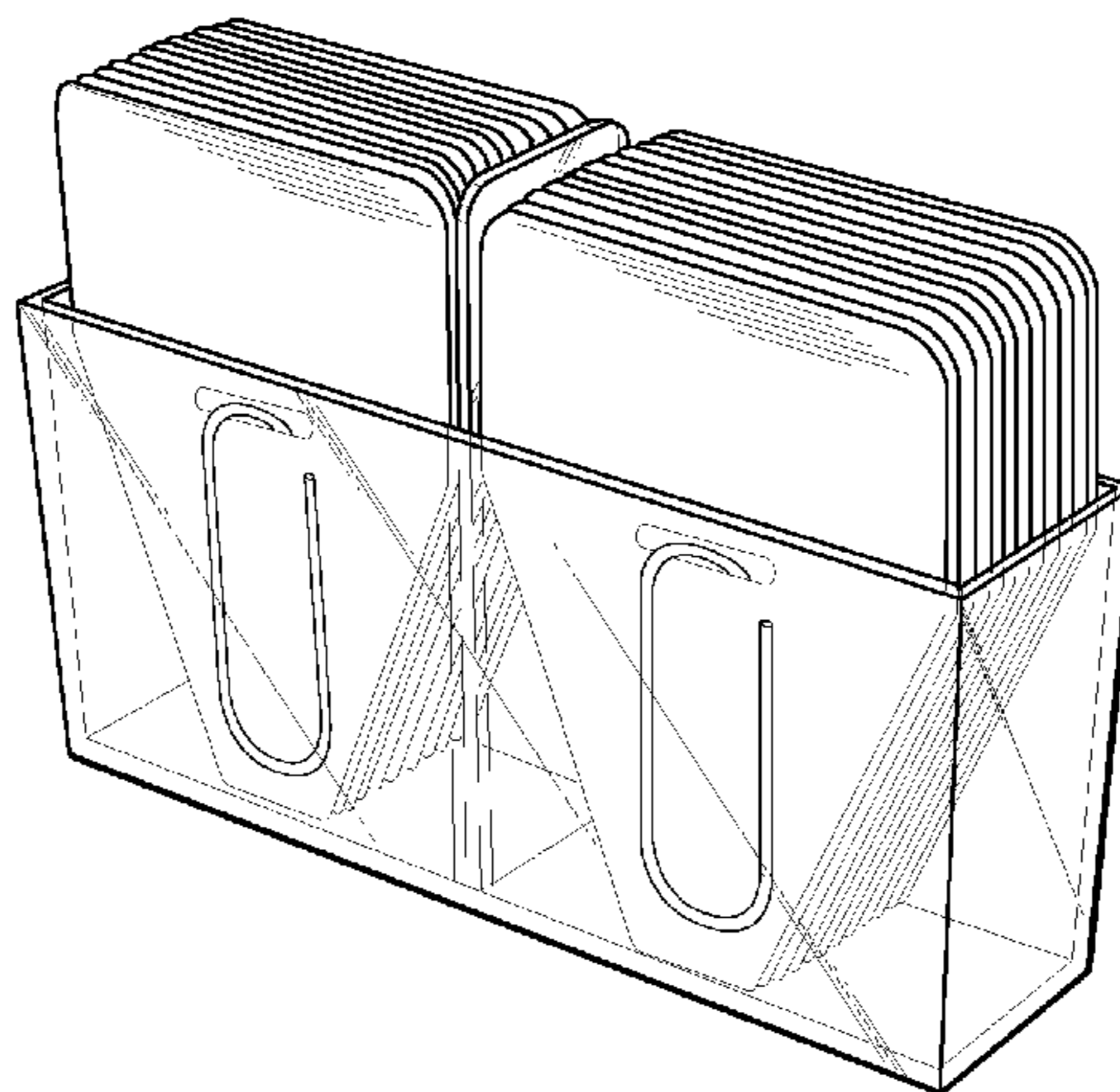
See application file for complete search history.

(56) **References Cited**

U.S. PATENT DOCUMENTS

332,327 A	12/1885	Clark
863,265 A	8/1907	Crouse
876,252 A	1/1908	Baker
962,397 A	6/1910	Whitmore
1,052,505 A	2/1913	Munger et al.
1,123,008 A	12/1914	Rice
1,133,664 A *	3/1915	Plummer 24/555
1,158,940 A	11/1915	Litt et al.
1,178,113 A	4/1916	Turton et al.
D50,594 S	4/1917	Voges
1,345,365 A	7/1920	Hutchison
1,465,576 A	8/1923	Biggs
1,501,067 A	7/1924	Schaffert
1,524,478 A	1/1925	Hunter
1,587,335 A	6/1926	Kline
1,661,165 A	3/1928	Cameron
1,778,031 A	10/1930	Kinch
1,802,980 A	4/1931	Marsh

1,826,580 A	10/1931	Spinney
1,840,604 A	1/1932	Randall
1,894,906 A	1/1933	Henry
1,914,671 A	6/1933	O'Neil
1,976,465 A	10/1934	Thomson
1,977,096 A	10/1934	Straubel
1,985,866 A	12/1934	Lankenau
1,997,894 A	4/1935	Woodley
2,008,019 A	7/1935	Horlick, Jr.
D104,956 S	6/1937	Baker
2,097,690 A	11/1937	Ferngren
2,118,043 A	5/1938	Goza
2,156,743 A	5/1939	Skrebba
2,218,438 A	10/1940	Robinson
2,323,552 A	7/1943	Marion
D136,639 S	11/1943	Hoffman
2,362,445 A	11/1944	Blodgett
2,415,248 A	2/1947	Kenna et al.
2,420,021 A	5/1947	Straubel
2,575,257 A	11/1951	Boulware
2,623,311 A	12/1952	Condon
2,695,026 A	11/1954	Broneer
2,911,104 A	11/1959	Hooper
3,073,046 A	1/1963	Condon
3,092,301 A	6/1963	Selle
3,123,924 A	3/1964	Roberts
3,225,469 A	12/1965	Chase
3,247,602 A	4/1966	Hamilton et al.
3,290,810 A	12/1966	Morena
3,360,877 A	1/1968	Estep
3,813,813 A	6/1974	Powell
3,934,368 A	1/1976	Fearing
D241,342 S	9/1976	Carroll
4,012,087 A *	3/1977	Edwards, Jr. 312/183
D259,748 S *	7/1981	Outcalt D3/263
4,300,268 A *	11/1981	Wilson 24/67 R
D268,848 S	5/1983	Lorber
4,384,417 A	5/1983	Thompson
4,425,724 A	1/1984	Scott
4,597,139 A *	7/1986	Lau 24/546
4,602,712 A *	7/1986	Williams 206/39
4,646,455 A	3/1987	Gardner
4,667,622 A *	5/1987	Breault 119/165
4,691,458 A	9/1987	Scott
D295,540 S	5/1988	Rabig
D299,094 S	12/1988	Mills
4,854,464 A *	8/1989	Kim 220/528
4,878,302 A	11/1989	Jowsey
4,951,408 A	8/1990	Banks



D314,012	S	1/1991	Klodt	
D327,183	S	6/1992	Meyer	
5,199,203	A	4/1993	Jones	
D337,940	S	8/1993	Aquino	
D348,390	S	7/1994	Van Ness	
D352,855	S	11/1994	Wolff	
5,481,784	A	1/1996	Sinaiko	
D368,487	S *	4/1996	Lindberg	D19/1
5,507,459	A	4/1996	Kiera	
D382,405	S	8/1997	Ohayon	
D383,789	S	9/1997	Shyu	
5,695,219	A	12/1997	Crawford	
5,870,802	A *	2/1999	Goldman	24/67.9
5,887,900	A *	3/1999	Raymond	281/22
D409,245	S	5/1999	Wolff	
D416,040	S	11/1999	Kasom et al.	
5,996,130	A	12/1999	Verhines	
D443,762	S *	6/2001	Park	D3/295
6,272,727	B1 *	8/2001	Fish	29/428
D452,153	S	12/2001	Dardashti	
D465,525	S	11/2002	Dilday	
D474,688	S	5/2003	Litts	
D476,172	S	6/2003	Bourne, Sr.	
D503,042	S *	3/2005	Gutierrez et al.	D3/302
6,959,508	B2 *	11/2005	Watkins et al.	40/641
D535,102	S *	1/2007	Matsuda	D3/302
D540,869	S *	4/2007	Lau	D19/65
D541,346	S *	4/2007	Lau	D19/65
2004/0064920	A1 *	4/2004	Arduini	24/67.9
2004/0221493	A1	11/2004	LaMalfa	
2005/0217078	A1	10/2005	Groch et al.	
2006/0000133	A1	1/2006	Windorski	
2006/0107496	A1 *	5/2006	Cheng	24/67.9
2007/0067966	A1 *	3/2007	Flores	24/67.3
2007/0209264	A1 *	9/2007	Lau	40/641

FOREIGN PATENT DOCUMENTS

JP	09-071065	A	3/1997
JP	2001-353992	A	12/2001

* cited by examiner

Primary Examiner—Cathron Brooks
 Assistant Examiner—Austin Murphy
 (74) Attorney, Agent, or Firm—Aka Chan LLP

(57) CLAIM

The ornamental design for an integrated tabbed note and clip kit, as shown and described.

DESCRIPTION

FIG. 1 shows a perspective view of a first embodiment of a design for an integrated tabbed note and clip kit.
 FIG. 2 shows a top view of the first embodiment.
 FIG. 3 shows a front view of the first embodiment.
 FIG. 4 shows a right-side view of the first embodiment. A left-side view of this embodiment is a mirror image of this figure.
 FIG. 5 shows a back view of the first embodiment.
 FIG. 6 shows a bottom view of the first embodiment.
 FIG. 7 shows a perspective view of a second embodiment of a design for an integrated tabbed note and clip kit.
 FIG. 8 shows a top view of the second embodiment.
 FIG. 9 shows a front view of the second embodiment.

FIG. 10 shows a right-side view of the second embodiment. A left-side view of this embodiment is a mirror image of this figure.
 FIG. 11 shows a back view of the second embodiment.
 FIG. 12 shows a bottom view of the second embodiment.
 FIG. 13 shows a perspective view of a third embodiment of a design for an integrated tabbed note and clip kit.
 FIG. 14 shows a top view of the third embodiment.
 FIG. 15 shows a front view of the third embodiment.
 FIG. 16 shows a right-side view of the third embodiment. A left-side view of this embodiment is a mirror image of this figure.
 FIG. 17 shows a back view of the third embodiment.
 FIG. 18 shows a bottom view of the third embodiment.
 FIG. 19 shows a perspective view of a fourth embodiment of a design for an integrated tabbed note and clip kit.
 FIG. 20 shows a top view of the fourth embodiment.
 FIG. 21 shows a front view of the fourth embodiment.
 FIG. 22 shows a right-side view of the fourth embodiment. A left-side view of this embodiment is a mirror image of this figure.
 FIG. 23 shows a back view of the fourth embodiment.
 FIG. 24 shows a bottom view of the fourth embodiment.
 FIG. 25 shows a perspective view of a fifth embodiment of a design for an integrated tabbed note and clip kit.
 FIG. 26 shows a top view of the fifth embodiment.
 FIG. 27 shows a front view of the fifth embodiment.
 FIG. 28 shows a right-side view of the fifth embodiment. A left-side view of this embodiment is a mirror image of this figure.
 FIG. 29 shows a back view of the fifth embodiment.
 FIG. 30 shows a bottom view of the fifth embodiment.
 FIG. 31 shows a perspective view of a sixth embodiment of a design for an integrated tabbed note and clip kit.
 FIG. 32 shows a top view of the sixth embodiment.
 FIG. 33 shows a front view of the sixth embodiment.
 FIG. 34 shows a right-side view of the sixth embodiment. A left-side view of this embodiment is a mirror image of this figure.
 FIG. 35 shows a back view of the sixth embodiment.
 FIG. 36 shows a bottom view of the sixth embodiment.
 FIG. 37 shows a perspective view of a seventh embodiment of a design for an integrated tabbed note and clip kit.
 FIG. 38 shows a top view of the seventh embodiment.
 FIG. 39 shows a front view of the seventh embodiment.
 FIG. 40 shows a right-side view of the seventh embodiment. A left-side view of this embodiment is a mirror image of this figure.
 FIG. 41 shows a back view of the seventh embodiment.
 FIG. 42 shows a bottom view of the seventh embodiment.
 FIG. 43 shows a perspective view of an eighth embodiment of a design for an integrated tabbed note and clip kit.
 FIG. 44 shows a top view of the eighth embodiment.
 FIG. 45 shows a front view of the eighth embodiment.

FIG. 46 shows a right-side view of the eighth embodiment. A left-side view of this embodiment is a mirror image of this figure.

FIG. 47 shows a back view of the eighth embodiment.

FIG. 48 shows a bottom view of the eighth embodiment.

FIG. 49 shows a perspective view of a ninth embodiment of a design for an integrated tabbed note and clip kit.

FIG. 50 shows a top view of the ninth embodiment.

FIG. 51 shows a front view of the ninth embodiment.

FIG. 52 shows a right-side view of the ninth embodiment. A left-side view of this embodiment is a mirror image of this figure.

FIG. 53 shows a back view of the ninth embodiment.

FIG. 54 shows a bottom view of the ninth embodiment.

FIG. 55 shows a perspective view of a tenth embodiment of a design for an integrated tabbed note and clip kit.

FIG. 56 shows a top view of the tenth embodiment.

FIG. 57 shows a front view of the tenth embodiment.

FIG. 58 shows a right-side view of the tenth embodiment. A left-side view of this embodiment is a mirror image of this figure.

FIG. 59 shows a back view of the tenth embodiment.

FIG. 60 shows a bottom view of the tenth embodiment.

FIG. 61 shows a perspective view of an eleventh embodiment of a design for an integrated tabbed note and clip kit.

FIG. 62 shows a top view of the eleventh embodiment.

FIG. 63 shows a front view of the eleventh embodiment.

FIG. 64 shows a right-side view of the eleventh embodiment. A left-side view of this embodiment is a mirror image of this figure.

FIG. 65 shows a back view of the eleventh embodiment.

FIG. 66 shows a bottom view of the eleventh embodiment.

FIG. 67 shows a perspective view of a twelfth embodiment of a design for an integrated tabbed note and clip kit.

FIG. 68 shows a top view of the twelfth embodiment.

FIG. 69 shows a front view of the twelfth embodiment.

FIG. 70 shows a right-side view of the twelfth embodiment. A left-side view of this embodiment is a mirror image of this figure.

FIG. 71 shows a back view of the twelfth embodiment; and,

FIG. 72 shows a bottom view of the twelfth embodiment.

1 Claim, 24 Drawing Sheets

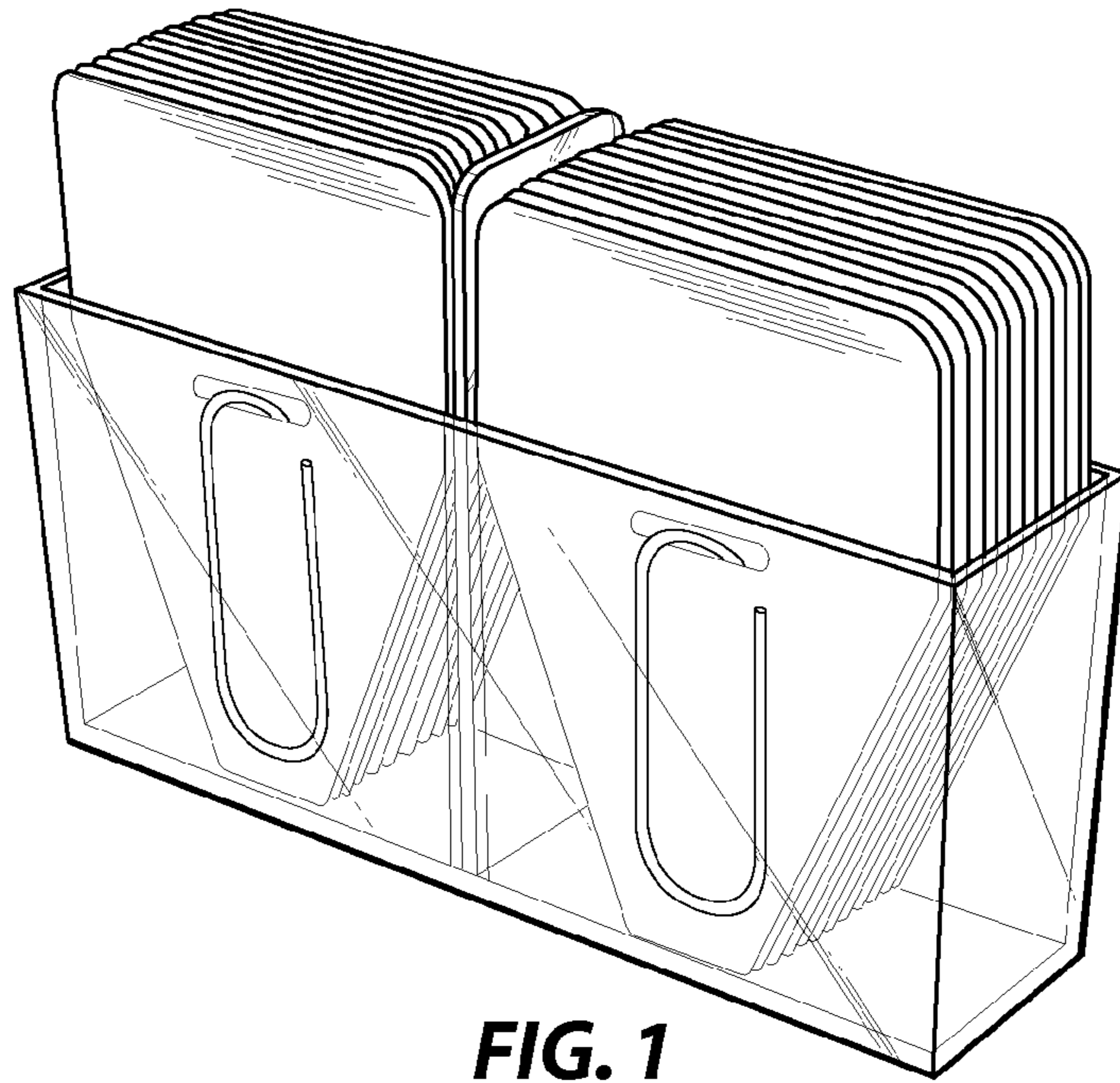


FIG. 1

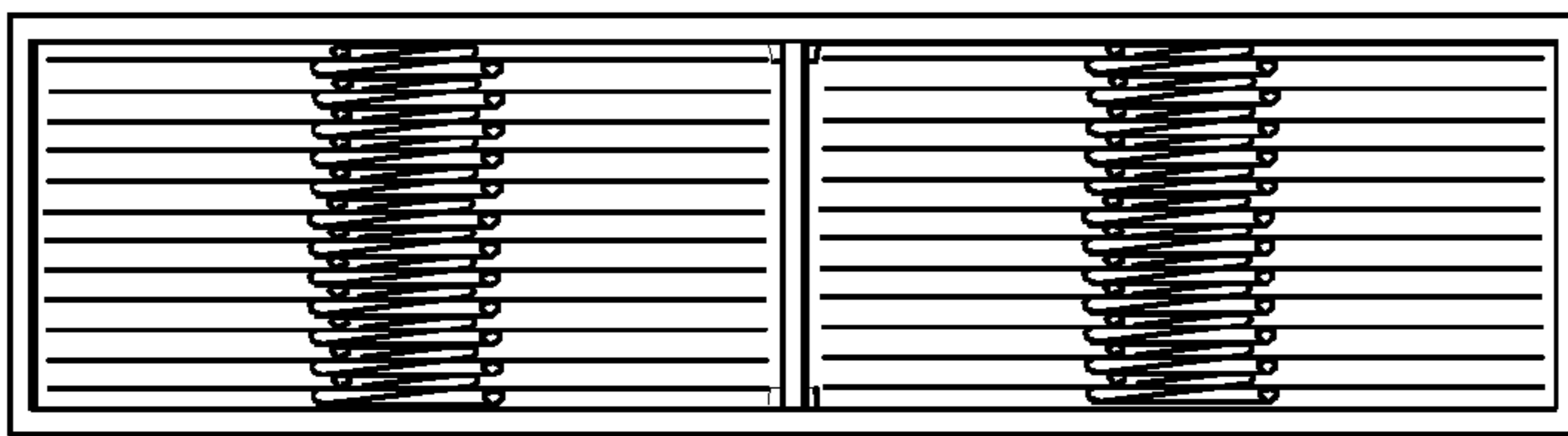


FIG. 2

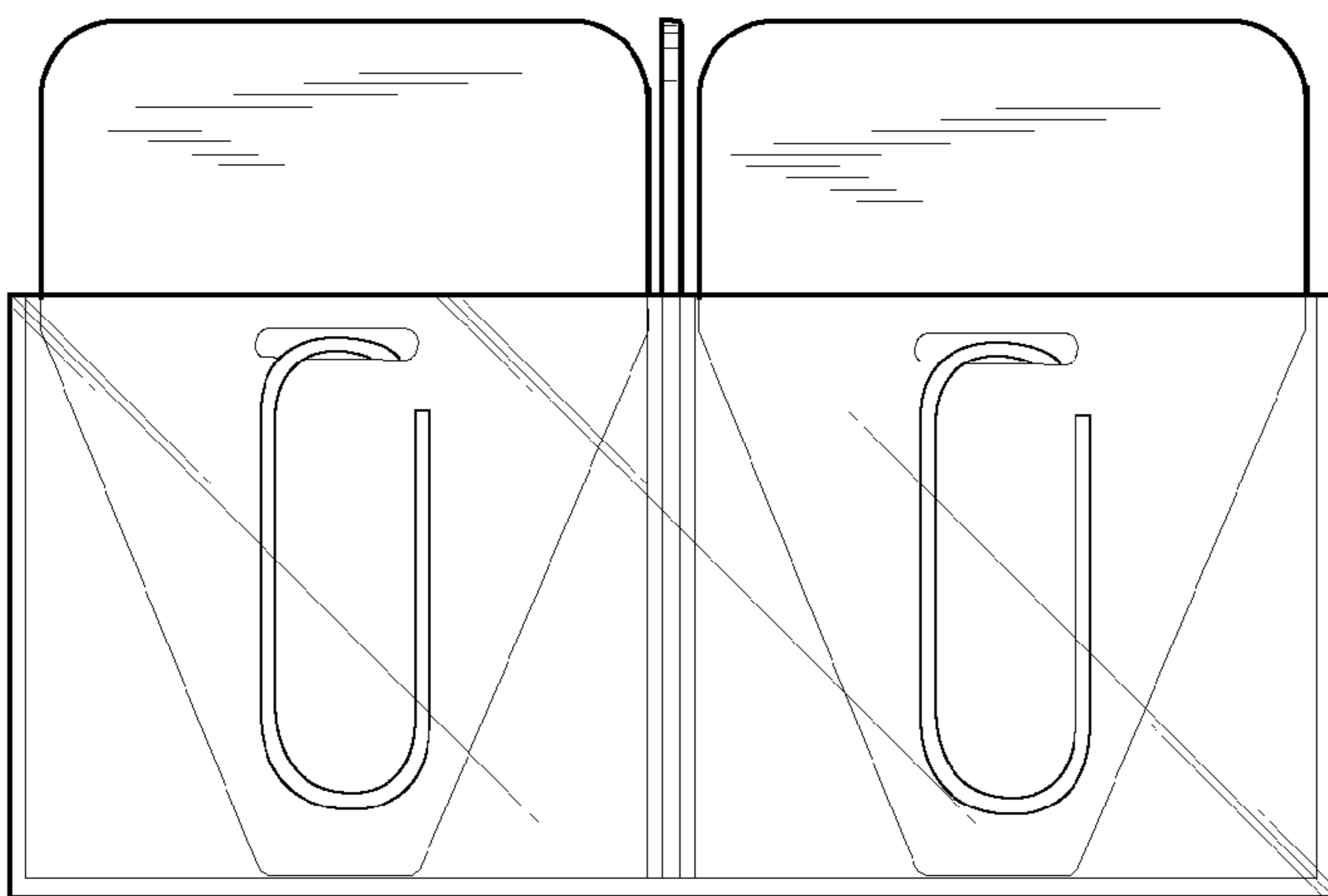


FIG. 3

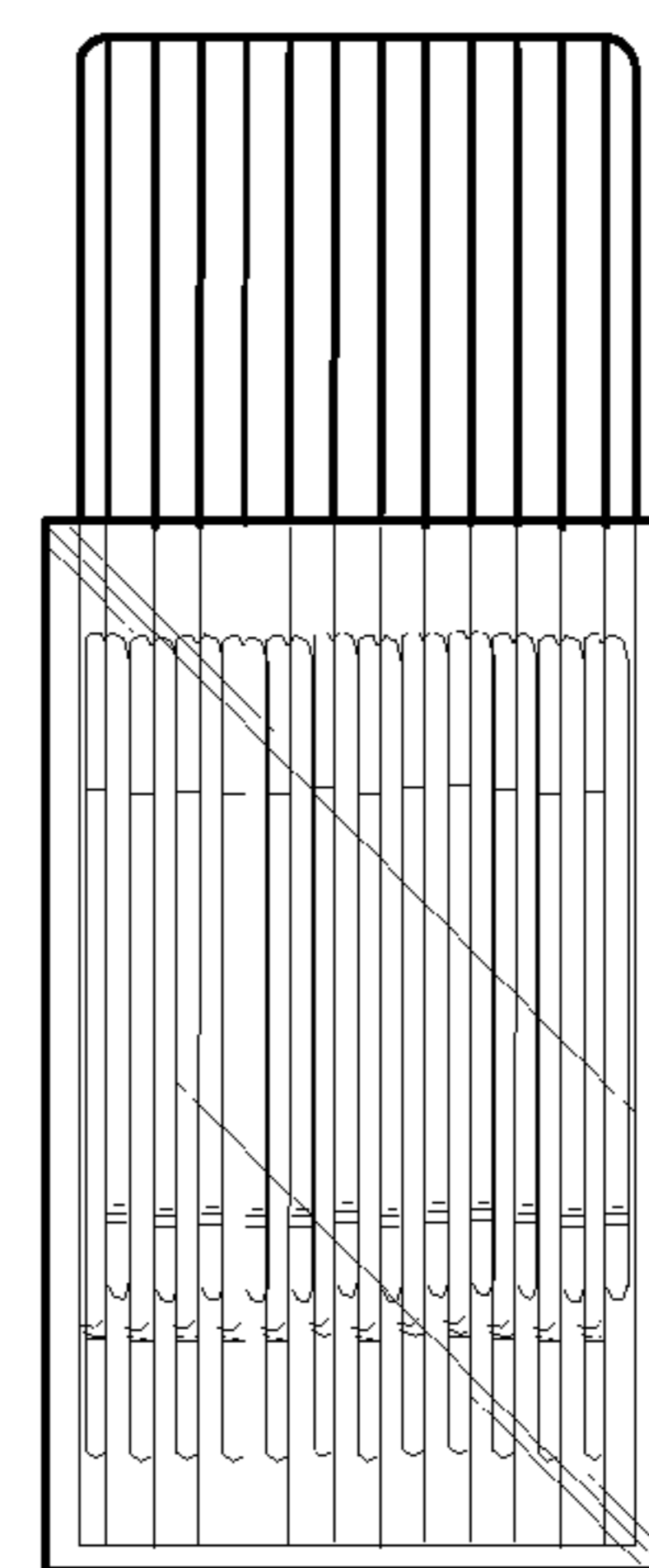


FIG. 4

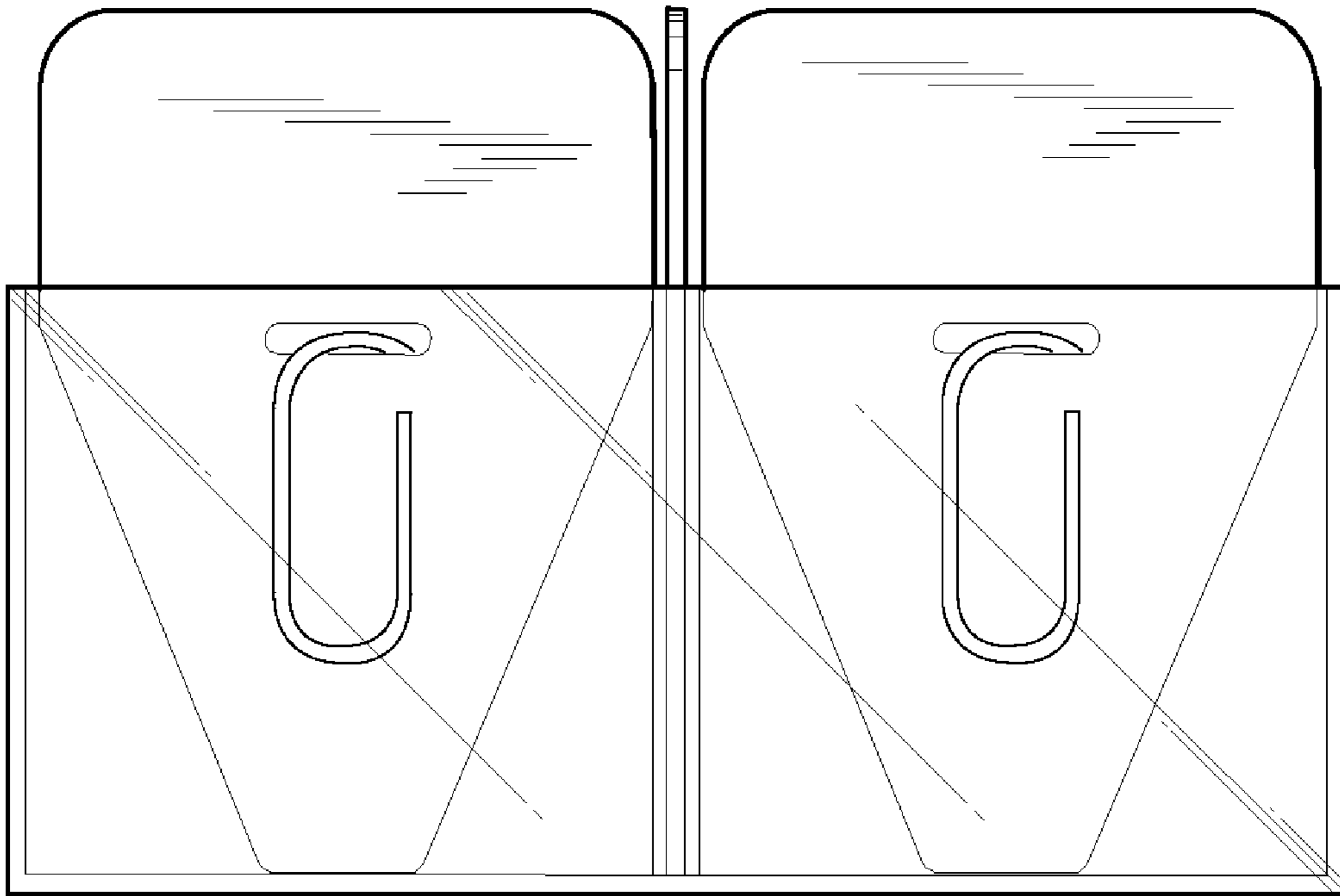


FIG. 5

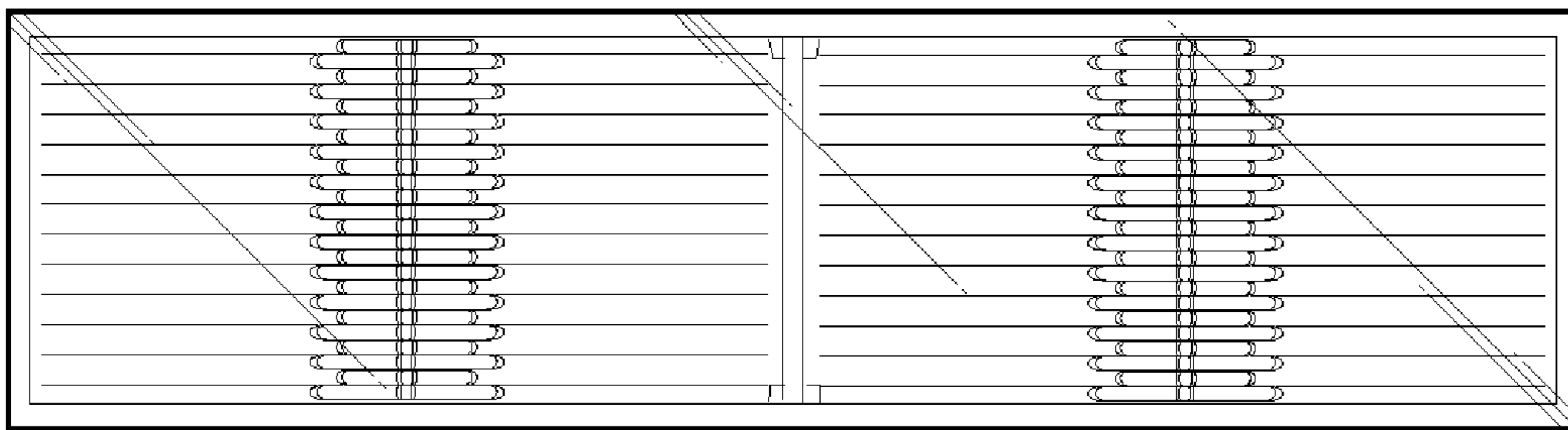


FIG. 6

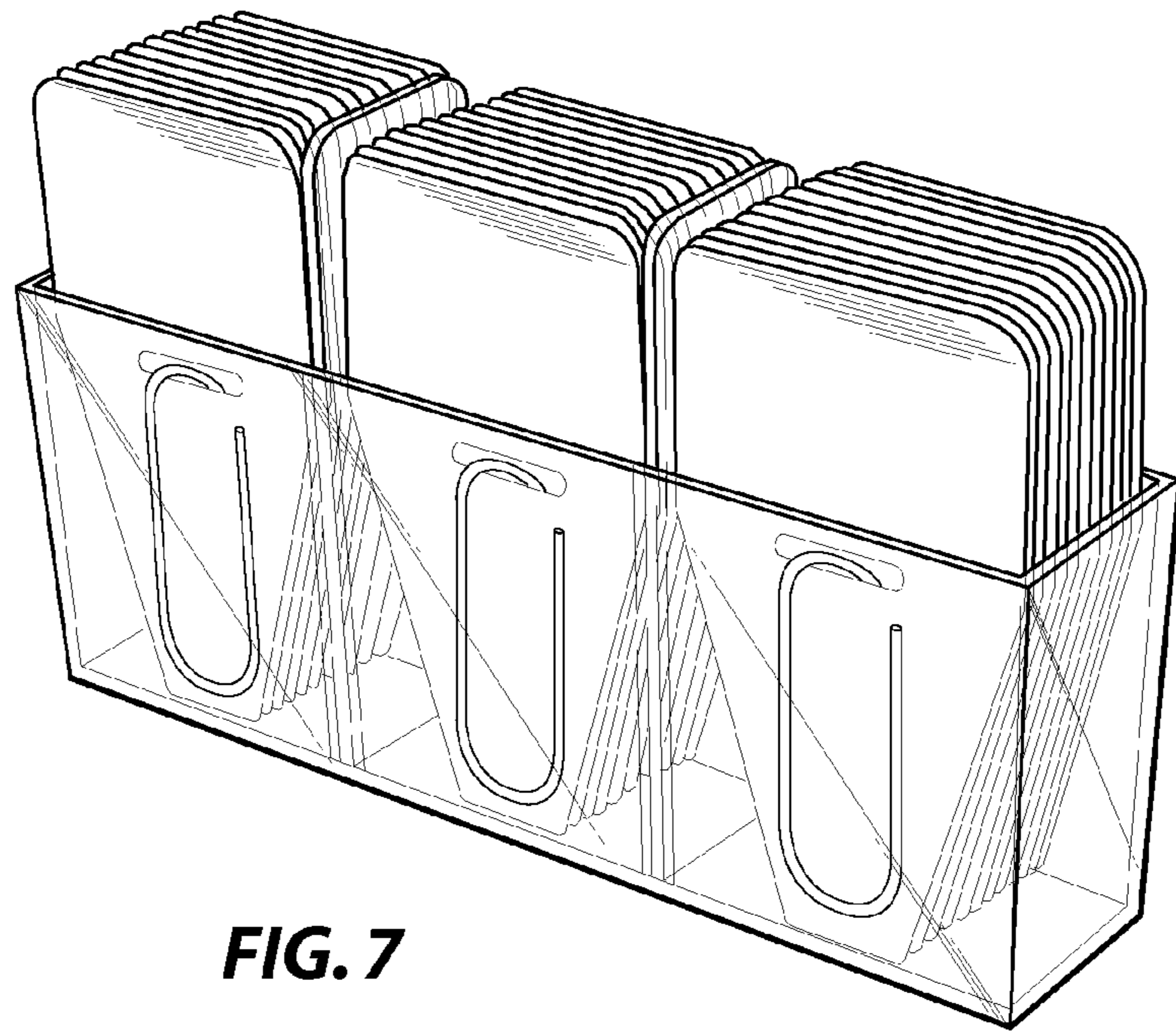


FIG. 7

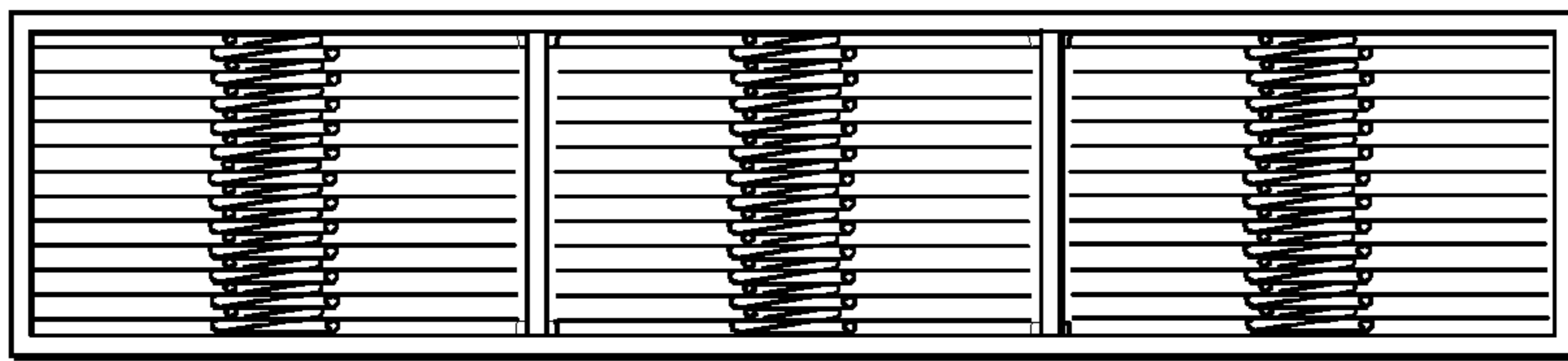


FIG. 8

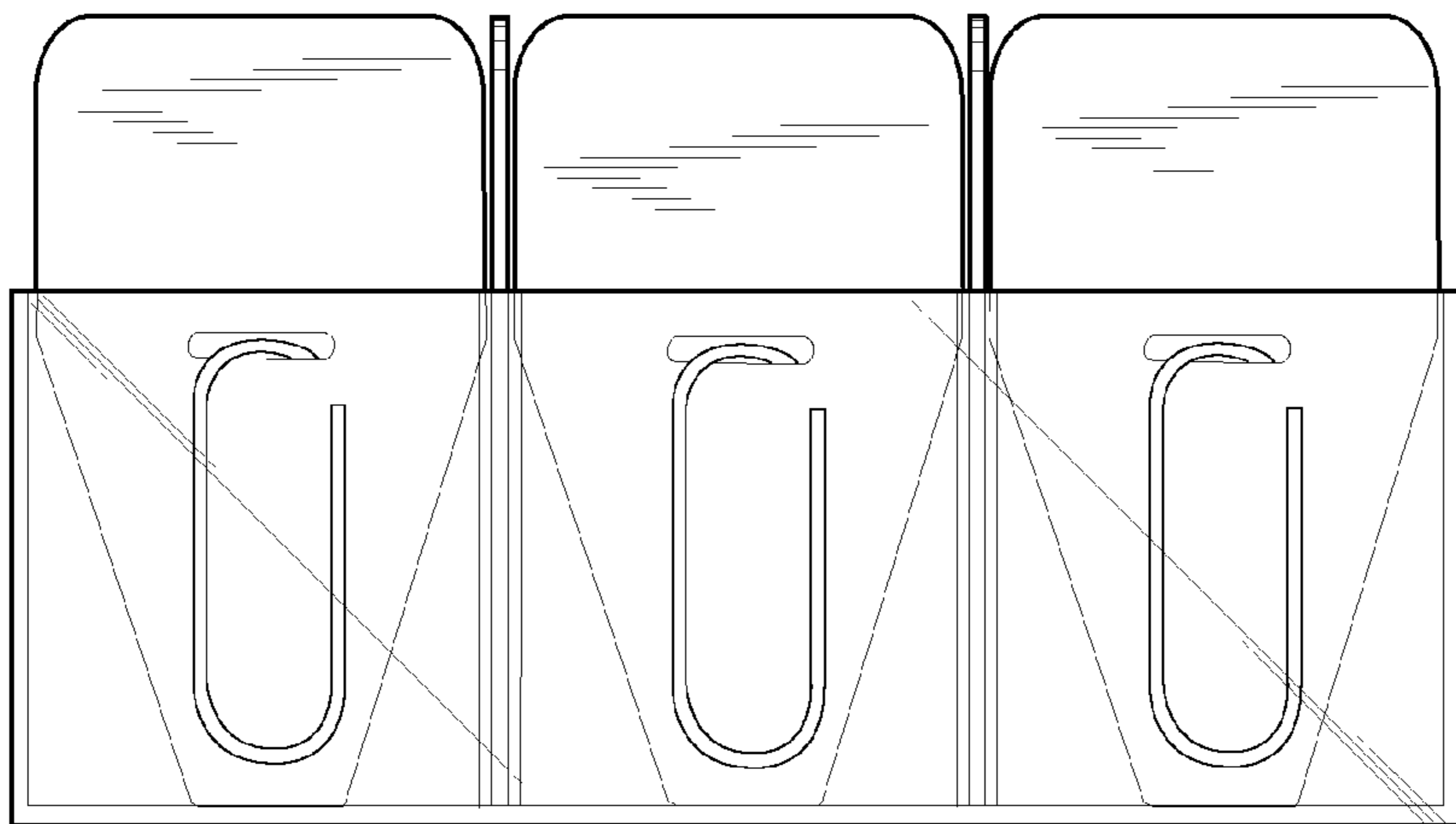


FIG. 9

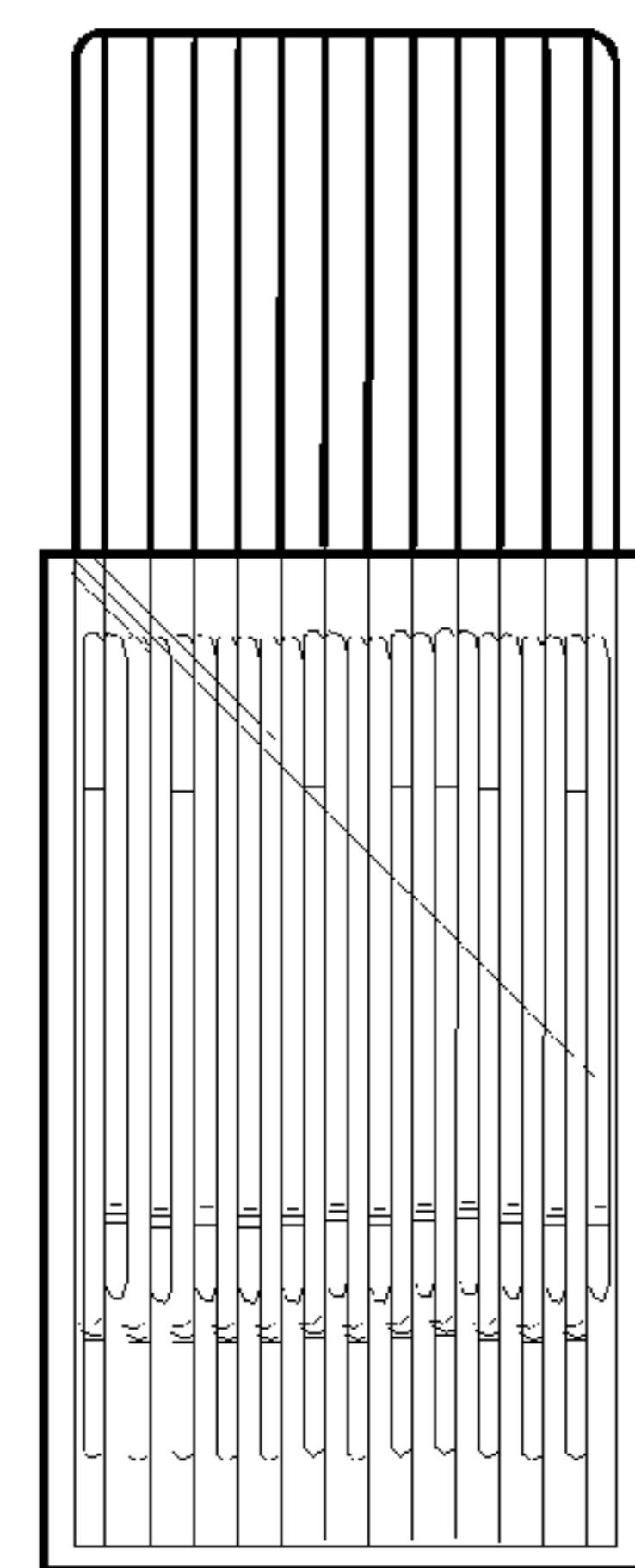


FIG. 10

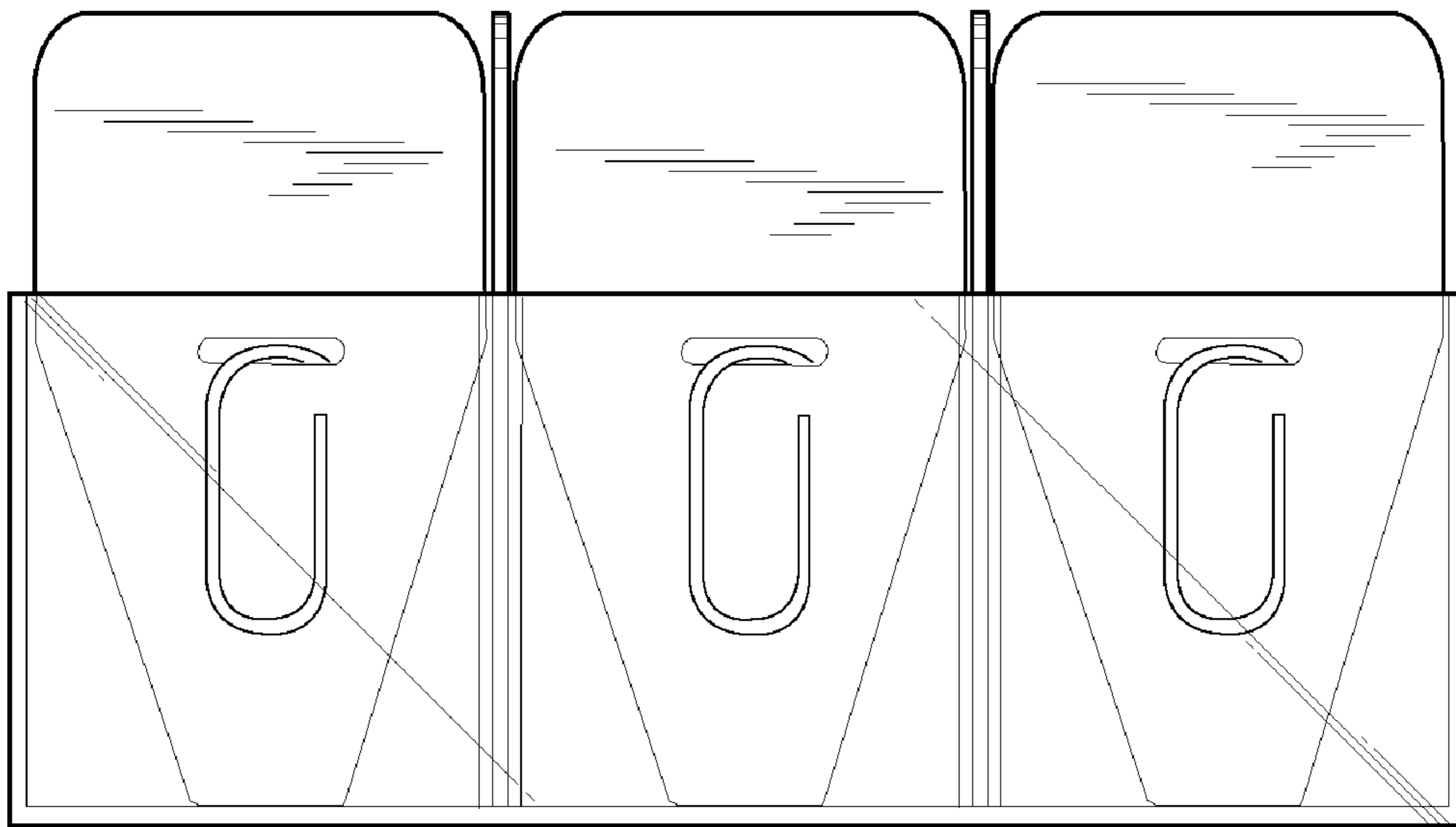


FIG. 11

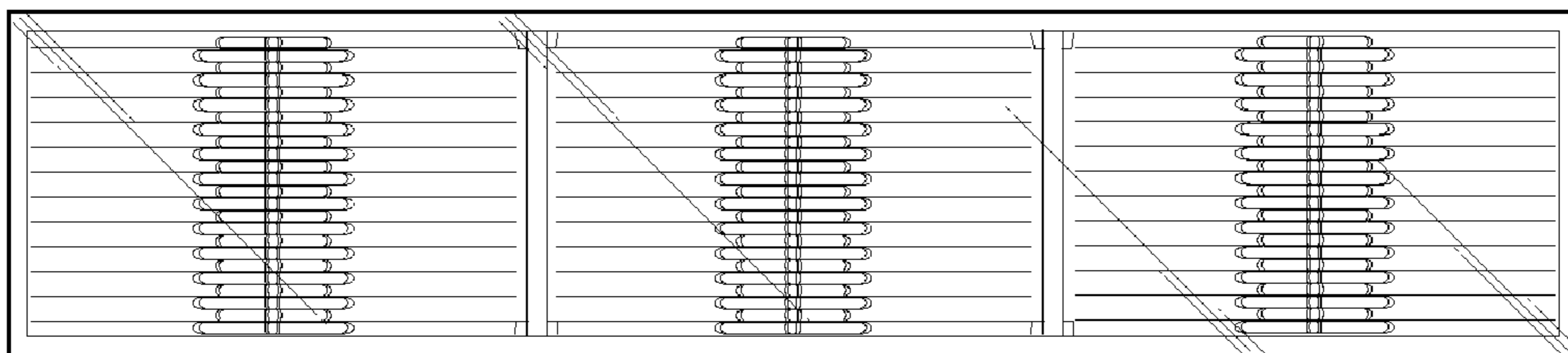


FIG. 12

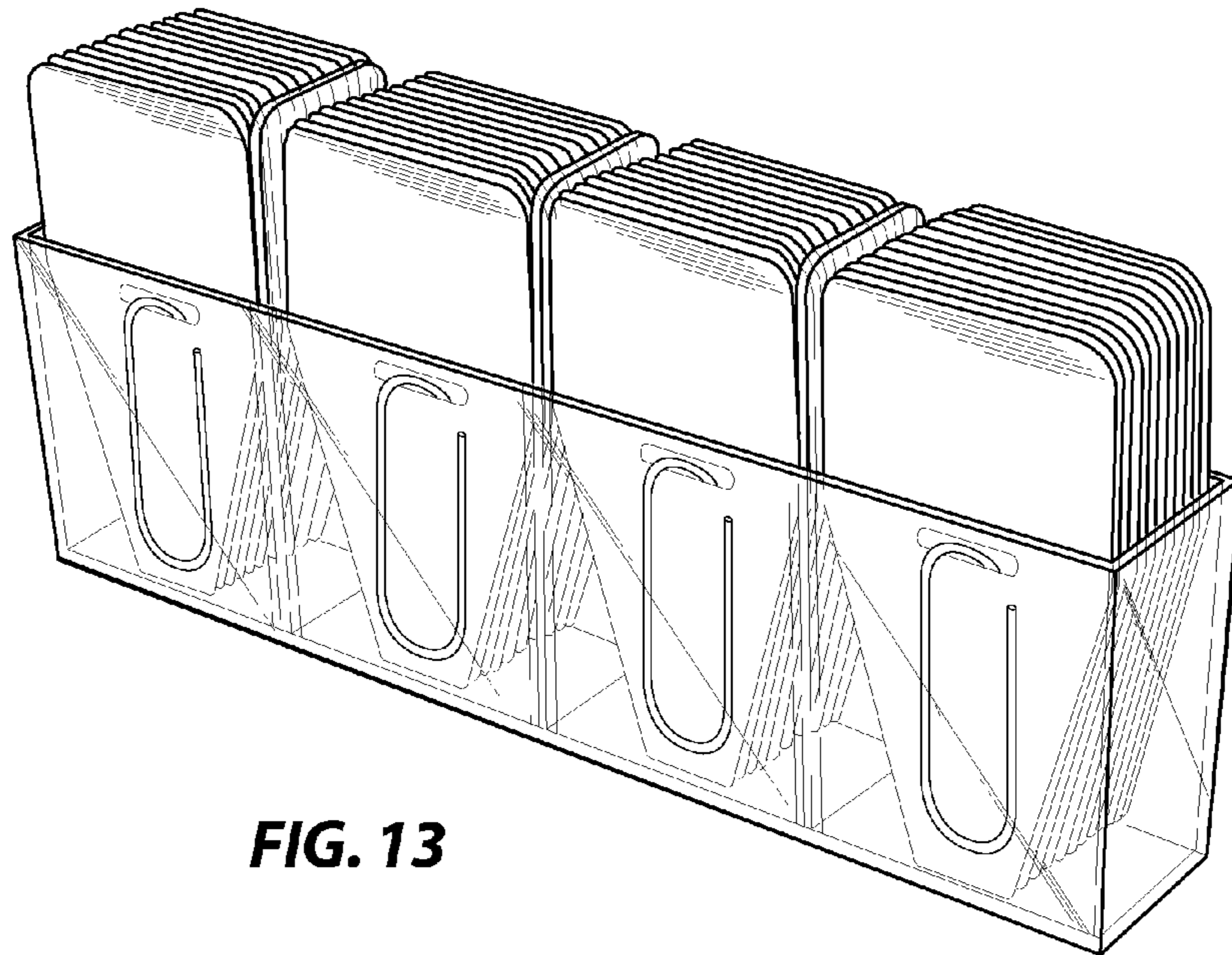


FIG. 13

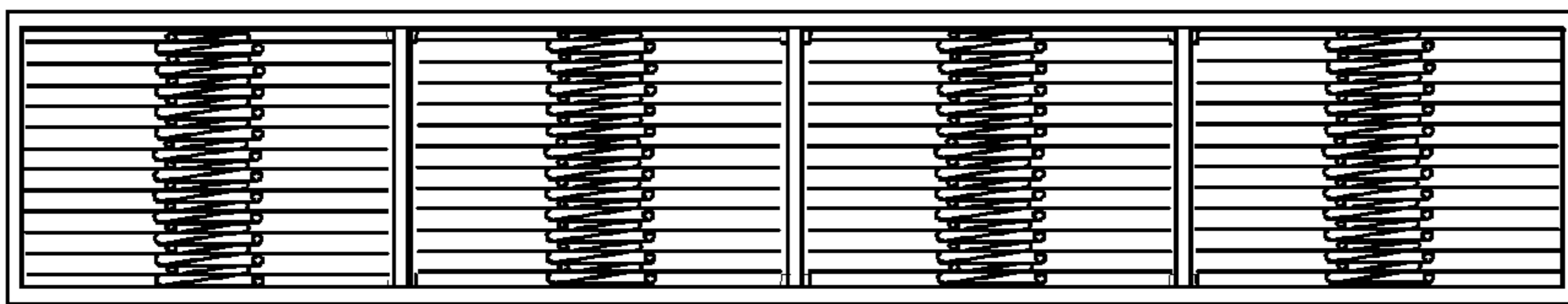


FIG. 14

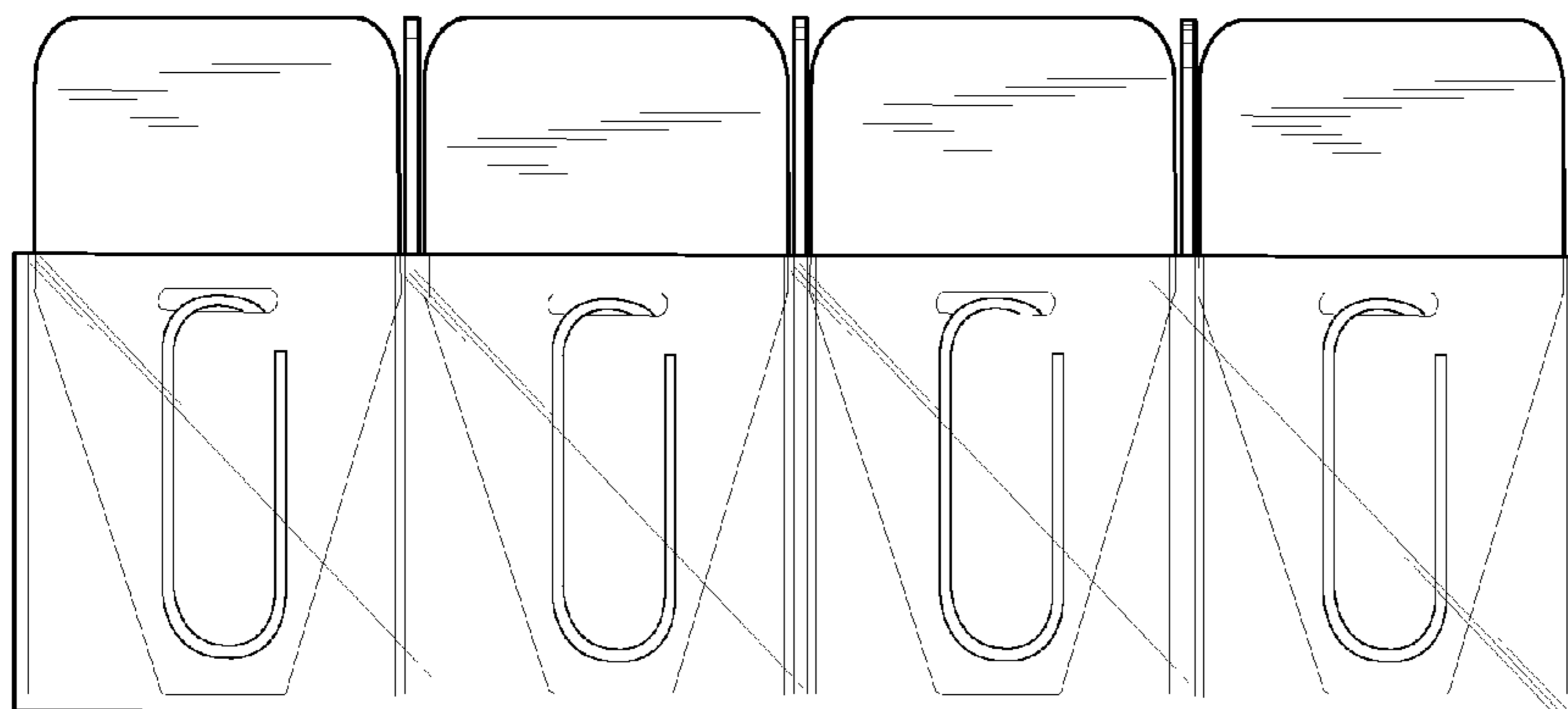


FIG. 15

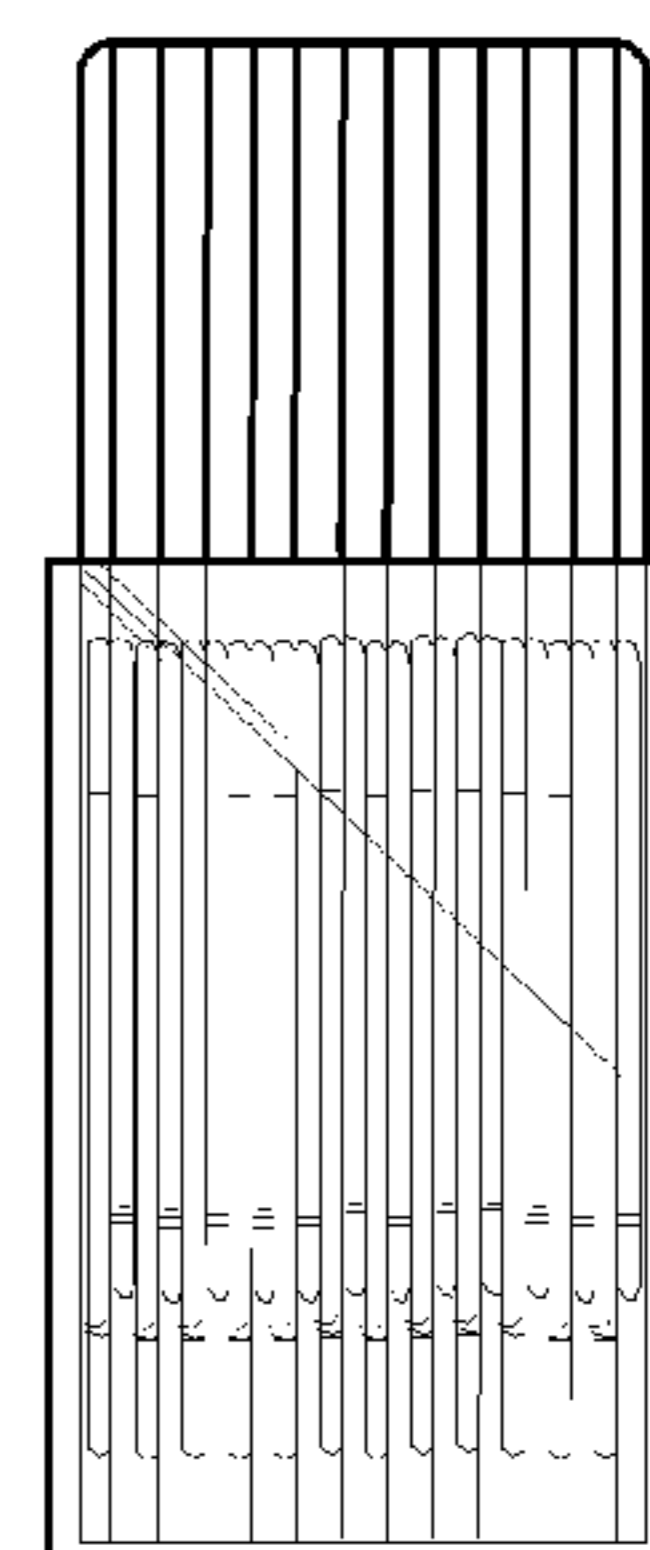


FIG. 16

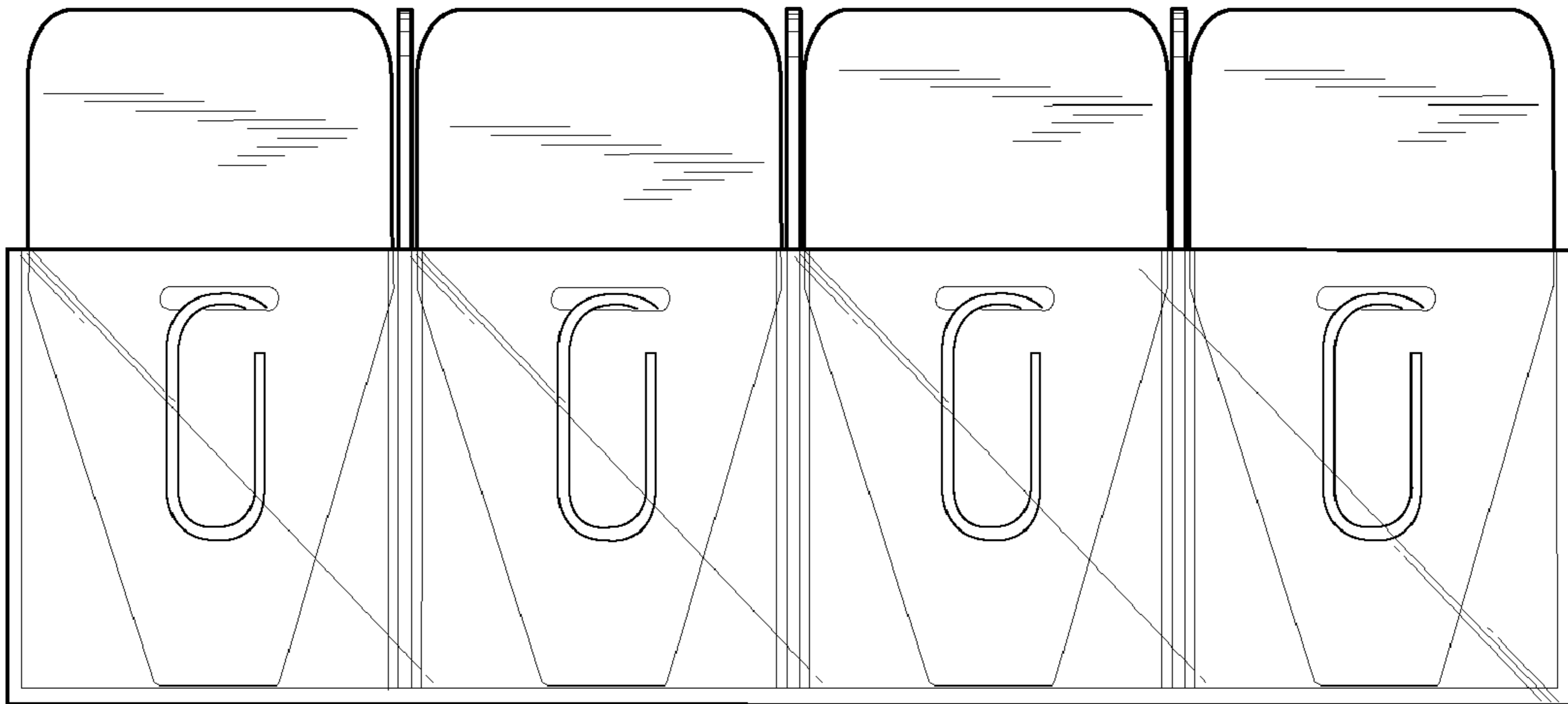


FIG. 17

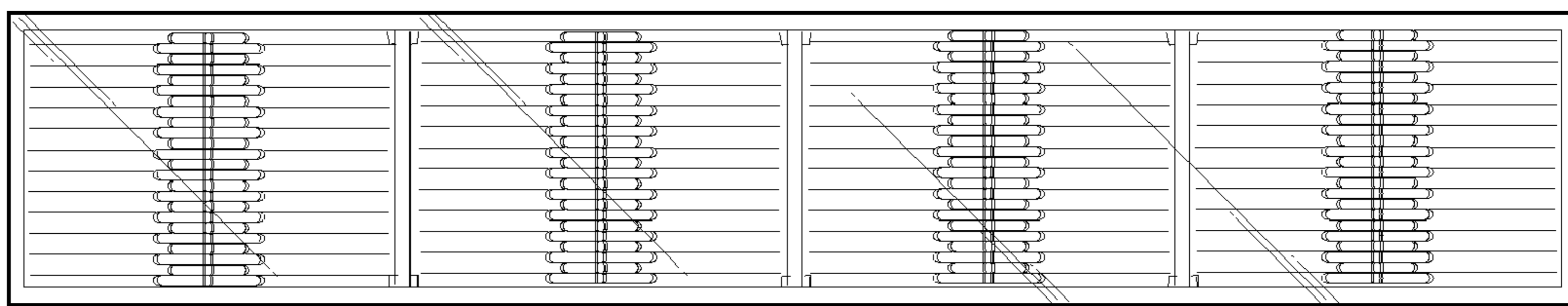


FIG. 18

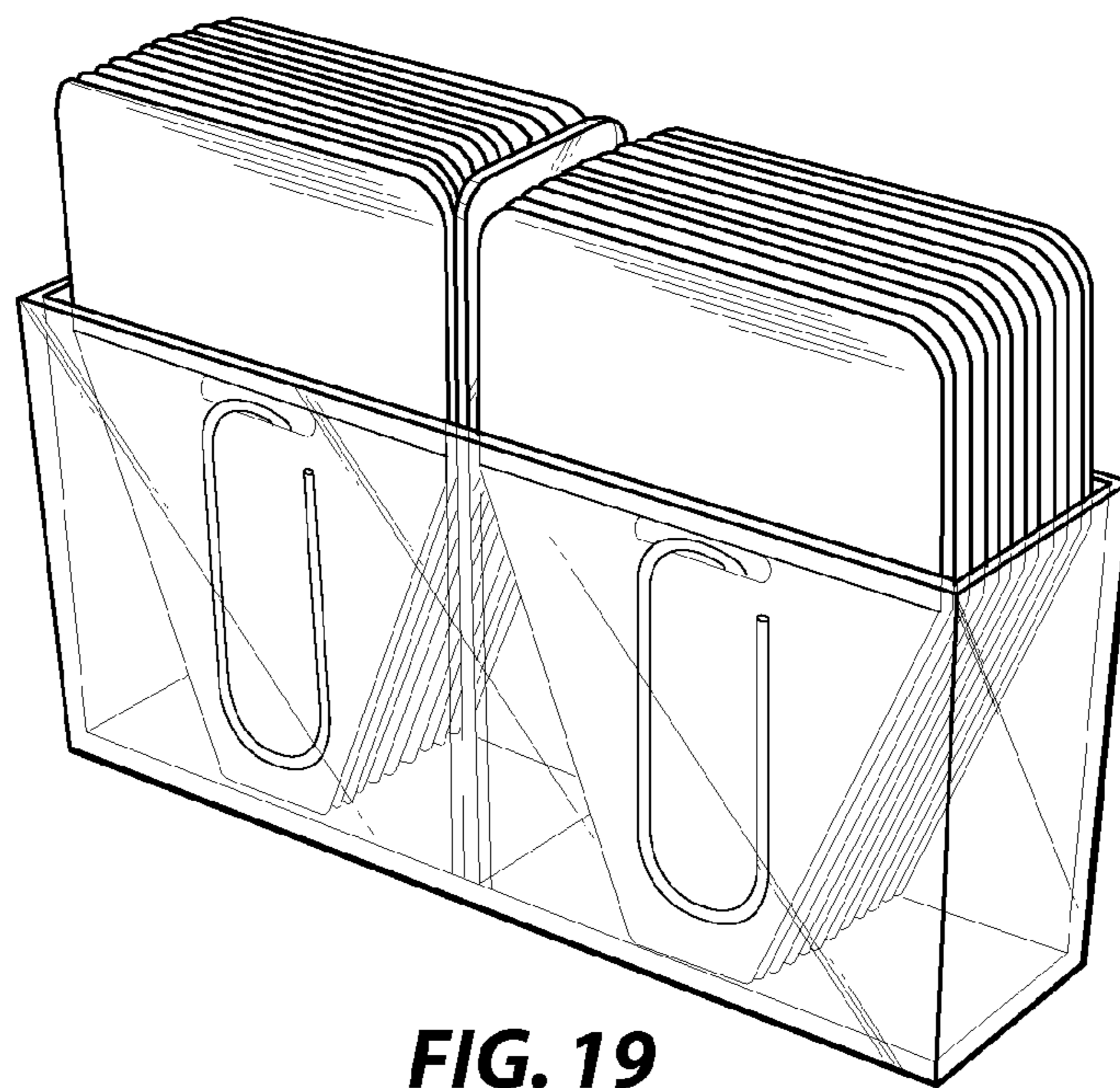


FIG. 19

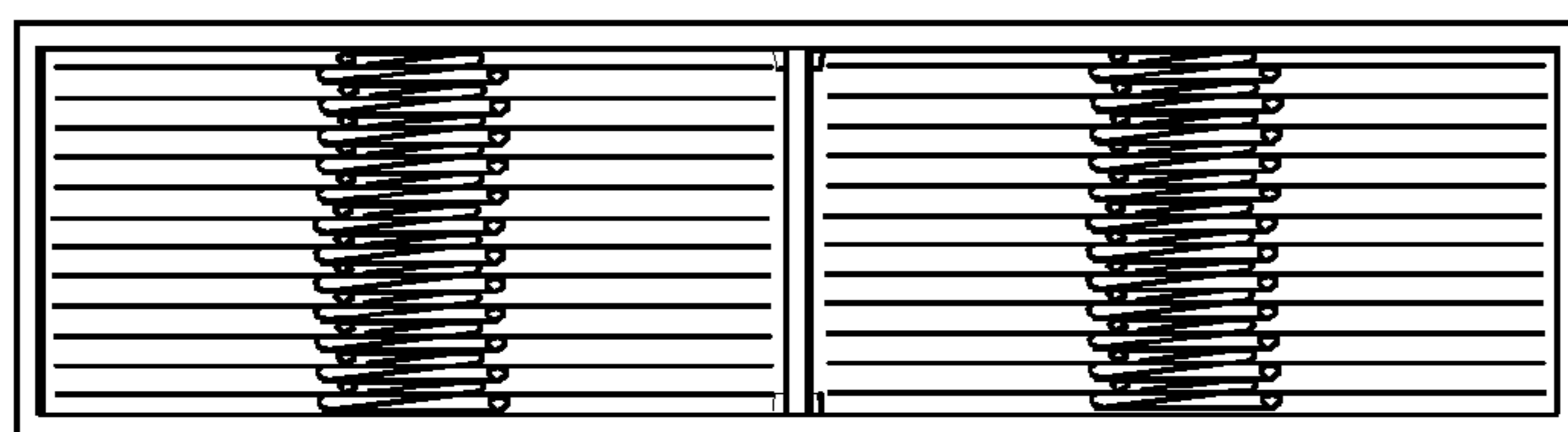


FIG. 20

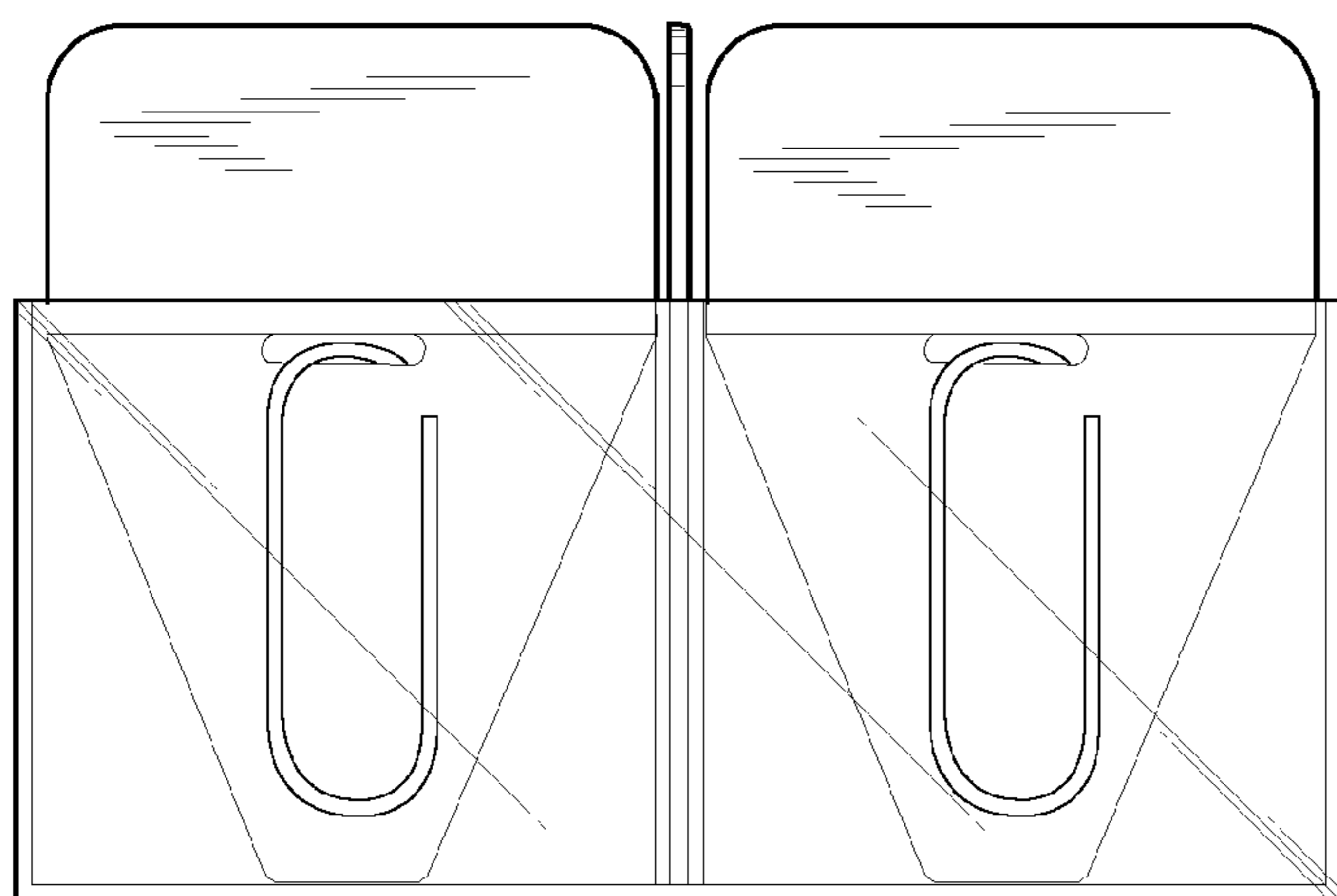


FIG. 21

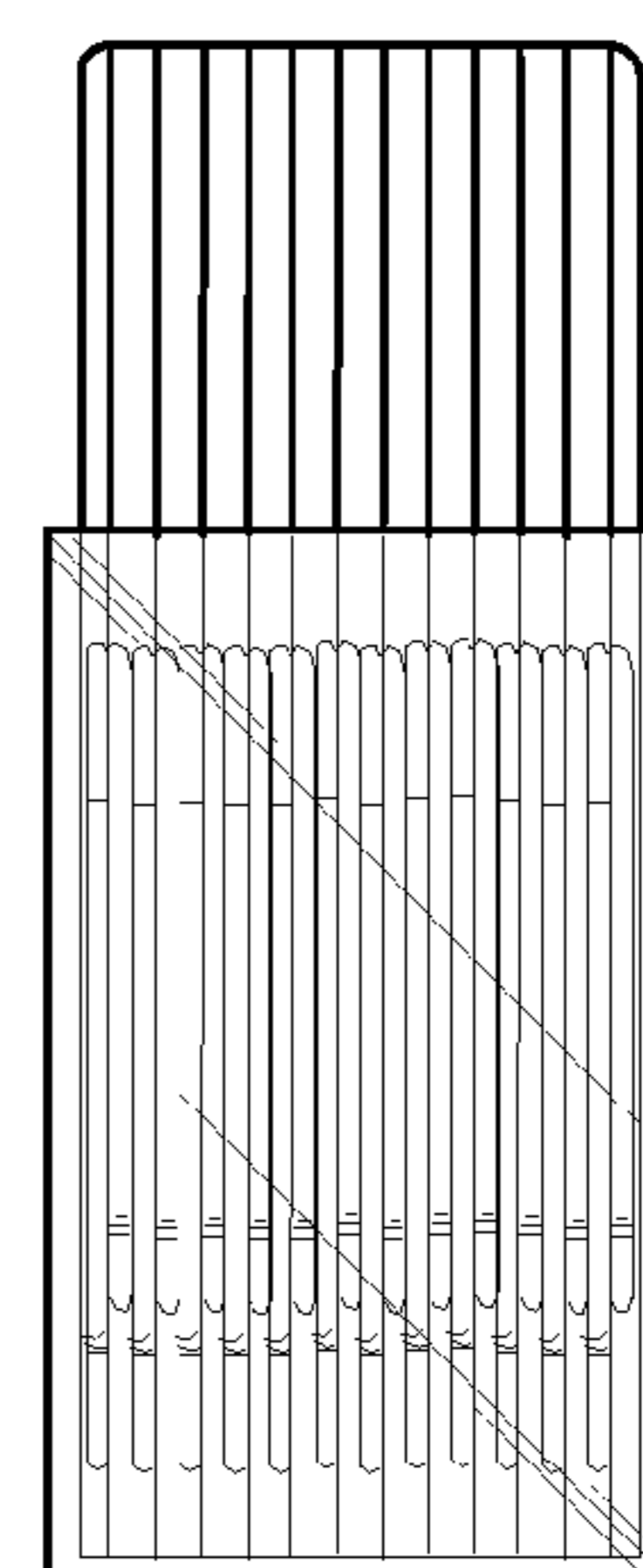


FIG. 22

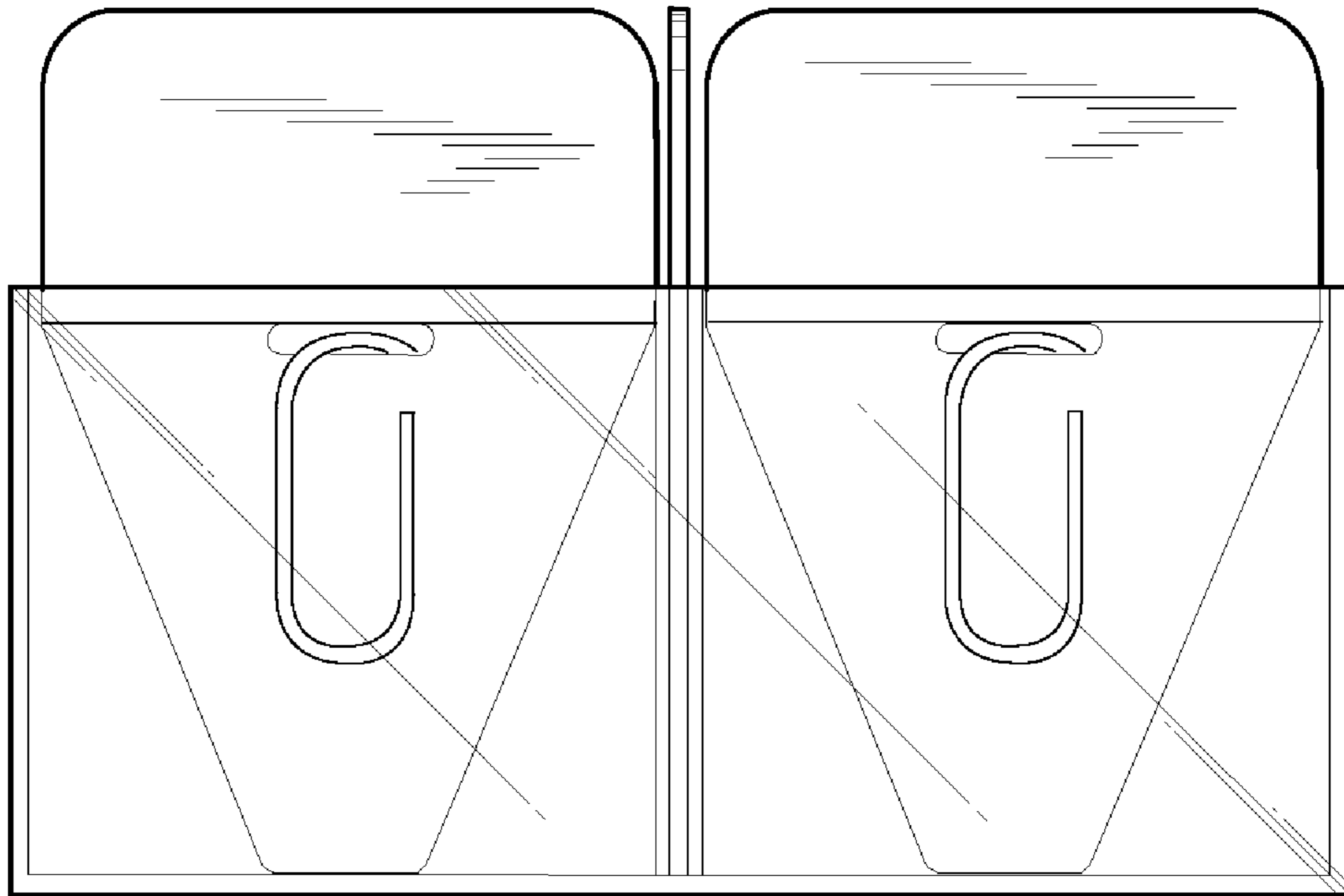


FIG. 23

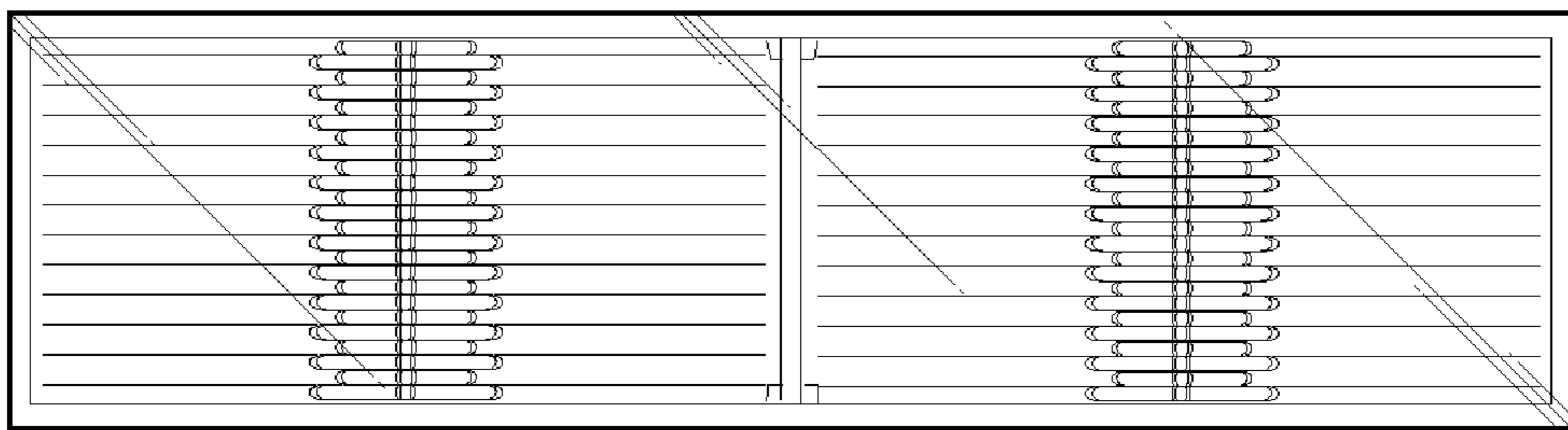


FIG. 24

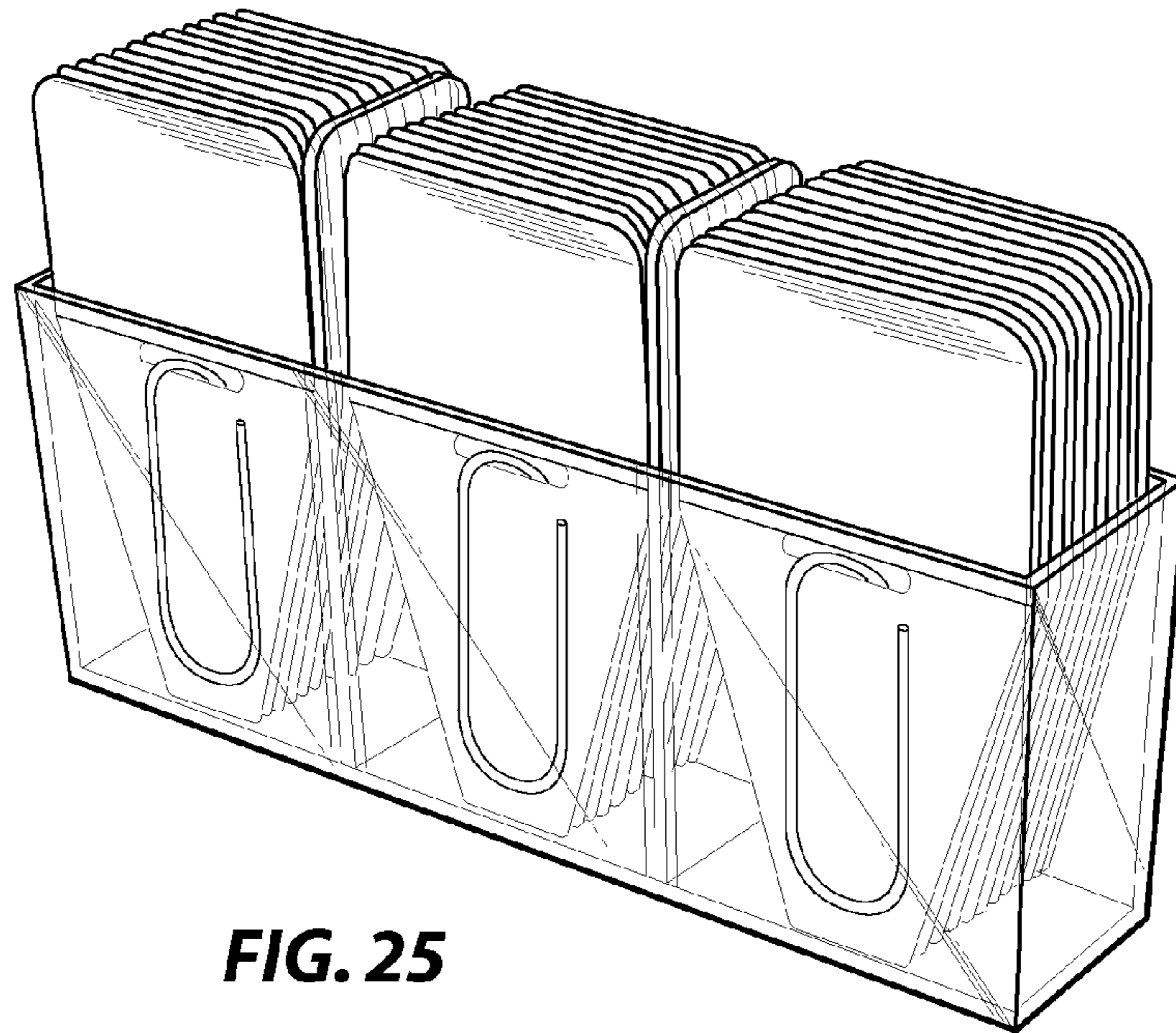


FIG. 25



FIG. 26

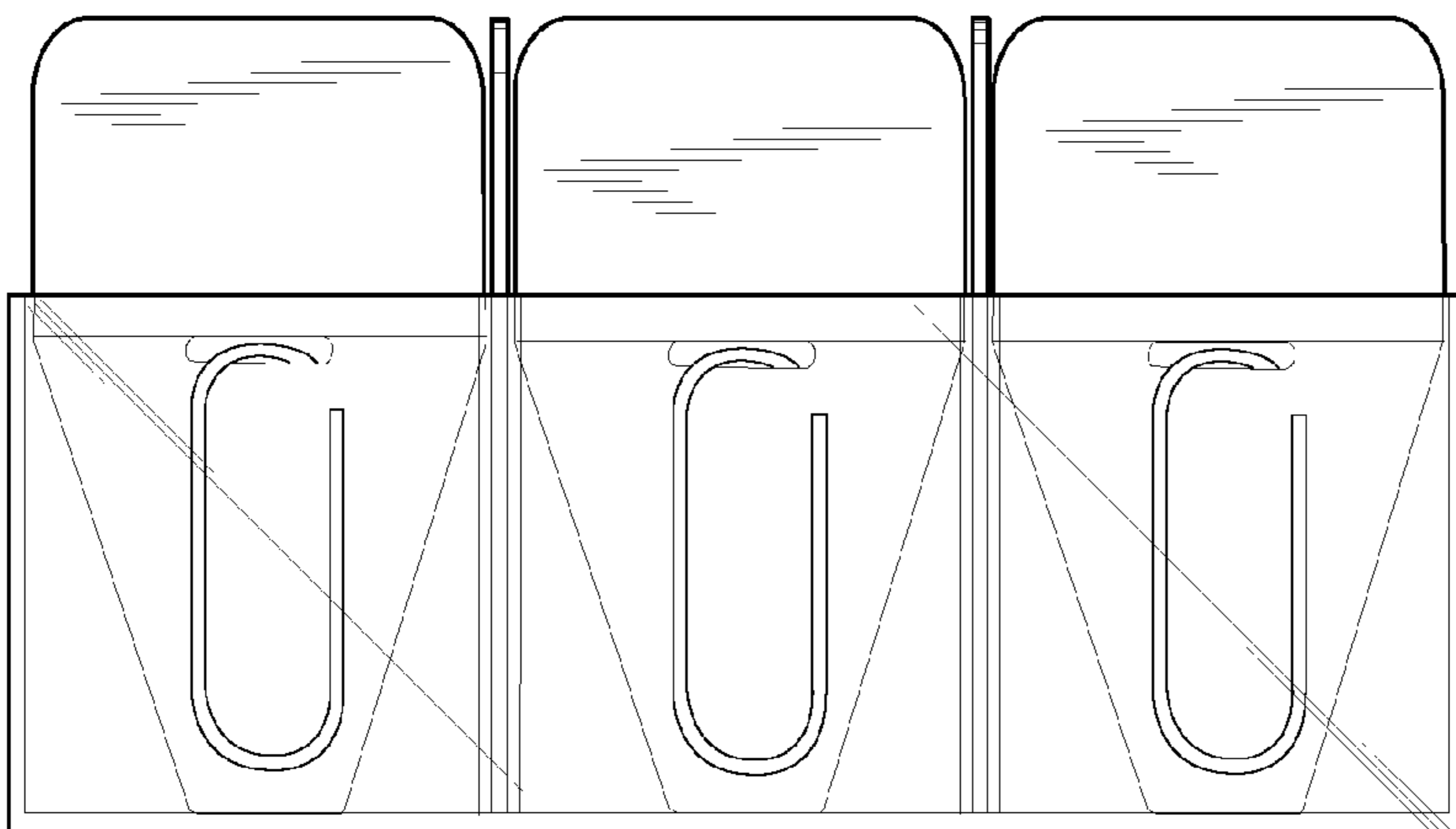


FIG. 27

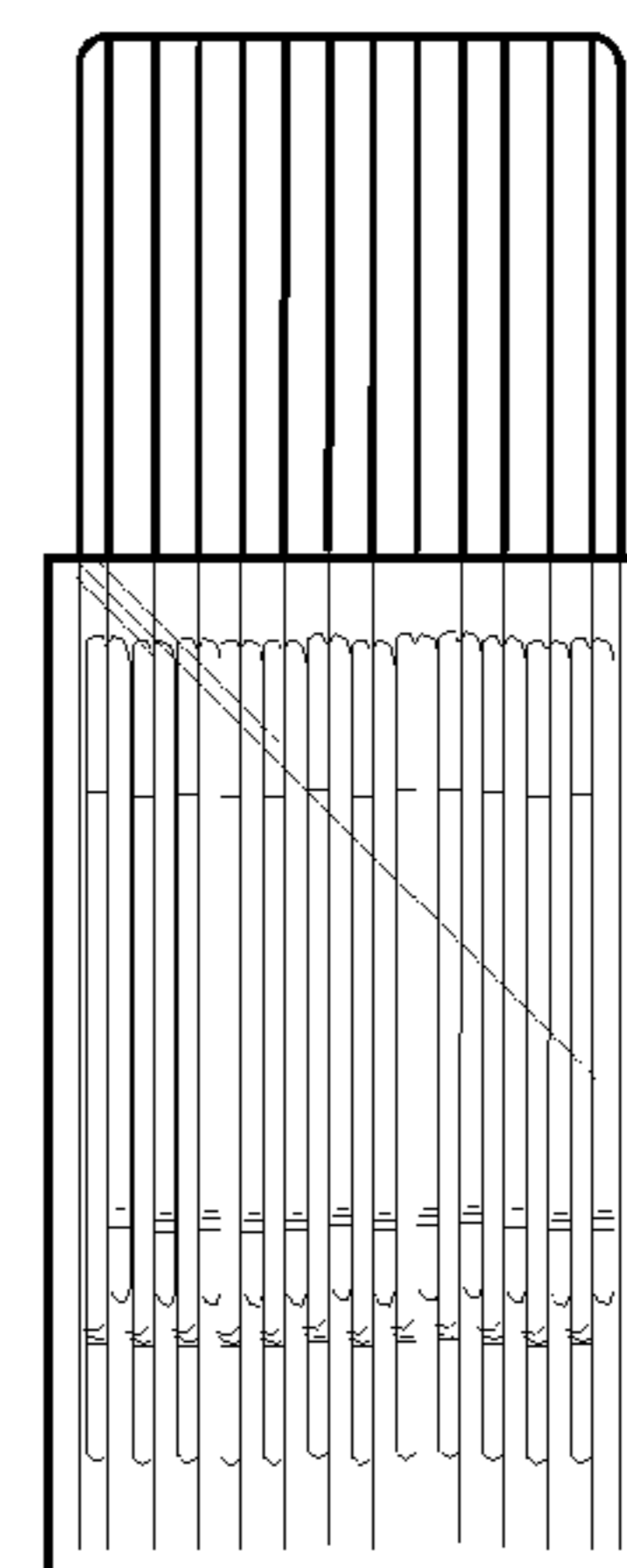


FIG. 28

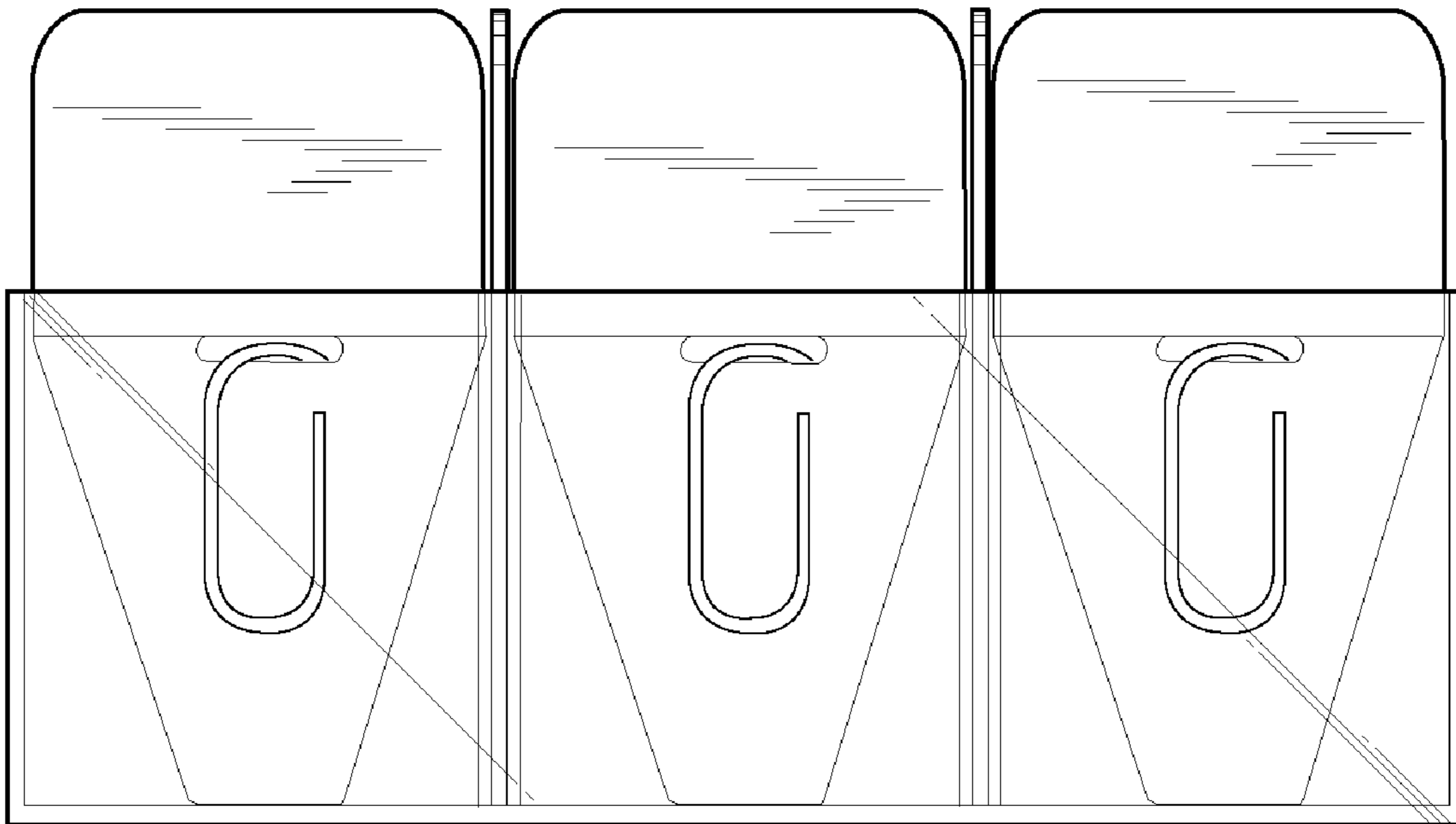


FIG. 29

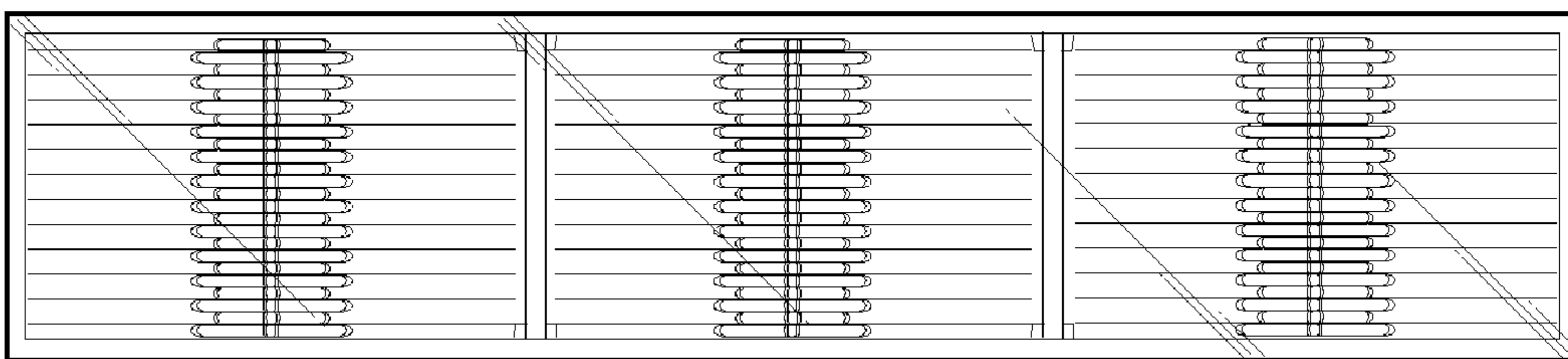


FIG. 30

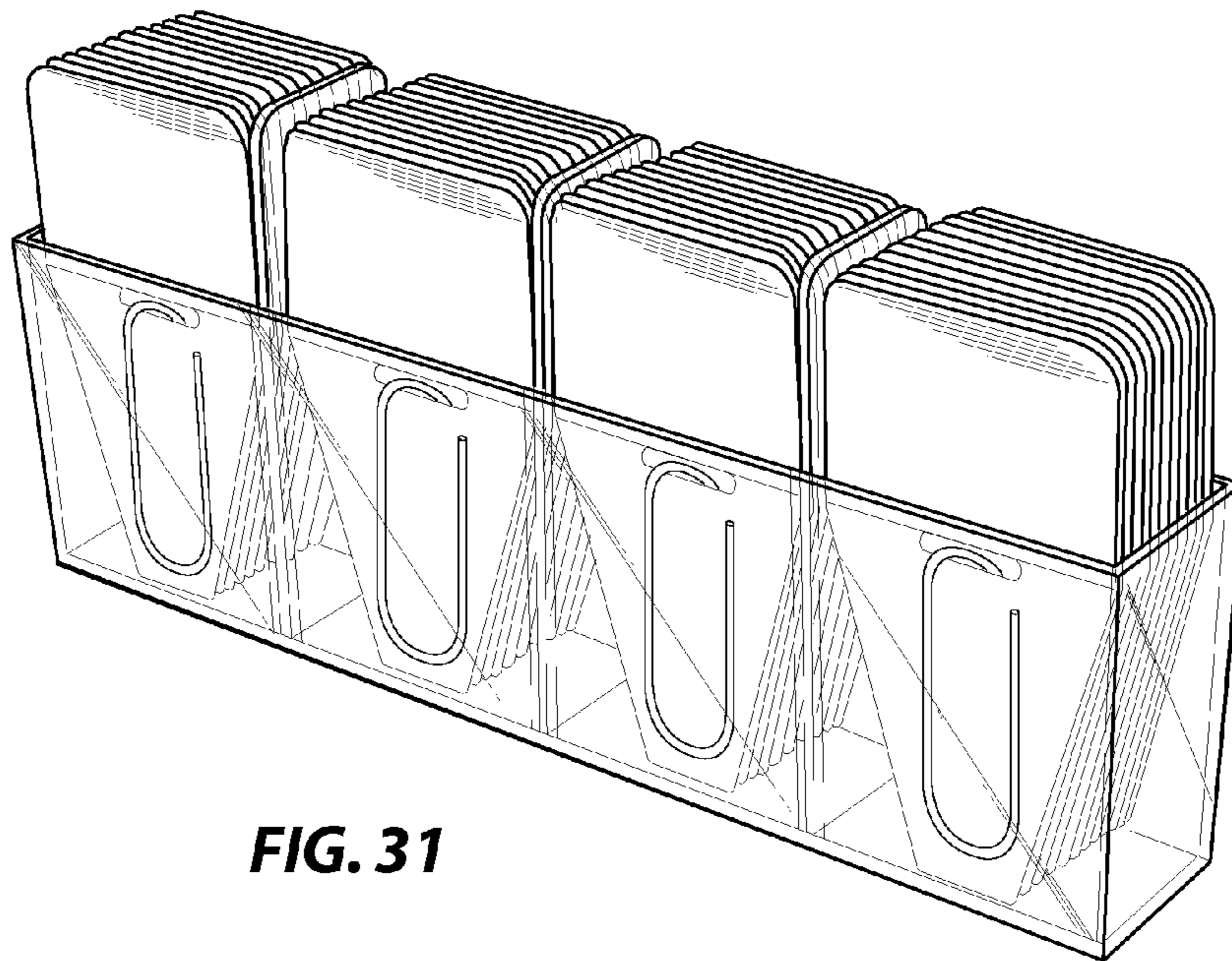


FIG. 31

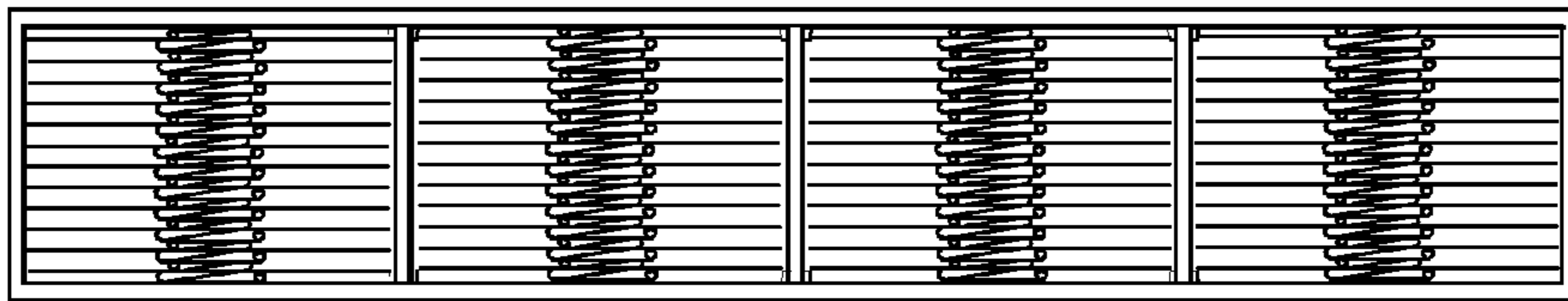


FIG. 32

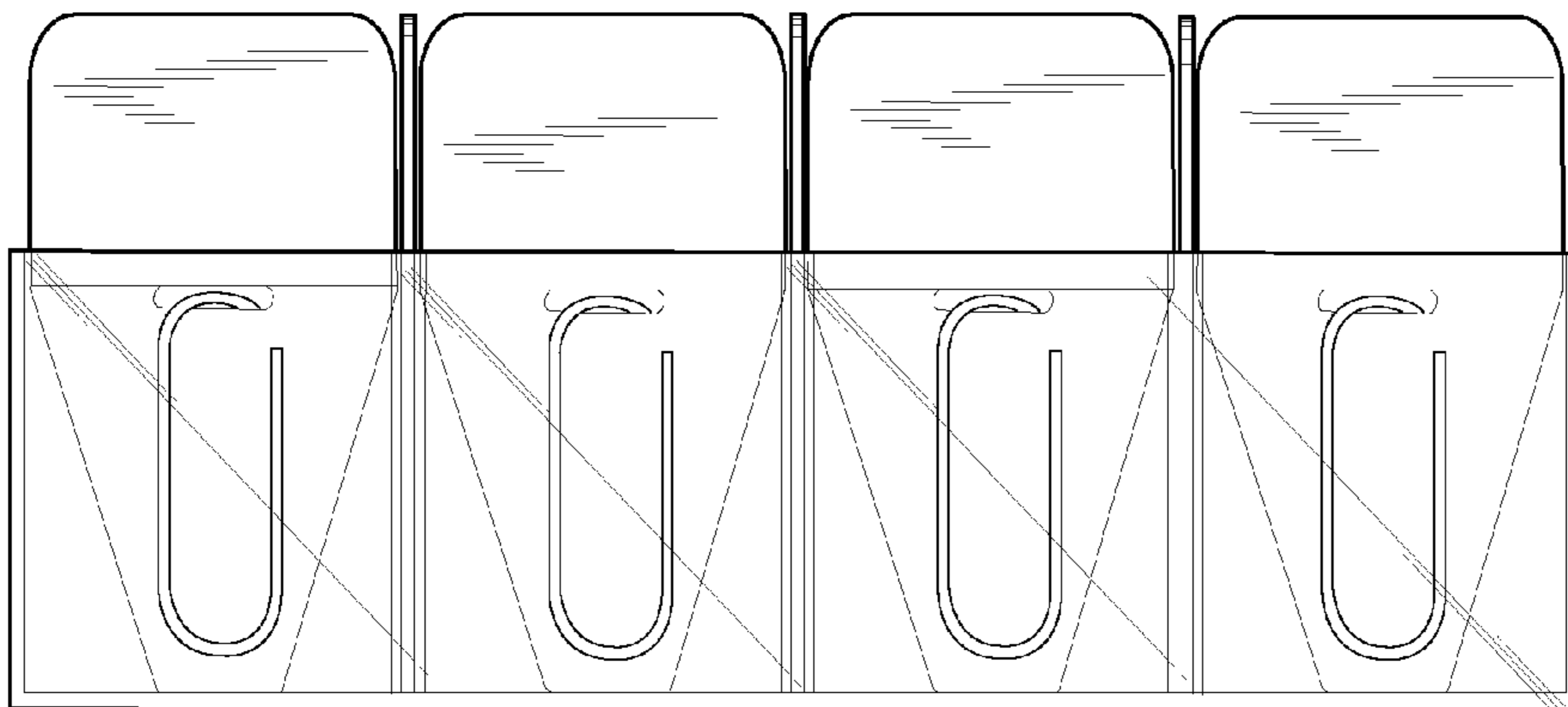


FIG. 33

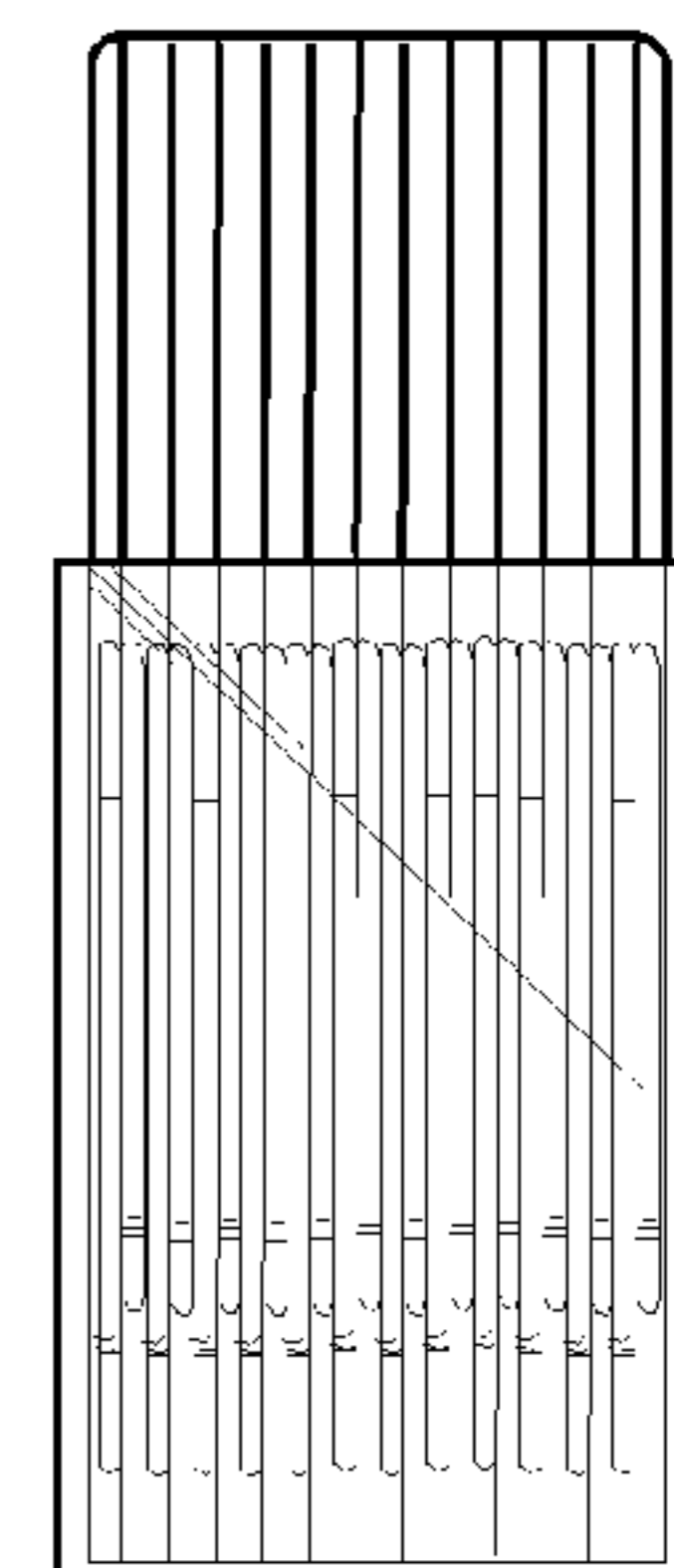


FIG. 34

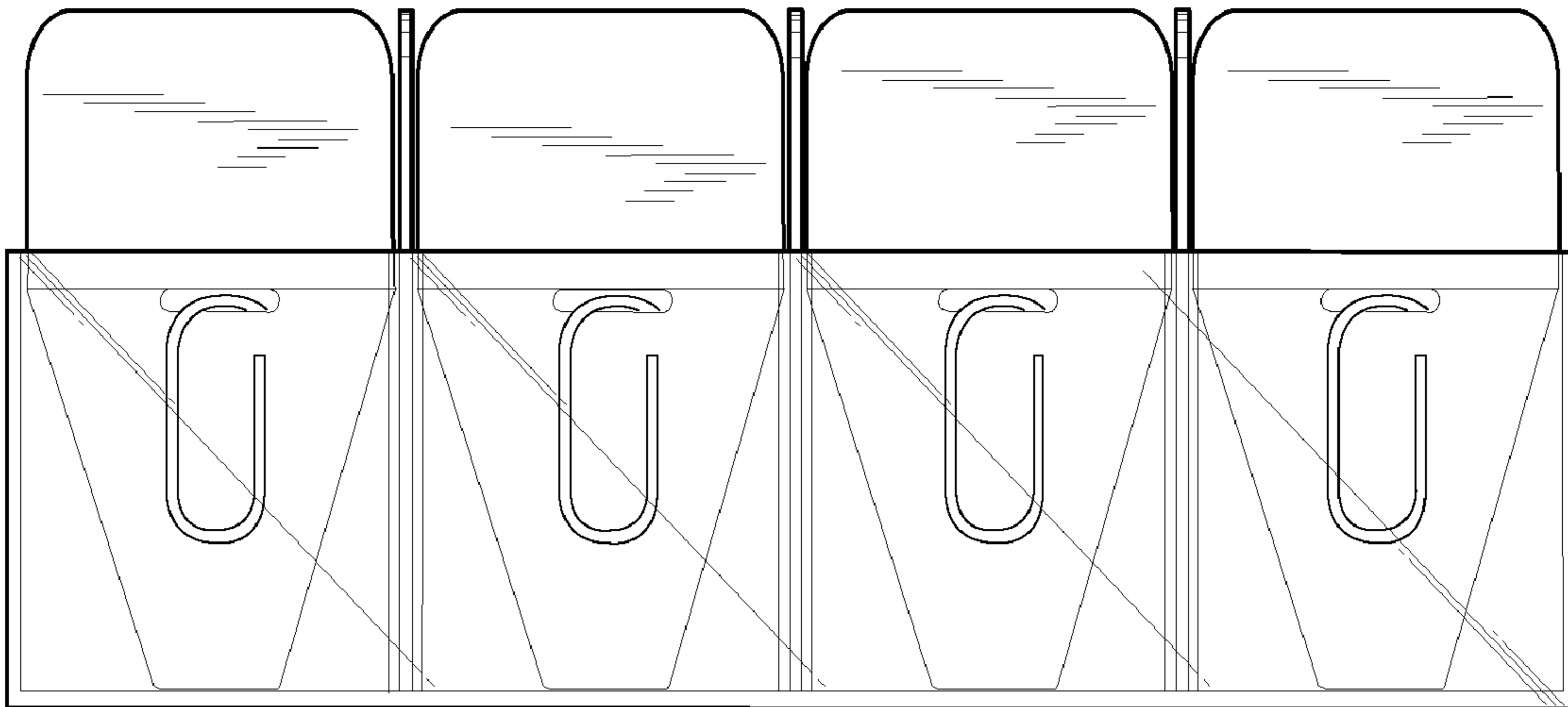


FIG. 35

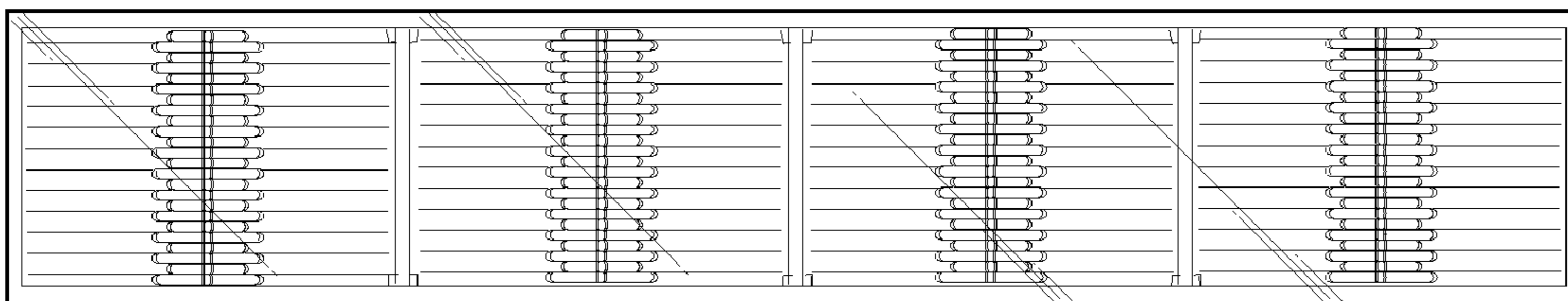


FIG. 36

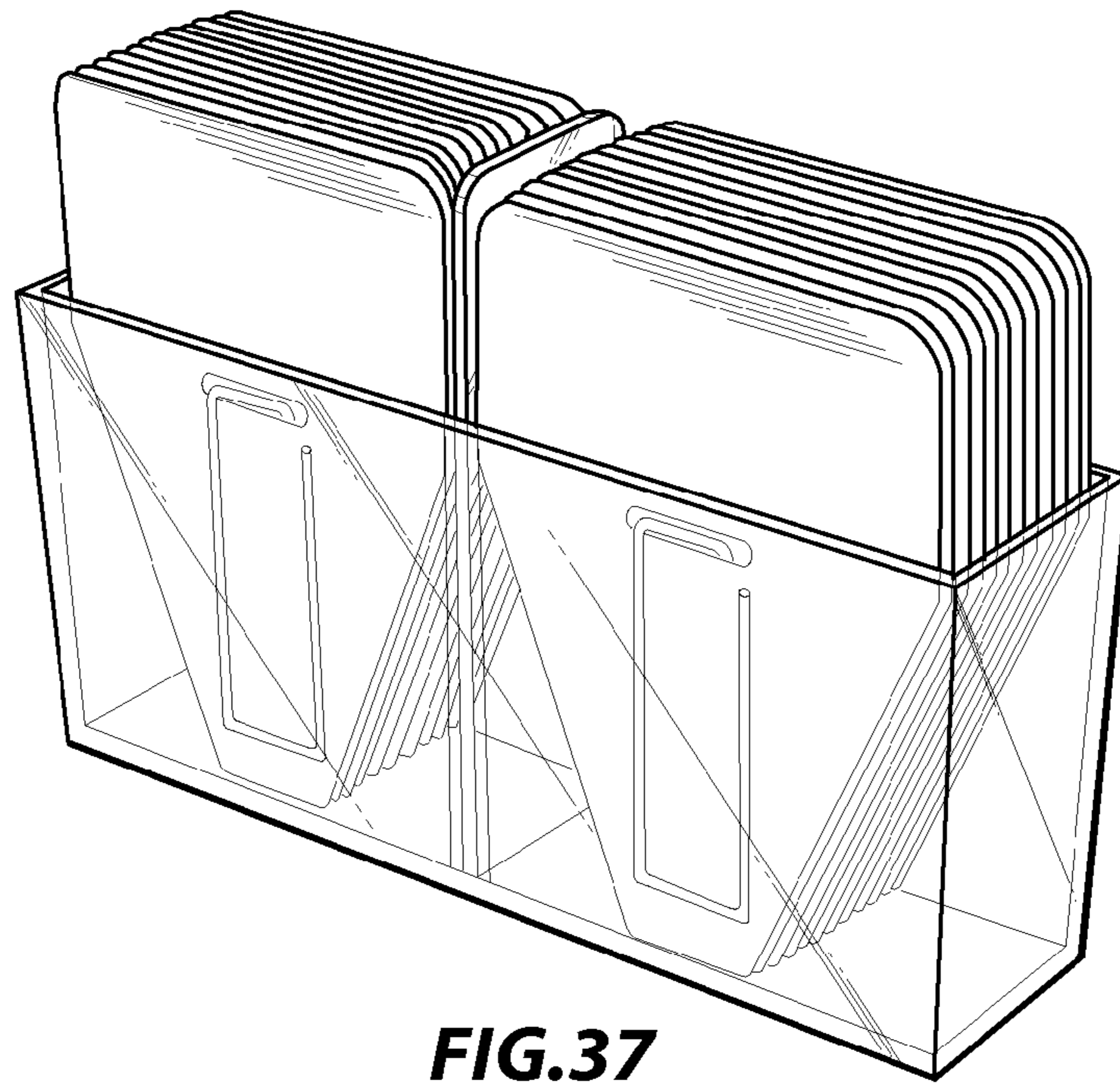


FIG. 37

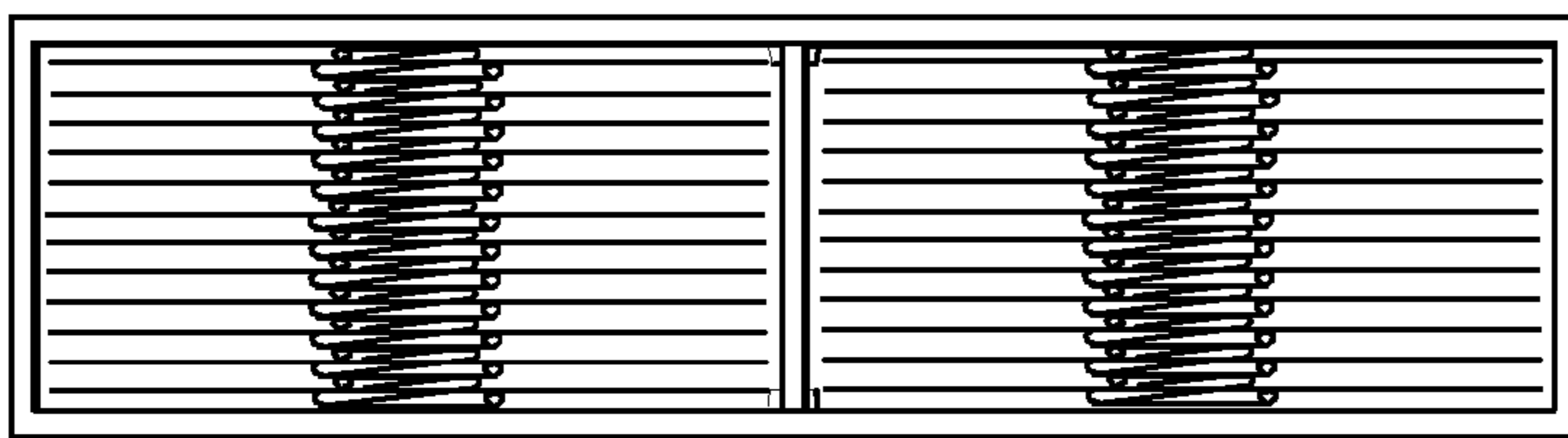


FIG. 38

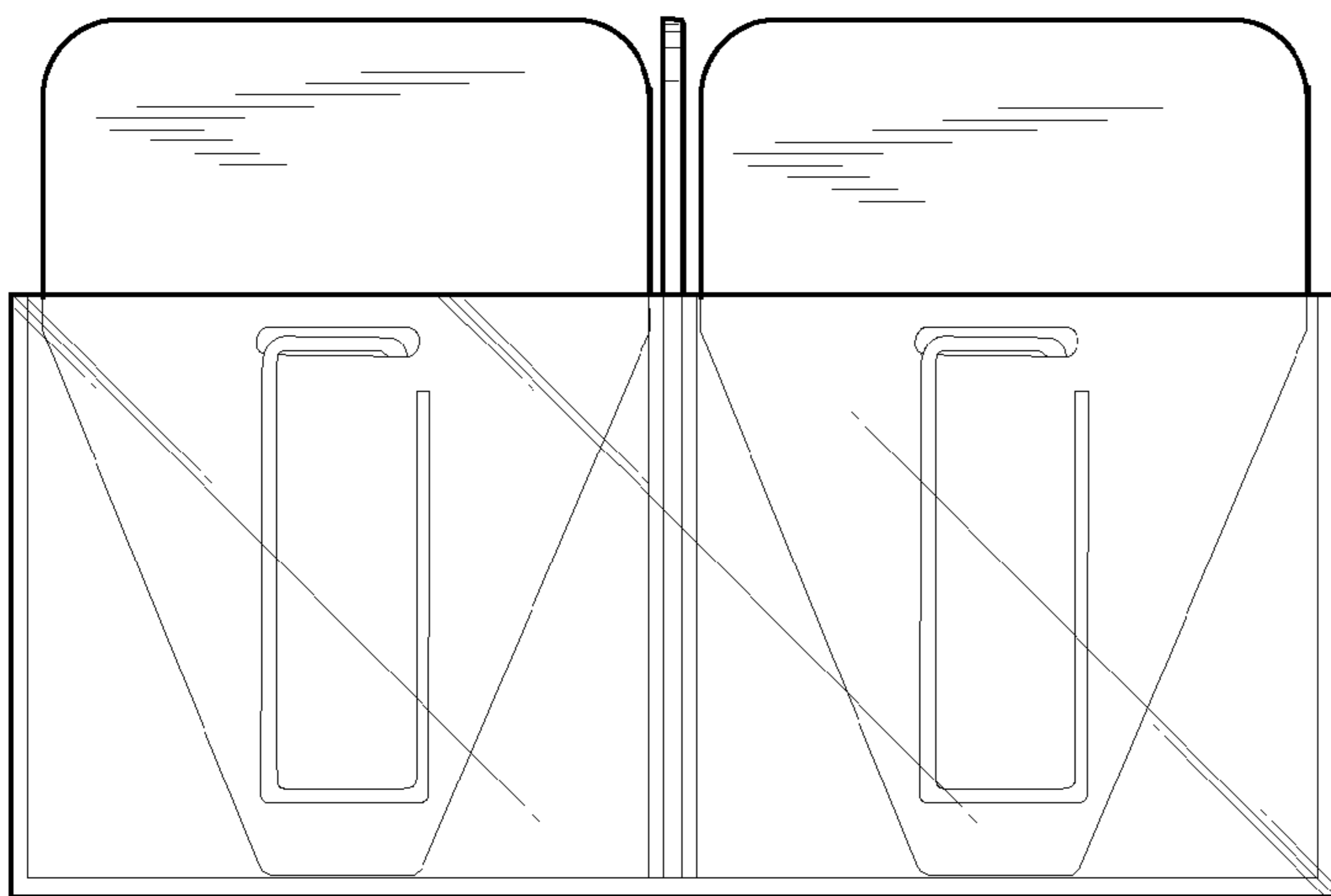


FIG. 39

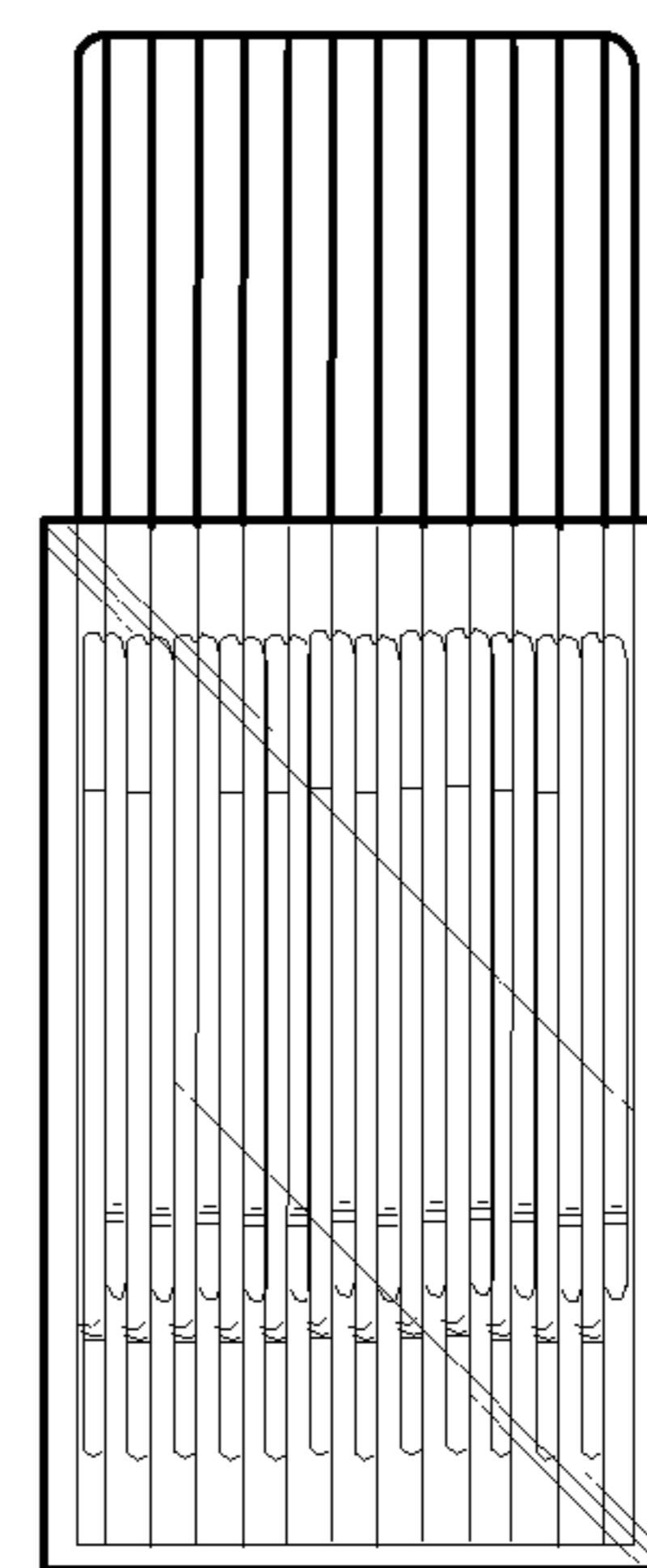


FIG. 40

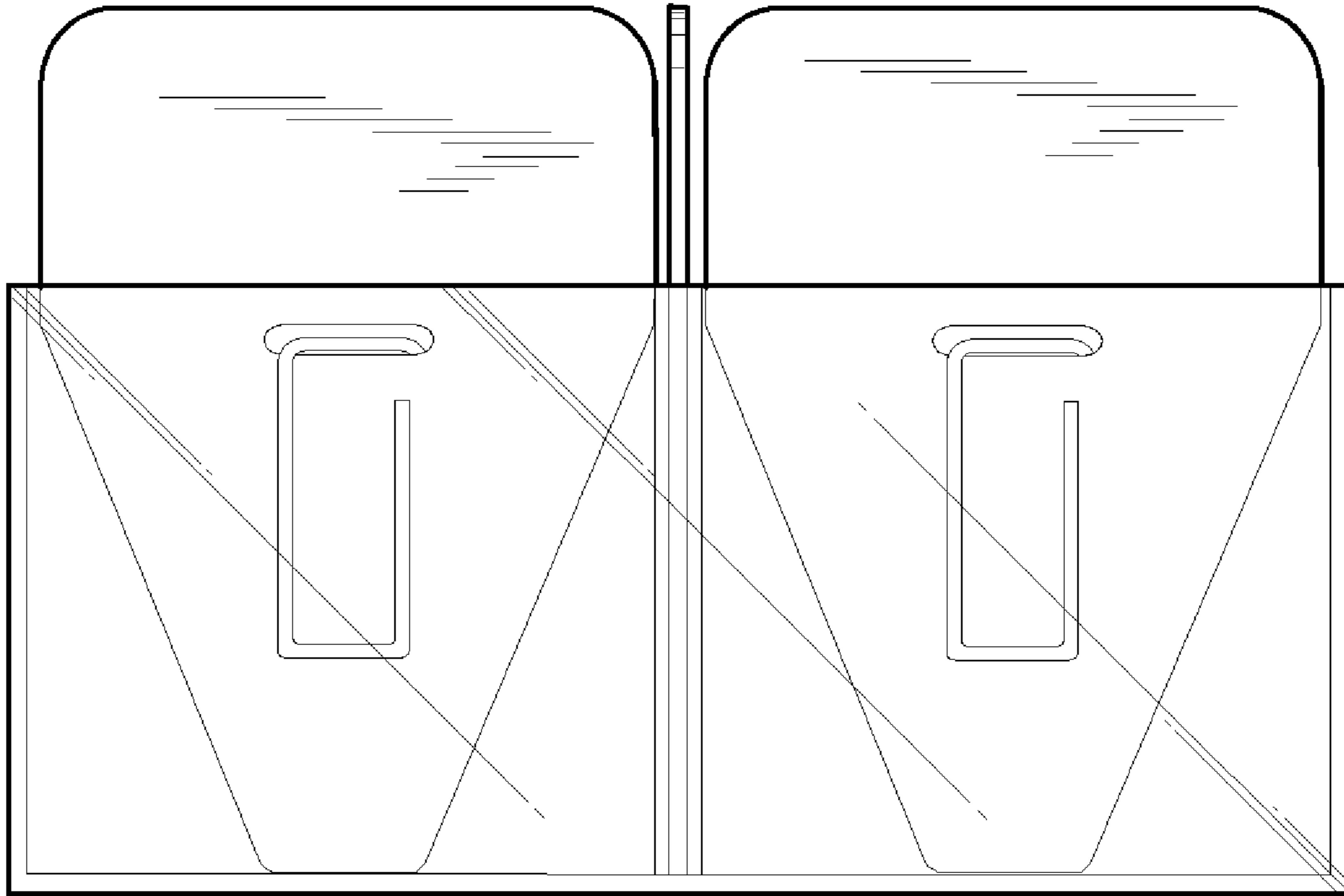


FIG. 41

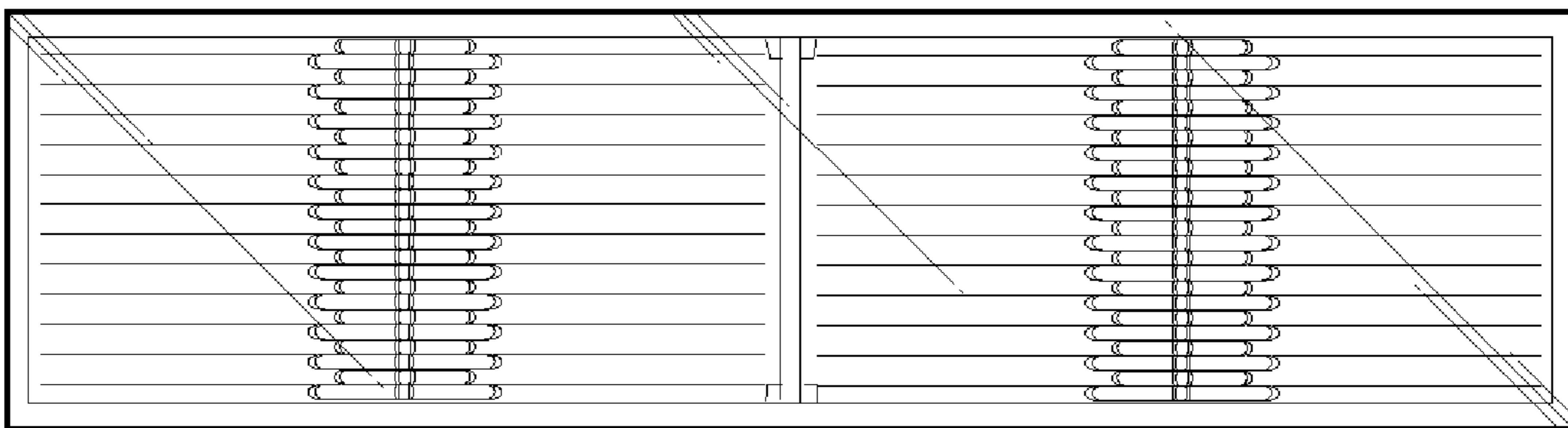


FIG. 42

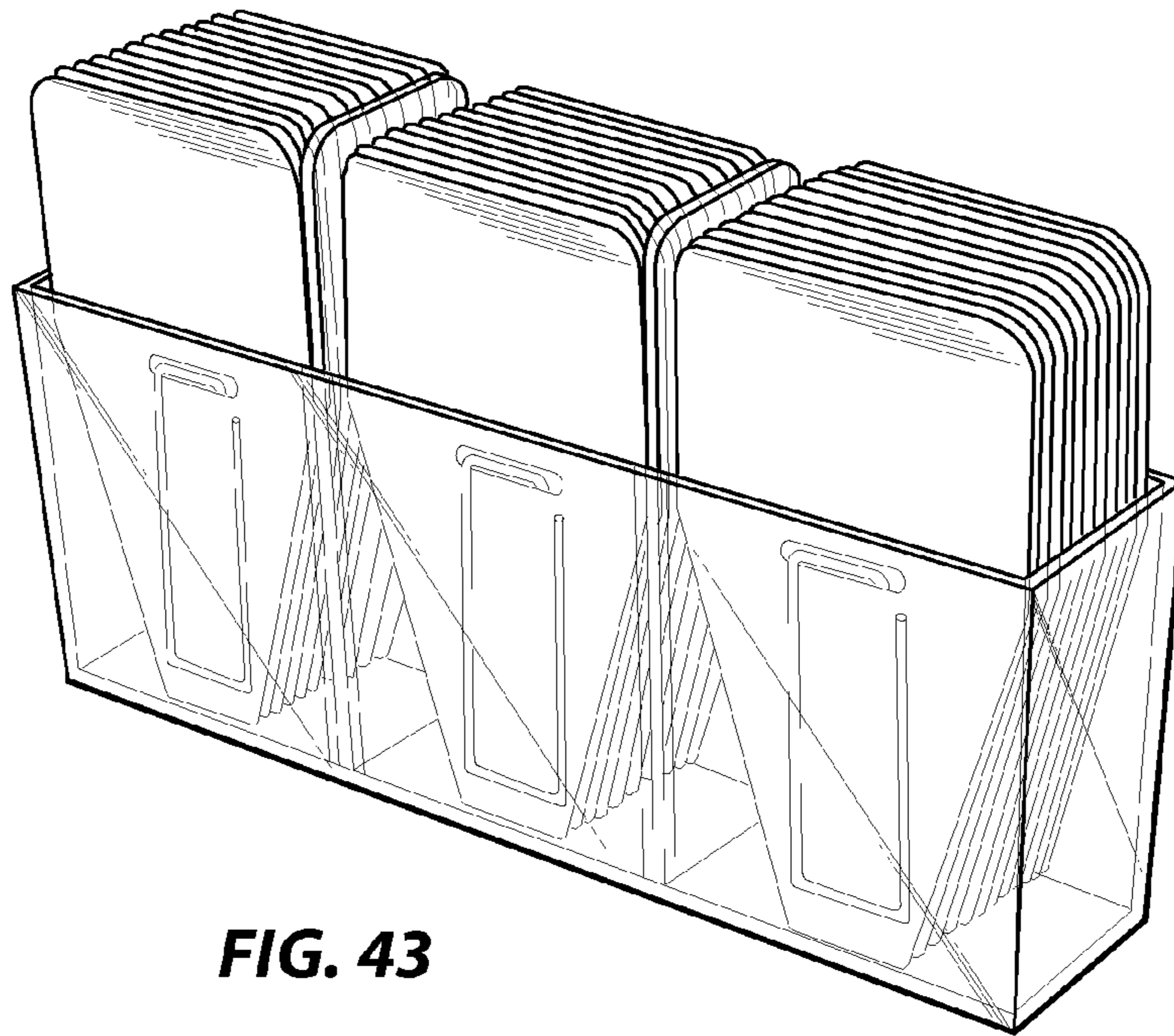


FIG. 43



FIG. 44

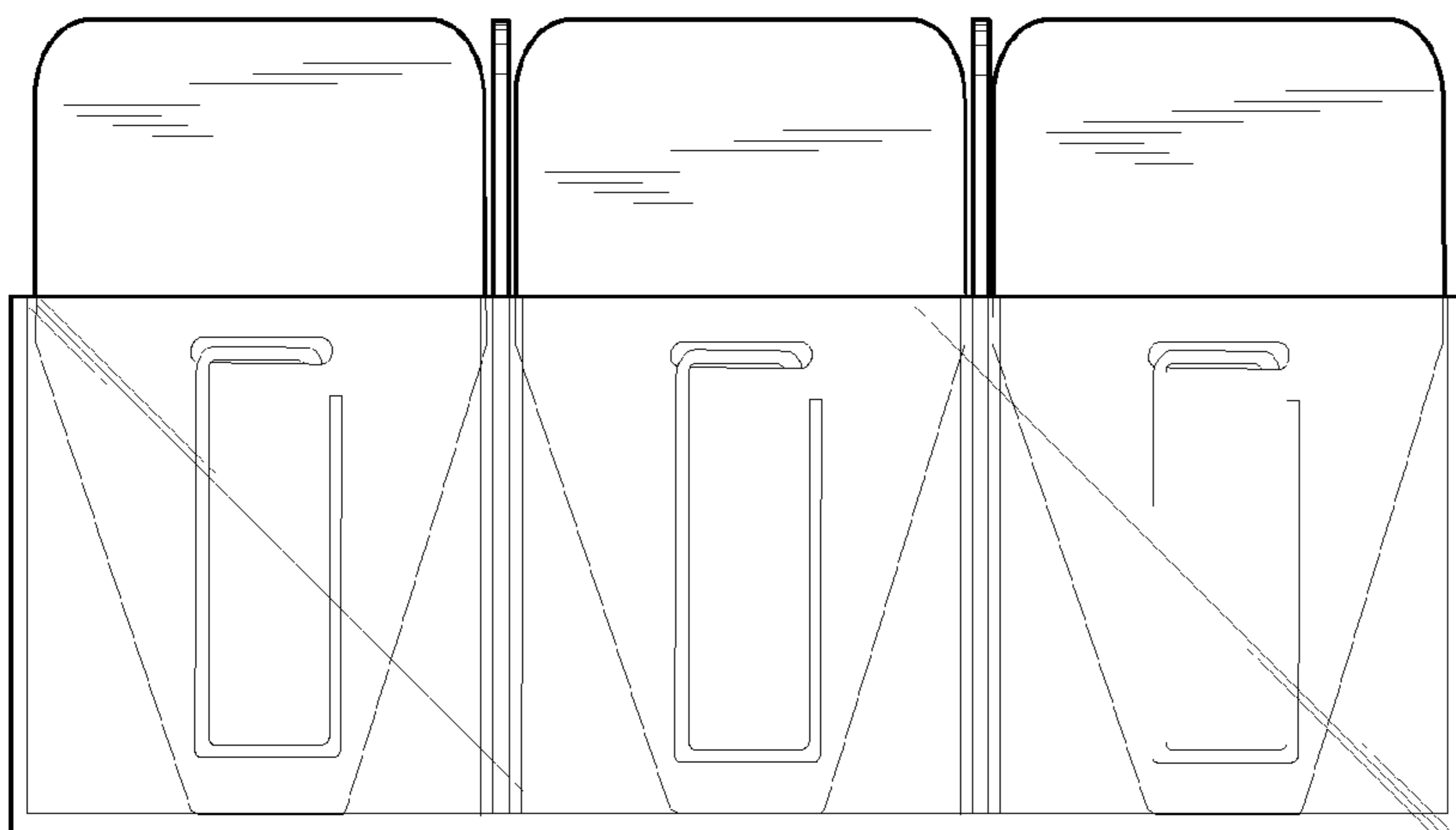


FIG. 45

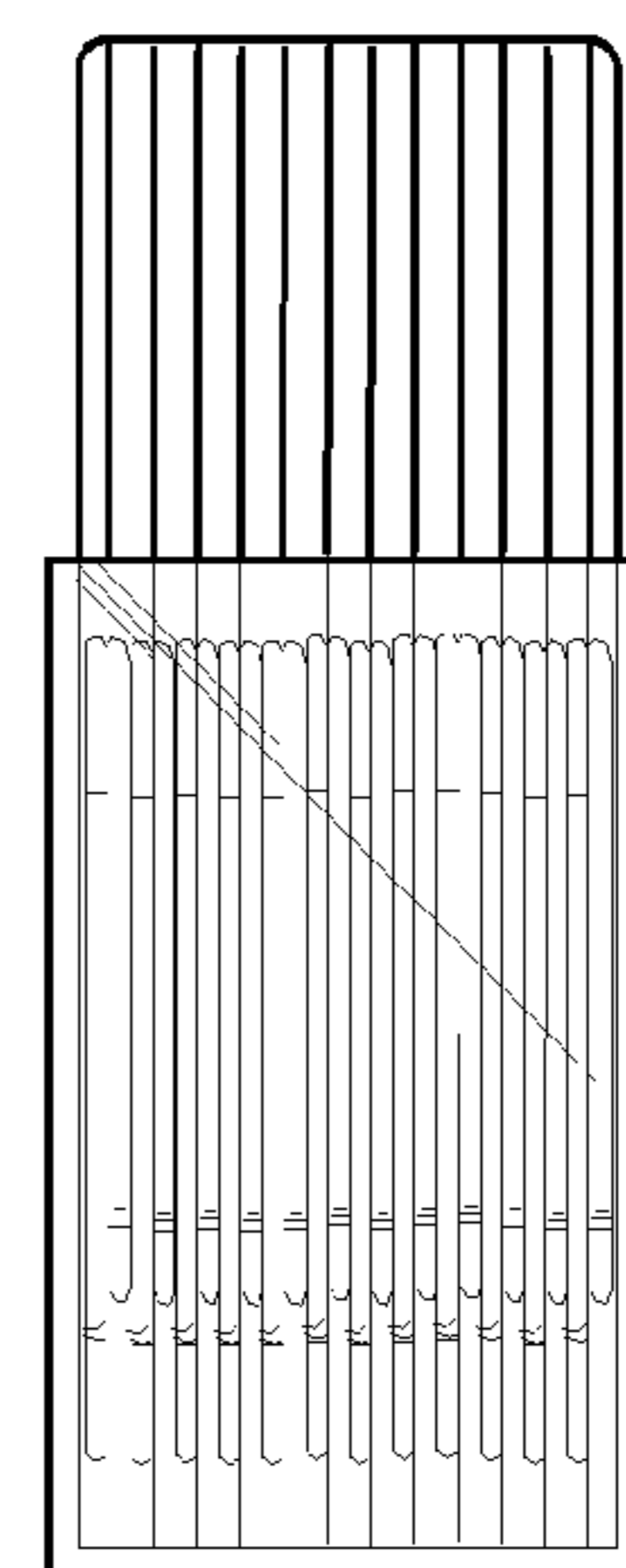


FIG. 46

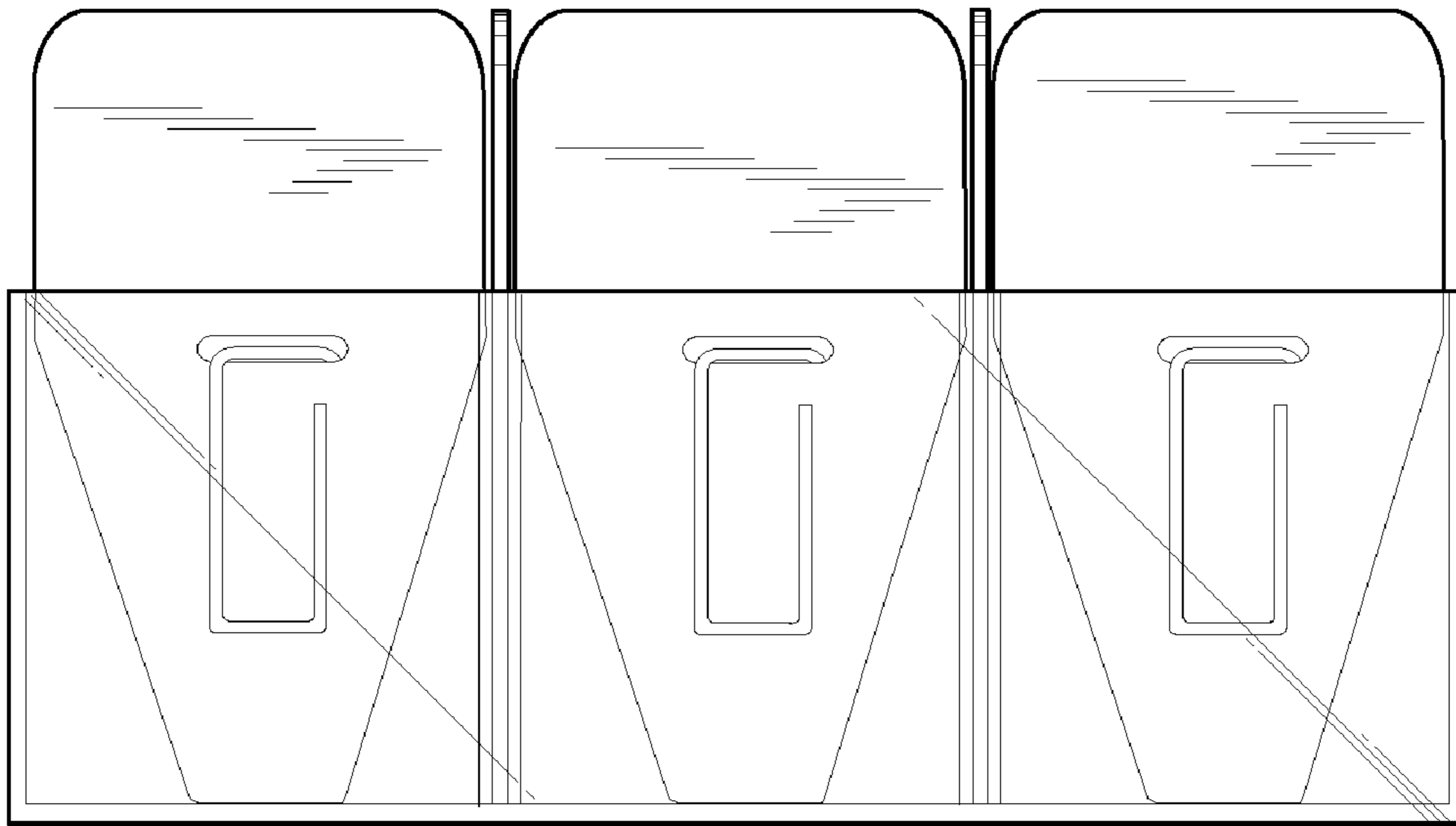


FIG. 47

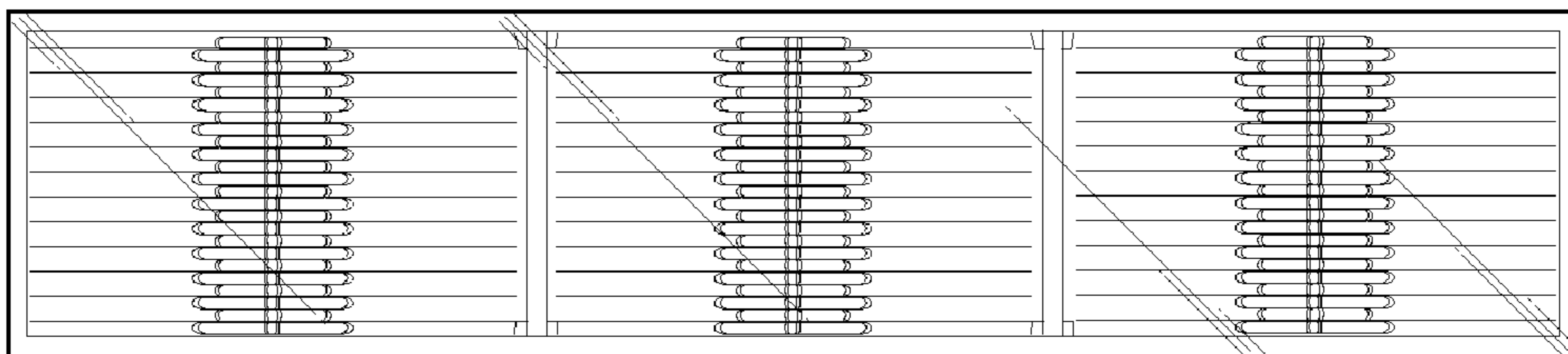


FIG. 48

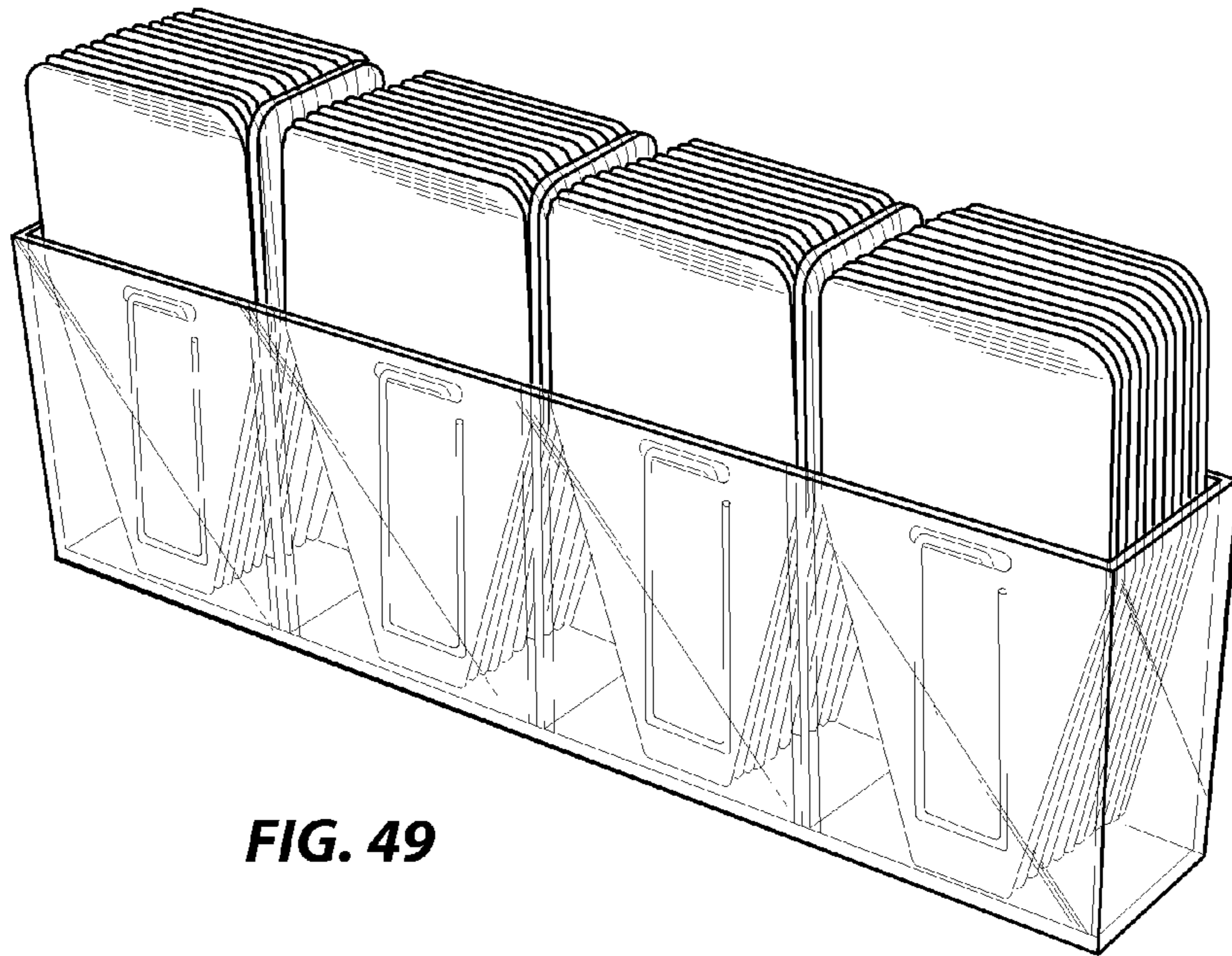


FIG. 49

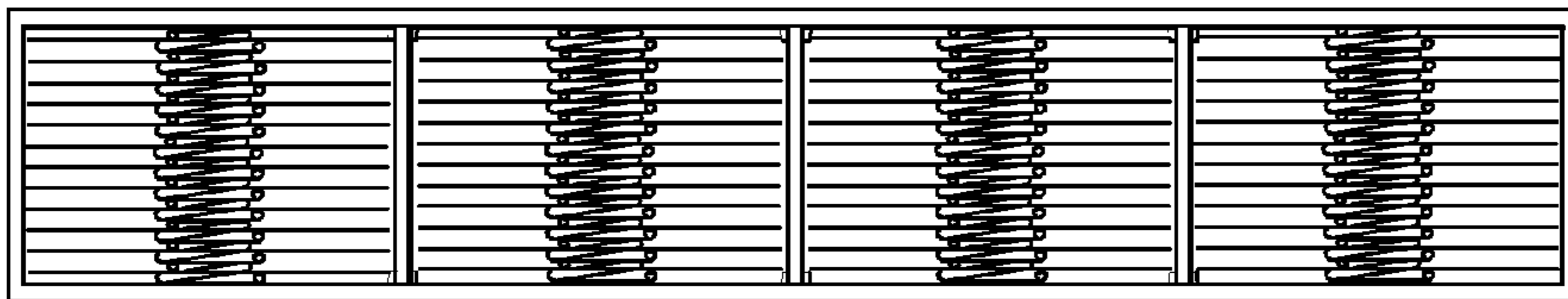


FIG. 50

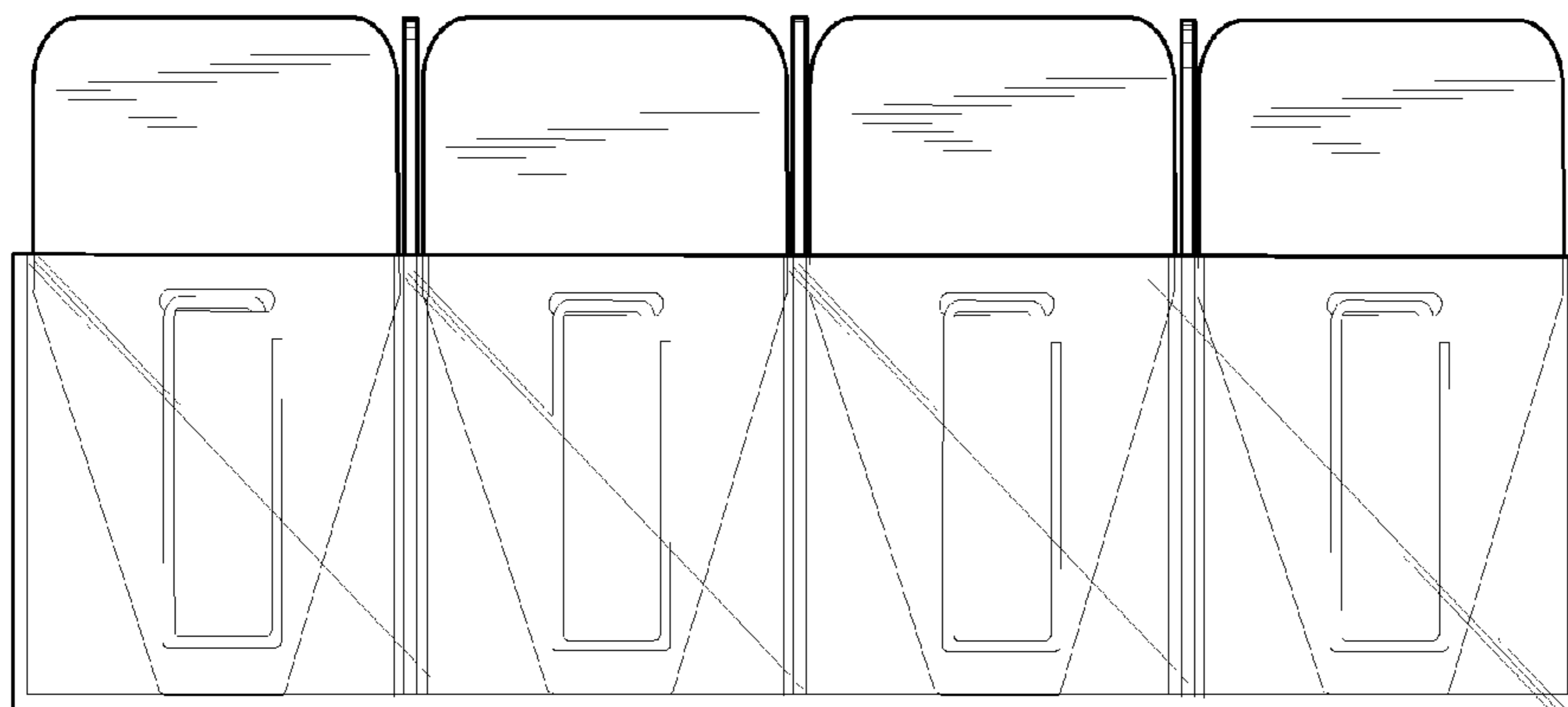


FIG. 51

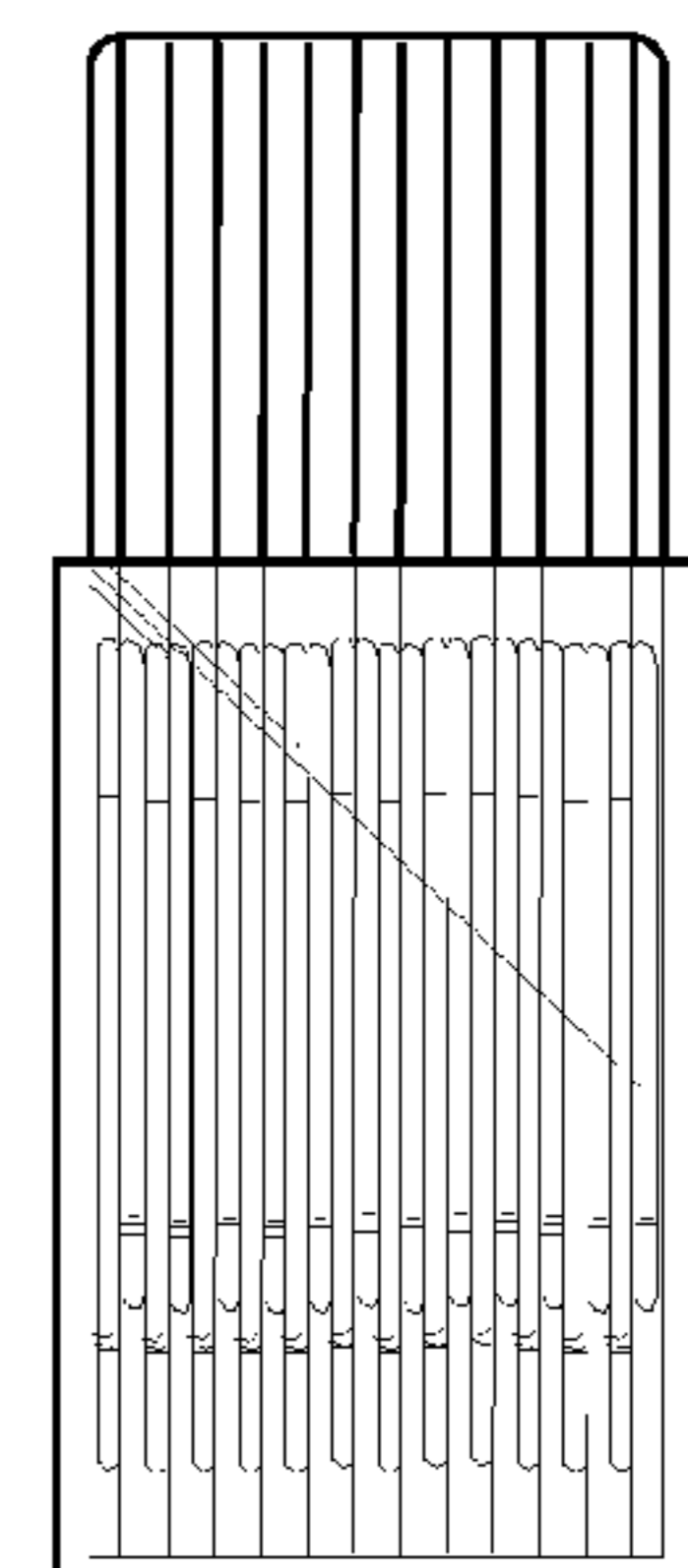


FIG. 52

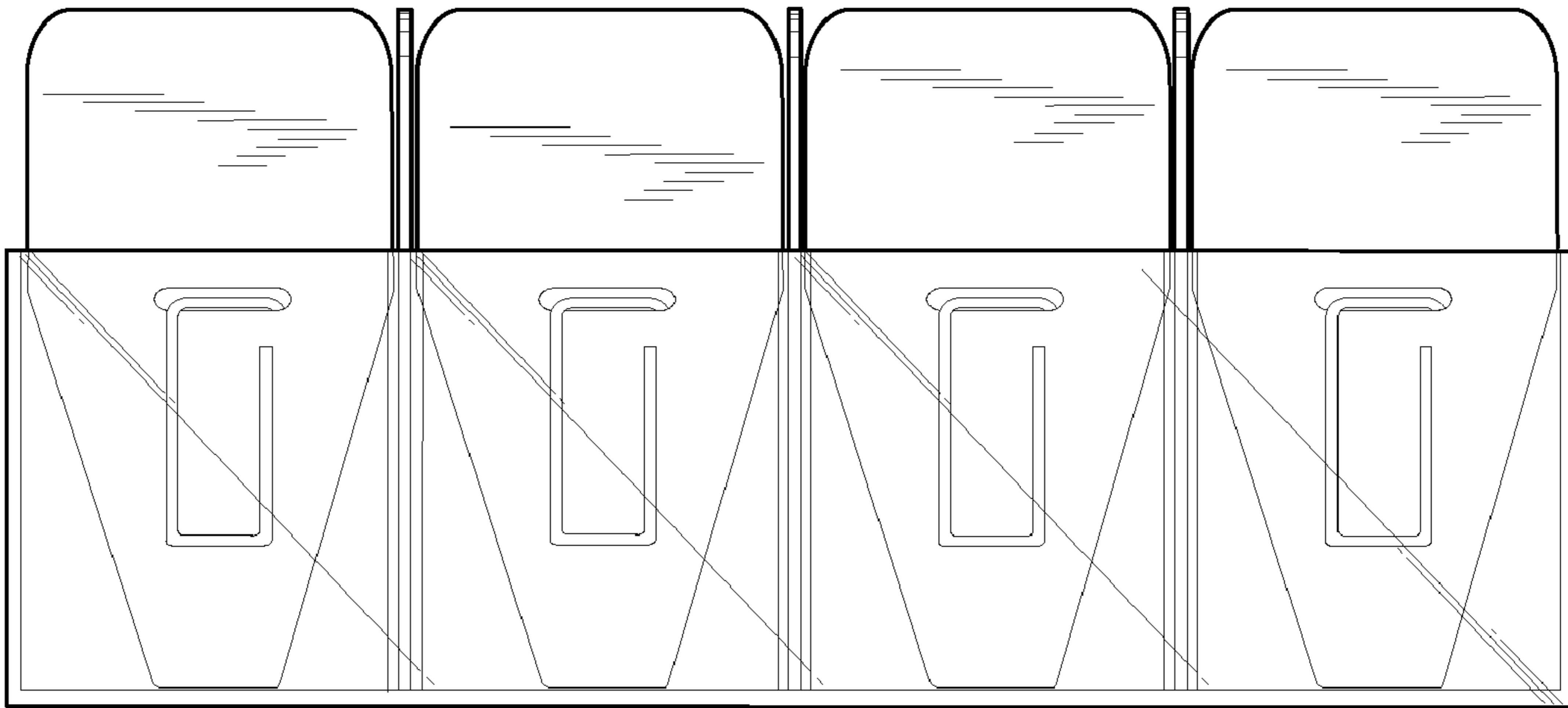


FIG. 53

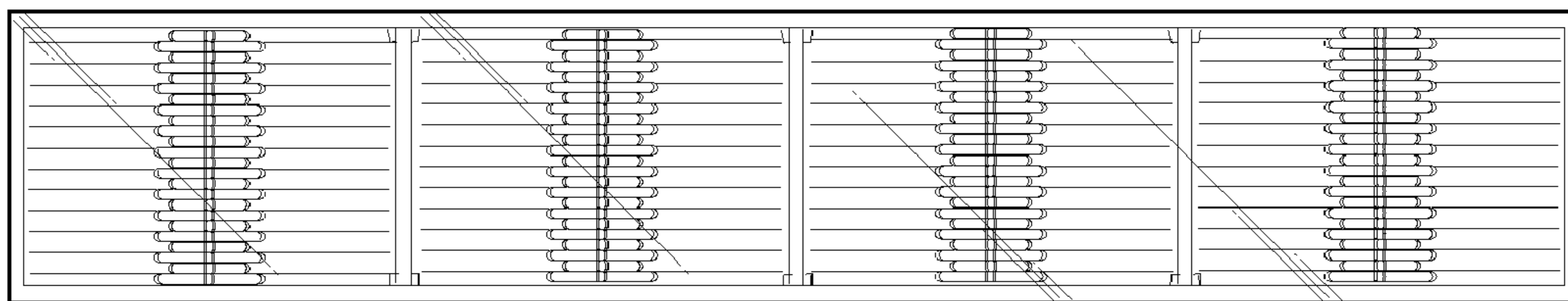


FIG. 54

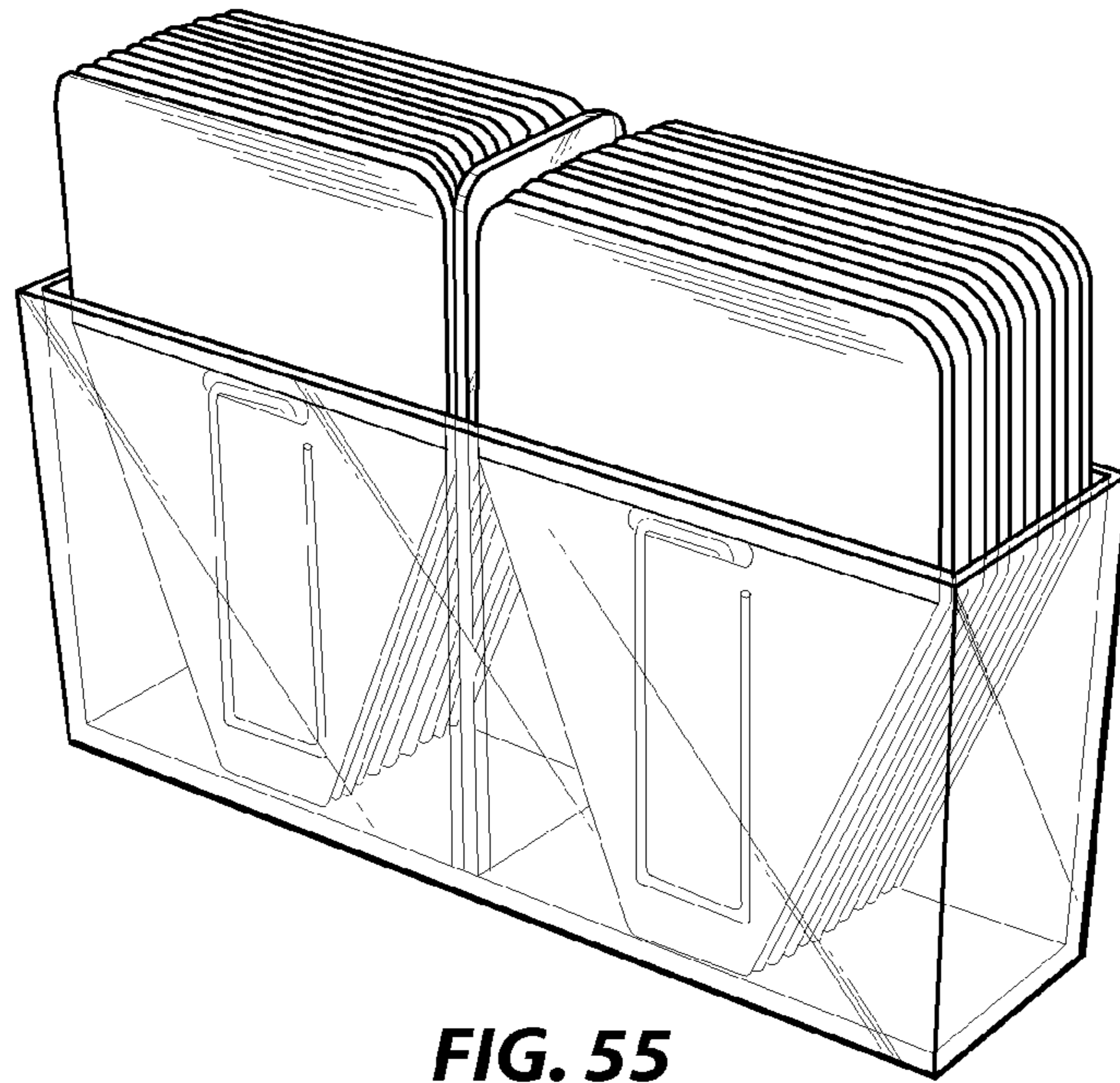


FIG. 55

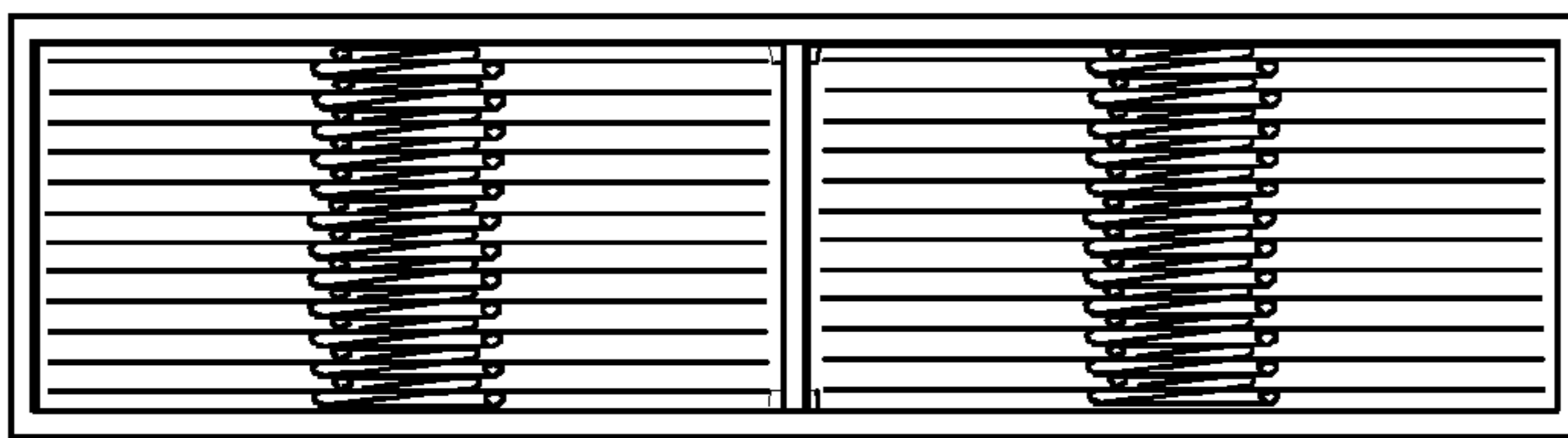


FIG. 56

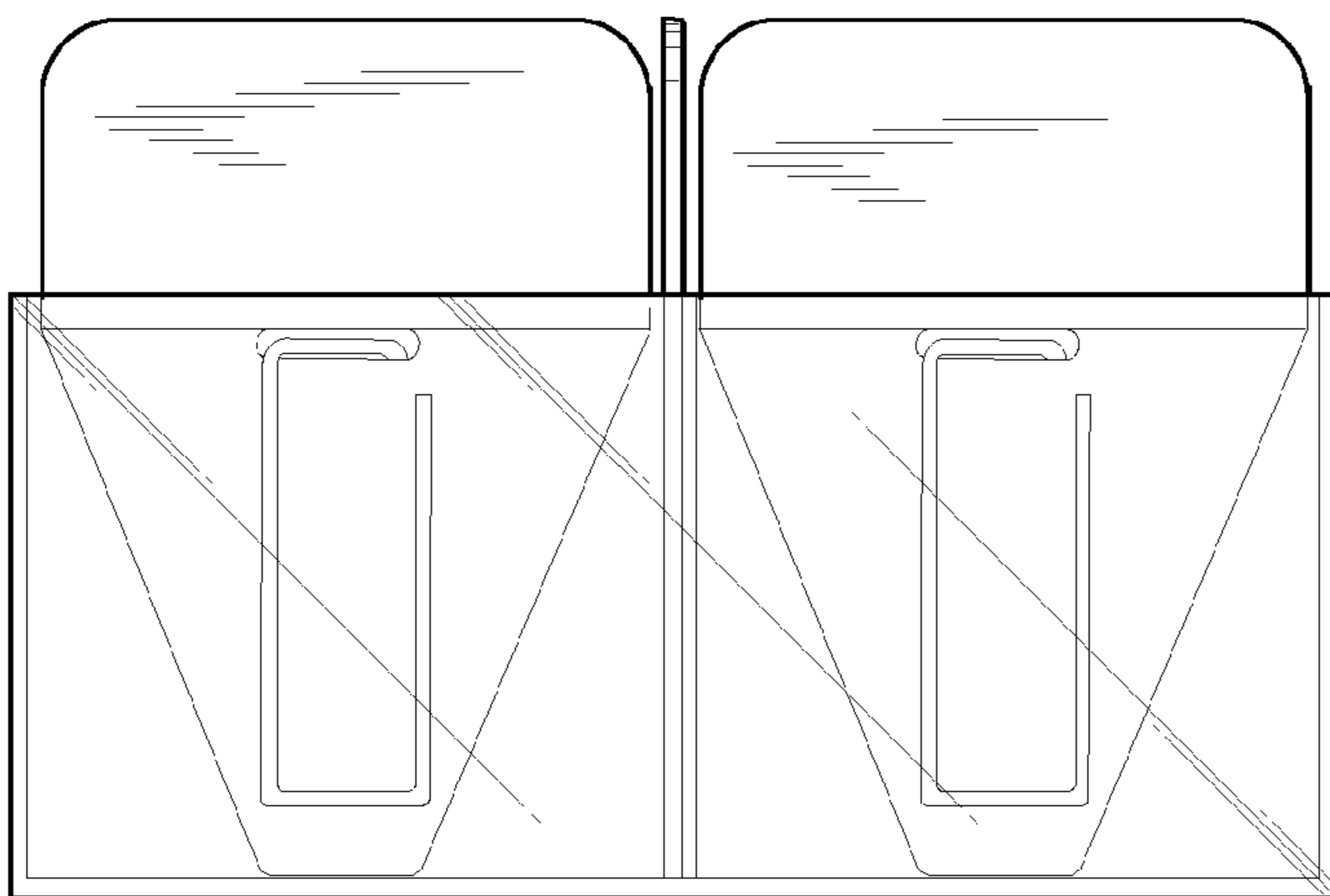


FIG. 57

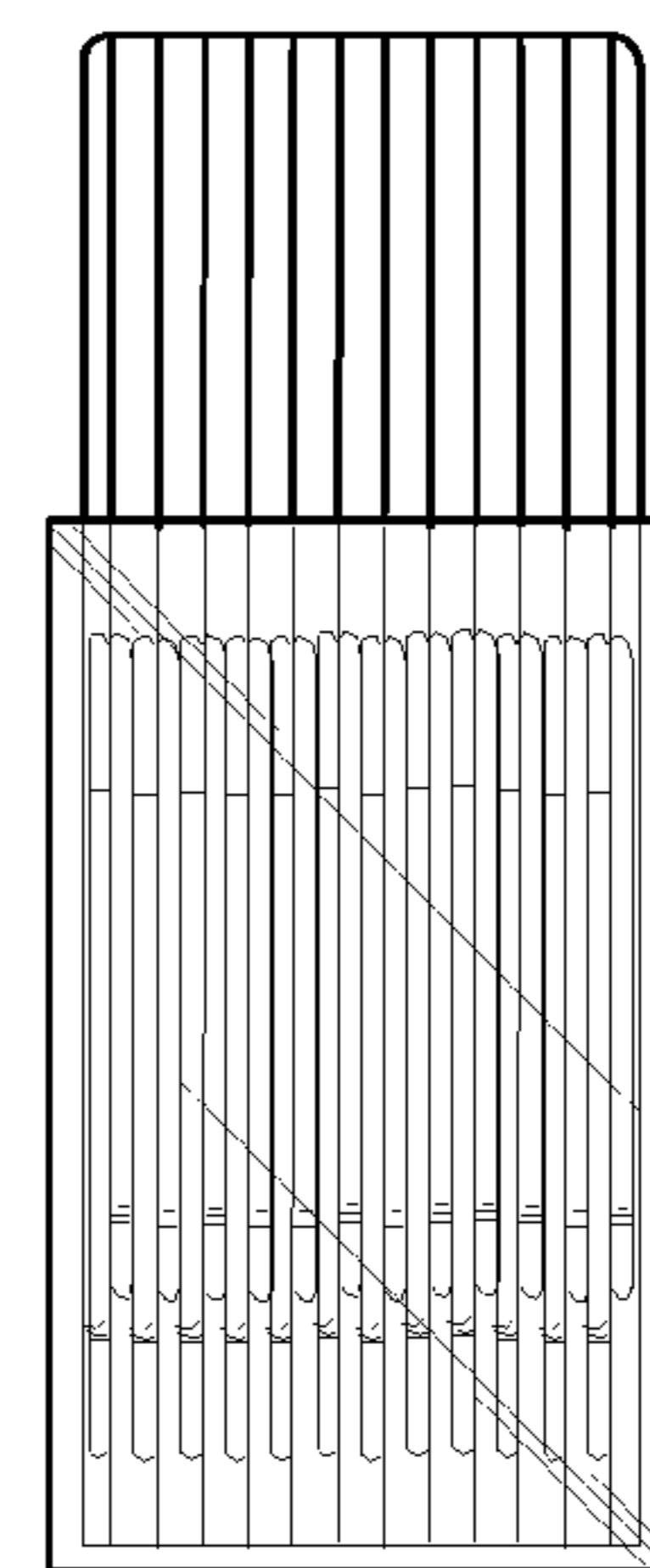


FIG. 58

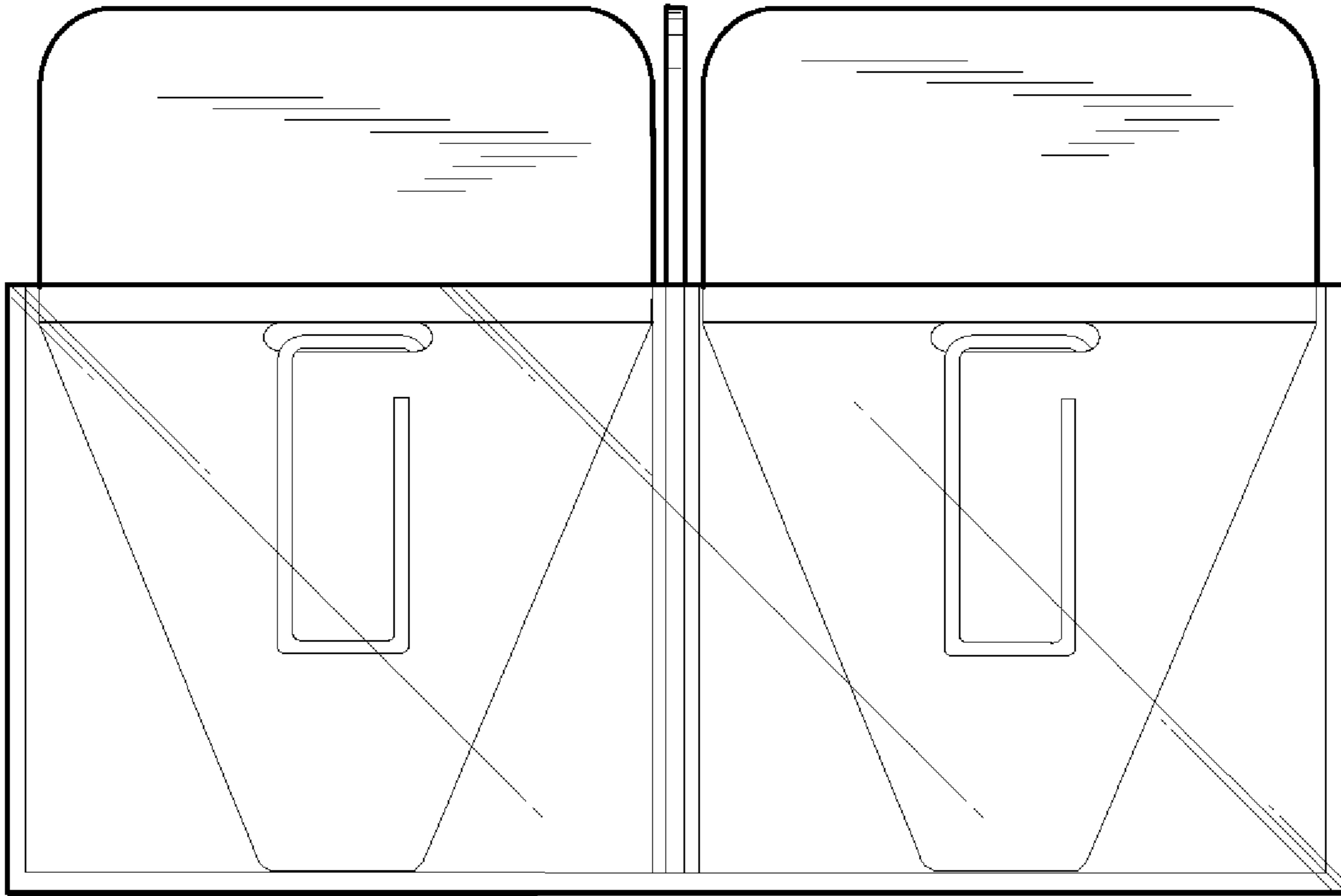


FIG. 59

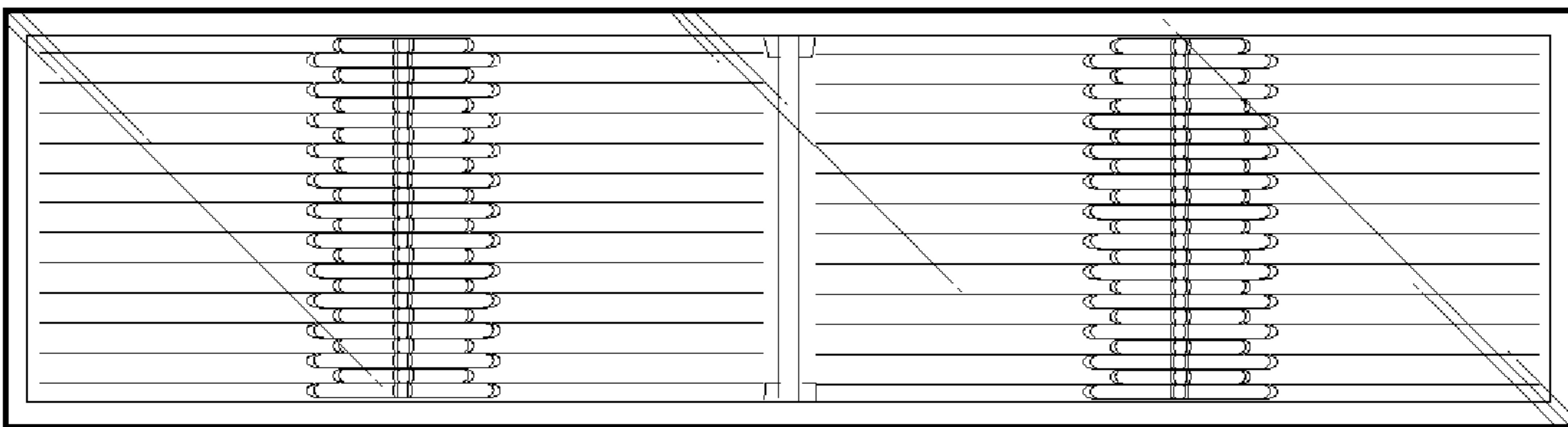


FIG. 60

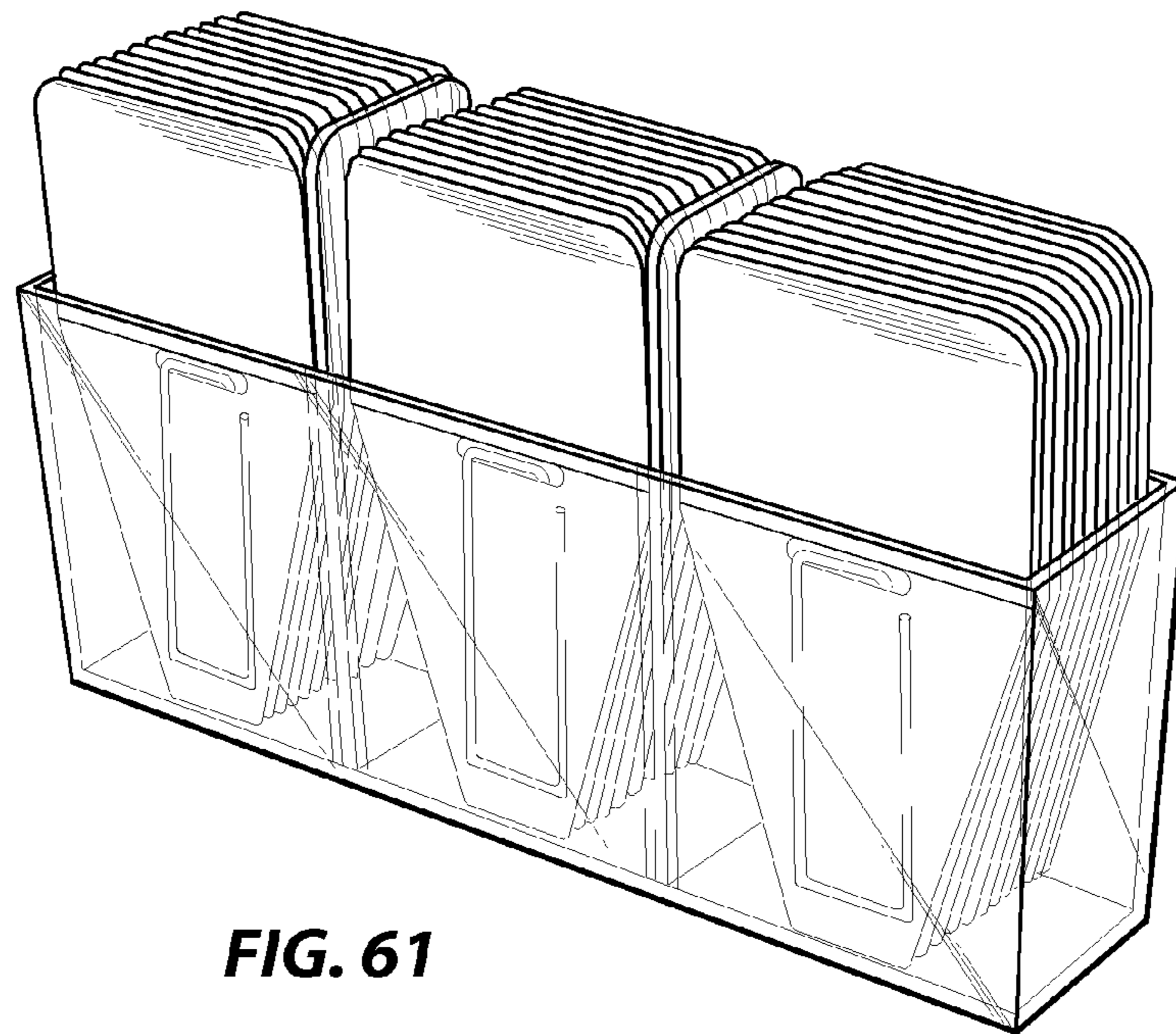


FIG. 61

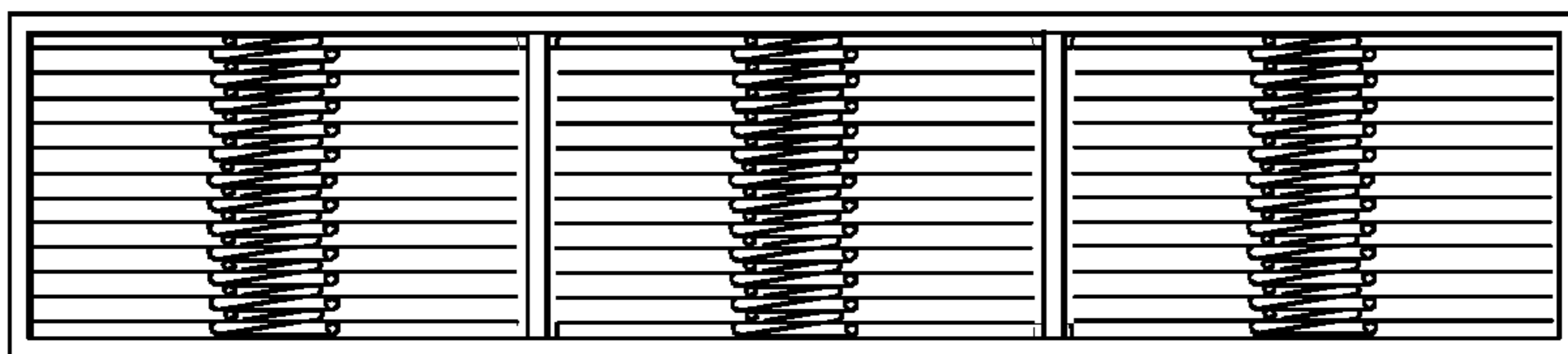


FIG. 62

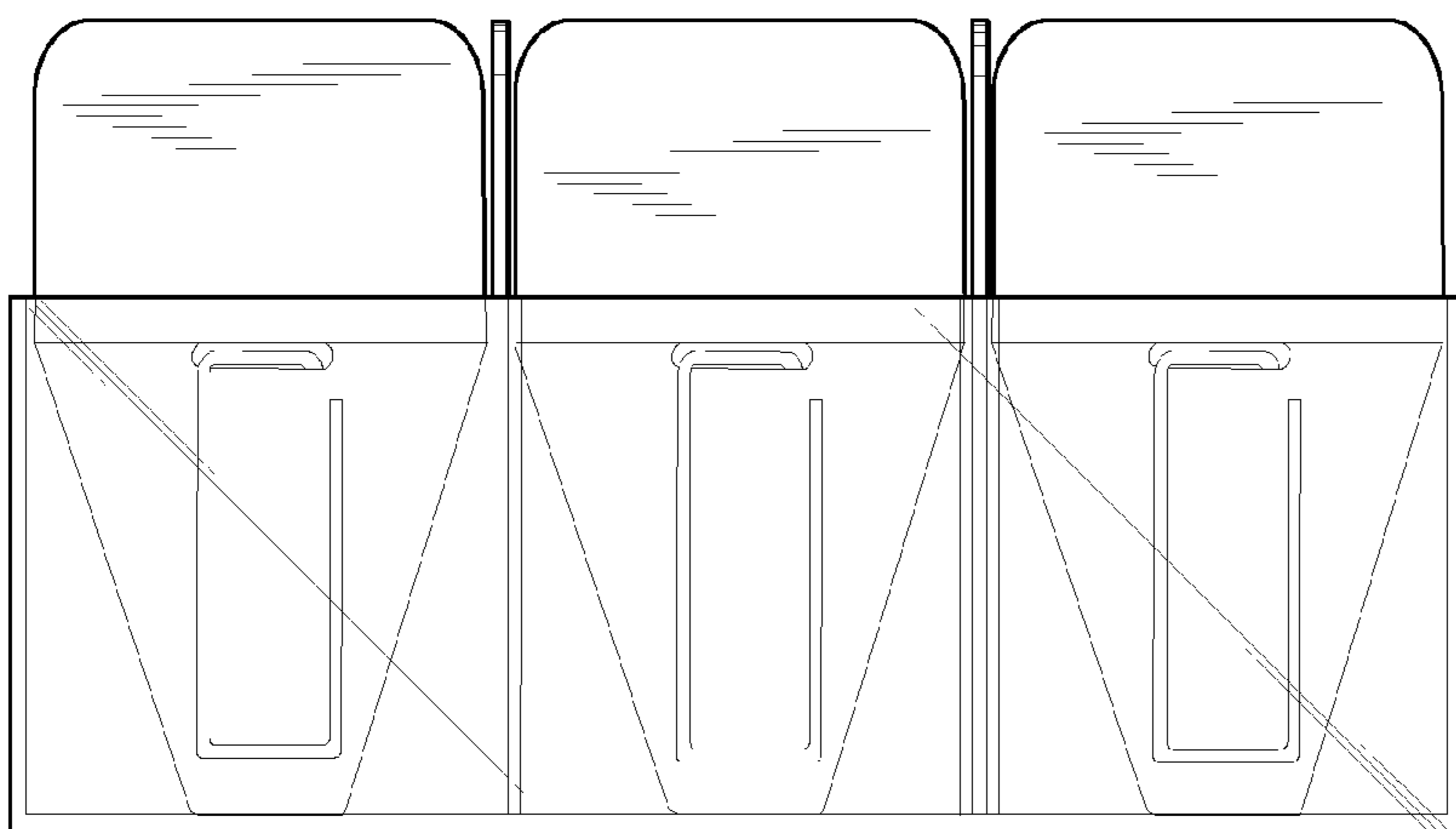


FIG. 63

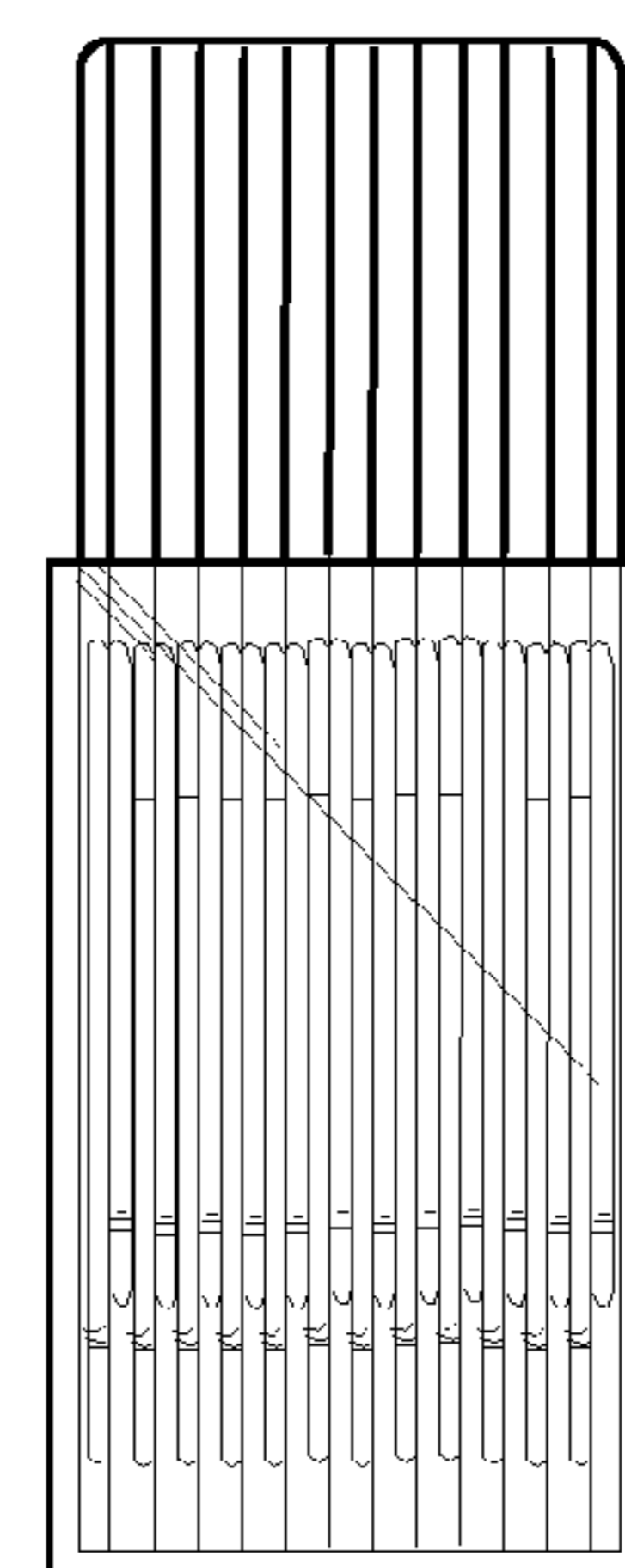


FIG. 64

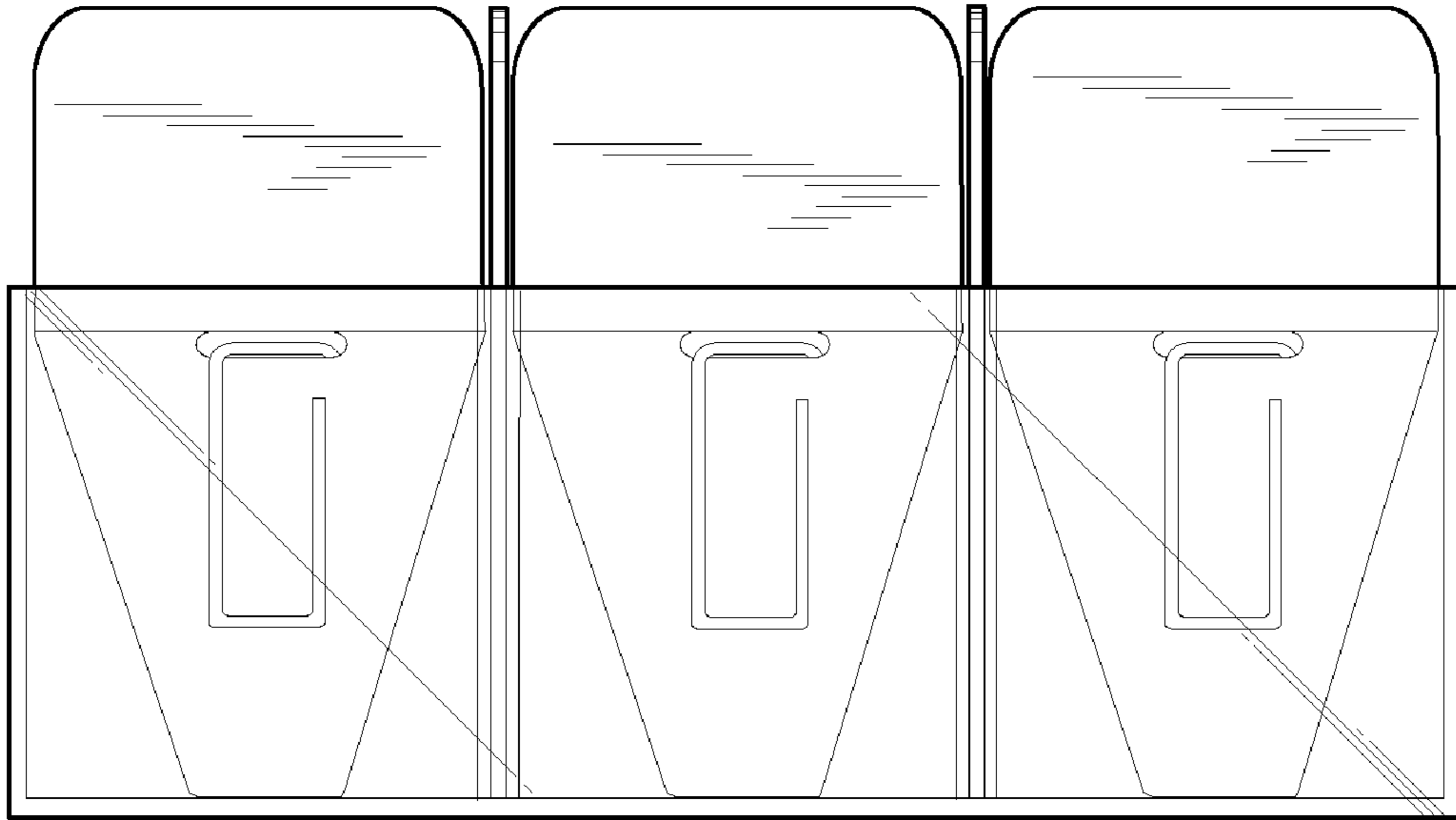


FIG. 65

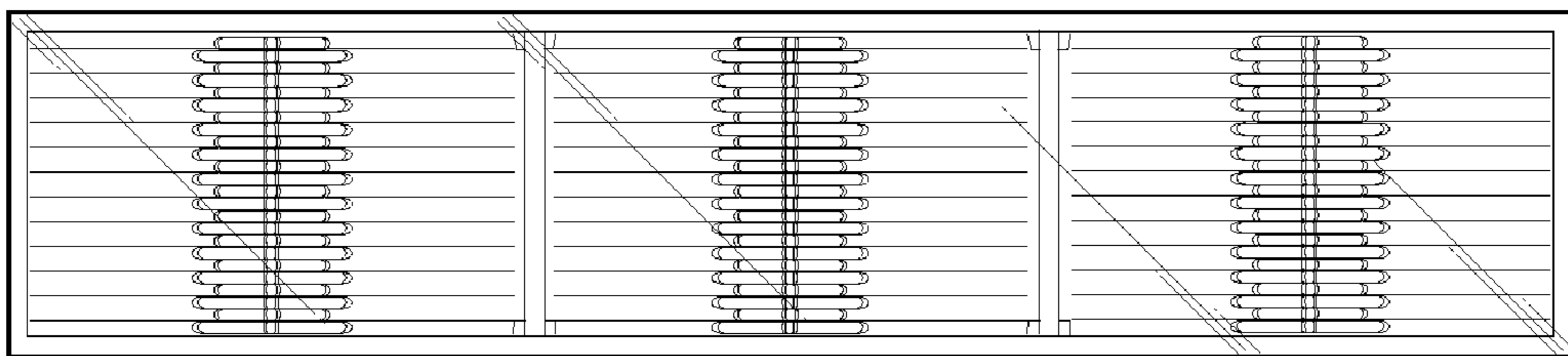


FIG. 66

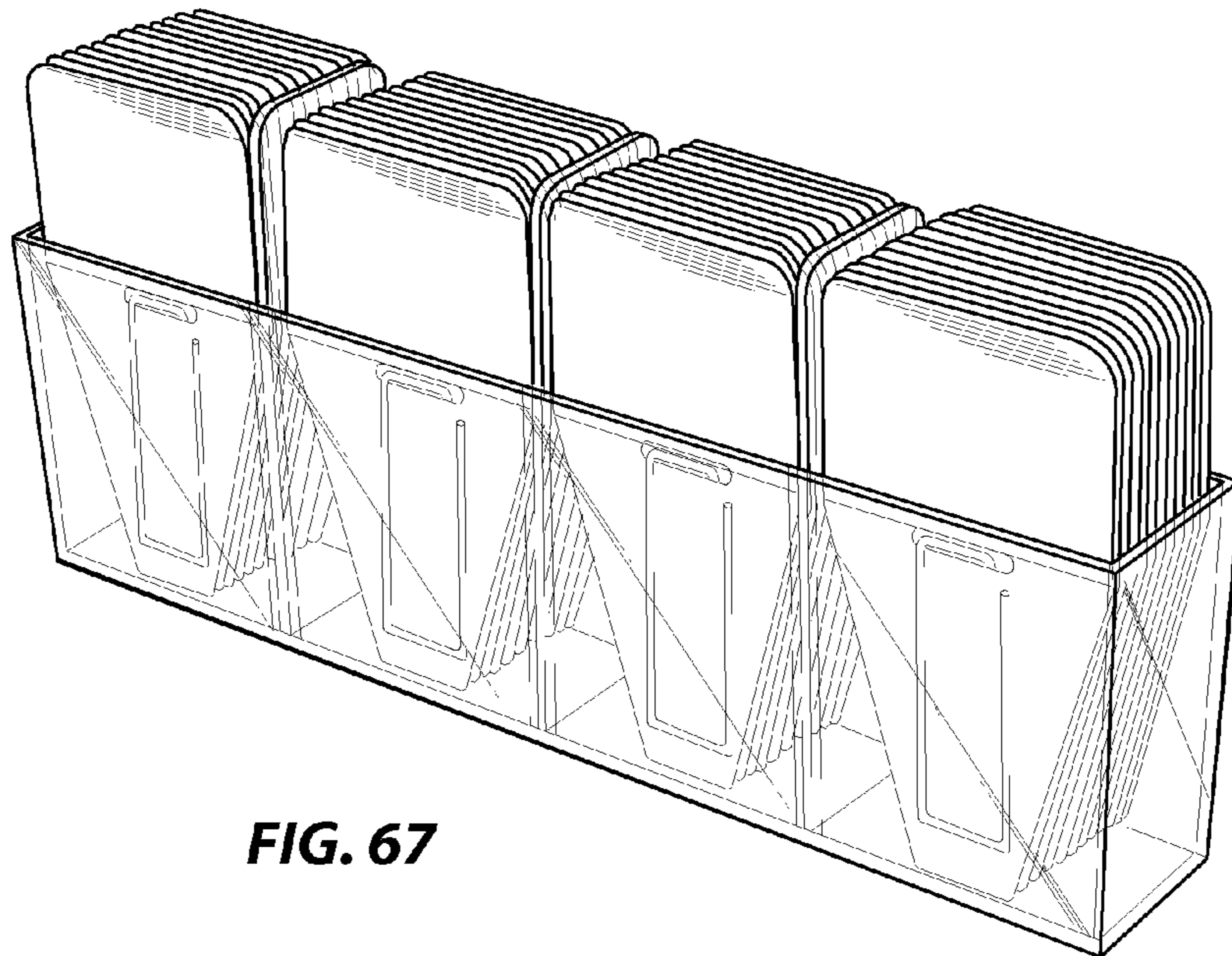


FIG. 67

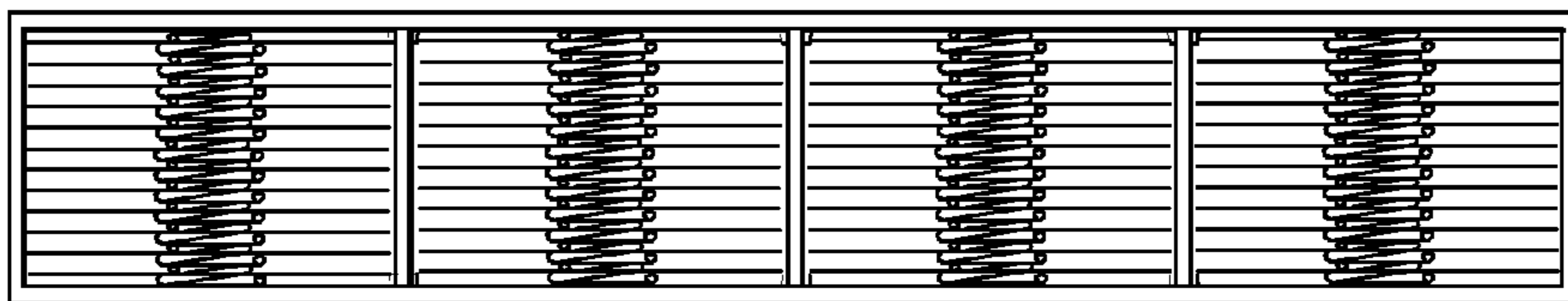


FIG. 68

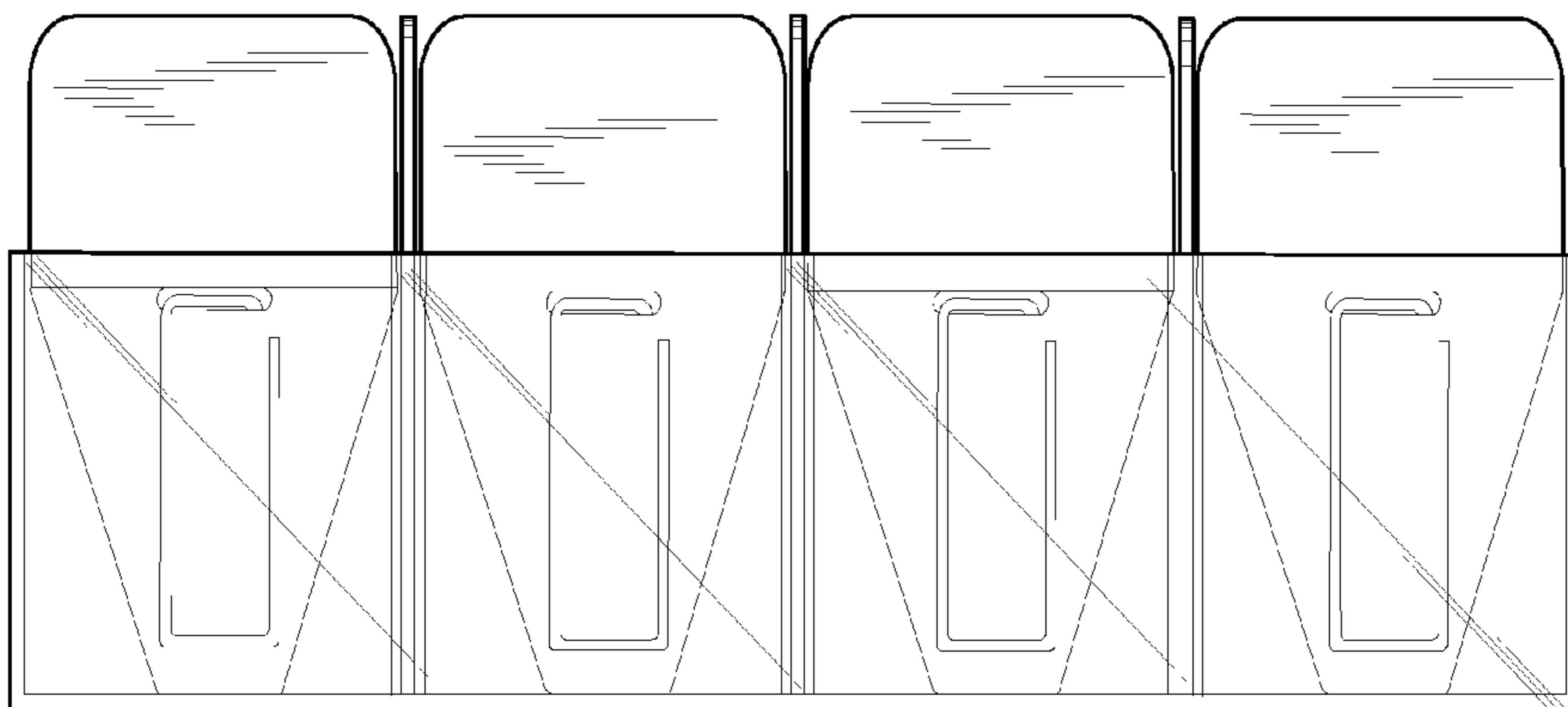


FIG. 69

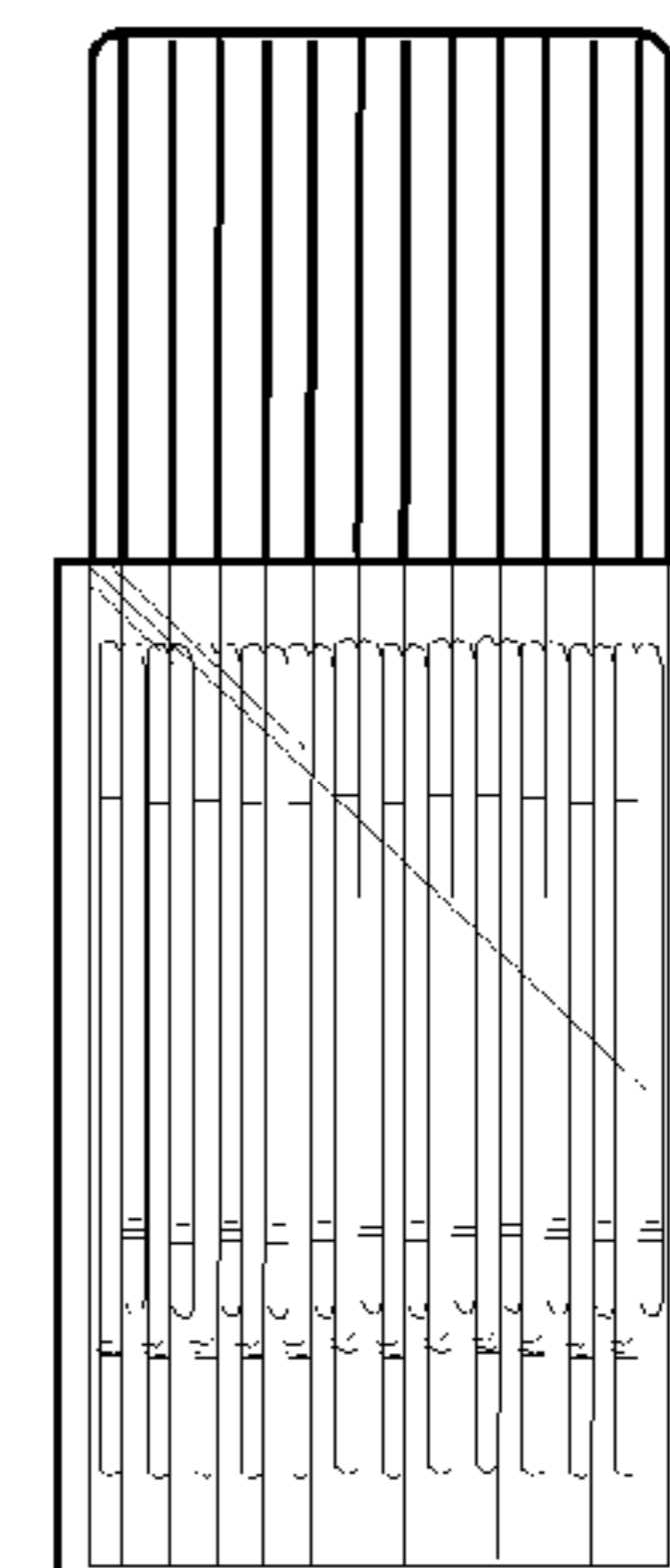


FIG. 70

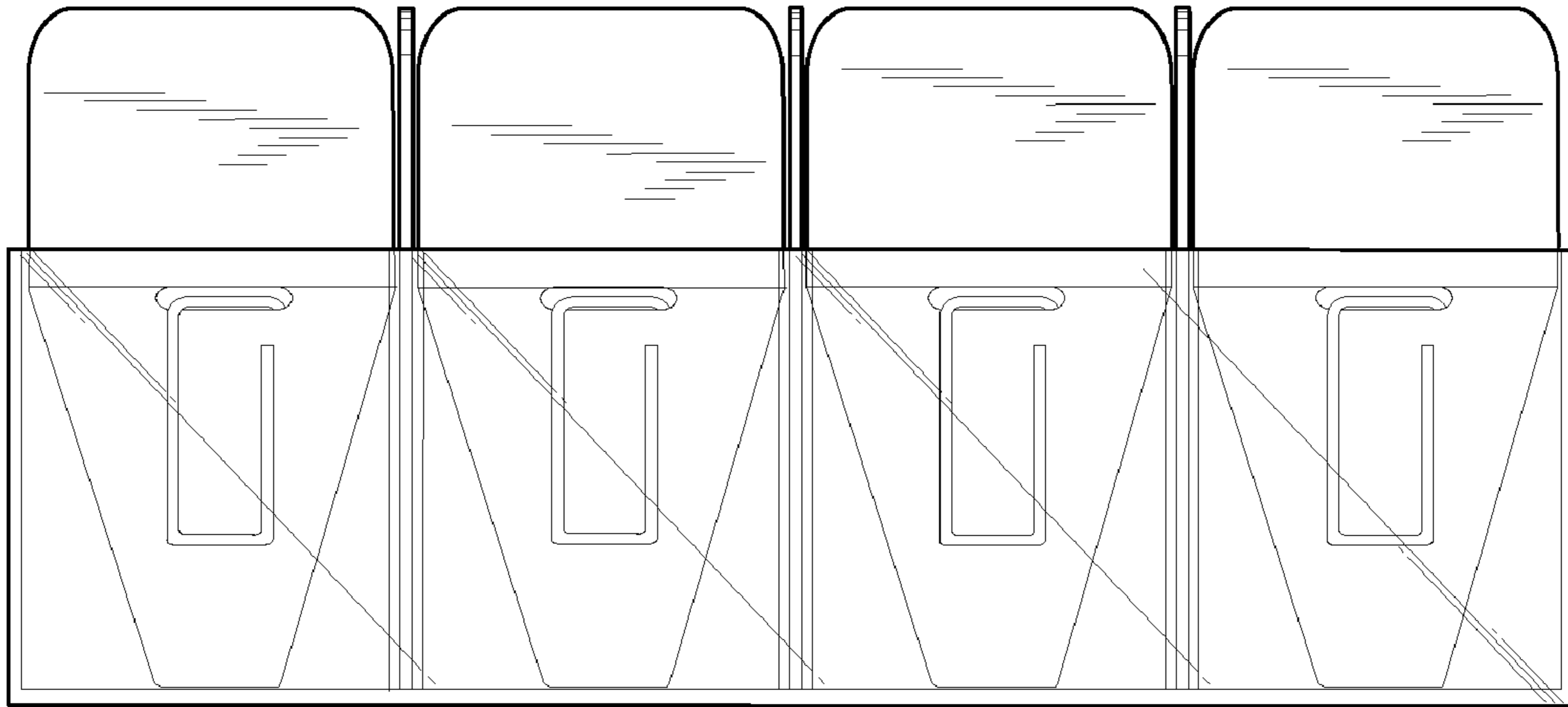


FIG. 71

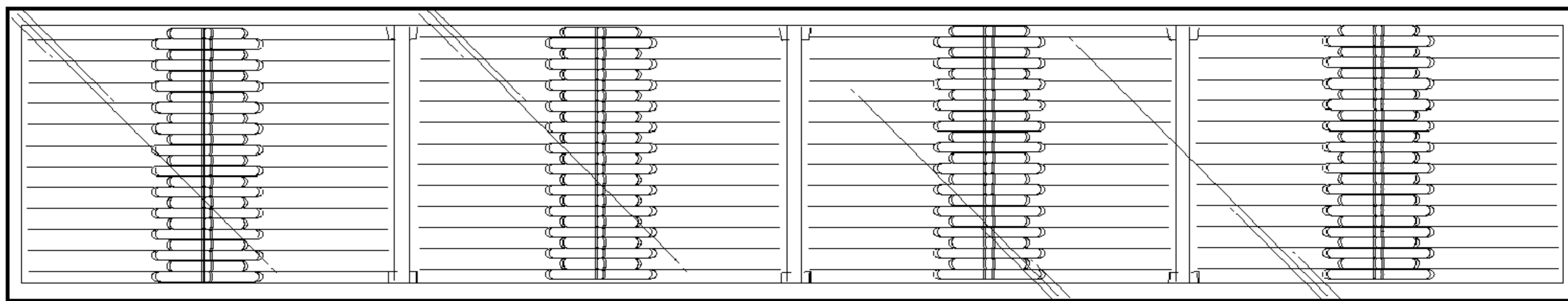


FIG. 72