



US00D573191S

(12) **United States Design Patent**
Lau

(10) **Patent No.:** **US D573,191 S**
(45) **Date of Patent:** **** Jul. 15, 2008**

(54) **INTEGRATED TABBED NOTE AND CLIP KIT**

(76) Inventor: **Janet K. Lau**, 1937 Abreu Way, Union City, CA (US) 94587

(**) Term: **14 Years**

(21) Appl. No.: **29/277,486**

(22) Filed: **Feb. 27, 2007**

(51) **LOC (8) Cl.** **19-02**

(52) **U.S. Cl.** **D19/65**

(58) **Field of Classification Search** D3/263,
D3/295, 302, 304, 313, 319; D6/475, 512,
D6/515, 629; D9/414, 432; D19/1, 2, 5,
D19/6, 34, 65, 75, 86, 90, 91, 99, 100; D20/27,
D20/40, 43; 24/67.3, 67 R, 67.9, 489, 67.11,
24/531, 545, 546, 547, 551, 552, 555; 40/300,
40/301, 302, 360, 384, 641, 649, 653, 658,
40/659, 666; 116/236, 237; 206/39, 214,
206/215, 223, 268, 425, 449, 470, 576, 736,
206/183

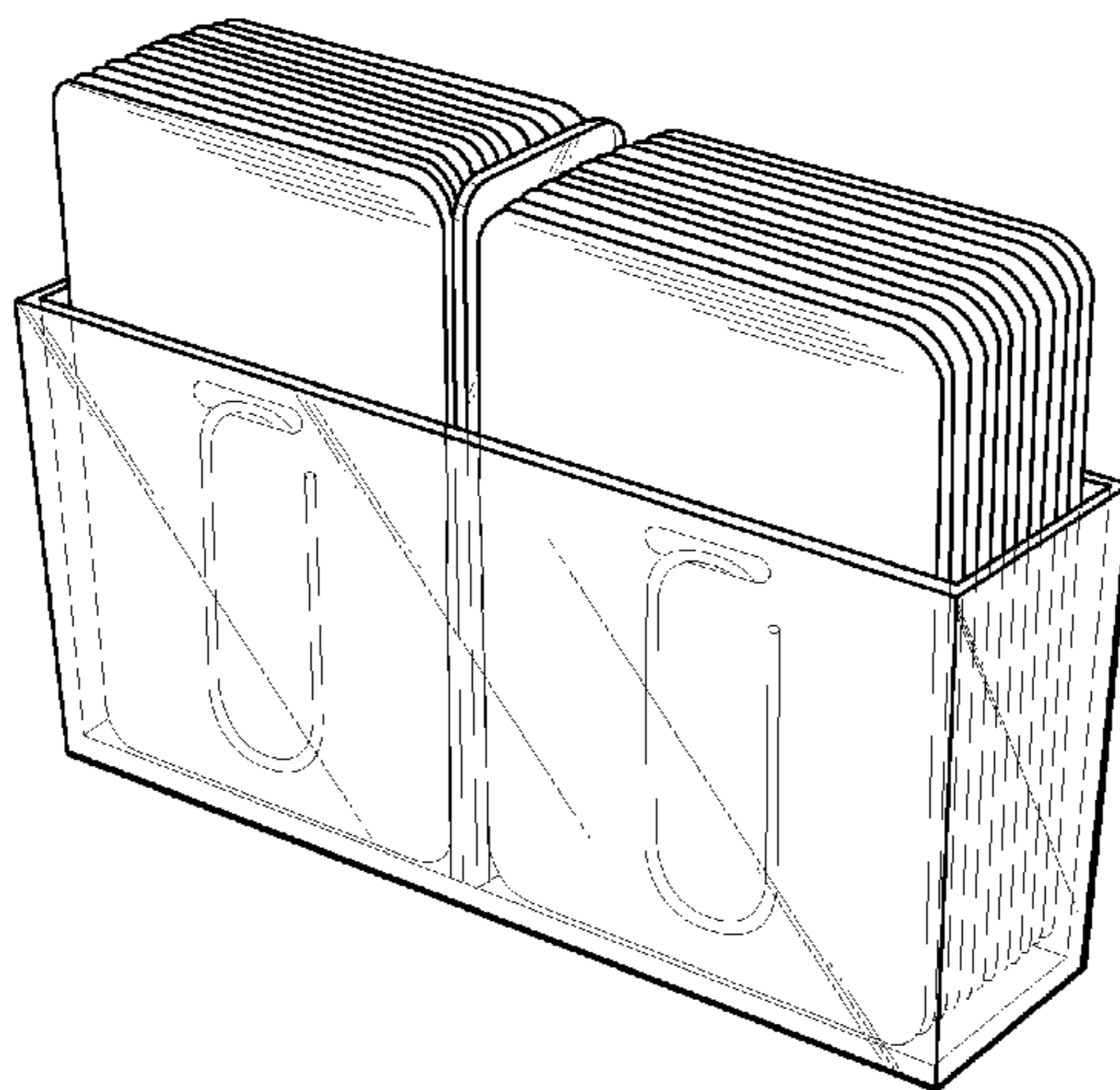
See application file for complete search history.

(56) **References Cited**

U.S. PATENT DOCUMENTS

332,327 A	12/1885	Clark
863,265 A	8/1907	Crouse
876,252 A	1/1908	Baker
962,397 A	6/1910	Whitmore
1,052,505 A	2/1913	Munger et al.
1,123,008 A	12/1914	Rice
1,133,664 A *	3/1915	Plummer 24/555
1,158,940 A	11/1915	Litt et al.
1,178,113 A	4/1916	Turton et al.
D50,594 S	4/1917	Voges
1,345,365 A	7/1920	Hutchison
1,465,576 A	8/1923	Biggs
1,501,067 A	7/1924	Schaffert
1,524,478 A	1/1925	Hunter
1,587,335 A	6/1926	Kline
1,661,165 A	3/1928	Cameron
1,778,031 A	10/1930	Kinch
1,802,980 A	4/1931	Marsh

1,826,580 A	10/1931	Spinney
1,840,604 A	1/1932	Randall
1,894,906 A	1/1933	Henry
1,914,671 A	6/1933	O'Neil
1,976,465 A	10/1934	Thomson
1,977,096 A	10/1934	Straubel
1,985,866 A	12/1934	Lankenau
1,997,894 A	4/1935	Woodley
2,008,019 A	7/1935	Horlick, Jr.
D104,956 S	6/1937	Baker
2,097,690 A	11/1937	Ferngren
2,118,043 A	5/1938	Goza
2,156,743 A	5/1939	Skrebba
2,218,438 A	10/1940	Robinson
2,323,552 A	7/1943	Marion
D136,639 S	11/1943	Hoffman
2,362,445 A	11/1944	Blodgett
2,415,248 A	2/1947	Kenna et al.
2,420,021 A	5/1947	Straubel
2,575,257 A	11/1951	Boulware
2,623,311 A	12/1952	Condon
2,695,026 A	11/1954	Broneer
2,911,104 A	11/1959	Hooper
3,073,046 A	1/1963	Condon
3,092,301 A	6/1963	Selle
3,123,924 A	3/1964	Roberts
3,225,469 A	12/1965	Chase
3,247,602 A	4/1966	Hamilton et al.
3,290,810 A	12/1966	Morena
3,360,877 A	1/1968	Estep
3,813,813 A	6/1974	Powell
3,934,368 A	1/1976	Fearing
D241,342 S	9/1976	Carroll
4,012,087 A *	3/1977	Edwards, Jr. 312/183
D259,748 S *	7/1981	Outcalt D3/263
4,300,268 A *	11/1981	Wilson 24/67 R
D268,848 S	5/1983	Lorber
4,384,417 A	5/1983	Thompson
4,425,724 A	1/1984	Scott
4,597,139 A *	7/1986	Lau 24/546
4,602,712 A *	7/1986	Williams 206/39
4,646,455 A	3/1987	Gardner
4,667,622 A *	5/1987	Breault 119/165
4,691,458 A	9/1987	Scott
D295,540 S	5/1988	Rabig
D299,094 S	12/1988	Mills
4,854,464 A *	8/1989	Kim 220/528
4,878,302 A	11/1989	Jowsey
4,951,408 A	8/1990	Banks



D314,012	S	1/1991	Klodt	
D327,183	S	6/1992	Meyer	
5,199,203	A	4/1993	Jones	
D337,940	S	8/1993	Aquino	
D348,390	S	7/1994	Van Ness	
D352,855	S	11/1994	Wolff	
5,481,784	A	1/1996	Sinaiko	
D368,487	S *	4/1996	Lindberg	D19/1
D382,405	S	8/1997	Ohayon	
D383,789	S	9/1997	Shyu	
5,695,219	A	12/1997	Crawford	
5,870,802	A *	2/1999	Goldman	24/67.9
5,887,900	A *	3/1999	Raymond	281/22
D409,245	S	5/1999	Wolff	
D416,040	S	11/1999	Kasom et al.	
5,996,130	A	12/1999	Verhines	
D443,762	S *	6/2001	Park	D3/295
6,272,727	B1 *	8/2001	Fish	29/428
D452,153	S	12/2001	Dardashti	
D465,525	S	11/2002	Dilday	
D474,688	S	5/2003	Litts	
D476,172	S	6/2003	Bourne, Sr.	
D503,042	S *	3/2005	Gutierrez et al.	D3/302
6,959,508	B2 *	11/2005	Watkins et al.	40/641
D535,102	S *	1/2007	Matsuda	D3/302
D540,869	S *	4/2007	Lau	D19/65
D541,346	S *	4/2007	Lau	D19/65
2004/0064920	A1 *	4/2004	Arduini	24/67.9
2004/0221493	A1	11/2004	LaMalfa	
2005/0217078	A1	10/2005	Groch et al.	
2006/0000133	A1	1/2006	Windorski	
2006/0107496	A1 *	5/2006	Cheng	24/67.9
2007/0067966	A1 *	3/2007	Flores	24/67.3
2007/0209264	A1 *	9/2007	Lau	40/641

FOREIGN PATENT DOCUMENTS

JP	09-071065	A	3/1997
JP	2001-353992	A	12/2001

* cited by examiner

Primary Examiner—Cathron Brooks
 Assistant Examiner—Austin Murphy
 (74) Attorney, Agent, or Firm—Aka Chan LLP

(57) CLAIM

The ornamental design for an integrated tabbed note and clip kit, as shown and described.

DESCRIPTION

FIG. 1 shows a perspective view of a first embodiment of a design for an integrated tabbed note and clip kit.
 FIG. 2 shows a top view of the first embodiment.
 FIG. 3 shows a front view of the first embodiment.
 FIG. 4 shows a right-side view of the first embodiment. A left-side view of this embodiment is a mirror image of this figure.
 FIG. 5 shows a back view of the first embodiment.
 FIG. 6 shows a bottom view of the first embodiment.
 FIG. 7 shows a perspective view of a second embodiment of a design for an integrated tabbed note and clip kit.
 FIG. 8 shows a top view of the second embodiment.
 FIG. 9 shows a front view of the second embodiment.
 FIG. 10 shows a right-side view of the second embodiment. A left-side view of this embodiment is a mirror image of this figure.

FIG. 11 shows a back view of the second embodiment.
 FIG. 12 shows a bottom view of the second embodiment.
 FIG. 13 shows a perspective view of a third embodiment of a design for an integrated tabbed note and clip kit.
 FIG. 14 shows a top view of the third embodiment.
 FIG. 15 shows a front view of the third embodiment.
 FIG. 16 shows a right-side view of the third embodiment. A left-side view of this embodiment is a mirror image of this figure.
 FIG. 17 shows a back view of the third embodiment.
 FIG. 18 shows a bottom view of the third embodiment.
 FIG. 19 shows a perspective view of a fourth embodiment of a design for an integrated tabbed note and clip kit.
 FIG. 20 shows a top view of the fourth embodiment.
 FIG. 21 shows a front view of the fourth embodiment.
 FIG. 22 shows a right-side view of the fourth embodiment. A left-side view of this embodiment is a mirror image of this figure.
 FIG. 23 shows a back view of the fourth embodiment.
 FIG. 24 shows a bottom view of the fourth embodiment.
 FIG. 25 shows a perspective view of a fifth embodiment of a design for an integrated tabbed note and clip kit.
 FIG. 26 shows a top view of the fifth embodiment.
 FIG. 27 shows a front view of the fifth embodiment.
 FIG. 28 shows a right-side view of the fifth embodiment. A left-side view of this embodiment is a mirror image of this figure.
 FIG. 29 shows a back view of the fifth embodiment.
 FIG. 30 shows a bottom view of the fifth embodiment.
 FIG. 31 shows a perspective view of a sixth embodiment of a design for an integrated tabbed note and clip kit.
 FIG. 32 shows a top view of the sixth embodiment.
 FIG. 33 shows a front view of the sixth embodiment.
 FIG. 34 shows a right-side view of the sixth embodiment. A left-side view of this embodiment is a mirror image of this figure.
 FIG. 35 shows a back view of the sixth embodiment.
 FIG. 36 shows a bottom view of the sixth embodiment.
 FIG. 37 shows a perspective view of a seventh embodiment of a design for an integrated tabbed note and clip kit.
 FIG. 38 shows a top view of the seventh embodiment.
 FIG. 39 shows a front view of the seventh embodiment.
 FIG. 40 shows a right-side view of the seventh embodiment. A left-side view of this embodiment is a mirror image of this figure.
 FIG. 41 shows a back view of the seventh embodiment.
 FIG. 42 shows a bottom view of the seventh embodiment.
 FIG. 43 shows a perspective view of an eighth embodiment of a design for an integrated tabbed note and clip kit.
 FIG. 44 shows a top view of the eighth embodiment.
 FIG. 45 shows a front view of the eighth embodiment.
 FIG. 46 shows a right-side view of the eighth embodiment. A left-side view of this embodiment is a mirror image of this figure.

FIG. 47 shows a back view of the eighth embodiment.

FIG. 48 shows a bottom view of the eighth embodiment.

FIG. 49 shows a perspective view of a ninth embodiment of a design for an integrated tabbed note and clip kit.

FIG. 50 shows a top view of the ninth embodiment.

FIG. 51 shows a front view of the ninth embodiment.

FIG. 52 shows a right-side view of the ninth embodiment. A left-side view of this embodiment is a mirror image of this figure.

FIG. 53 shows a back view of the ninth embodiment.

FIG. 54 shows a bottom view of the ninth embodiment.

FIG. 55 shows a perspective view of a tenth embodiment of a design for an integrated tabbed note and clip kit.

FIG. 56 shows a top view of the tenth embodiment.

FIG. 57 shows a front view of the tenth embodiment.

FIG. 58 shows a right-side view of the tenth embodiment. A left-side view of this embodiment is a mirror image of this figure.

FIG. 59 shows a back view of the tenth embodiment.

FIG. 60 shows a bottom view of the tenth embodiment.

FIG. 61 shows a perspective view of an eleventh embodiment of a design for an integrated tabbed note and clip kit.

FIG. 62 shows a top view of the eleventh embodiment.

FIG. 63 shows a front view of the eleventh embodiment.

FIG. 64 shows a right-side view of the eleventh embodiment. A left-side view of this embodiment is a mirror image of this figure.

FIG. 65 shows a back view of the eleventh embodiment.

FIG. 66 shows a bottom view of the eleventh embodiment.

FIG. 67 shows a perspective view of a twelfth embodiment of a design for an integrated tabbed note and clip kit.

FIG. 68 shows a top view of the twelfth embodiment.

FIG. 69 shows a front view of the twelfth embodiment.

FIG. 70 shows a right-side view of the twelfth embodiment. A left-side view of this embodiment is a mirror image of this figure.

FIG. 71 shows a back view of the twelfth embodiment.

FIG. 72 shows a bottom view of the twelfth embodiment.

FIG. 73 shows a perspective view of a thirteenth embodiment of a design for an integrated tabbed note and clip kit.

FIG. 74 shows a top view of the thirteenth embodiment.

FIG. 75 shows a front view of the thirteenth embodiment.

FIG. 76 shows a right-side view of the thirteenth embodiment. A left-side view of this embodiment is a mirror image of this figure.

FIG. 77 shows a back view of the thirteenth embodiment.

FIG. 78 shows a bottom view of the thirteenth embodiment.

FIG. 79 shows a perspective view of a fourteenth embodiment of a design for an integrated tabbed note and clip kit.

FIG. 80 shows a top view of the fourteenth embodiment.

FIG. 81 shows a front view of the fourteenth embodiment.

FIG. 82 shows a right-side view of the fourteenth embodiment. A left-side view of this embodiment is a mirror image of this figure.

FIG. 83 shows a back view of the fourteenth embodiment.

FIG. 84 shows a bottom view of the fourteenth embodiment.

FIG. 85 shows a perspective view of a fifteenth embodiment of a design for an integrated tabbed note and clip kit.

FIG. 86 shows a top view of the fifteenth embodiment.

FIG. 87 shows a front view of the fifteenth embodiment.

FIG. 88 shows a right-side view of the fifteenth embodiment. A left-side view of this embodiment is a mirror image of this figure.

FIG. 89 shows a back view of the fifteenth embodiment.

FIG. 90 shows a bottom view of the fifteenth embodiment.

FIG. 91 shows a perspective view of a sixteenth embodiment of a design for an integrated tabbed note and clip kit.

FIG. 92 shows a top view of the sixteenth embodiment.

FIG. 93 shows a front view of the sixteenth embodiment.

FIG. 94 shows a right-side view of the sixteenth embodiment. A left-side view of this embodiment is a mirror image of this figure.

FIG. 95 shows a back view of the sixteenth embodiment.

FIG. 96 shows a bottom view of the sixteenth embodiment.

FIG. 97 shows a perspective view of a seventeenth embodiment of a design for an integrated tabbed note and clip kit.

FIG. 98 shows a top view of the seventeenth embodiment.

FIG. 99 shows a front view of the seventeenth embodiment.

FIG. 100 shows a right-side view of the seventeenth embodiment. A left-side view of this embodiment is a mirror image of this figure.

FIG. 101 shows a back view of the seventeenth embodiment.

FIG. 102 shows a bottom view of the seventeenth embodiment.

FIG. 103 shows a perspective view of an eighteenth embodiment of a design for an integrated tabbed note and clip kit.

FIG. 104 shows a top view of the eighteenth embodiment.

FIG. 105 shows a front view of the eighteenth embodiment.

FIG. 106 shows a right-side view of the eighteenth embodiment. A left-side view of this embodiment is a mirror image of this figure.

FIG. 107 shows a back view of the eighteenth embodiment.

FIG. 108 shows a bottom view of the eighteenth embodiment.

FIG. 109 shows a perspective view of a nineteenth embodiment of a design for an integrated tabbed note and clip kit.

FIG. 110 shows a top view of the nineteenth embodiment.

FIG. 111 shows a front view of the nineteenth embodiment.

FIG. 112 shows a right-side view of the nineteenth embodiment. A left-side view of this embodiment is a mirror image of this figure.

FIG. 113 shows a back view of the nineteenth embodiment.

FIG. 114 shows a bottom view of the nineteenth embodiment.

FIG. 115 shows a perspective view of a twentieth embodiment of a design for an integrated tabbed note and clip kit.

FIG. 116 shows a top view of the twentieth embodiment.

FIG. 117 shows a front view of the twentieth embodiment.

FIG. 118 shows a right-side view of the twentieth embodiment. A left-side view of this embodiment is a mirror image of this figure.

FIG. 119 shows a back view of the twentieth embodiment.

FIG. 120 shows a bottom view of the twentieth embodiment.

FIG. 121 shows a perspective view of a twenty-first embodiment of a design for an integrated tabbed note and clip kit.

FIG. 122 shows a top view of the twenty-first embodiment.

FIG. 123 shows a front view of the twenty-first embodiment.

FIG. 124 shows a right-side view of the twenty-first embodiment. A left-side view of this embodiment is a mirror image of this figure.

FIG. 125 shows a back view of the twenty-first embodiment.

FIG. 126 shows a bottom view of the twenty-first embodiment.

FIG. 127 shows a perspective view of a twenty-second embodiment of a design for an integrated tabbed note and clip kit.

FIG. 128 shows a top view of the twenty-second embodiment.

FIG. 129 shows a front view of the twenty-second embodiment.

FIG. 130 shows a right-side view of the twenty-second embodiment. A left-side view of this embodiment is a mirror image of this figure.

FIG. 131 shows a back view of the twenty-second embodiment.

FIG. 132 shows a bottom view of the twenty-second embodiment.

FIG. 133 shows a perspective view of a twenty-third embodiment of a design for an integrated tabbed note and clip kit.

FIG. 134 shows a top view of the twenty-third embodiment.

FIG. 135 shows a front view of the twenty-third embodiment.

FIG. 136 shows a right-side view of the twenty-third embodiment. A left-side view of this embodiment is a mirror image of this figure.

FIG. 137 shows a back view of the twenty-third embodiment.

FIG. 138 shows a bottom view of the twenty-third embodiment.

FIG. 139 shows a perspective view of a twenty-fourth embodiment of a design for an integrated tabbed note and clip kit.

FIG. 140 shows a top view of the twenty-fourth embodiment.

FIG. 141 shows a front view of the twenty-fourth embodiment.

FIG. 142 shows a right-side view of the twenty-fourth embodiment. A left-side view of this embodiment is a mirror image of this figure.

FIG. 143 shows a back view of the twenty-fourth embodiment; and,

FIG. 144 shows a bottom view of the twenty-fourth embodiment.

1 Claim, 48 Drawing Sheets

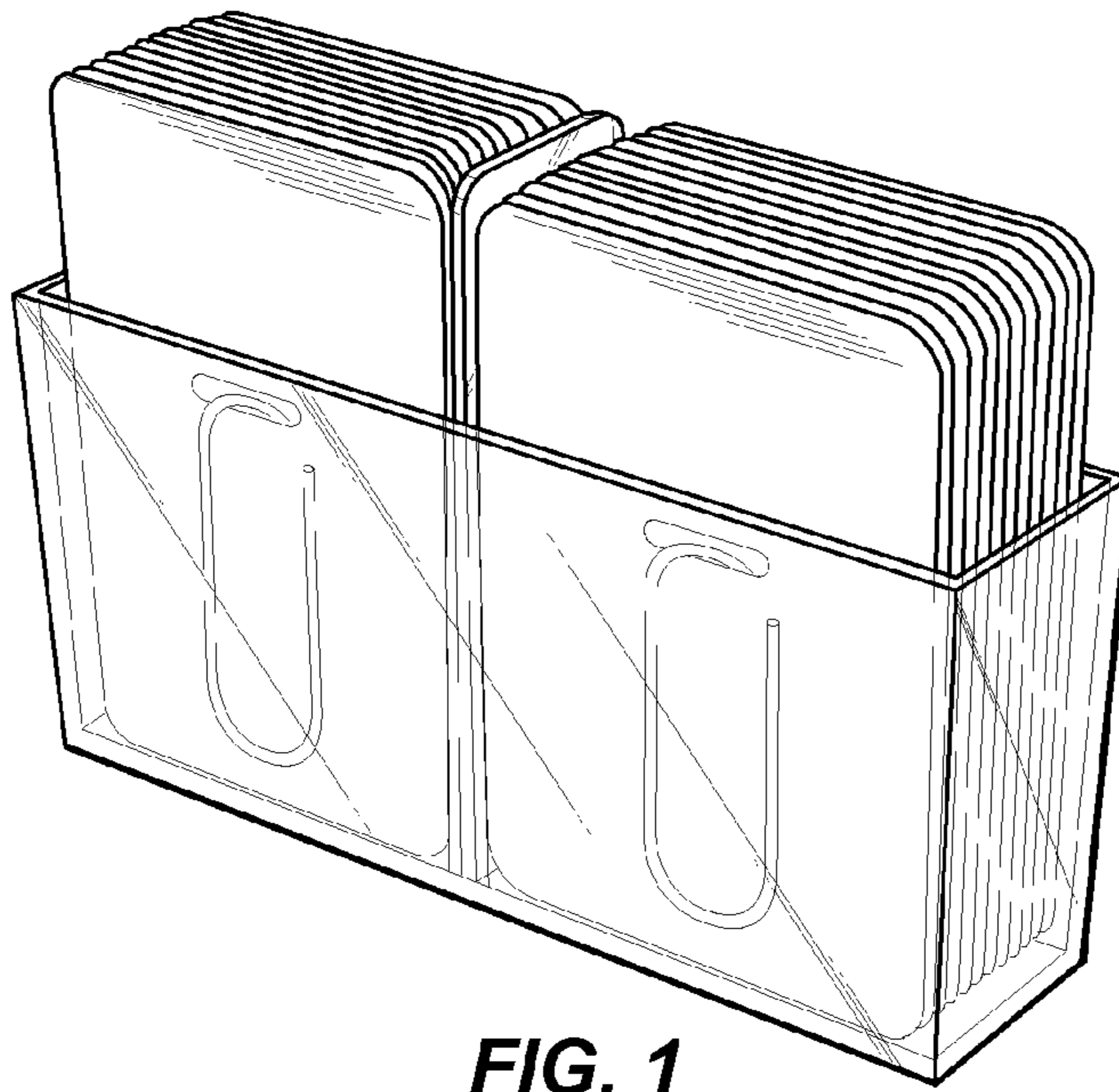


FIG. 1

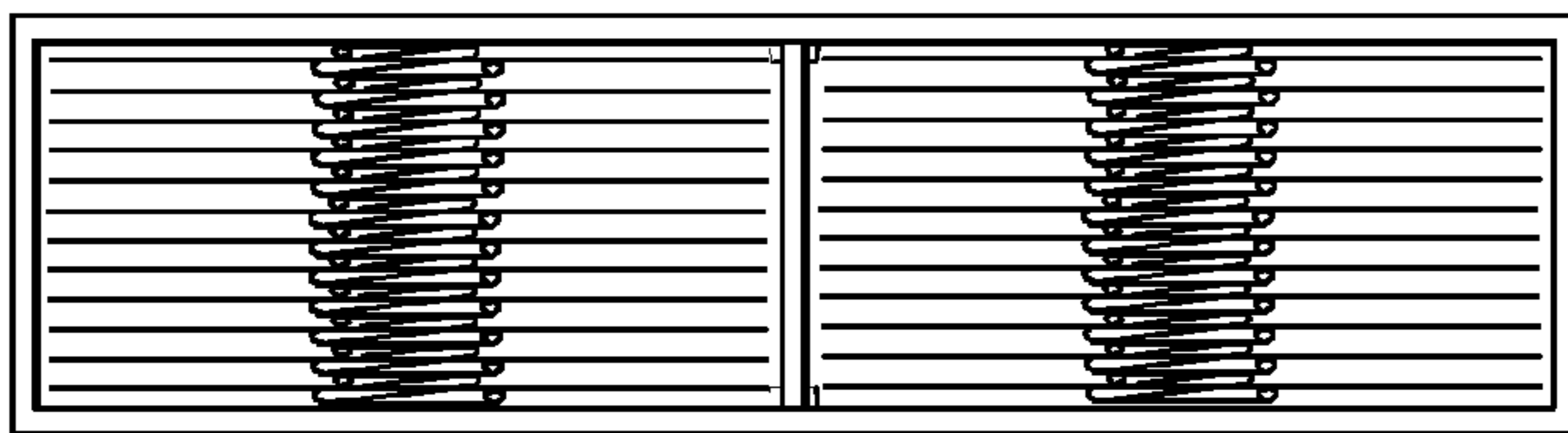


FIG. 2

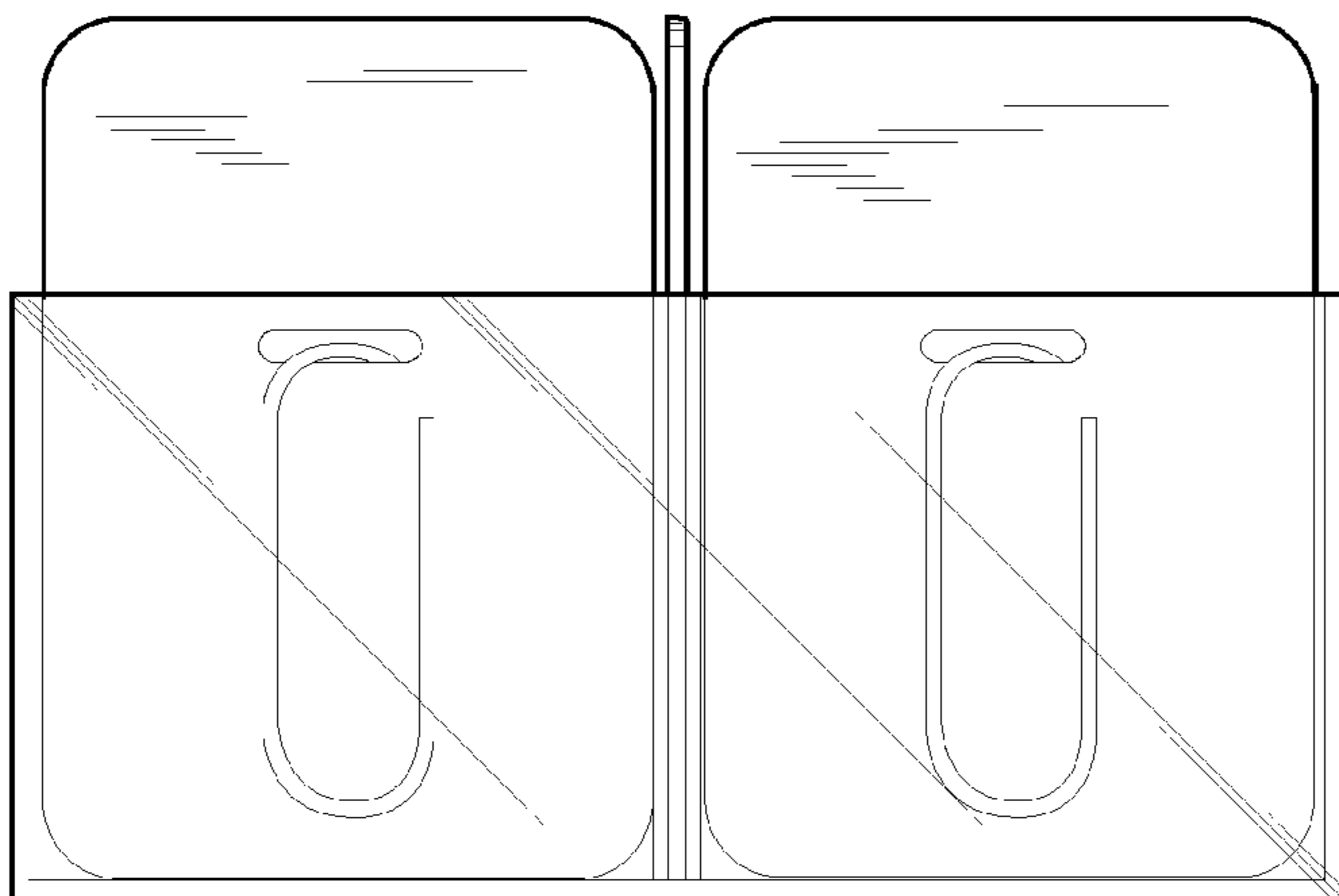


FIG. 3

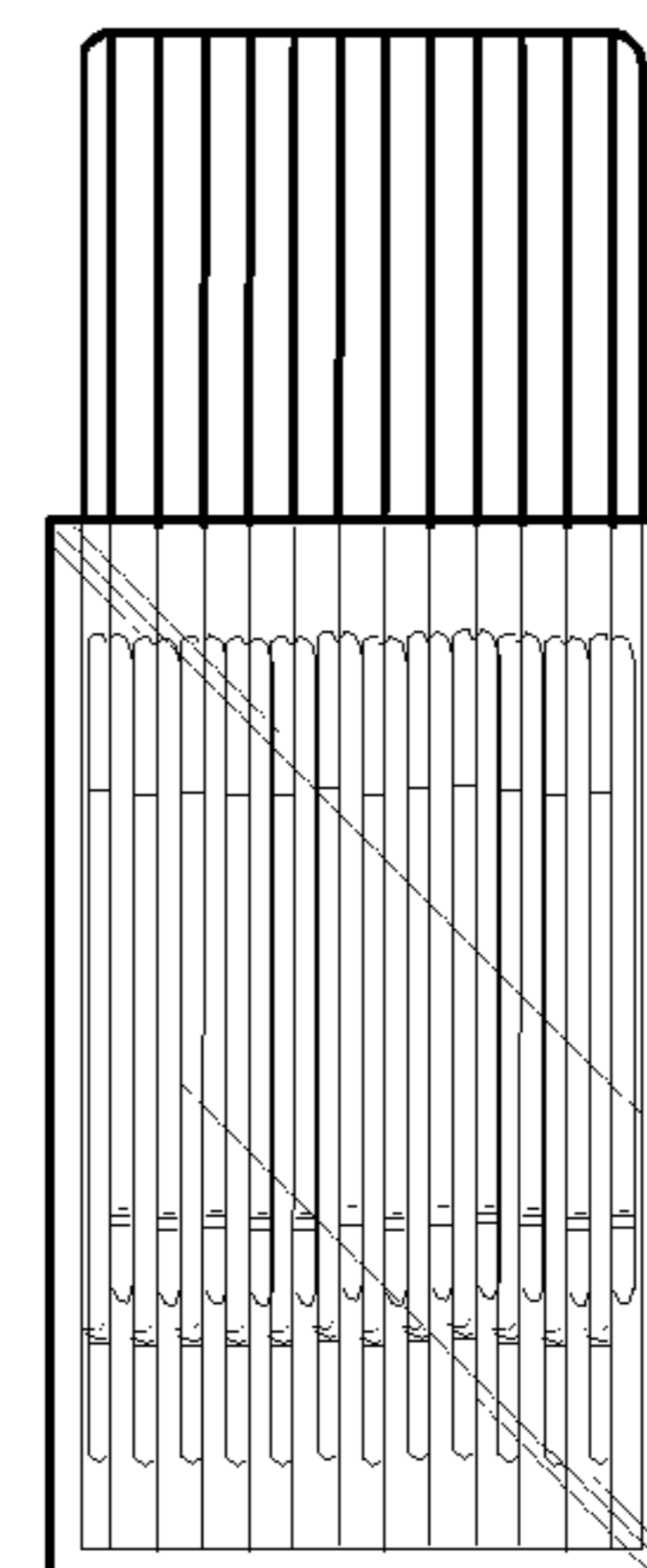


FIG. 4

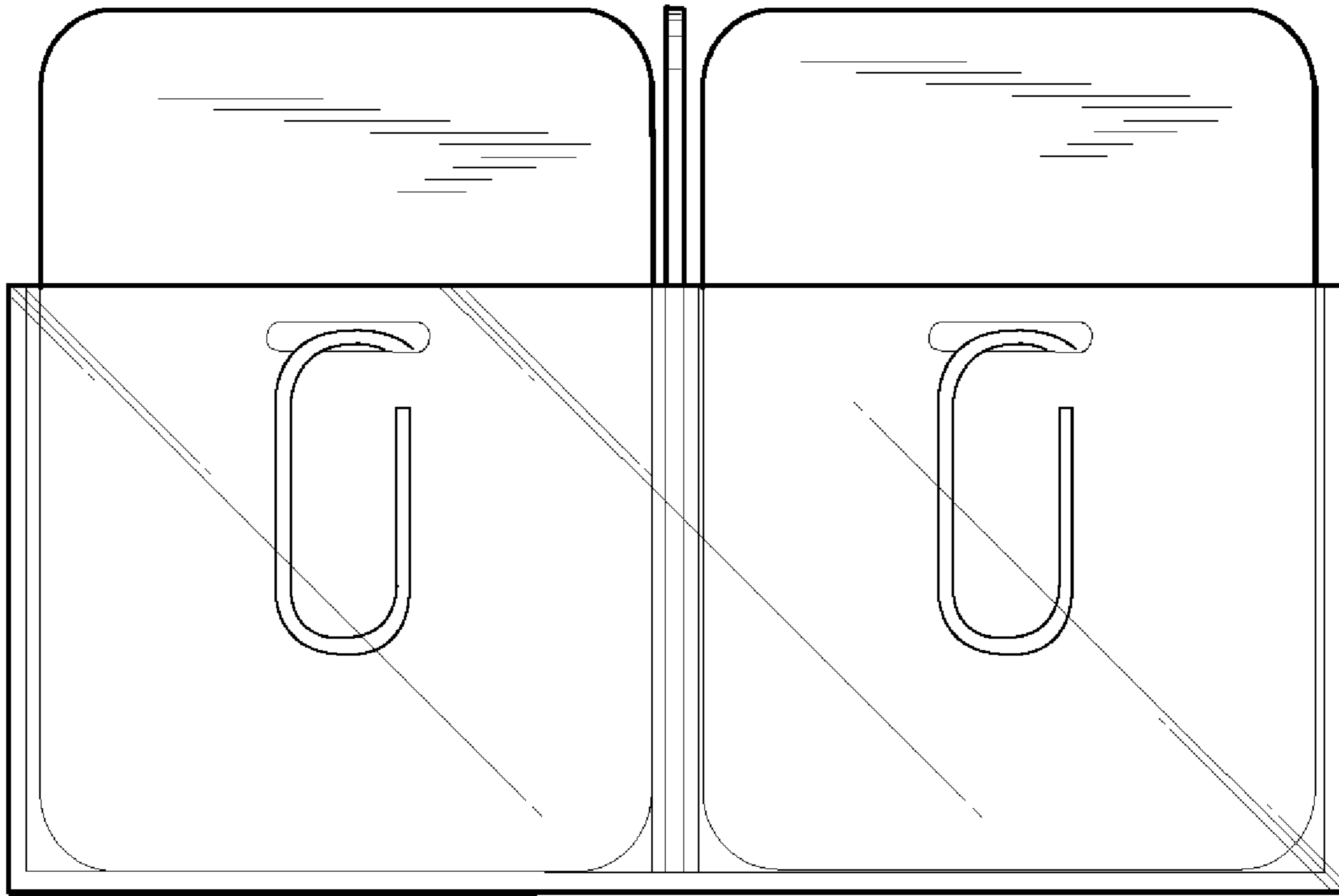


FIG. 5

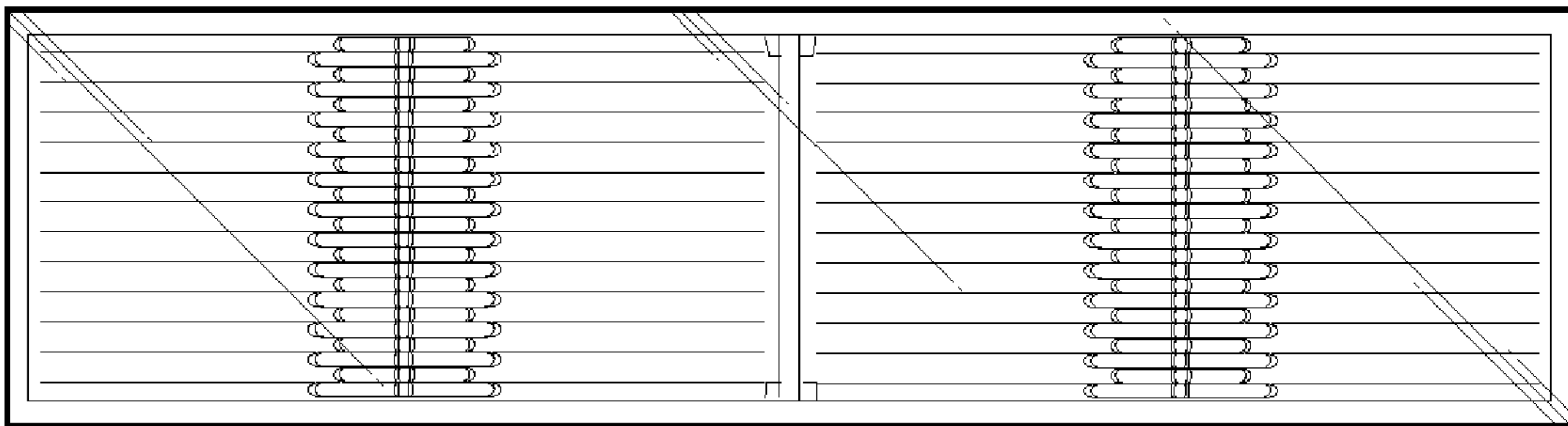


FIG. 6

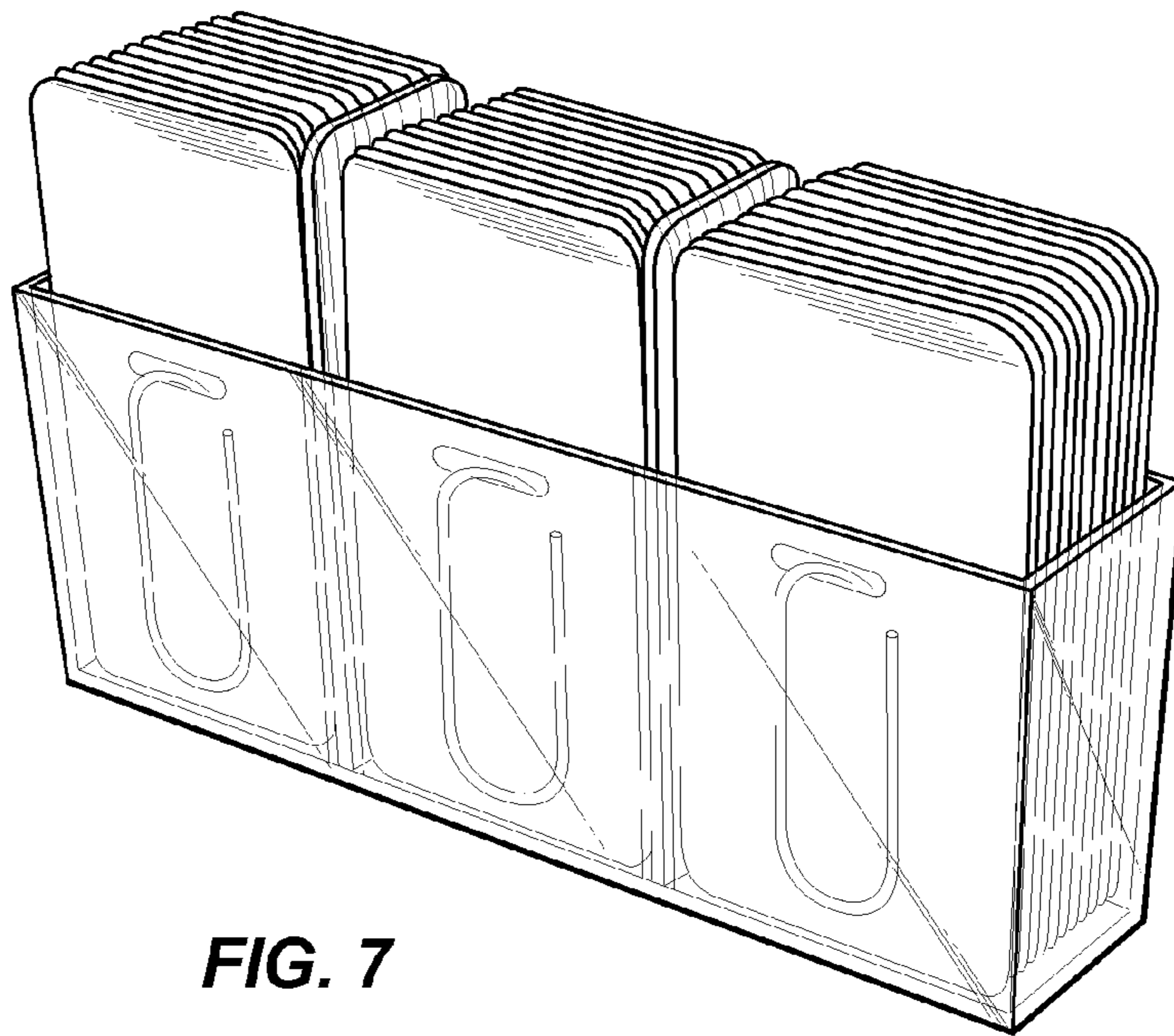


FIG. 7



FIG. 8

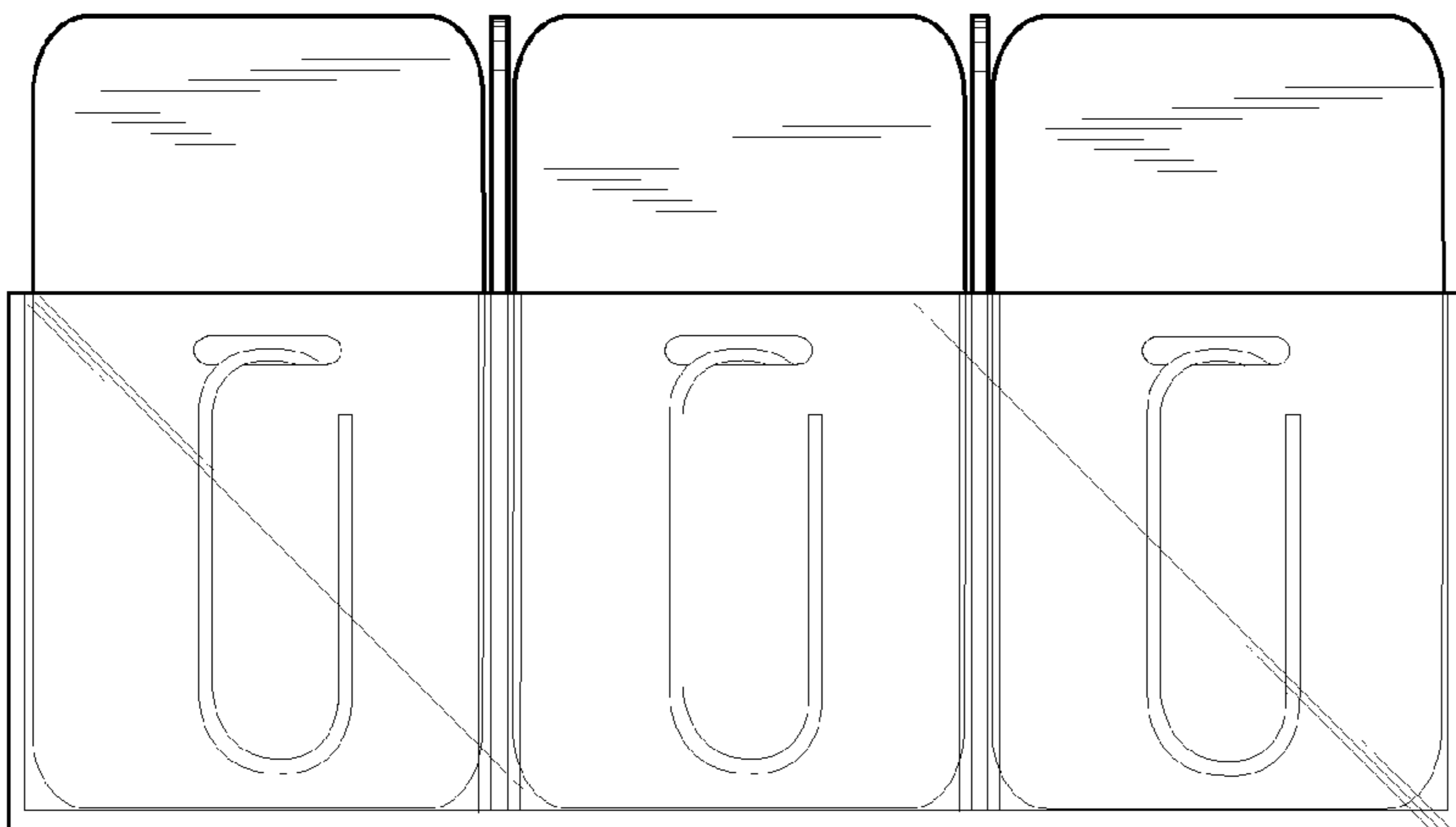


FIG. 9

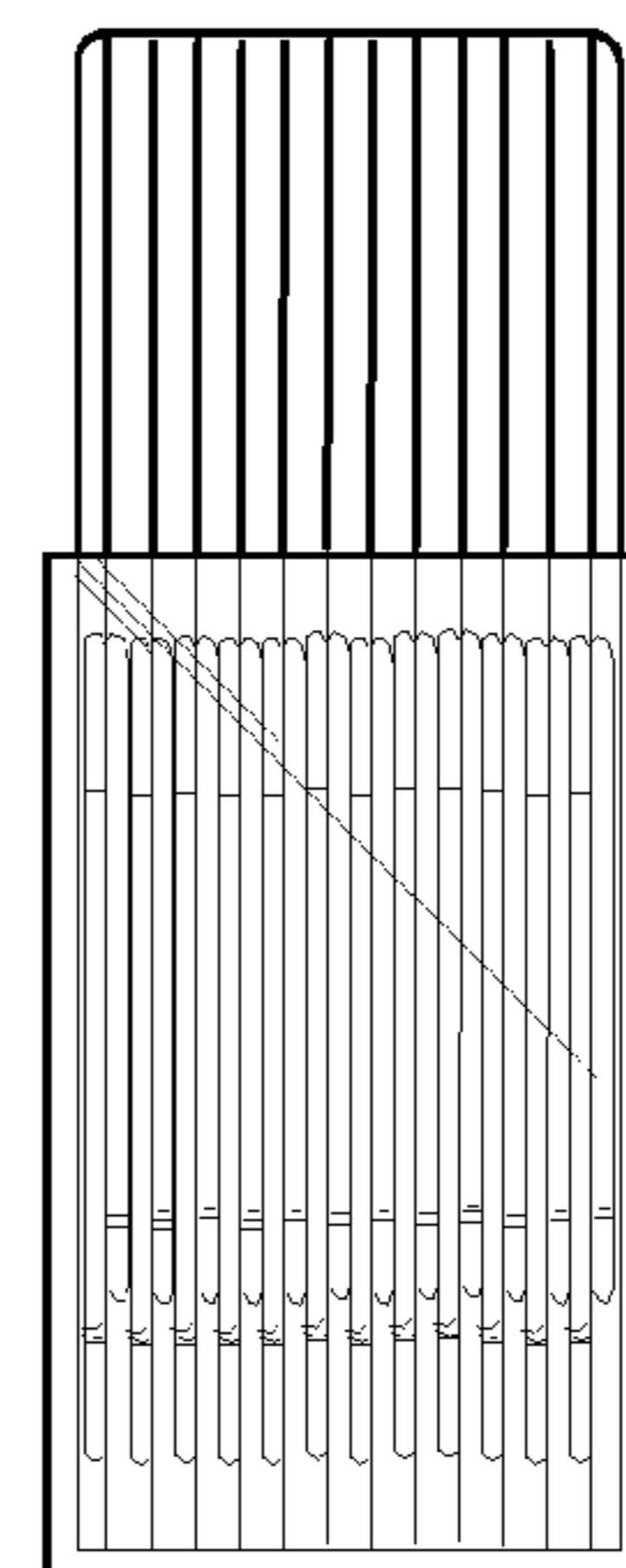


FIG. 10

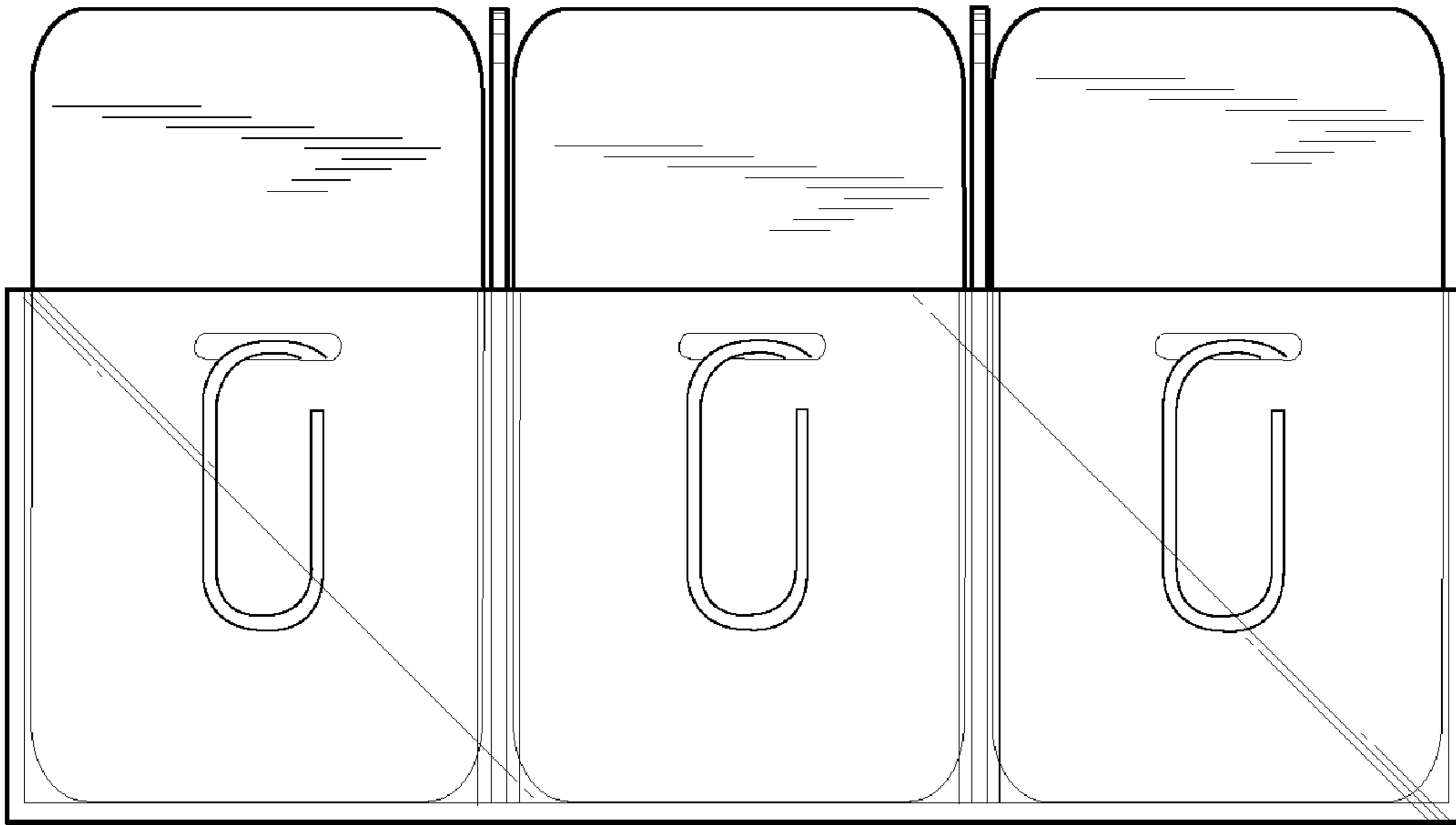


FIG. 11

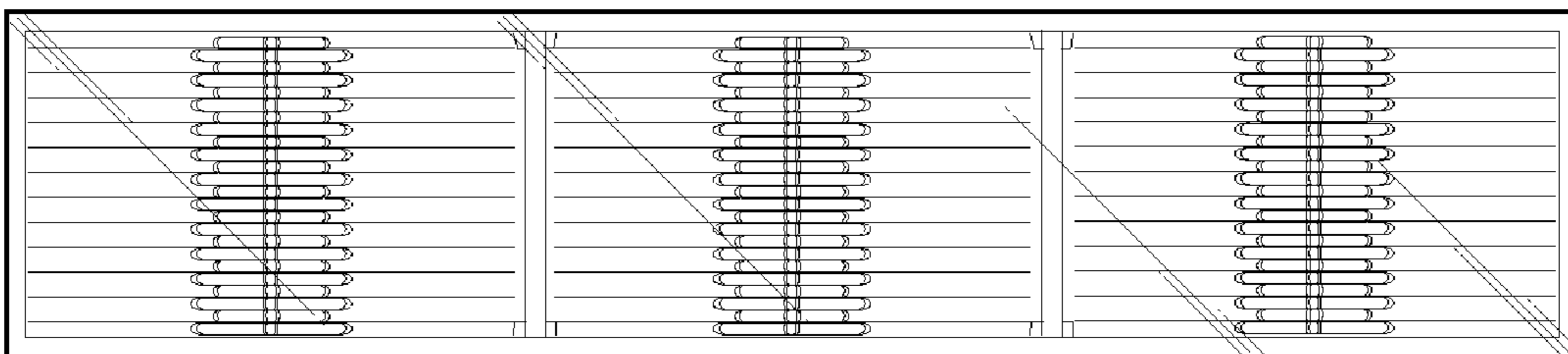


FIG. 12

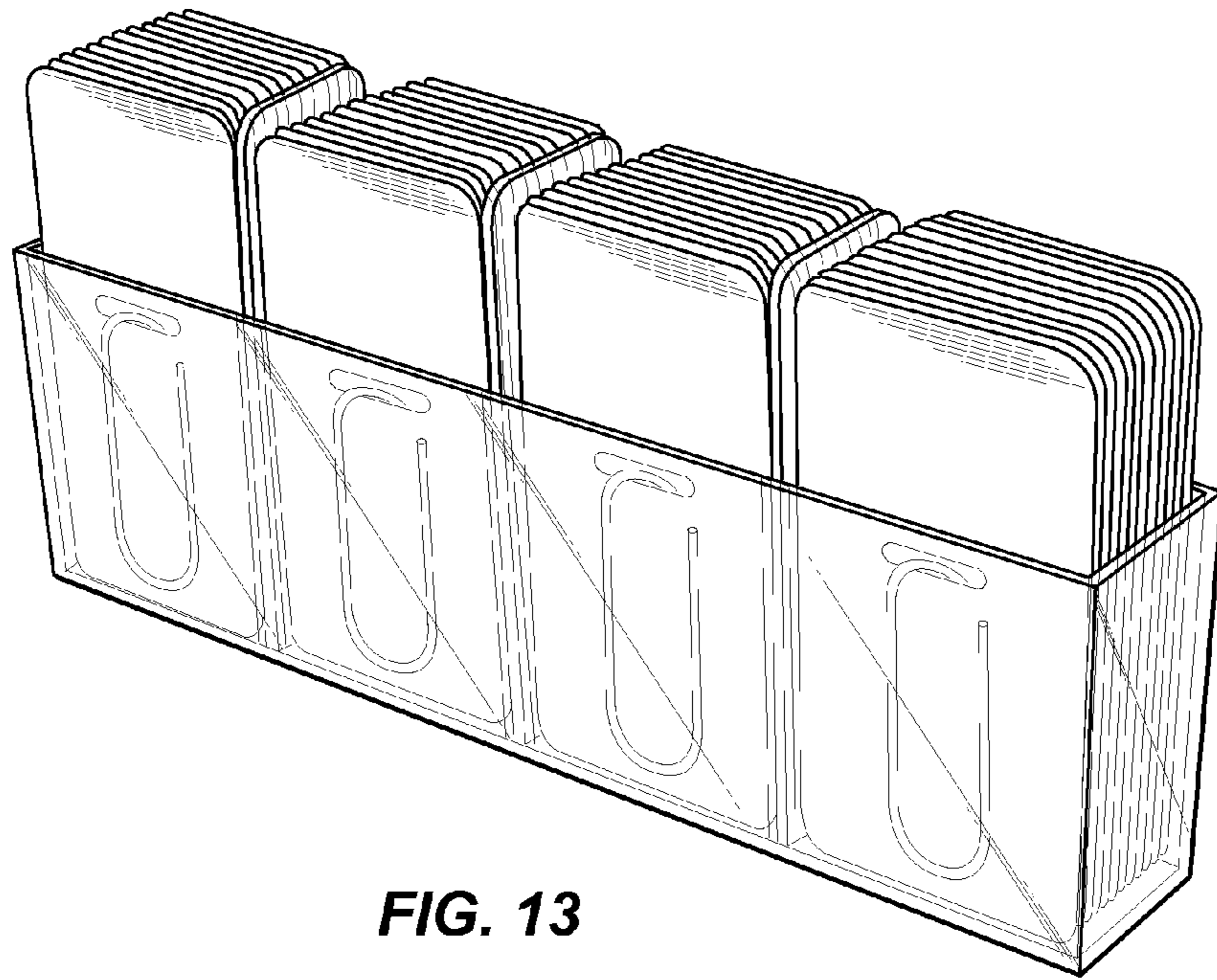


FIG. 13

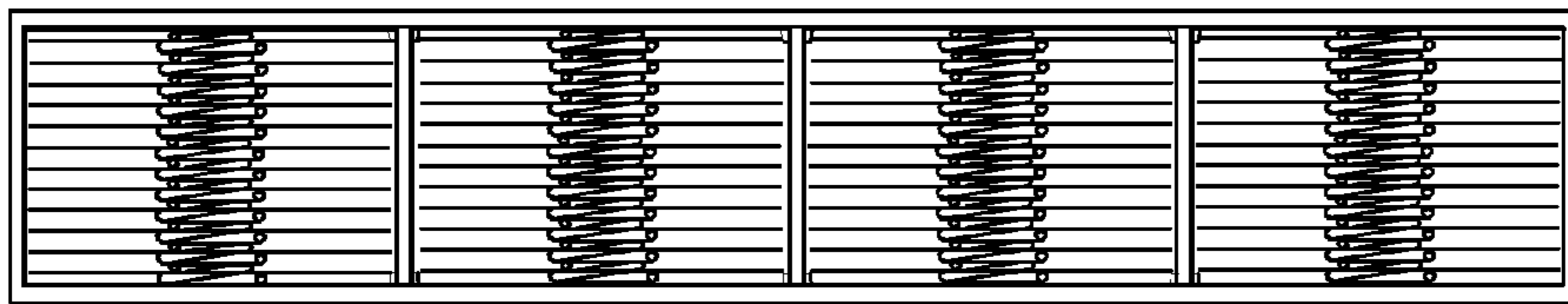


FIG. 14

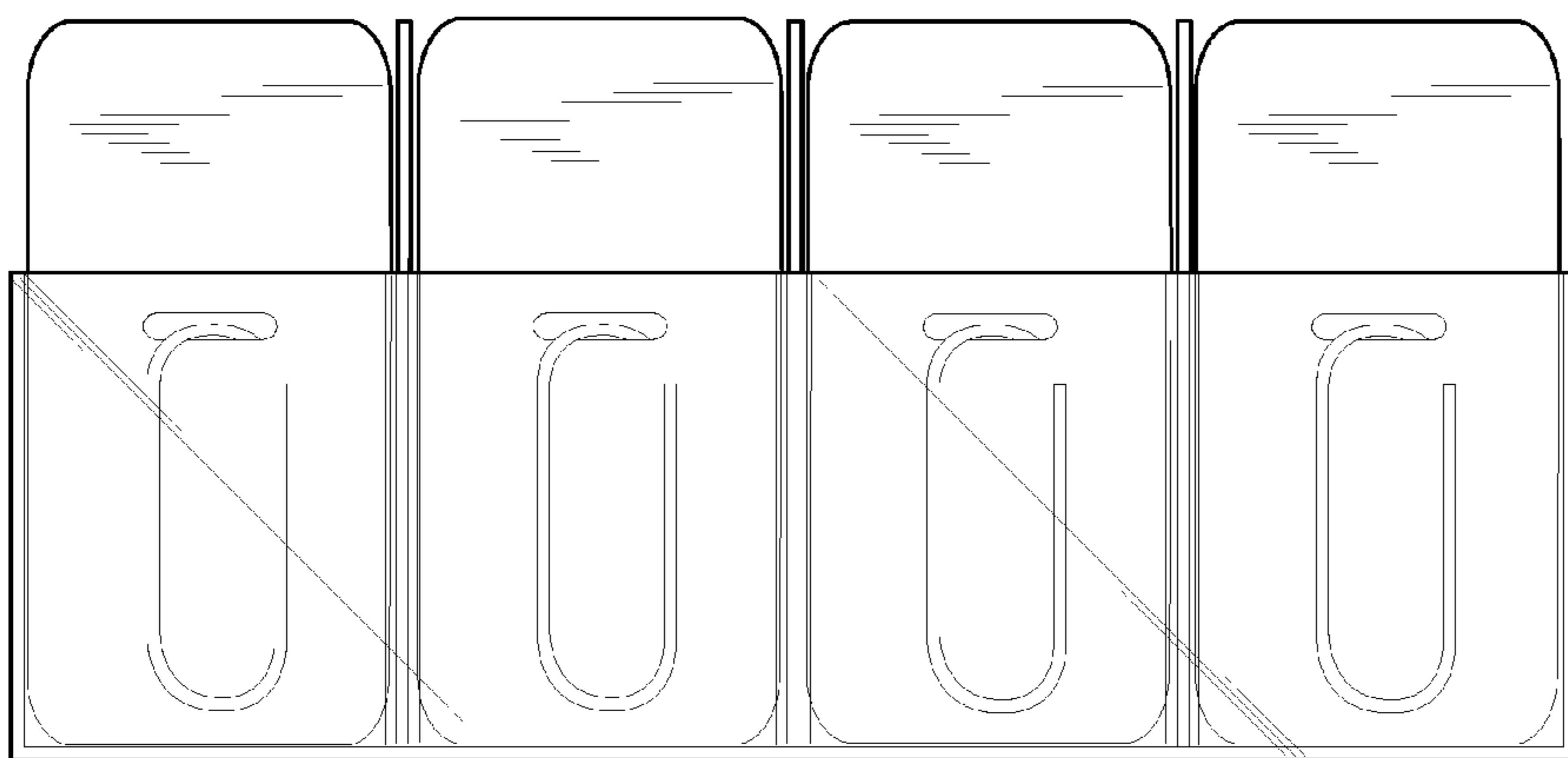


FIG. 15

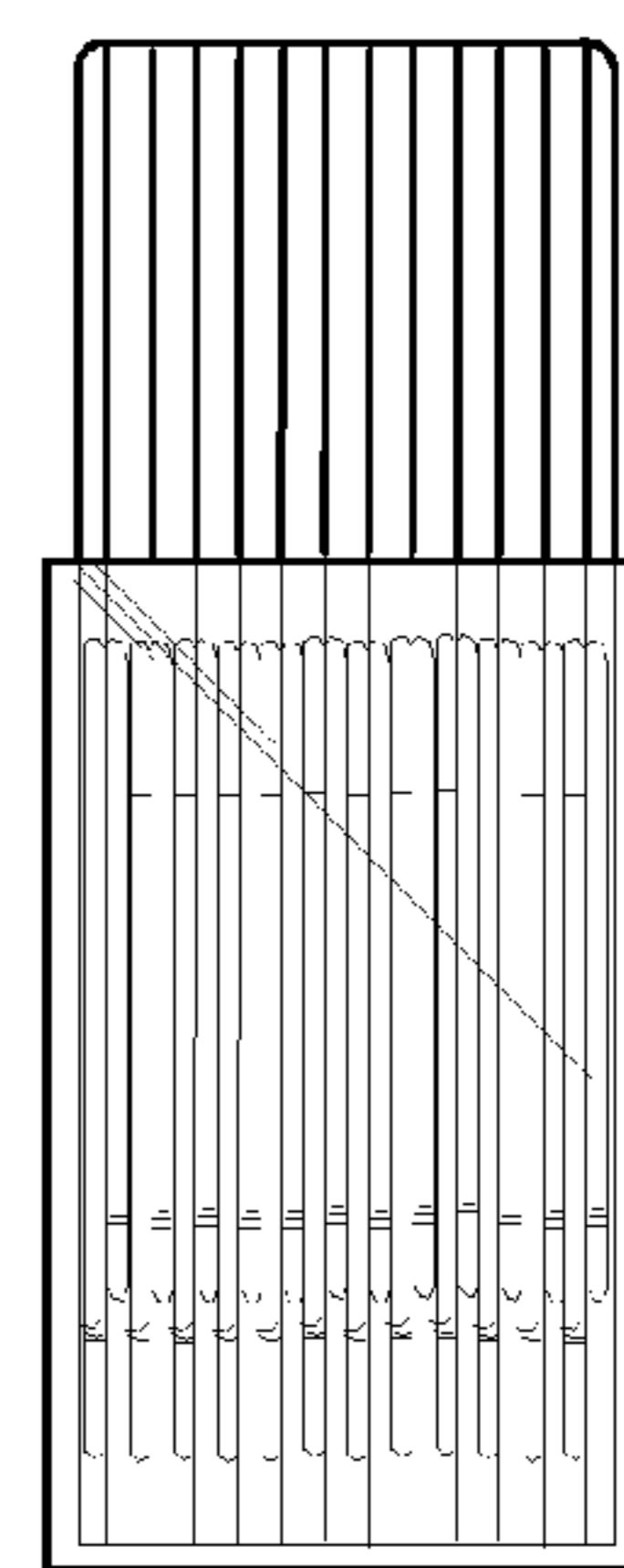


FIG. 16

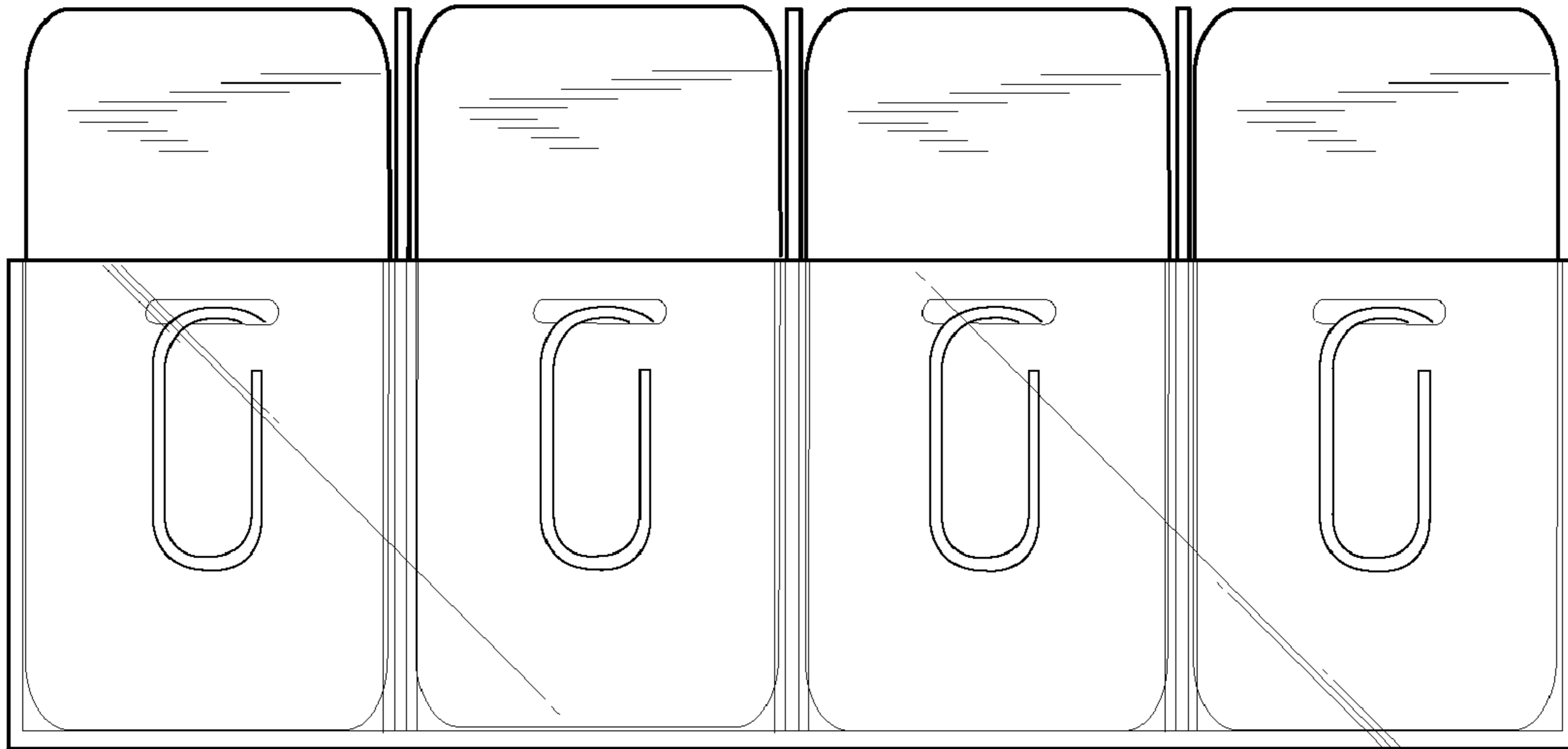


FIG. 17

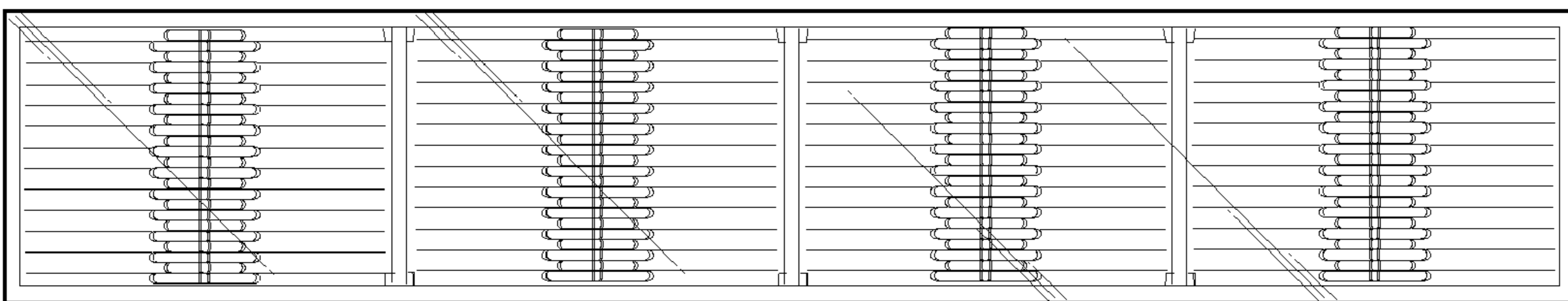


FIG. 18

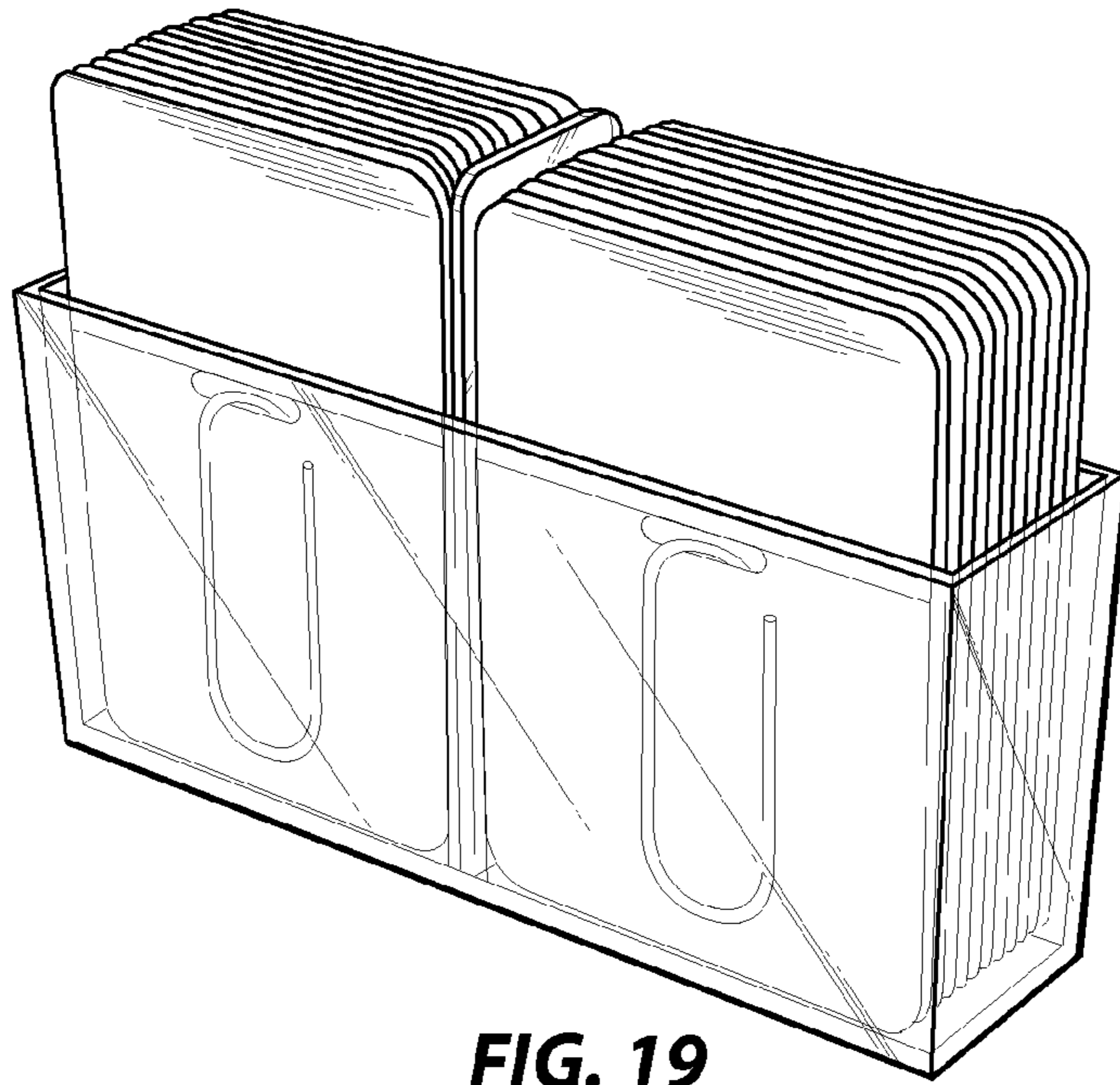


FIG. 19

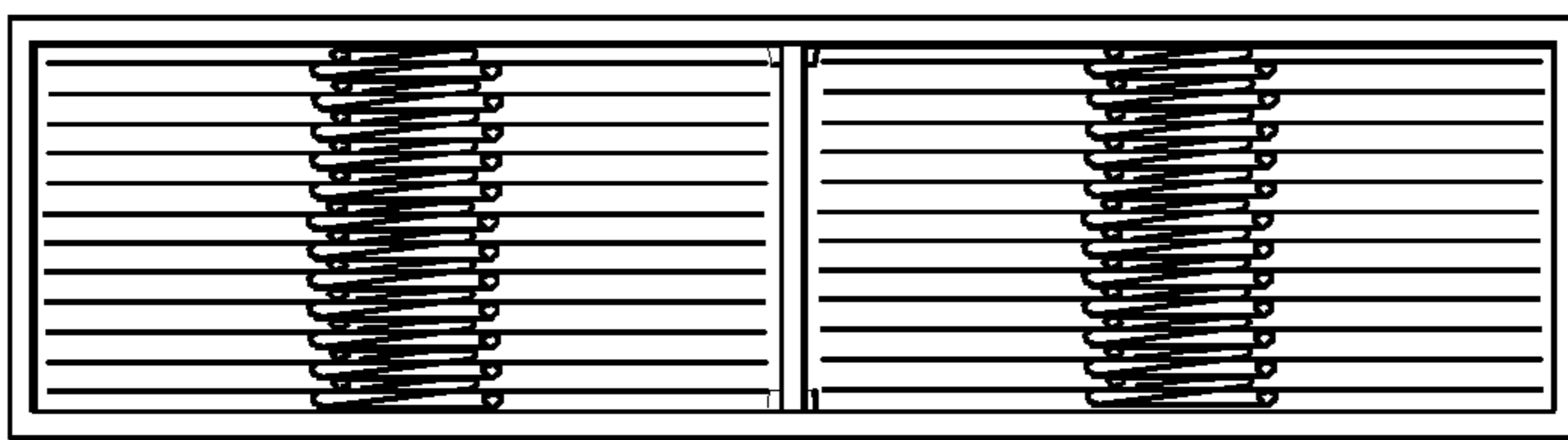


FIG. 20

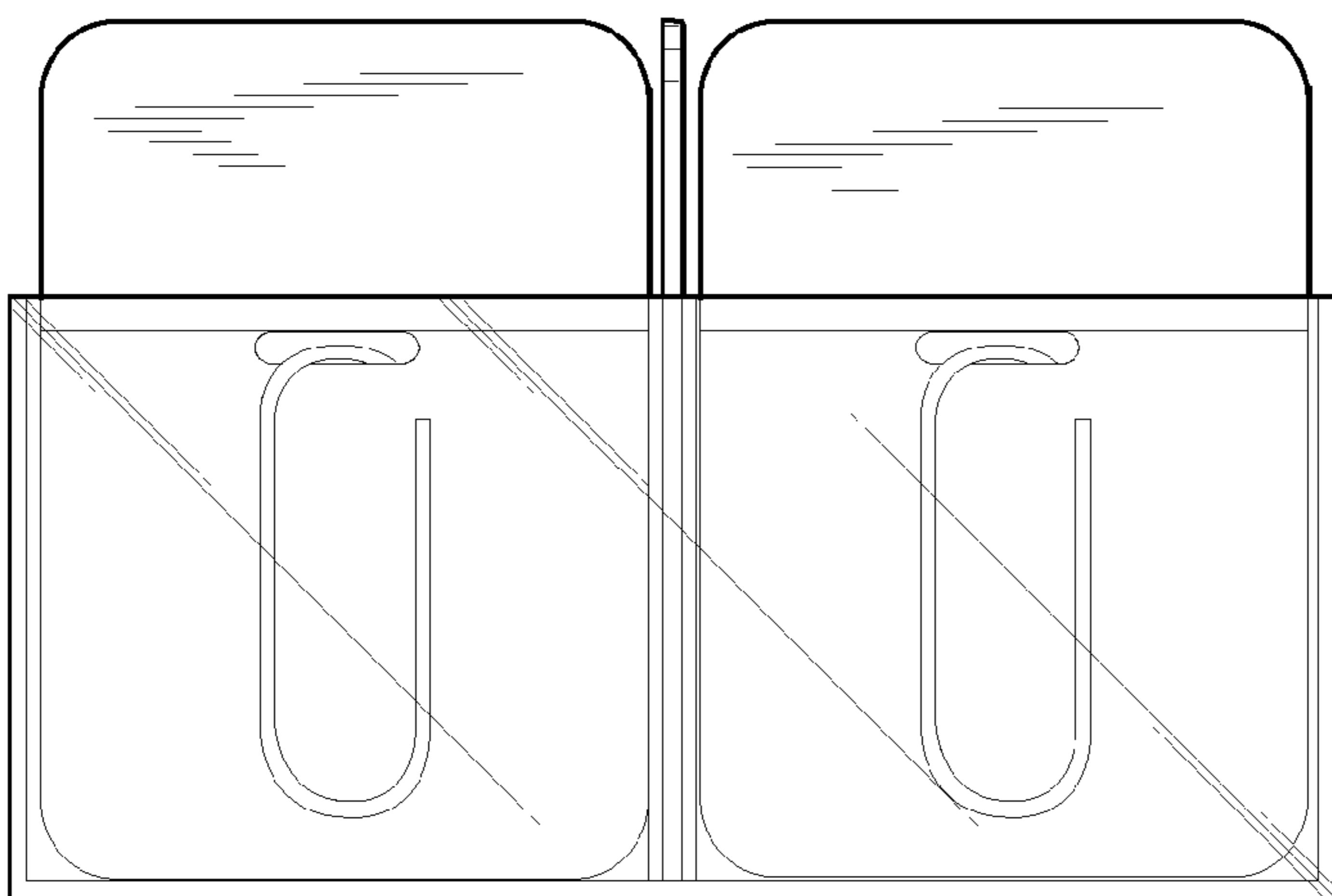


FIG. 21

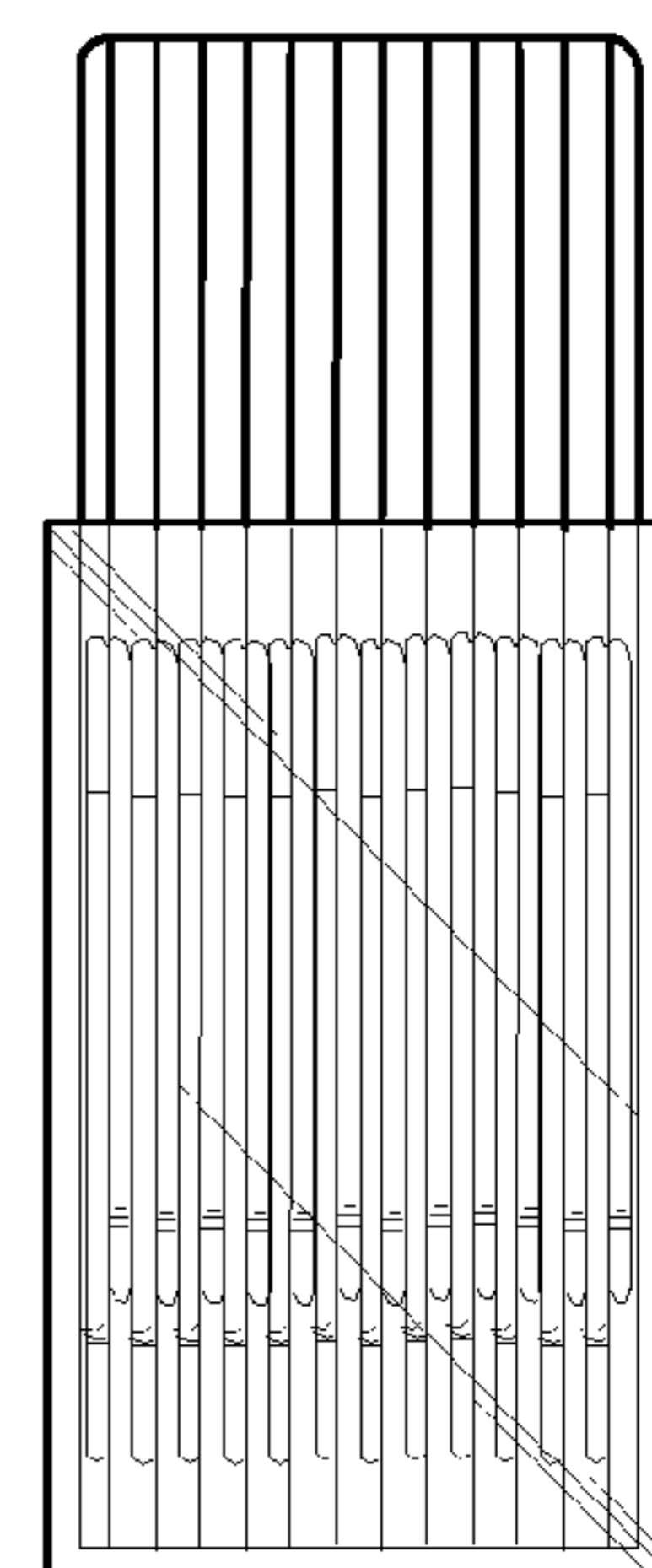


FIG. 22

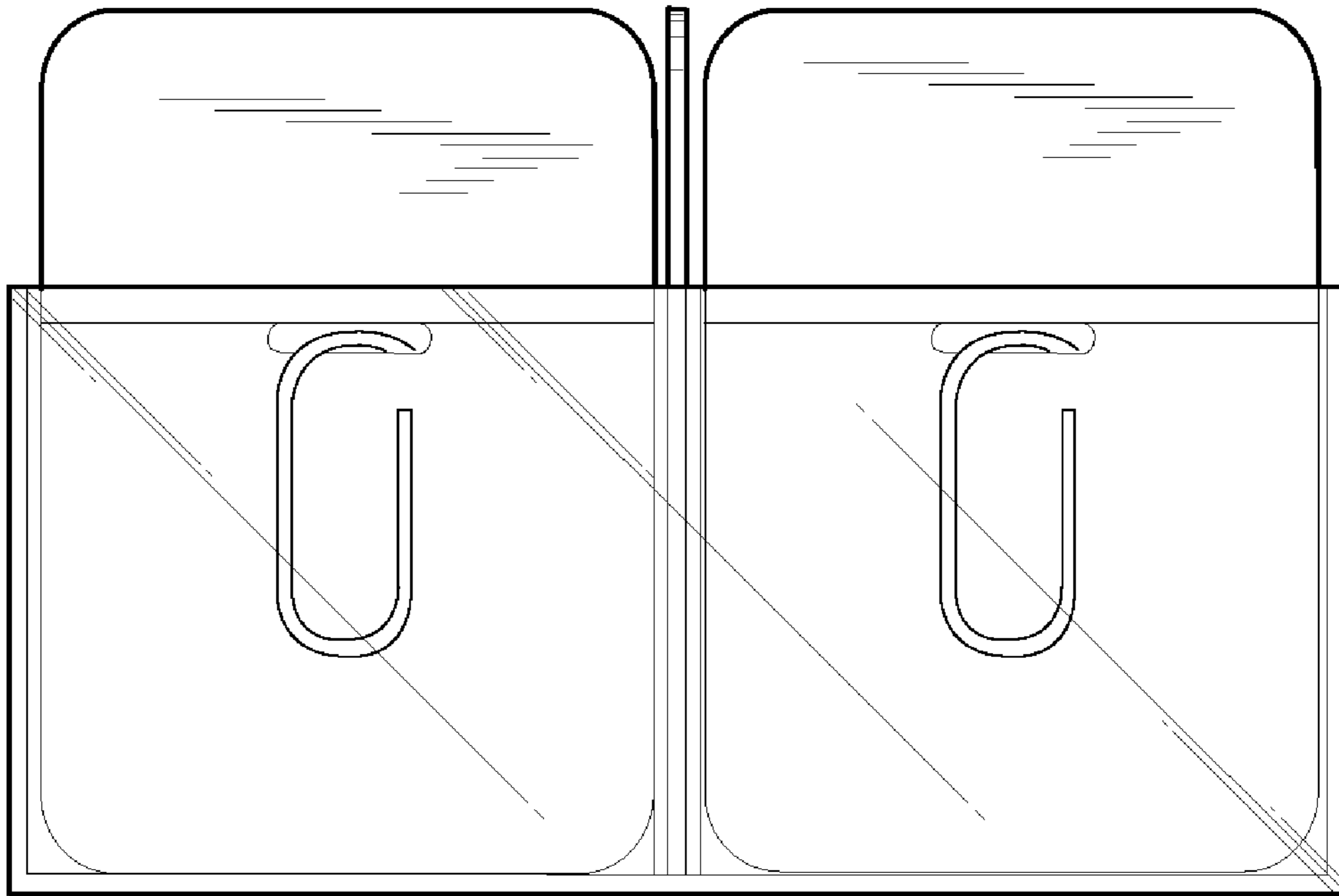


FIG. 23

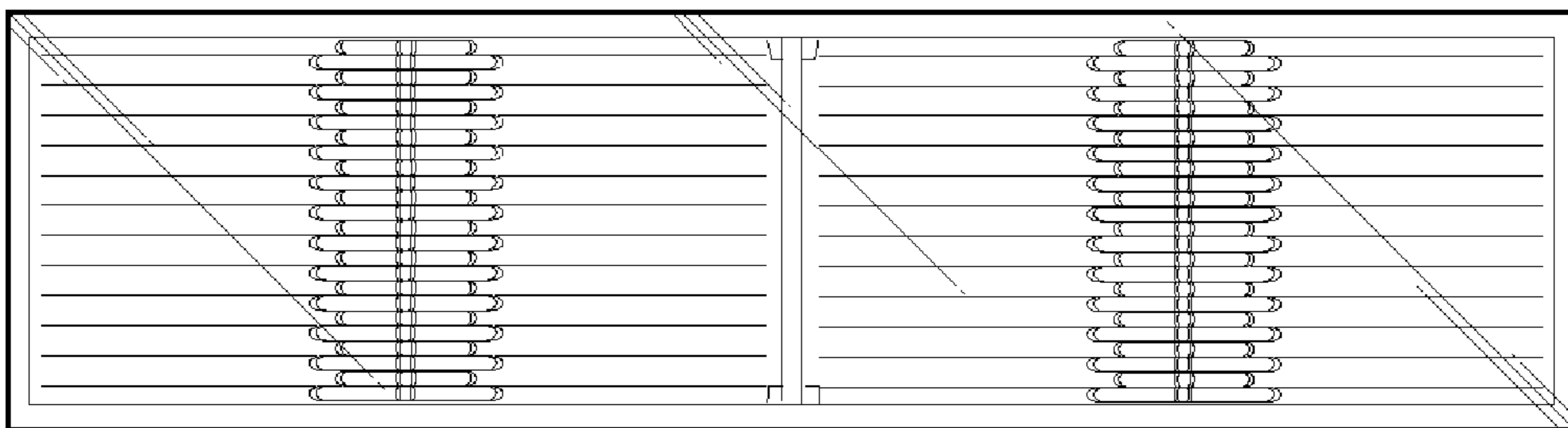


FIG. 24

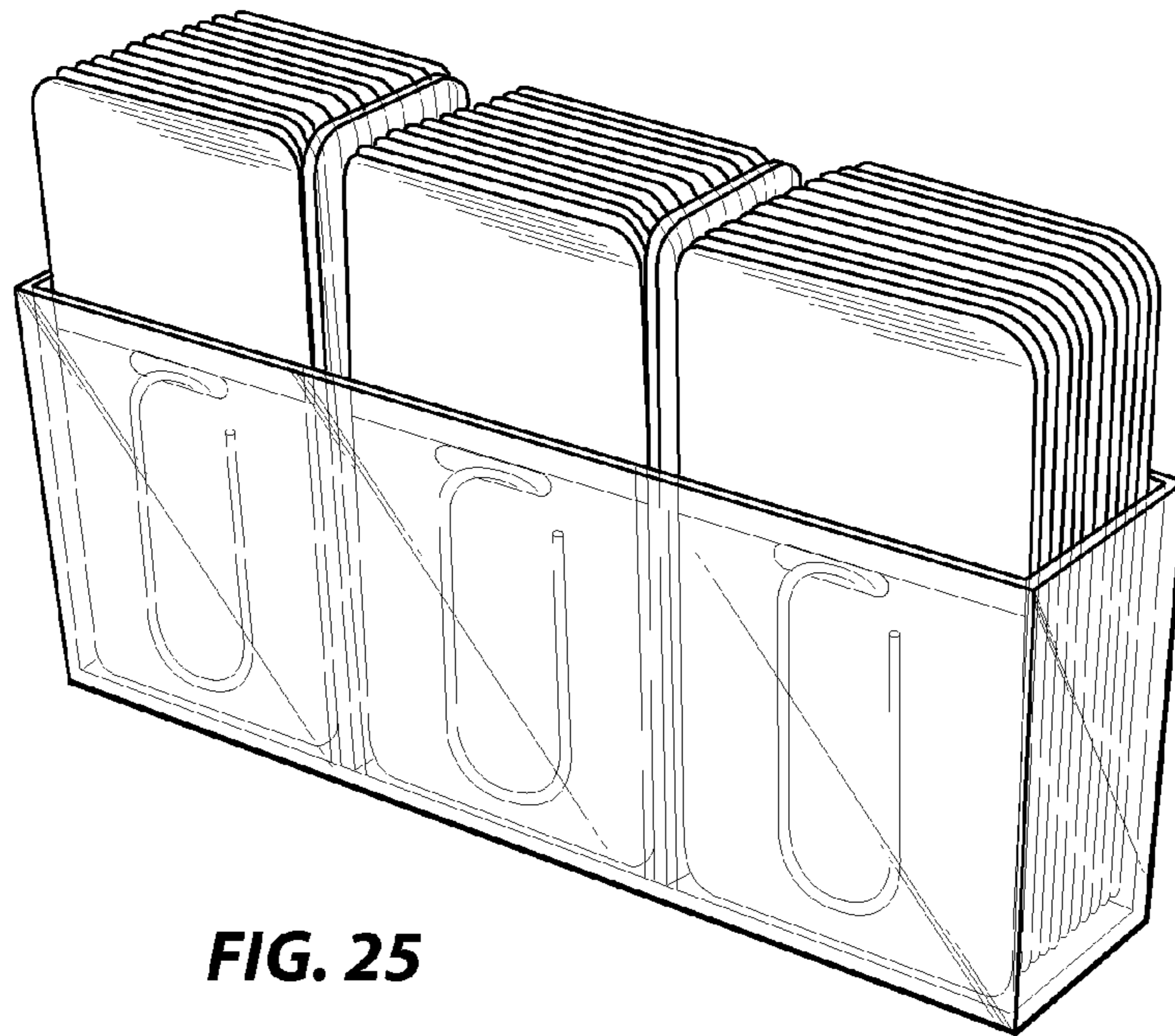


FIG. 25



FIG. 26

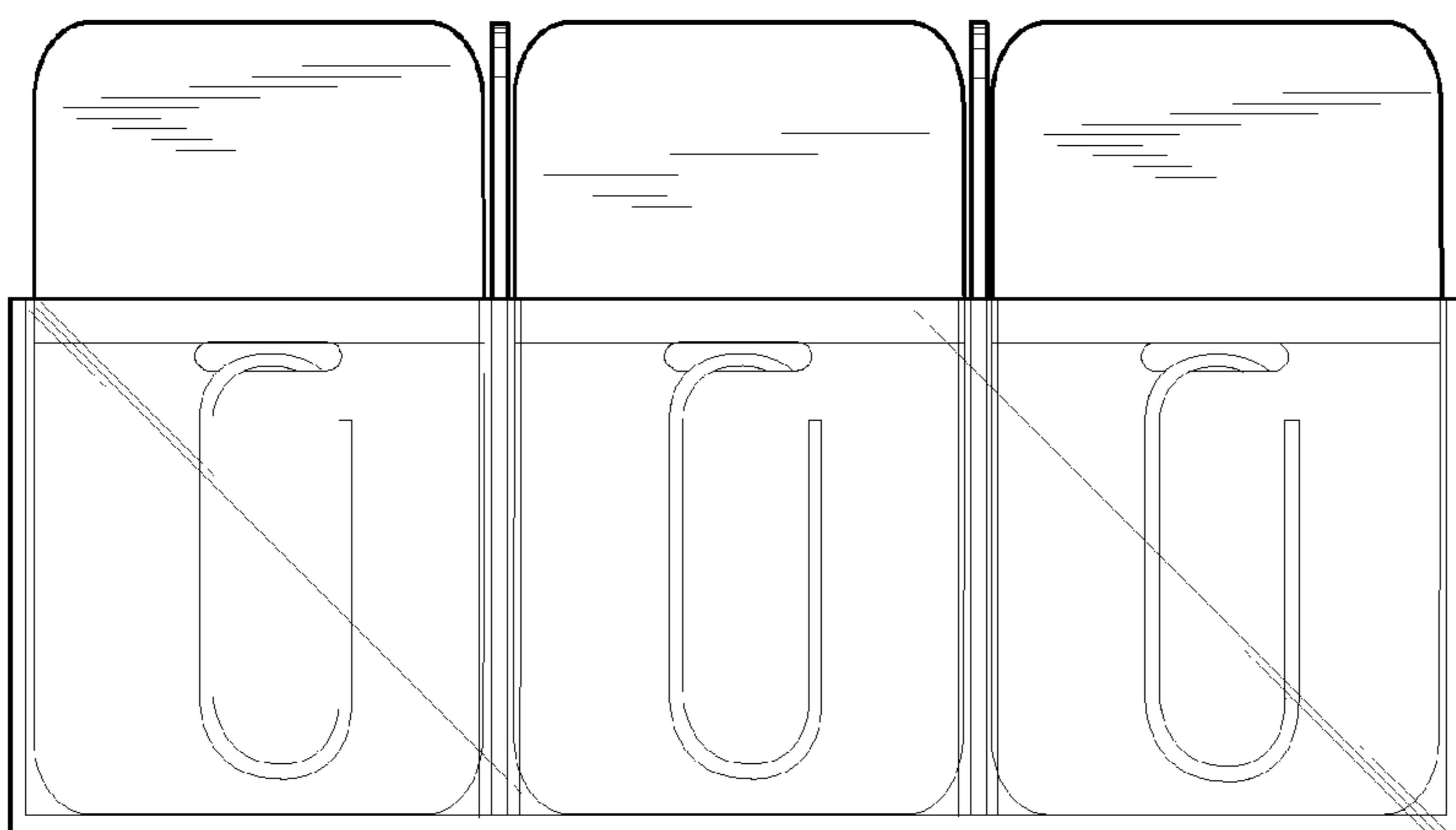


FIG. 27

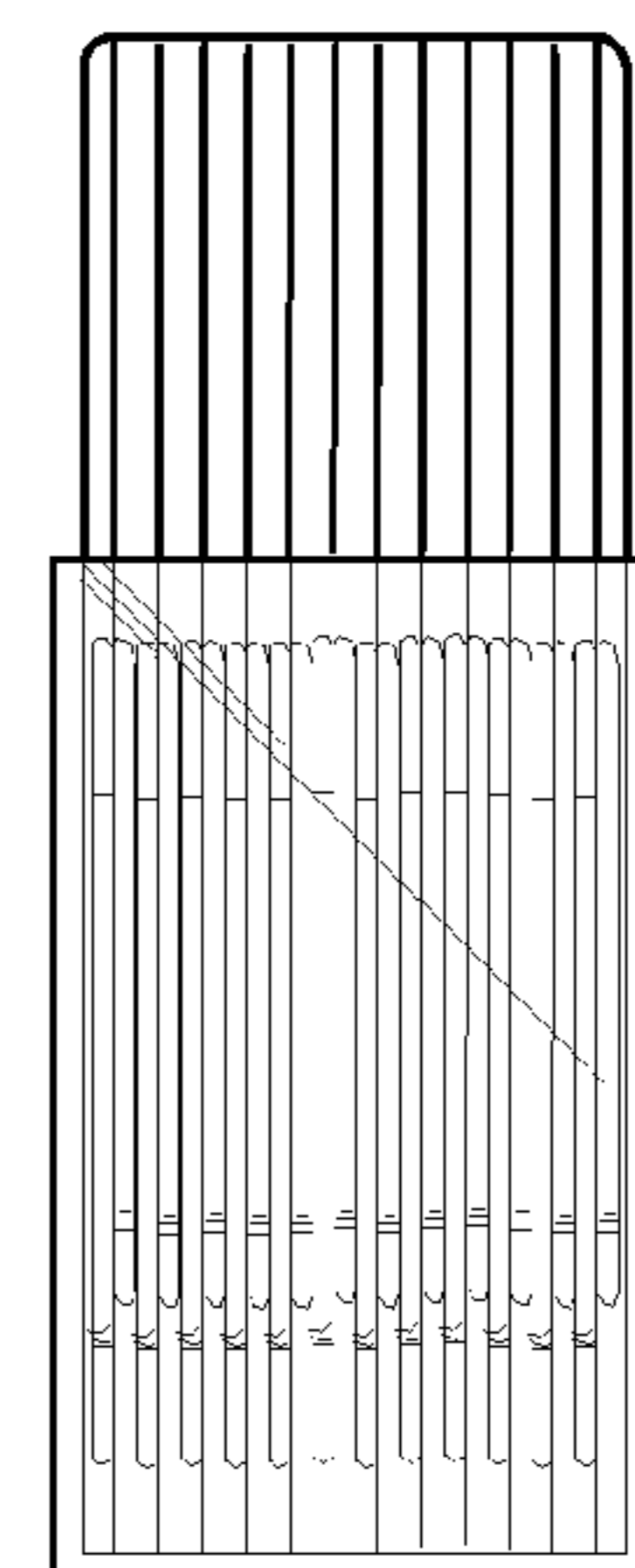


FIG. 28

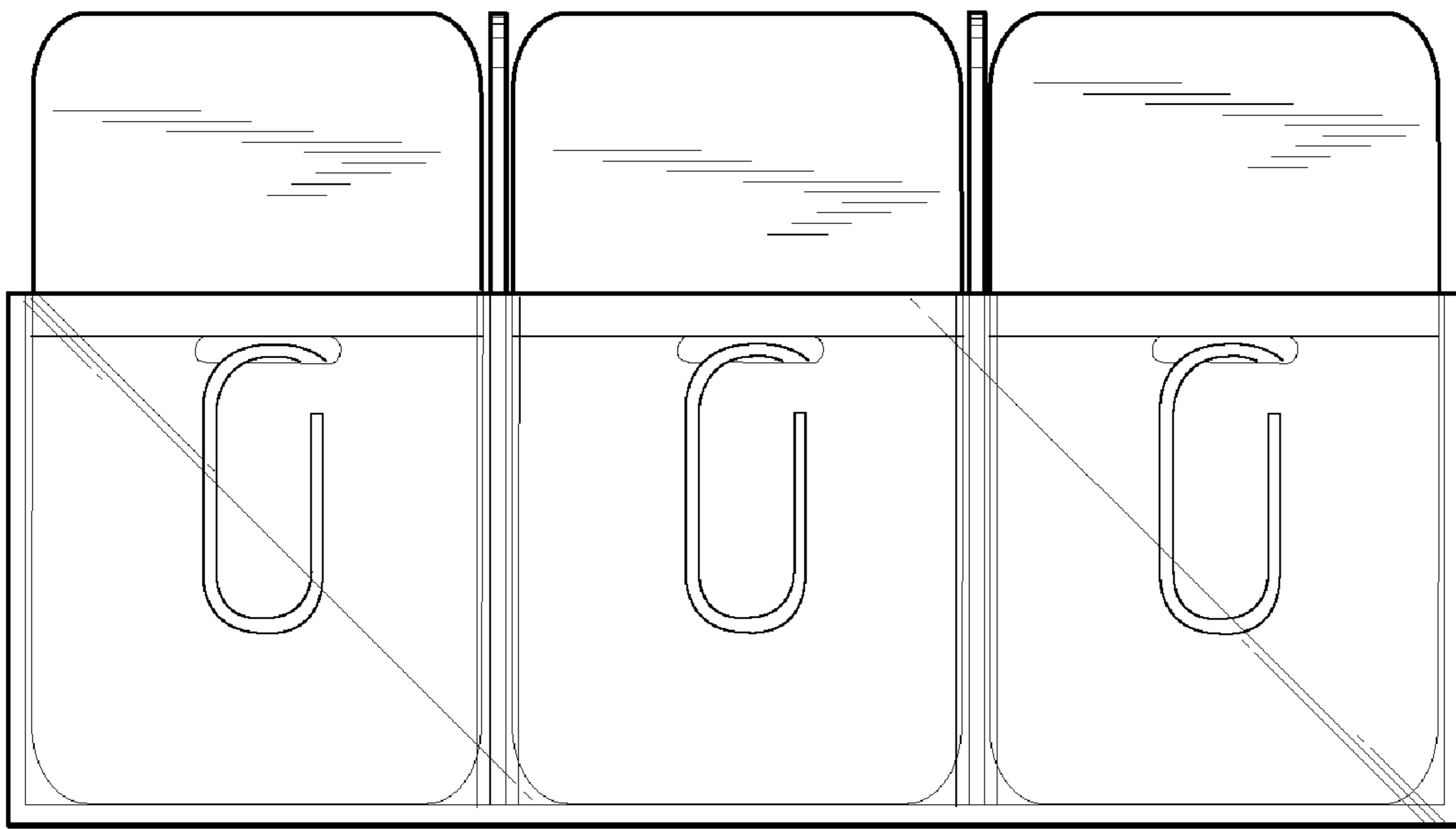


FIG. 29

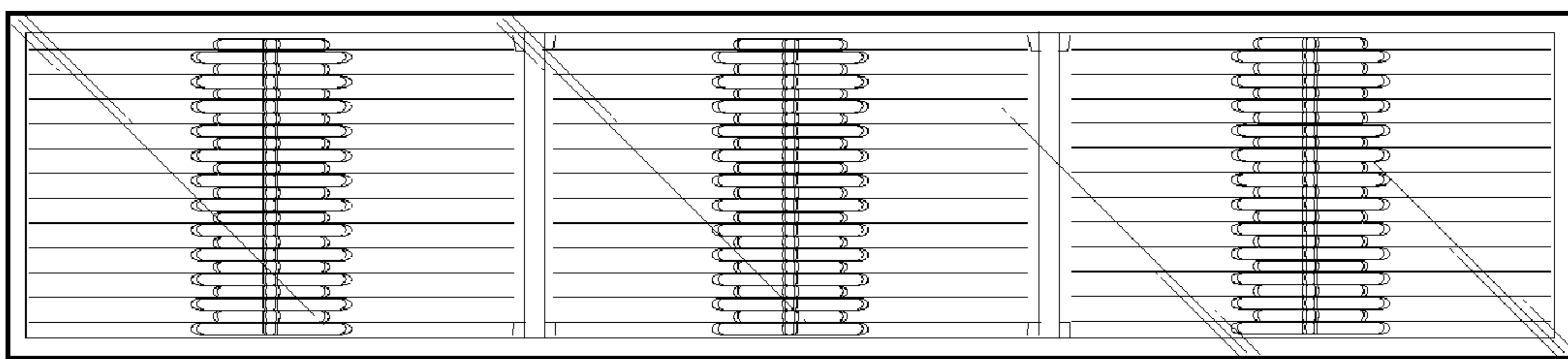


FIG. 30

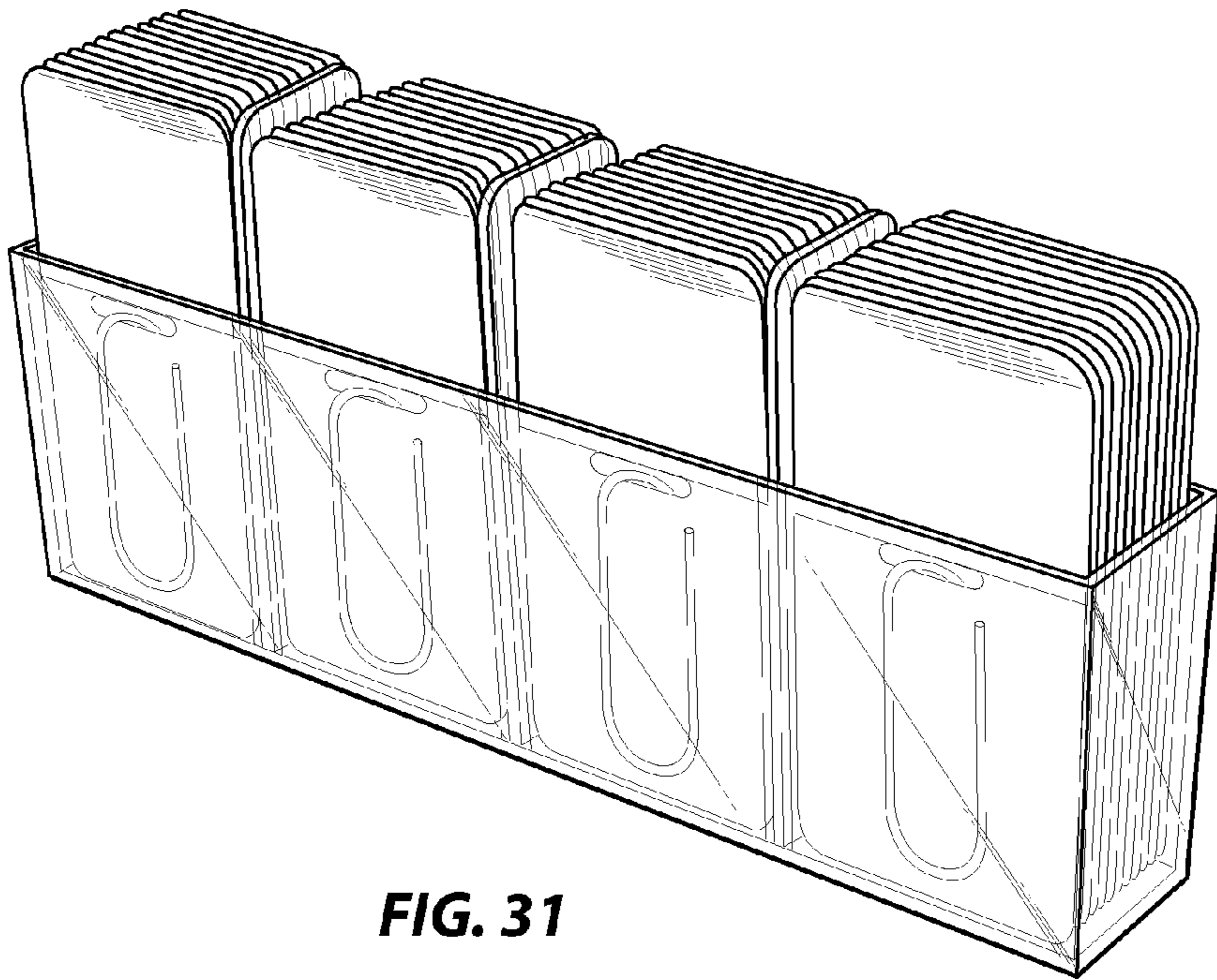


FIG. 31

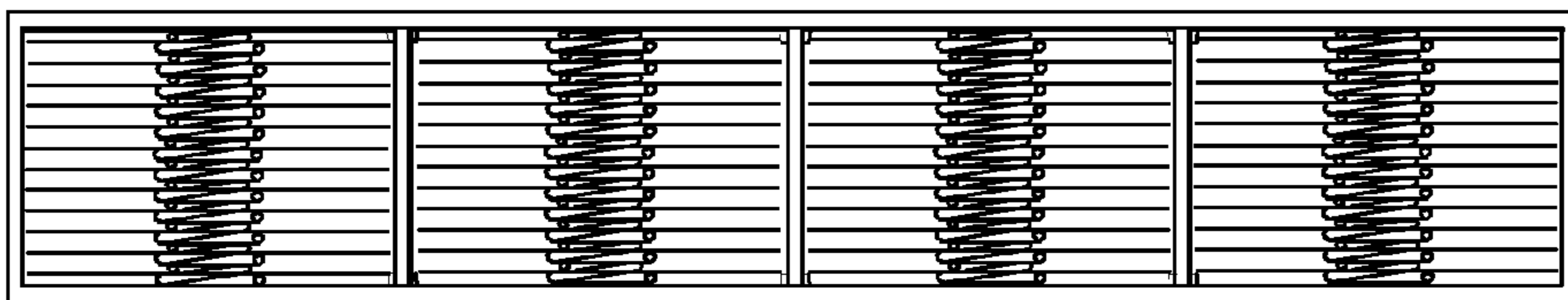


FIG. 32

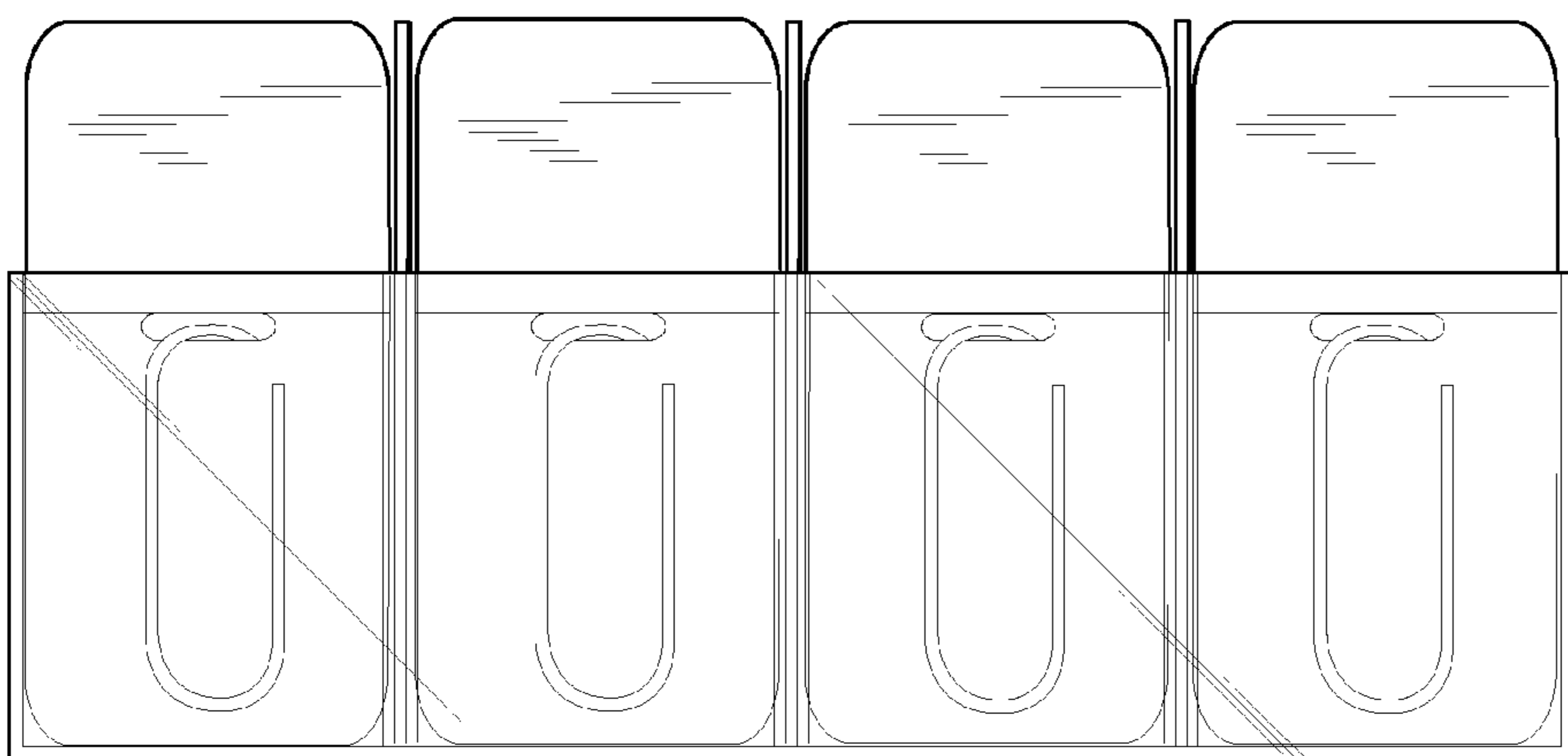


FIG. 33

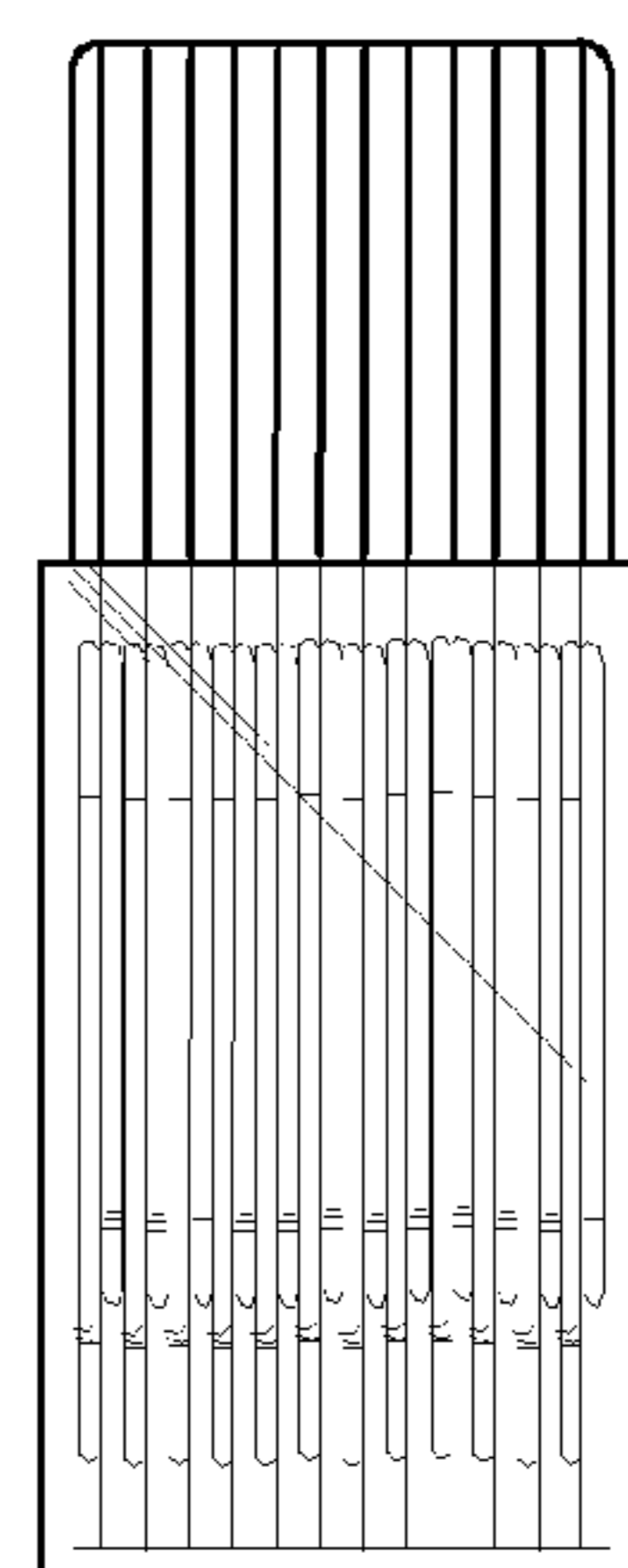


FIG. 34

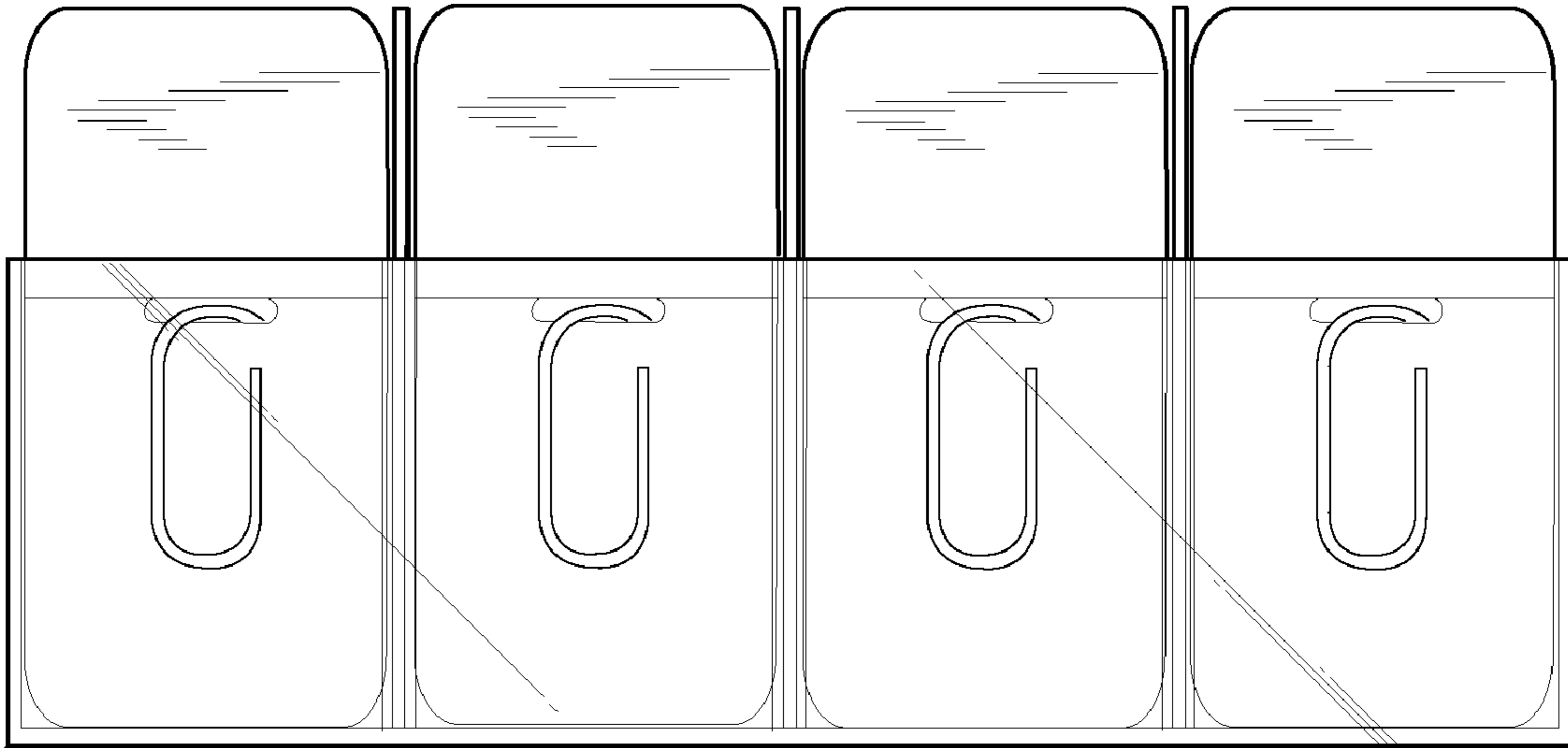


FIG. 35

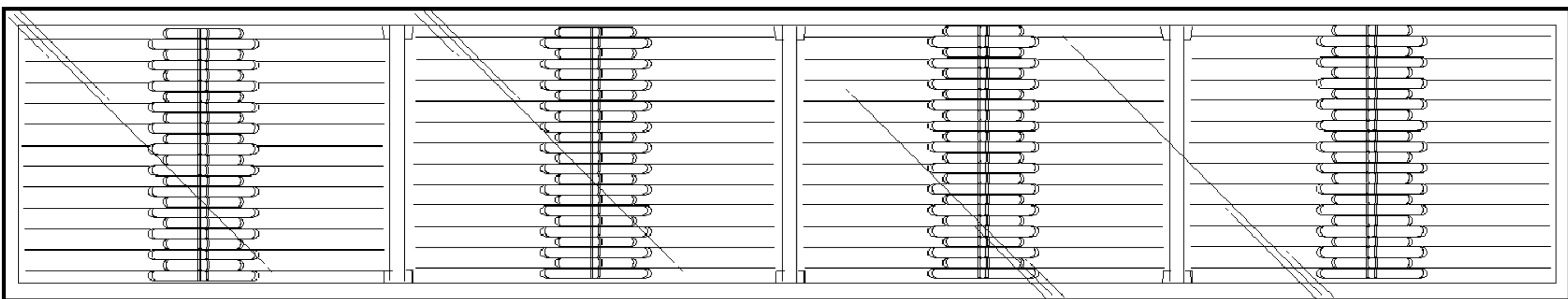


FIG. 36

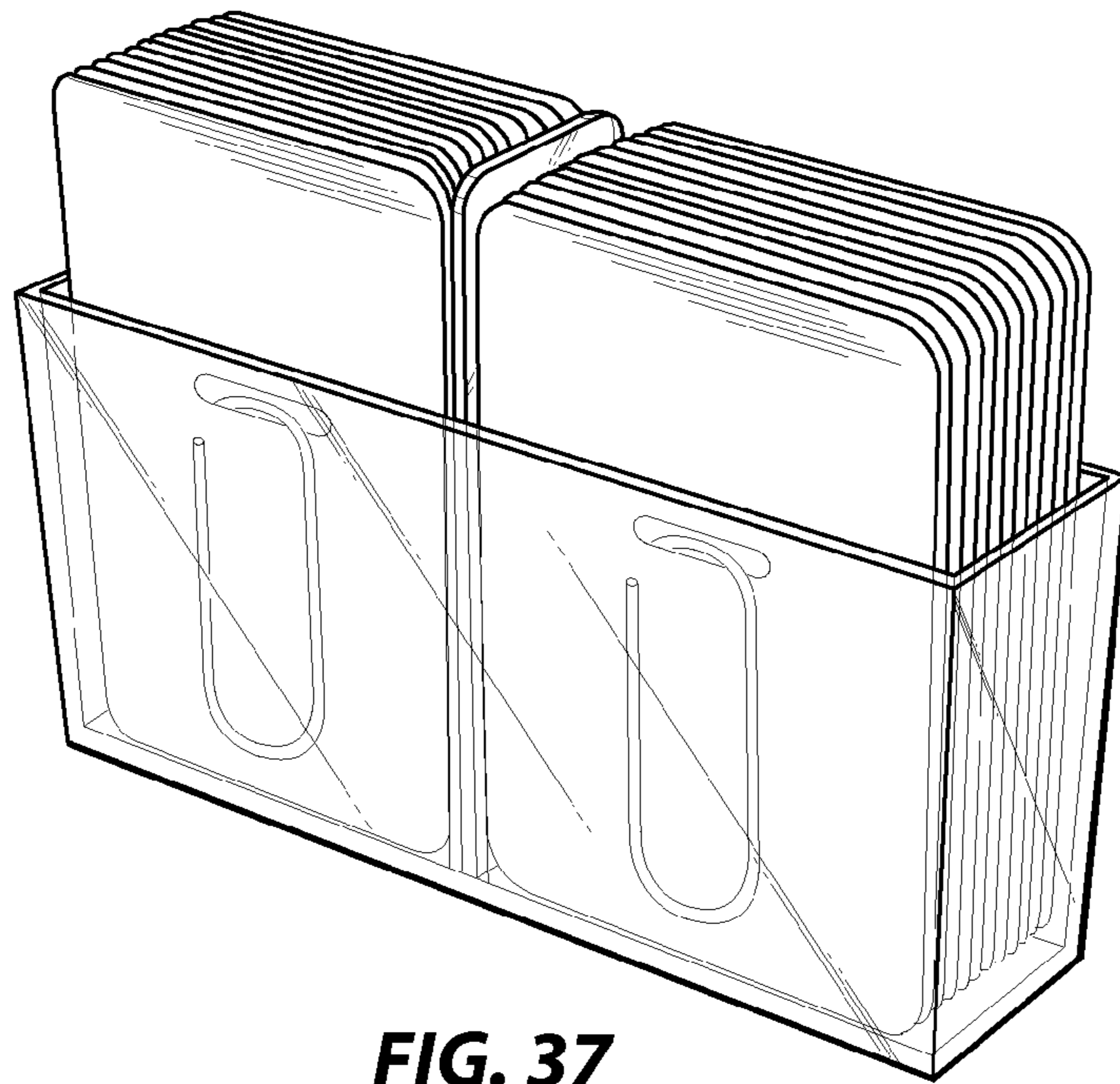


FIG. 37

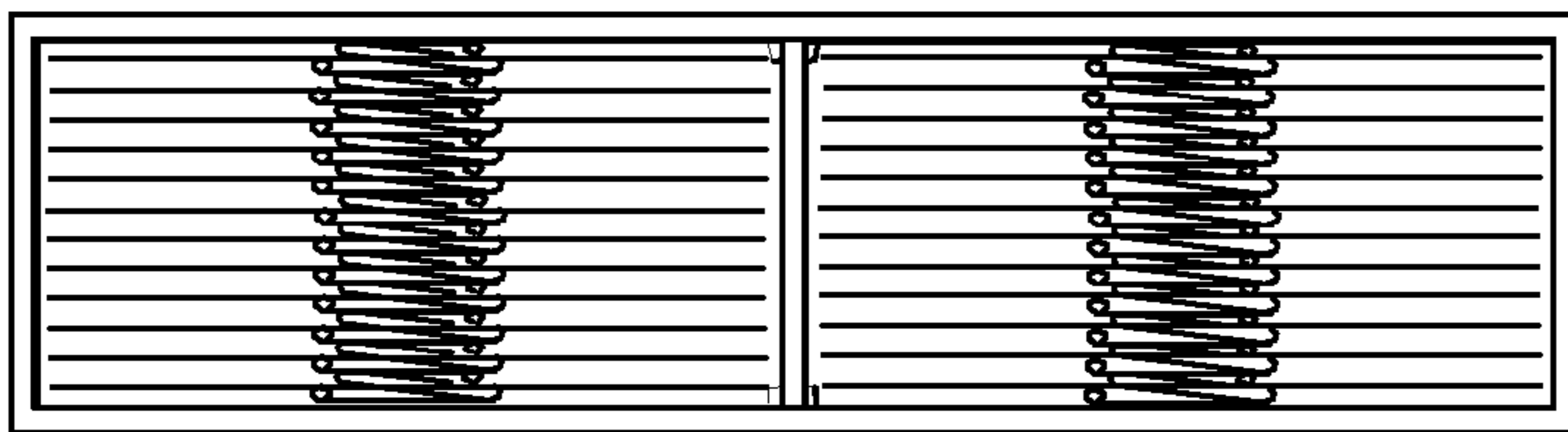


FIG. 38

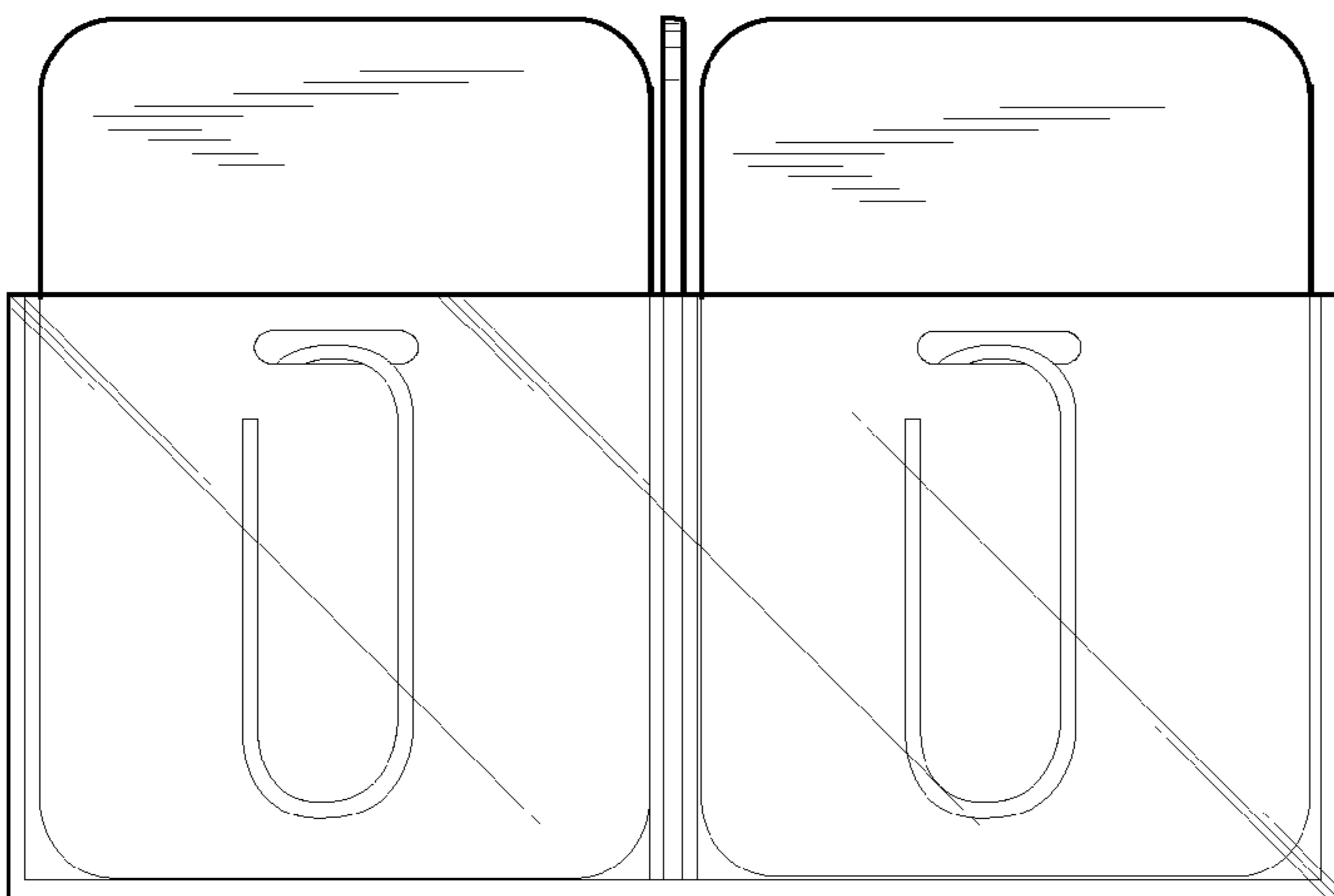


FIG. 39

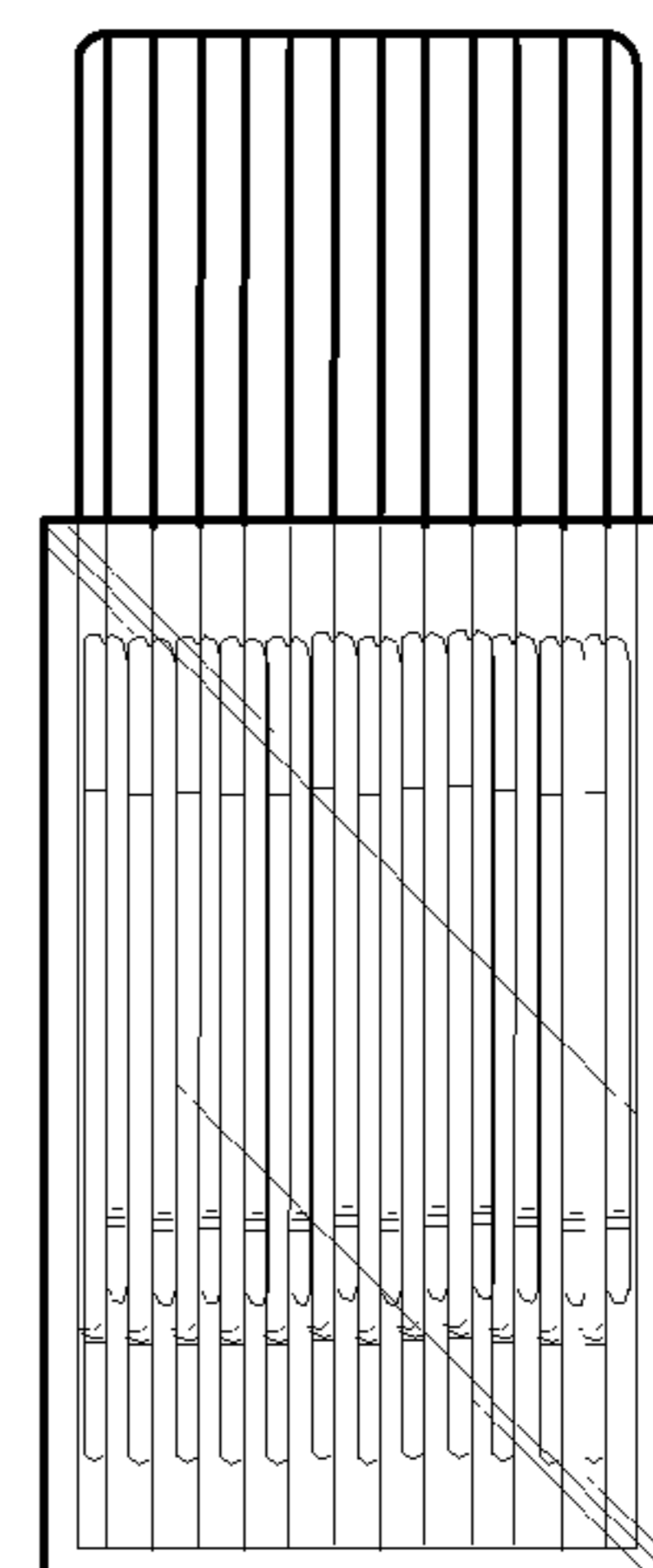


FIG. 40

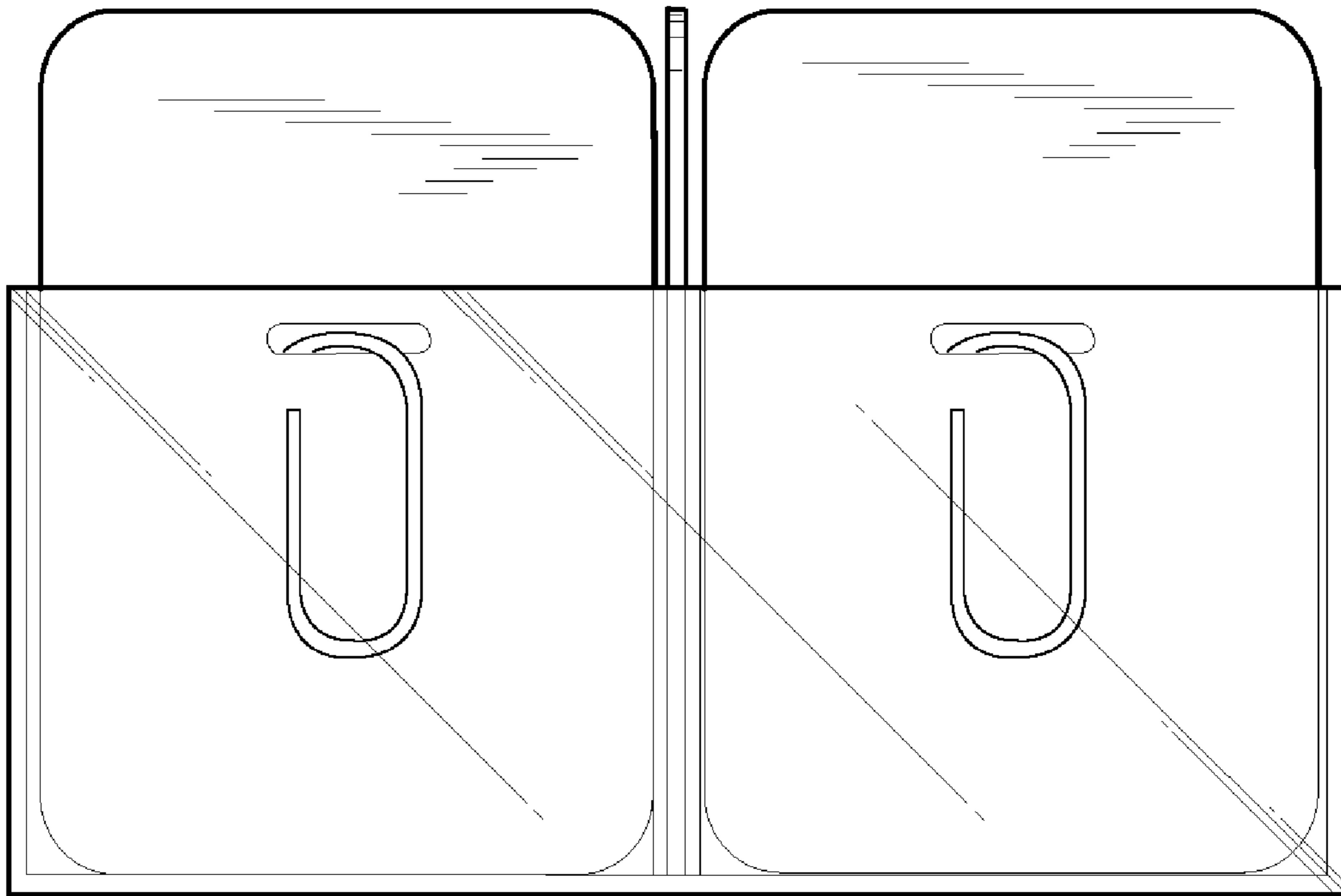


FIG. 41

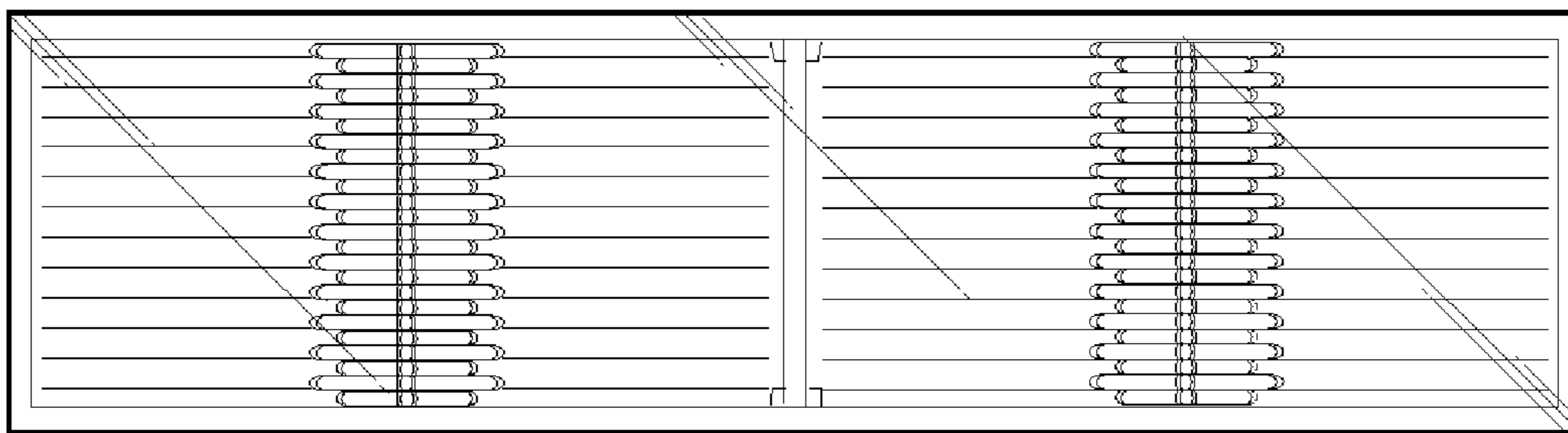


FIG. 42

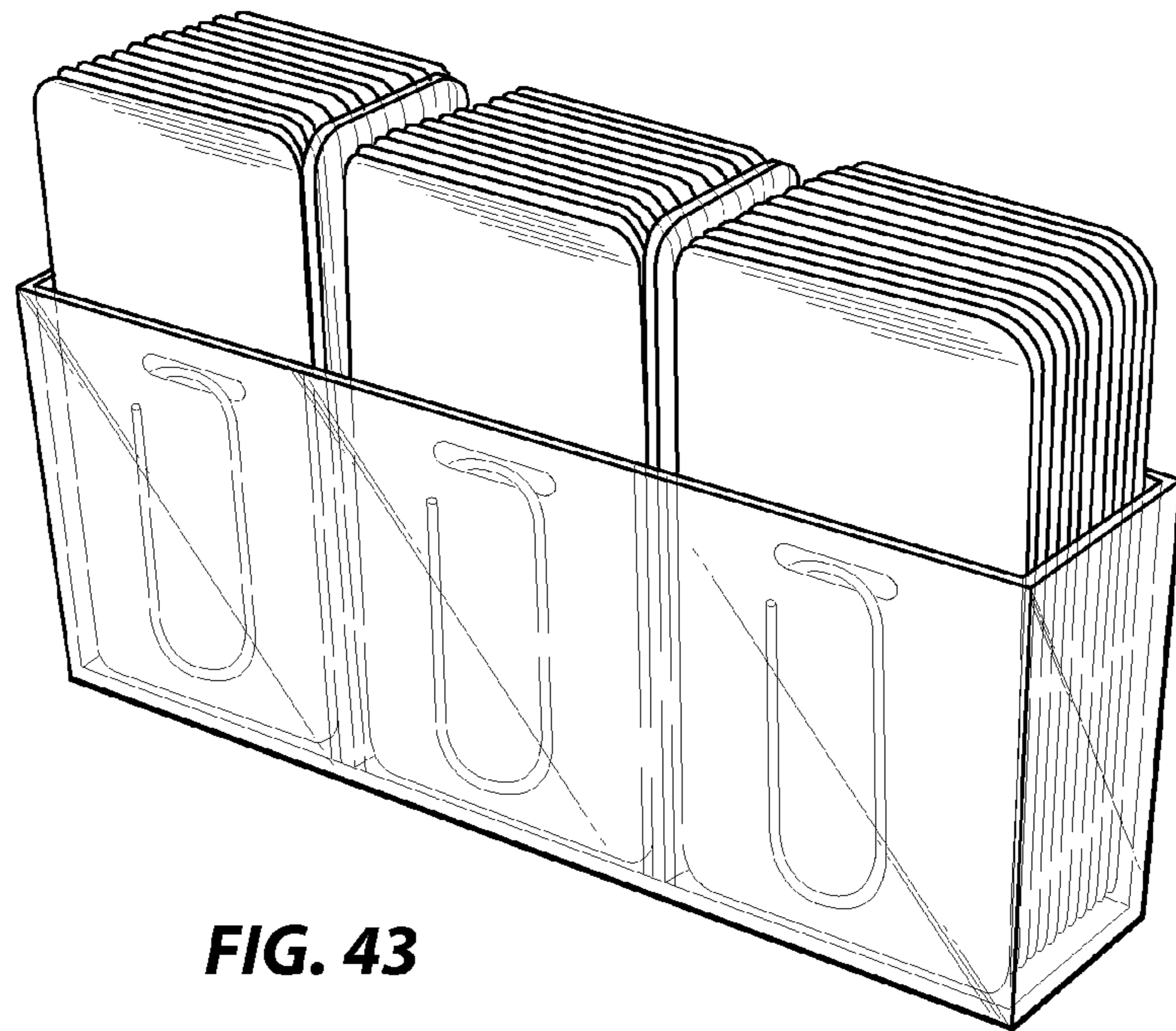


FIG. 43

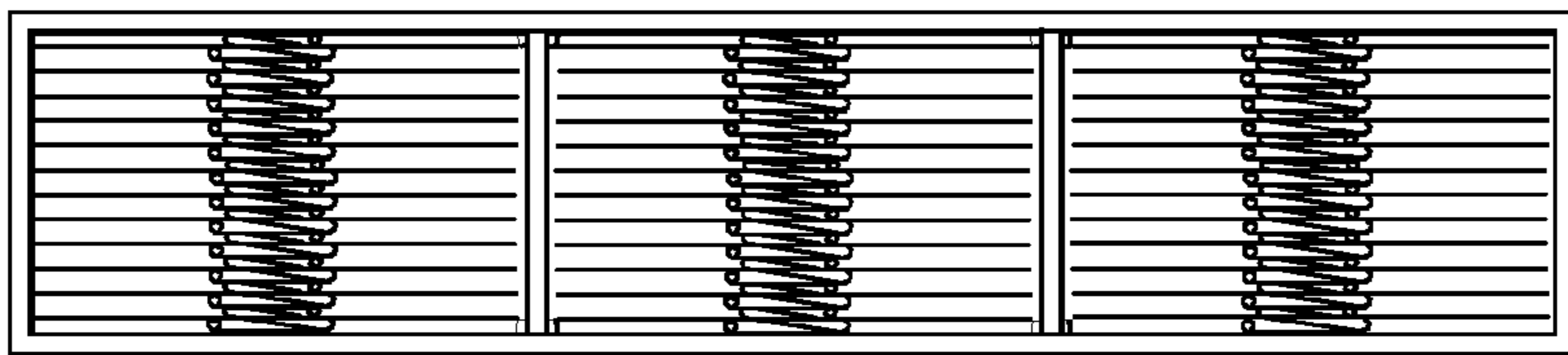


FIG. 44

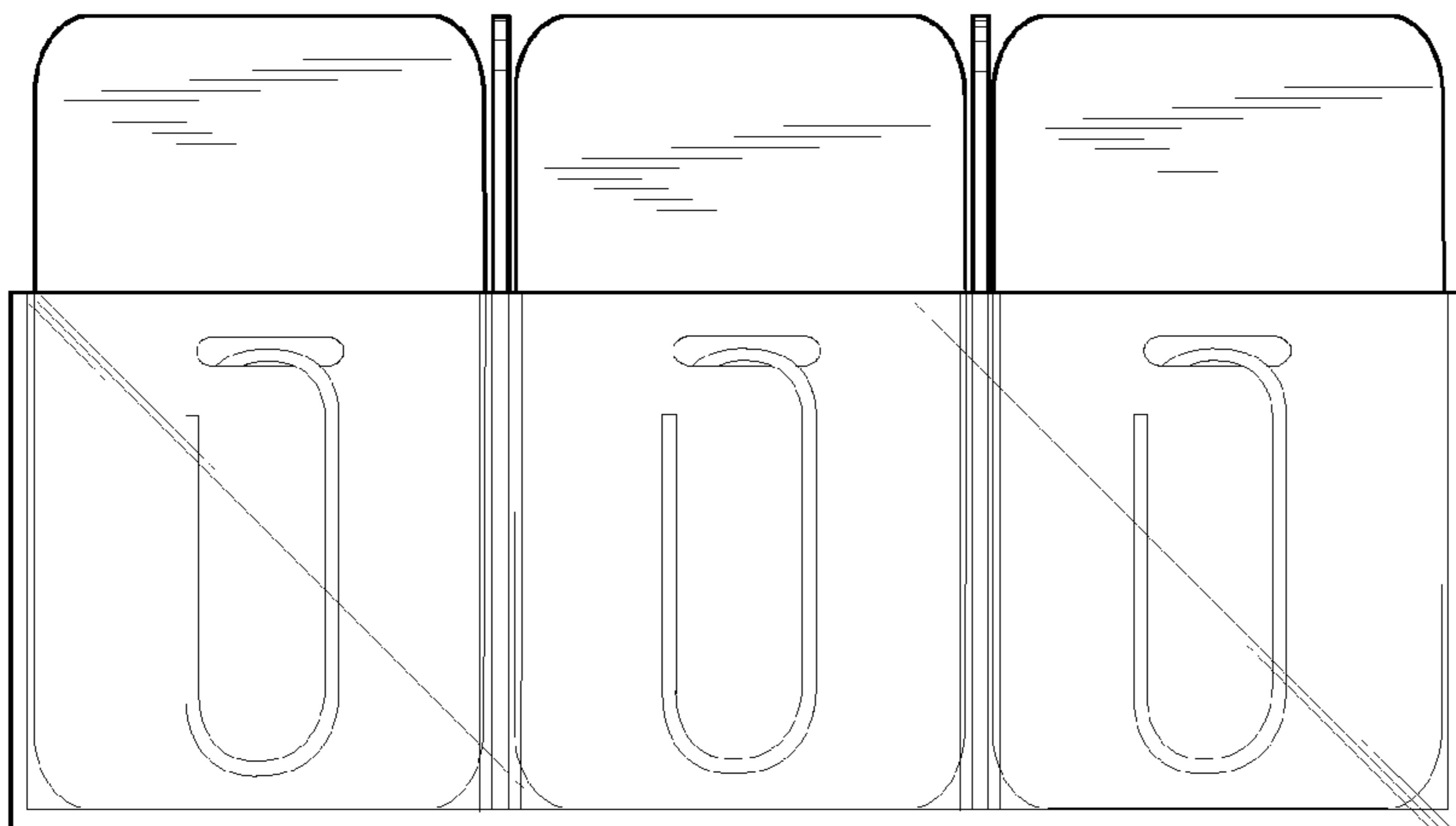


FIG. 45

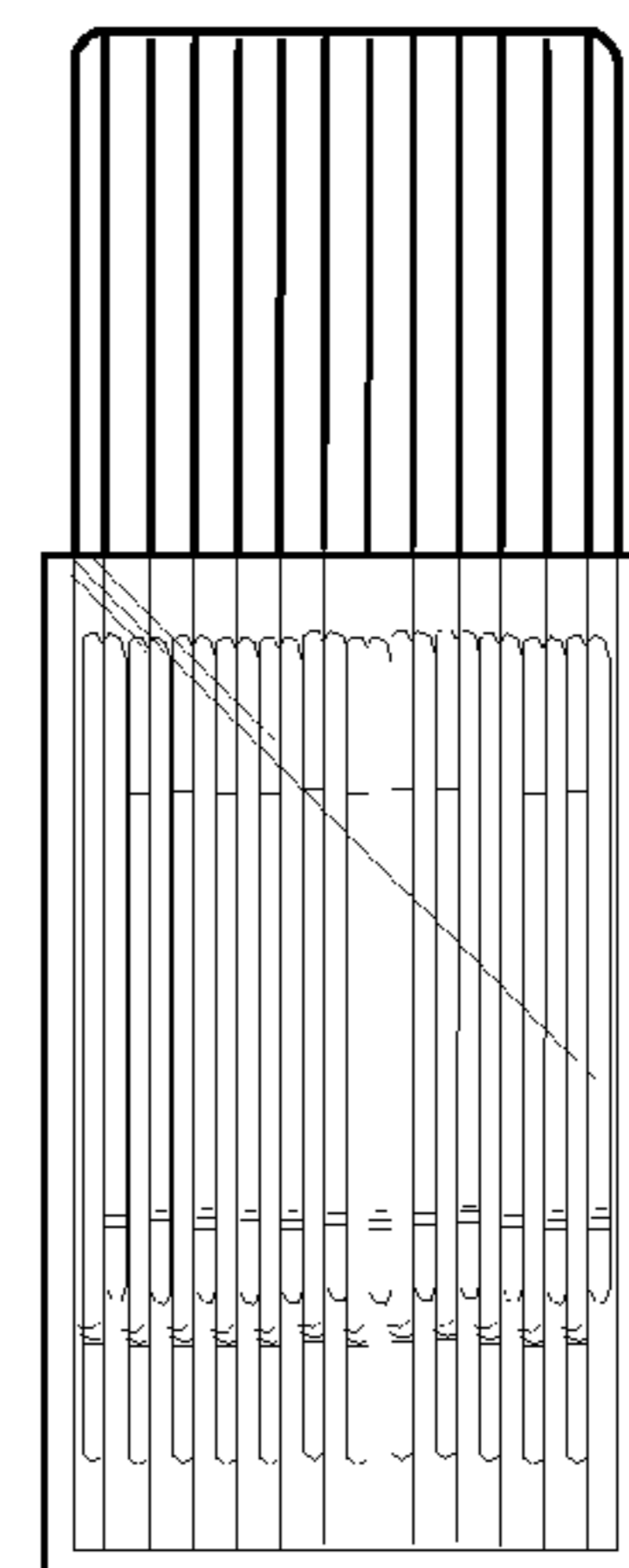


FIG. 46

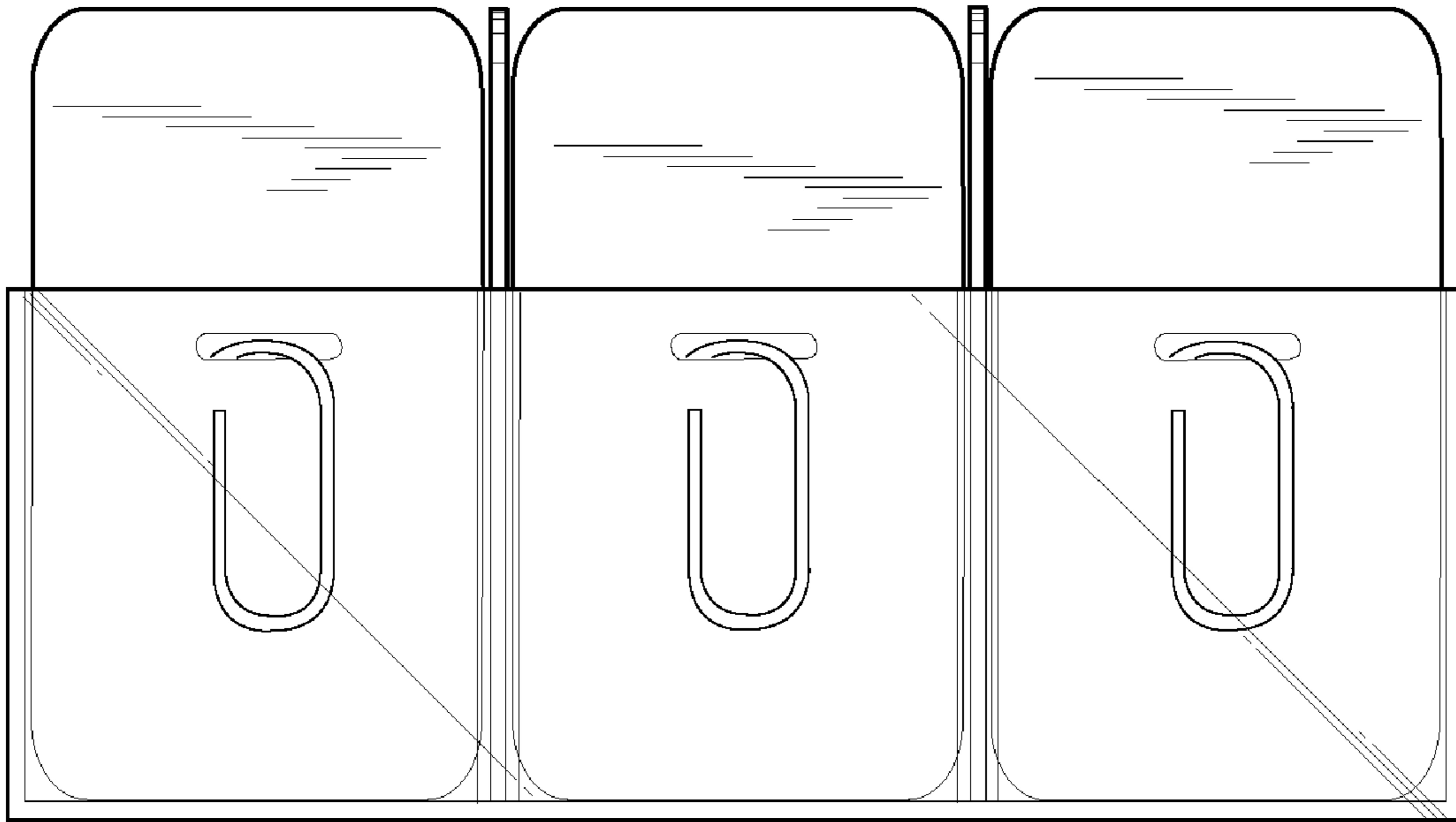


FIG. 47

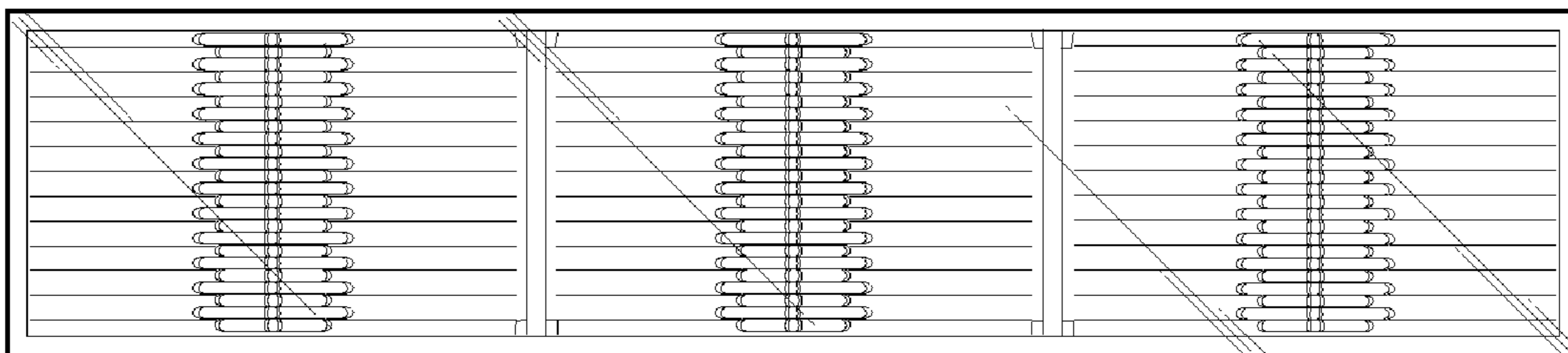


FIG. 48

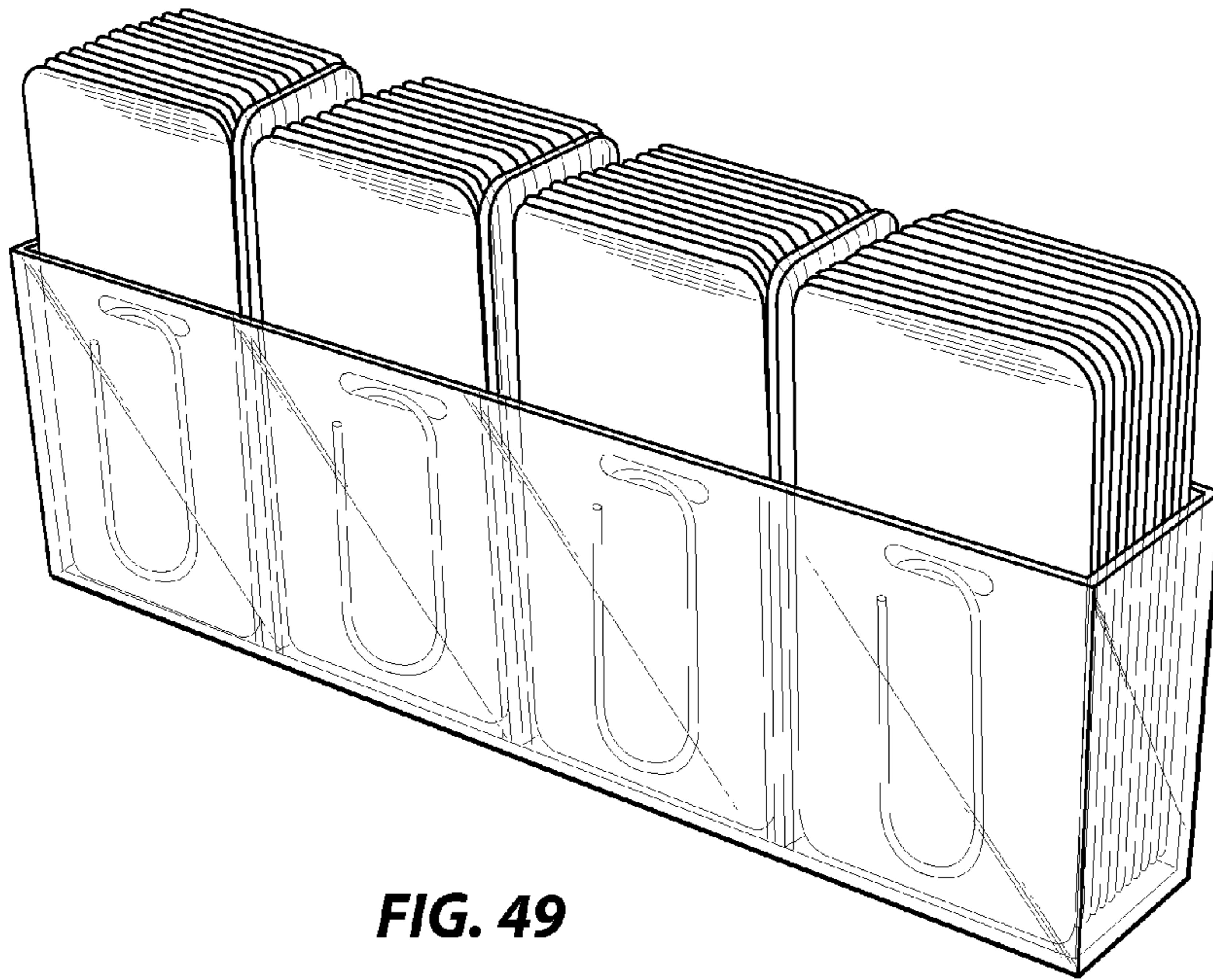


FIG. 49

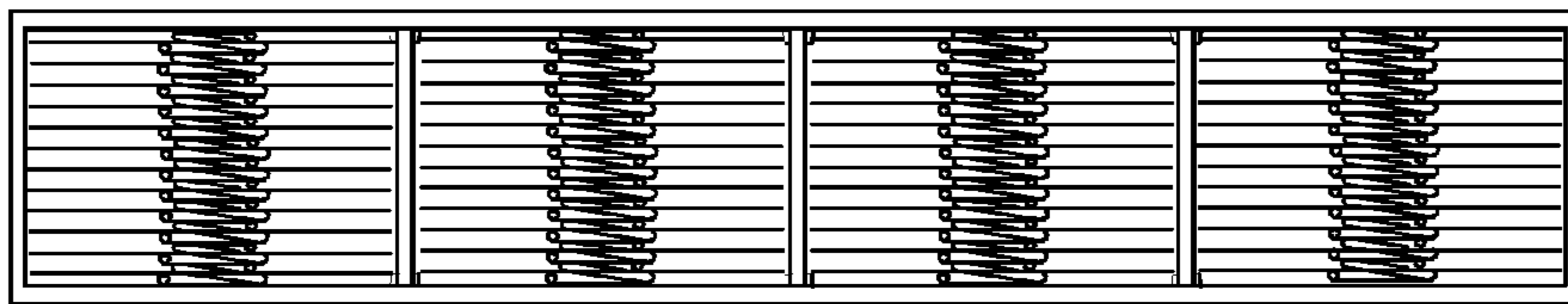


FIG. 50

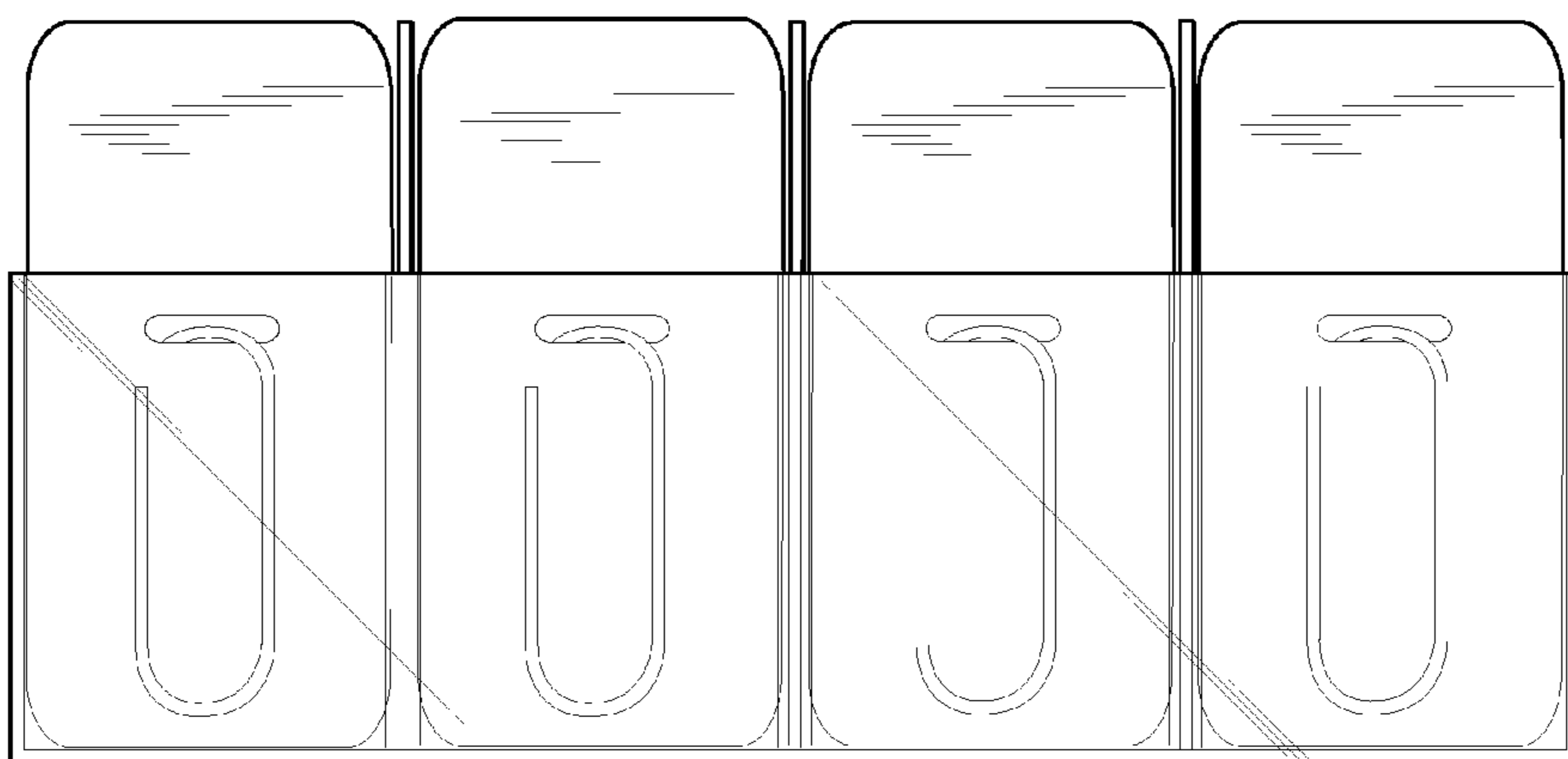


FIG. 51

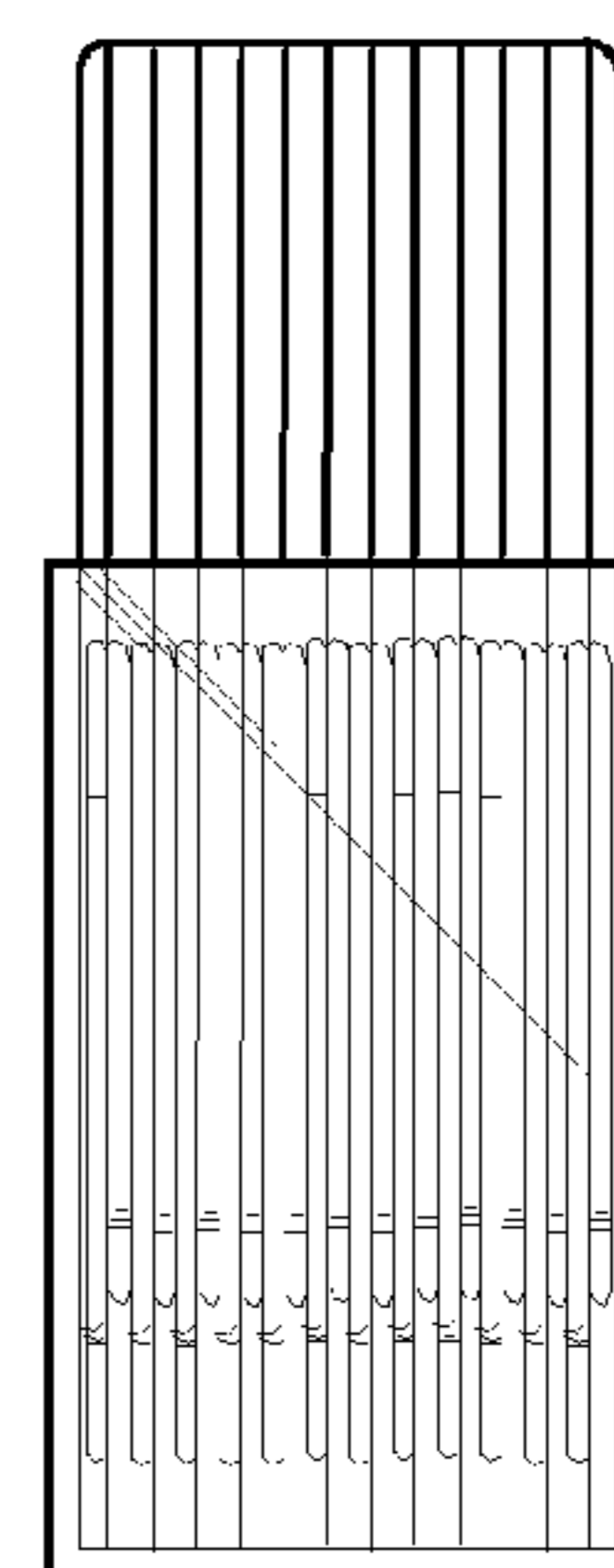


FIG. 52

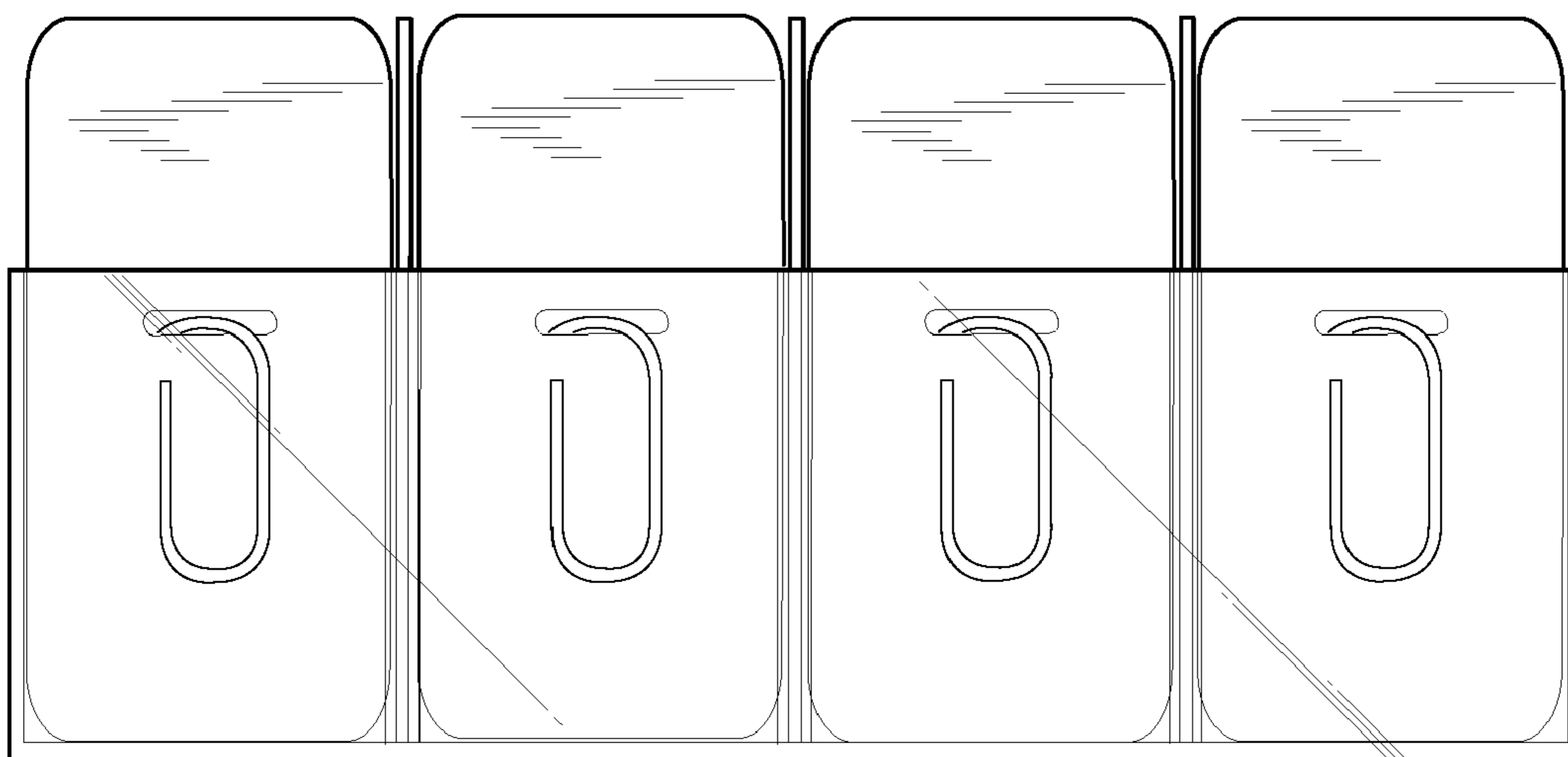


FIG. 53

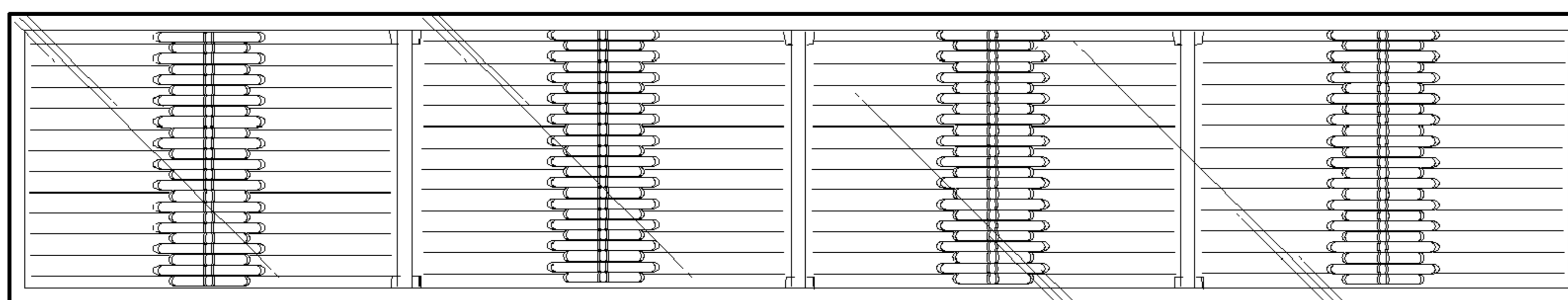


FIG. 54

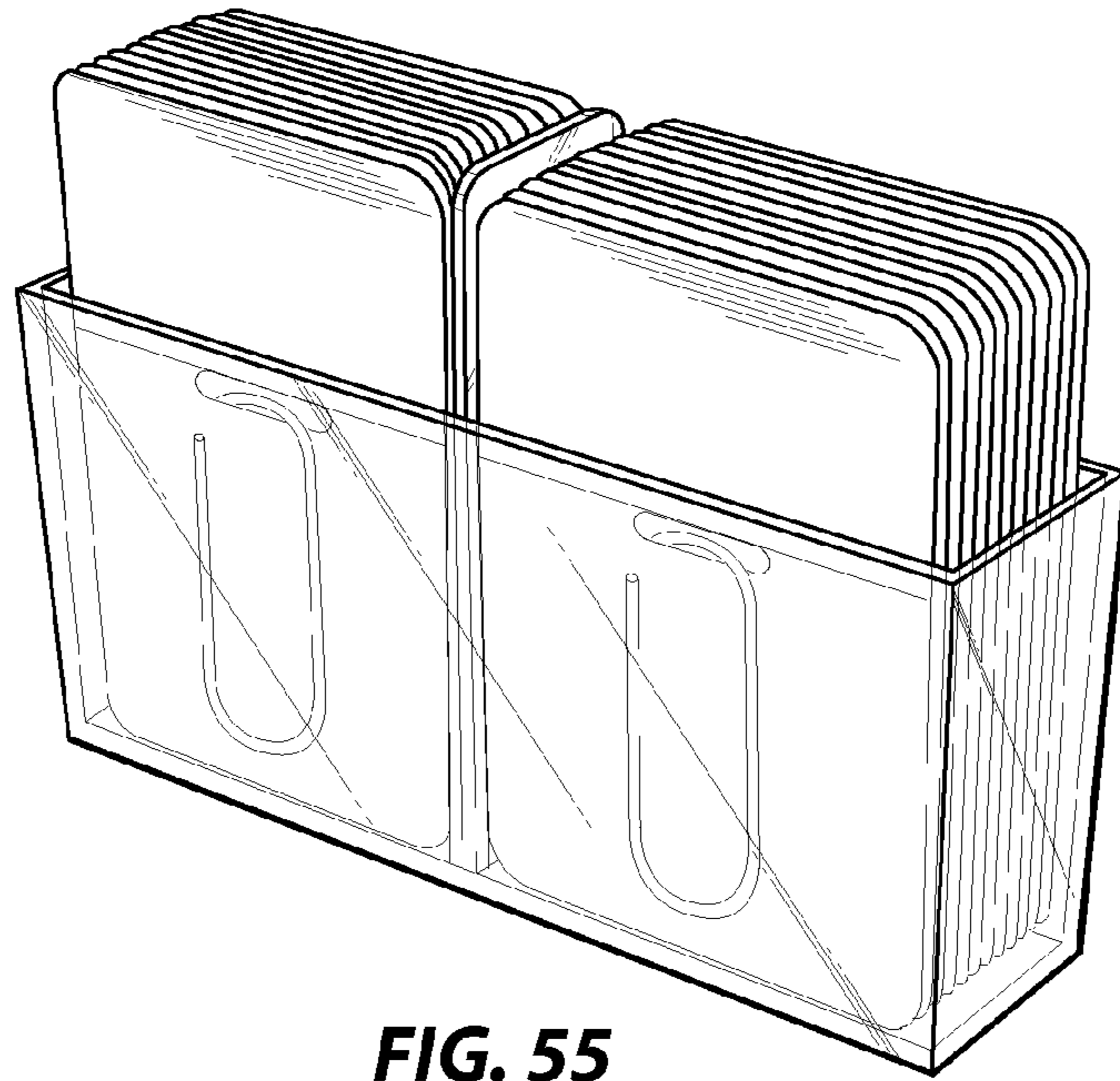


FIG. 55

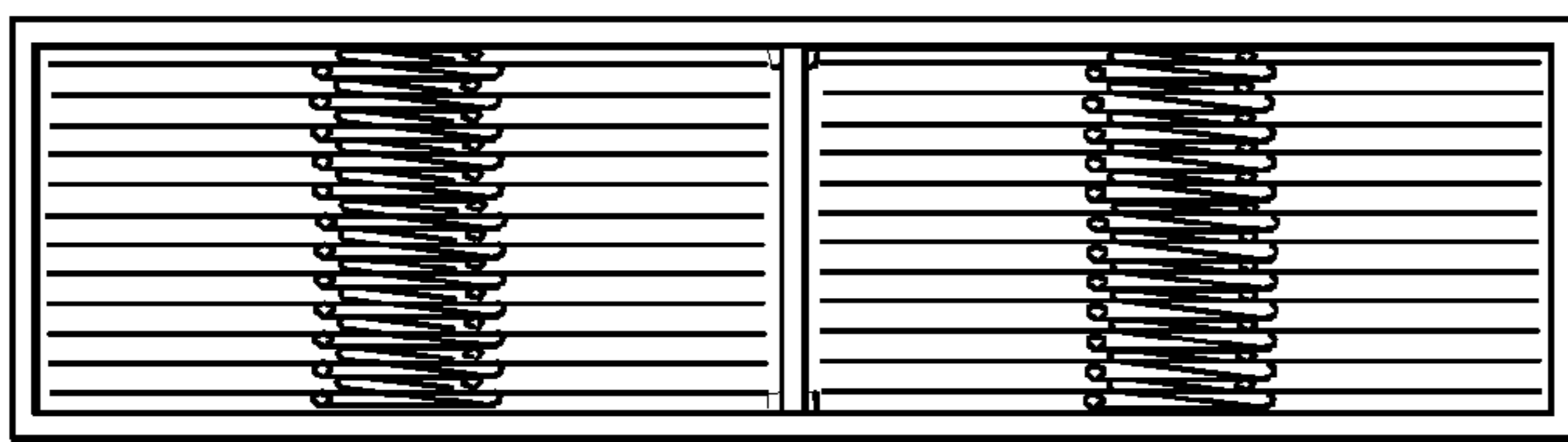


FIG. 56

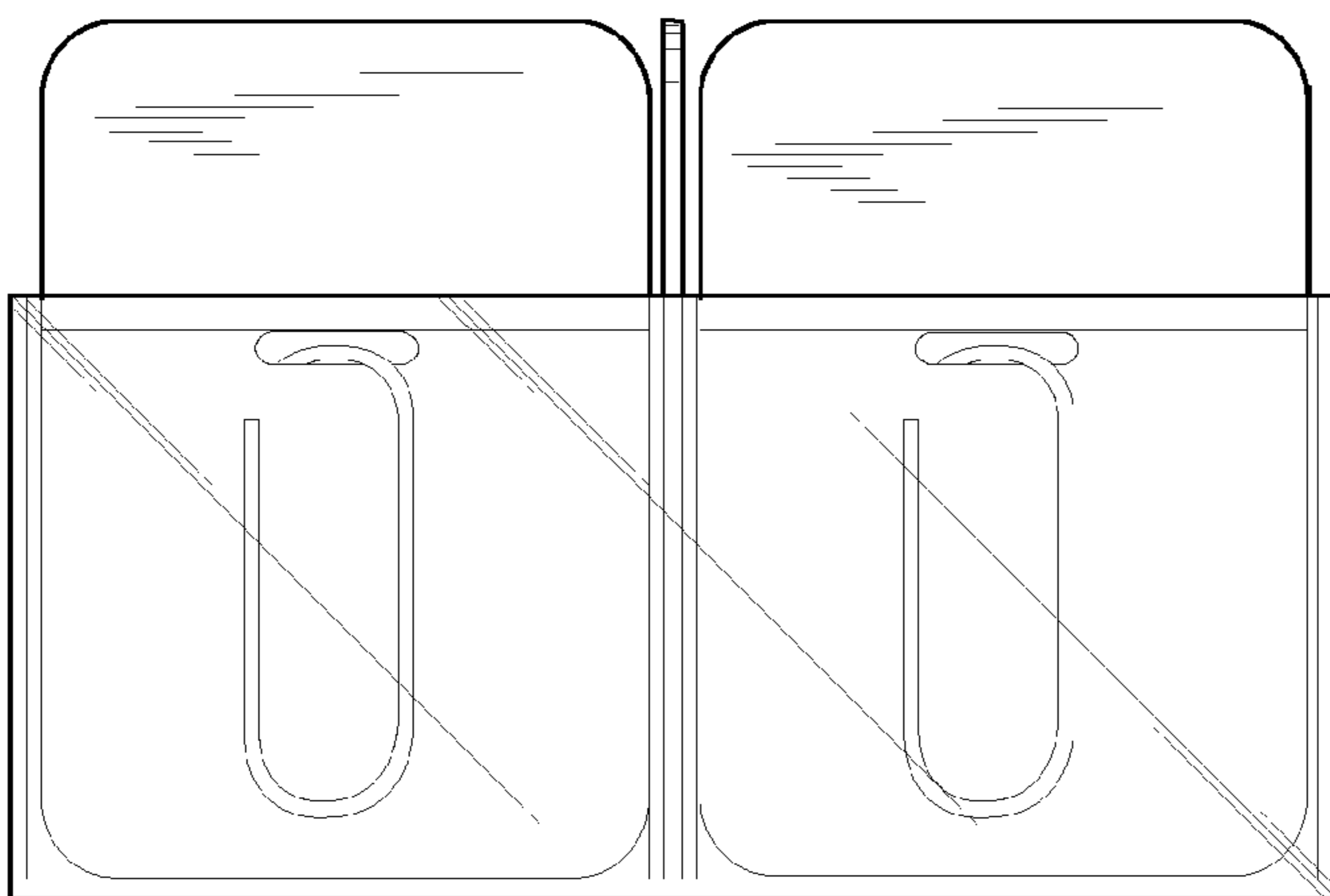


FIG. 57

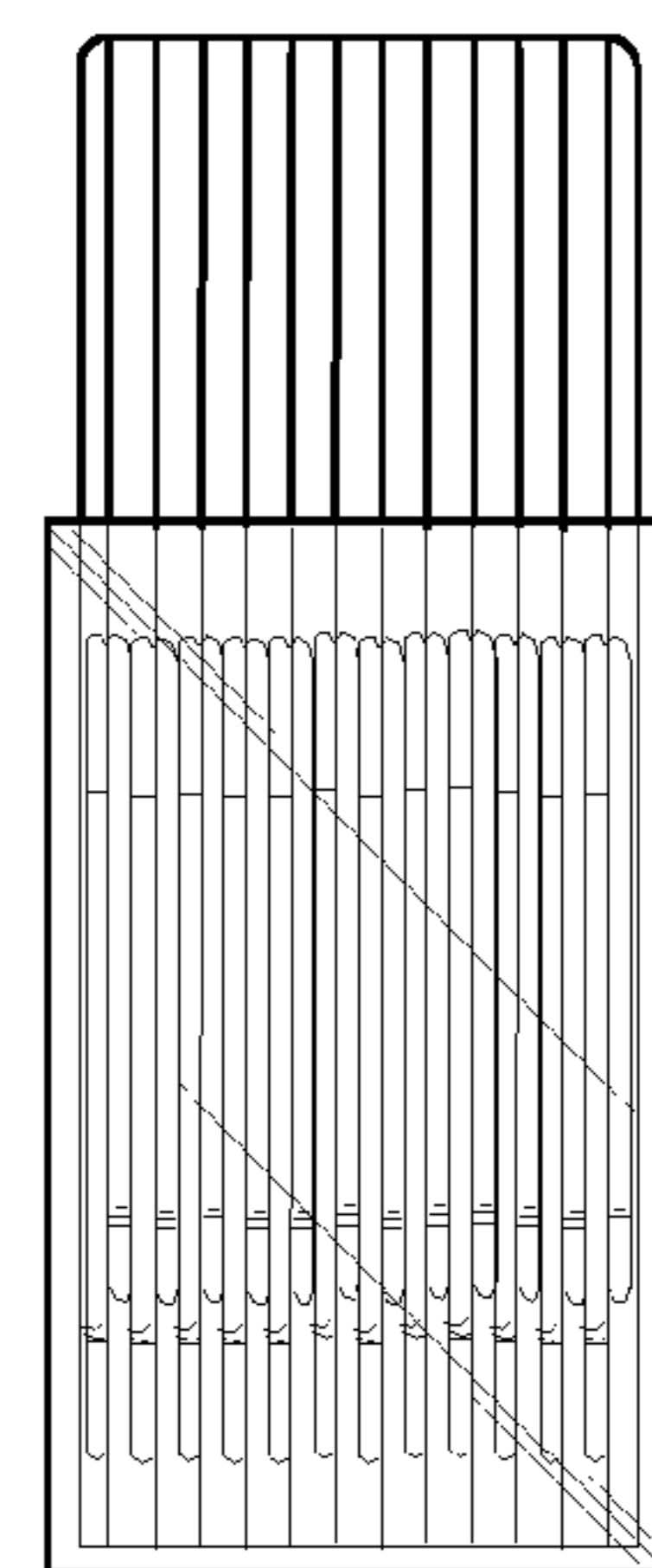


FIG. 58

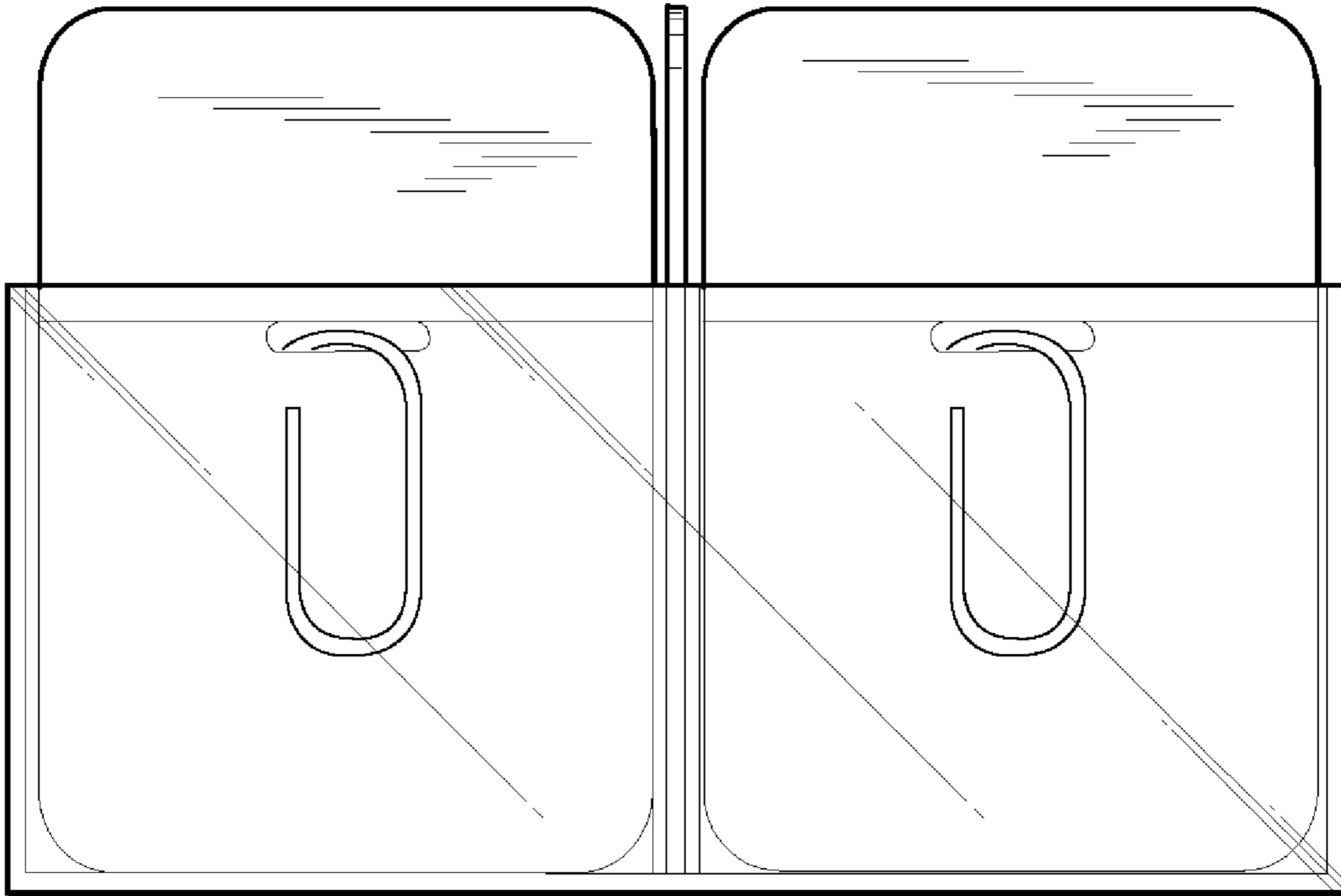


FIG. 59

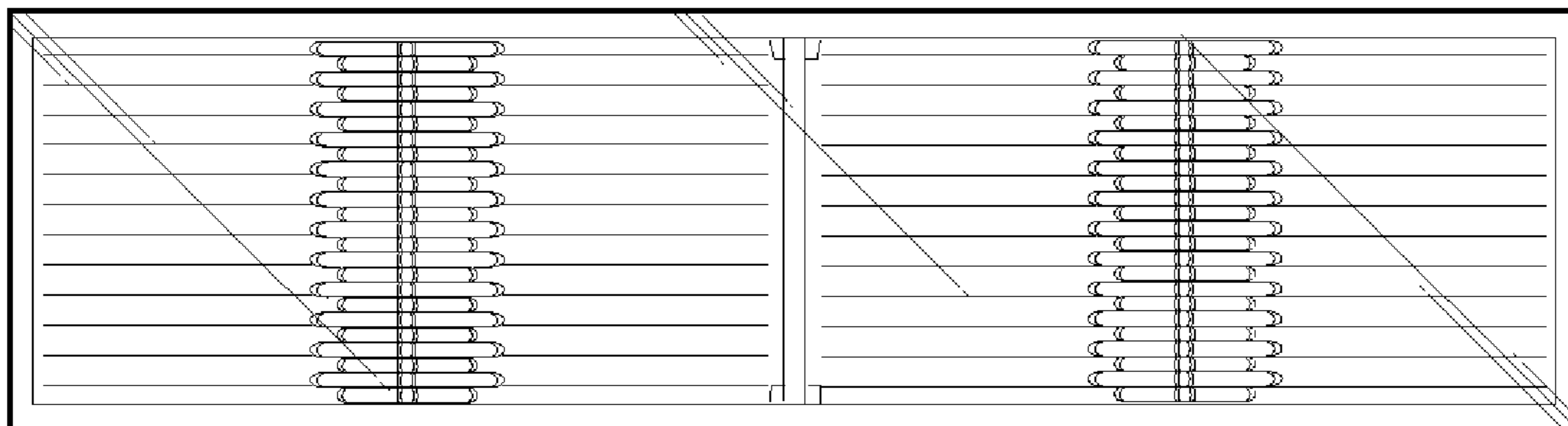


FIG. 60

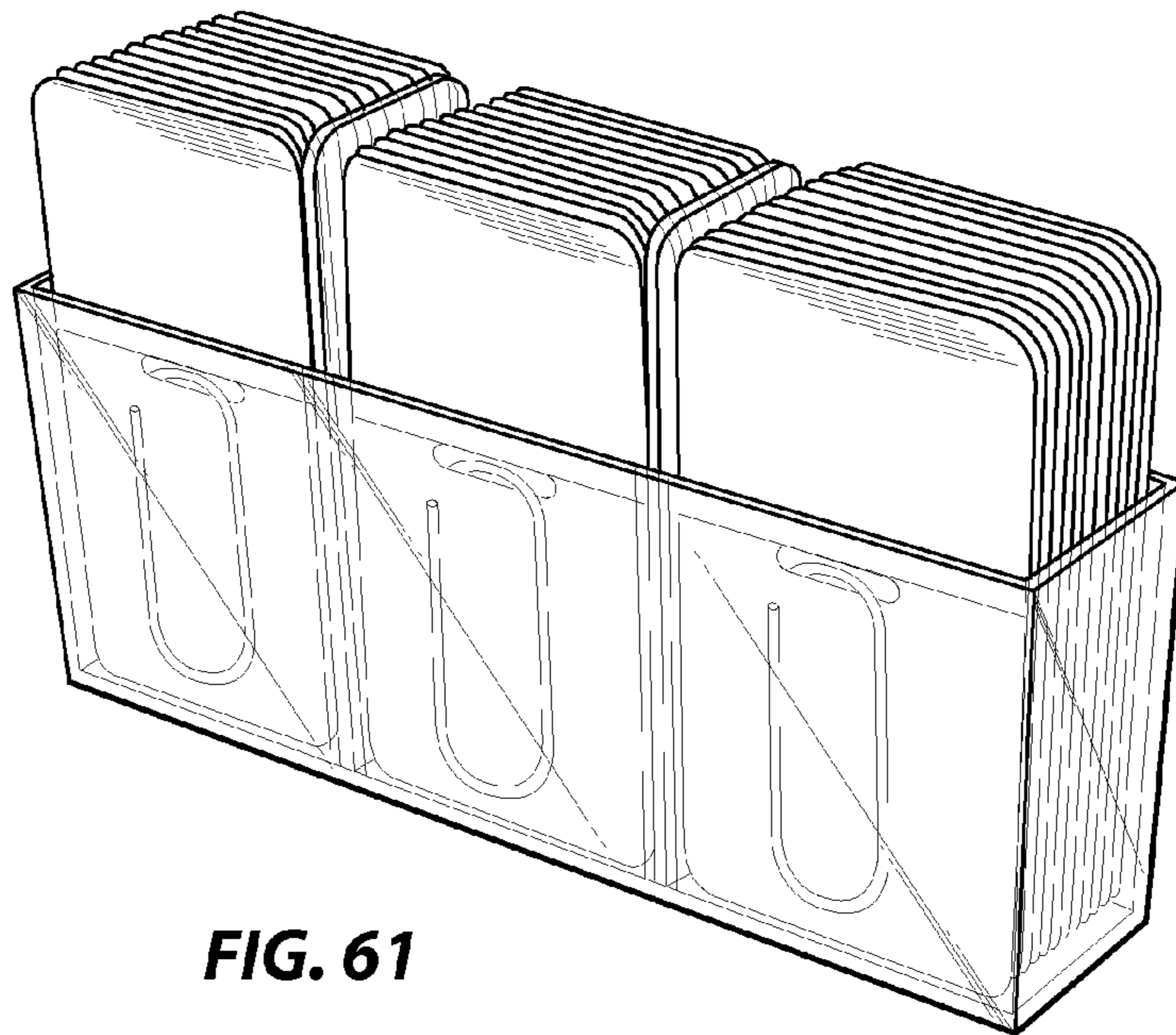


FIG. 61

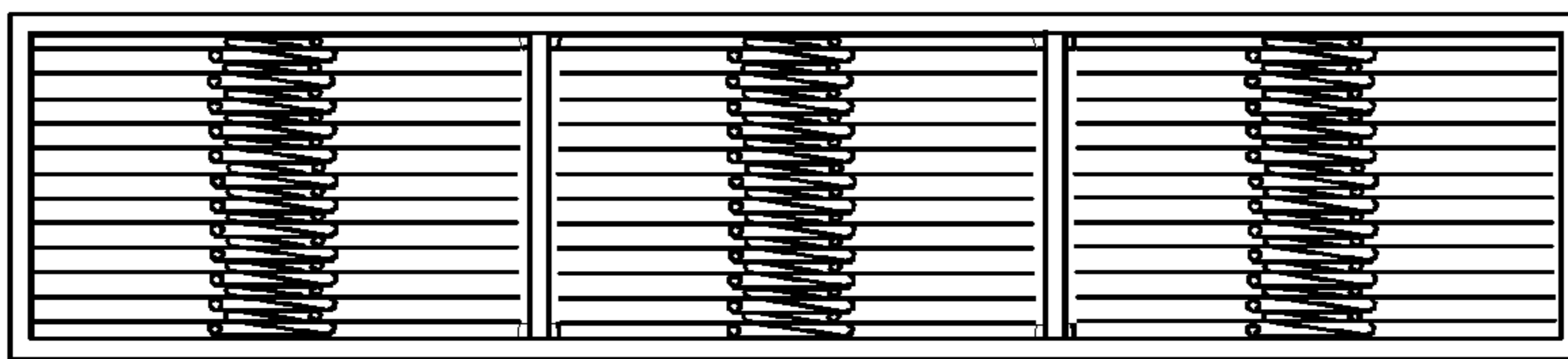


FIG. 62

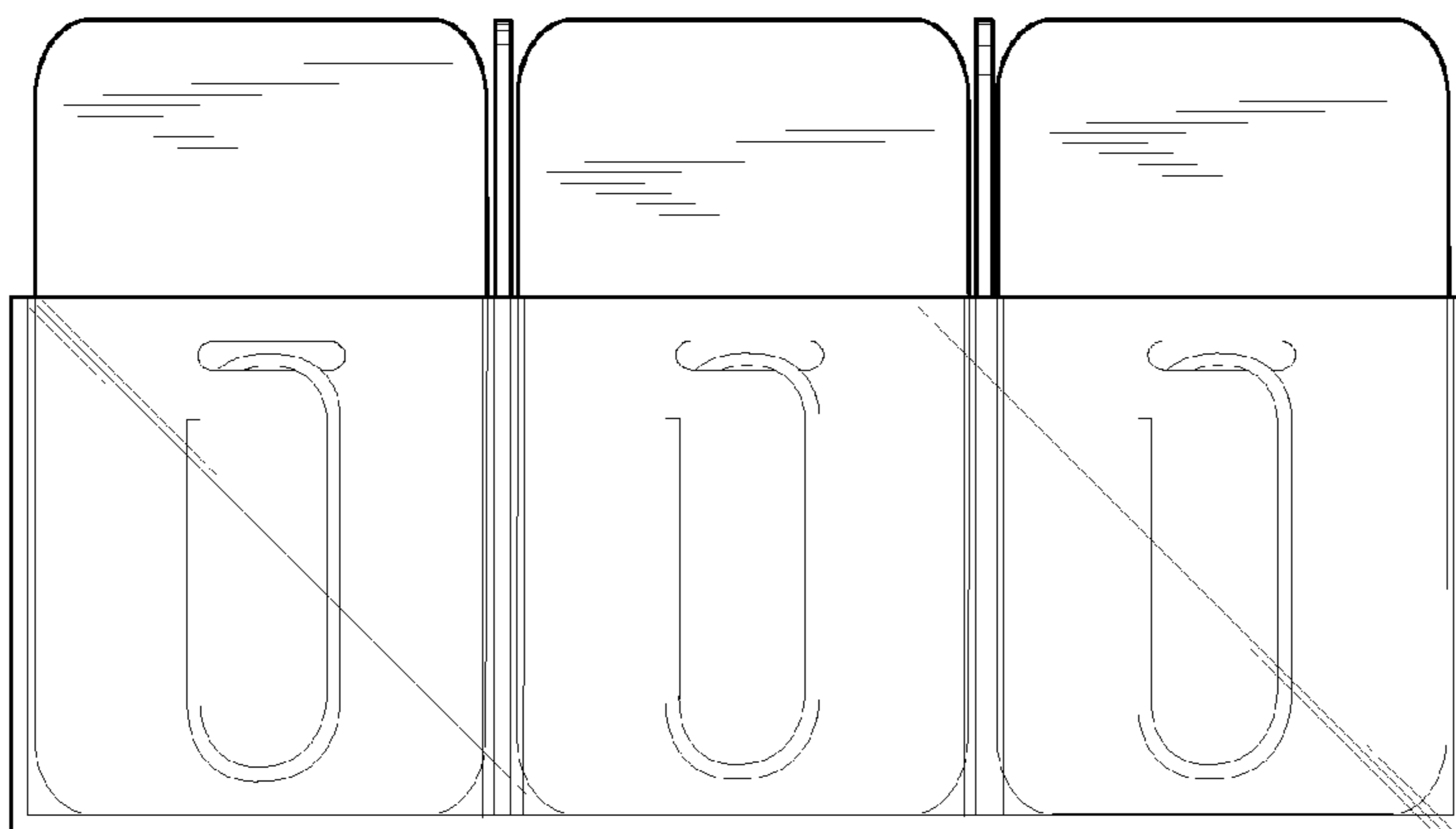


FIG. 63

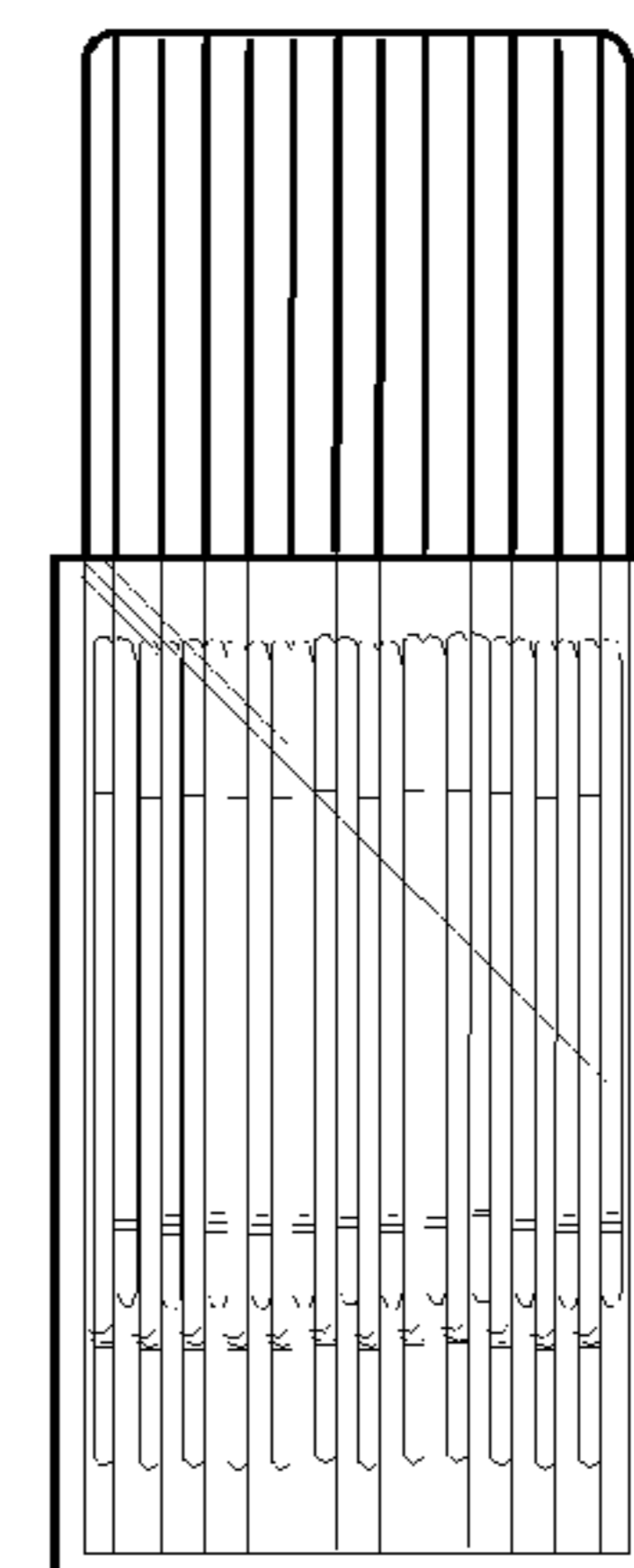


FIG. 64

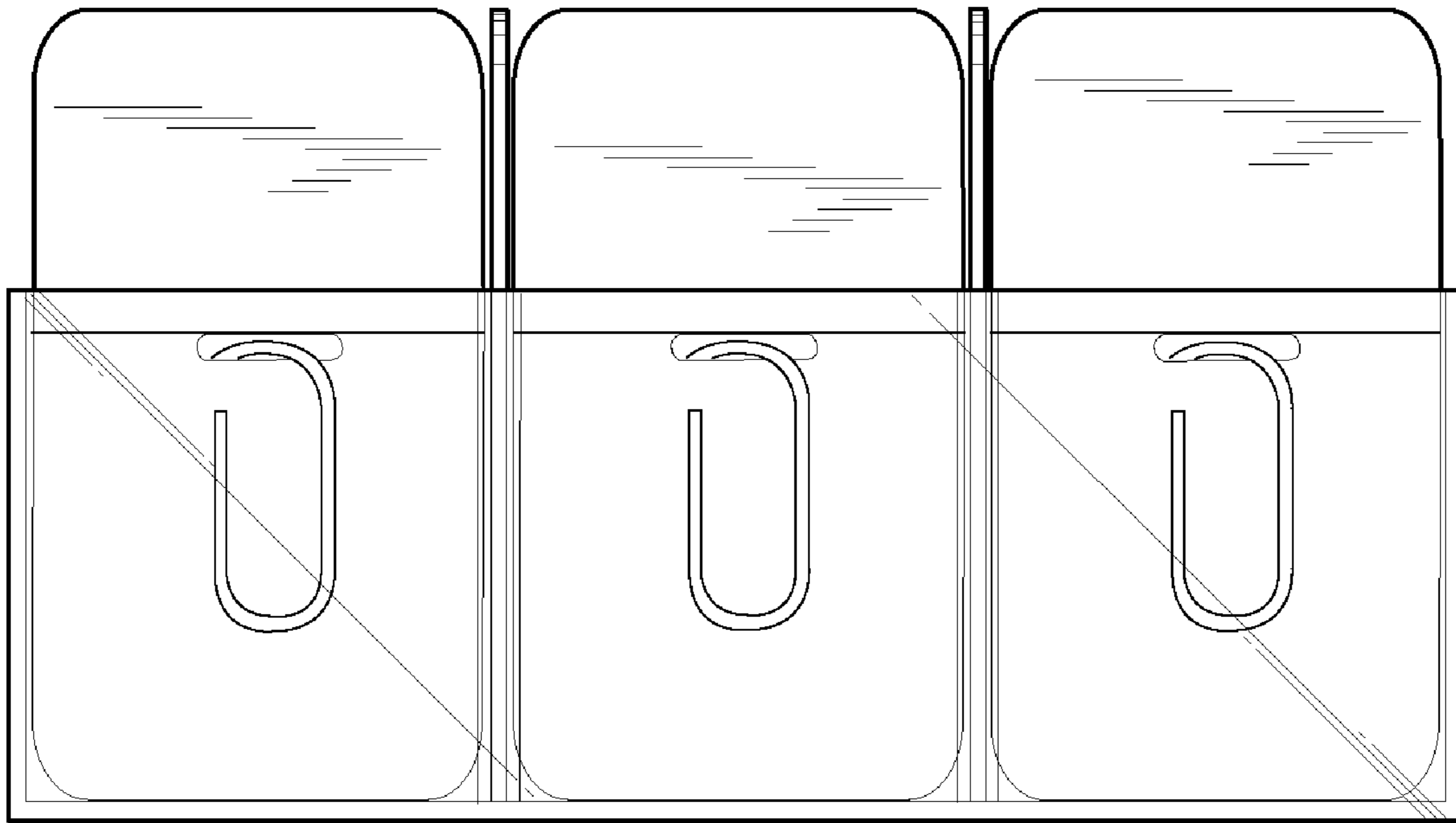


FIG. 65

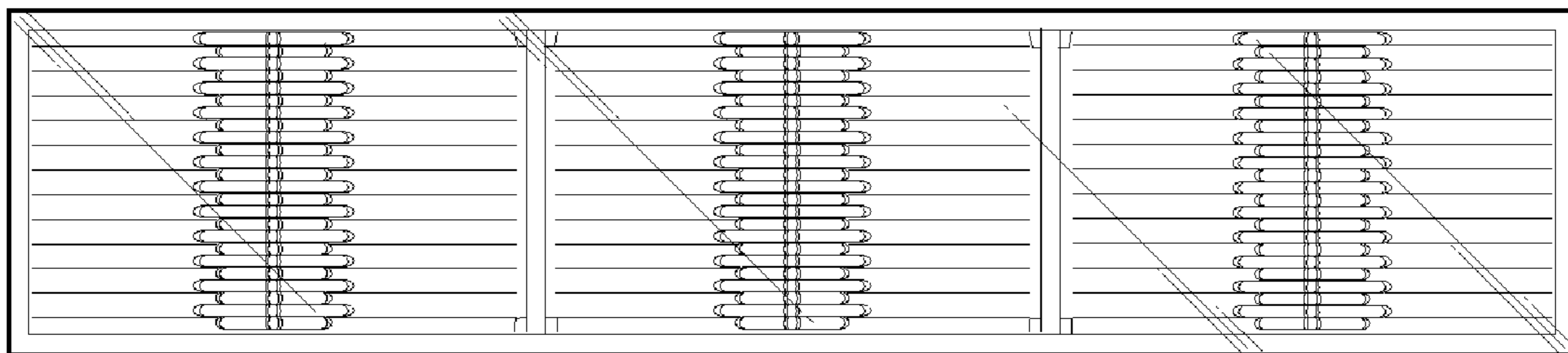


FIG. 66

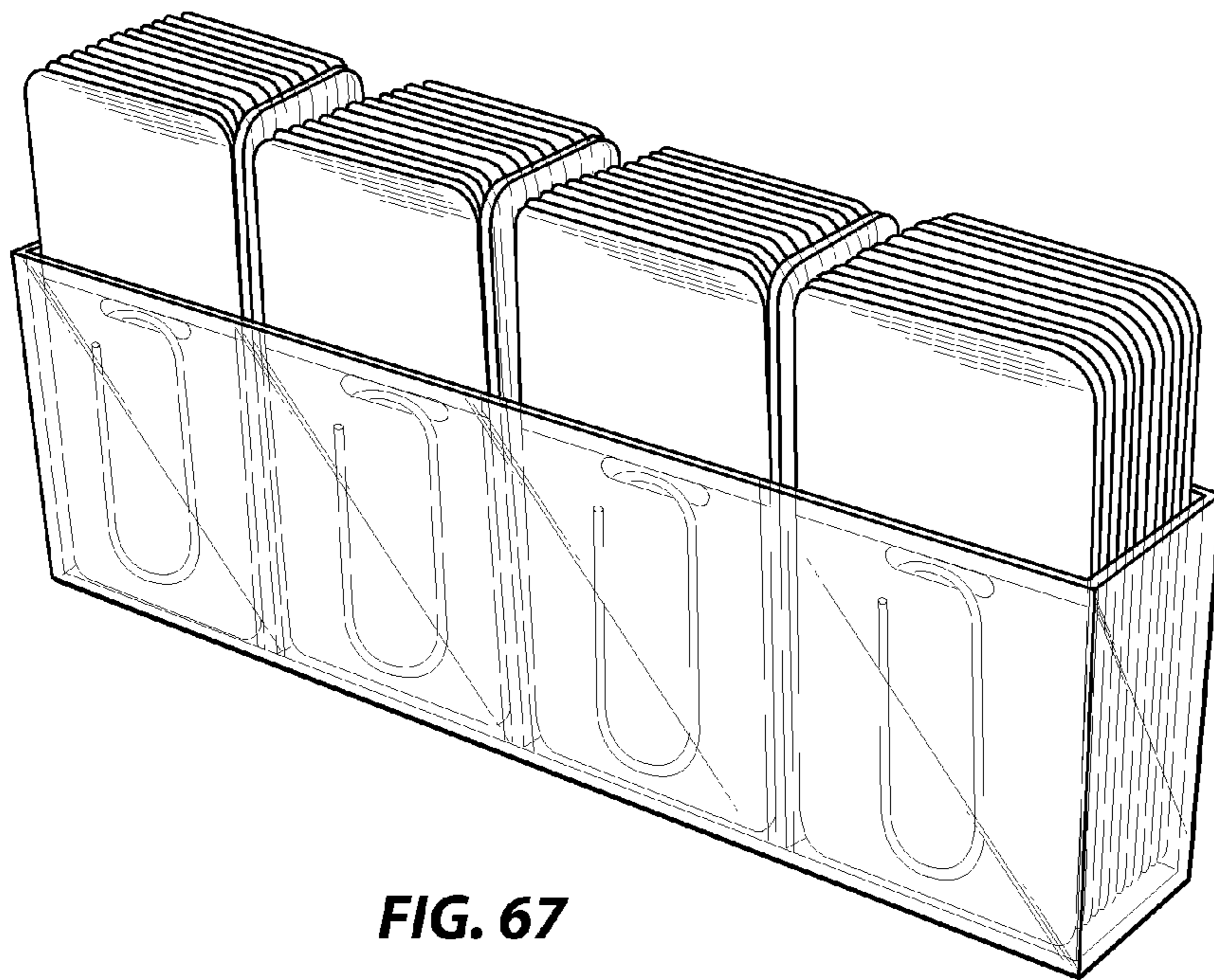


FIG. 67

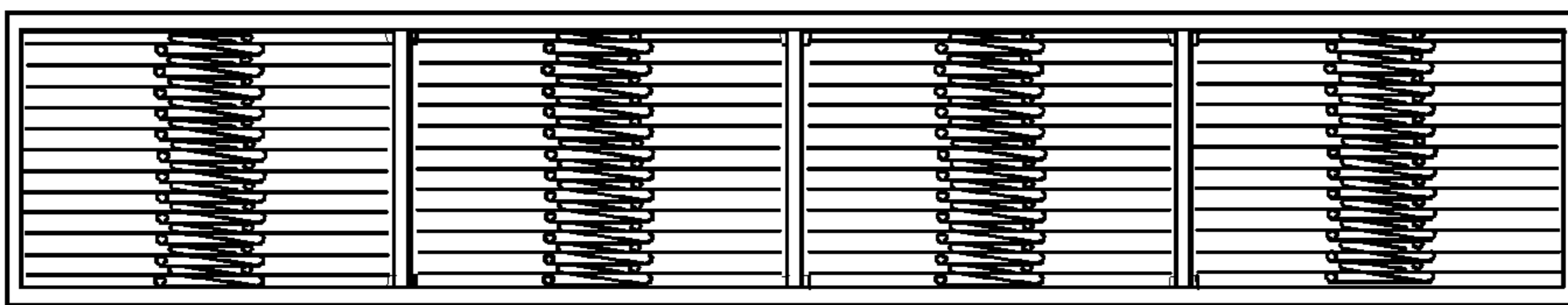


FIG. 68

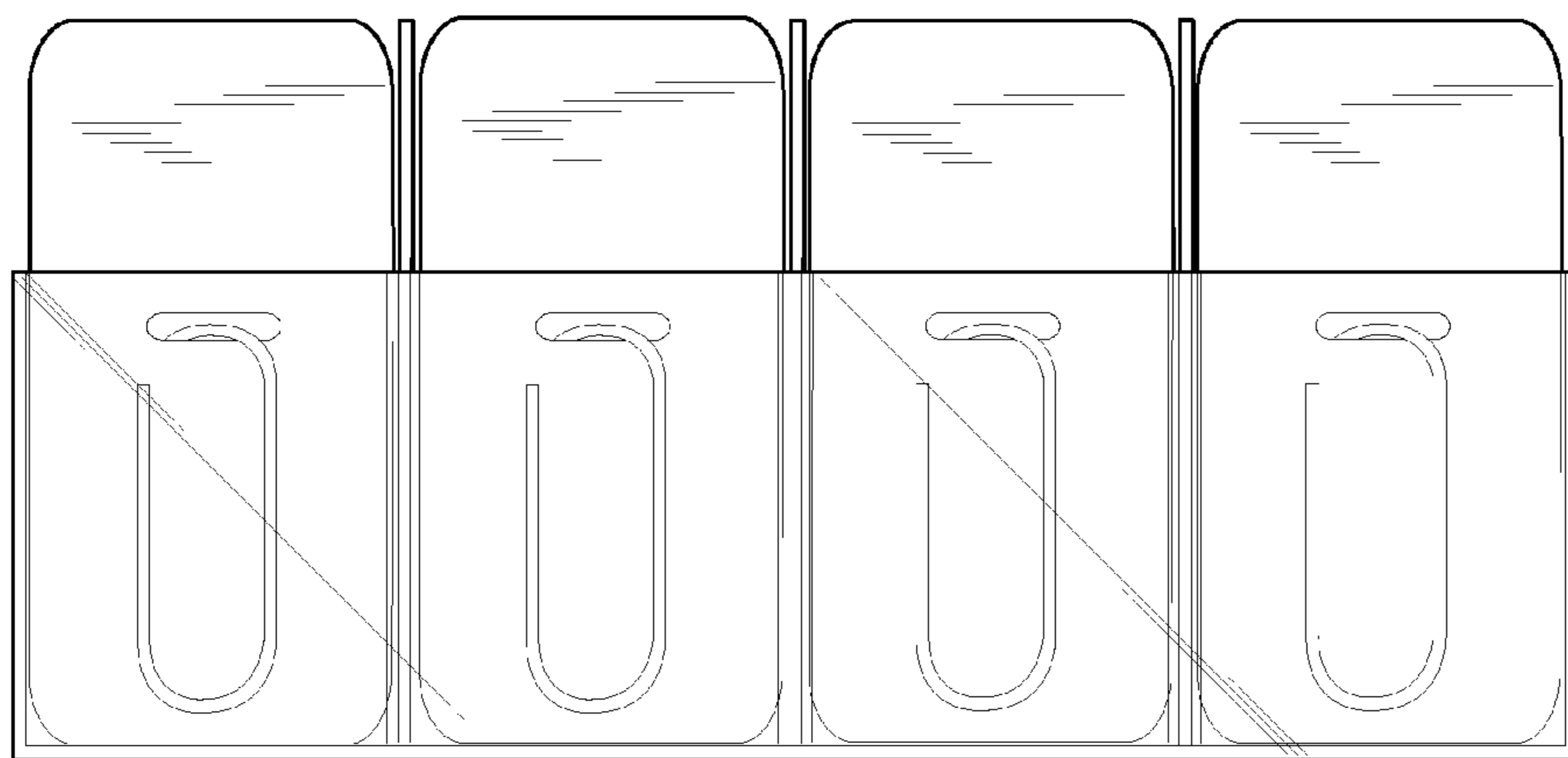


FIG. 69

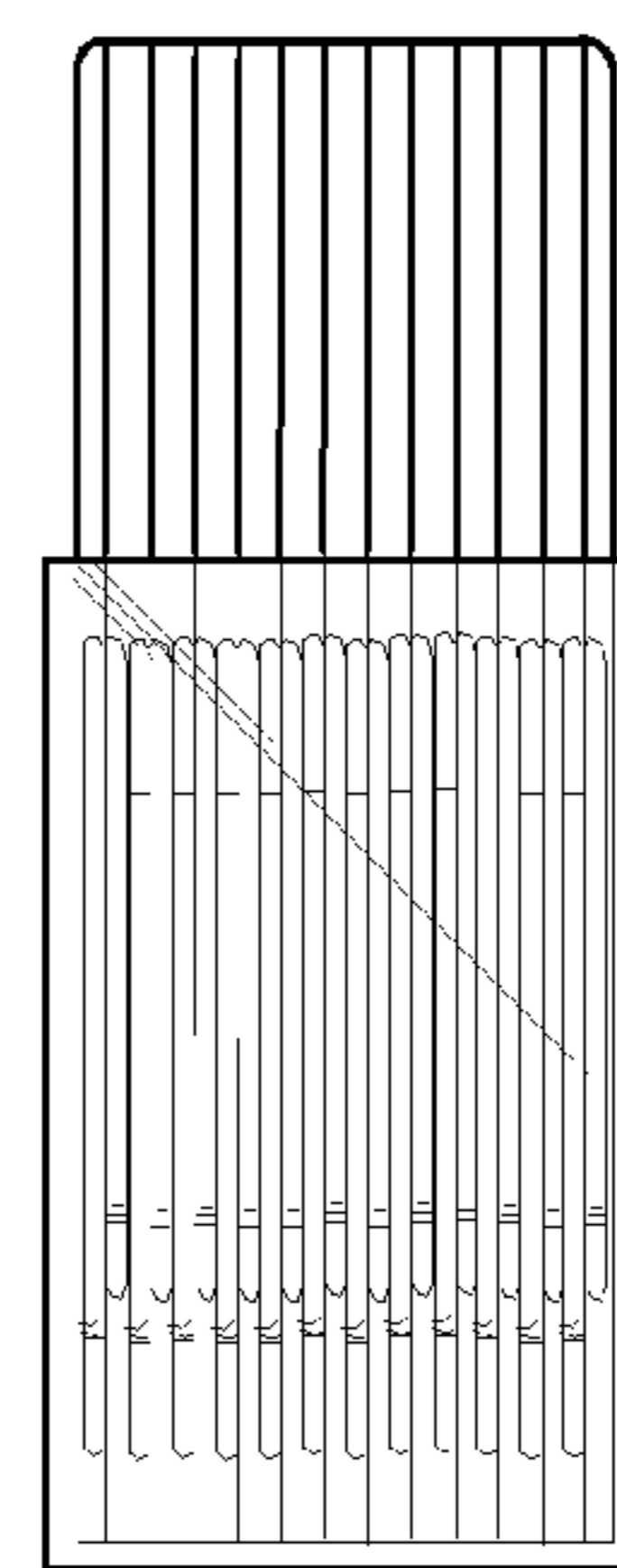


FIG. 70

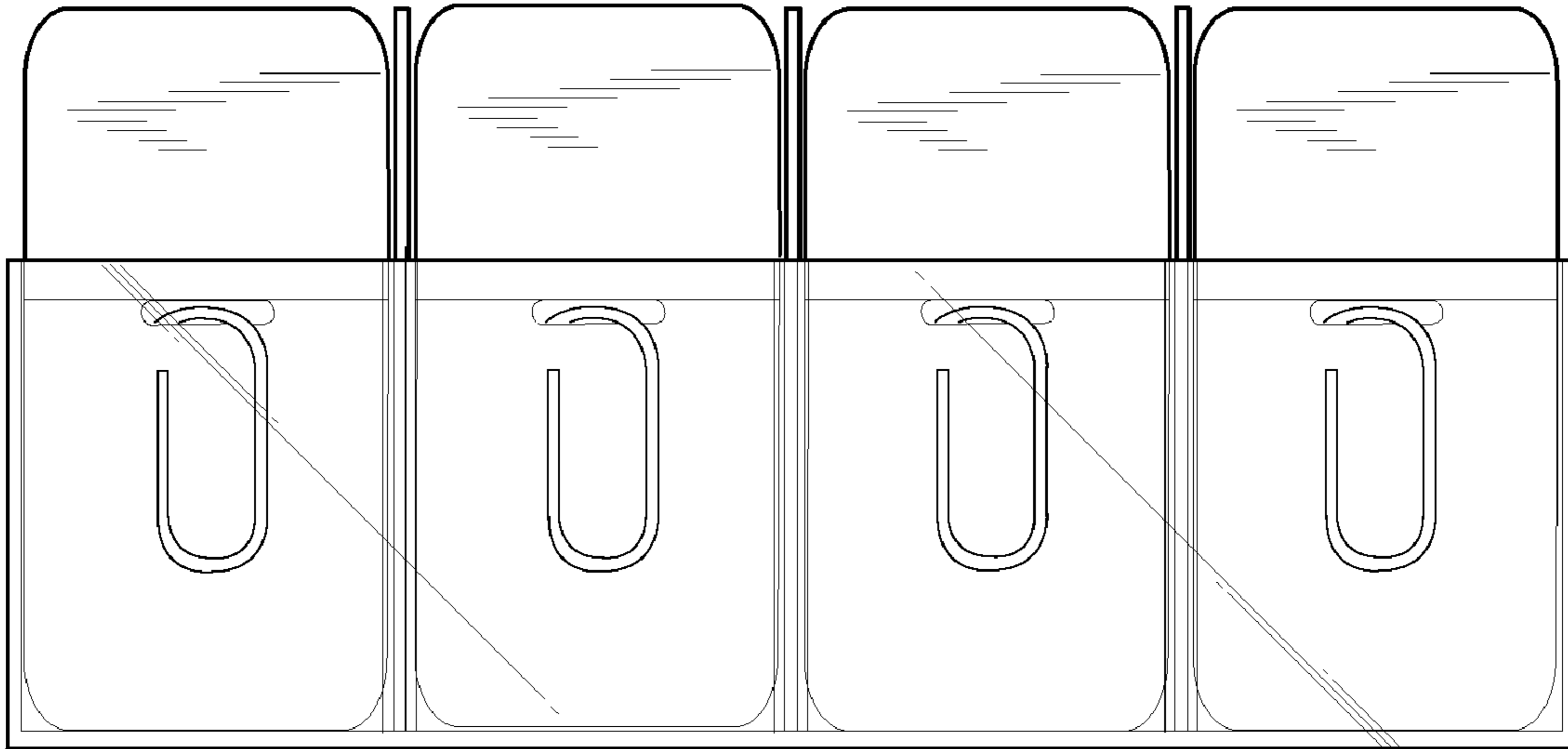


FIG. 71

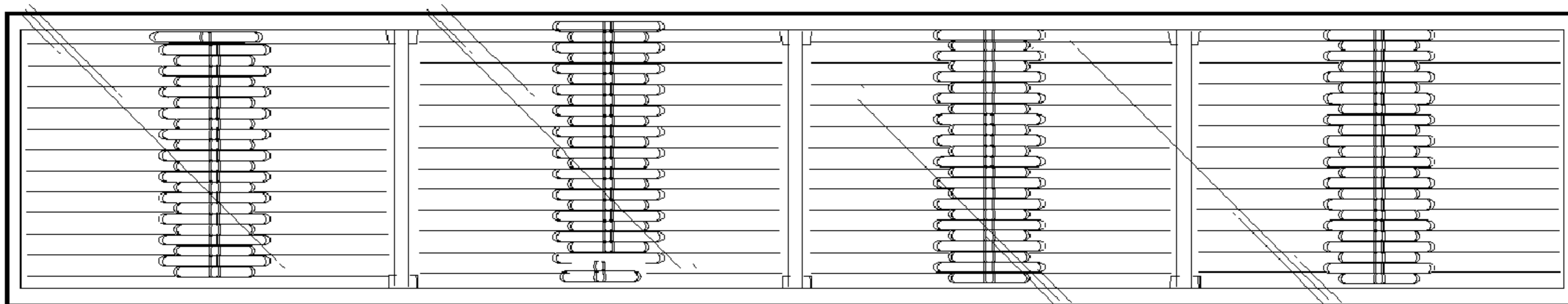


FIG. 72

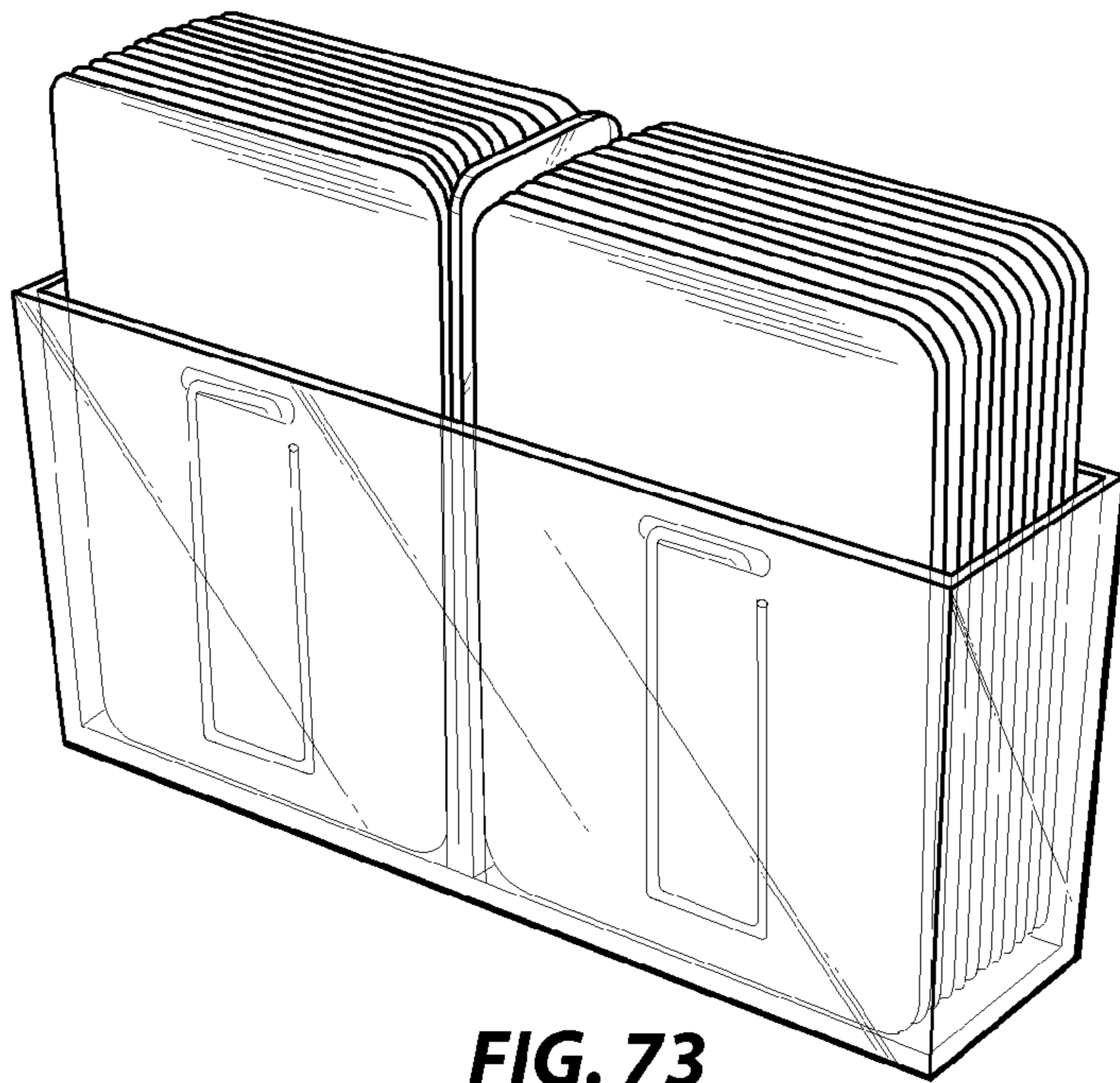


FIG. 73

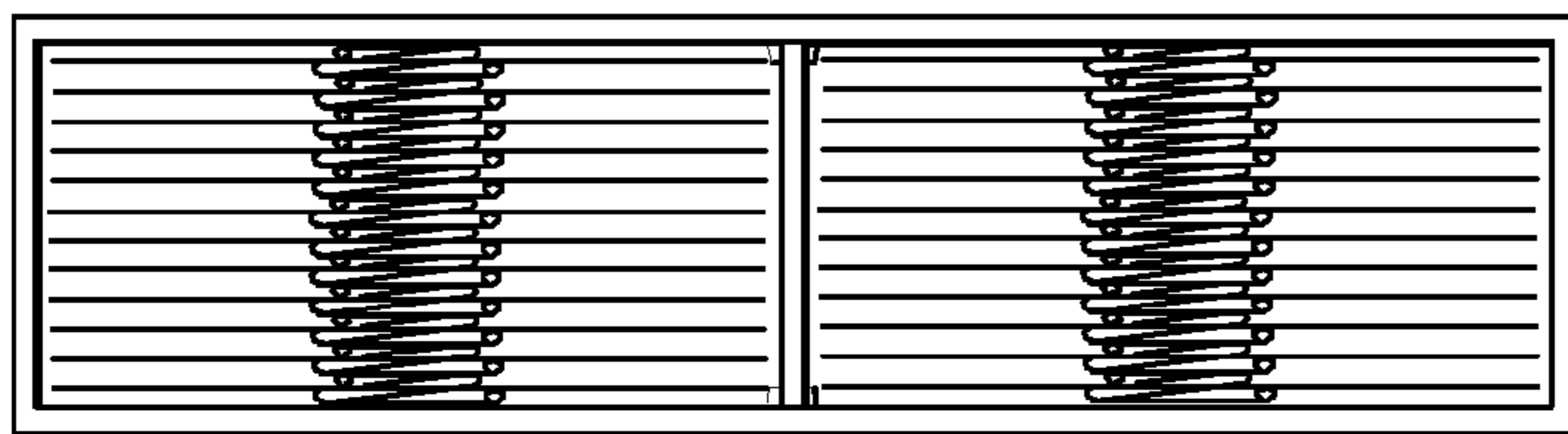


FIG. 74

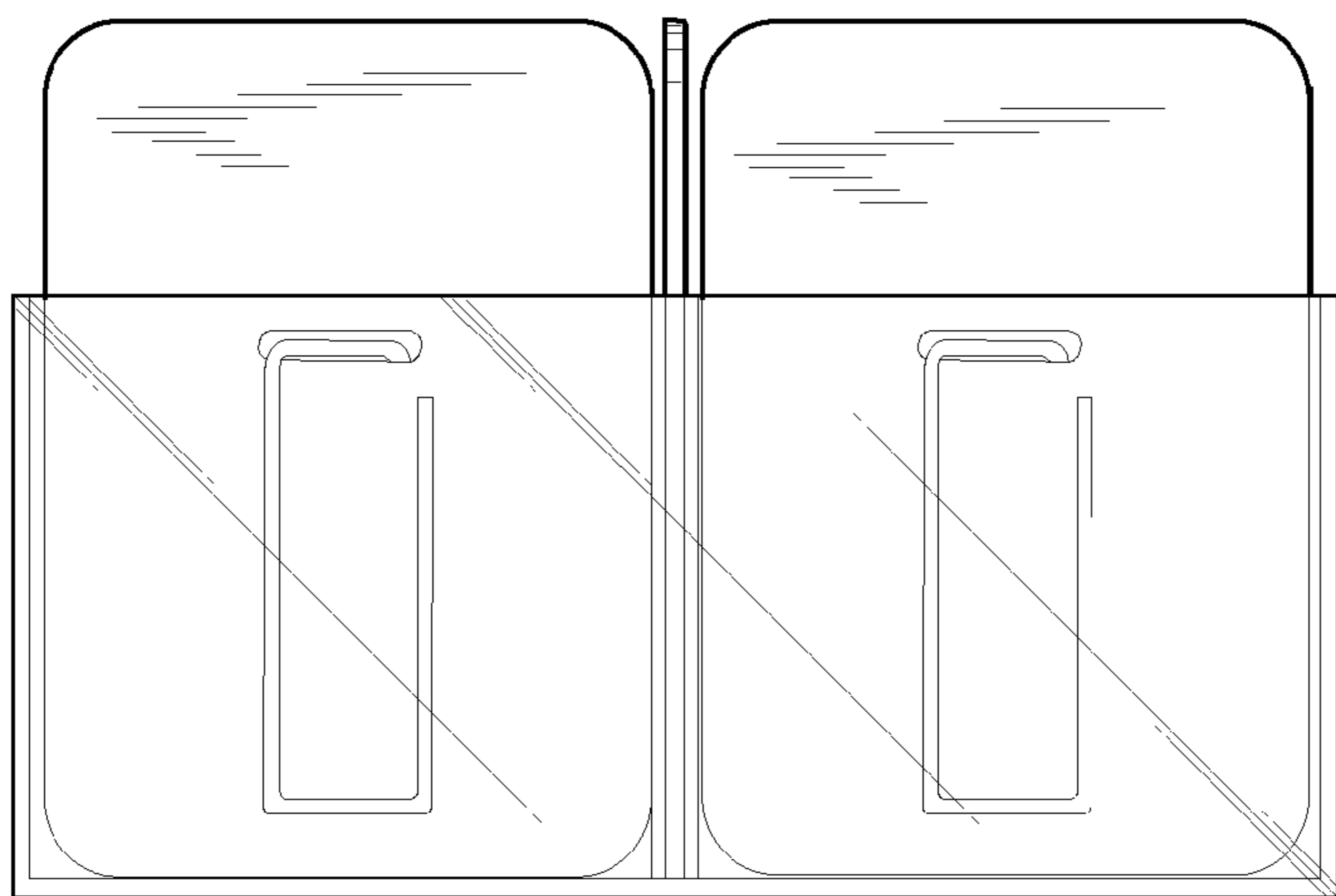


FIG. 75

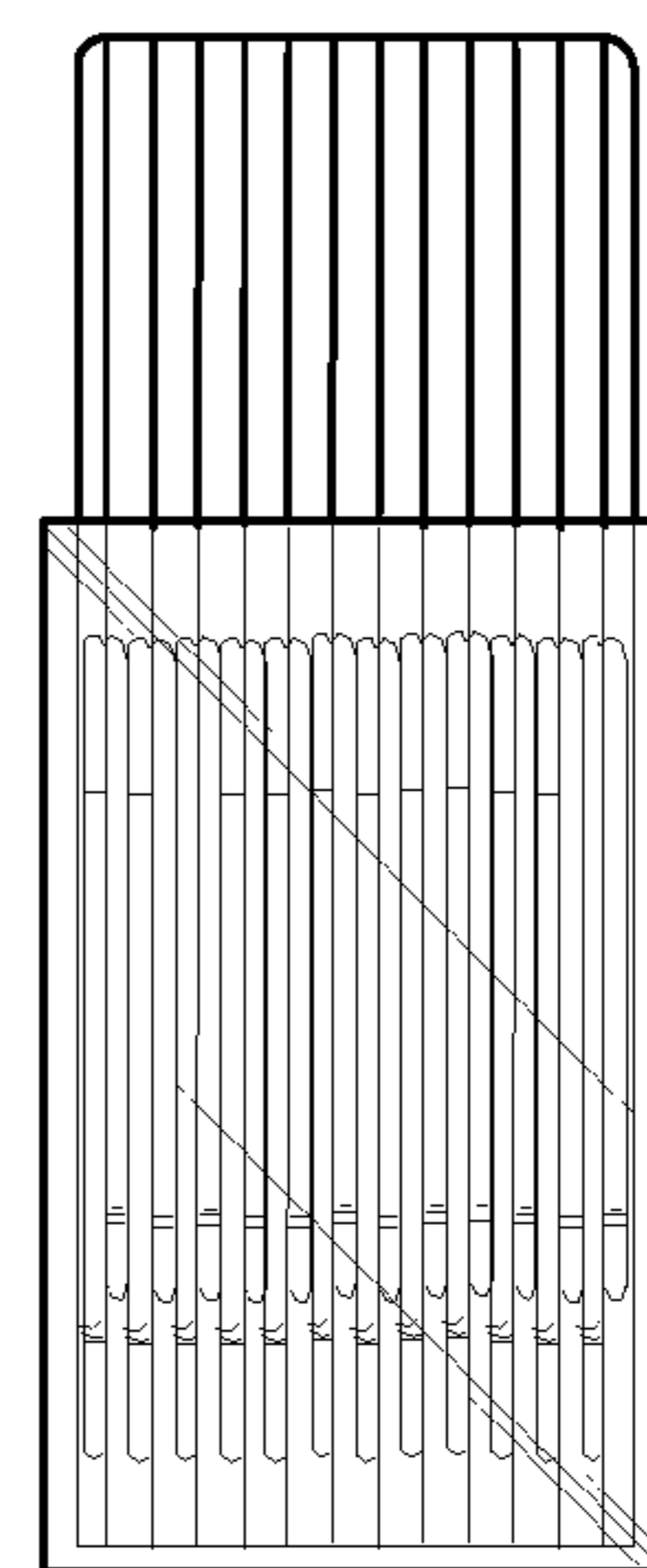


FIG. 76

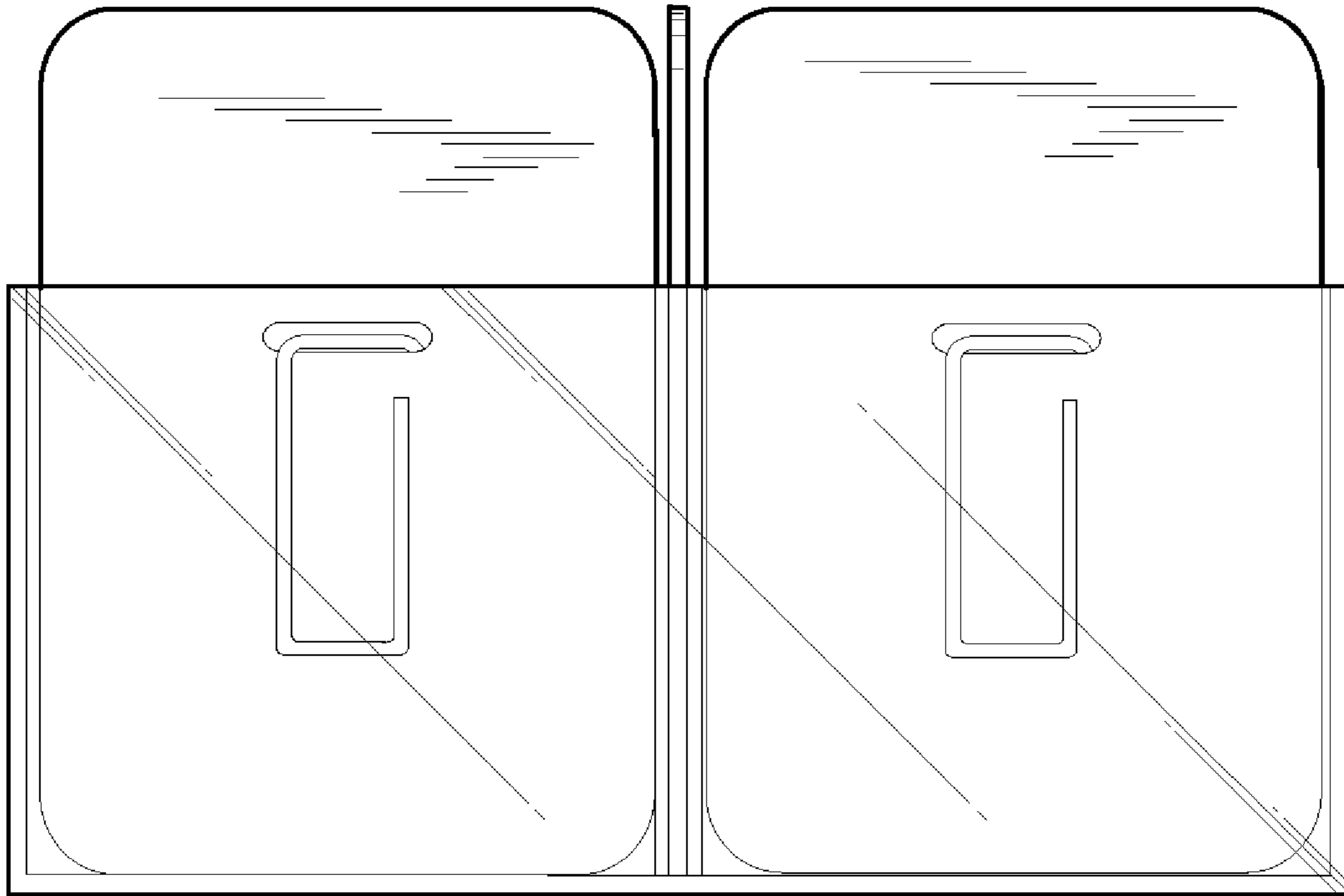


FIG. 77

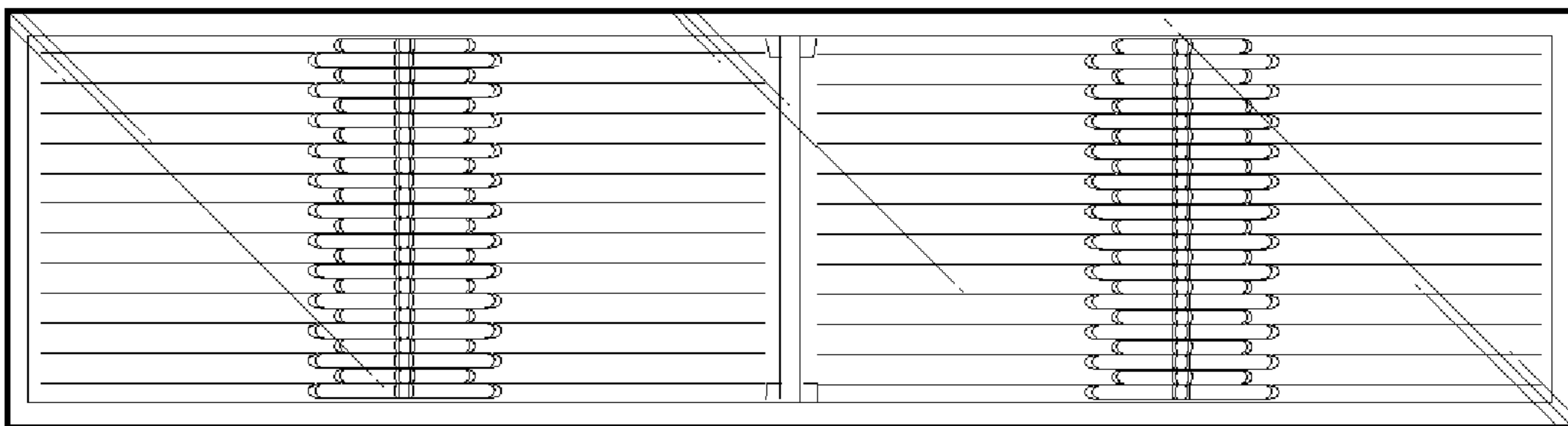


FIG. 78

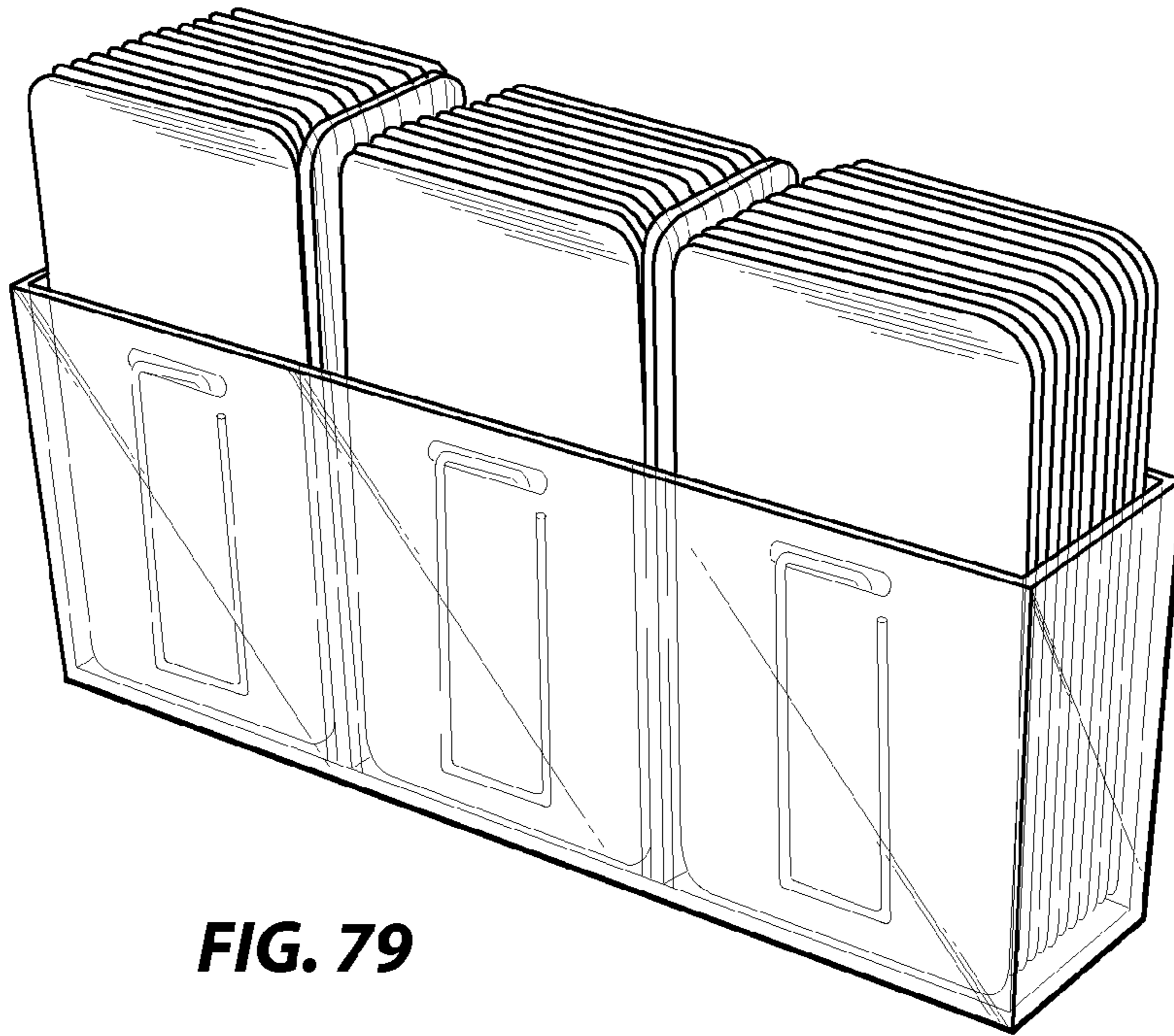


FIG. 79

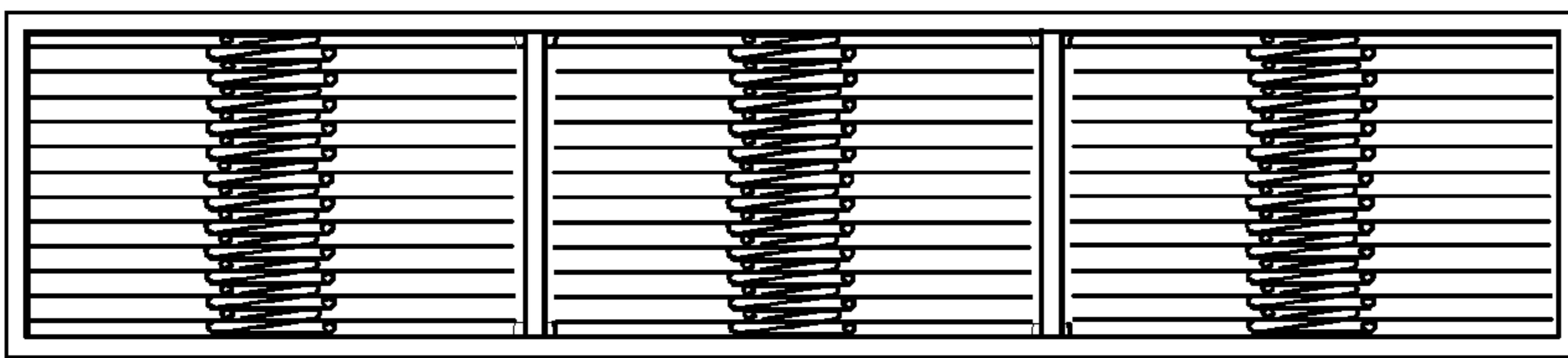


FIG. 80

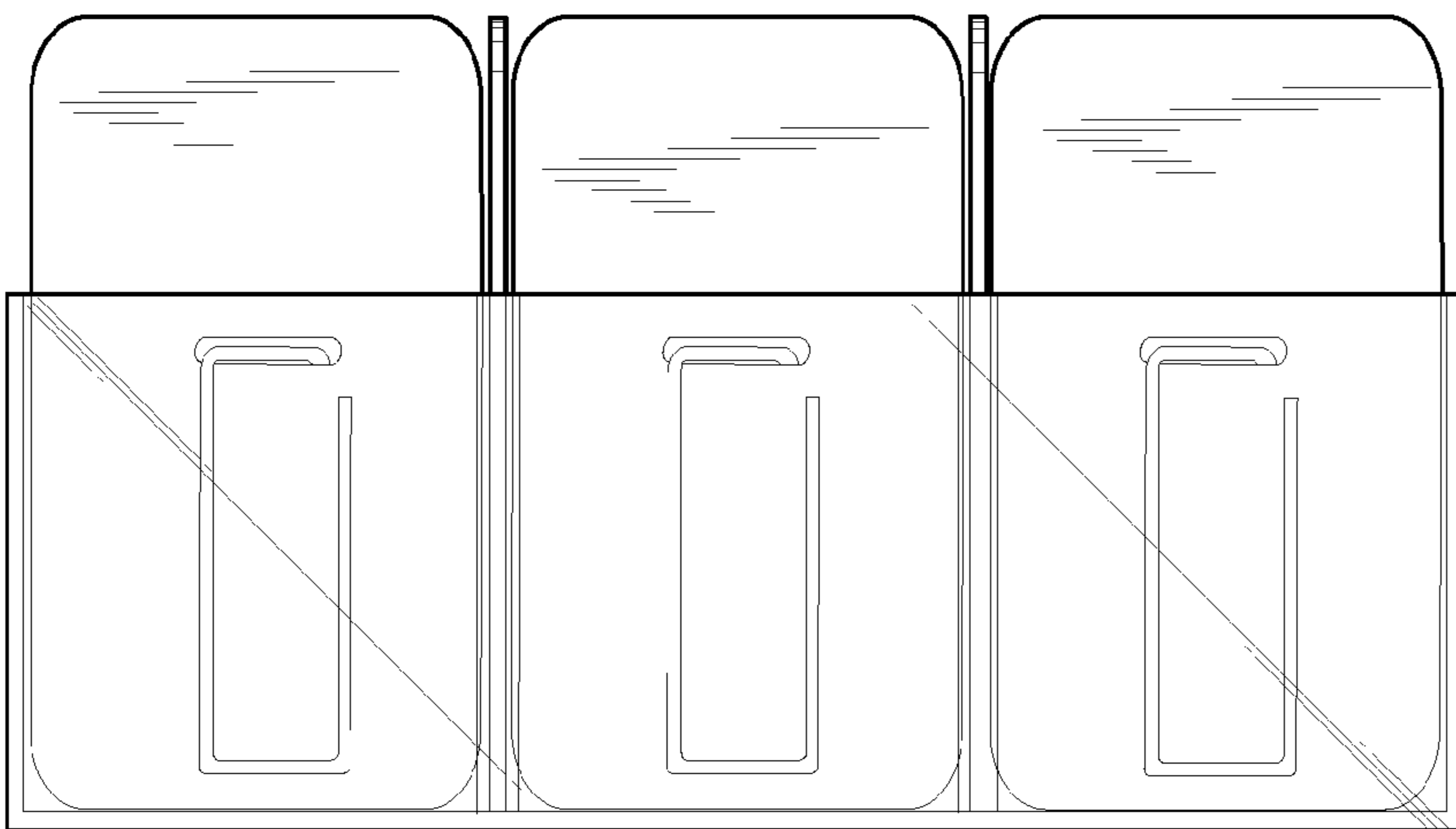


FIG. 81

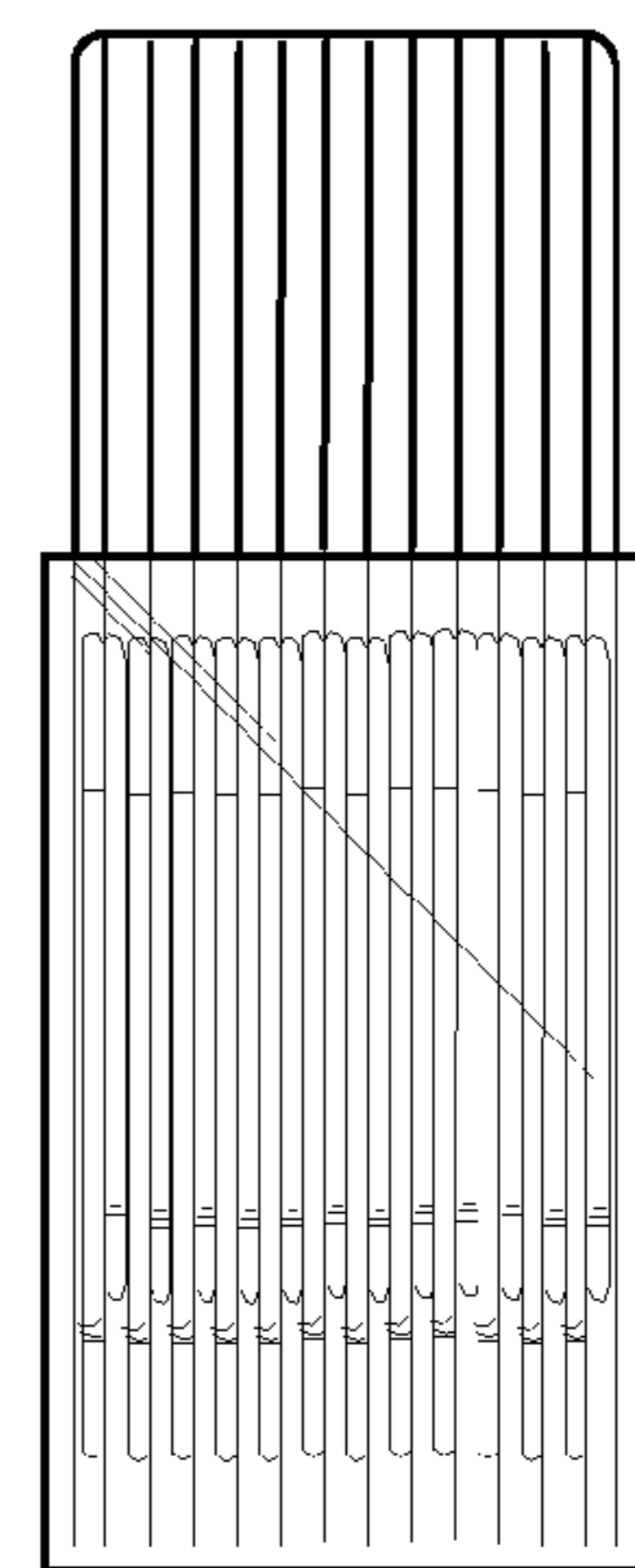


FIG. 82

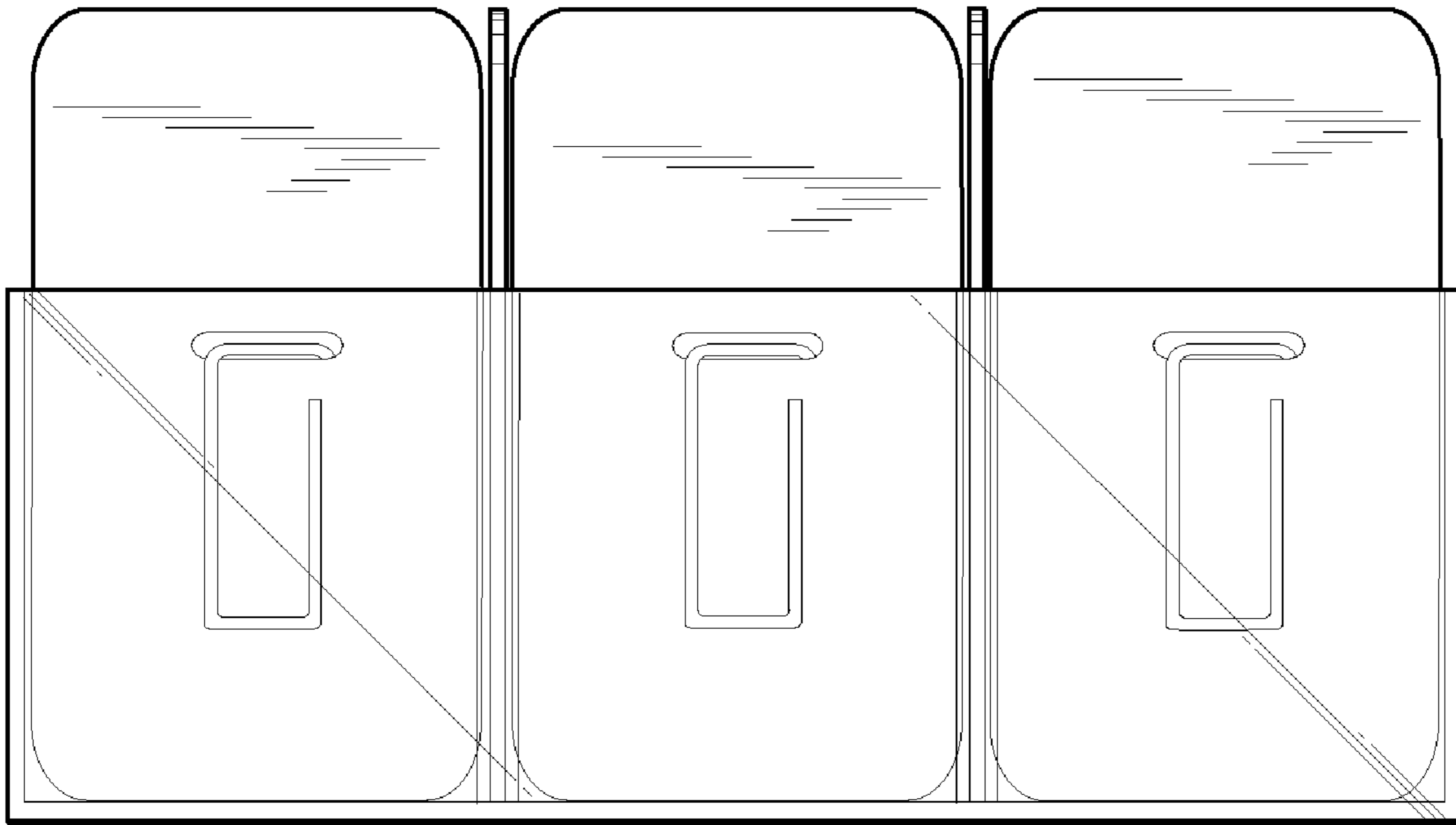


FIG. 83

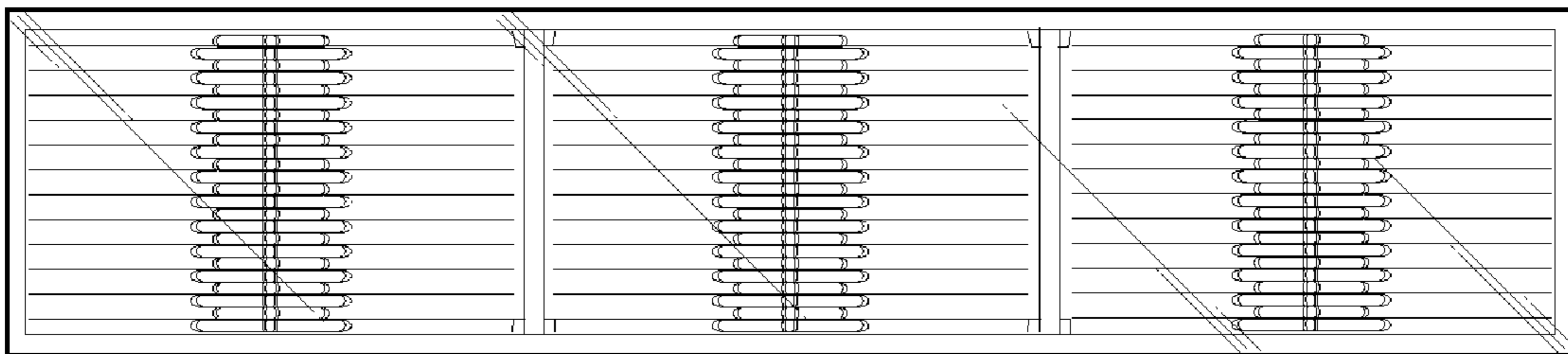


FIG. 84

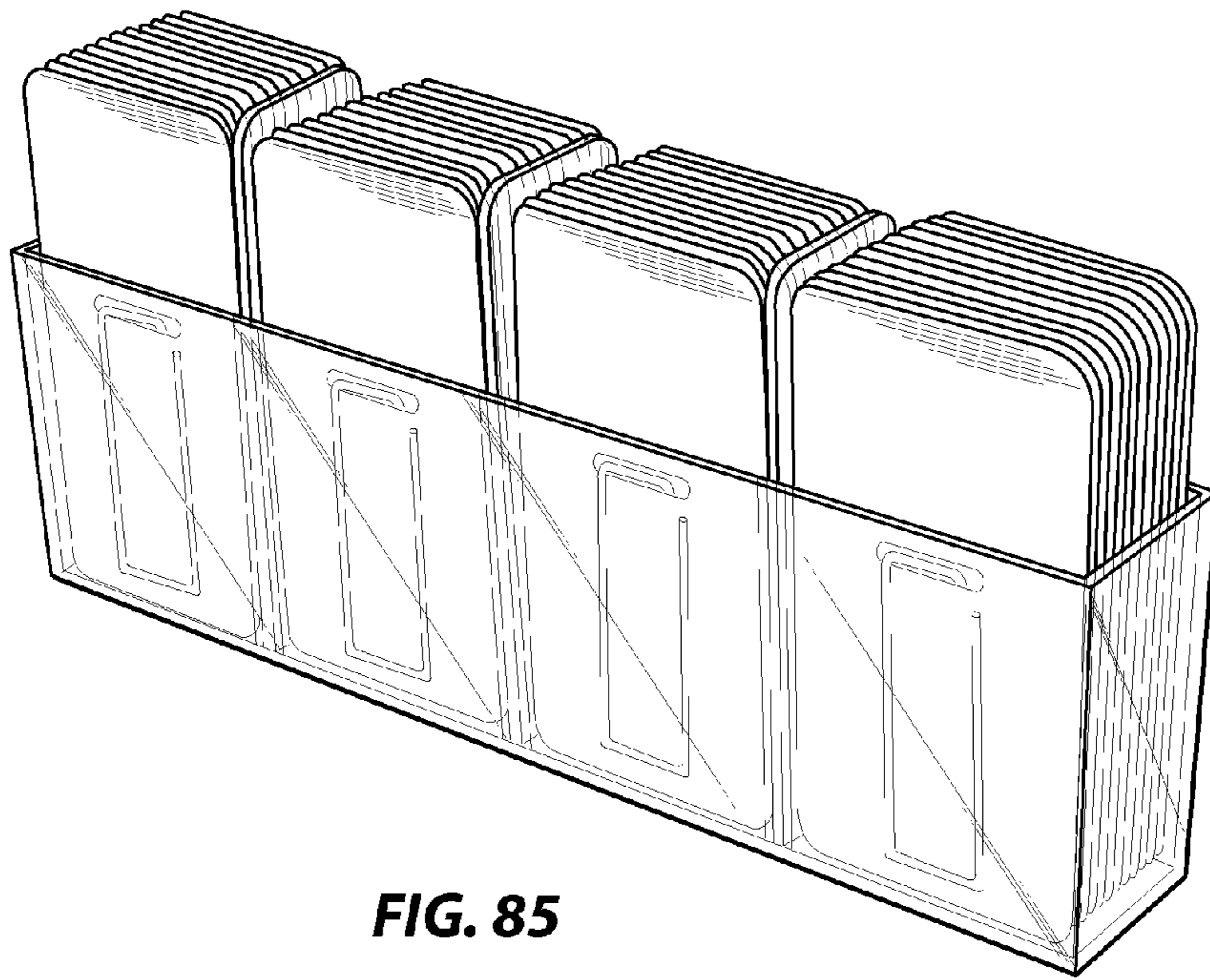


FIG. 85

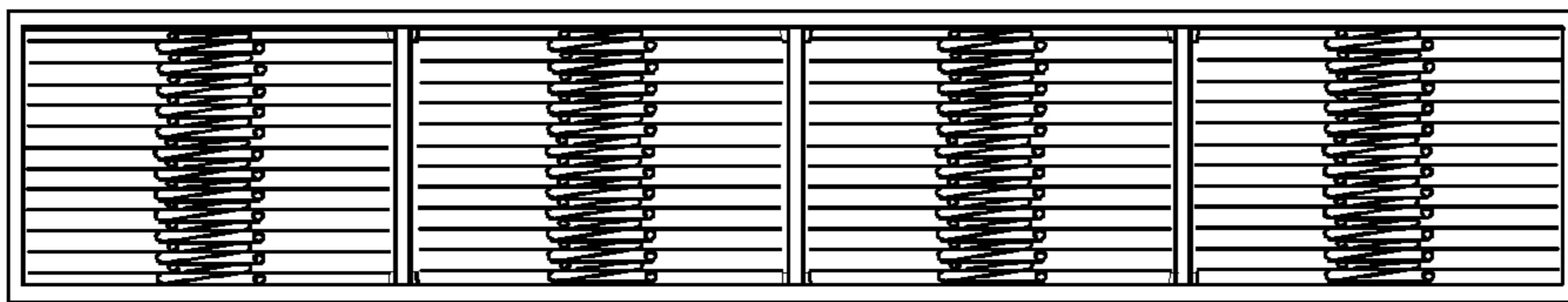


FIG. 86

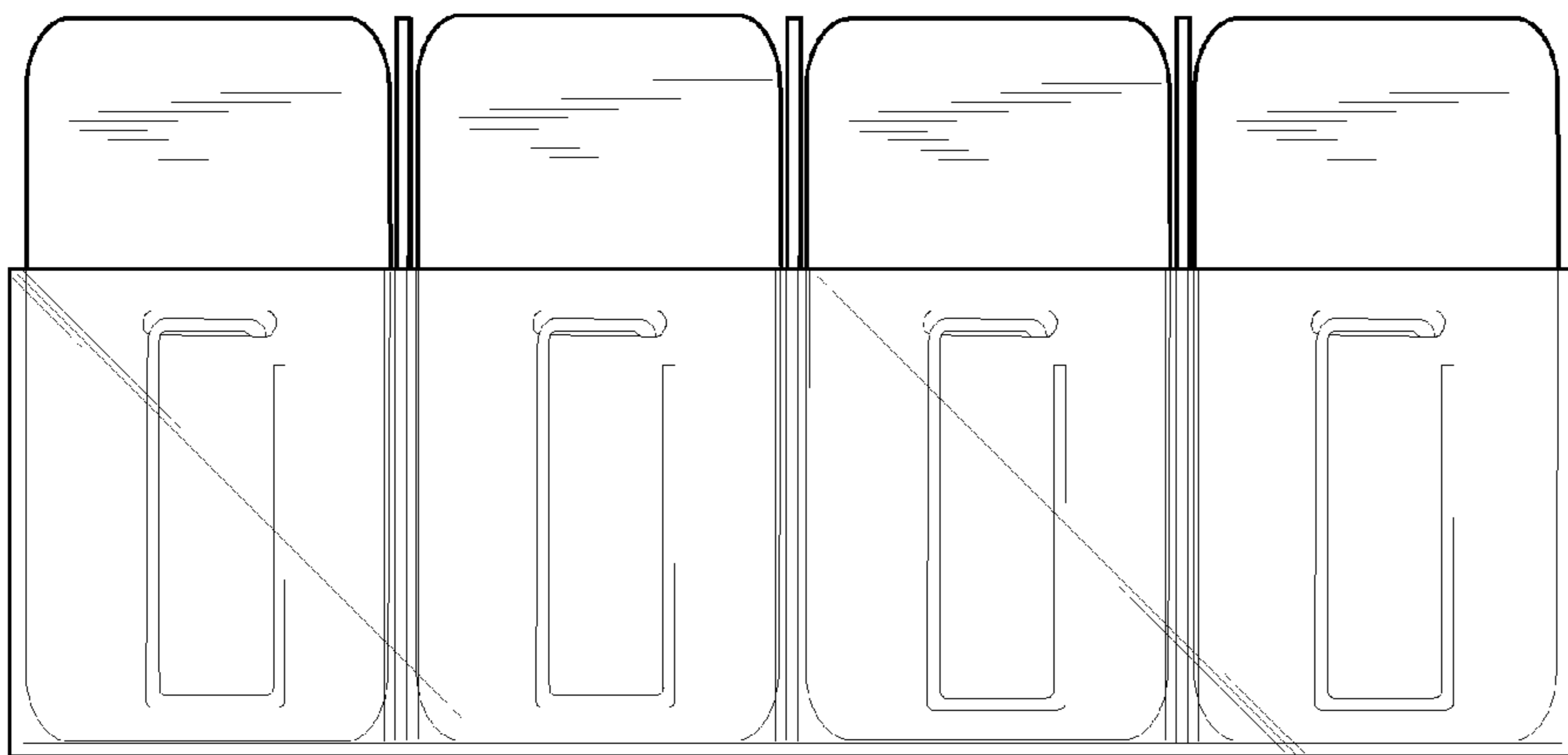


FIG. 87

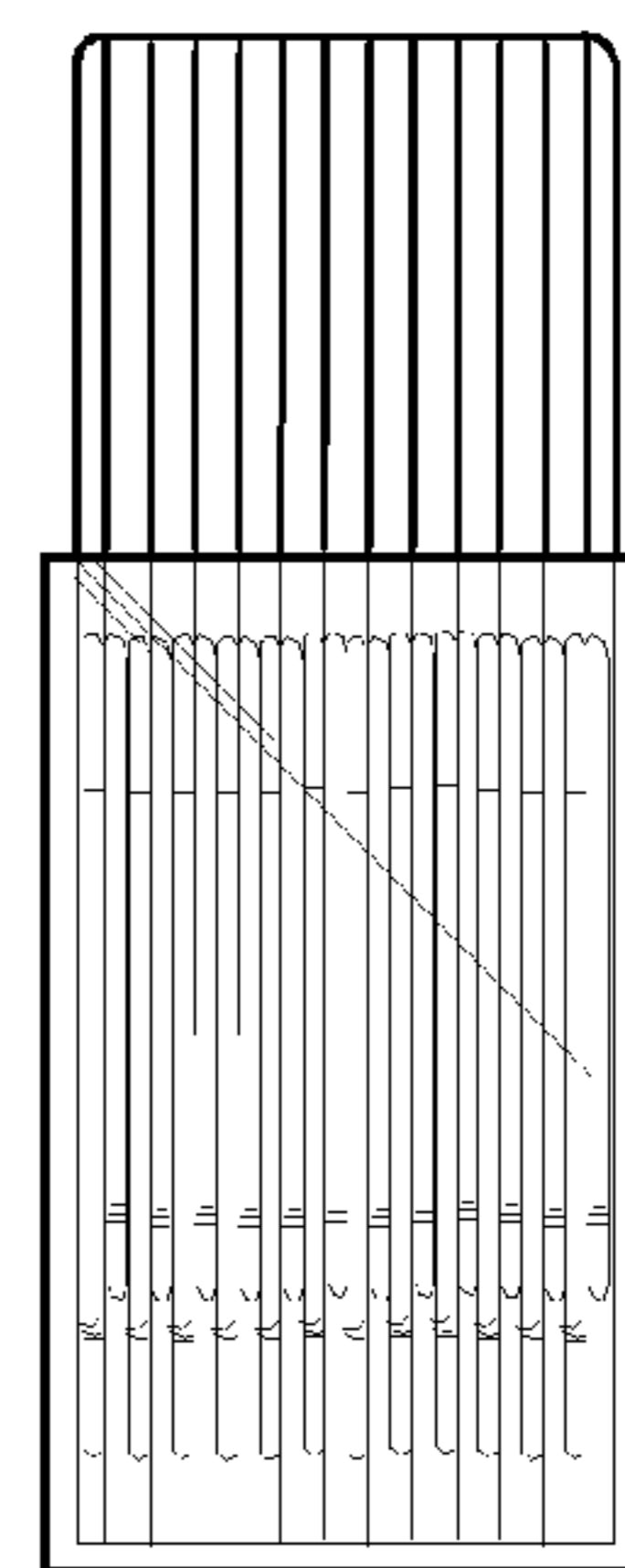


FIG. 88

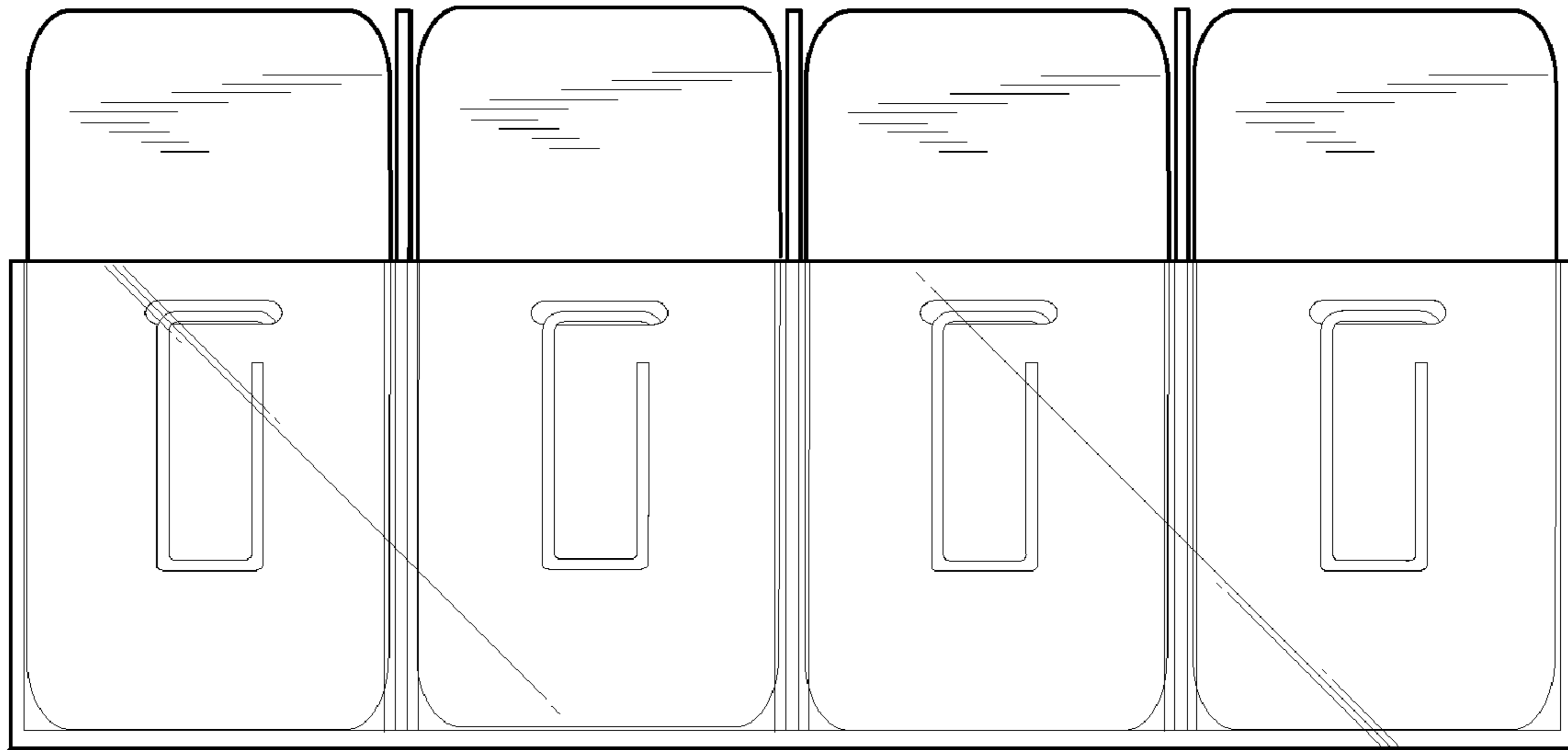


FIG. 89

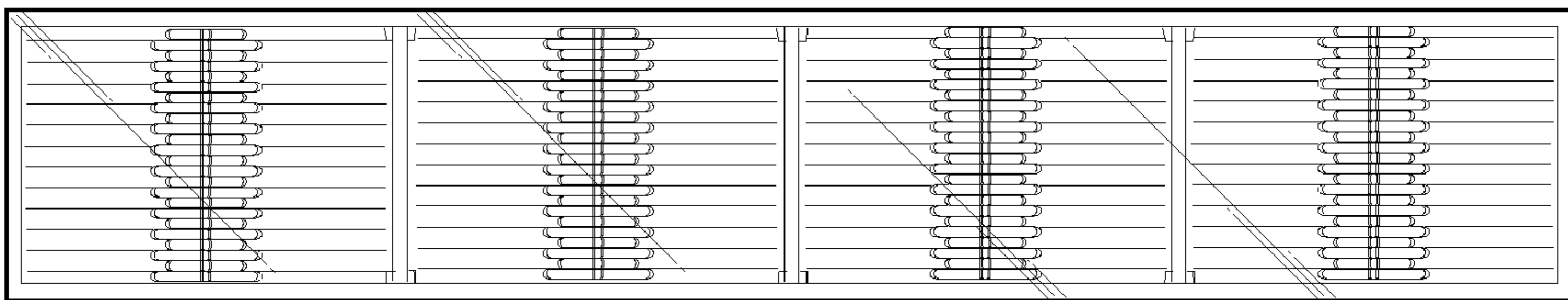


FIG. 90

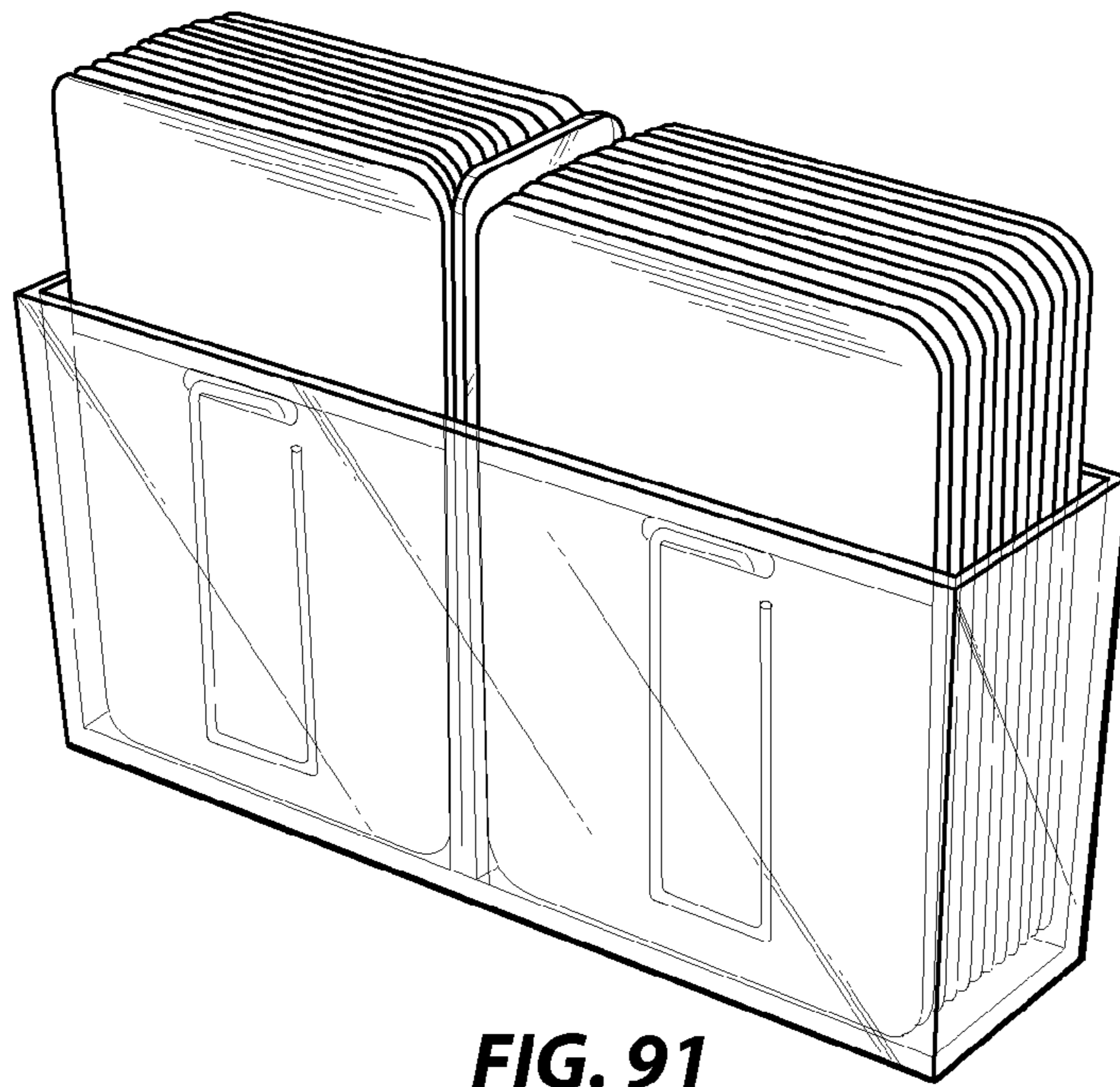


FIG. 91

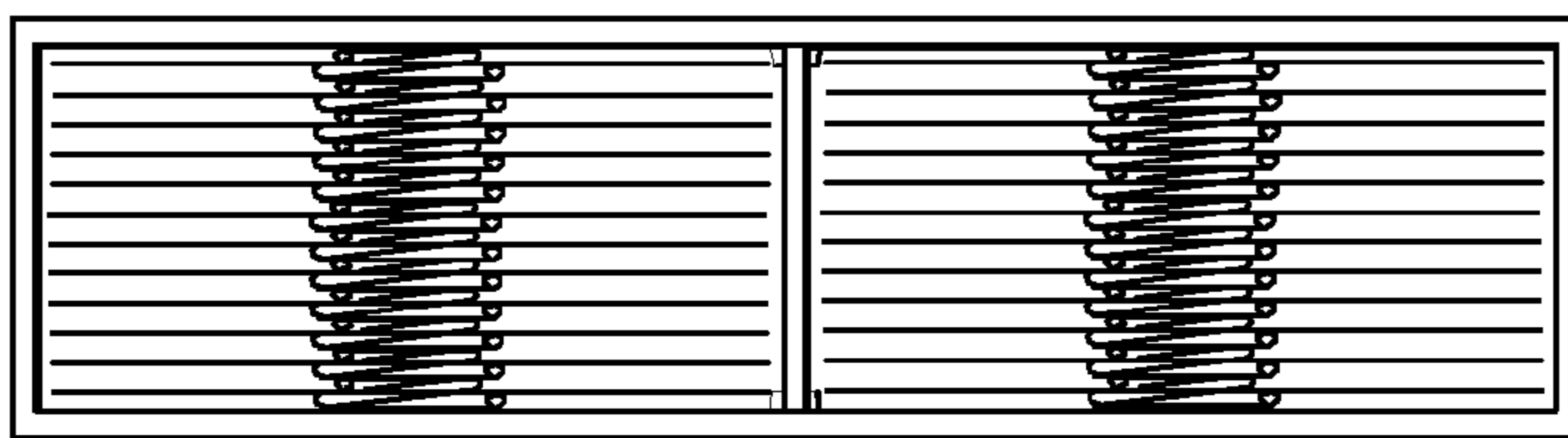


FIG. 92

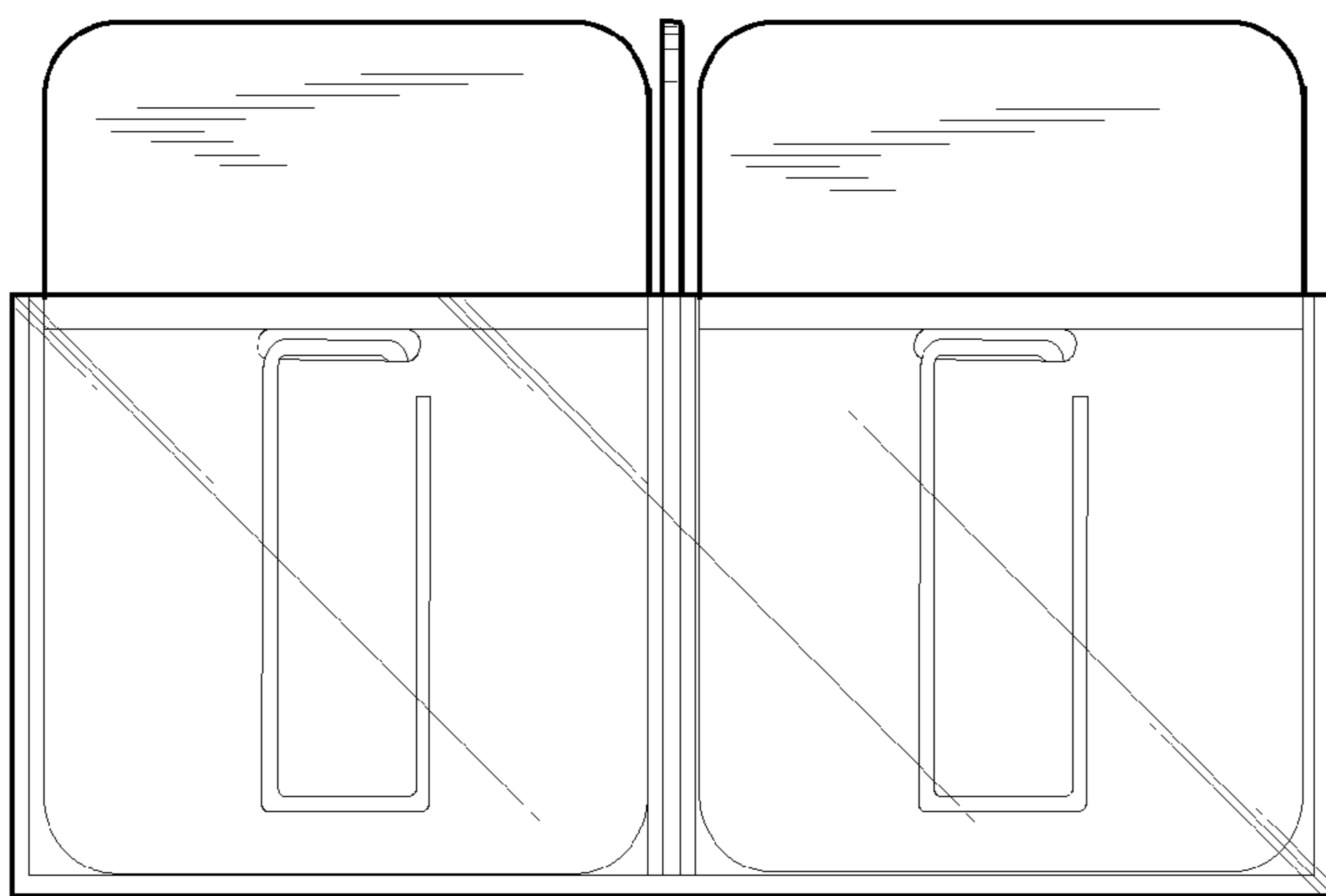


FIG. 93

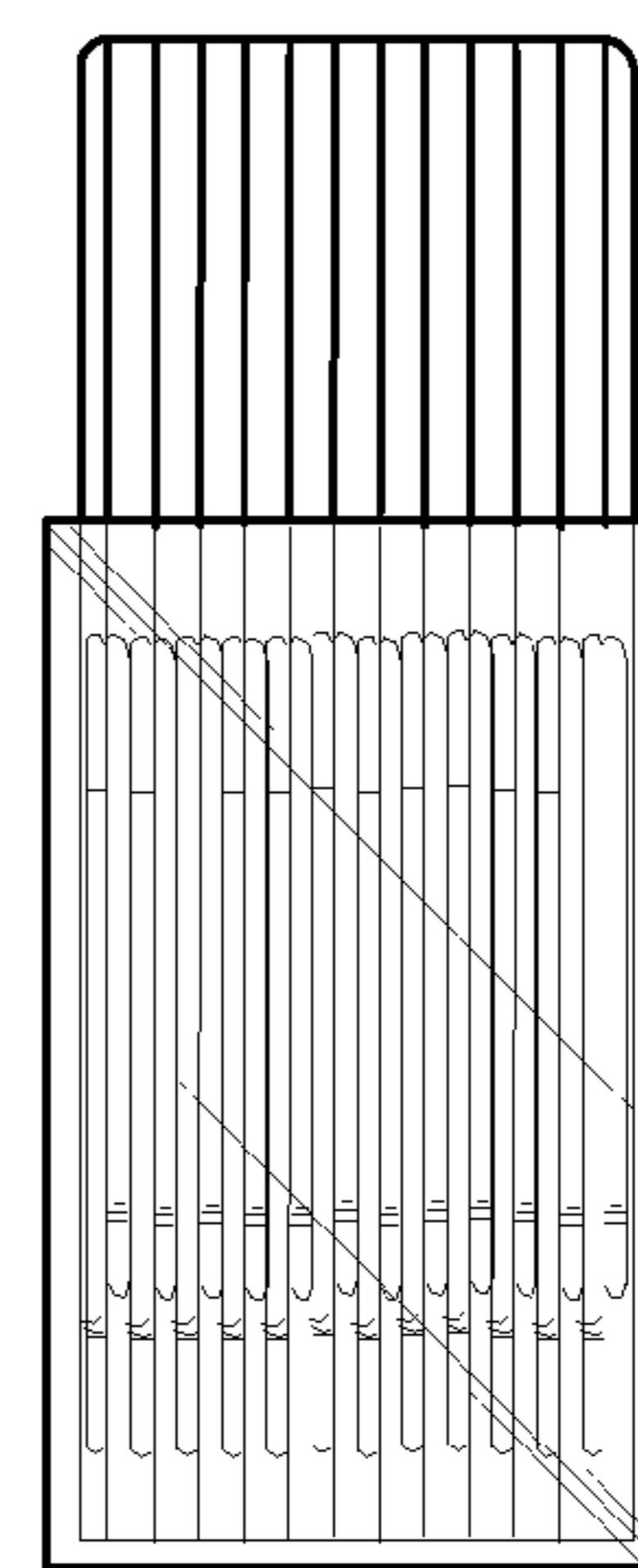


FIG. 94

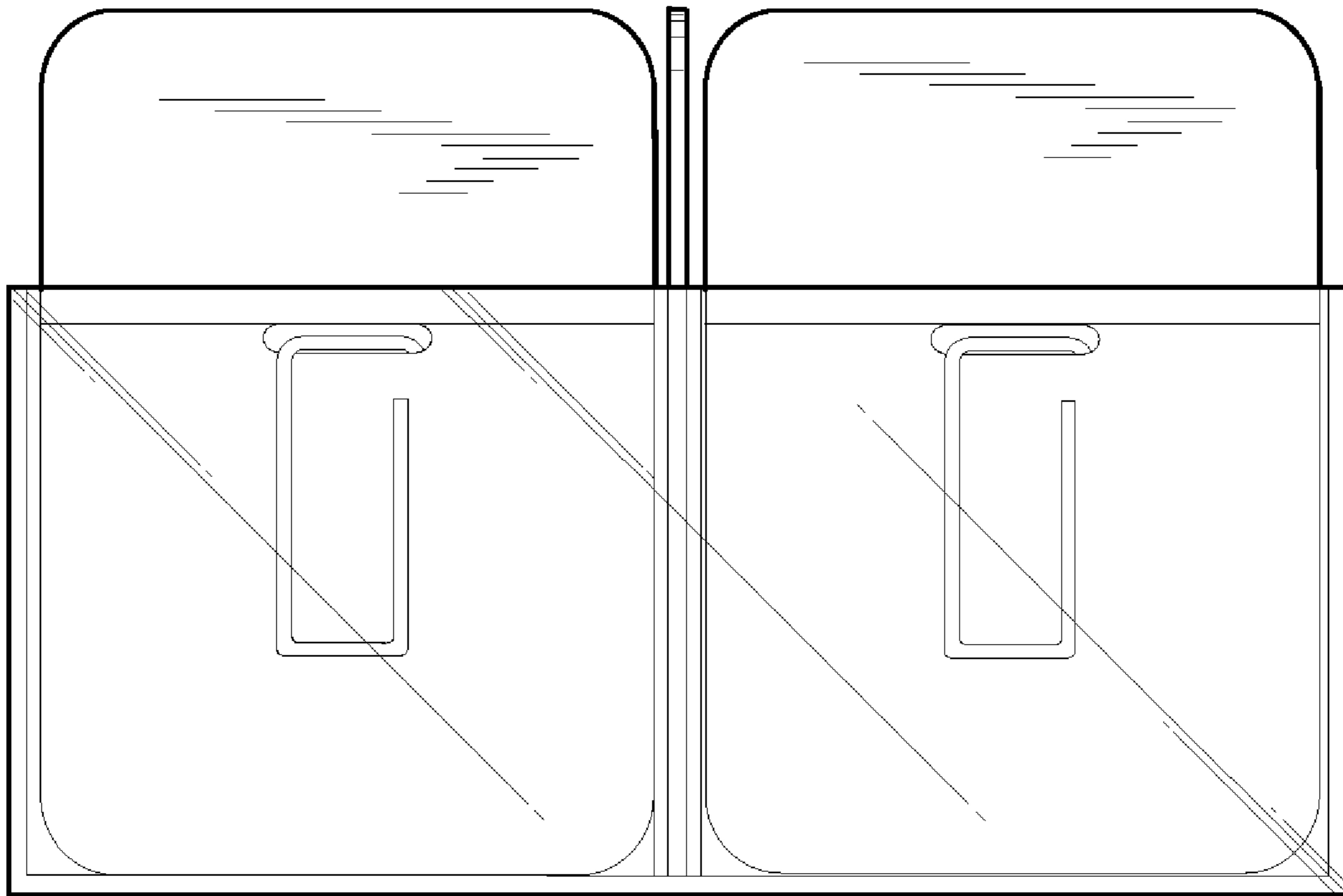


FIG. 95

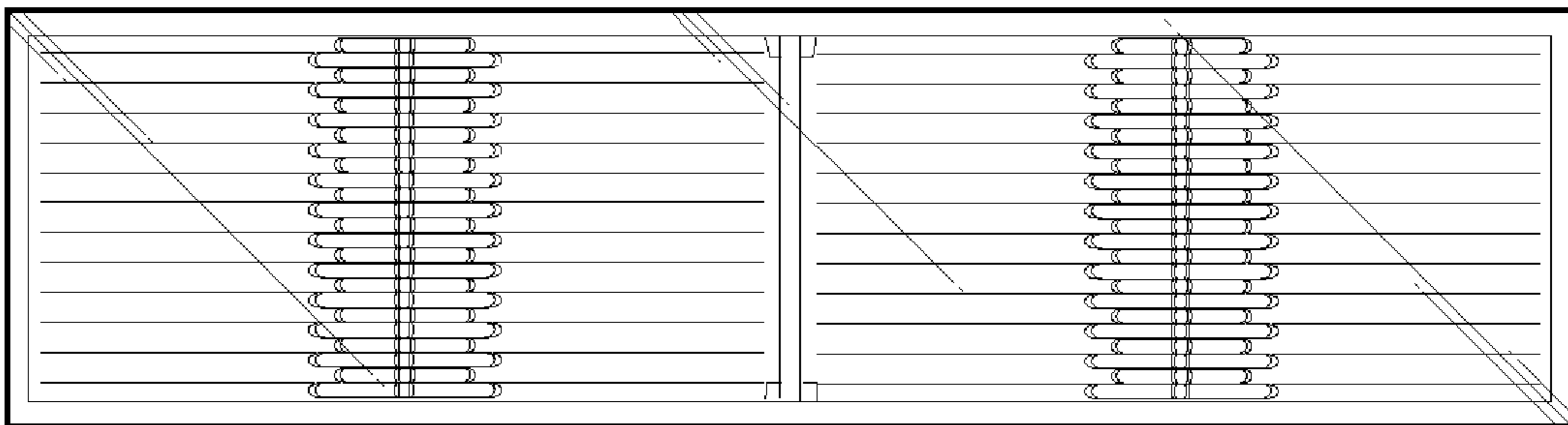


FIG. 96

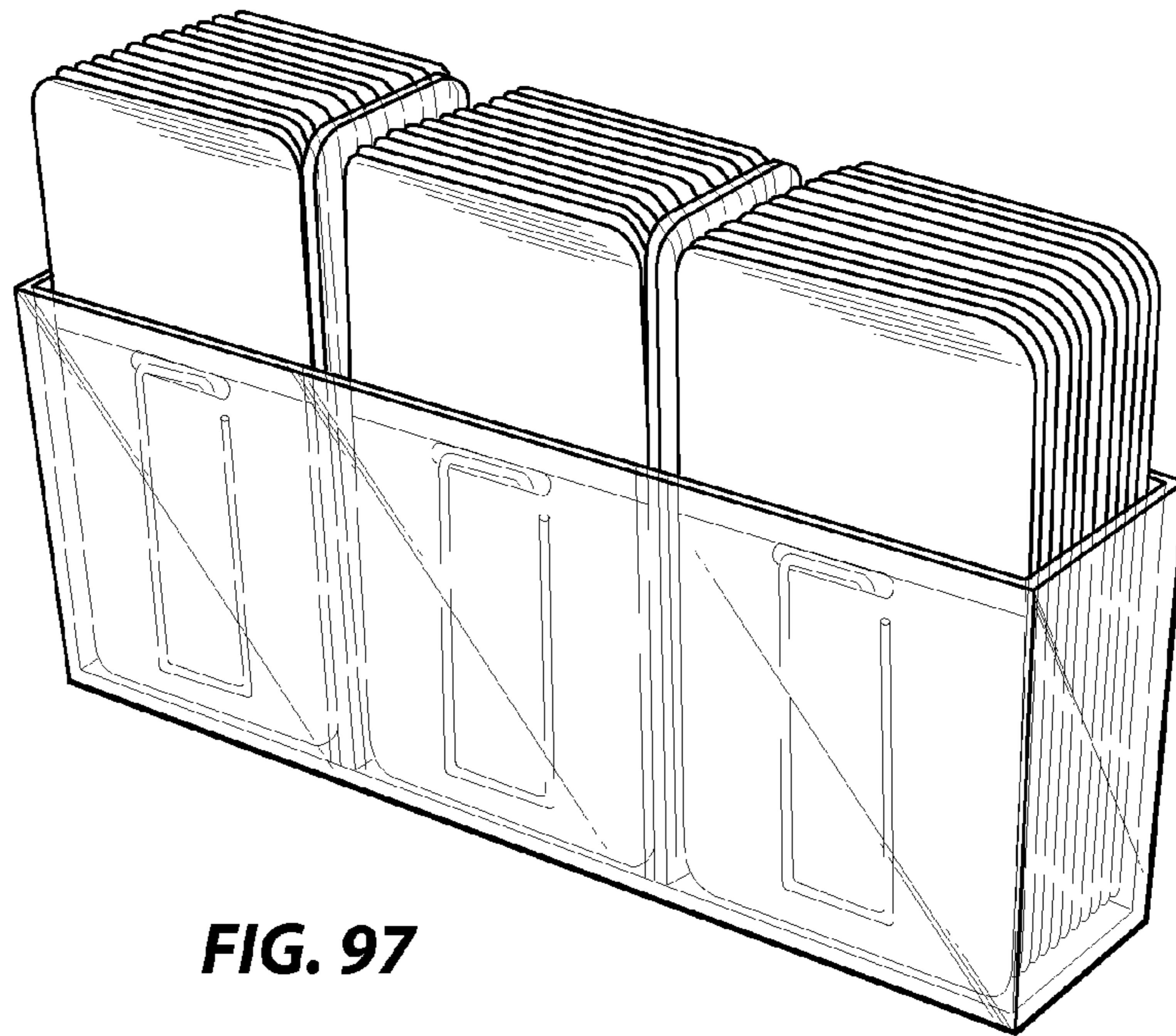


FIG. 97

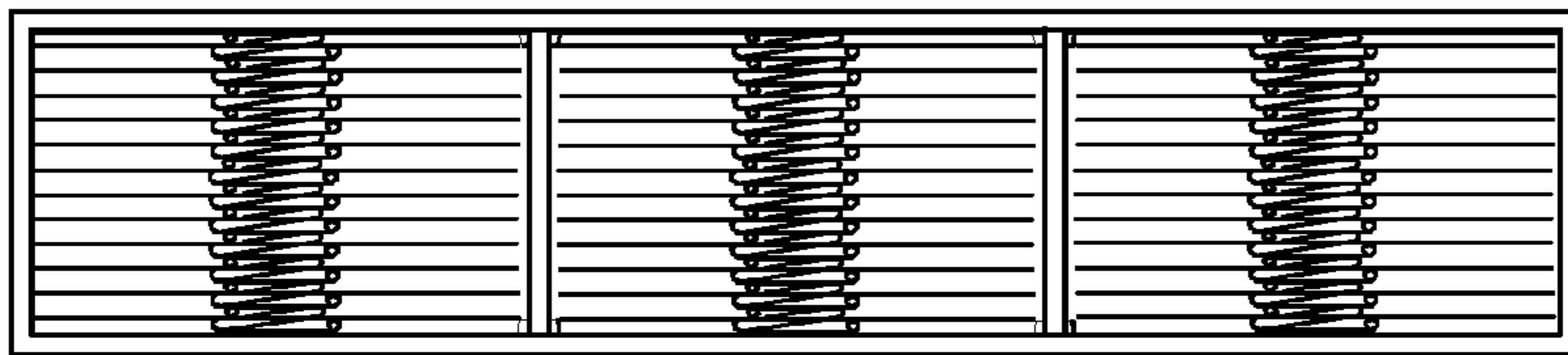


FIG. 98

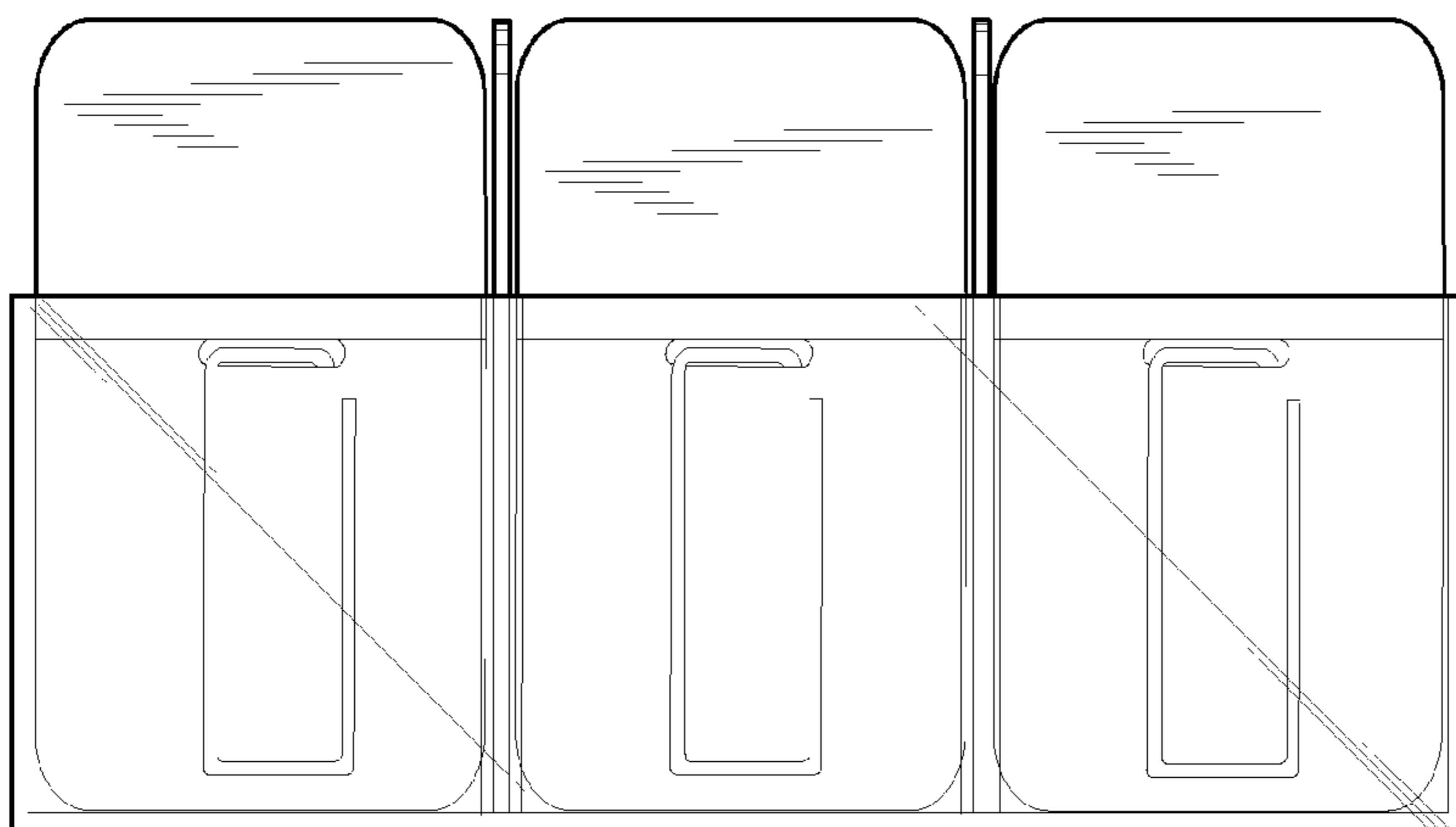


FIG. 99

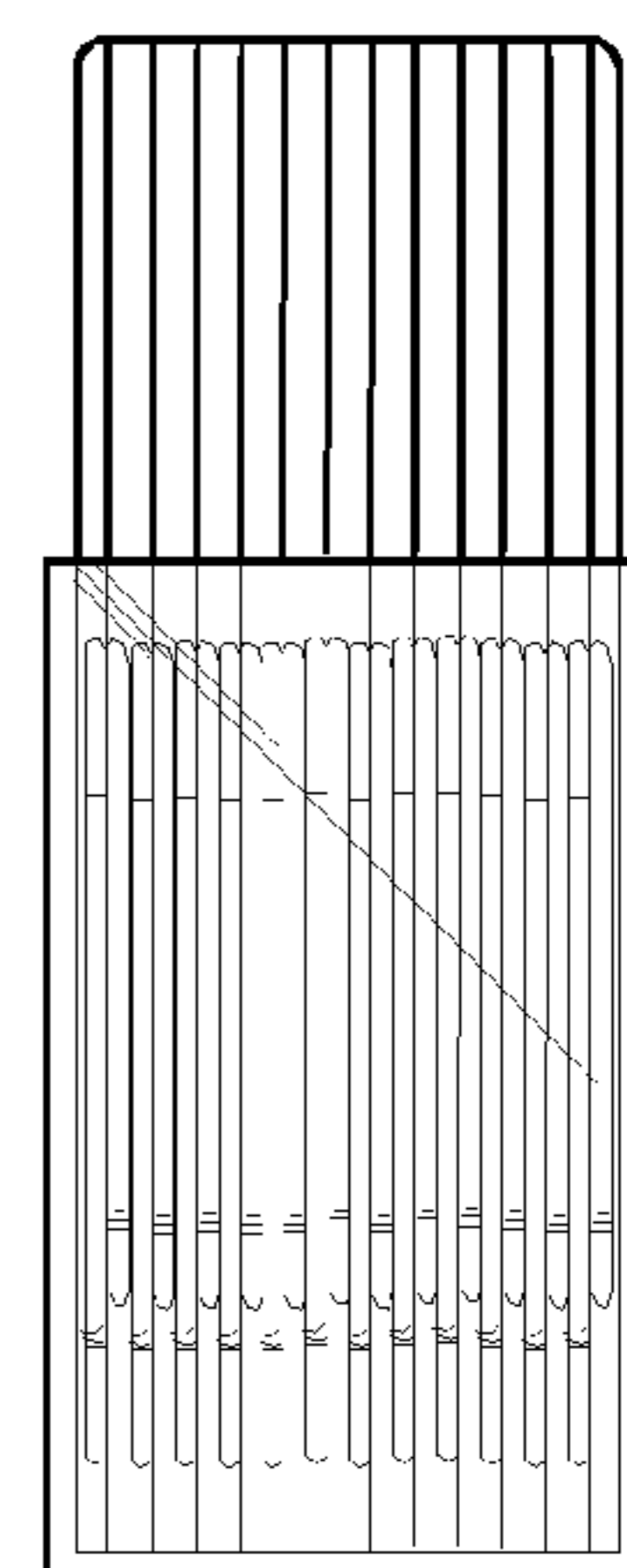


FIG. 100

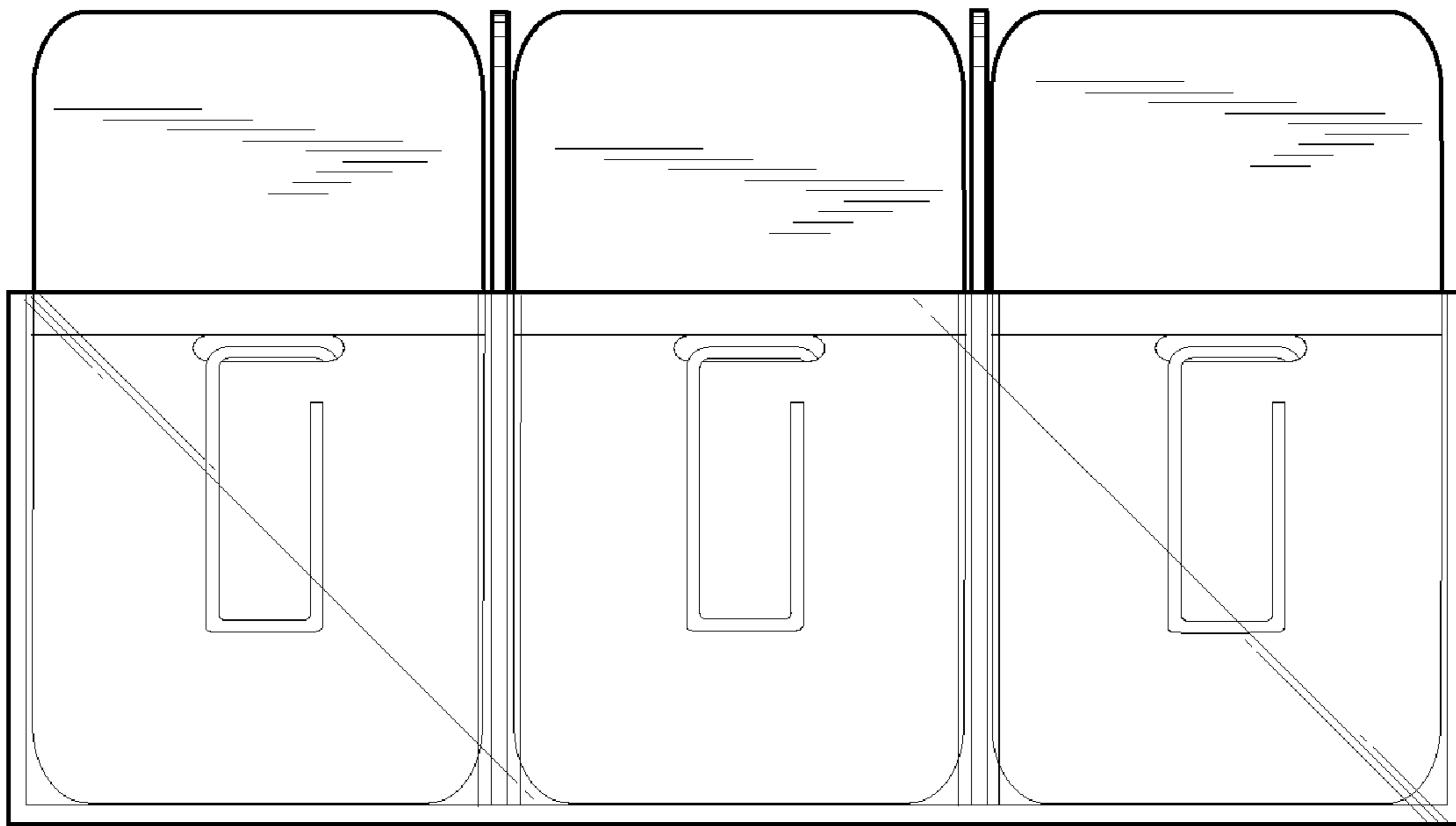


FIG. 101

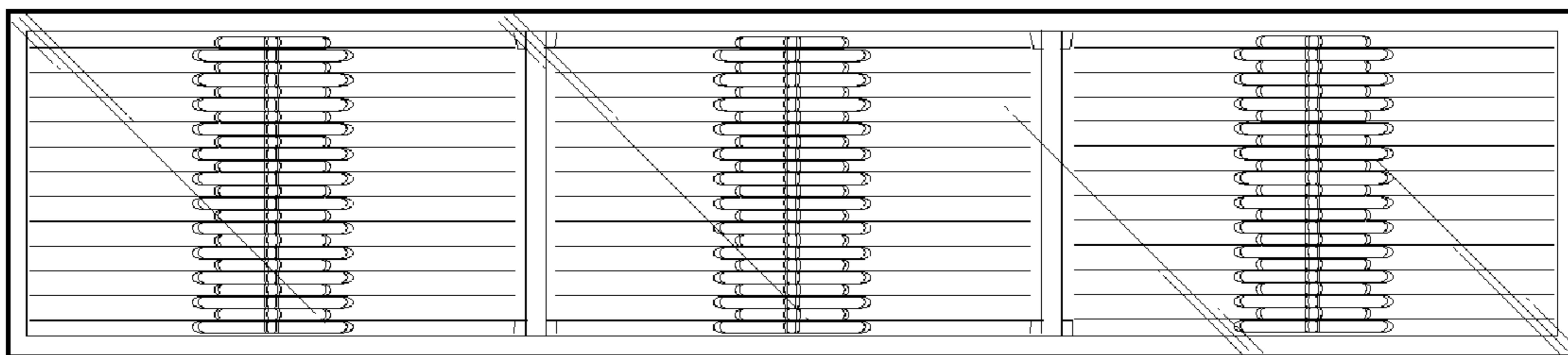


FIG. 102

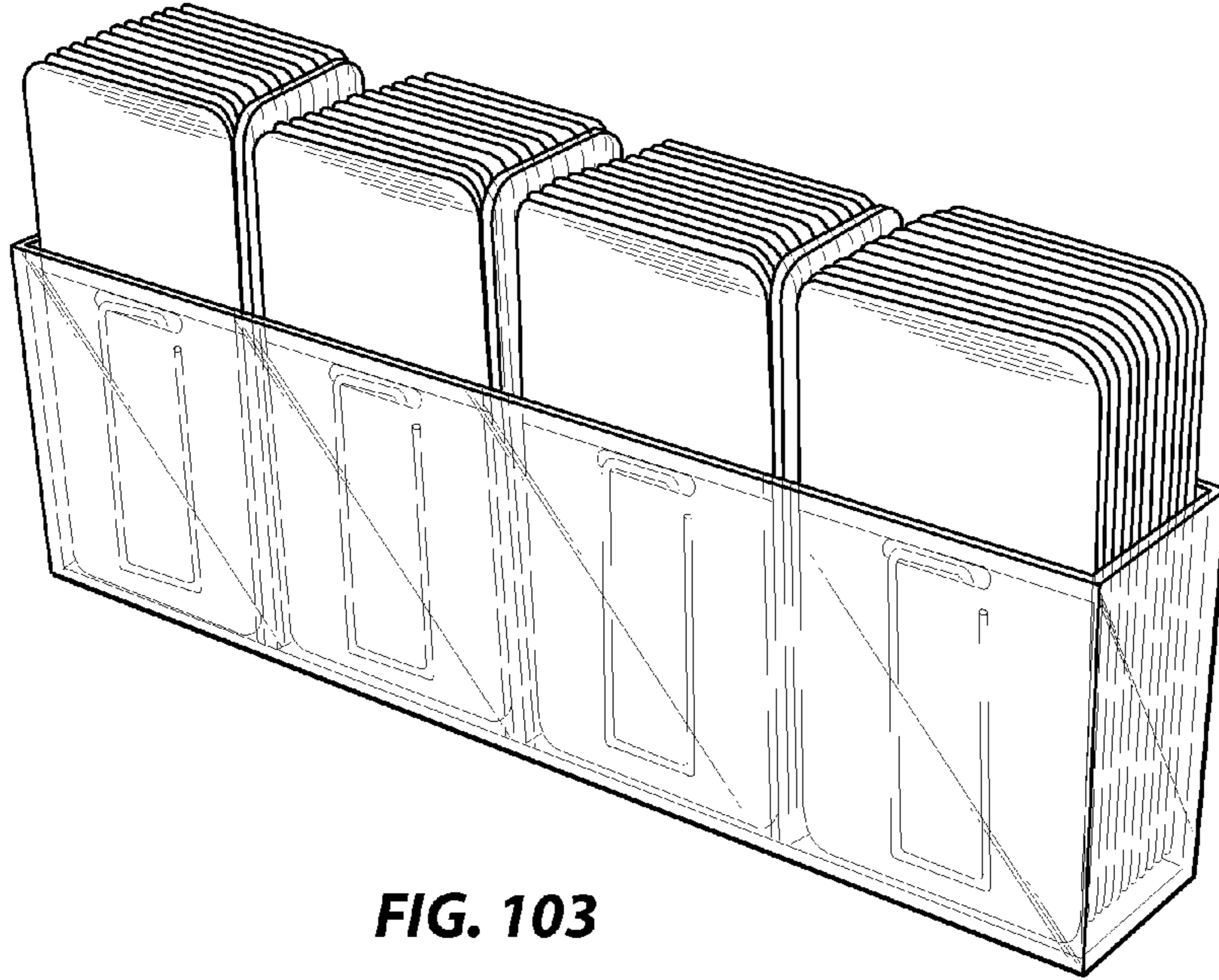


FIG. 103

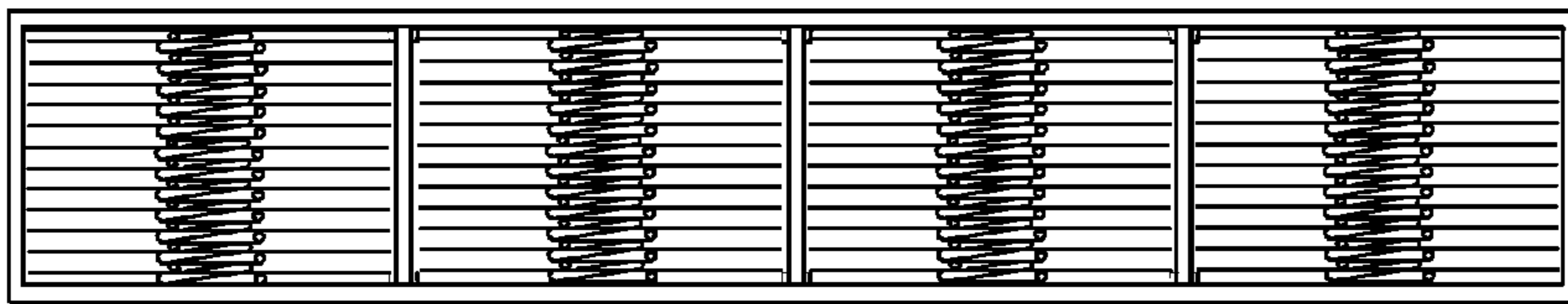


FIG. 104

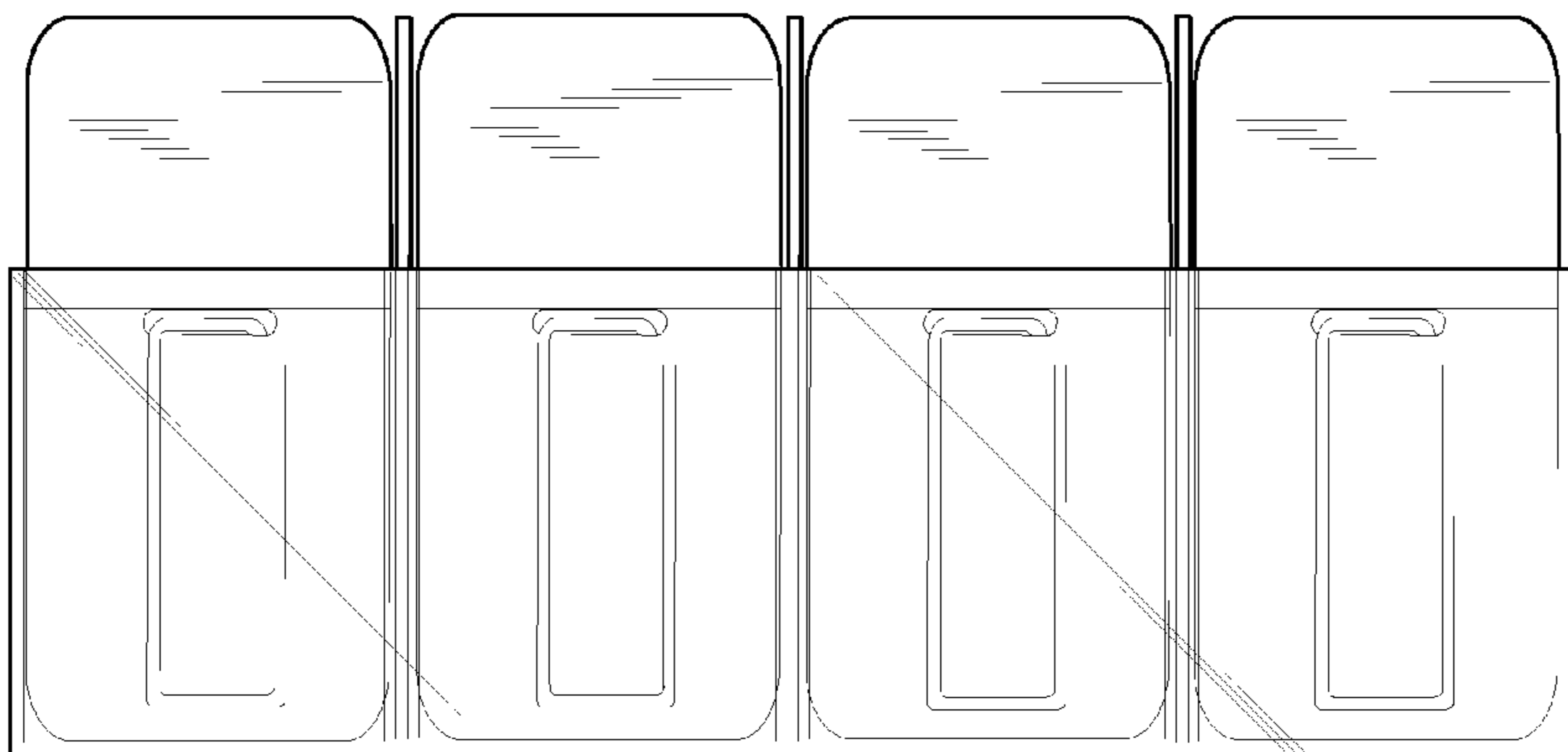


FIG. 105

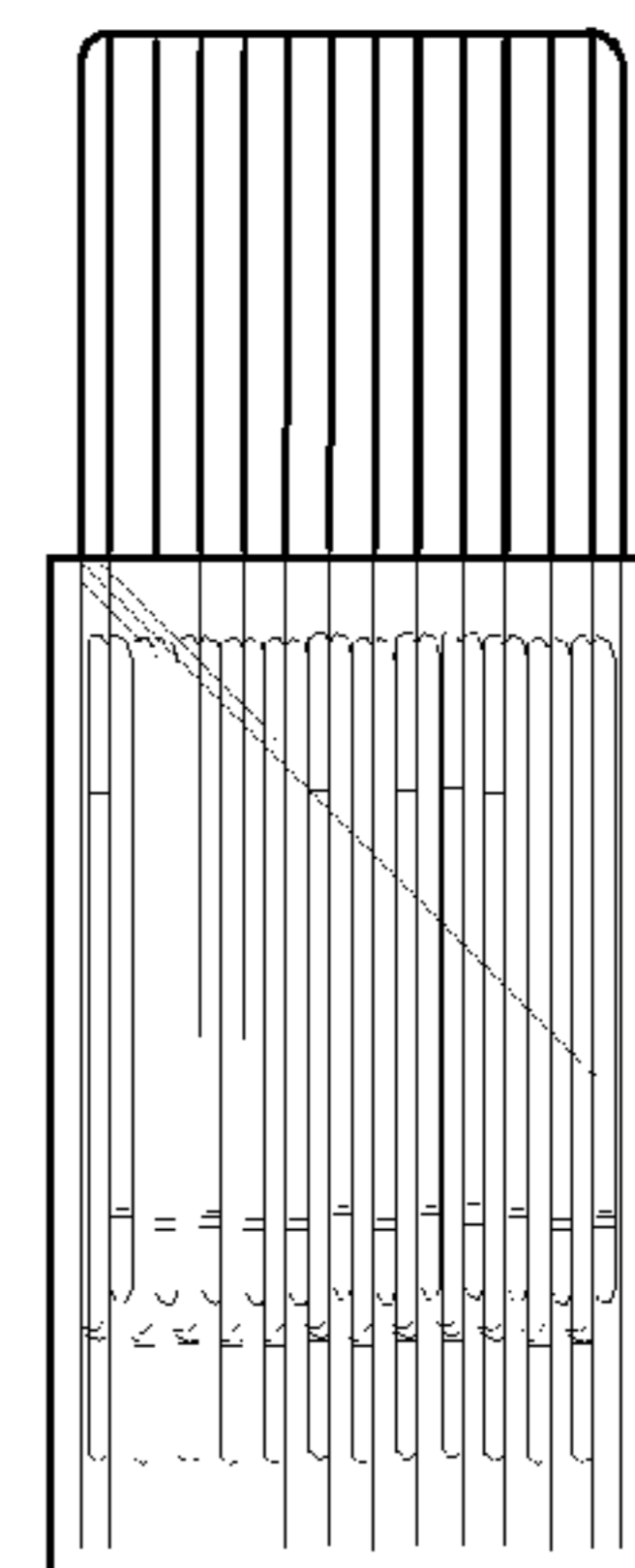


FIG. 106

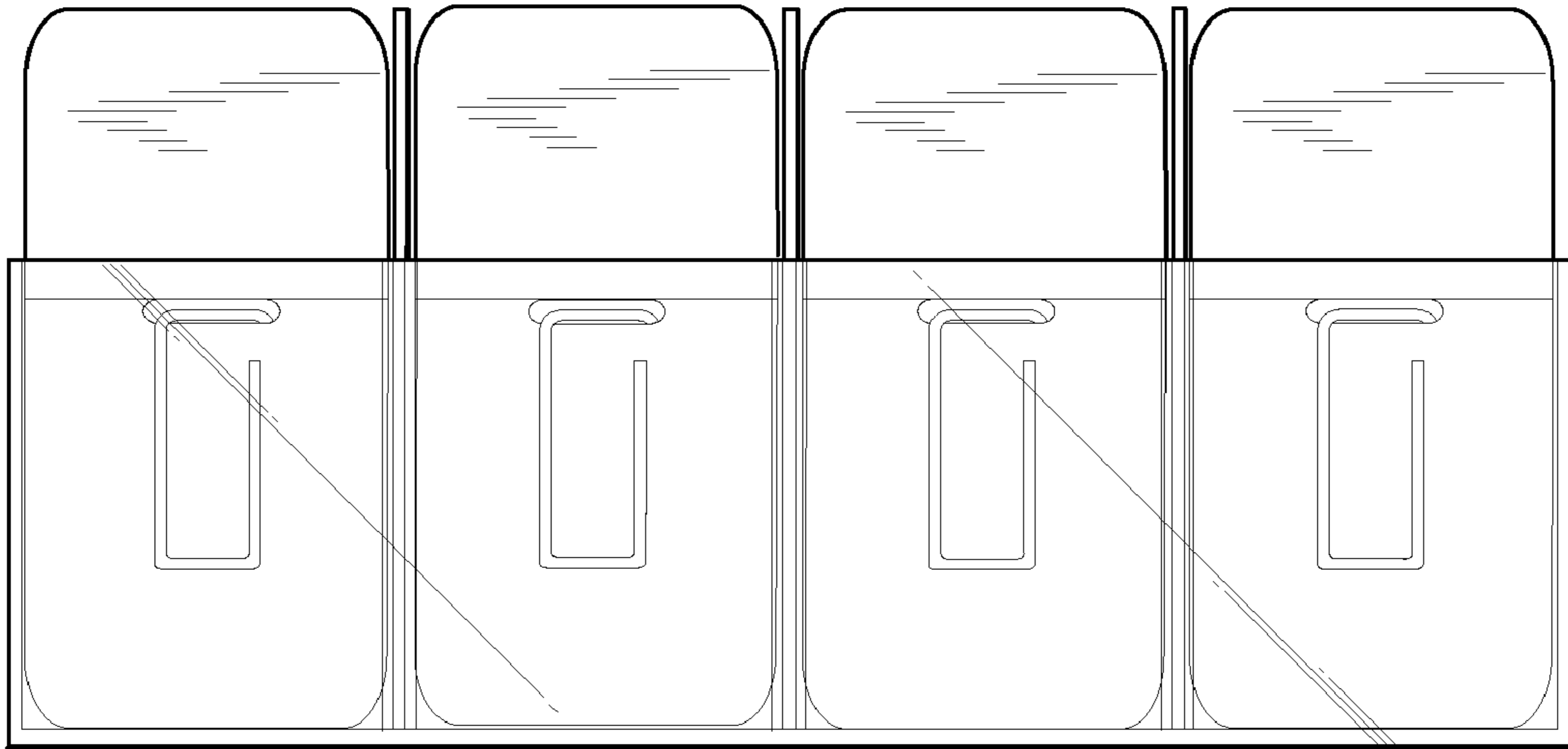


FIG. 107

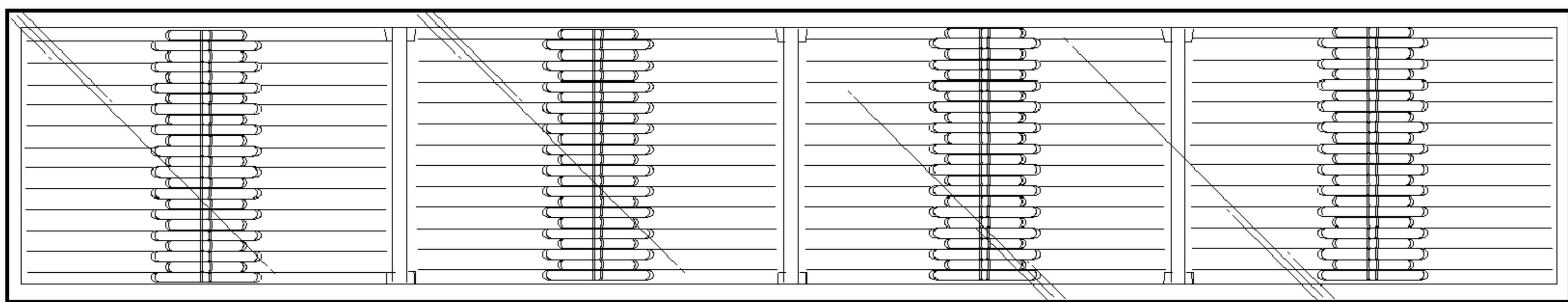


FIG. 108

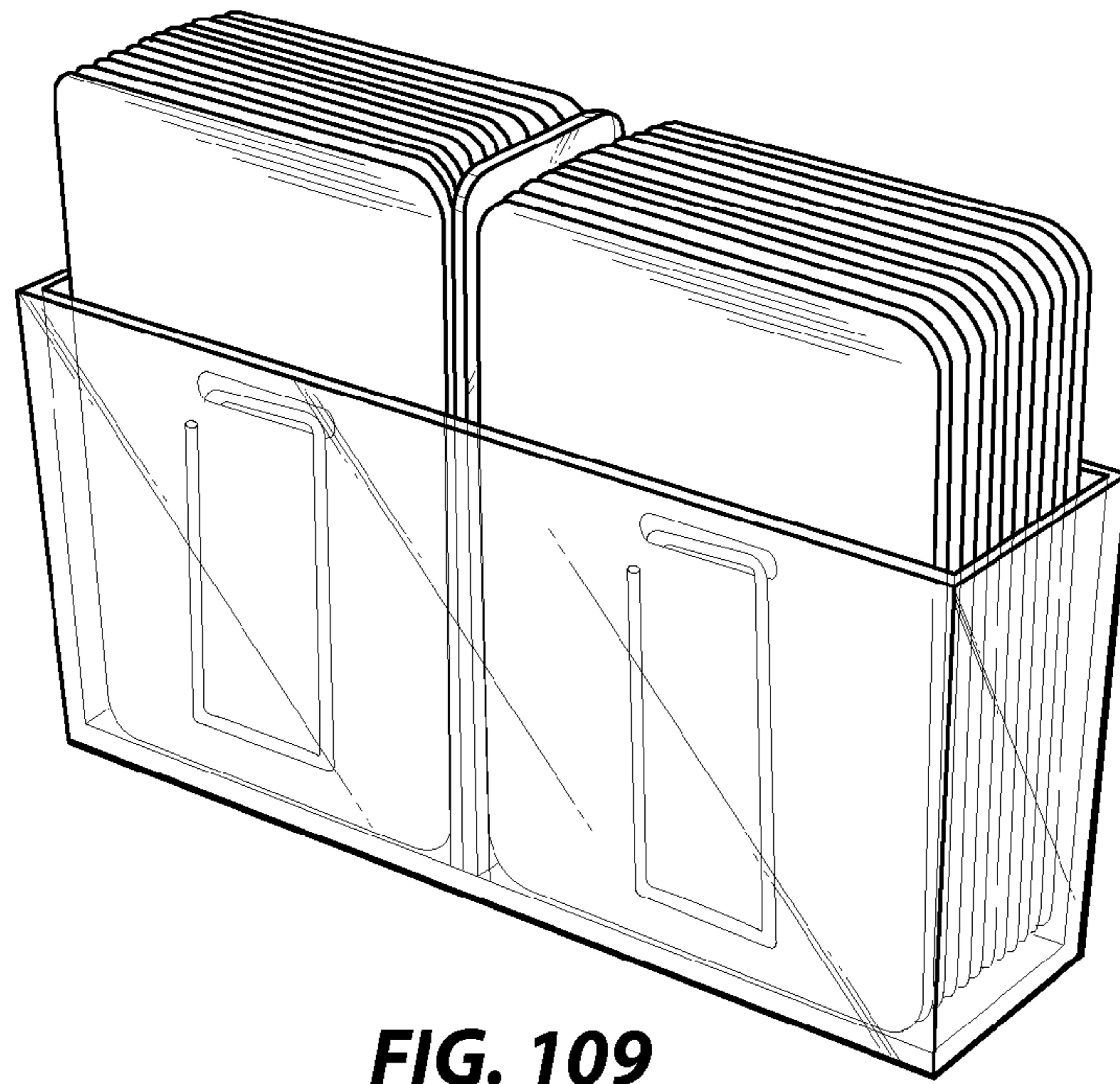


FIG. 109

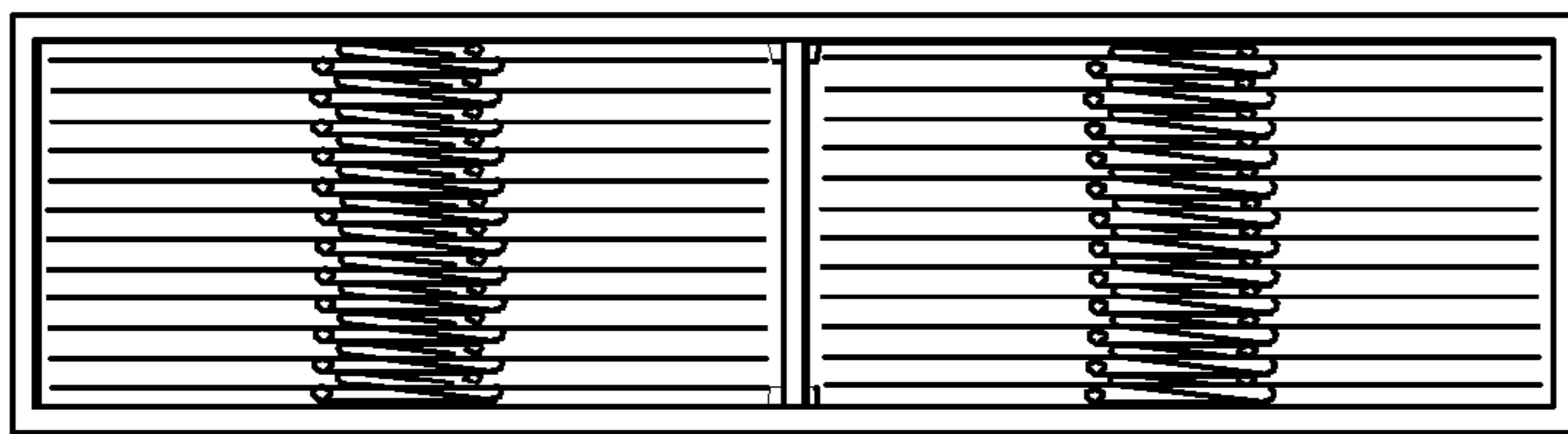


FIG. 110

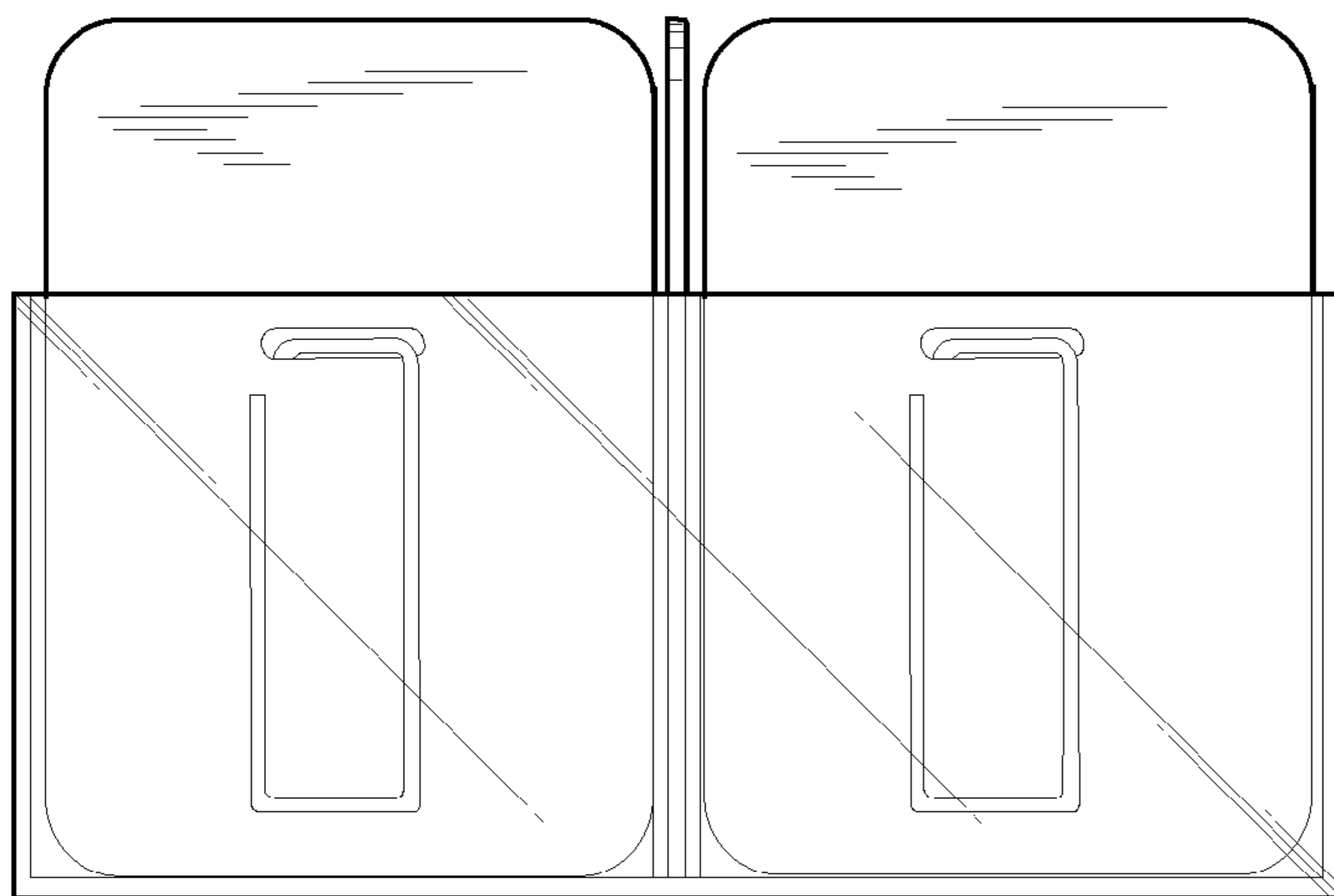


FIG. 111

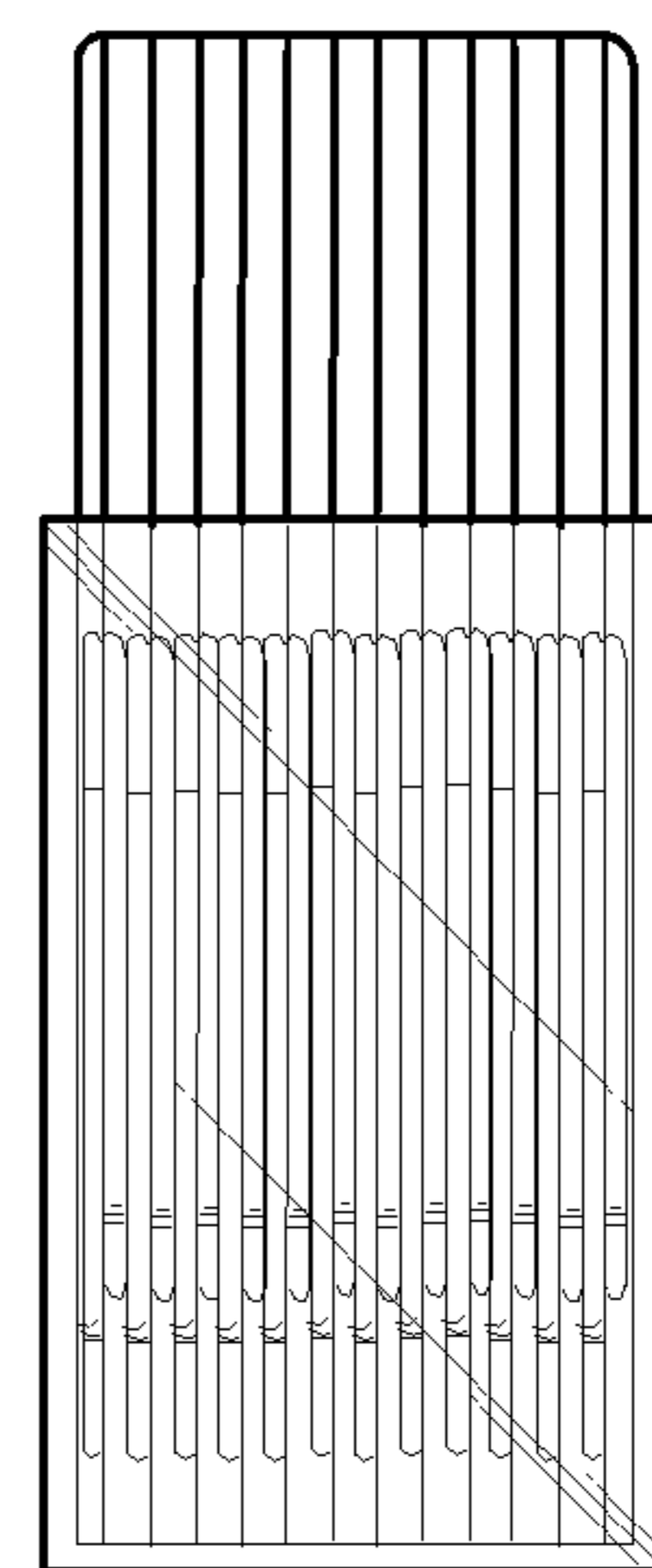


FIG. 112

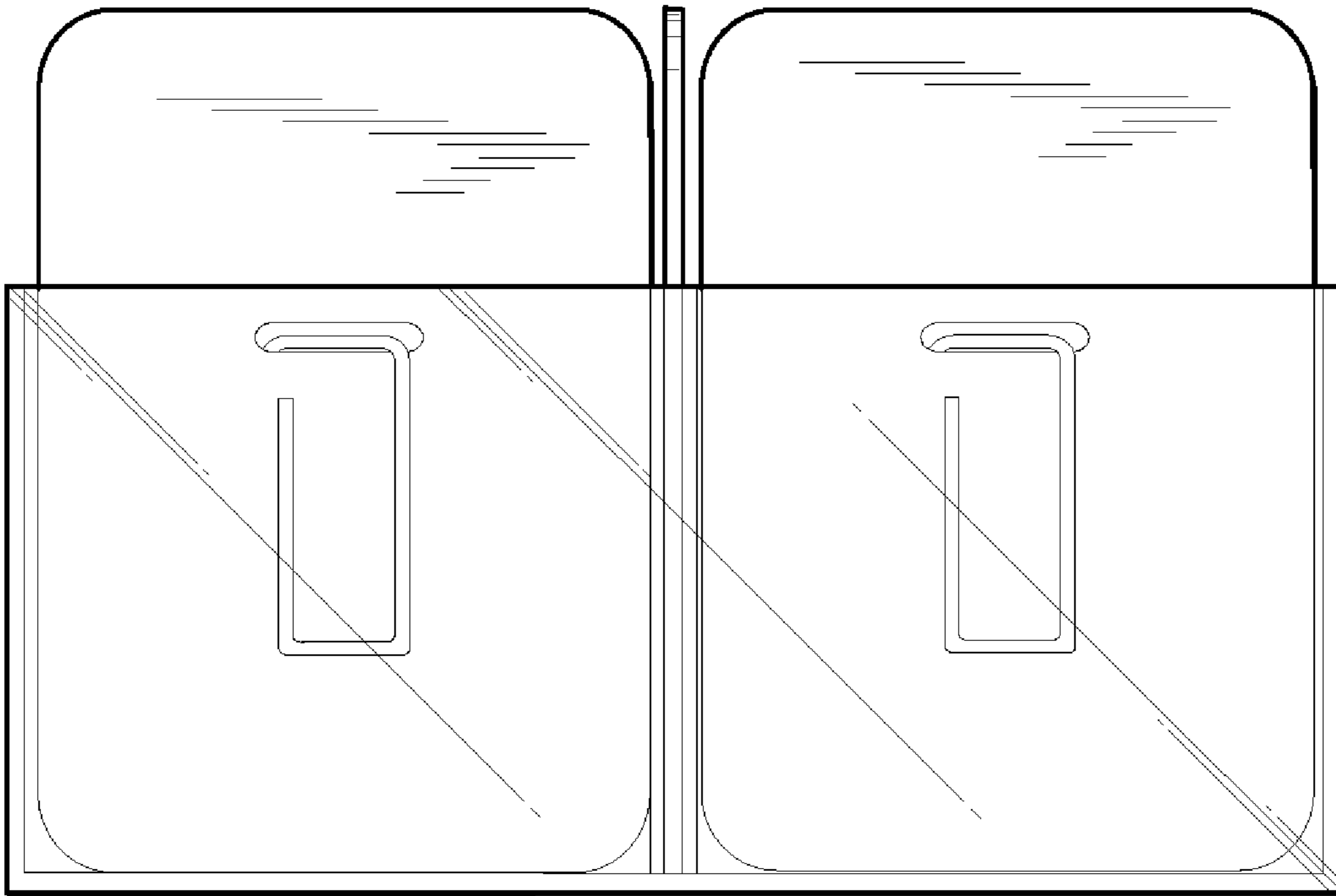


FIG. 113

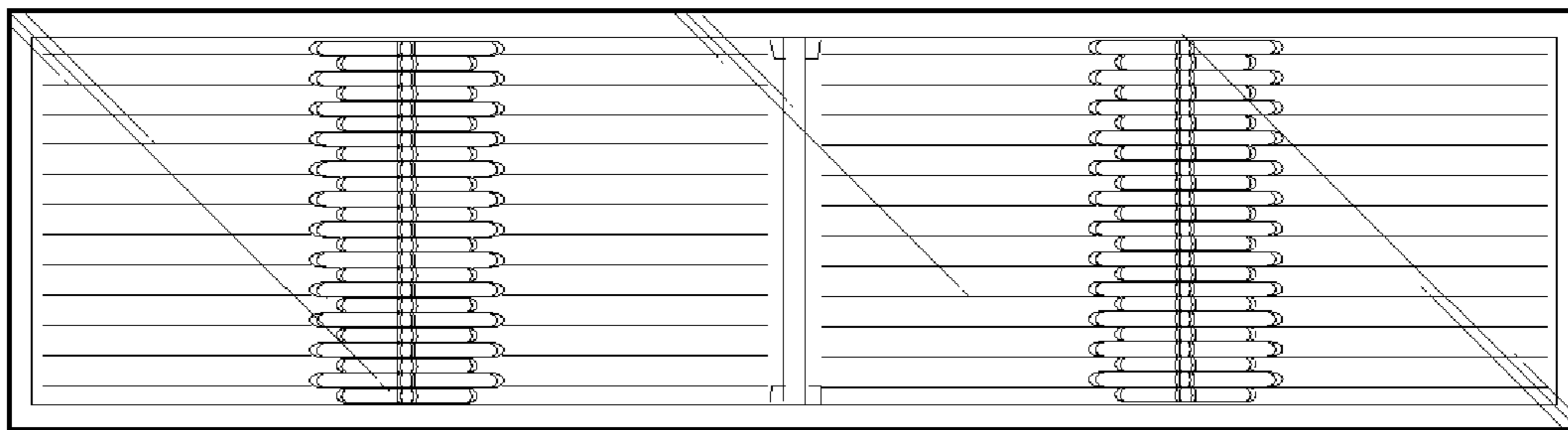


FIG. 114

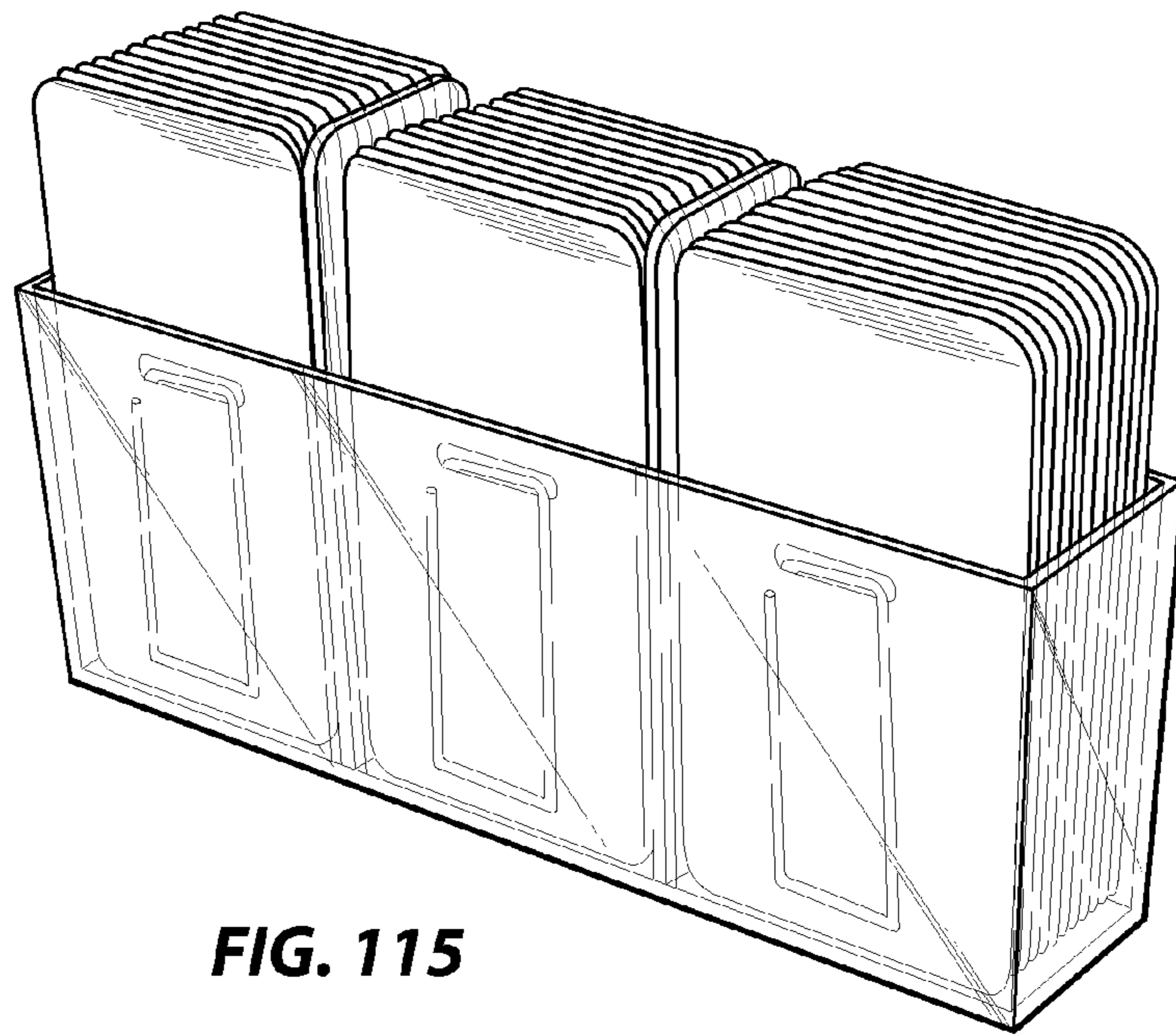


FIG. 115

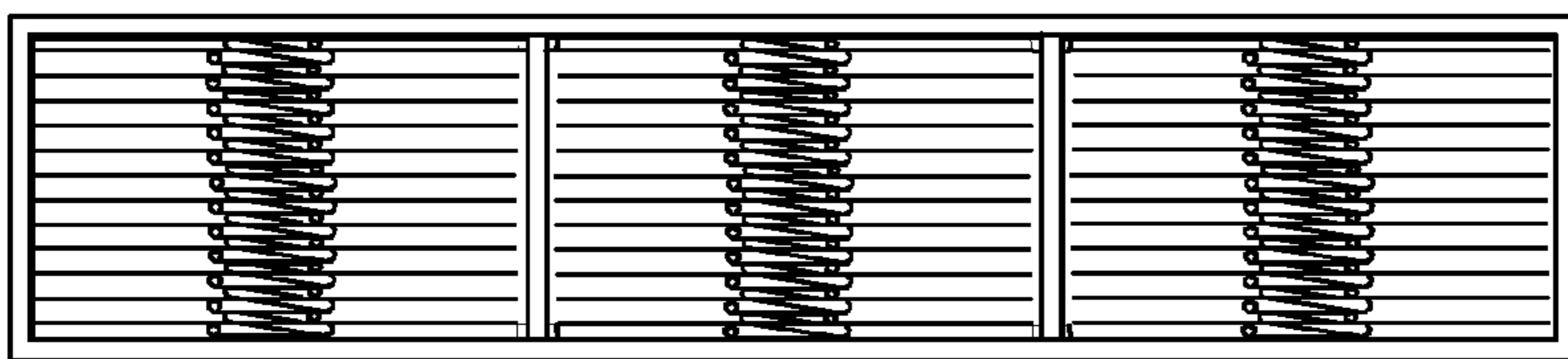


FIG. 116

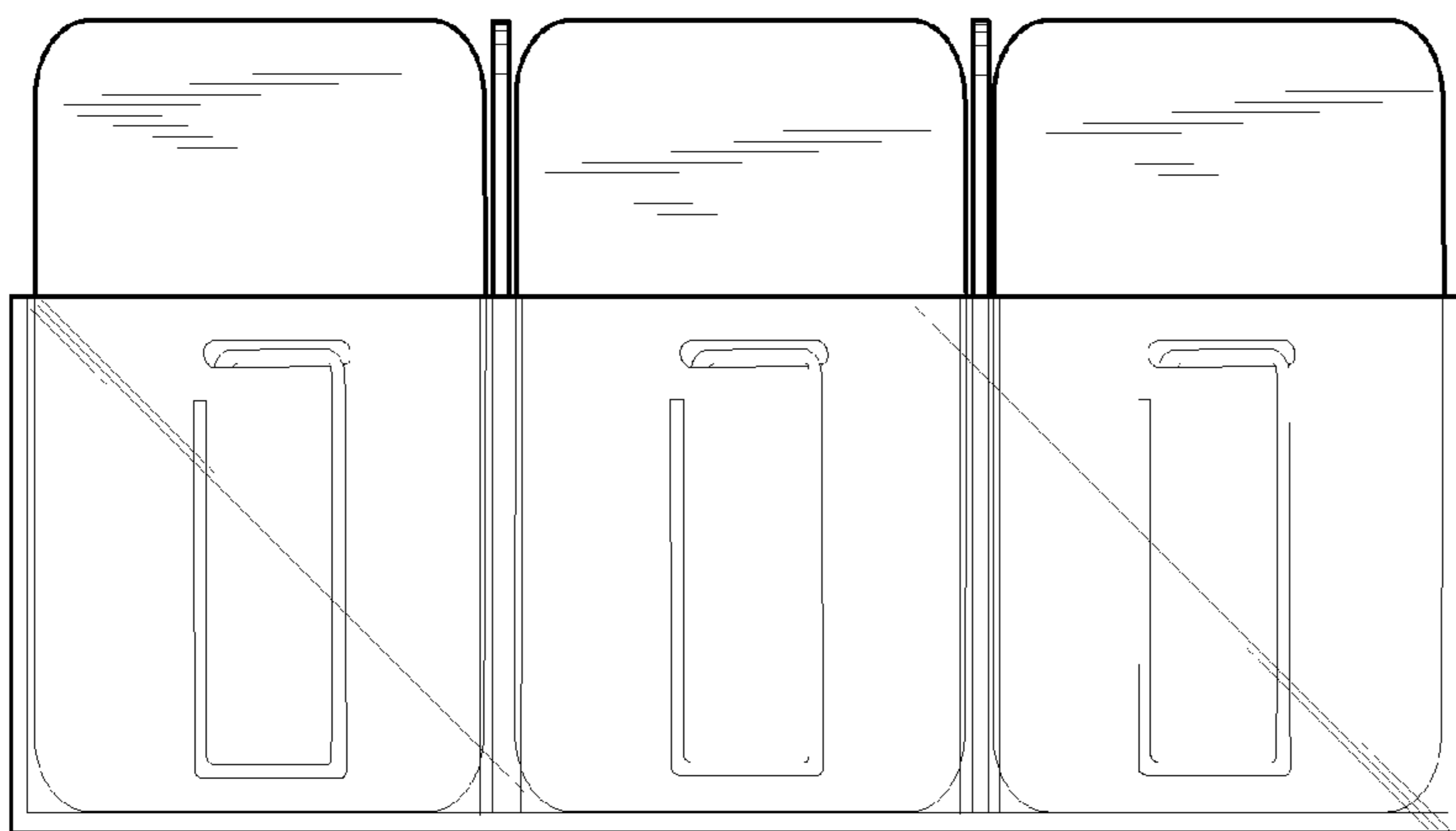


FIG. 117

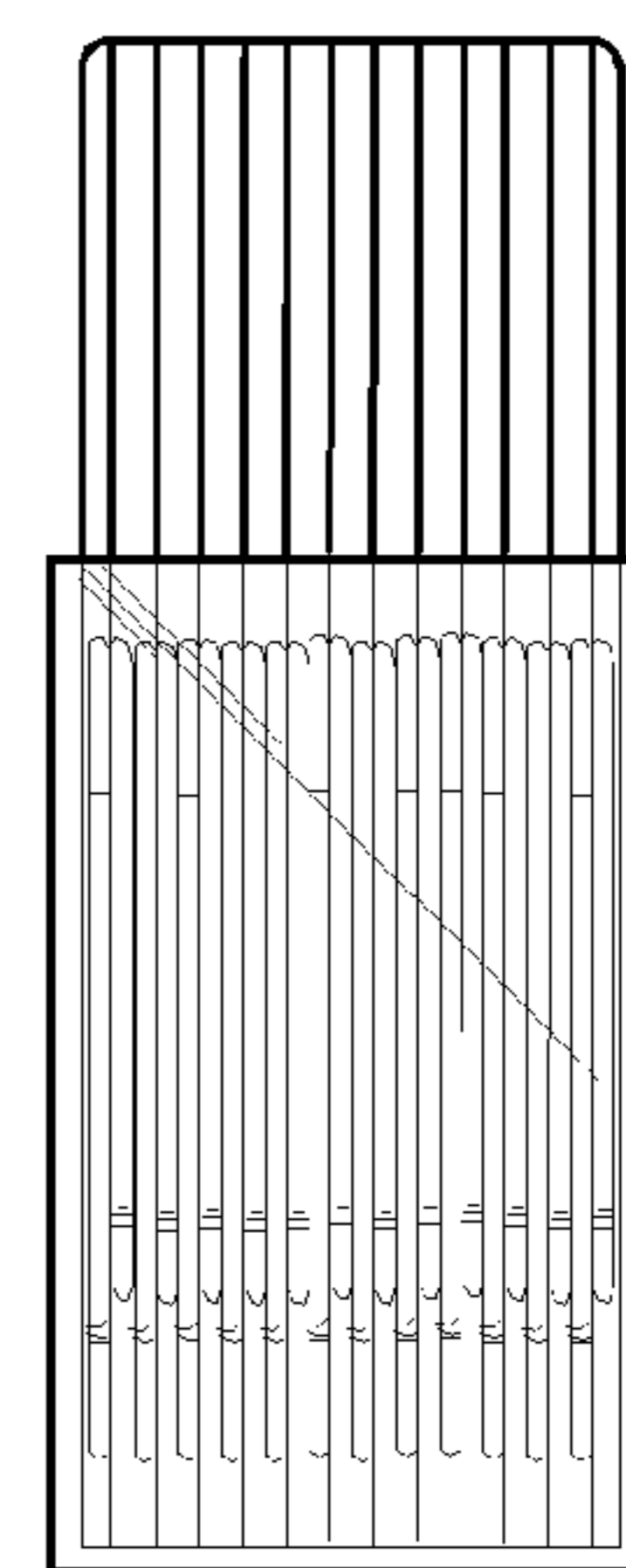


FIG. 118

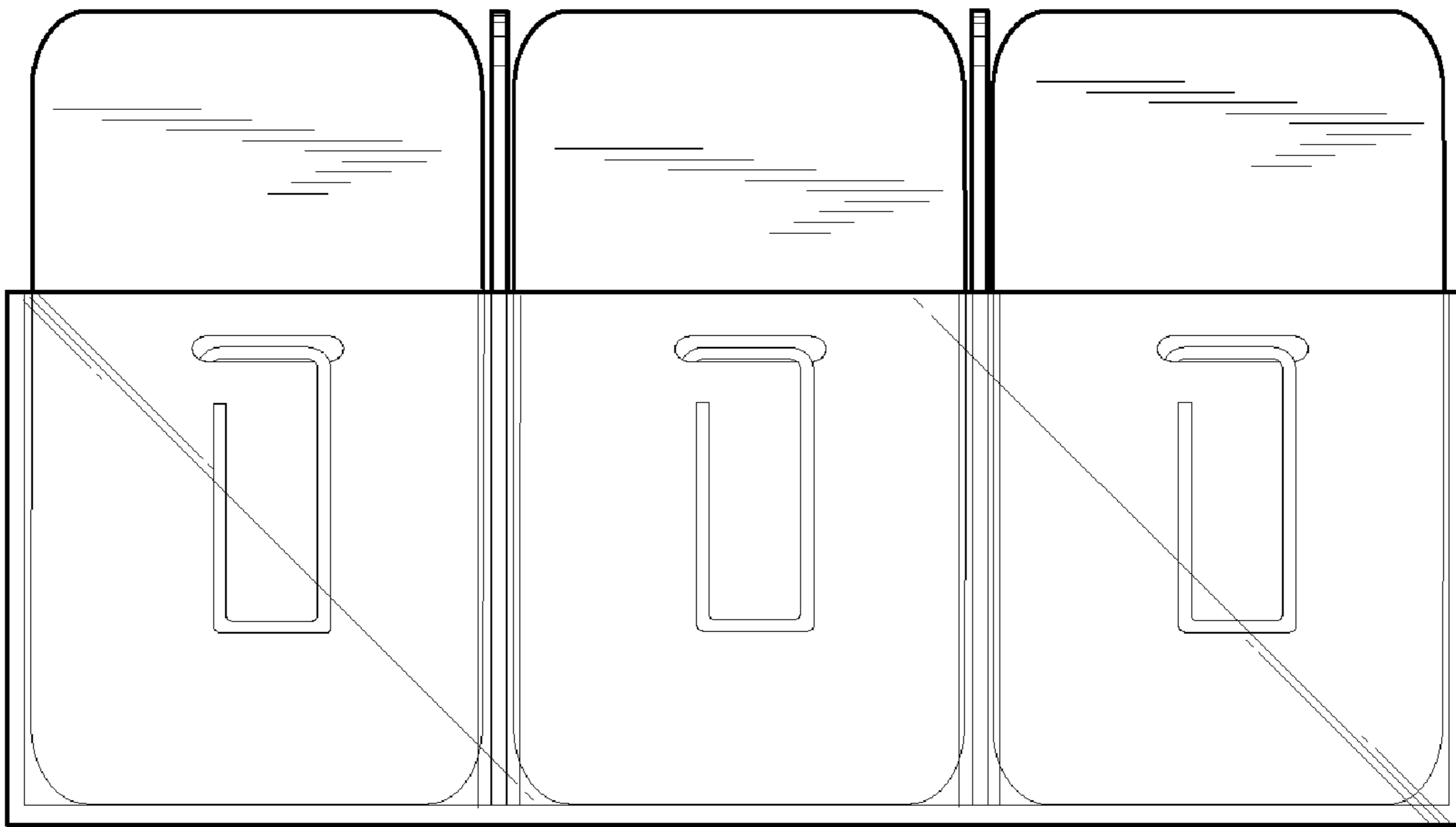


FIG. 119

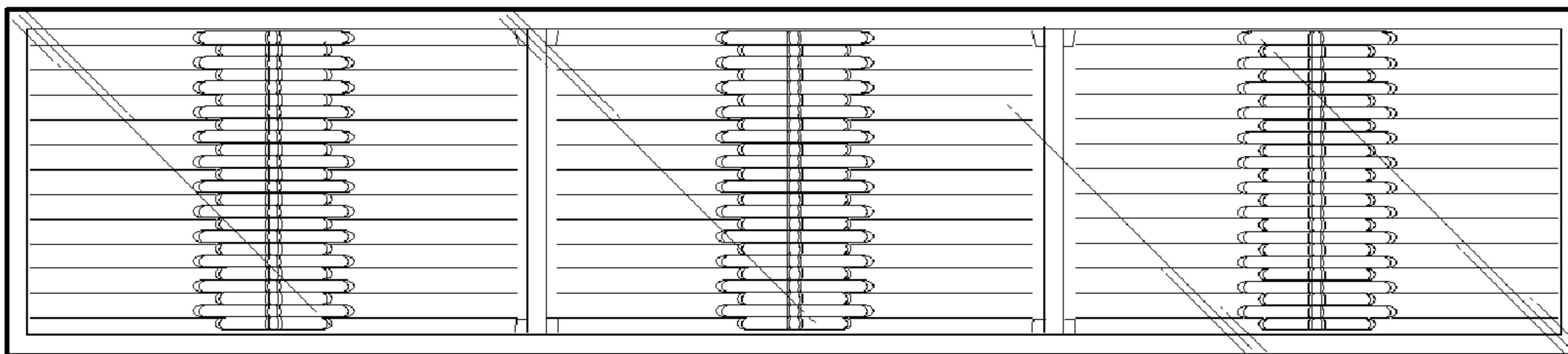


FIG. 120

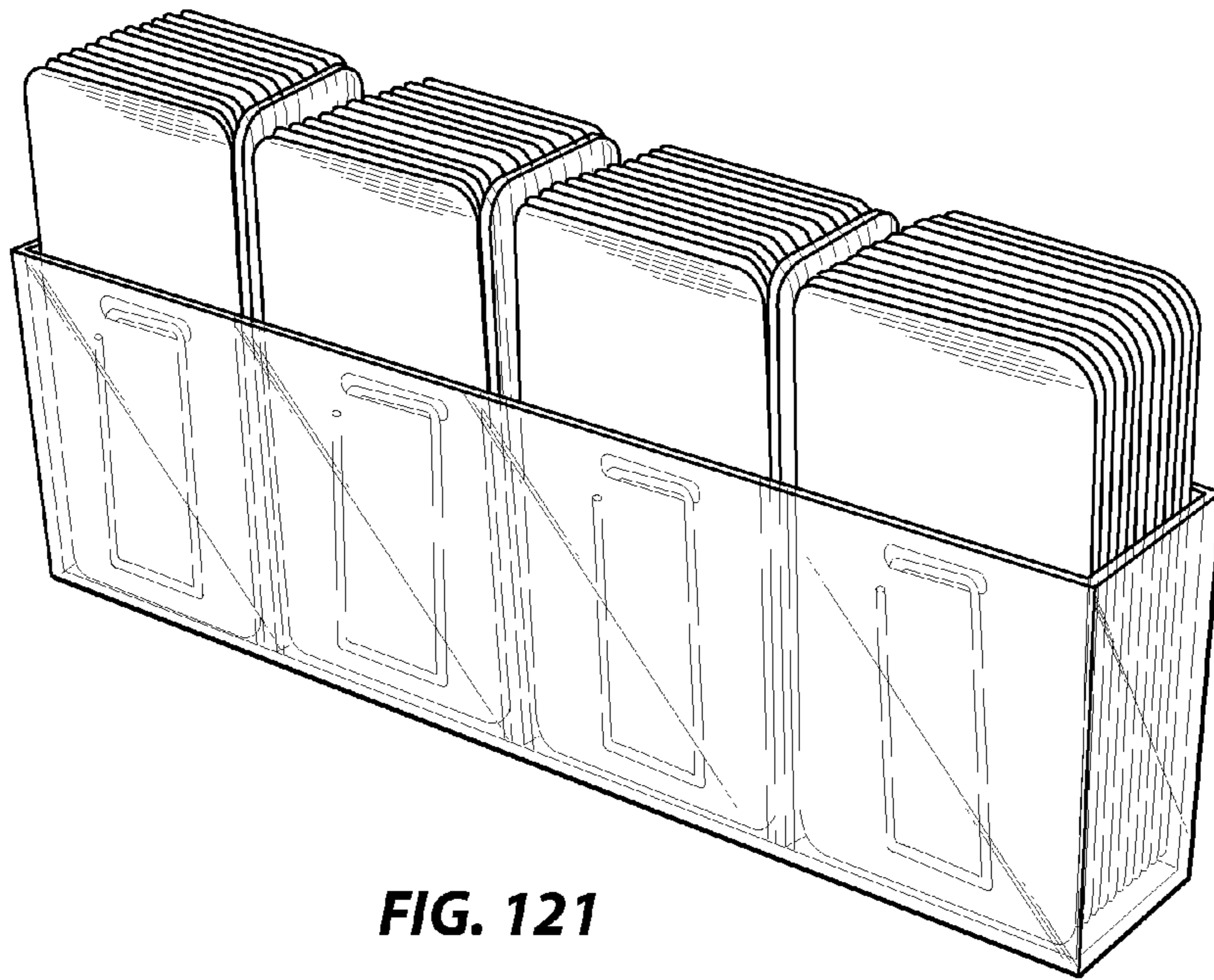


FIG. 121

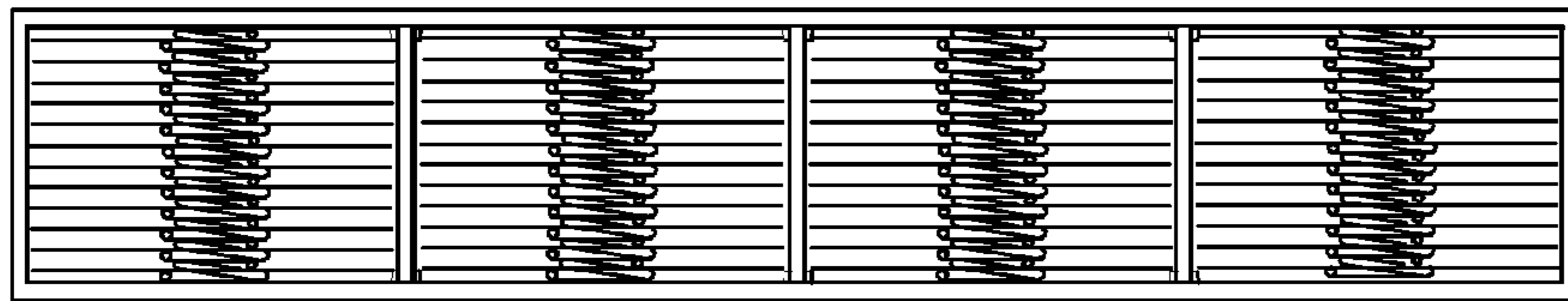


FIG. 122

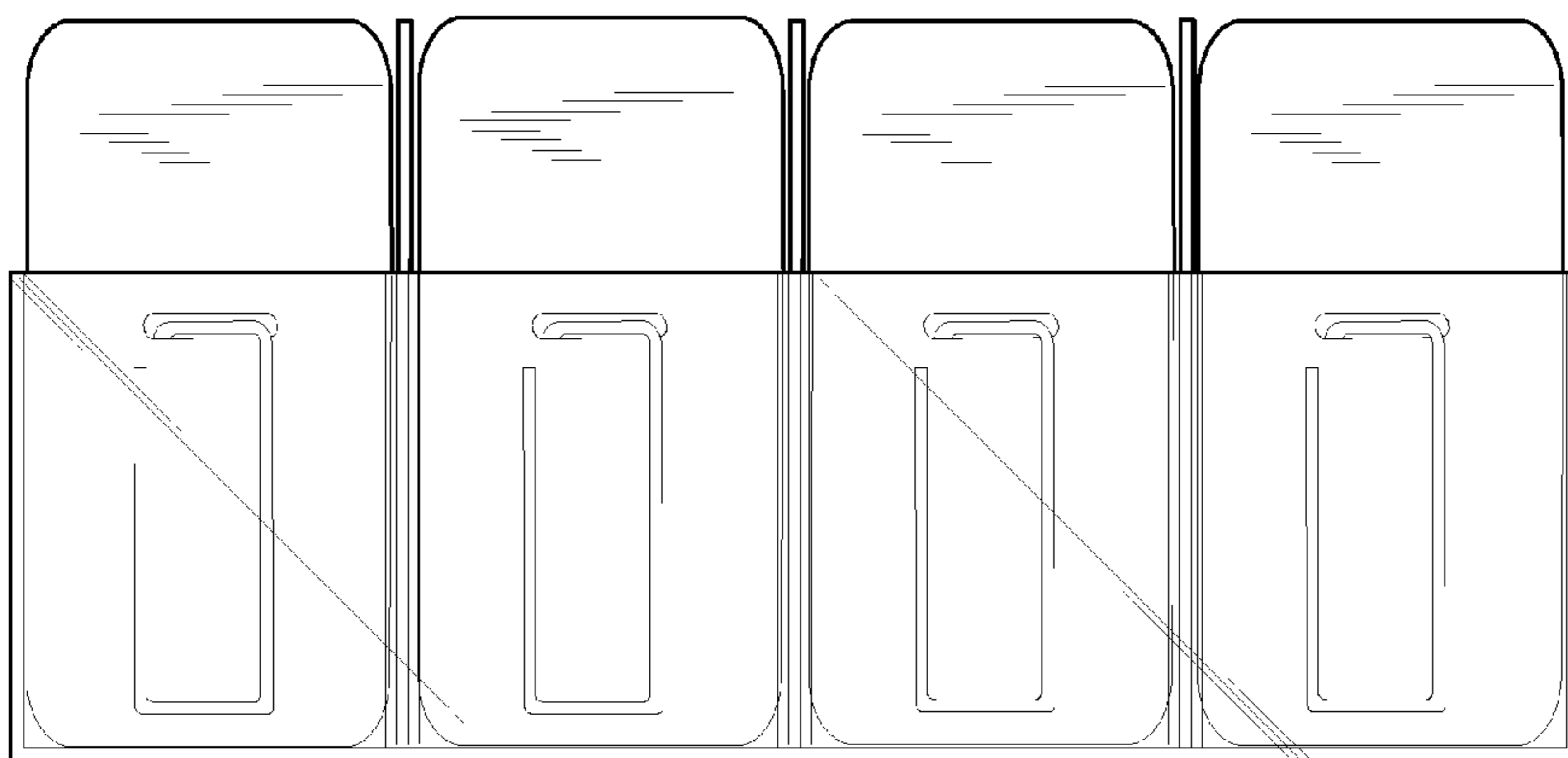


FIG. 123

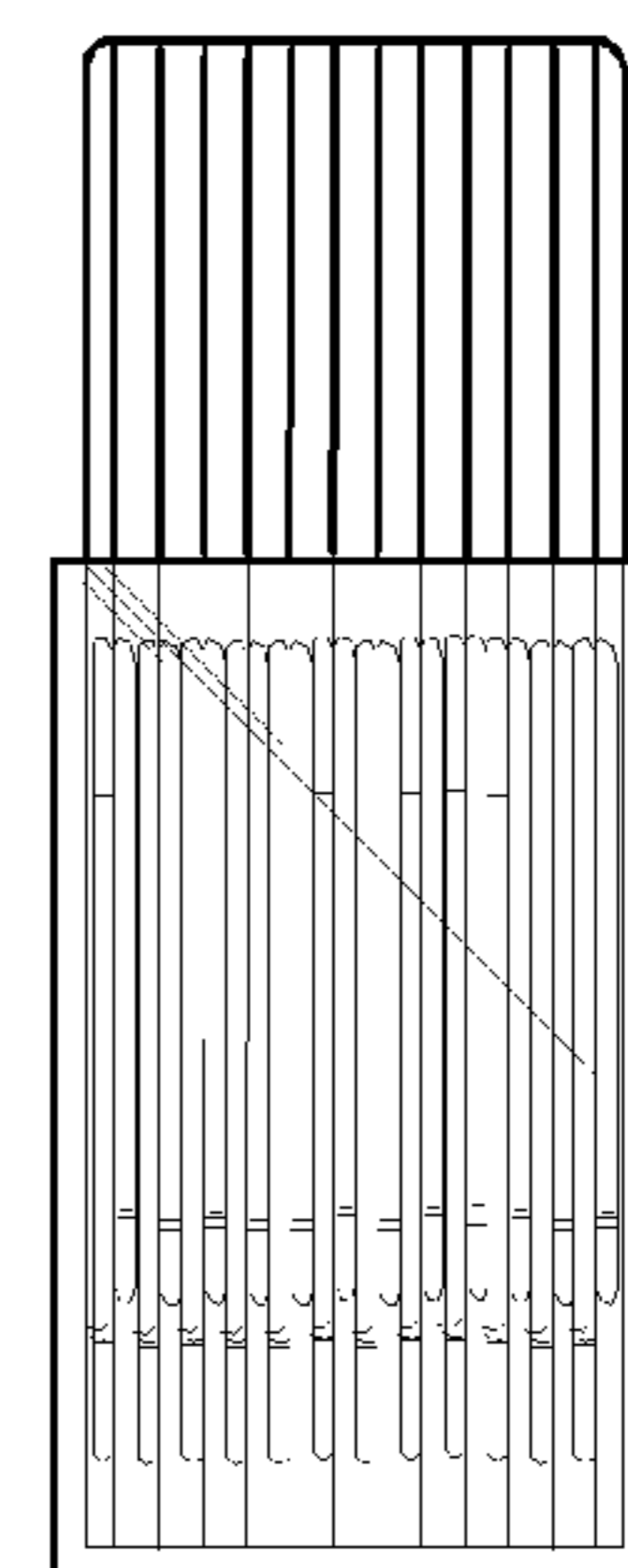


FIG. 124

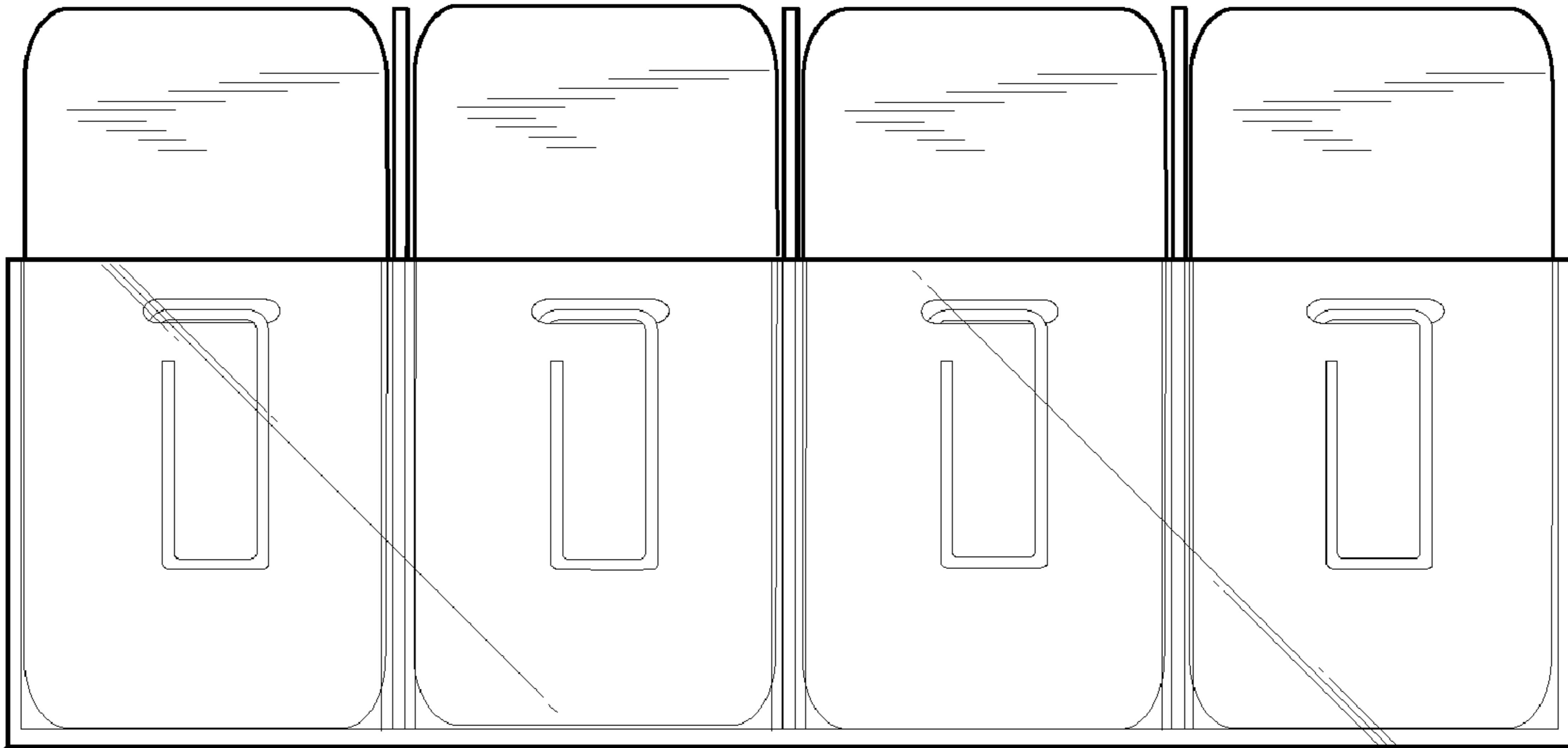


FIG. 125

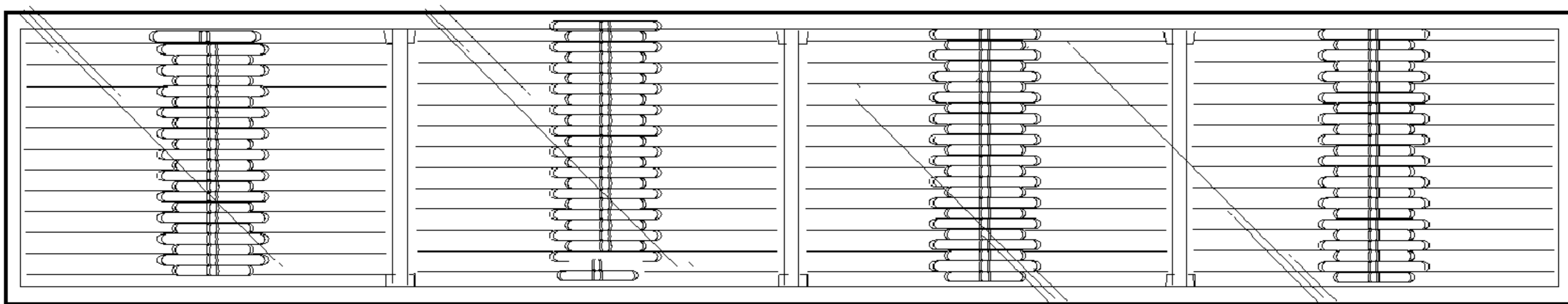


FIG. 126

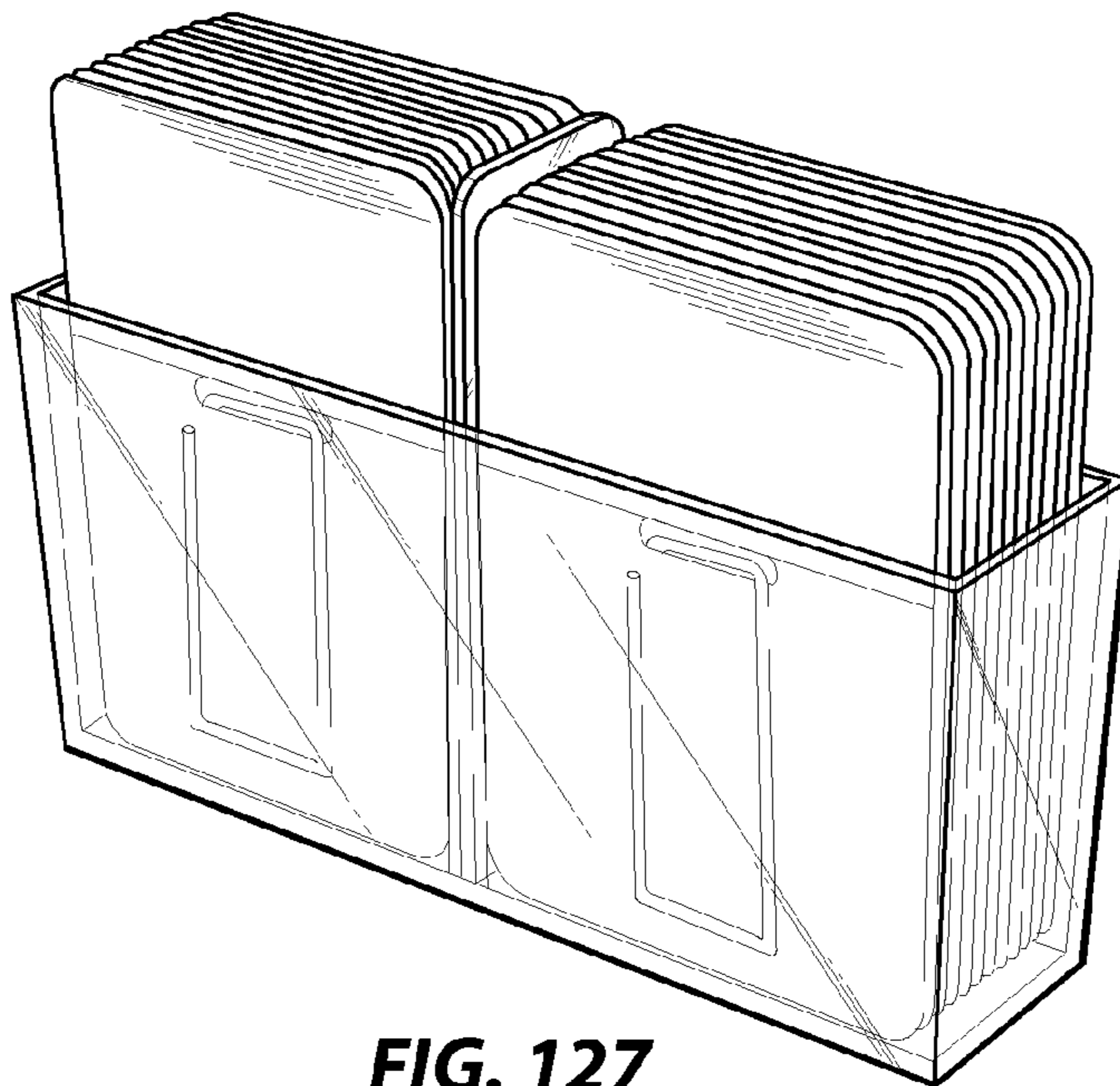


FIG. 127

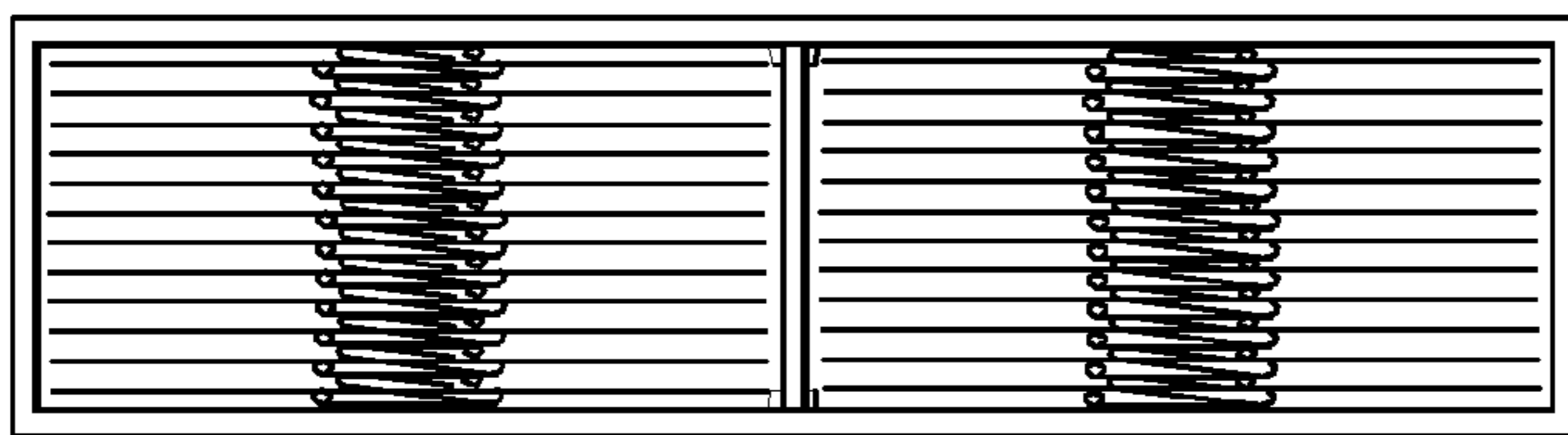


FIG. 128

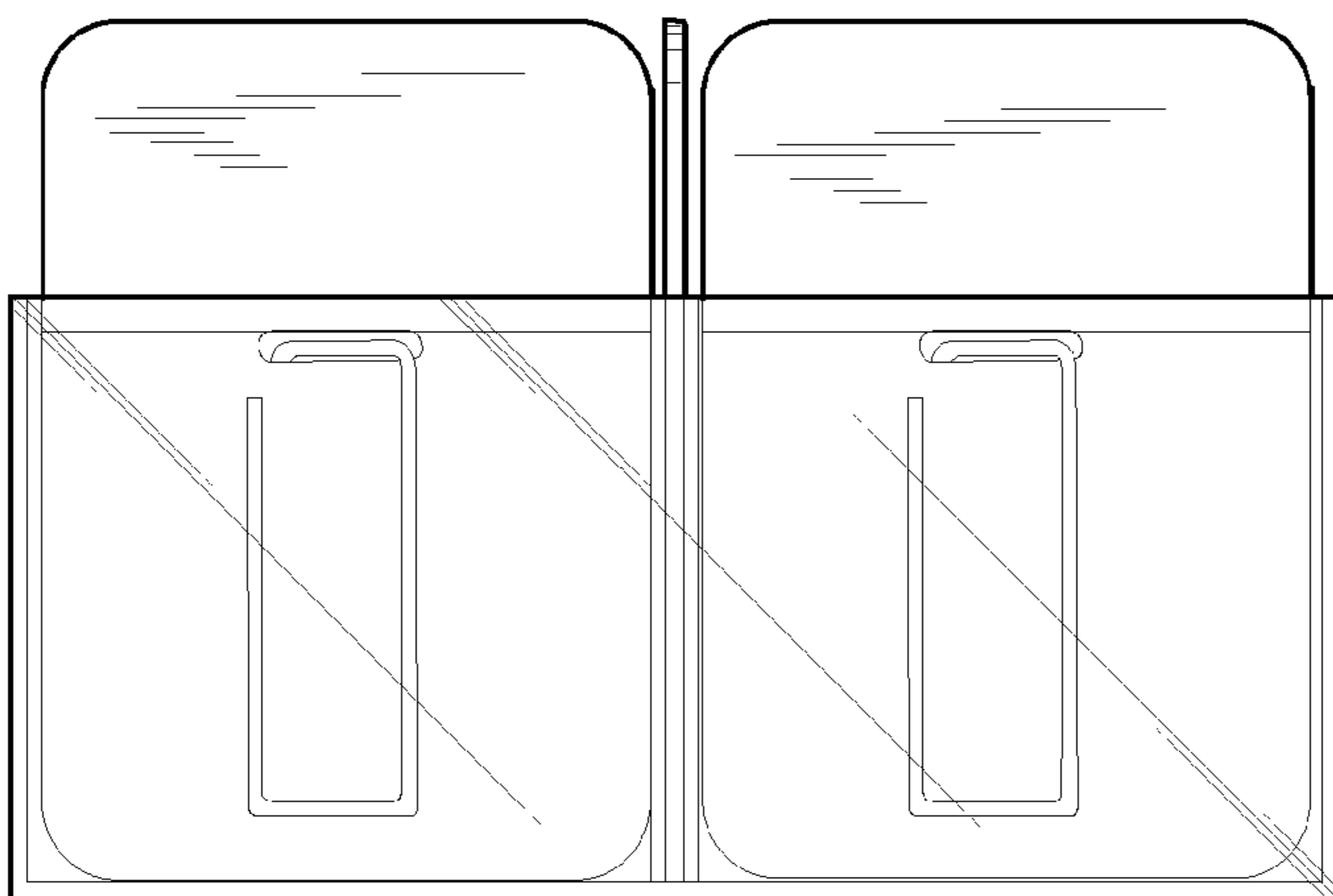


FIG. 129

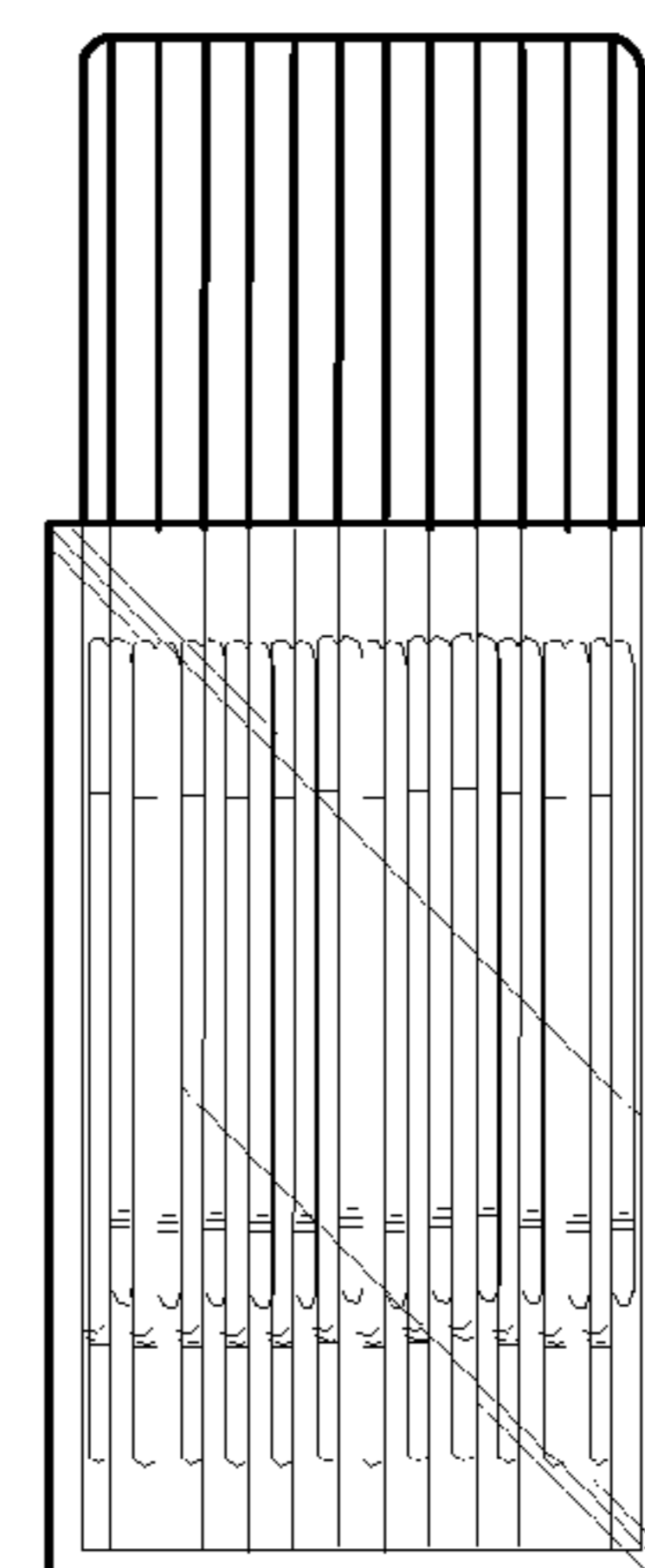


FIG. 130

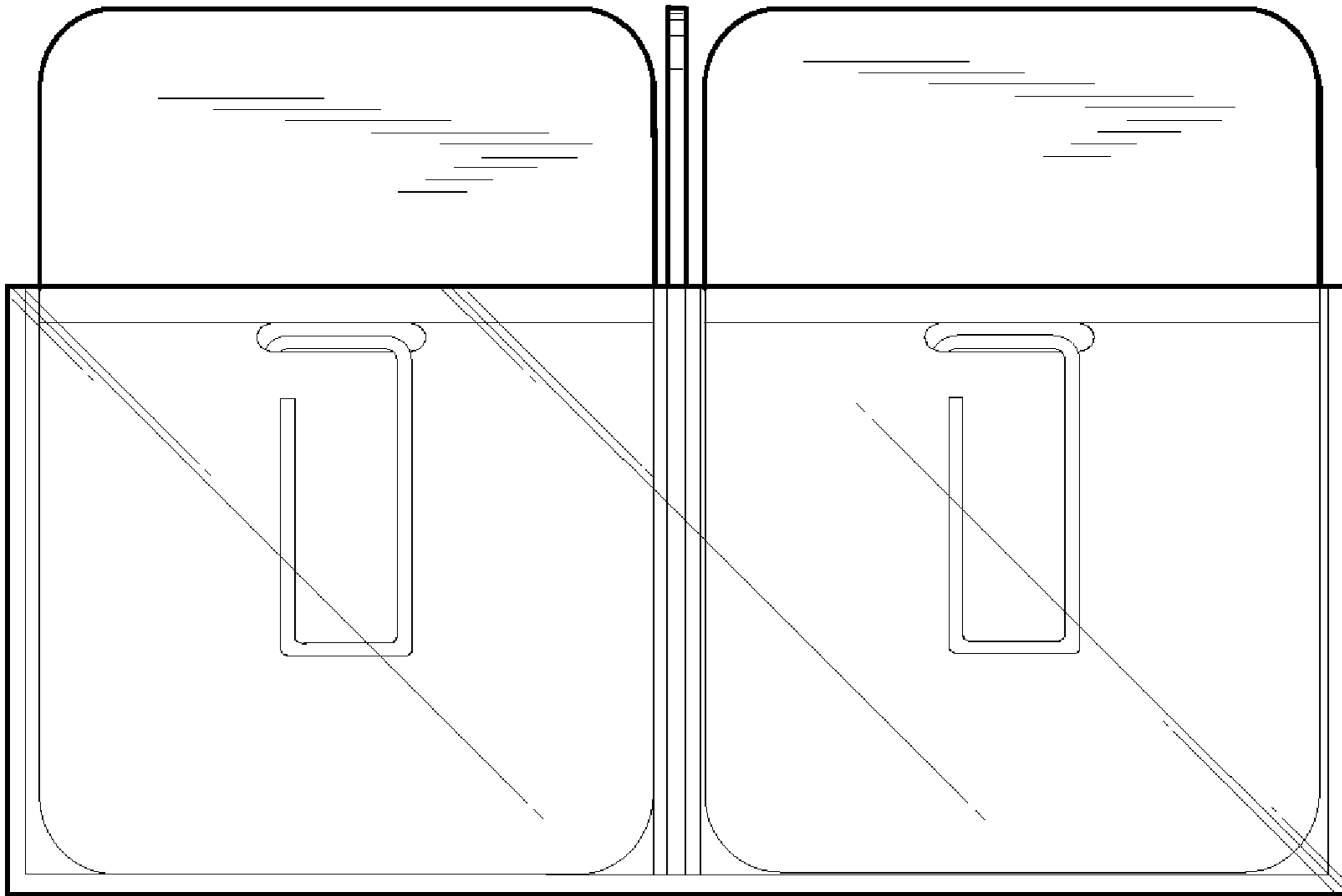


FIG. 131

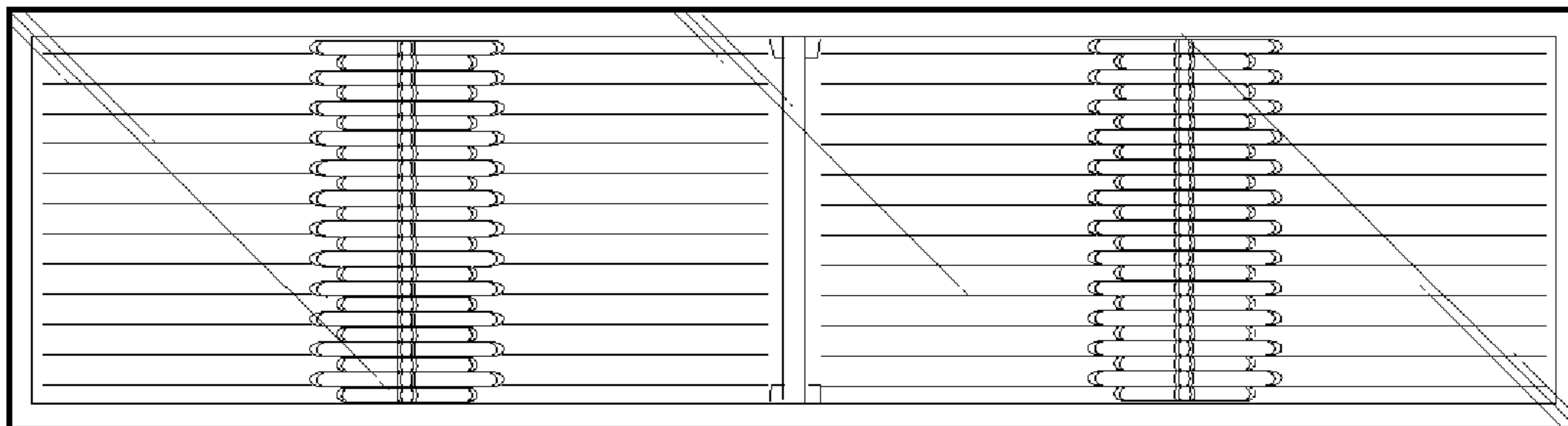


FIG. 132

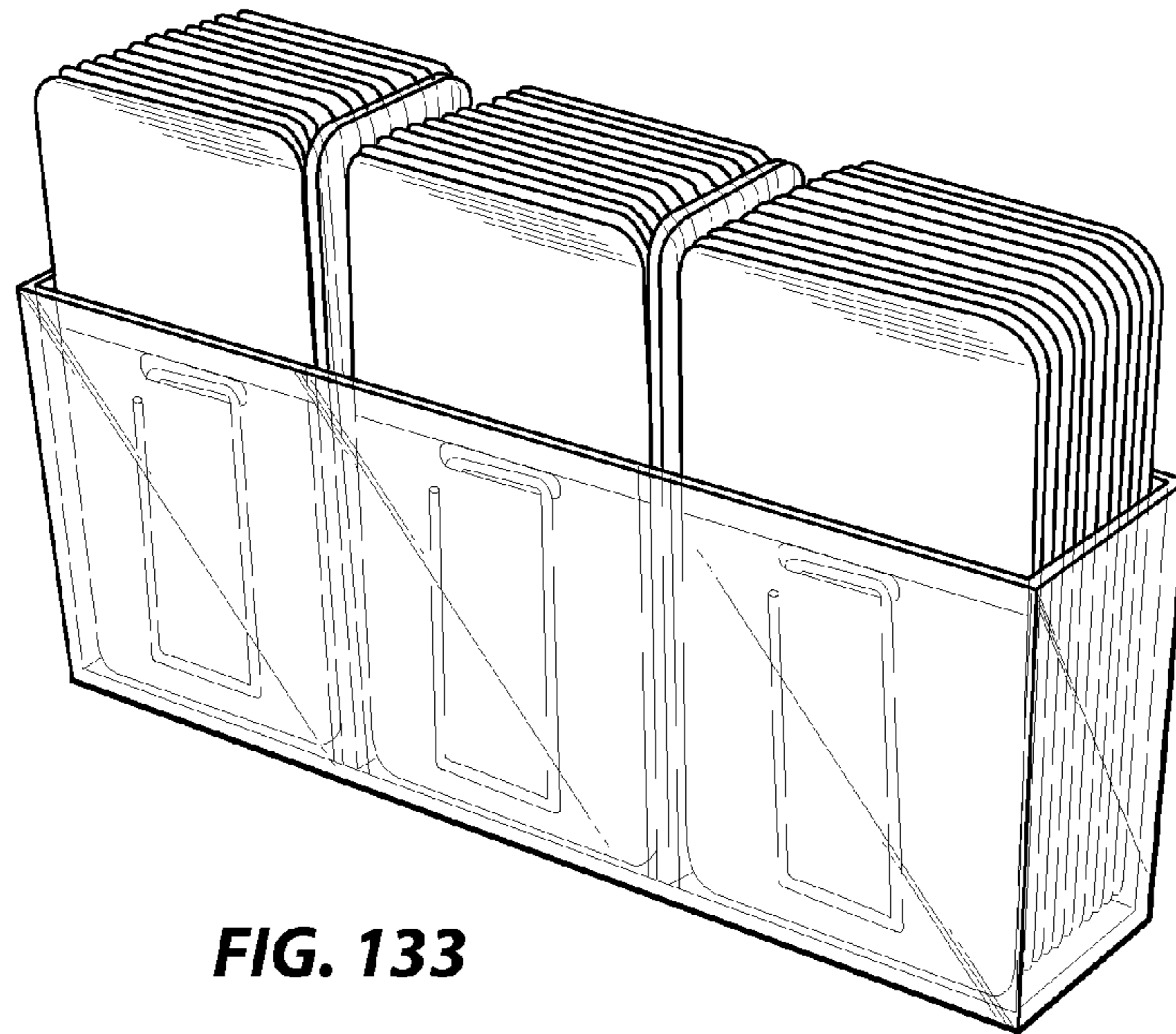


FIG. 133

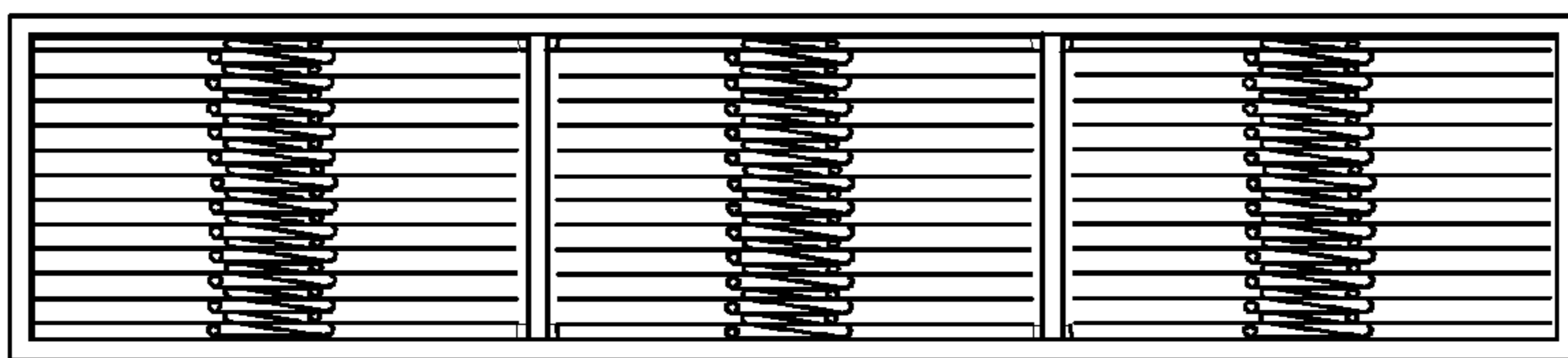


FIG. 134

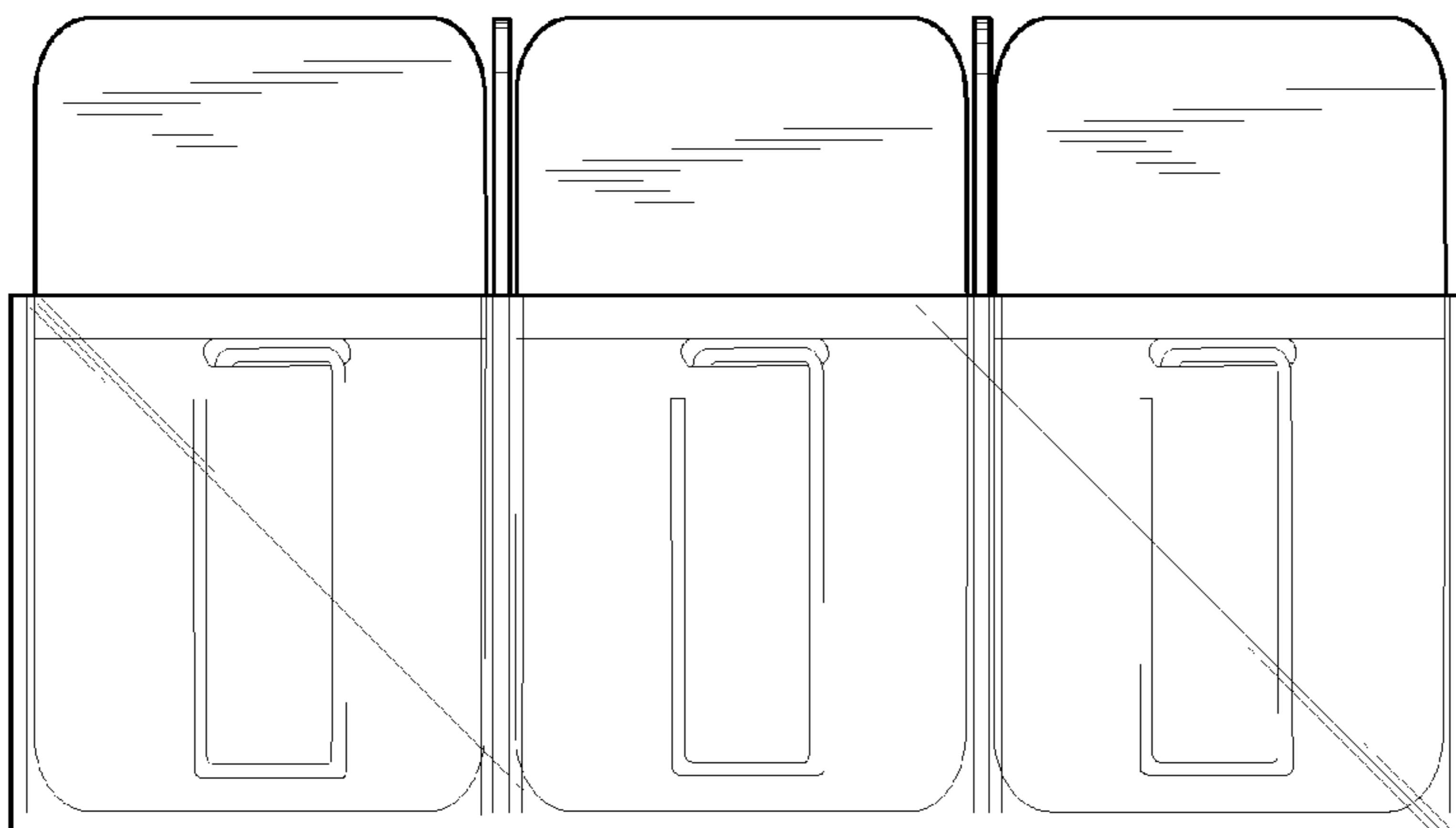


FIG. 135

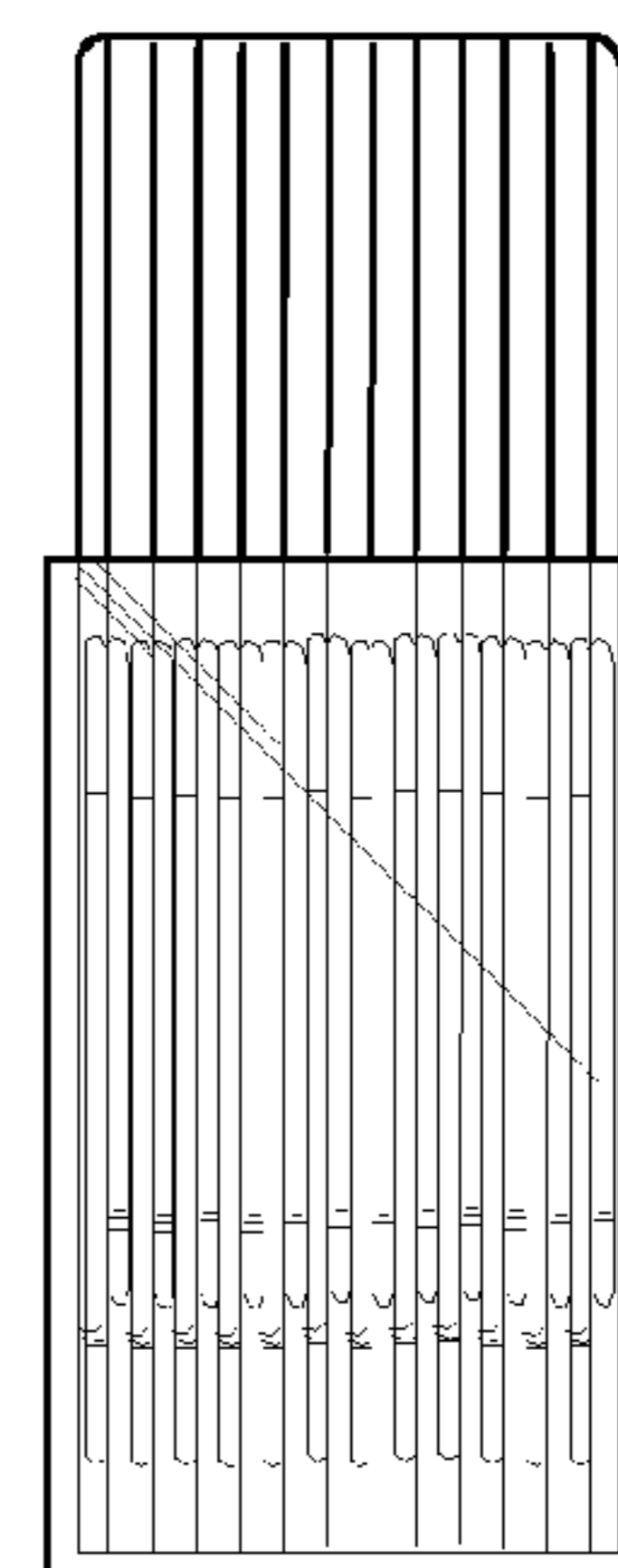


FIG. 136

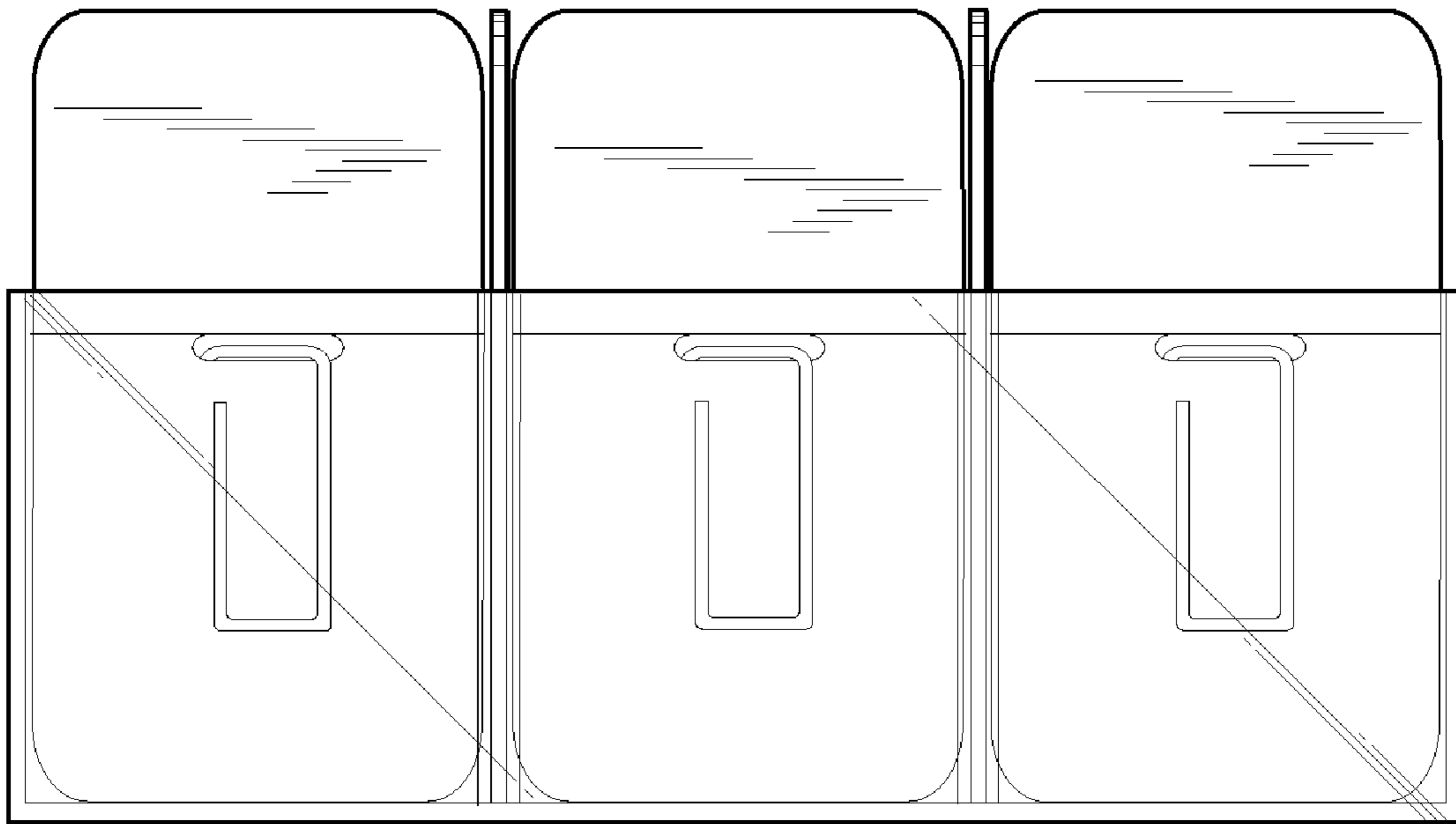


FIG. 137

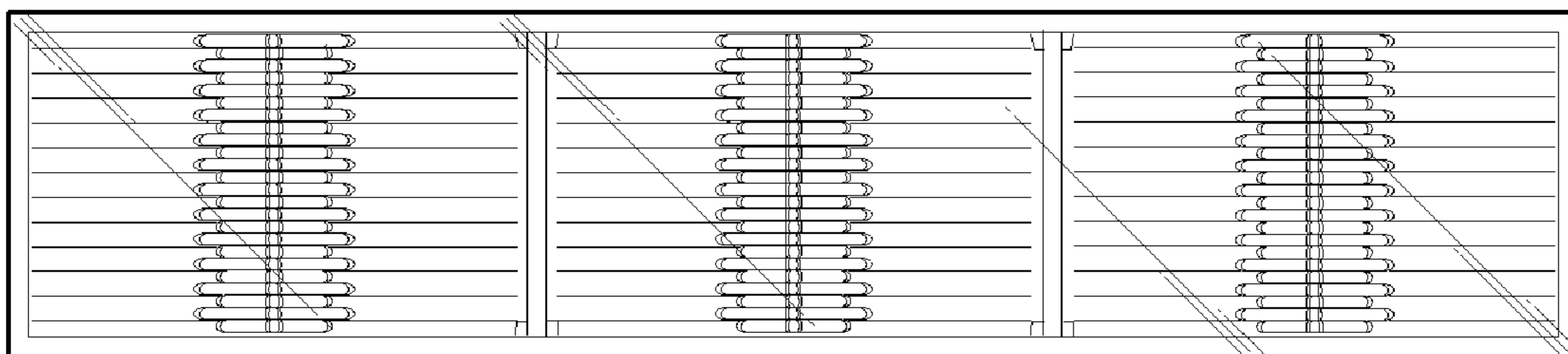
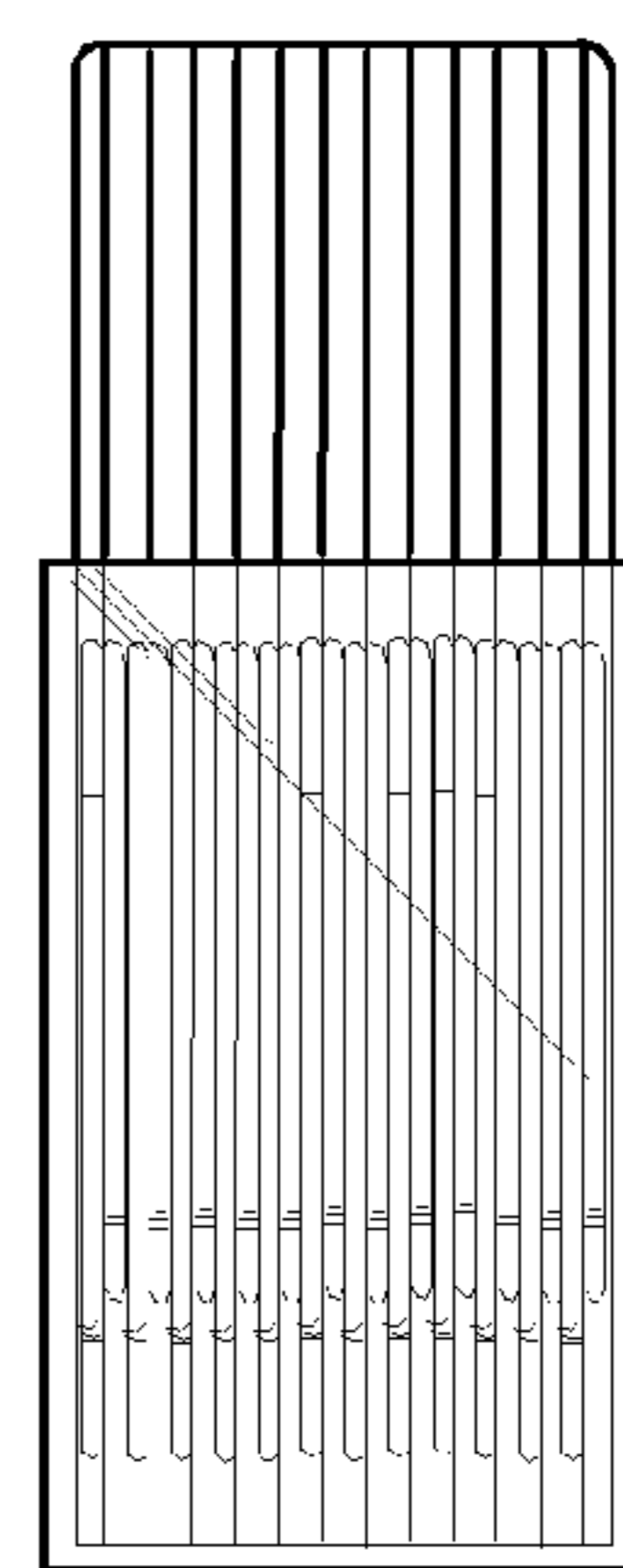
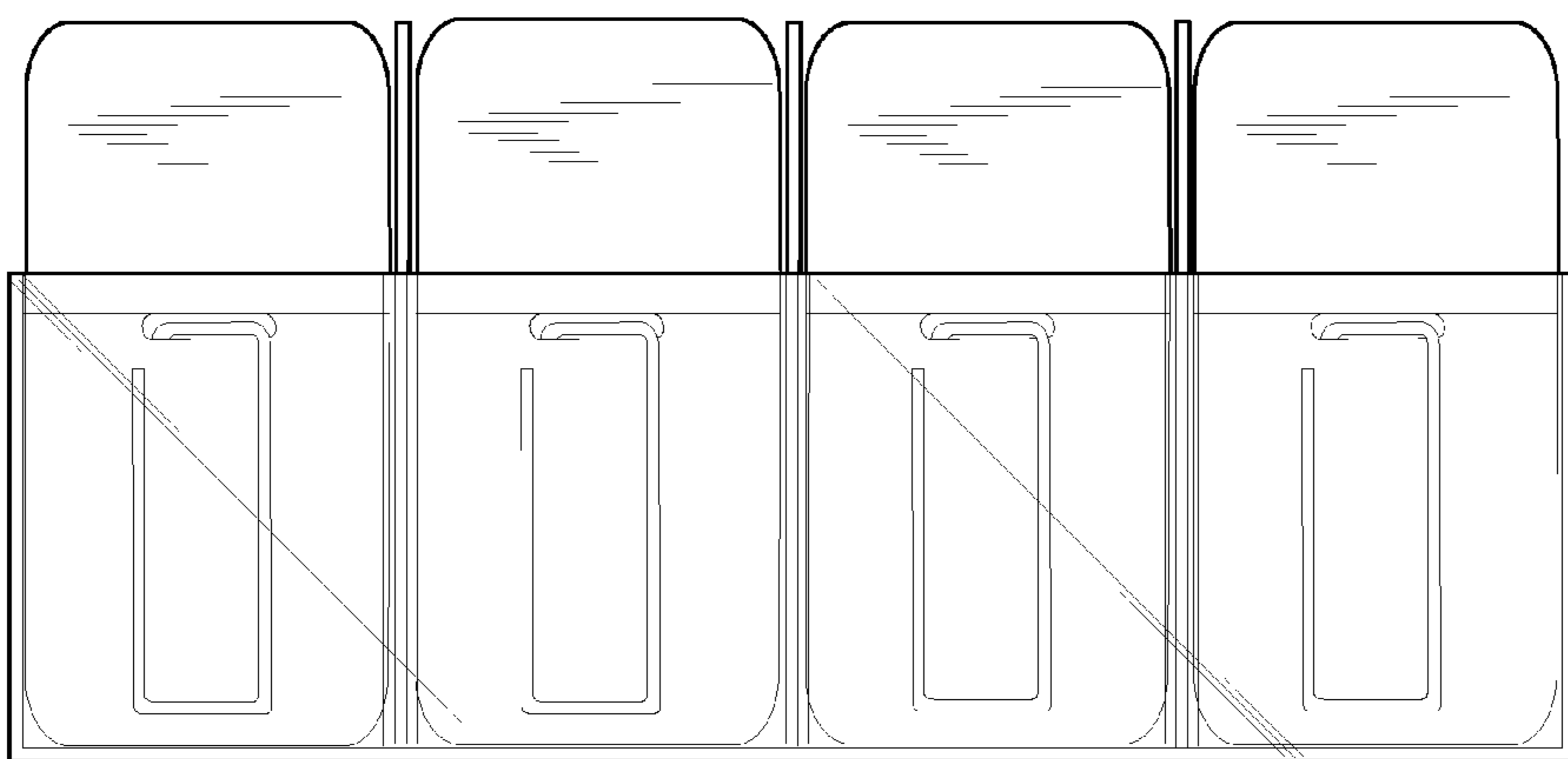
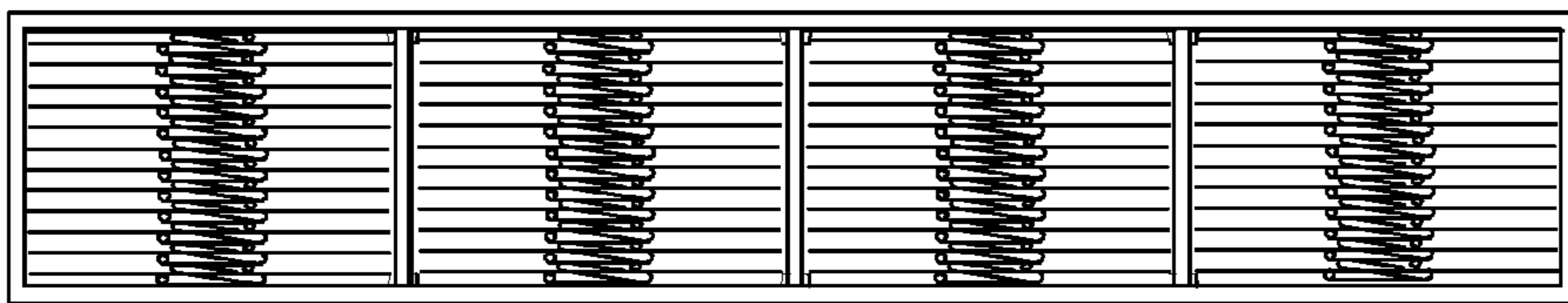
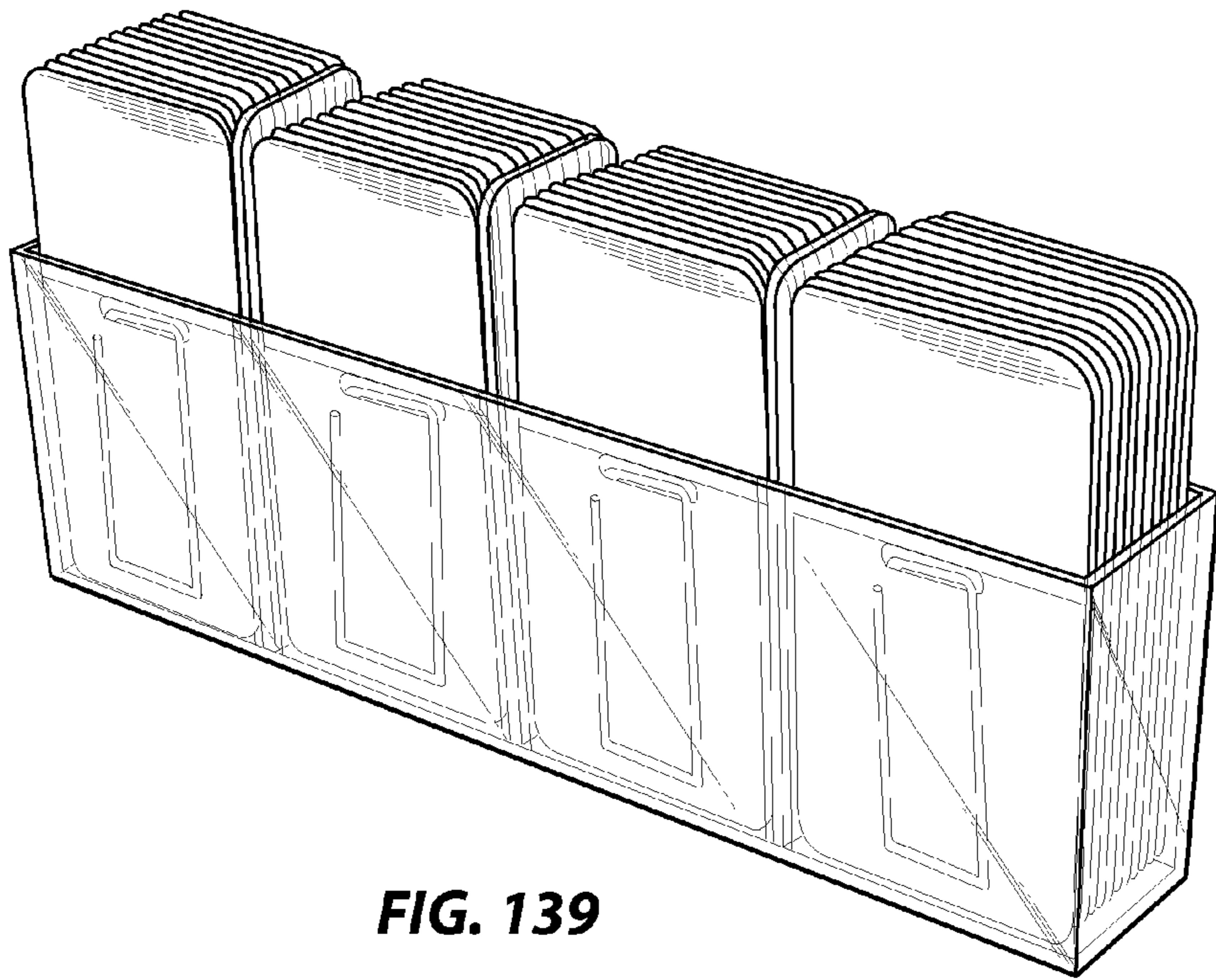


FIG. 138



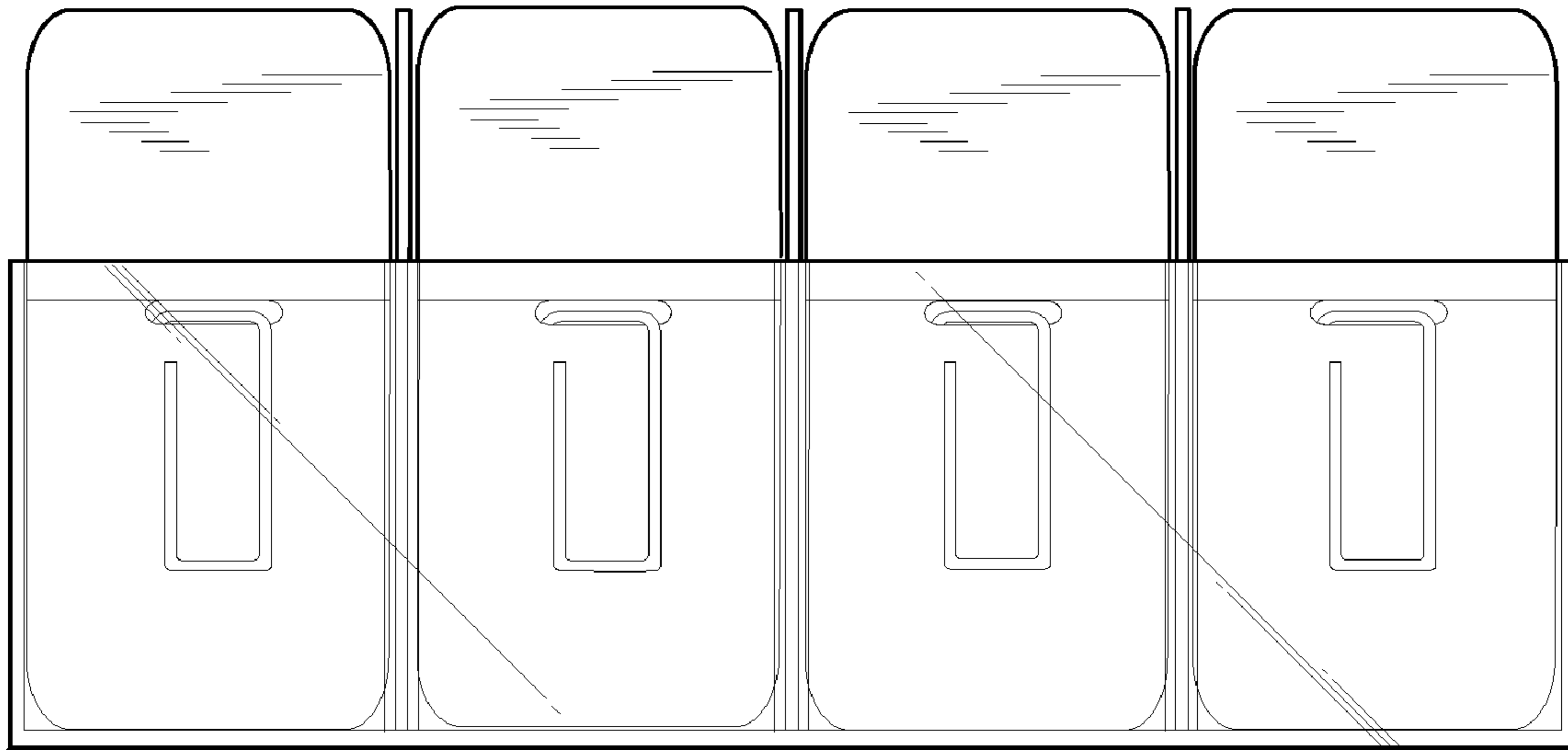


FIG. 143

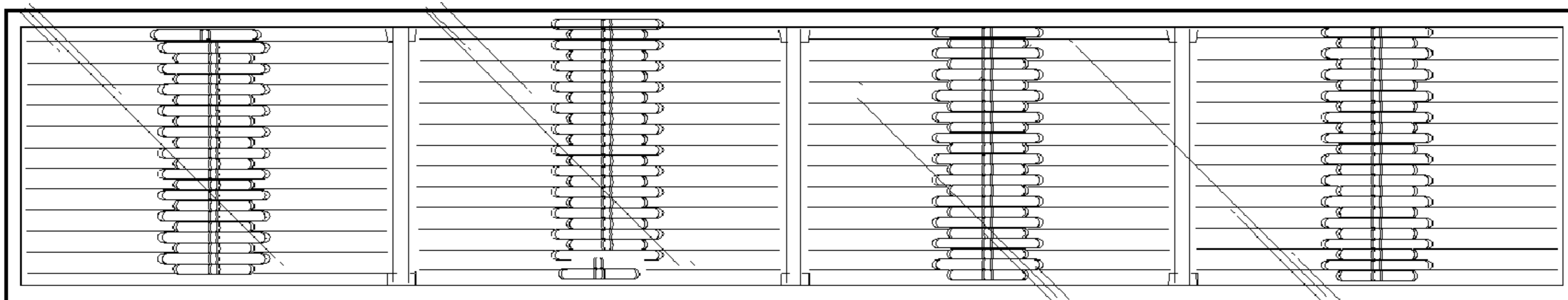


FIG. 144