



US00D573180S

(12) **United States Design Patent**
Yoshino

(10) **Patent No.:** **US D573,180 S**
(45) **Date of Patent:** **** Jul. 15, 2008**

(54) **WASTE INK BOX FOR PRINTER**

(75) Inventor: **Keiichiro Yoshino, Matsumoto (JP)**

(73) Assignee: **Seiko Epson Corporation (JP)**

(**) Term: **14 Years**

(21) Appl. No.: **29/272,826**

(22) Filed: **Feb. 16, 2007**

(30) **Foreign Application Priority Data**

Aug. 30, 2006 (JP) 2006-022951
Aug. 30, 2006 (JP) 2006-022952

(51) **LOC (8) Cl.** **18-02**

(52) **U.S. Cl.** **D18/56; 347/36; 347/86**

(58) **Field of Classification Search** D18/40,
D18/43, 56; 347/86-87, 34
See application file for complete search history.

(56) **References Cited**

U.S. PATENT DOCUMENTS

4,437,104	A *	3/1984	Hudson	347/86
4,524,365	A *	6/1985	Kakeno et al.	347/86
4,673,955	A *	6/1987	Ameyama et al.	347/86
4,855,762	A *	8/1989	Suzuki	347/86
4,901,094	A *	2/1990	Iwagami et al.	347/36
5,221,935	A *	6/1993	Uzita	347/36
D340,063	S *	10/1993	Chow	D18/56
D375,756	S *	11/1996	Murray et al.	D18/56
5,686,947	A *	11/1997	Murray et al.	347/85
D392,995	S *	3/1998	Sasaki	D18/56
5,774,142	A *	6/1998	Nguyen et al.	347/35
5,953,031	A *	9/1999	Omata et al.	347/86
6,059,402	A *	5/2000	Martens	347/86
6,203,137	B1 *	3/2001	Niimura et al.	347/36
6,220,314	B1 *	4/2001	Sato	347/36
6,338,541	B1 *	1/2002	Iwata et al.	347/36
6,341,837	B1 *	1/2002	Jung	347/36

6,361,142	B1 *	3/2002	Otsuka et al.	347/36
6,629,750	B2 *	10/2003	Ciordia	347/36
D490,846	S *	6/2004	Suzuki et al.	D18/56
D492,962	S *	7/2004	Suzuki et al.	D18/56
D500,073	S *	12/2004	Rousseau	D18/40
6,860,583	B2 *	3/2005	Cheney et al.	347/35
D552,672	S *	10/2007	Haney	D18/56
2002/0018093	A1 *	2/2002	Sugimoto et al.	347/36
2003/0112289	A1 *	6/2003	Berg et al.	347/36
2005/0018009	A1 *	1/2005	Otsubo	347/36
2005/0195241	A1 *	9/2005	Kawai et al.	347/36
2007/0030304	A1 *	2/2007	Yamada	347/36

* cited by examiner

Primary Examiner—Cathy Anne MacCormac
(74) *Attorney, Agent, or Firm*—Harness, Dickey & Pierce, P.L.C.

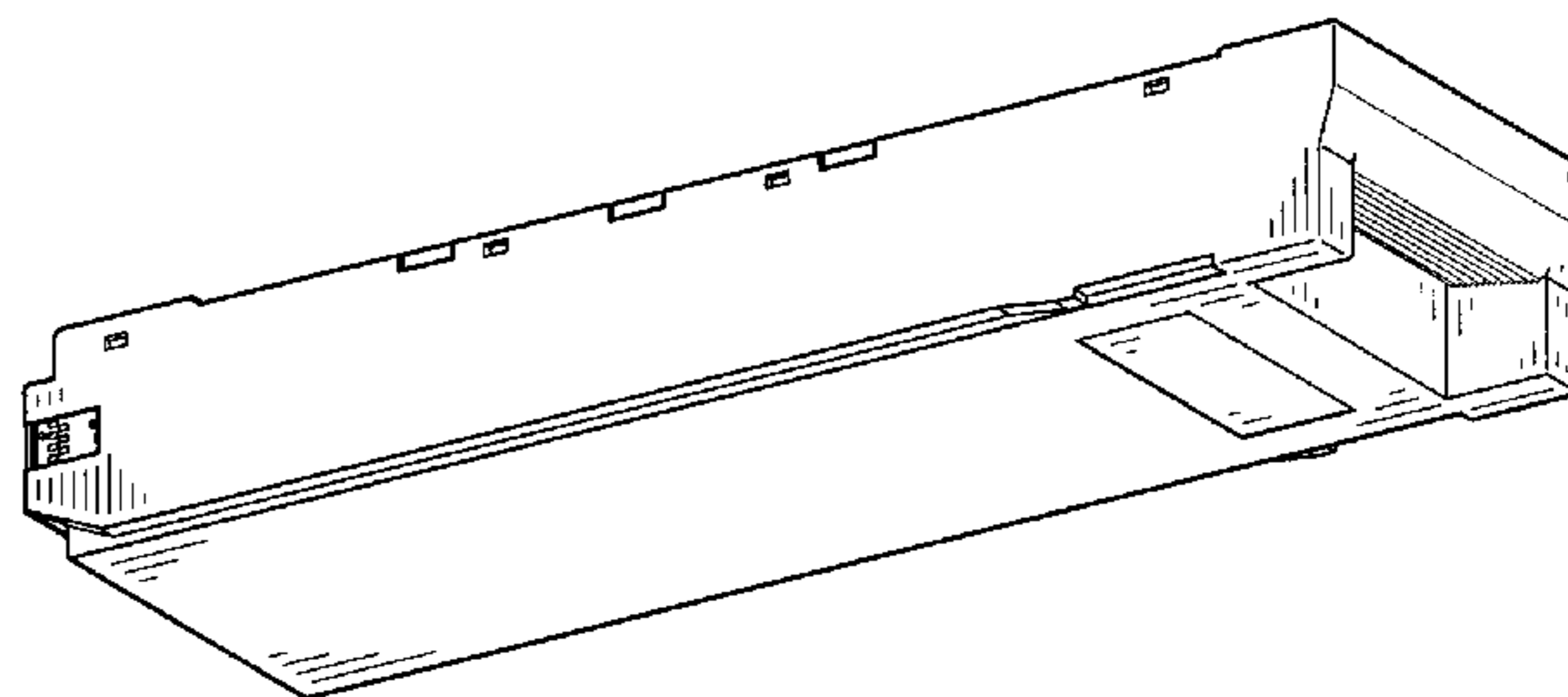
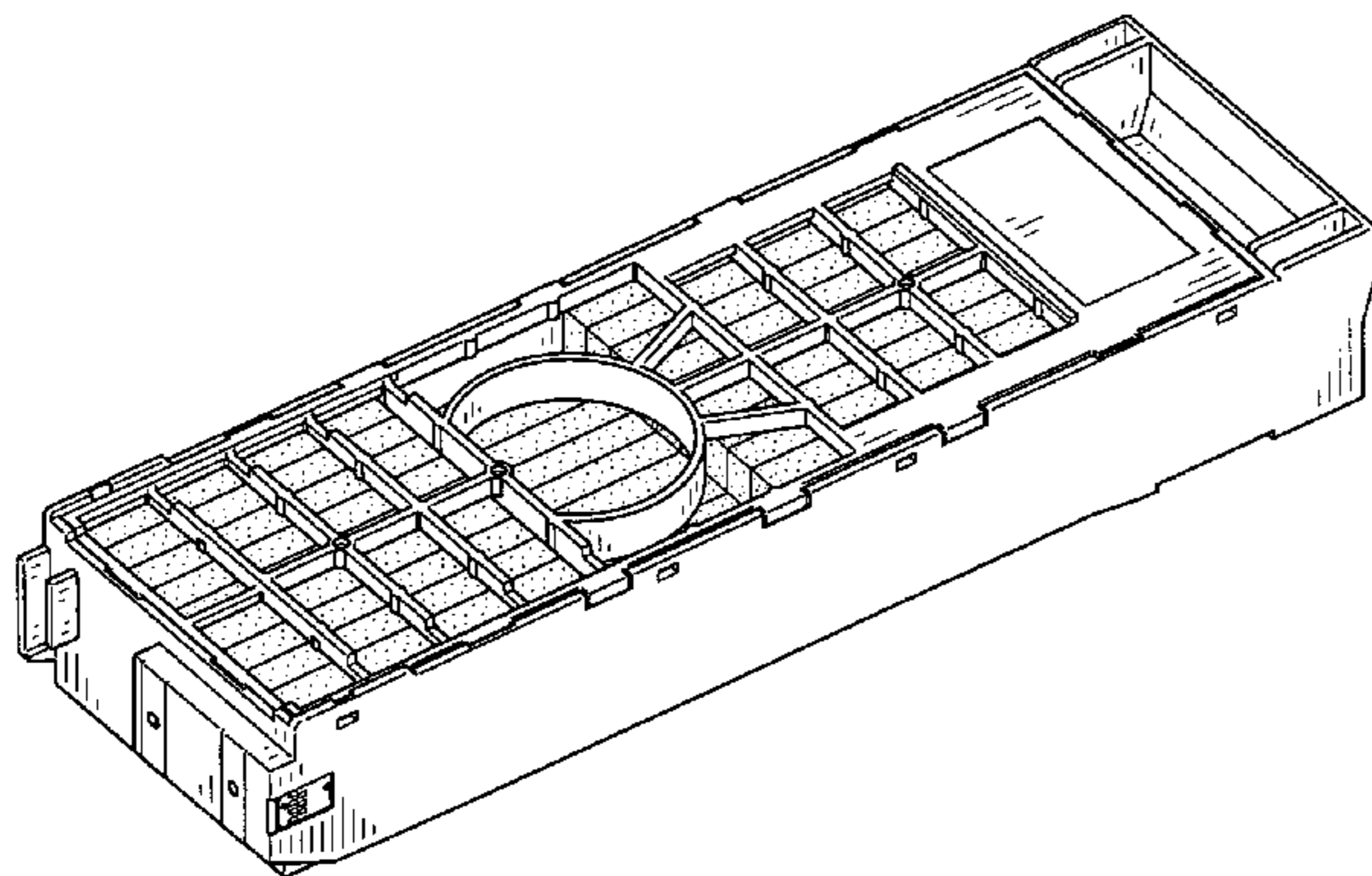
(57) **CLAIM**

The ornamental design for a waste ink box for printer, as shown and described.

DESCRIPTION

FIG. 1 is a top, front and left side perspective view of a waste box for printer embodying my new design;
FIG. 2 is a bottom, front and right side perspective view thereof;
FIG. 3 is a rear view thereof;
FIG. 4 is a front view thereof;
FIG. 5 is a right side view thereof;
FIG. 6 is a left side view thereof;
FIG. 7 is a top view thereof;
FIG. 8 is a bottom view thereof; and,
FIG. 9 is an enlarged partial perspective view thereof, as viewed from the bottom, front and right side.

1 Claim, 4 Drawing Sheets



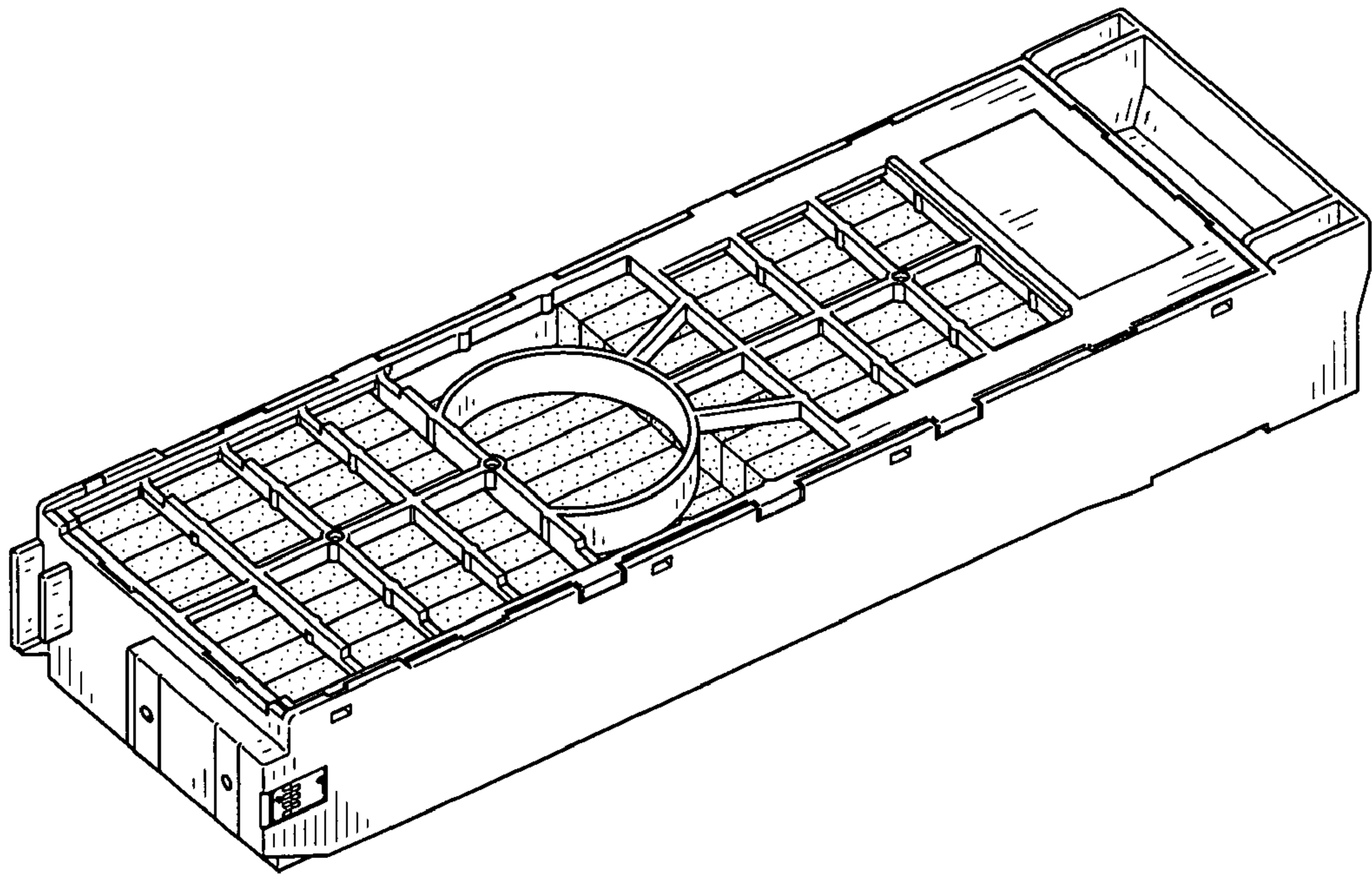


FIG. 1

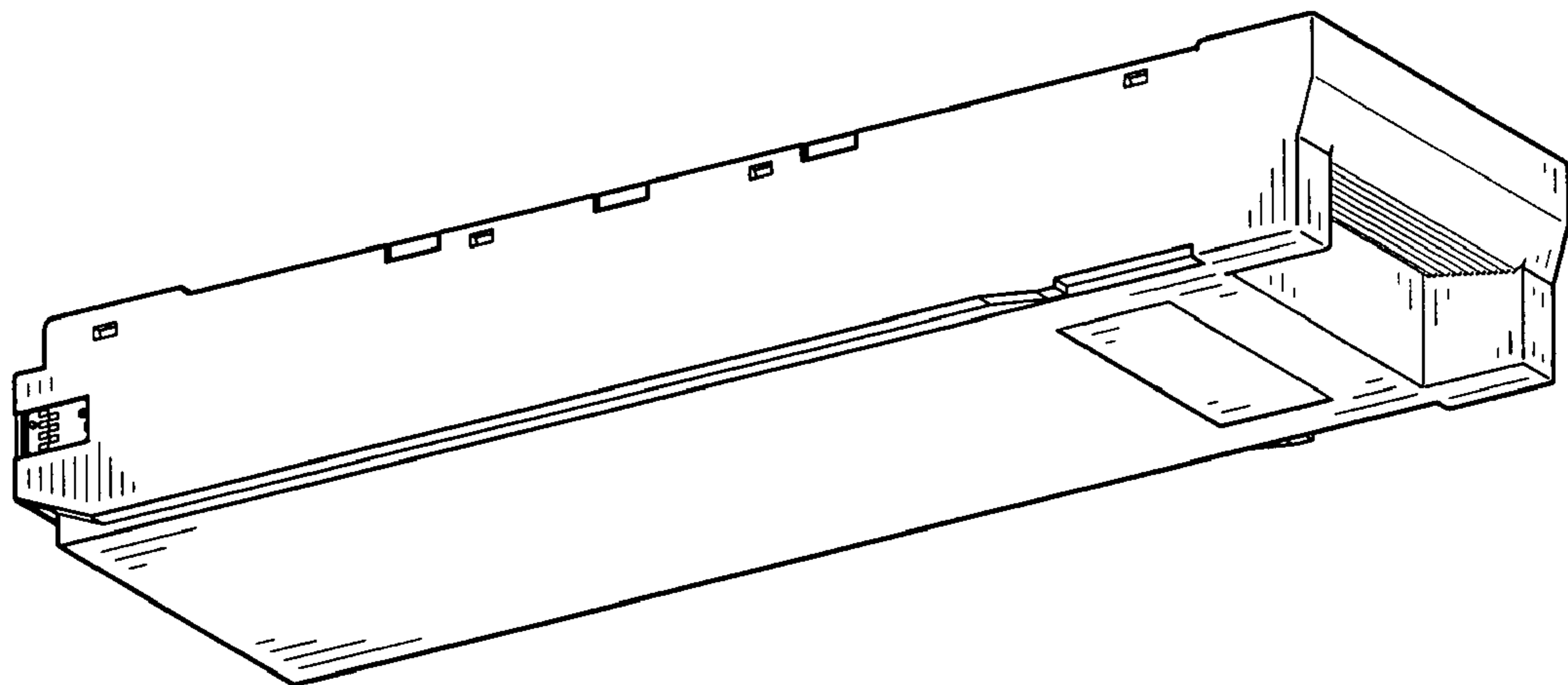


FIG. 2

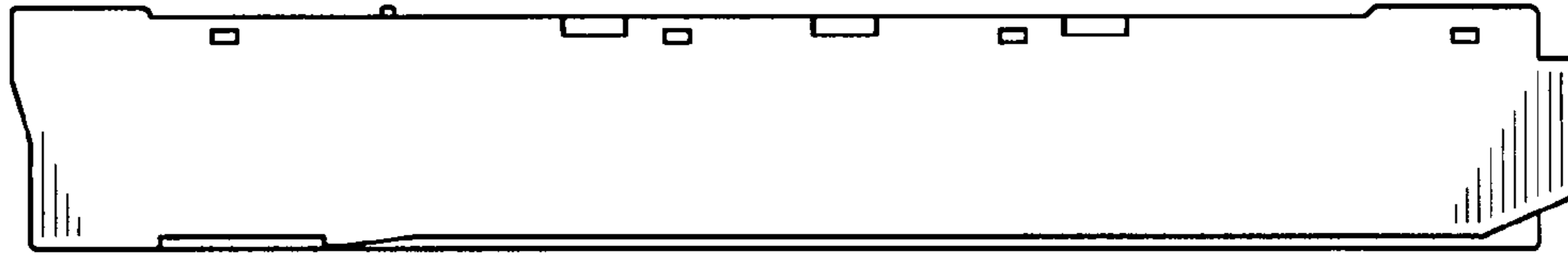


FIG. 3

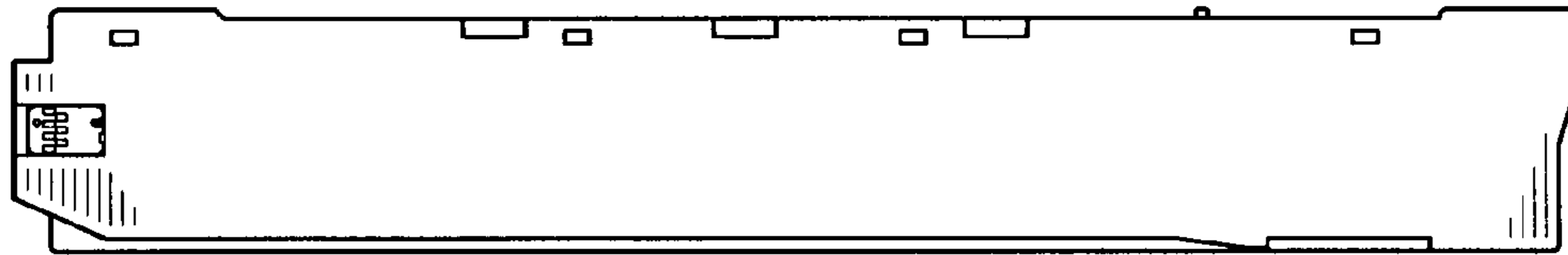


FIG. 4

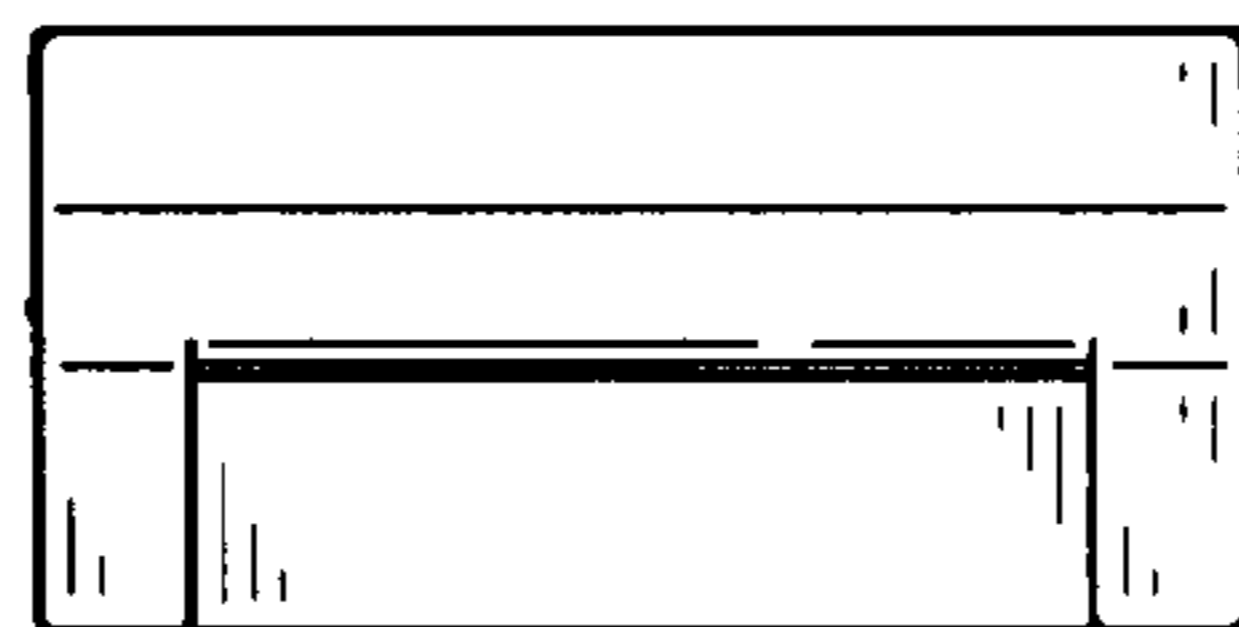


FIG. 5

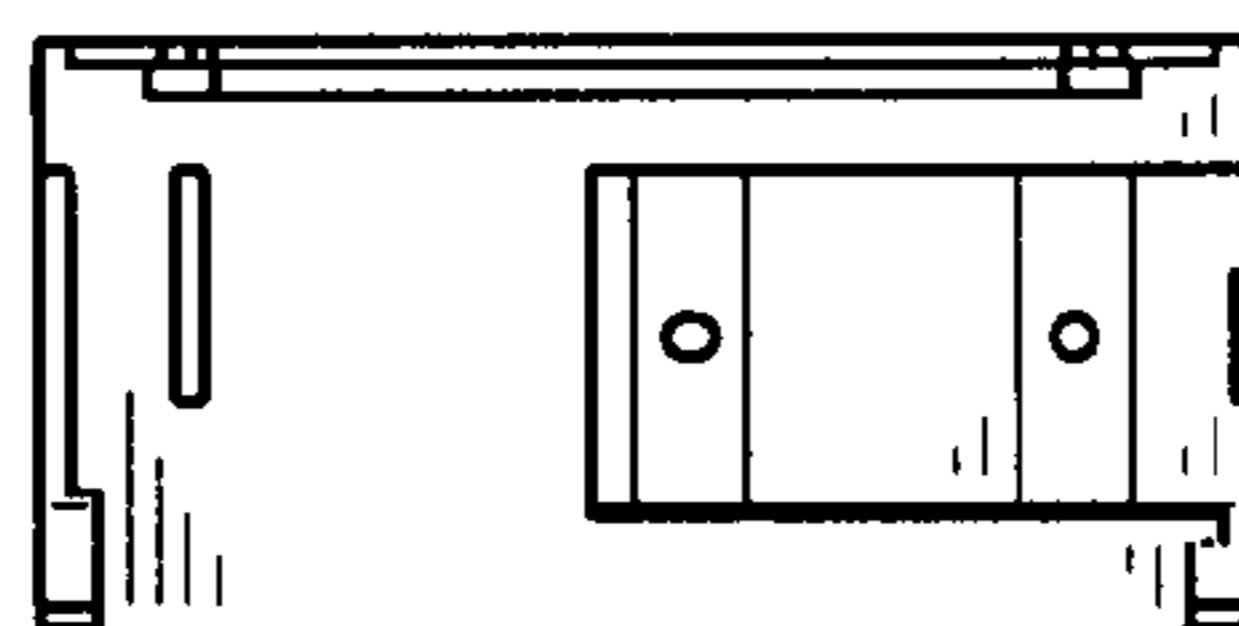


FIG. 6

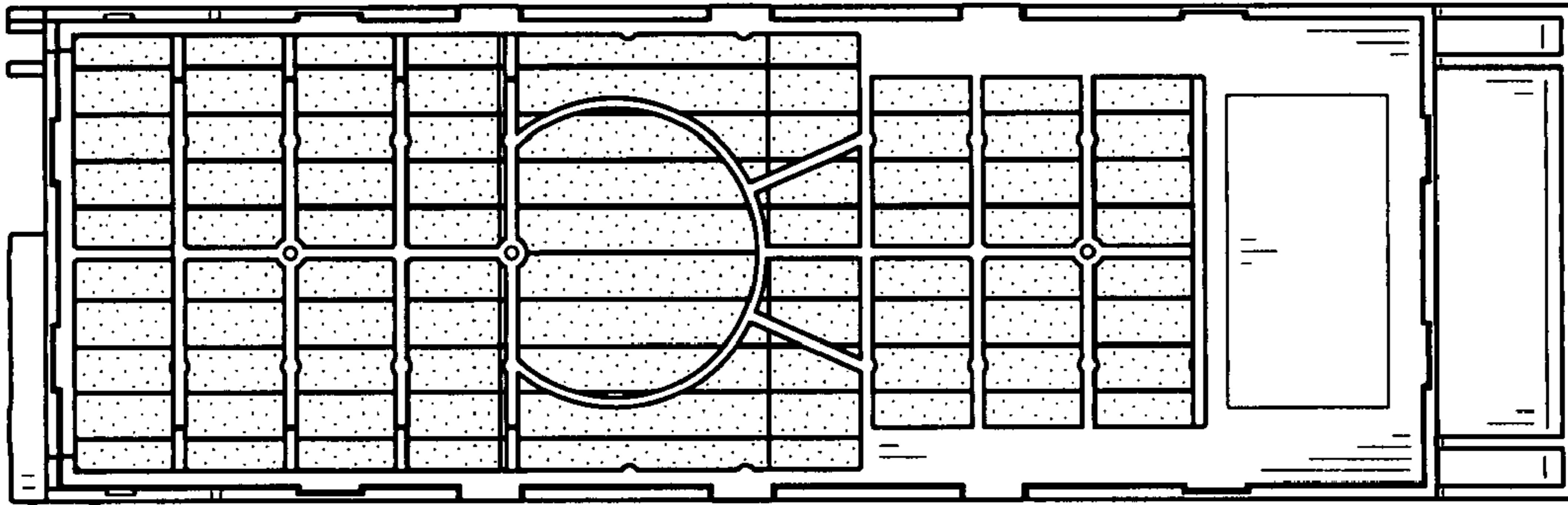


FIG. 7

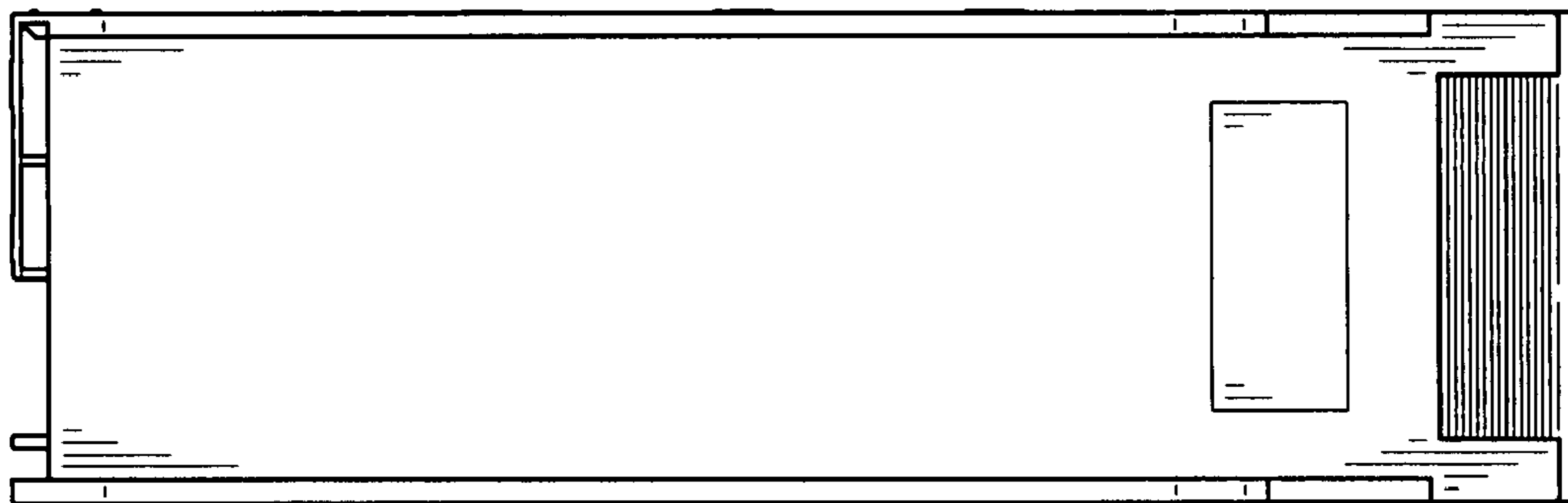


FIG. 8

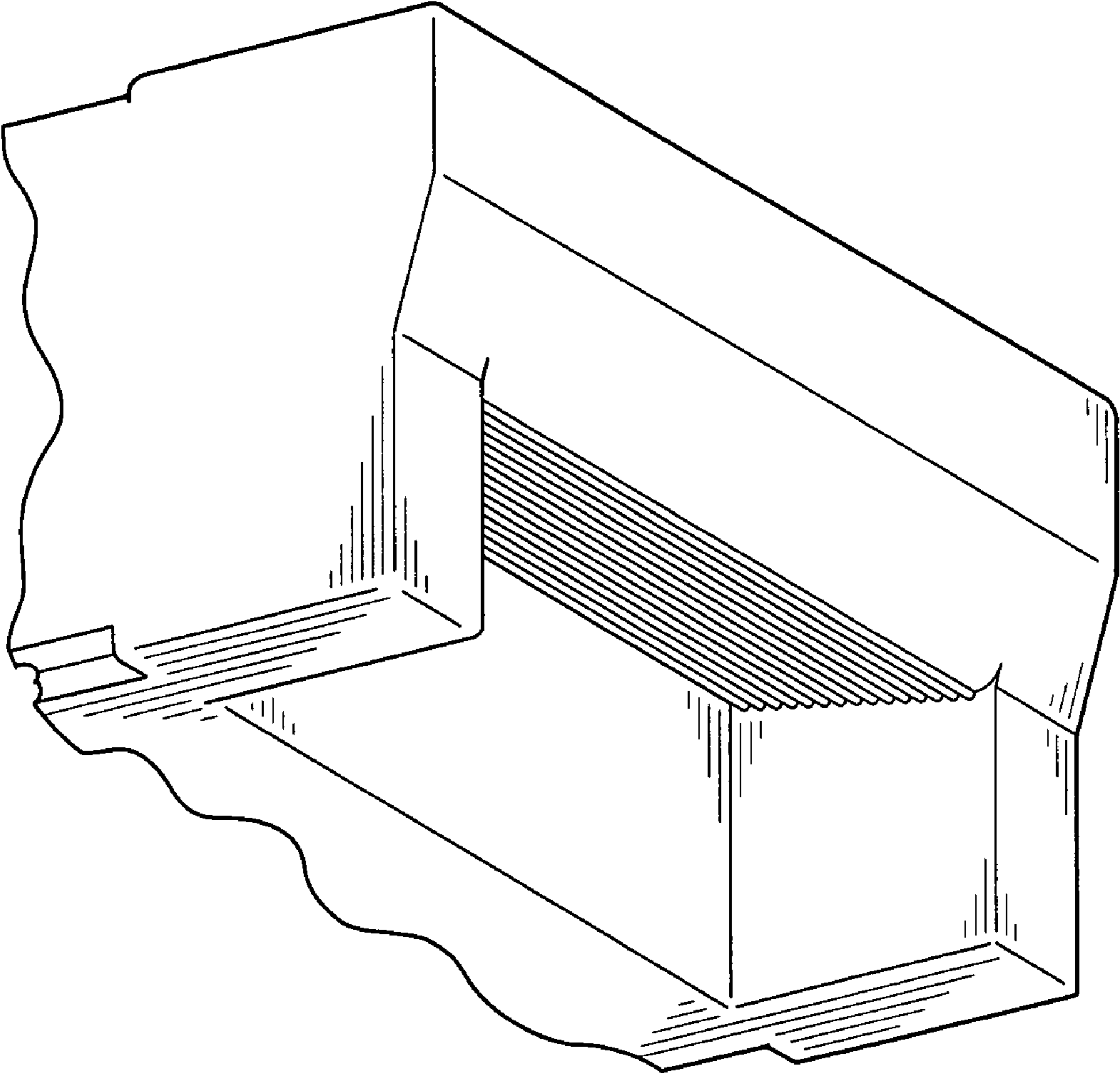


FIG.9