



US00D573178S

(12) **United States Design Patent**
Lee et al.

(10) **Patent No.:** **US D573,178 S**
(45) **Date of Patent:** **** Jul. 15, 2008**

(54) **LASER COMPLEX**

(75) Inventors: **Son-Young Lee**, Seoul (KR); **Jun-Won Bae**, Seoul (KR); **Bong-Uk Lim**, Seoul (KR)

(73) Assignee: **Samsung Electronics Co., Ltd.**, Suwon, Kyunggi-Do (KR)

(**) Term: **14 Years**

(21) Appl. No.: **29/273,431**

(22) Filed: **Mar. 6, 2007**

(51) **LOC (8) Cl.** **18-02**

(52) **U.S. Cl.** **D18/50**

(58) **Field of Classification Search** D18/4.4,
D18/36-39, 41, 50, 53, 54-55; D14/420,
D14/462-470; 400/613, 613.1-613.4, 690.1-690.4,
400/691-694

See application file for complete search history.

(56) **References Cited**

U.S. PATENT DOCUMENTS

D260,642 S *	9/1981	Collister et al.	D18/55
D284,864 S *	7/1986	Serikawa et al.	D18/36
D317,322 S *	6/1991	Richardson et al.	D18/54
D317,938 S *	7/1991	Komada et al.	D18/36
D326,867 S	6/1992	Kwak		
D357,933 S *	5/1995	Ishibashi et al.	D18/36
D359,506 S	6/1995	Lee		
D378,218 S	2/1997	Hong et al.		
D436,371 S *	1/2001	Shimamura	D18/50
D527,045 S	8/2006	Lim et al.		
D530,737 S	10/2006	Lim et al.		

D532,043 S	11/2006	Park et al.
D536,372 S	2/2007	Lim et al.
D551,700 S	9/2007	Park et al.
D552,170 S	10/2007	Kim et al.
D555,195 S	11/2007	Park et al.
D555,722 S	11/2007	Bae et al.

OTHER PUBLICATIONS

U.S. Appl. No. 29/269,898, Applicant: Son-Young Lee, et al., filed Dec. 11, 2006 entitled Laser Color Laser Printer.

U.S. Appl. No. 29/273,432, Applicant: Jun-Won Bae, et al., filed Mar. 6, 2007 entitled Laser Printer.

* cited by examiner

Primary Examiner—Cathy Anne MacCormac

(74) *Attorney, Agent, or Firm*—Flynn, Thiel, Boutell & Tanis, P.C.

(57) **CLAIM**

The ornamental design for a laser complex, as shown and described.

DESCRIPTION

FIG. 1 is a top front perspective view of a laser complex showing our new design;

FIG. 2 is a front elevational view thereof;

FIG. 3 is a rear elevational view thereof;

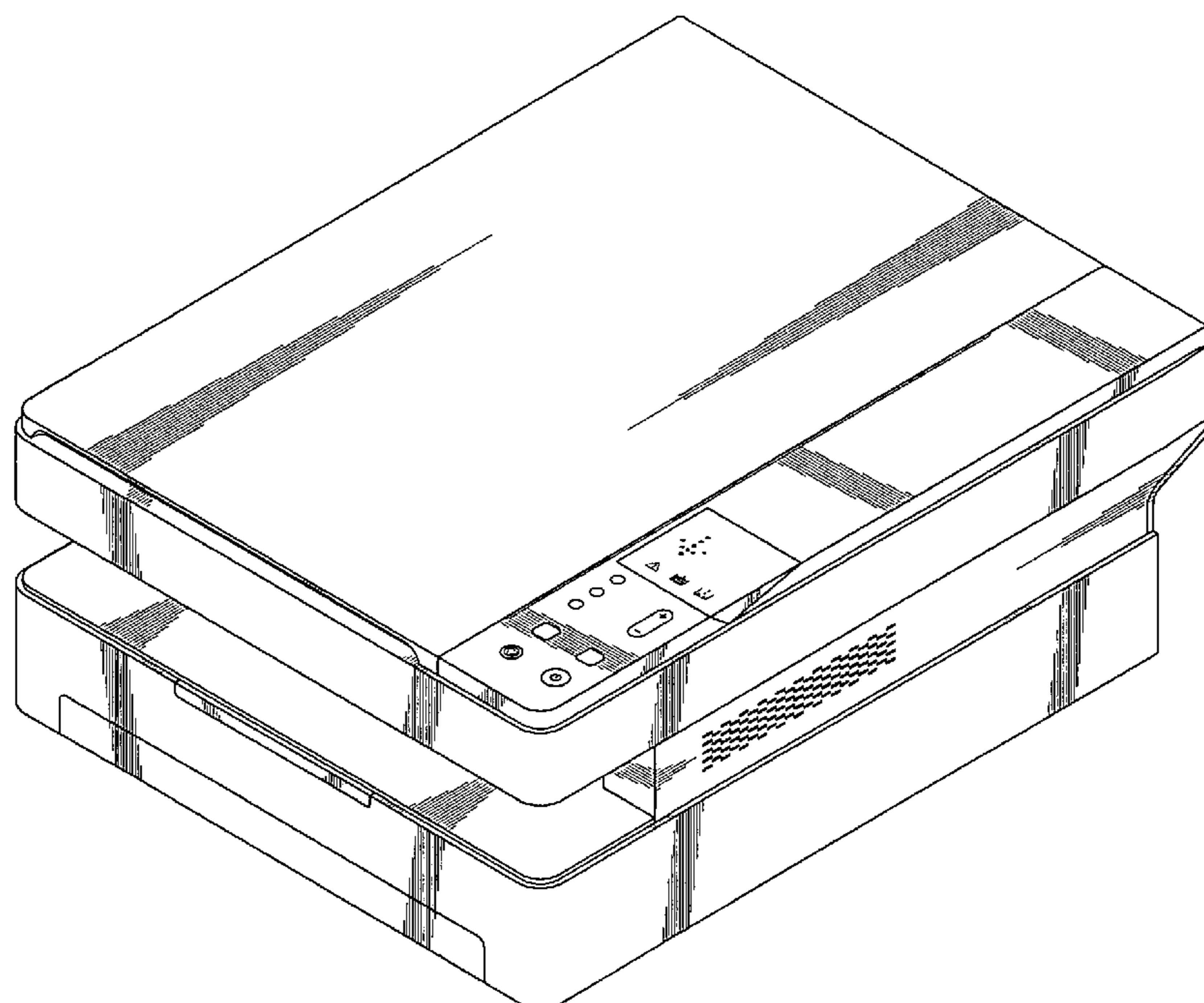
FIG. 4 is a left side elevational view thereof;

FIG. 5 is a right side elevational view thereof;

FIG. 6 is a top plan view thereof; and,

FIG. 7 is a bottom plan view thereof.

1 Claim, 5 Drawing Sheets



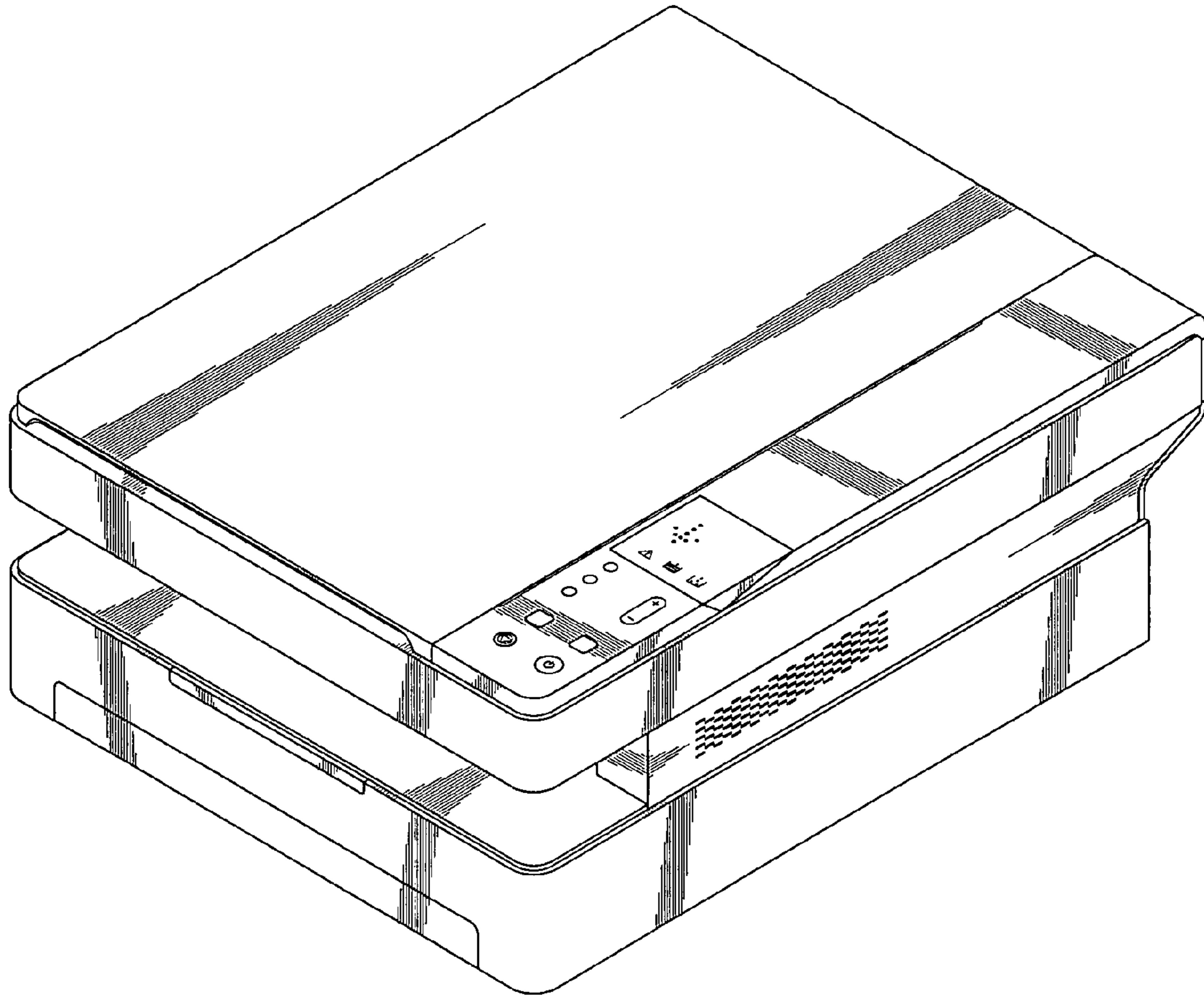


FIG. 1

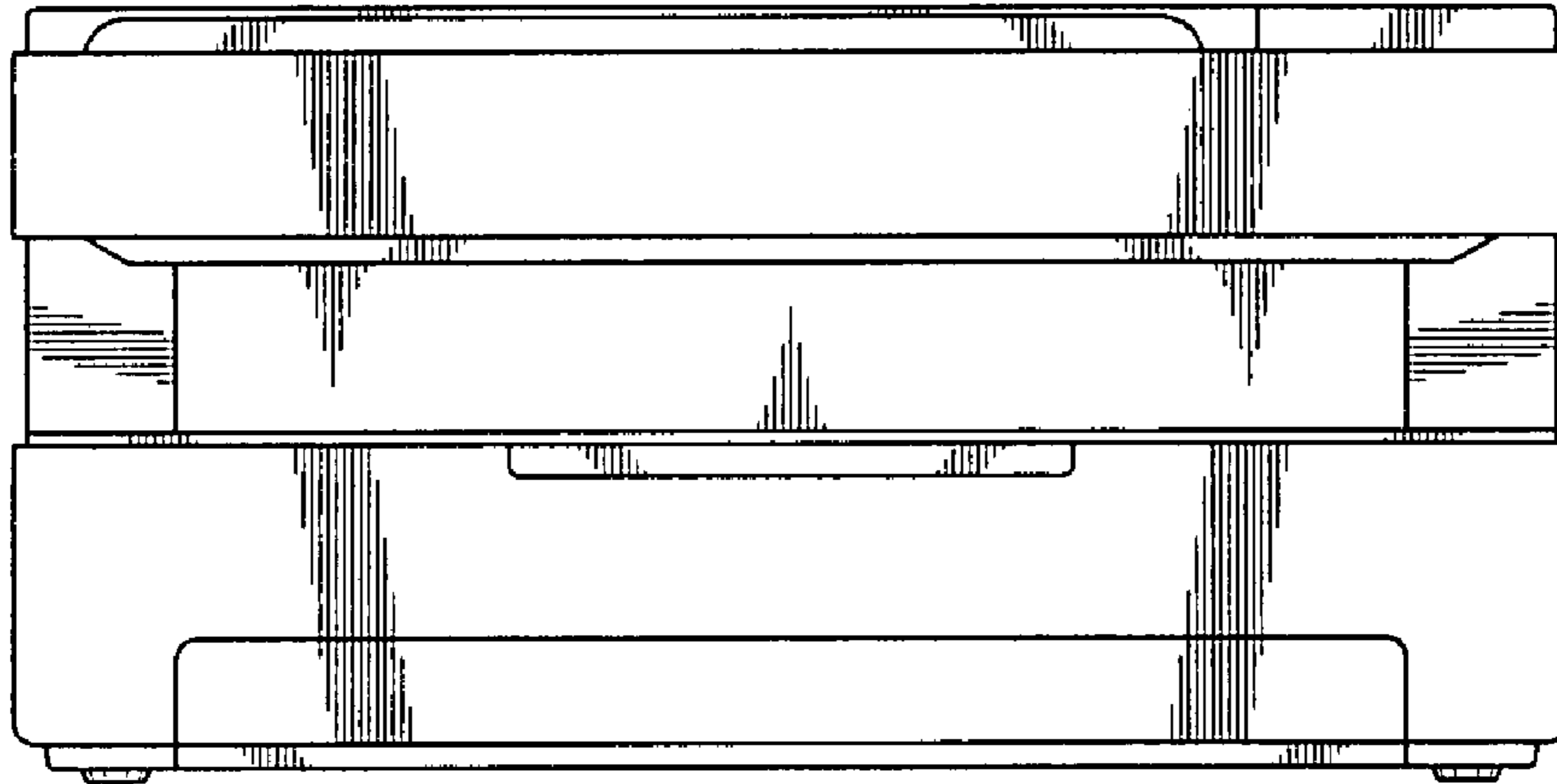


FIG. 2

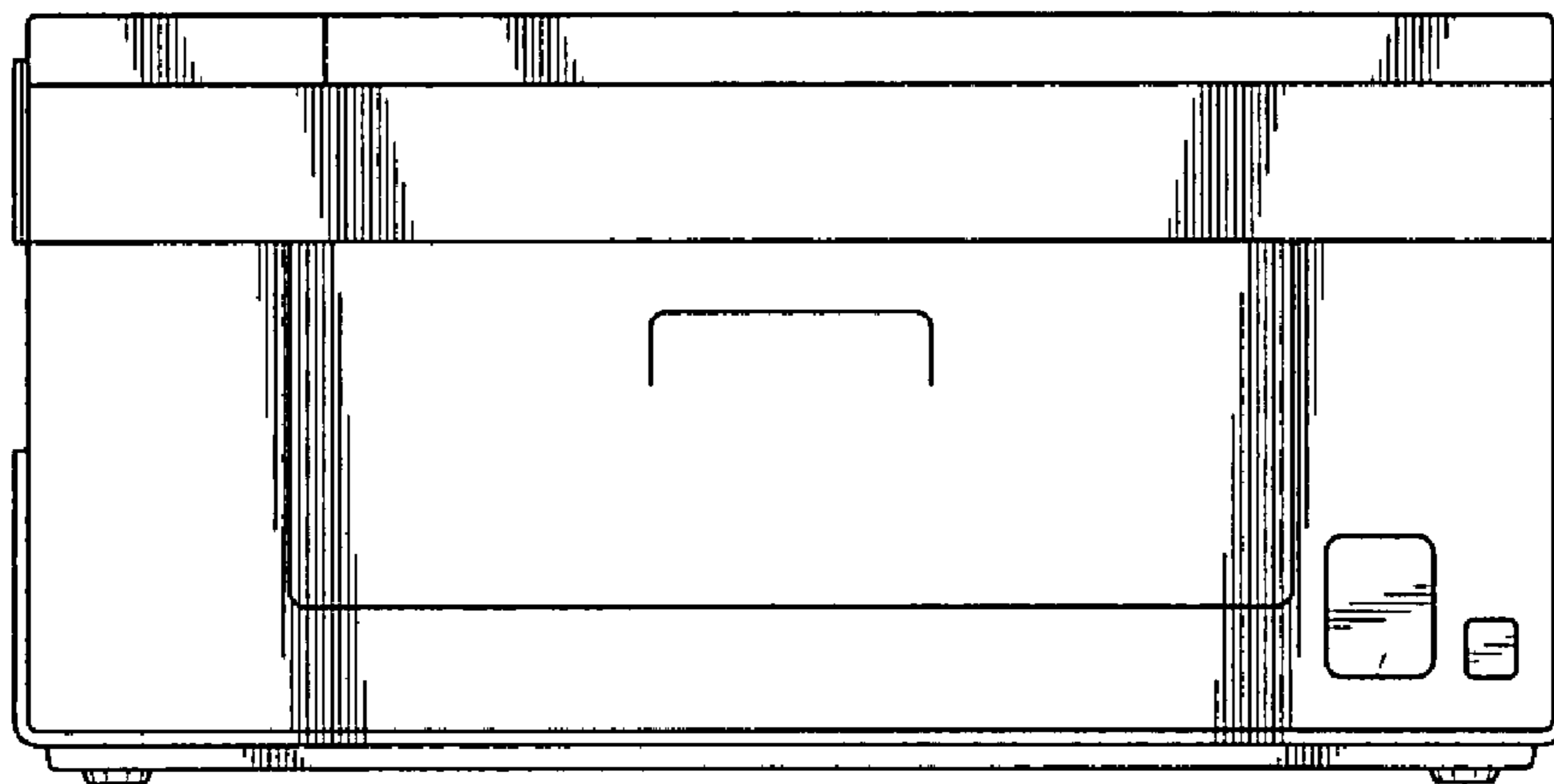


FIG. 3

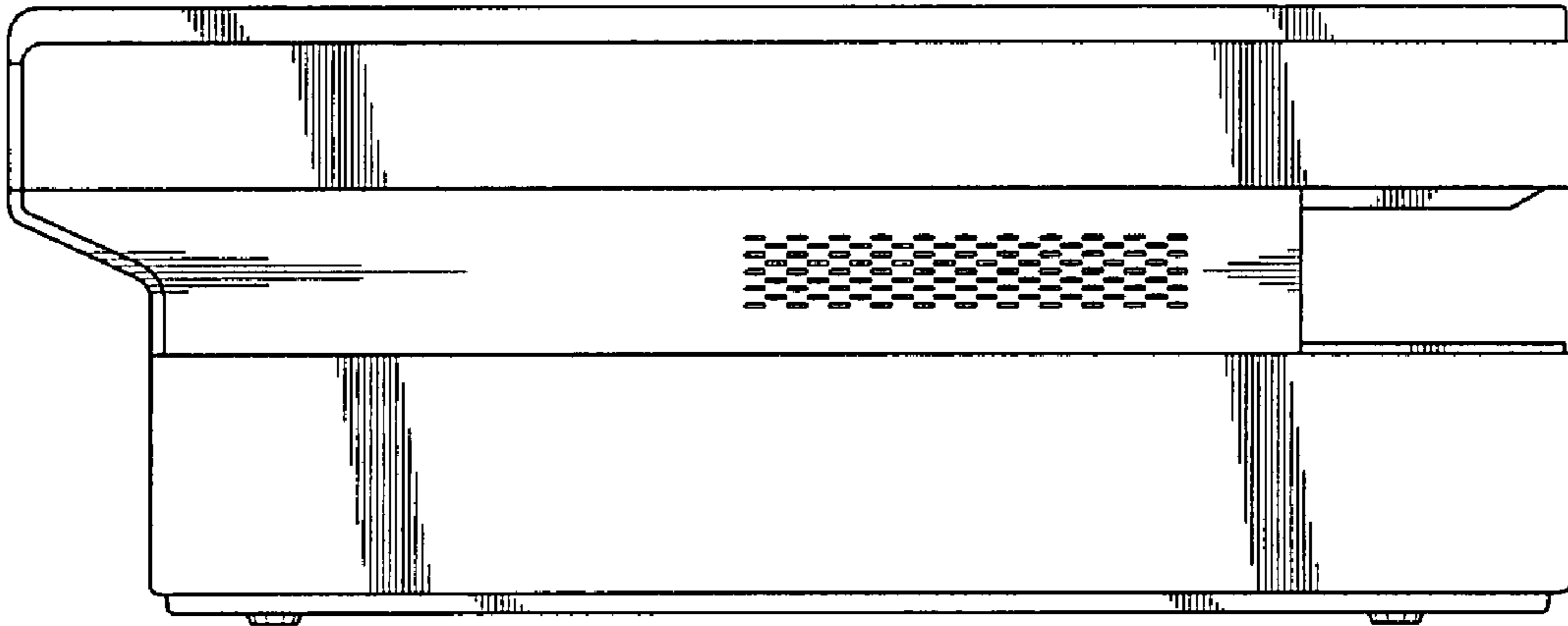


FIG. 4

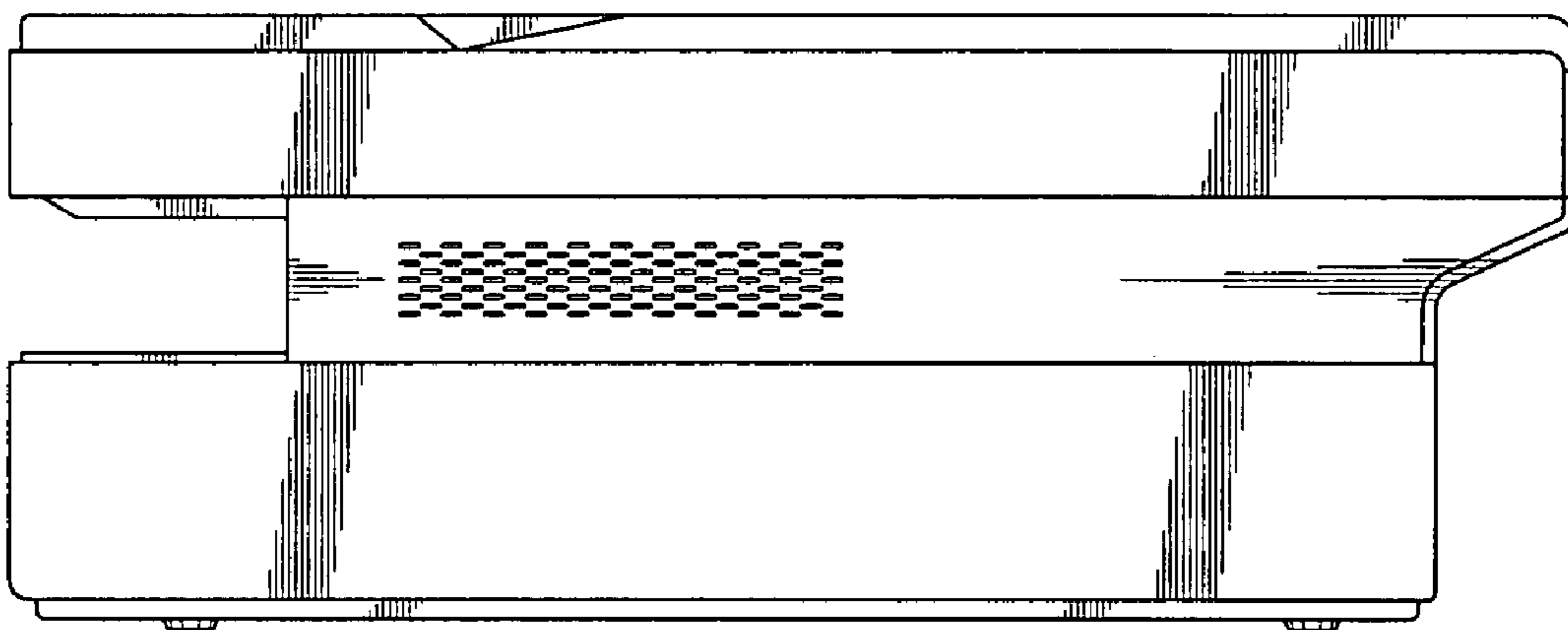


FIG. 5

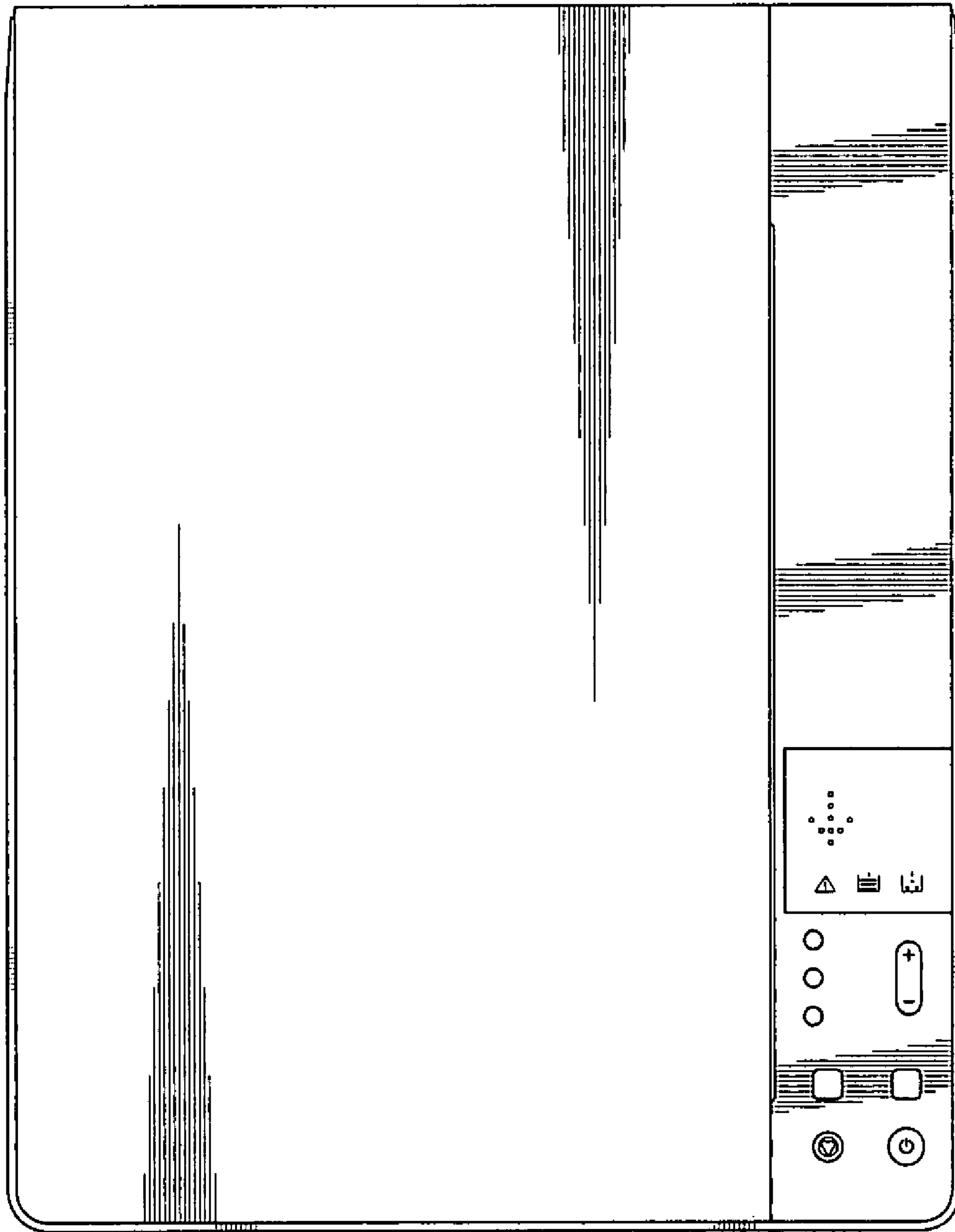


FIG. 6

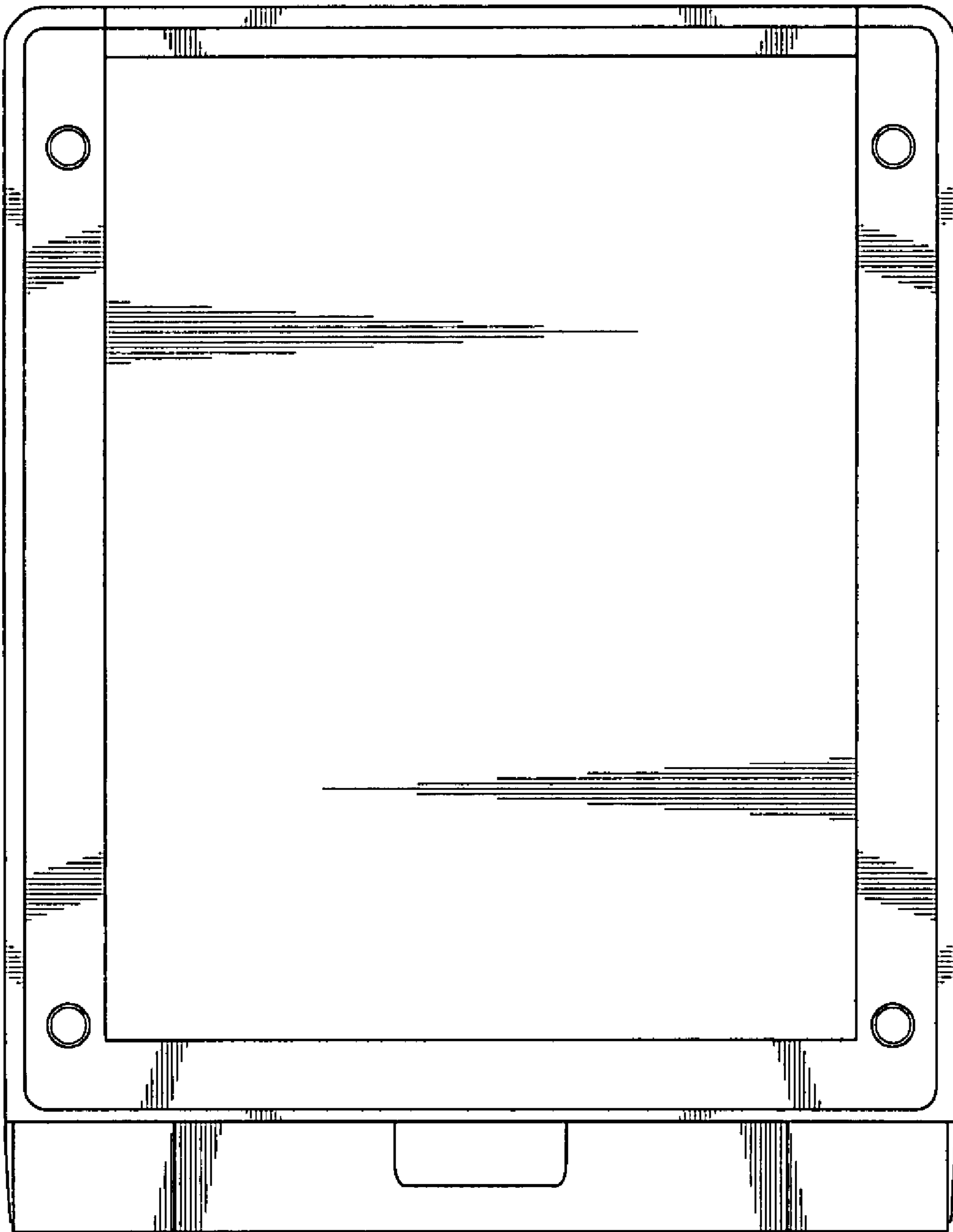


FIG. 7