



US00D573176S

(12) **United States Design Patent**
Isogai et al.

(10) **Patent No.:** **US D573,176 S**
(45) **Date of Patent:** **** Jul. 15, 2008**

(54) **ELECTRONIC COPYING MACHINE**

FOREIGN PATENT DOCUMENTS

(75) Inventors: **Yoshitaka Isogai**, Tokyo (JP); **Yu Iritani**, Tokyo (JP); **Shin Sugiura**, Wako (JP)

JP	D1256269	11/2005
JP	D1256270	11/2005
JP	D1256271	11/2005
JP	D1256272	11/2005
JP	D1256273	11/2005
JP	D1256274	11/2005
JP	D1256275	11/2005
JP	D1256425	11/2005
JP	D1256426	11/2005
JP	D1256919	11/2005
JP	D1256920	11/2005

(73) Assignee: **Konica Minolta Business Technologies, Inc.**, Chiyoda-Ku, Tokyo (JP)

(**) Term: **14 Years**

(21) Appl. No.: **29/265,731**

(22) Filed: **Sep. 8, 2006**

(30) **Foreign Application Priority Data**

Mar. 14, 2006	(JP)	2006-006400
Mar. 14, 2006	(JP)	2006-006401
Mar. 14, 2006	(JP)	2006-006402
Mar. 14, 2006	(JP)	2006-006403

* cited by examiner

Primary Examiner—Caron D. Veynar

Assistant Examiner—Garth Rademaker

(74) *Attorney, Agent, or Firm*—Buchanan Ingersoll & Rooney PC

(51) **LOC (8) Cl.** **16-03**

(52) **U.S. Cl.** **D18/39**

(58) **Field of Classification Search** D18/36–41,
D18/44–56; 355/97; 399/1–7, 16, 75, 81,
399/361, 365

See application file for complete search history.

(56) **References Cited**

U.S. PATENT DOCUMENTS

D426,259	S *	6/2000	Kabumoto et al.	D18/41
D458,958	S *	6/2002	Agata	D18/39
6,671,472	B2 *	12/2003	Shimizu et al.	399/16
6,819,891	B2 *	11/2004	Suzuki	399/81
D537,114	S *	2/2007	Gant et al.	D18/54
D537,475	S *	2/2007	Miller et al.	D18/49
D548,275	S *	8/2007	Ishio et al.	D18/39
D552,670	S *	10/2007	Watanabe et al.	D18/40
D554,698	S *	11/2007	Miller et al.	D18/55
7,298,979	B2 *	11/2007	Kitozaki	399/7
D558,262	S *	12/2007	Hong et al.	D18/50
D562,886	S *	2/2008	Egami et al.	D18/55
2008/0003010	A1 *	1/2008	Isogai et al.	399/81

(57) **CLAIM**

The ornamental design for an electronic copying machine, as shown and described.

DESCRIPTION

FIG. 1 is a top, front and left side perspective view of an electronic copying machine showing our new design;

FIG. 2 is a top, rear and left side perspective view thereof;

FIG. 3 is a top, front and right side perspective view thereof;

FIG. 4 is a top, rear and right side perspective view thereof;

FIG. 5 is a front elevational view thereof;

FIG. 6 is a rear elevational view thereof;

FIG. 7 is a top plan view thereof;

FIG. 8 is a bottom plan view thereof;

FIG. 9 is a right side view thereof;

FIG. 10 is a left side view thereof; and,

FIG. 11 is a top, front, and right side perspective view thereof, shown with the paper feeder trays and the document feeder opened.

The oblique shading designates surfaces which are translucent.

1 Claim, 10 Drawing Sheets

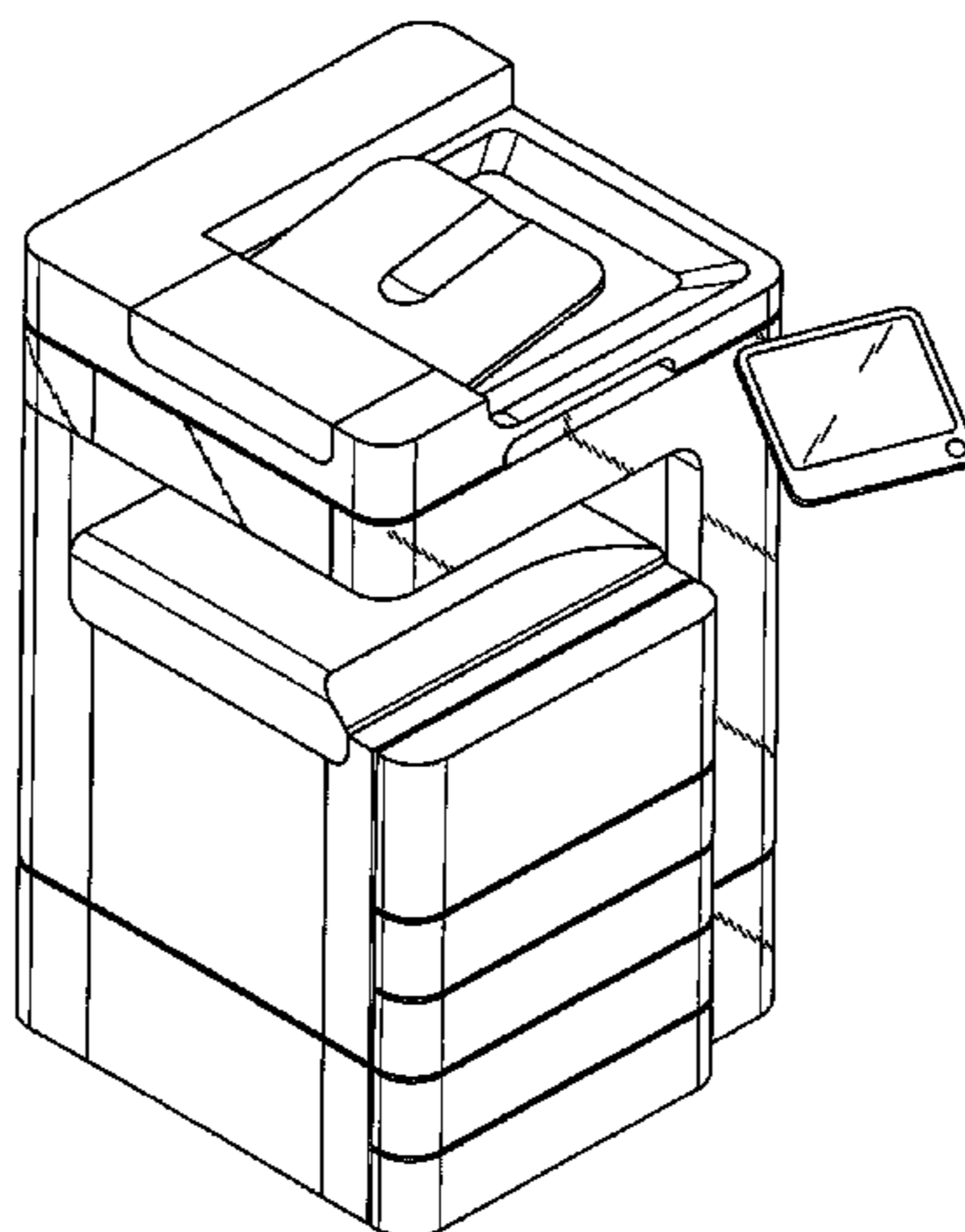


Fig. 1

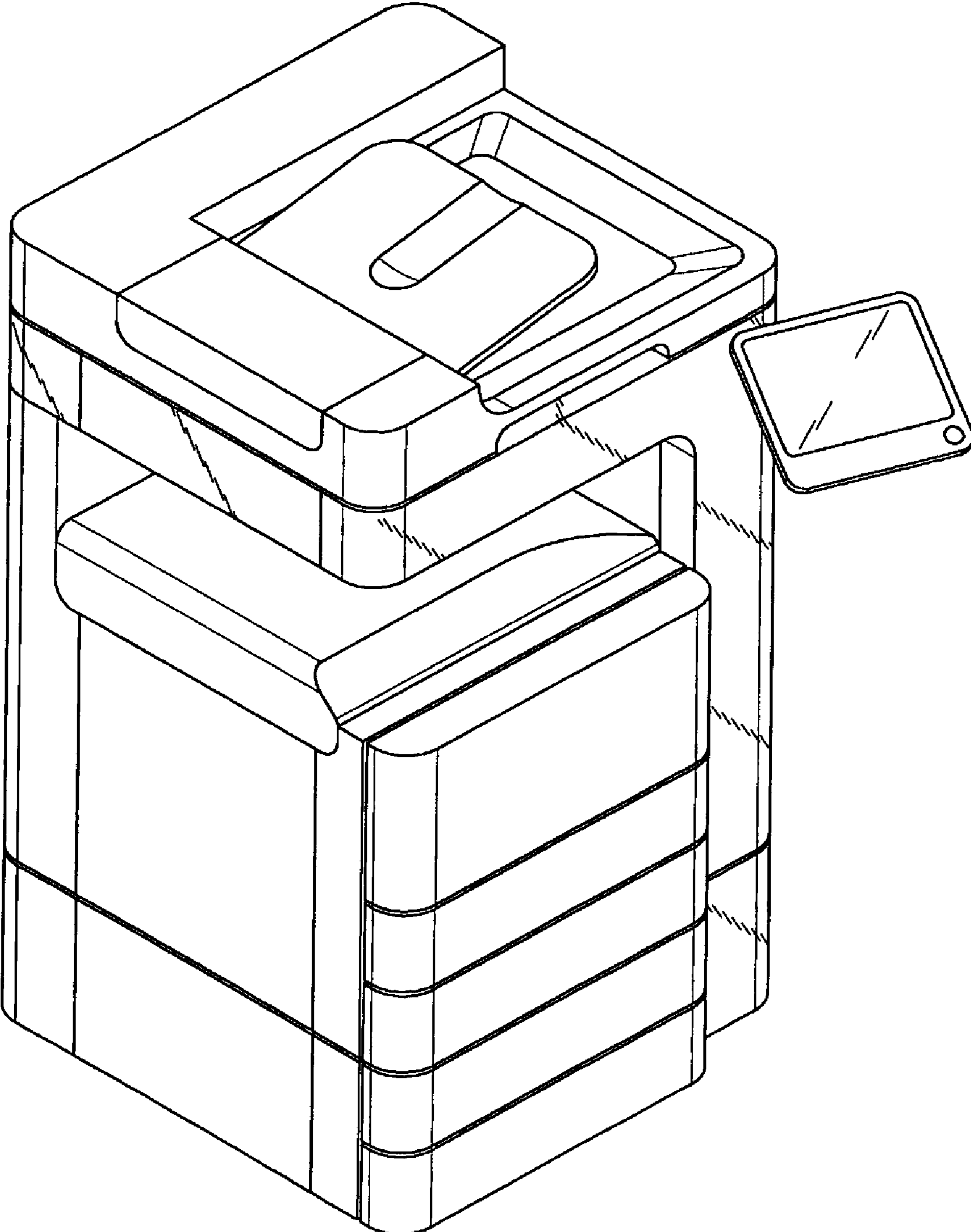


Fig. 2

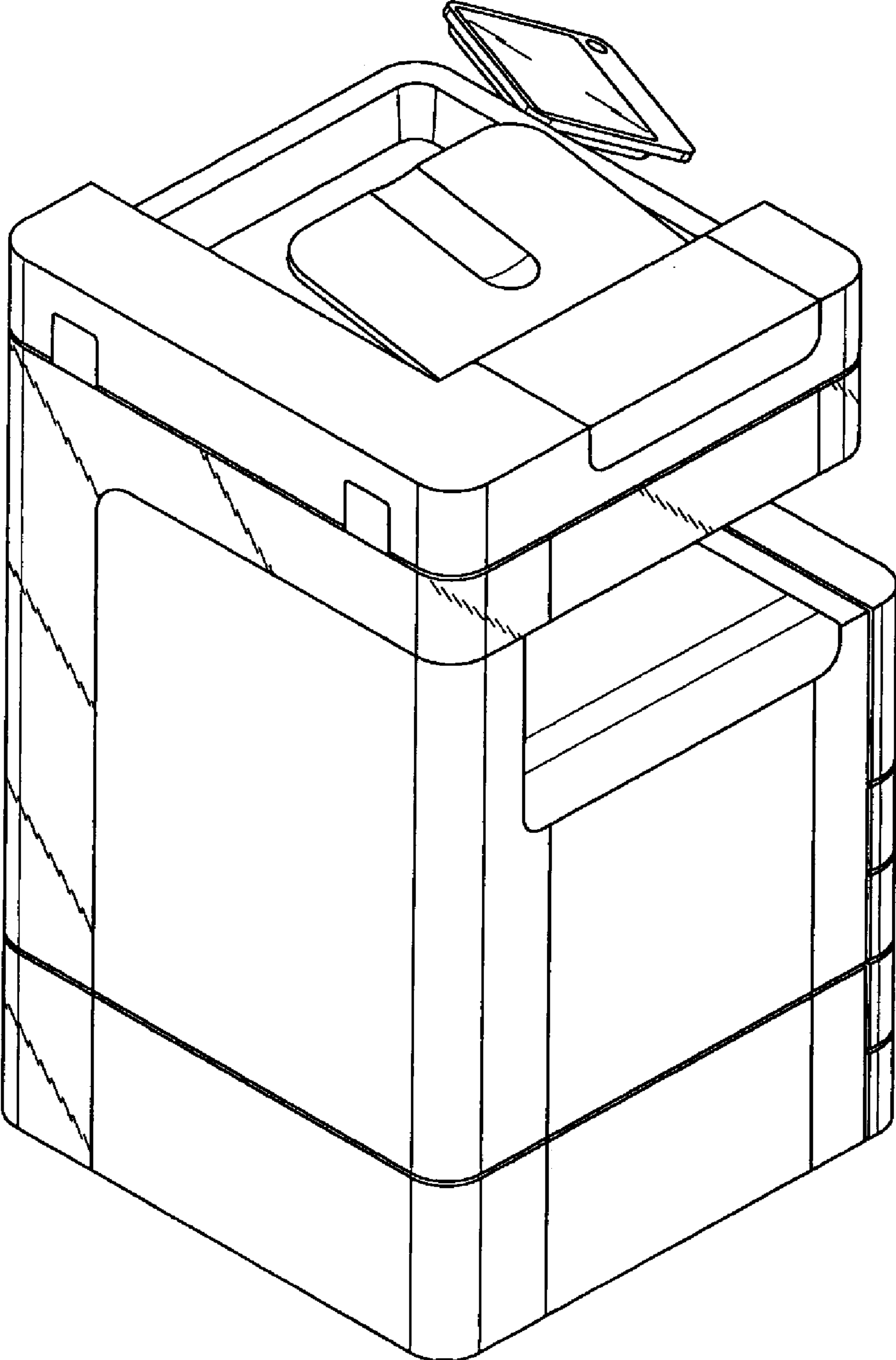


Fig. 3

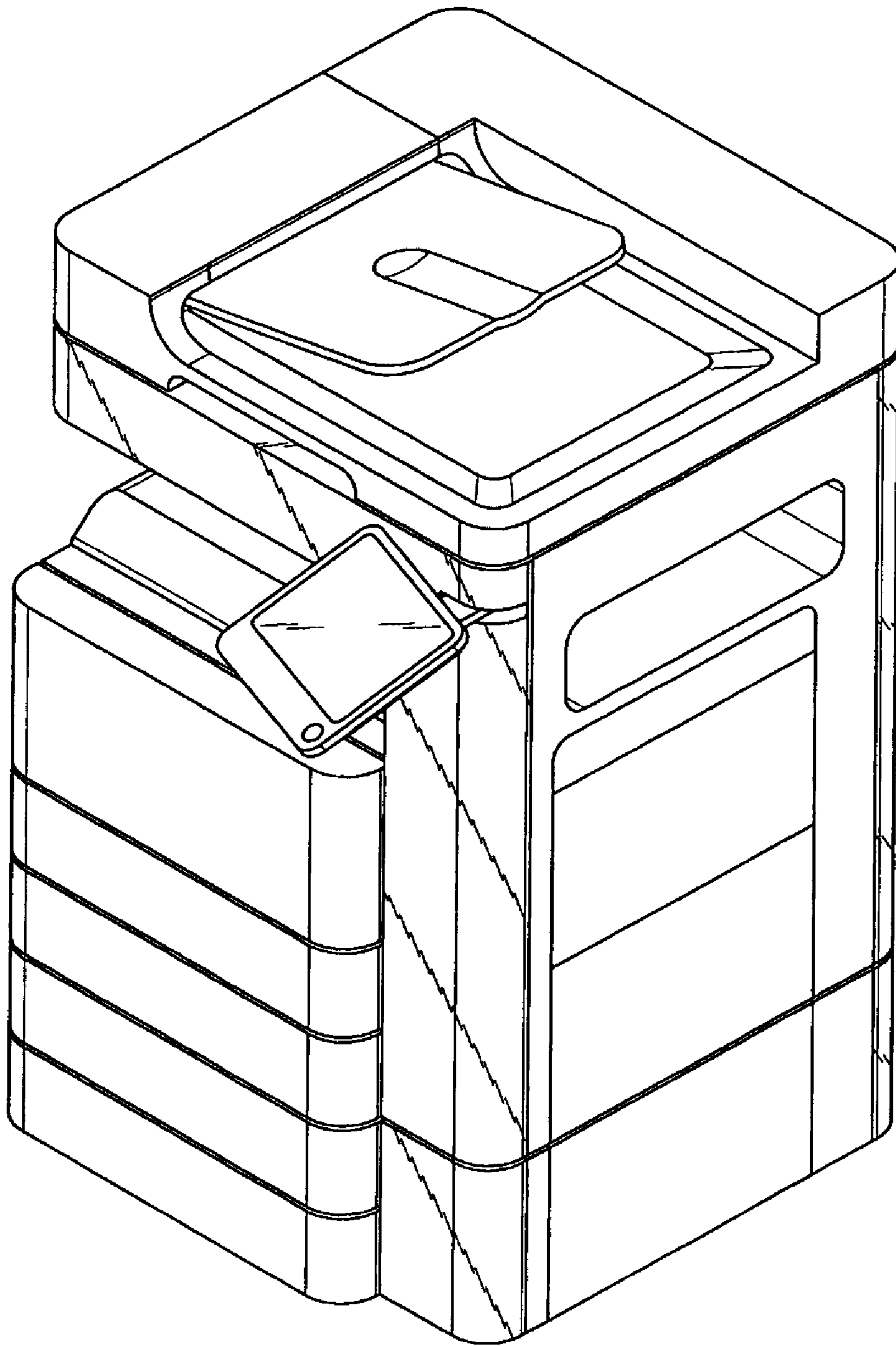


Fig. 4

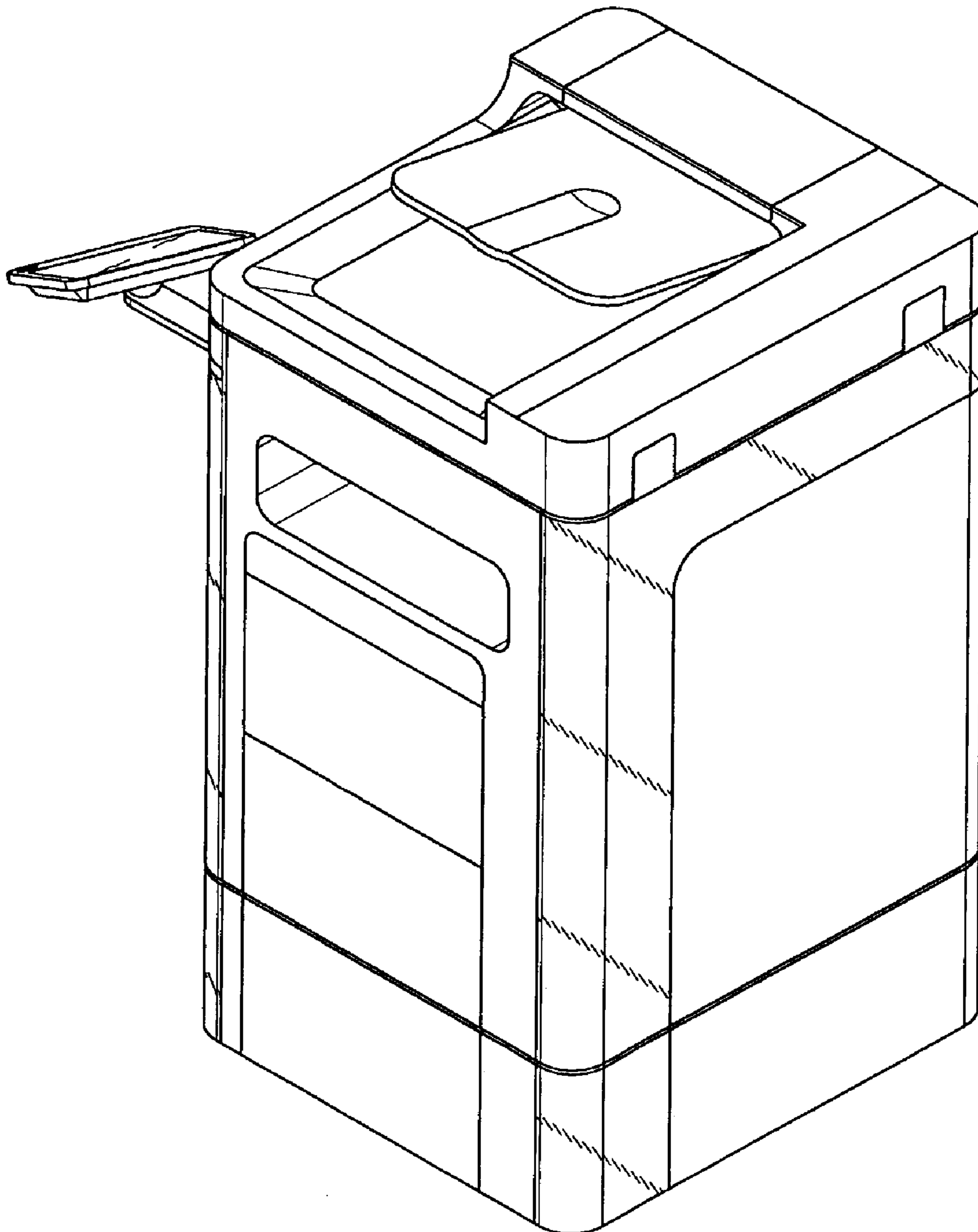


Fig. 5

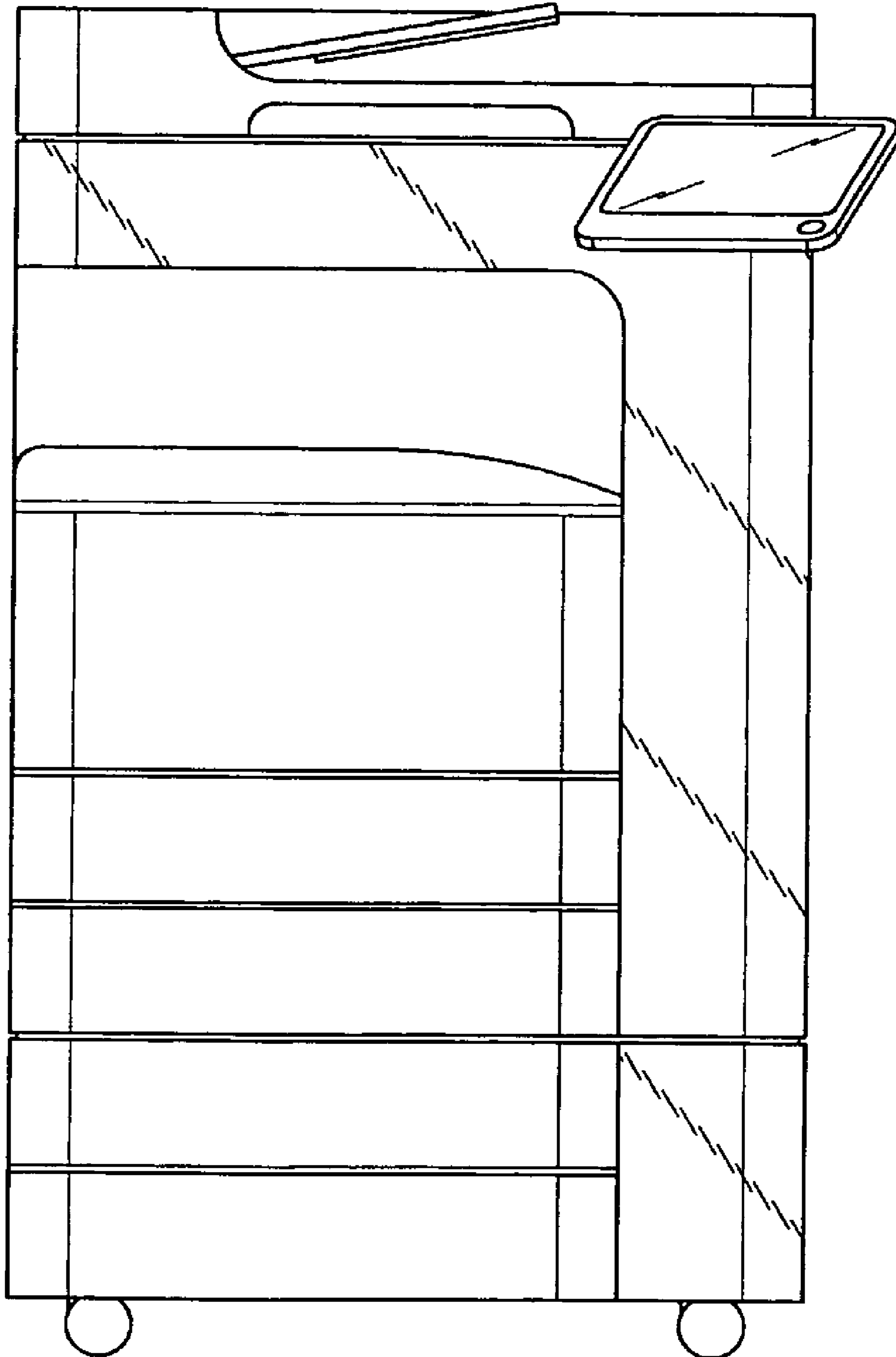


Fig. 6

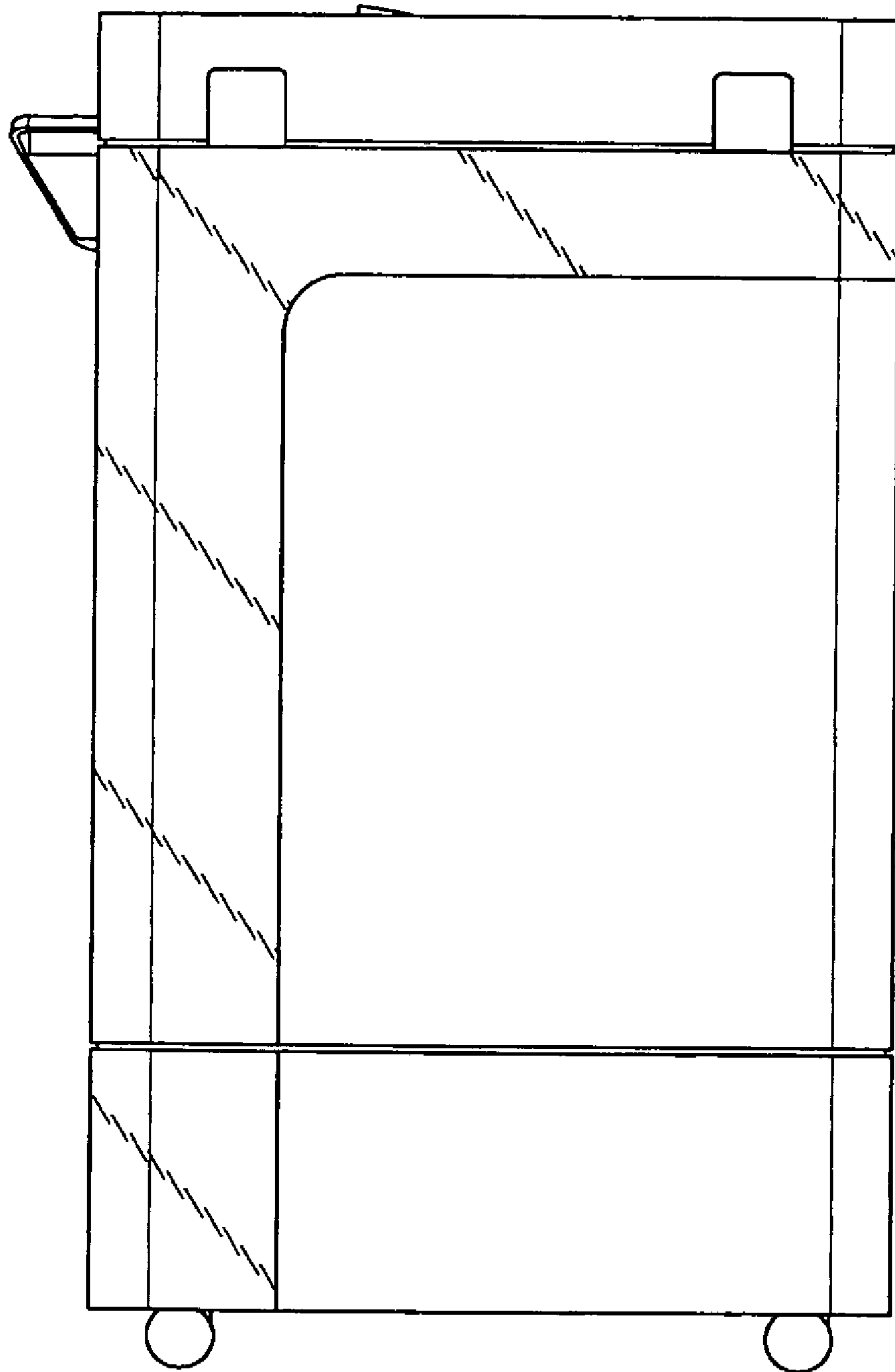


Fig. 7

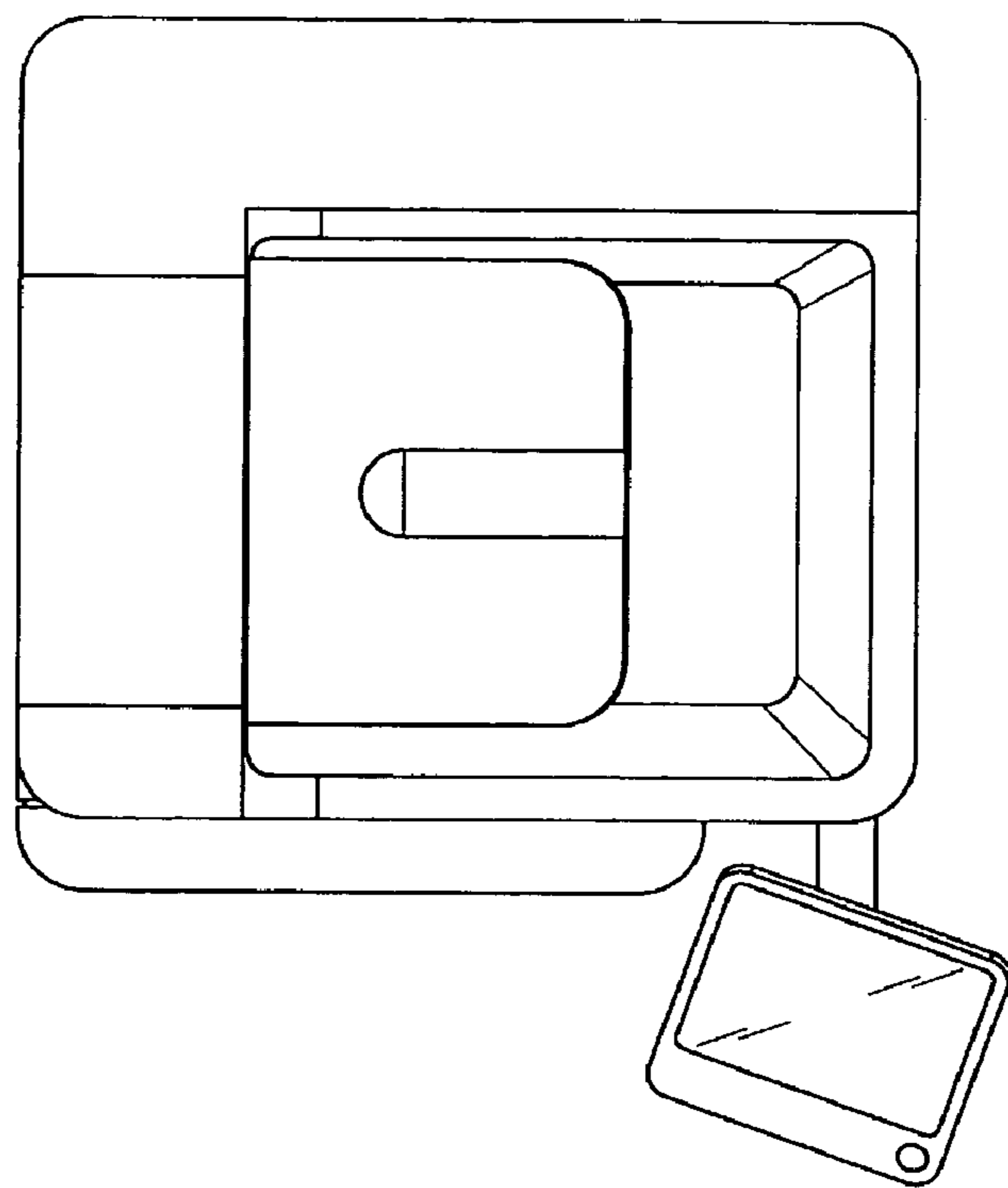


Fig. 8

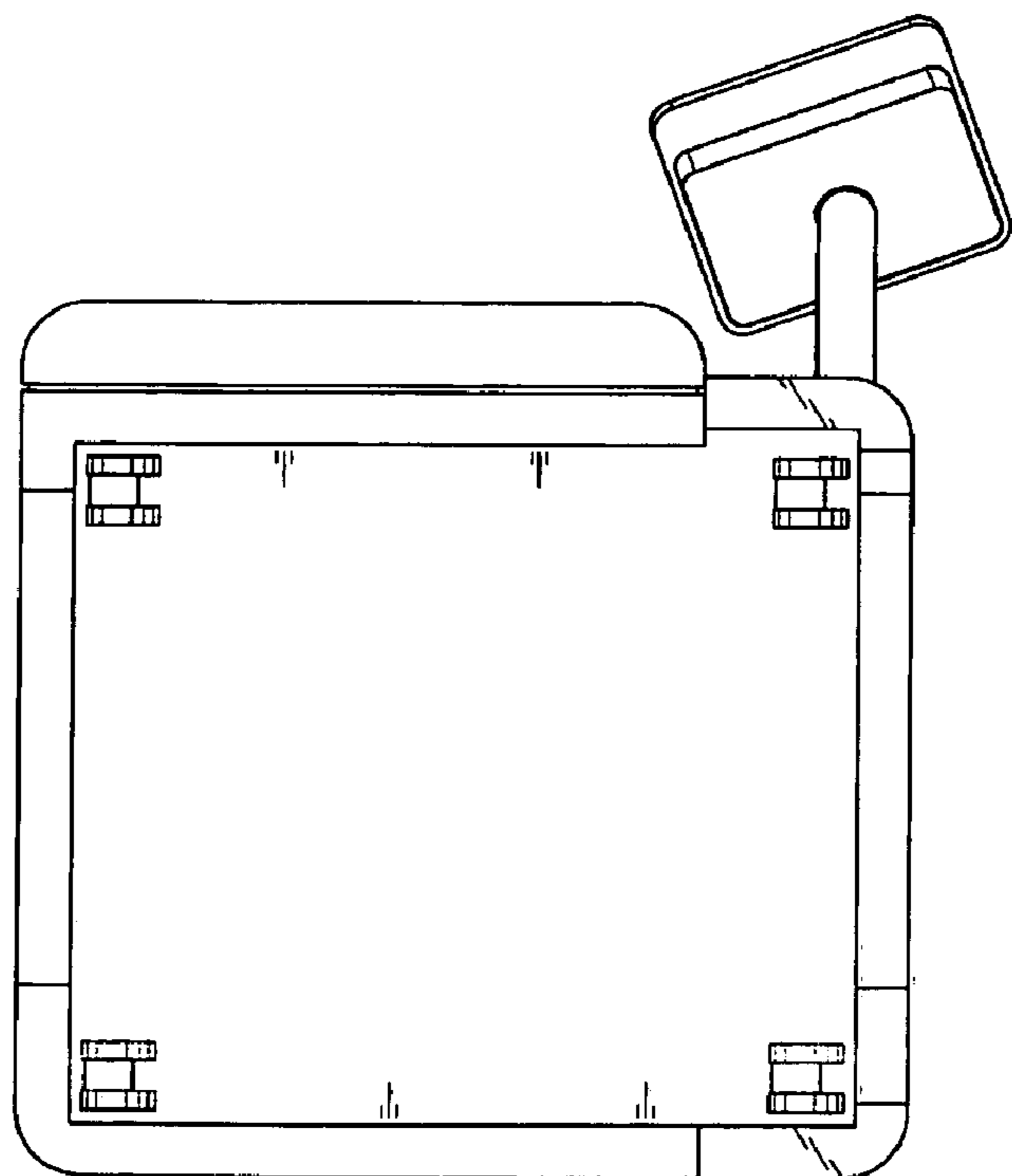


Fig. 9

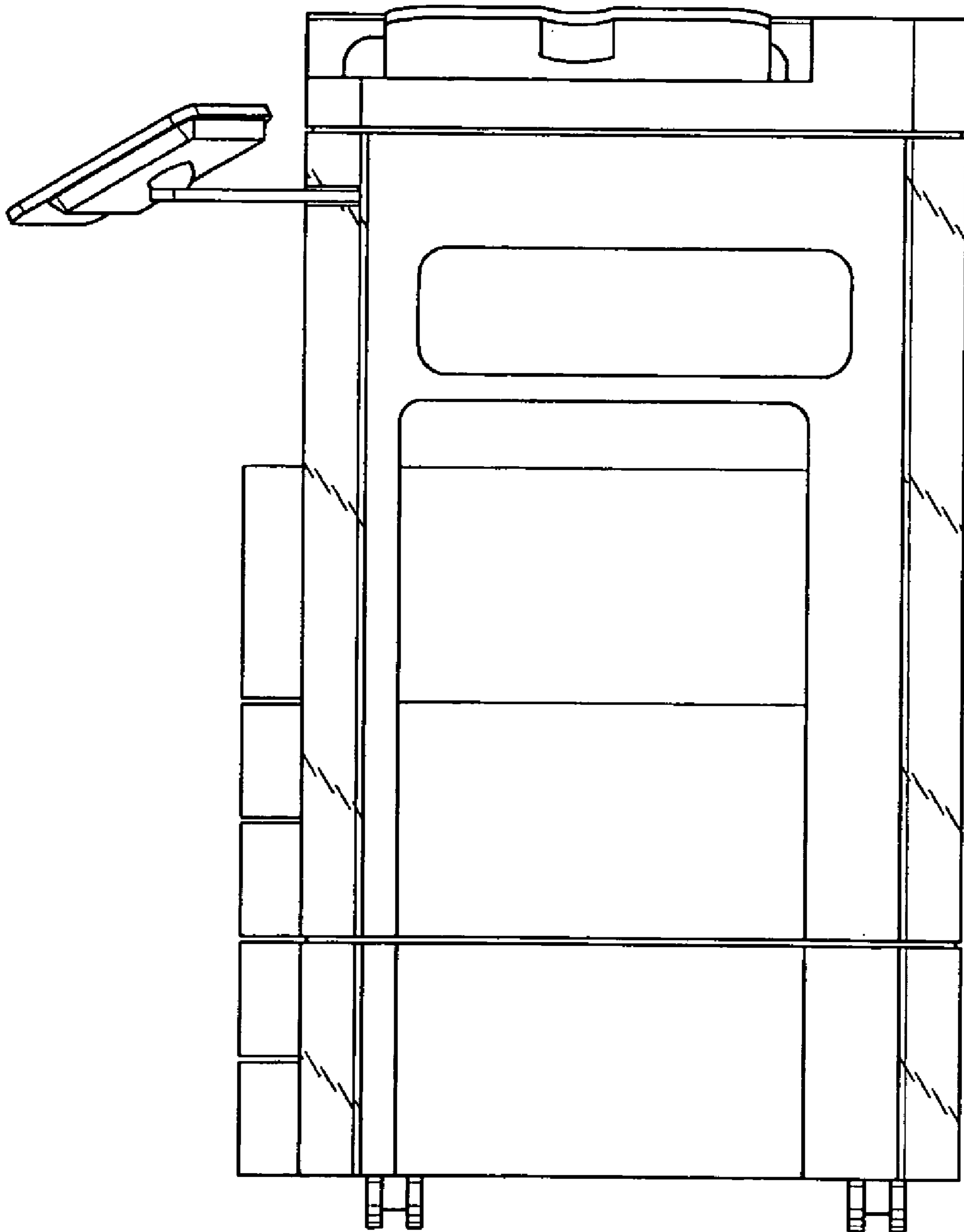


Fig. 10

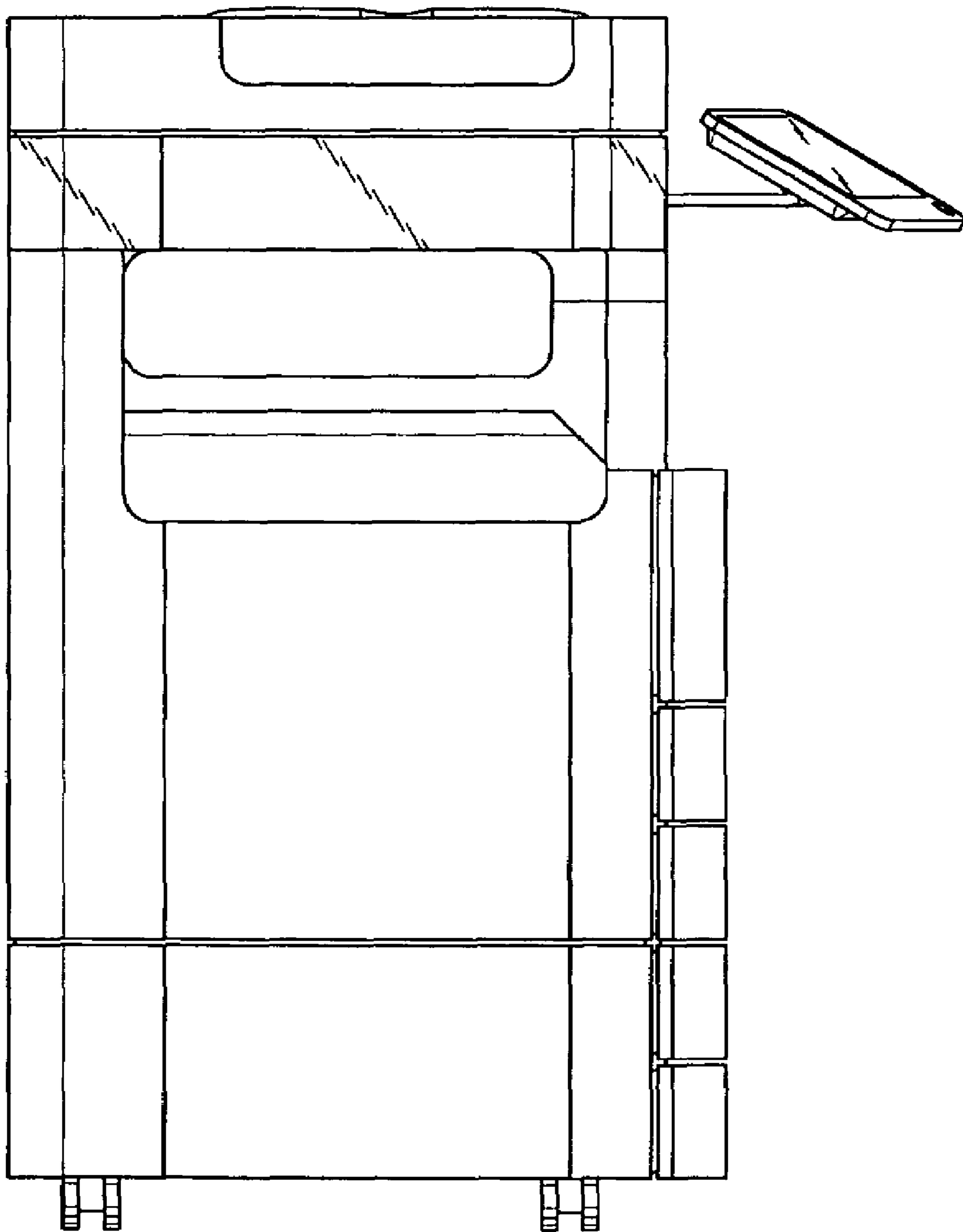


Fig. 11

