



US00D573169S

(12) **United States Design Patent**
Goto

(10) **Patent No.:** **US D573,169 S**
(45) **Date of Patent:** **** Jul. 15, 2008**

(54) **COMBINED CAMERA AND MICROPHONE**

D550,265 S * 9/2007 Goto D16/202
D554,628 S * 11/2007 Aoki D14/226

(75) Inventor: **Teiyu Goto**, Tokyo (JP)

FOREIGN PATENT DOCUMENTS

(73) Assignee: **Sony Computer Entertainment Inc.**,
Tokyo (JP)

JP 398853 7/2000
JP D1142204 S 5/2002
TW 335297 6/1998

(**) Term: **14 Years**

* cited by examiner

(21) Appl. No.: **29/272,603**

Primary Examiner—Ian Simmons

Assistant Examiner—Adir Aronovich

(22) Filed: **Feb. 13, 2007**

(74) *Attorney, Agent, or Firm*—Rader, Fishman & Grauer,
PLLC

(30) **Foreign Application Priority Data**

Sep. 21, 2006 (JP) D2006-025316

(57) **CLAIM**

(51) **LOC (8) Cl.** **16-01**

The ornamental design for a combined camera and microphone, as shown and described.

(52) **U.S. Cl.** **D16/208; D14/226**

(58) **Field of Classification Search** D14/225–228;
D16/200–204, 208, 219; 181/158, 242; 352/1,
352/12; 348/373, 375

DESCRIPTION

See application file for complete search history.

FIG. 1 is a front elevational view of a combined camera and microphone showing my new design;

FIG. 2 is a rear elevational view thereof;

(56) **References Cited**

U.S. PATENT DOCUMENTS

1,678,842 A * 7/1928 Aiken 181/242
2,857,013 A * 10/1958 Orso 181/242
3,027,423 A * 3/1962 Reinthaler D14/228
3,414,686 A * 12/1968 Reinthaler 181/242
D292,701 S * 11/1987 Drever D14/228
D418,513 S 1/2000 Suzuki et al.
D475,070 S 5/2003 Ogura
D478,108 S 8/2003 Miyazaki
D489,057 S 4/2004 Obata et al.
D502,196 S 2/2005 Miyazaki

FIG. 3 is a right side elevational view thereof, an undisclosed left side view being a mirror image thereof;

FIG. 4 is a top plan view thereof;

FIG. 5 is a bottom plan view thereof; and,

FIG. 6 is a perspective view thereof.

The portions of the design shown in broken lines are for illustrative purposes only and form no part of the claimed design. The dot-dash broken lines which define the boundaries of the claimed design form no part thereof.

1 Claim, 6 Drawing Sheets

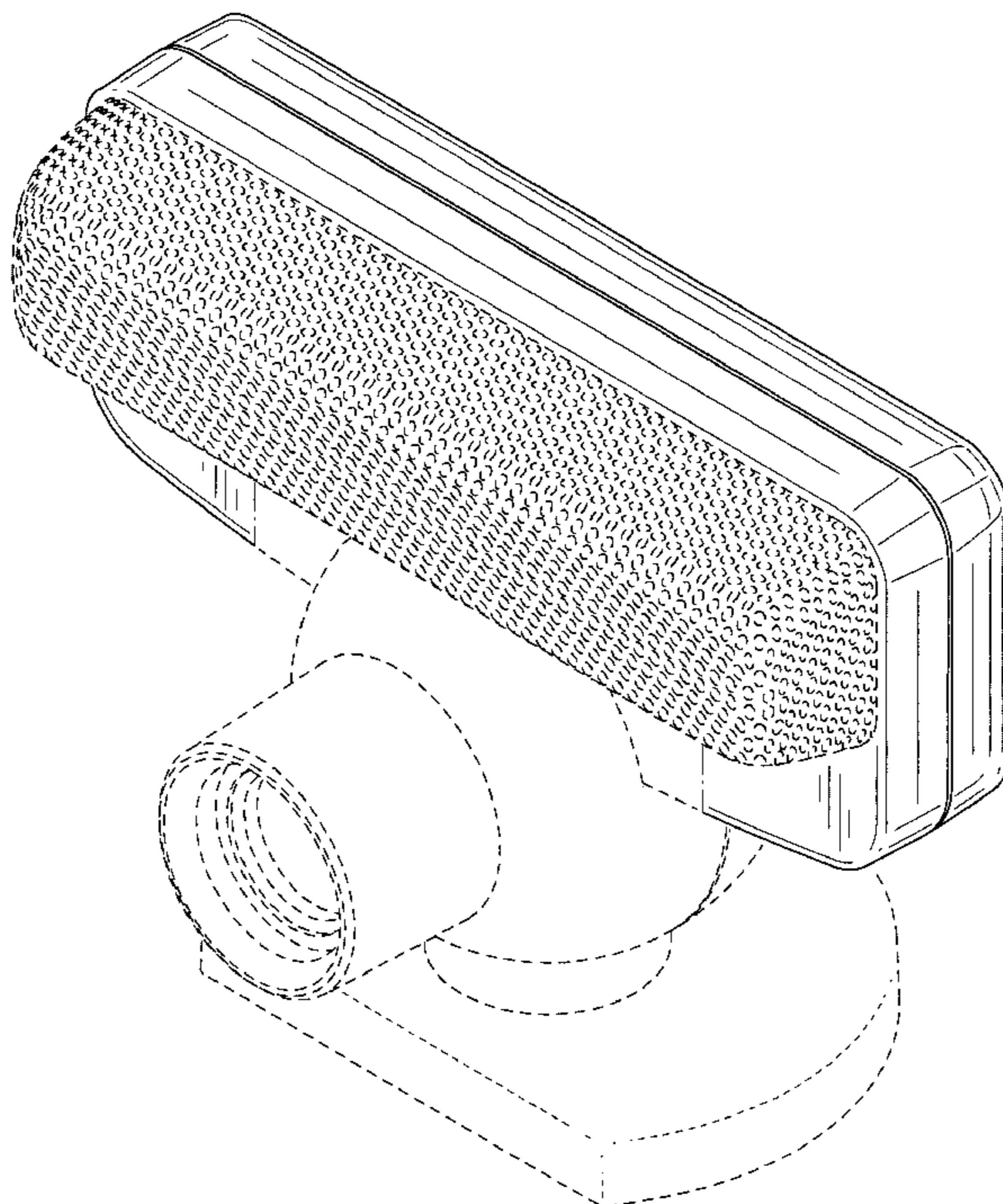


Fig.1

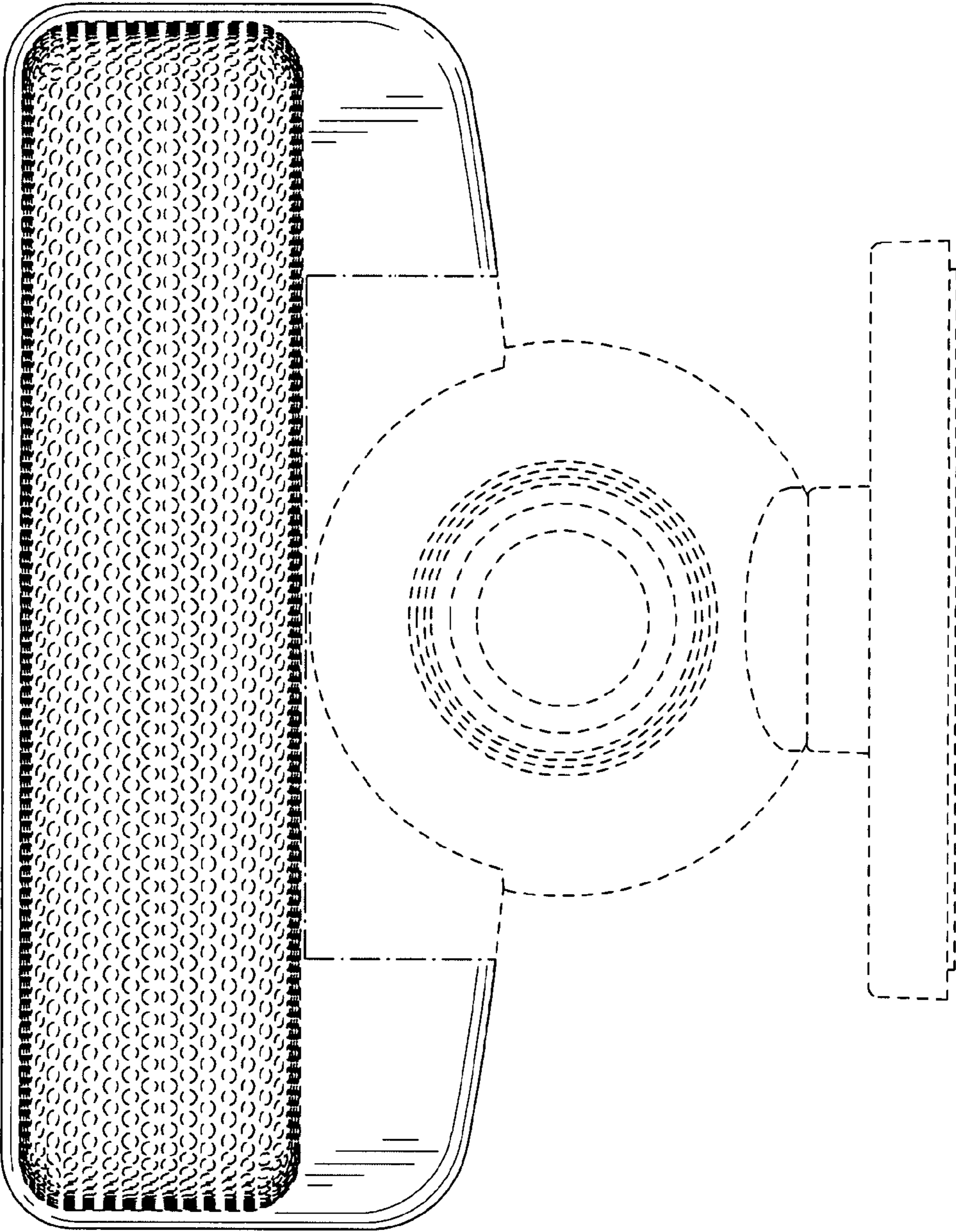


Fig.2

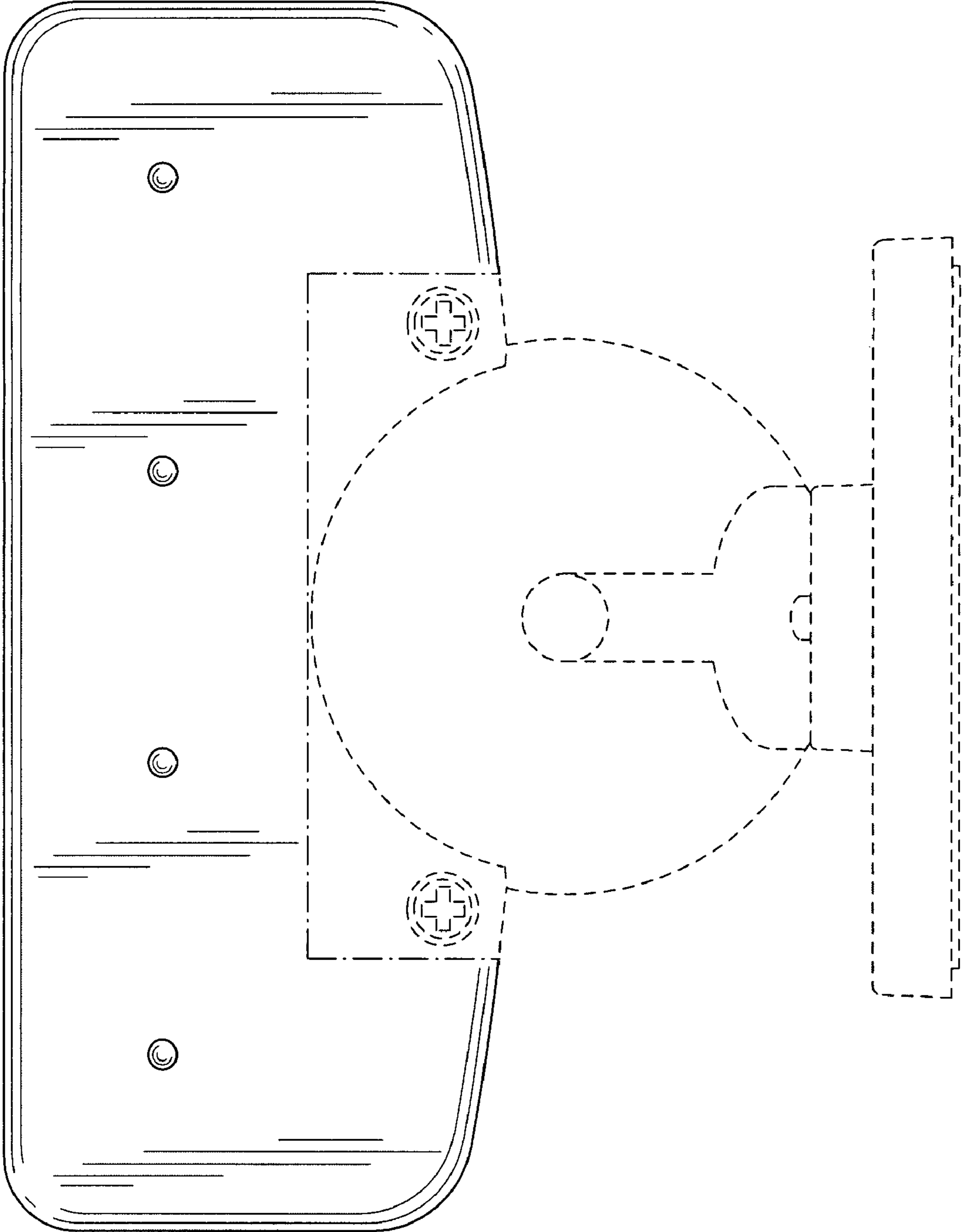


Fig.3

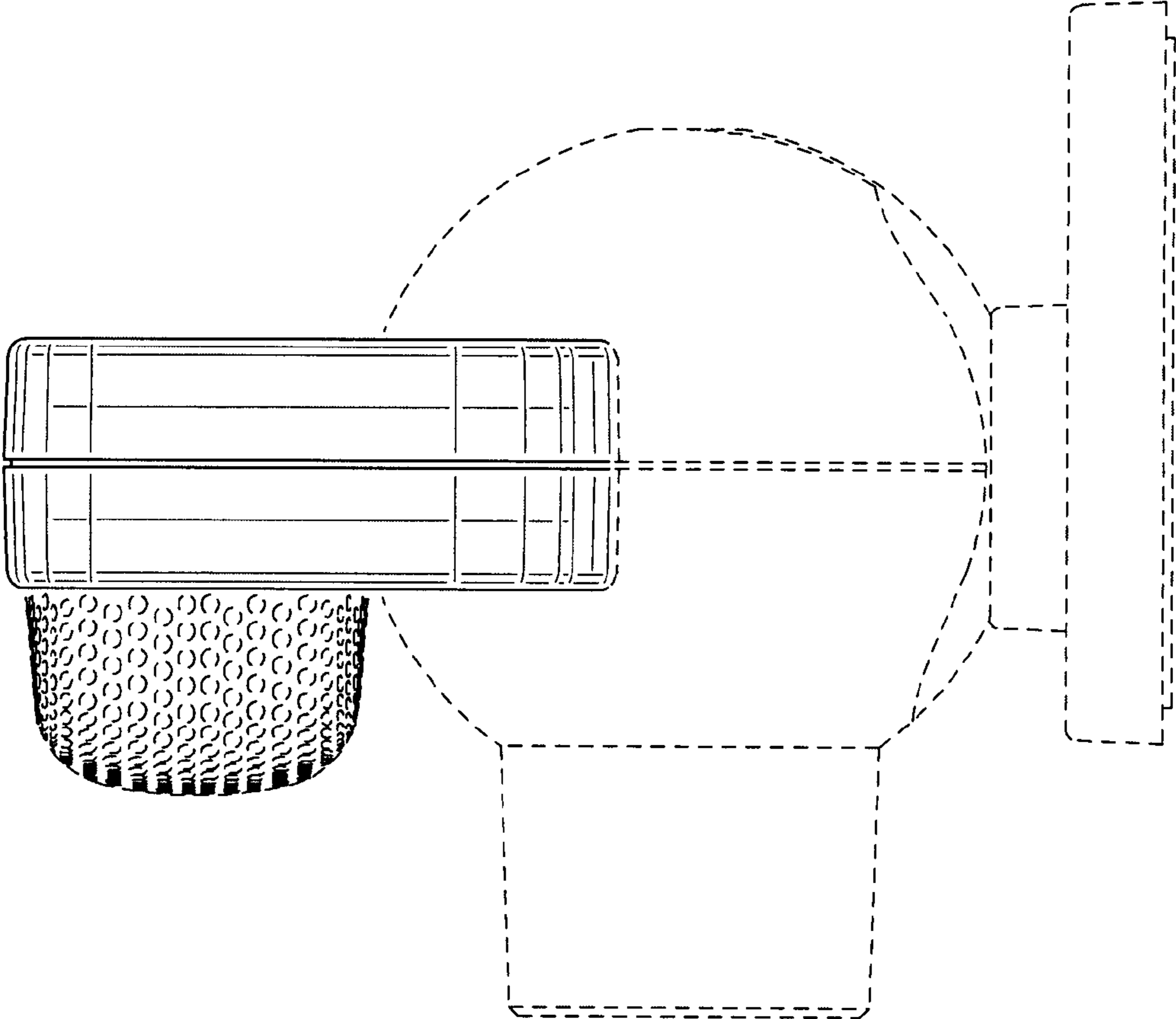


Fig.4

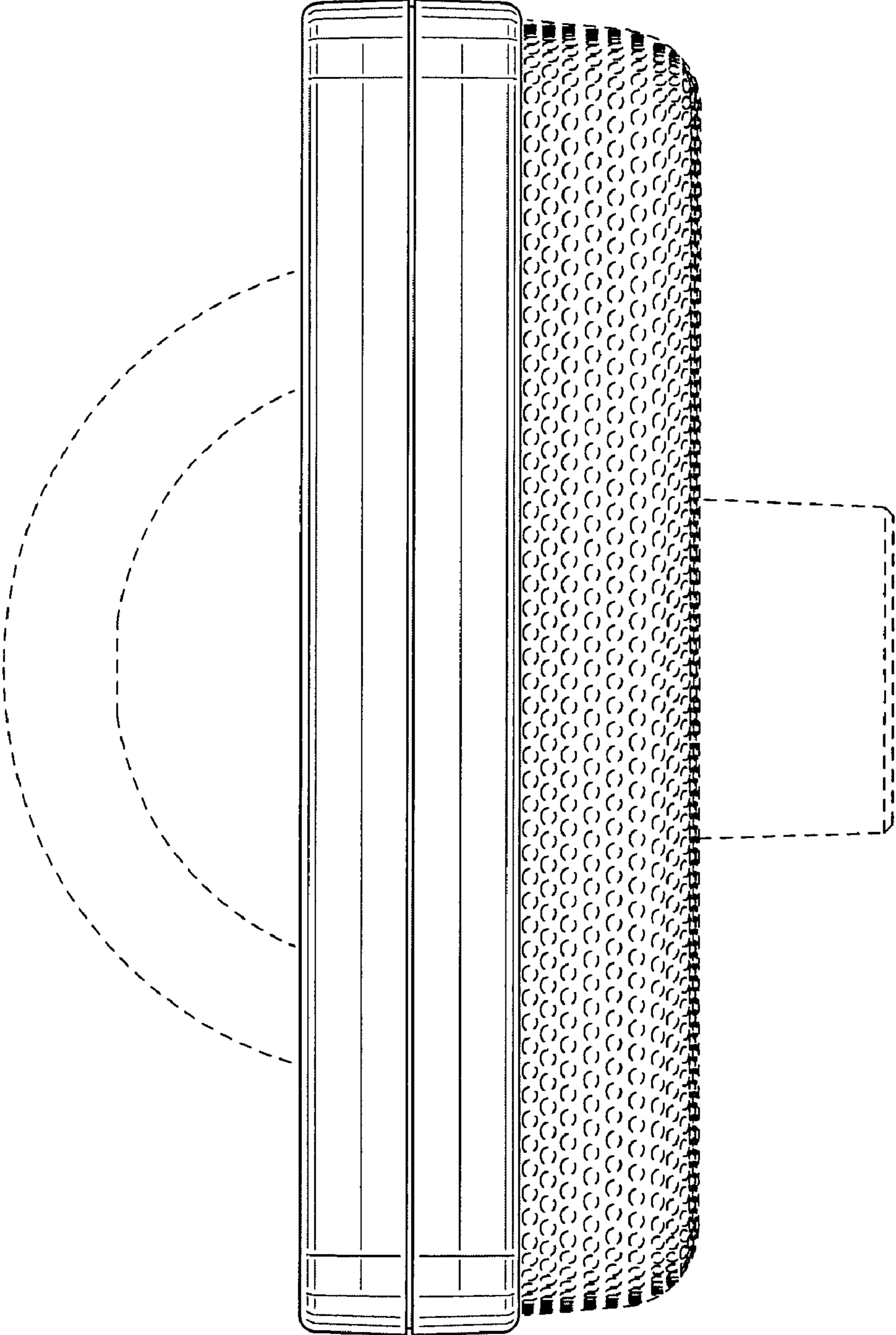


Fig.5

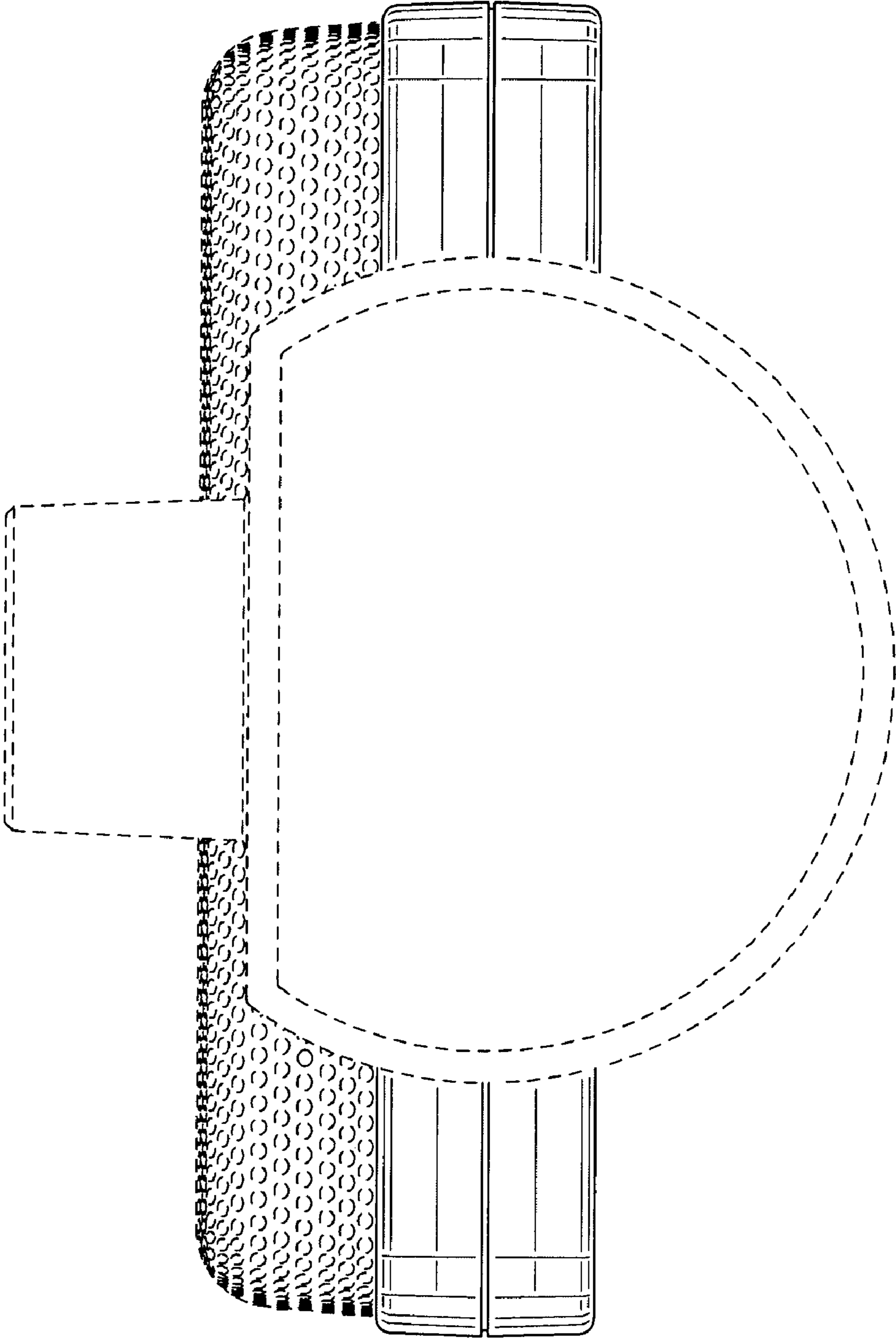


Fig.6

