



US00D573168S

(12) **United States Design Patent**  
**Tajima**

(10) **Patent No.:** **US D573,168 S**  
(45) **Date of Patent:** **\*\* Jul. 15, 2008**

- (54) **DIGITAL CAMERA**
- (75) Inventor: **Kenji Tajima**, Machida (JP)
- (73) Assignee: **Olympus Imaging Corp.**, Tokyo (JP)
- (\*\*) Term: **14 Years**
- (21) Appl. No.: **29/292,381**
- (22) Filed: **Oct. 10, 2007**

D534,564 S \* 1/2007 Tainaka ..... D16/202  
 D547,343 S \* 7/2007 Sato ..... D16/202  
 D551,274 S \* 9/2007 Onawa ..... D16/202  
 2005/0057685 A1 \* 3/2005 Yamaguchi ..... 348/375

\* cited by examiner

*Primary Examiner*—Adir Aronovich

(74) *Attorney, Agent, or Firm*—John C. Pokotylo; Straub and Pokotylo

**Related U.S. Application Data**

- (62) Division of application No. 29/263,783, filed on Jul. 28, 2006, now Pat. No. Des. 566,740.

- (51) **LOC (8) Cl.** ..... **16-01**
- (52) **U.S. Cl.** ..... **D16/202**
- (58) **Field of Classification Search** ..... D16/200–204,  
D16/208, 218, 219; 348/373–376; 358/909.1;  
396/535–541

See application file for complete search history.

(56) **References Cited**

**U.S. PATENT DOCUMENTS**

- D496,380 S \* 9/2004 Isomoto ..... D16/202
- D497,926 S \* 11/2004 Yanagisawa et al. .... D16/202
- D516,599 S \* 3/2006 Nakamura ..... D16/202

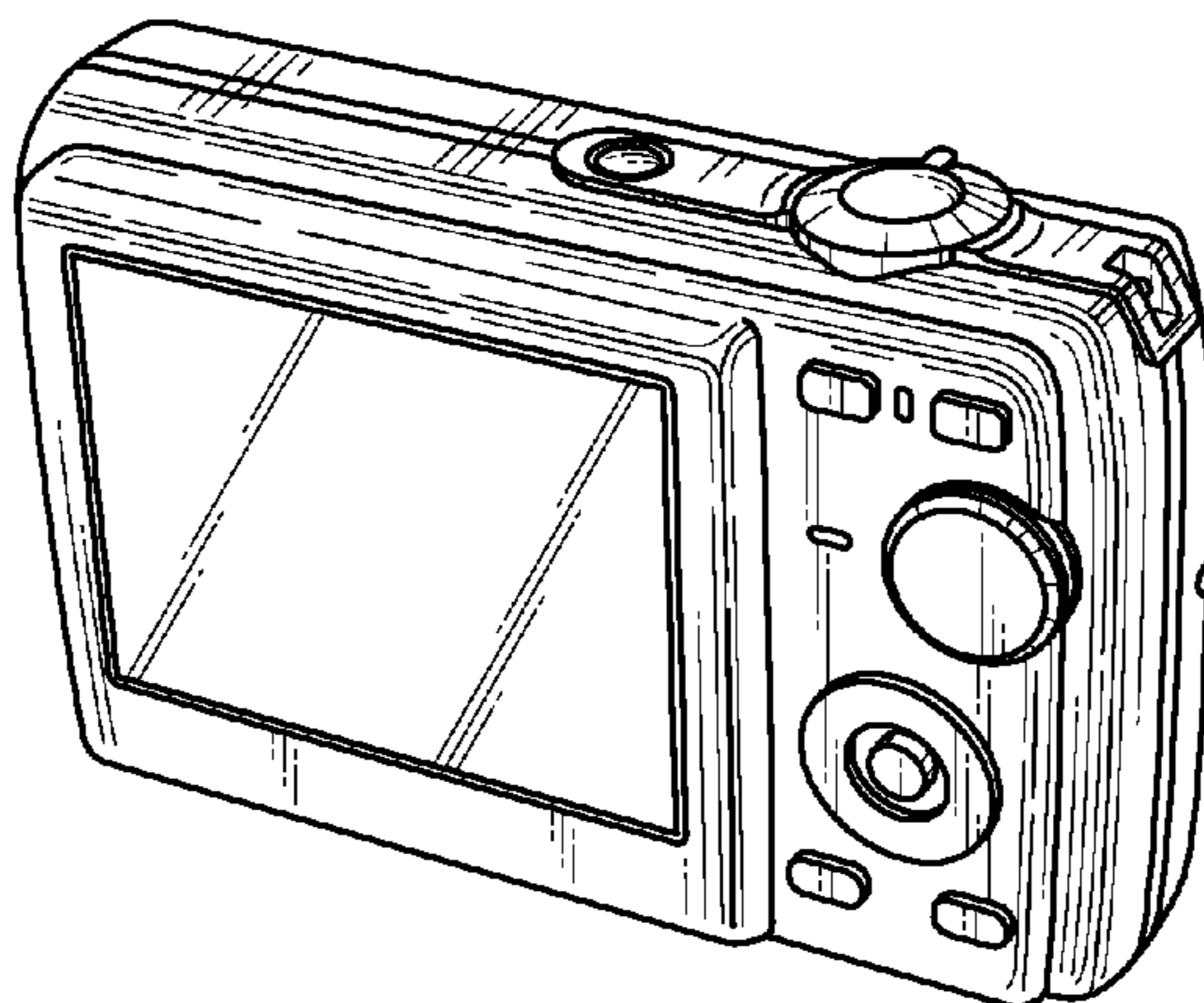
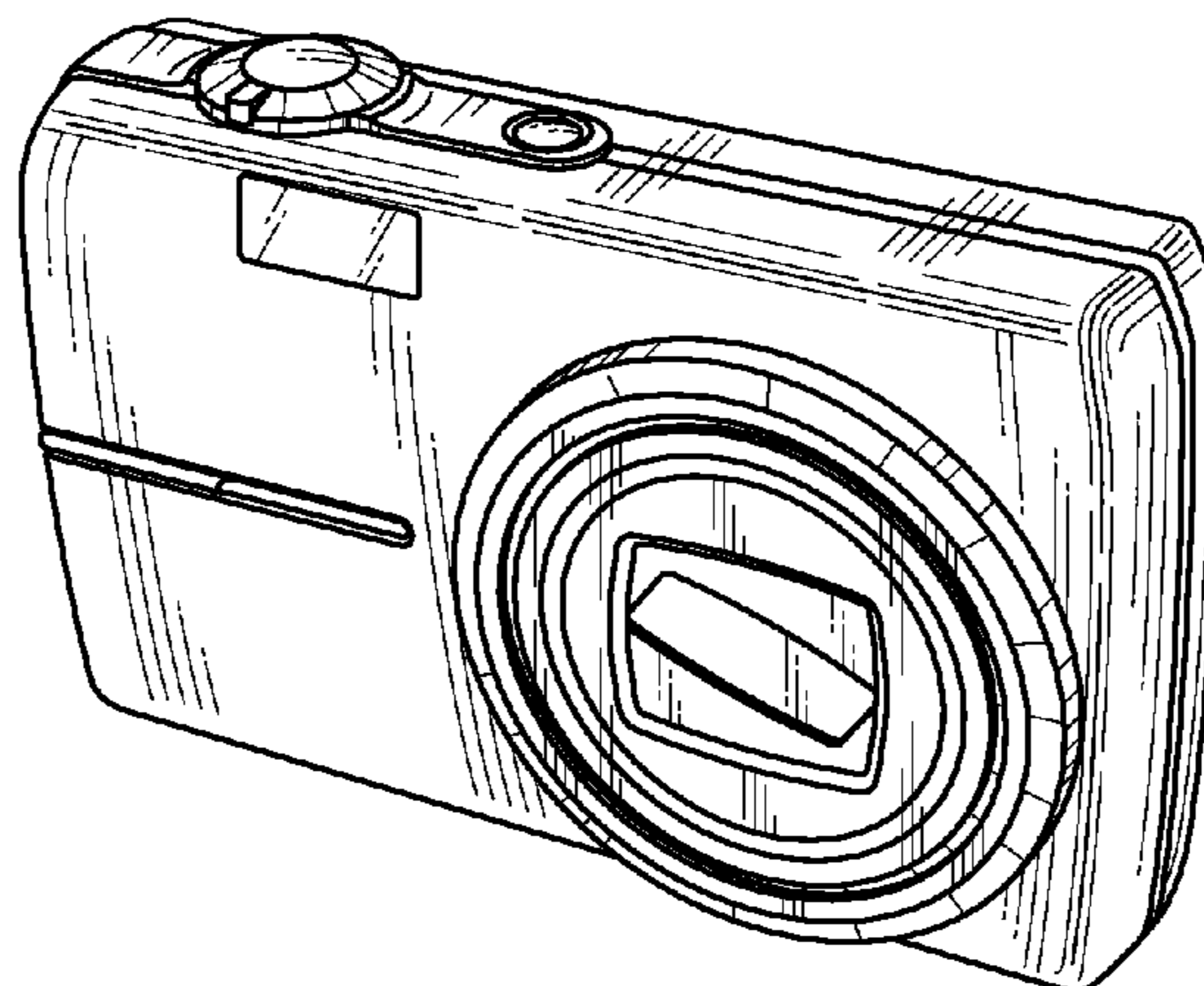
(57) **CLAIM**

The ornamental design for a digital camera, as shown and described.

**DESCRIPTION**

FIG. 1 is a front, top and right side perspective view of a digital camera, showing my design;  
 FIG. 2 is a rear, top and left side perspective view thereof;  
 FIG. 3 is a front view thereof;  
 FIG. 4 is a rear view thereof;  
 FIG. 5 is a top plan view thereof;  
 FIG. 6 is a bottom plan view thereof;  
 FIG. 7 is a left side view thereof; and,  
 FIG. 8 is a right side view thereof.

**1 Claim, 3 Drawing Sheets**



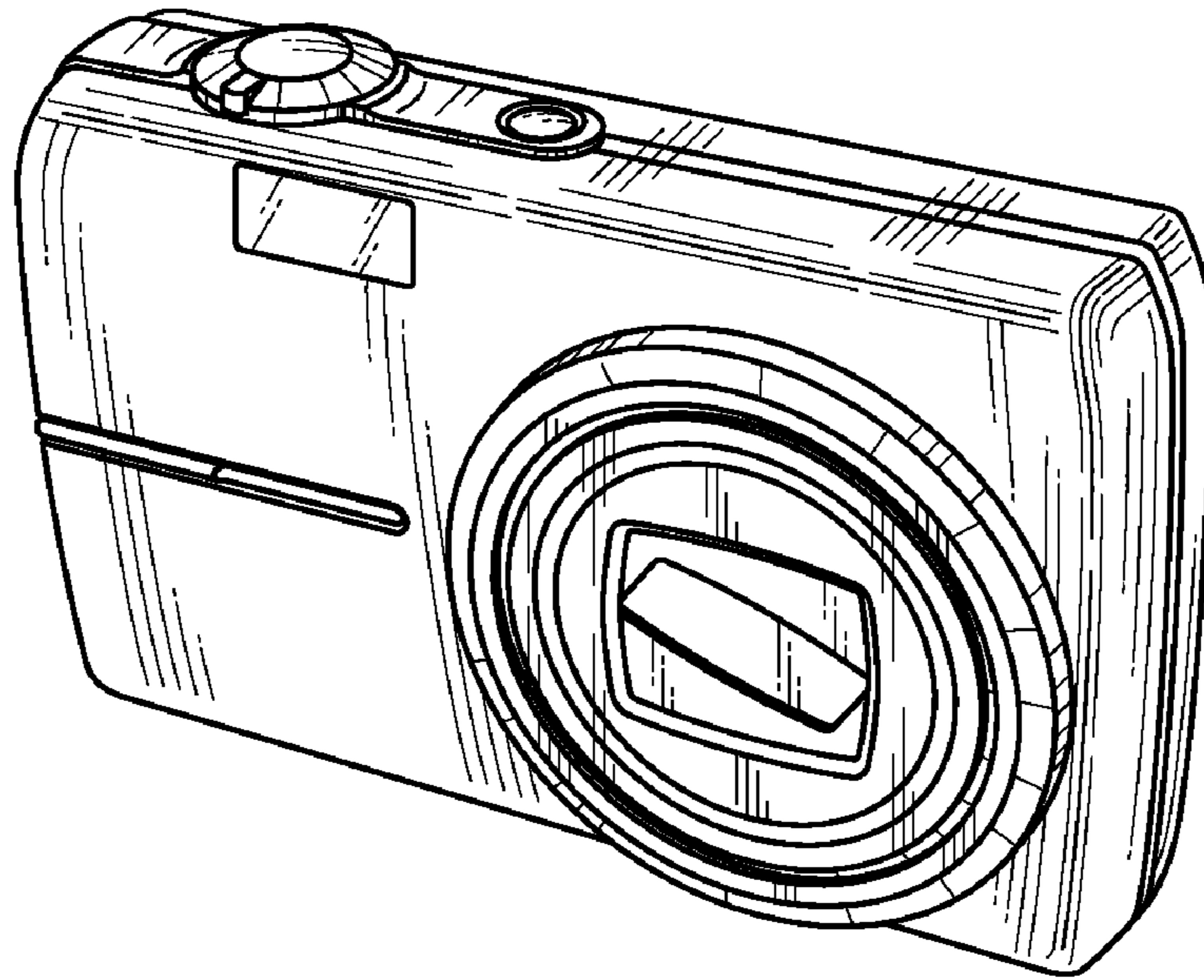


FIG. 1

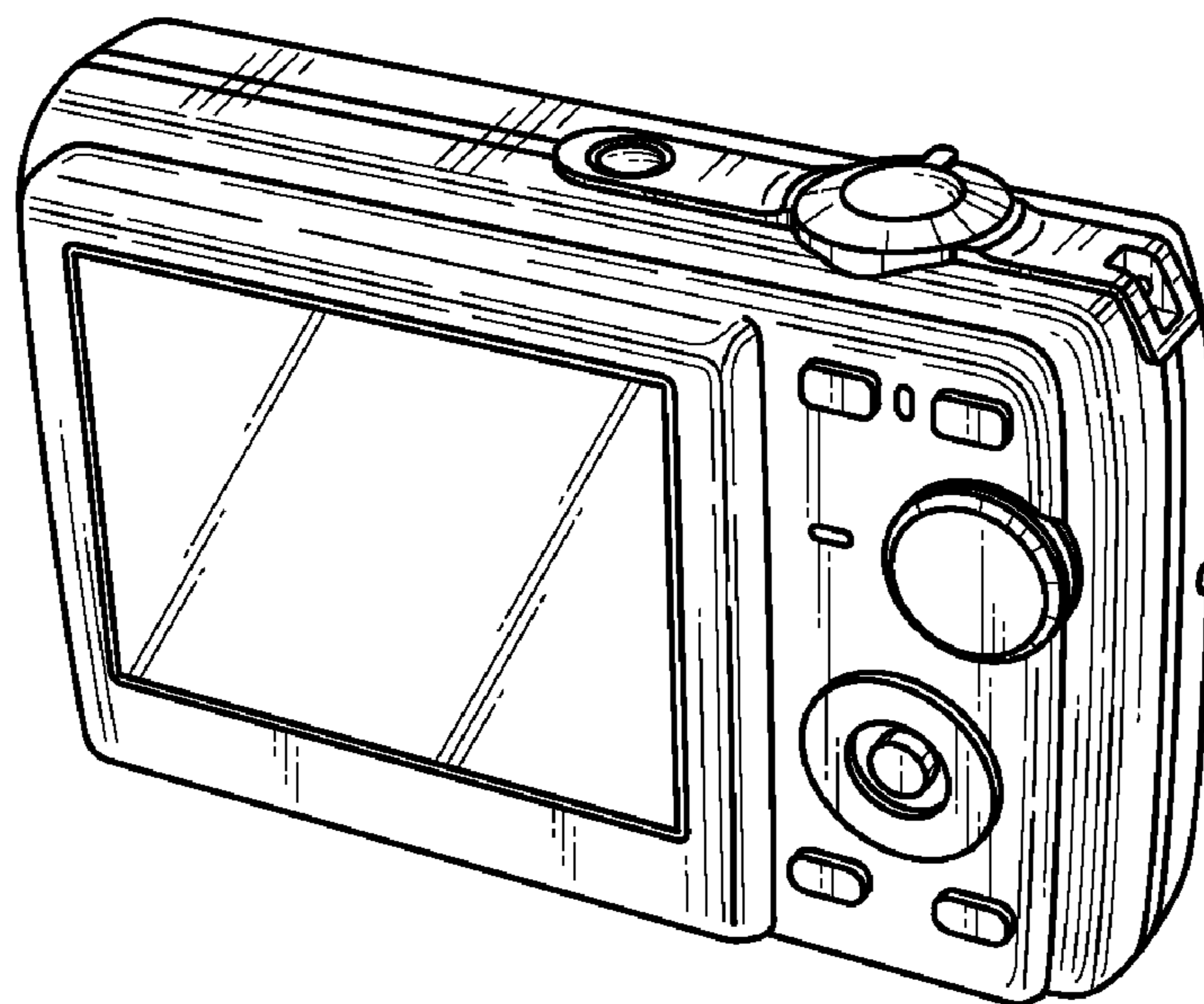


FIG. 2

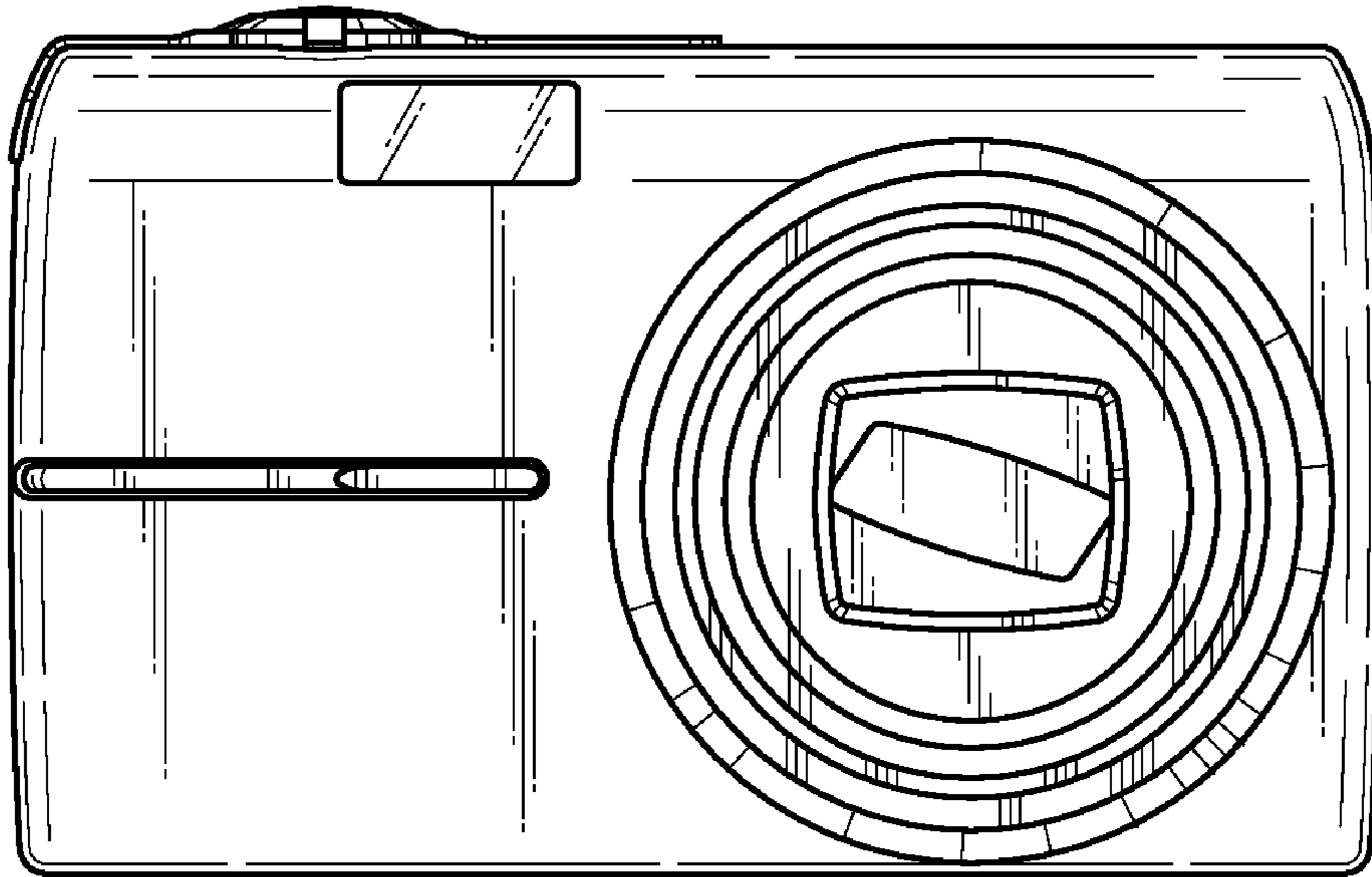


FIG. 3

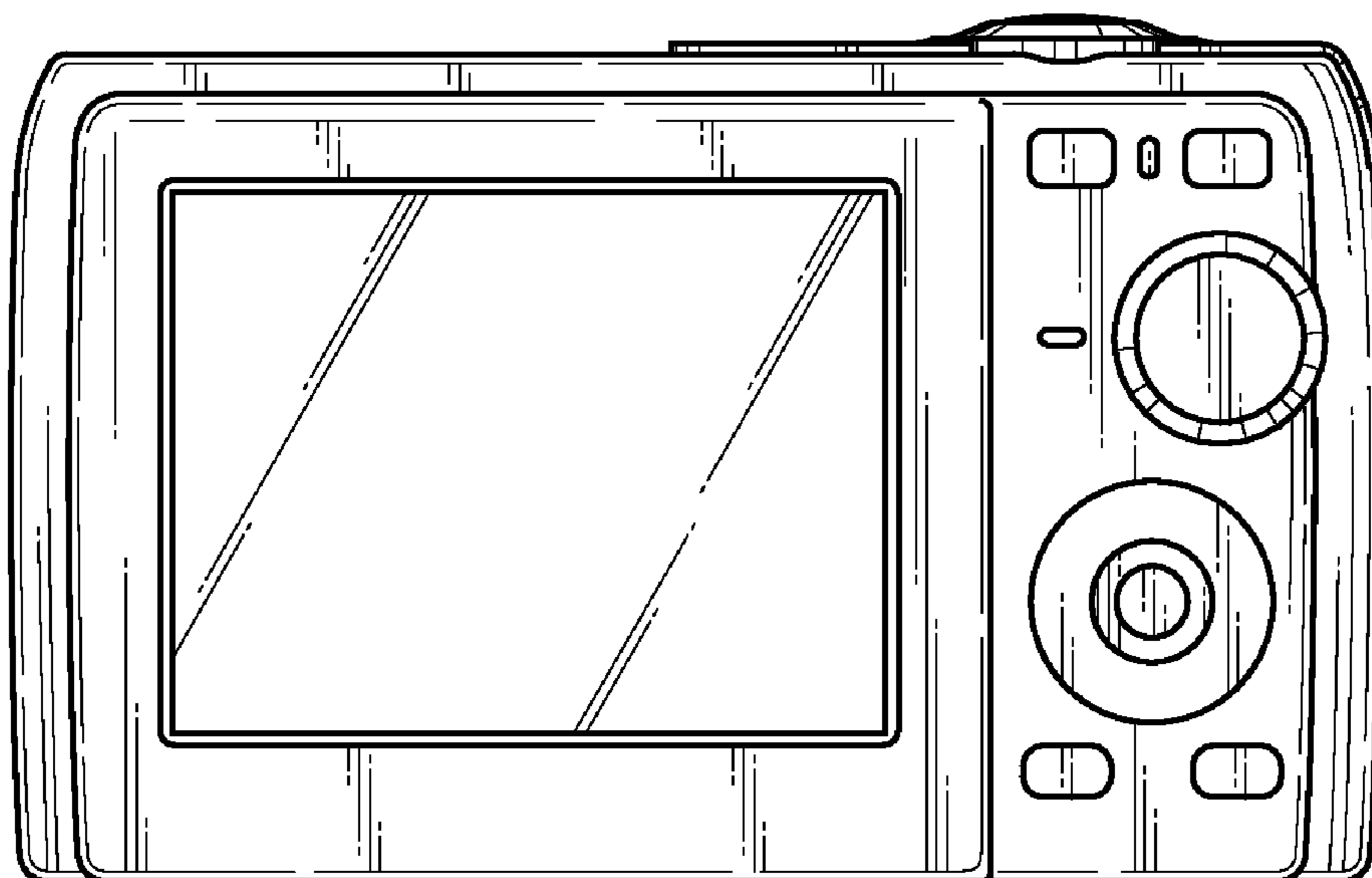


FIG. 4

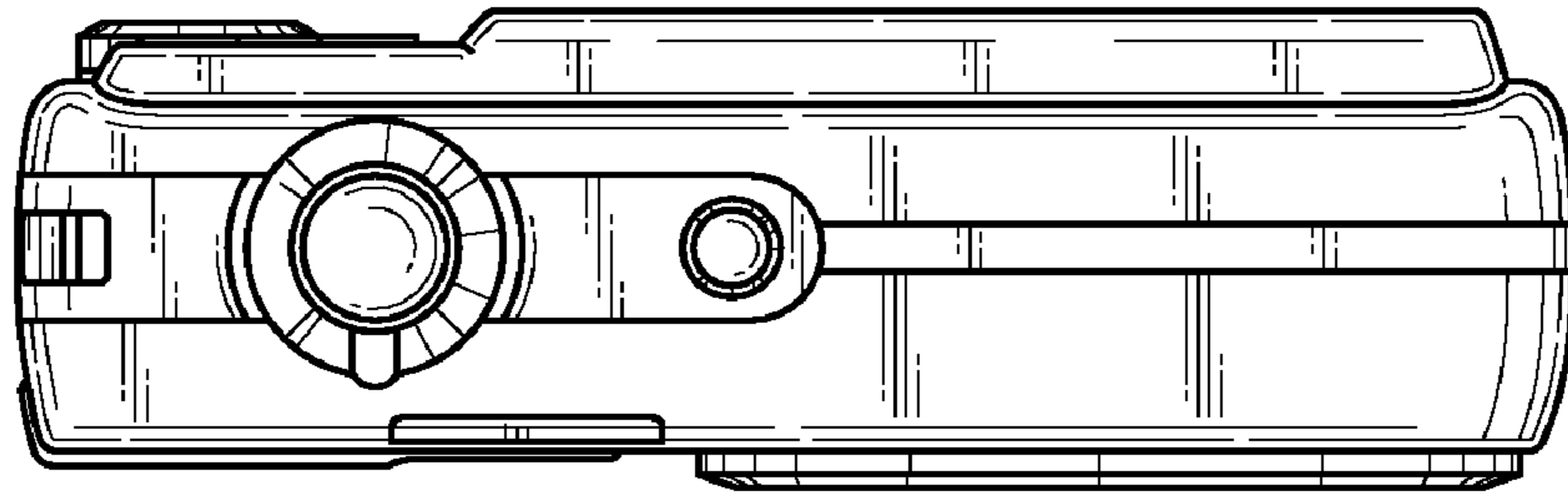


FIG. 5

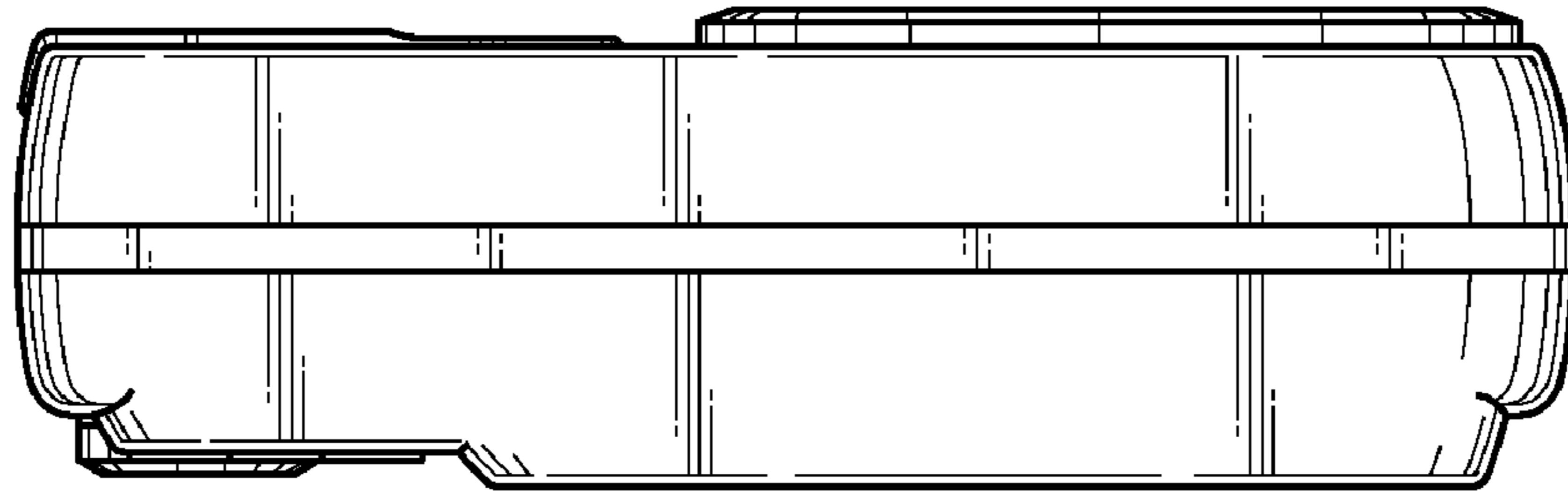


FIG. 6

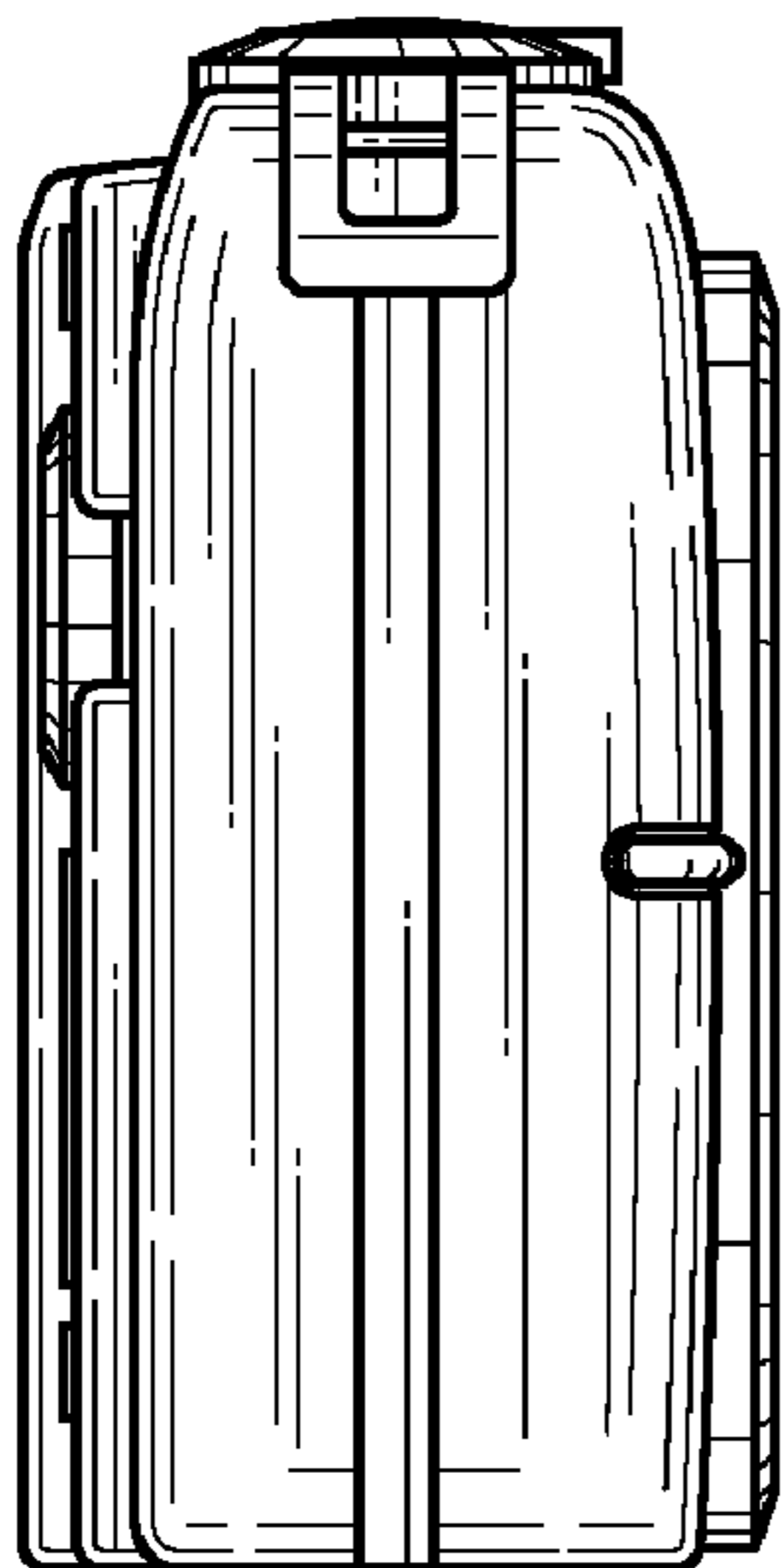


FIG. 7

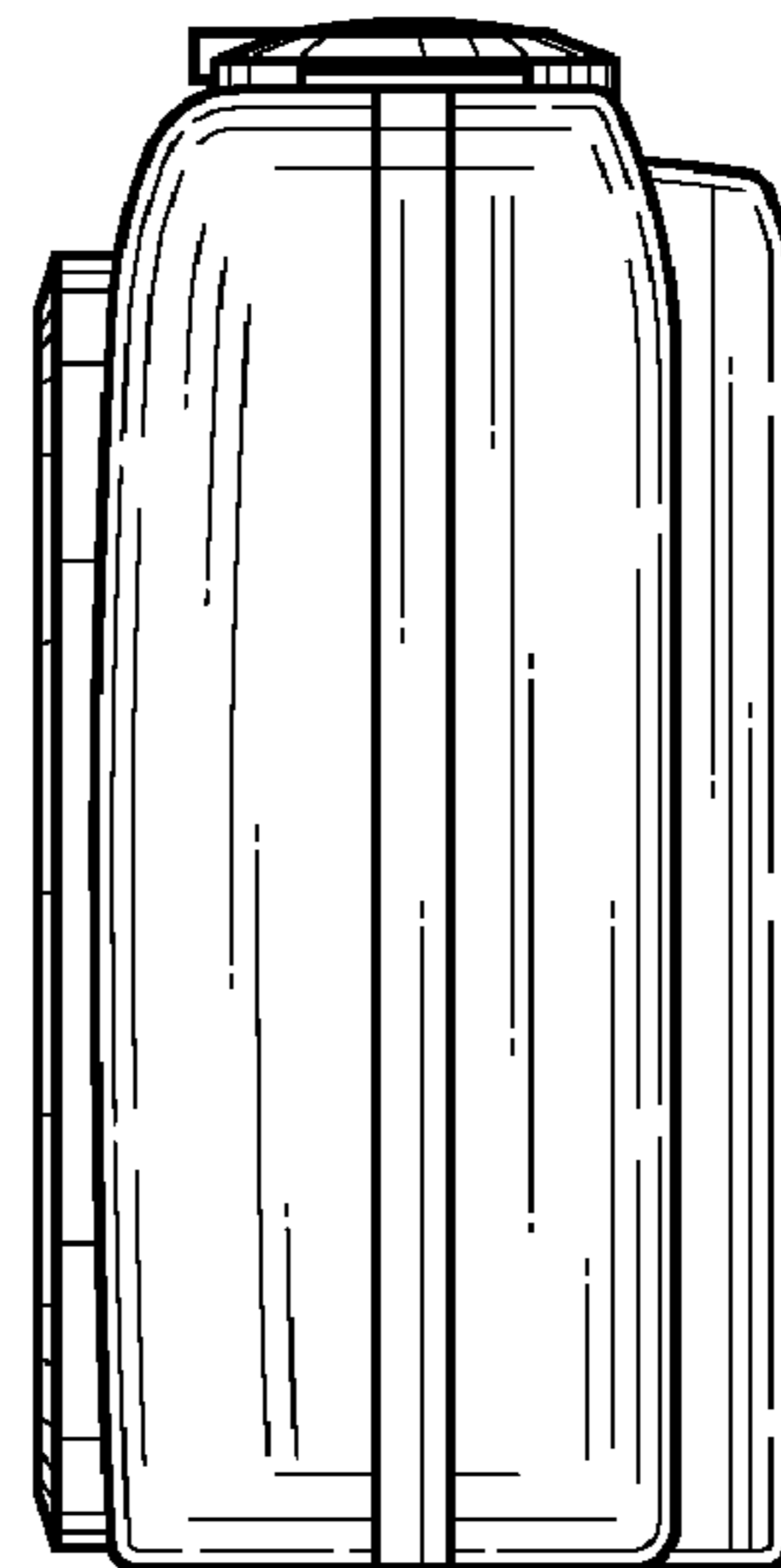


FIG. 8