



US00D573167S

(12) **United States Design Patent**  
**Kitera**

(10) **Patent No.:** **US D573,167 S**

(45) **Date of Patent:** **\*\* Jul. 15, 2008**

(54) **CONVERSION LENS FOR SINGLE-LENS REFLEX CAMERA**

6,791,770 B2 \* 9/2004 Yamazaki et al. .... 359/819

**FOREIGN PATENT DOCUMENTS**

(75) Inventor: **Jun Kitera**, Tokyo (JP)

JP 606277 S 9/1994

JP 906277-1 S 9/1994

(73) Assignee: **PENTAX Corporation**, Tokyo (JP)

JP 925349 S 5/1995

JP 945121 S 1/1996

(\*\*) Term: **14 Years**

\* cited by examiner

(21) Appl. No.: **29/284,347**

*Primary Examiner*—Adir Aronovich

(74) *Attorney, Agent, or Firm*—Sughrue Mion, PLLC

(22) Filed: **Sep. 6, 2007**

(57) **CLAIM**

(30) **Foreign Application Priority Data**

Mar. 7, 2007 (JP) ..... 2007-005951

The ornamental design for a conversion lens for single-lens reflex camera, as shown and described.

(51) **LOC (8) Cl.** ..... **16-06**

**DESCRIPTION**

(52) **U.S. Cl.** ..... **D16/134; D16/219**

FIG. 1 is a perspective view of the top, front, and right side of a conversion lens for single-lens reflex camera showing my new design;

(58) **Field of Classification Search** ..... D14/134, D14/136; D16/200, 202, 203, 204, 217, D16/219; 358/909.1; 359/811, 815, 819, 359/826, 827, 828; 396/354, 529, 530–532

FIG. 2 is a front elevational view thereof;

FIG. 3 is a rear elevational view thereof;

See application file for complete search history.

FIG. 4 is a right side elevational view thereof;

(56) **References Cited**

**U.S. PATENT DOCUMENTS**

D356,805 S \* 3/1995 Takahashi ..... D16/134

D357,491 S \* 4/1995 Takahashi ..... D16/134

5,483,384 A \* 1/1996 Takizawa et al. .... 359/827

D439,918 S \* 4/2001 Yamaguchi et al. .... D16/134

D440,997 S \* 4/2001 Watanabe ..... D16/219

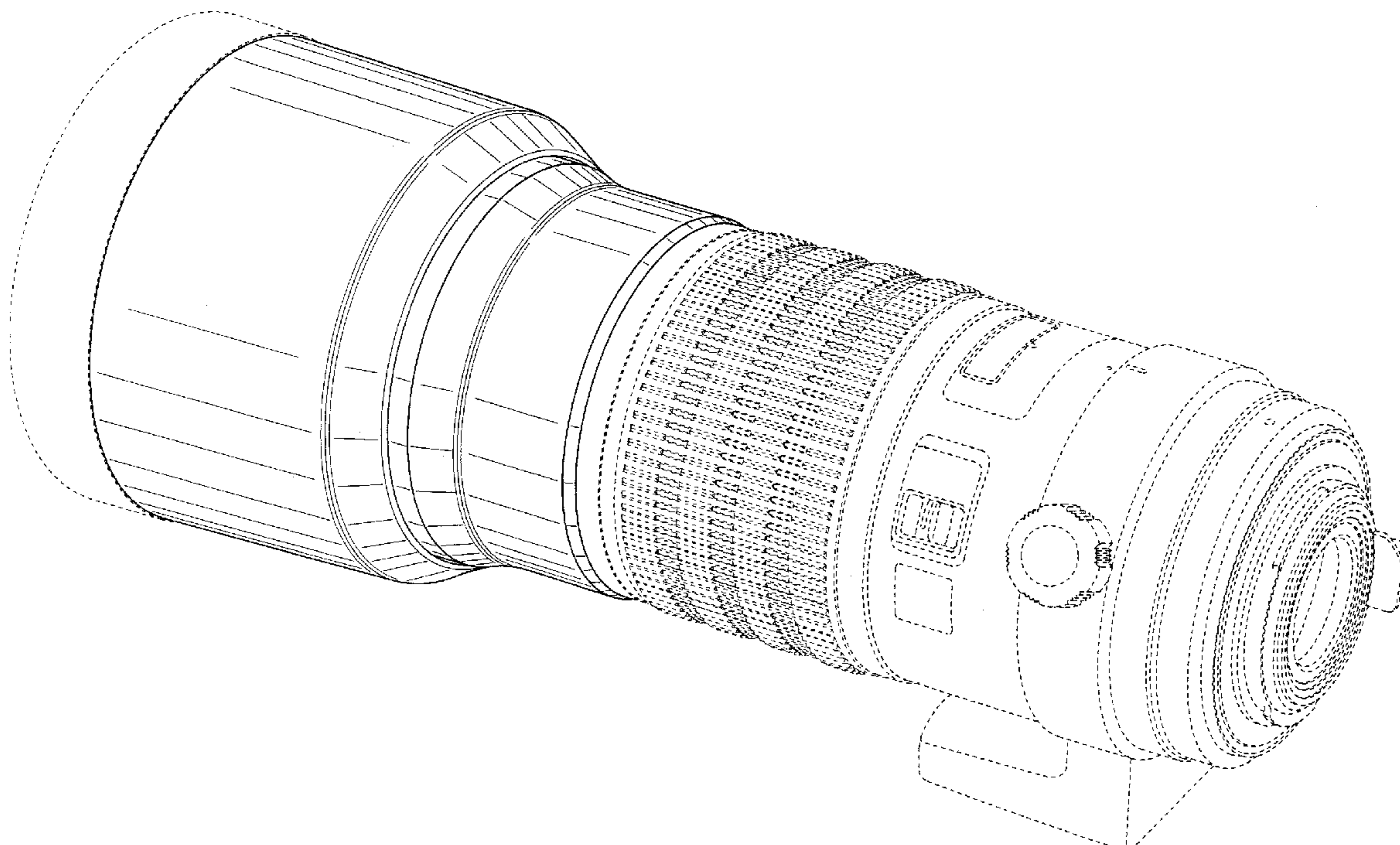
FIG. 5 is a left side elevational view thereof;

FIG. 6 is a top plan view thereof; and,

FIG. 7 is a bottom plan view thereof.

The portions shown in broken lines are for illustrative purposes only and form no part of the claimed design.

**1 Claim, 6 Drawing Sheets**



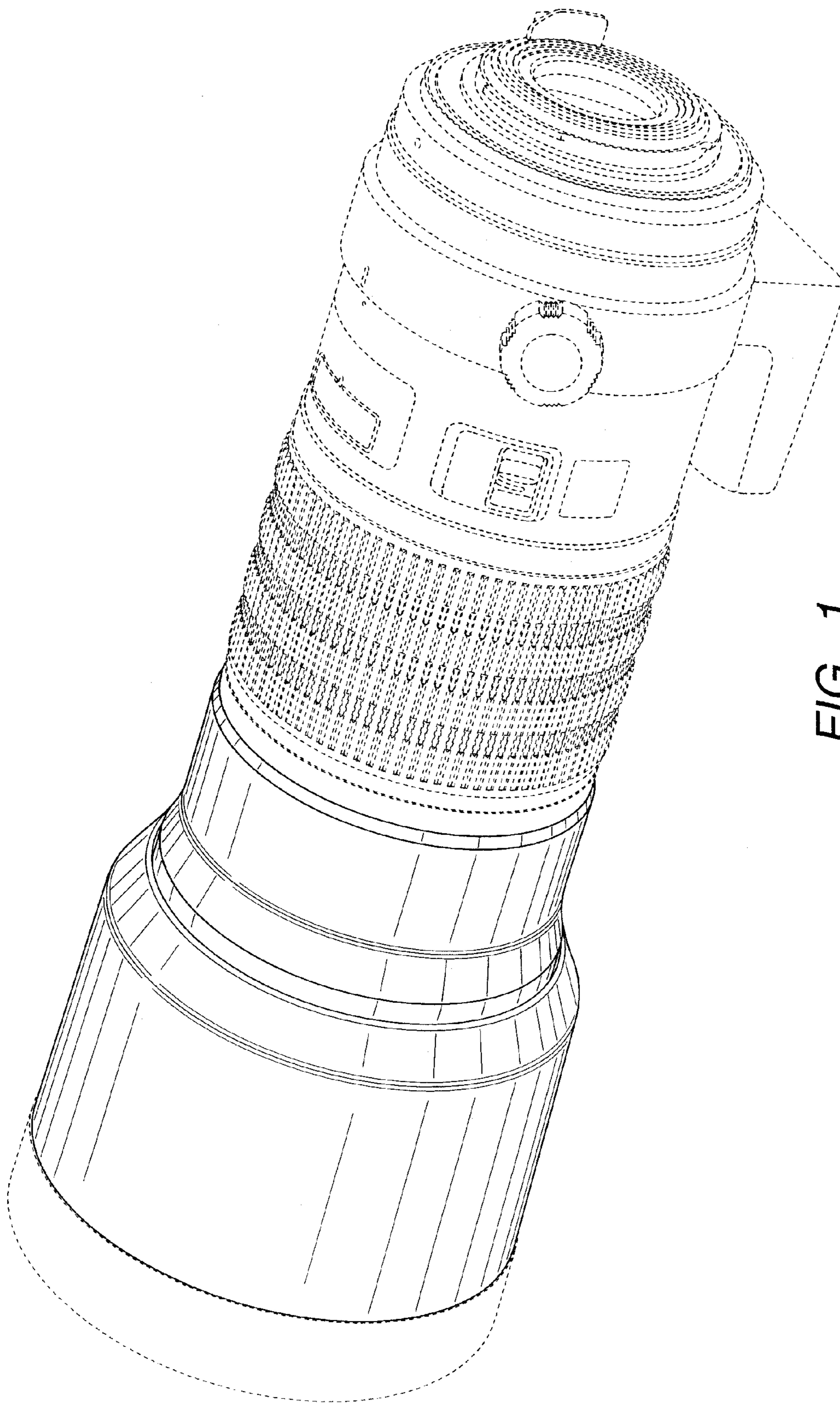


FIG. 1

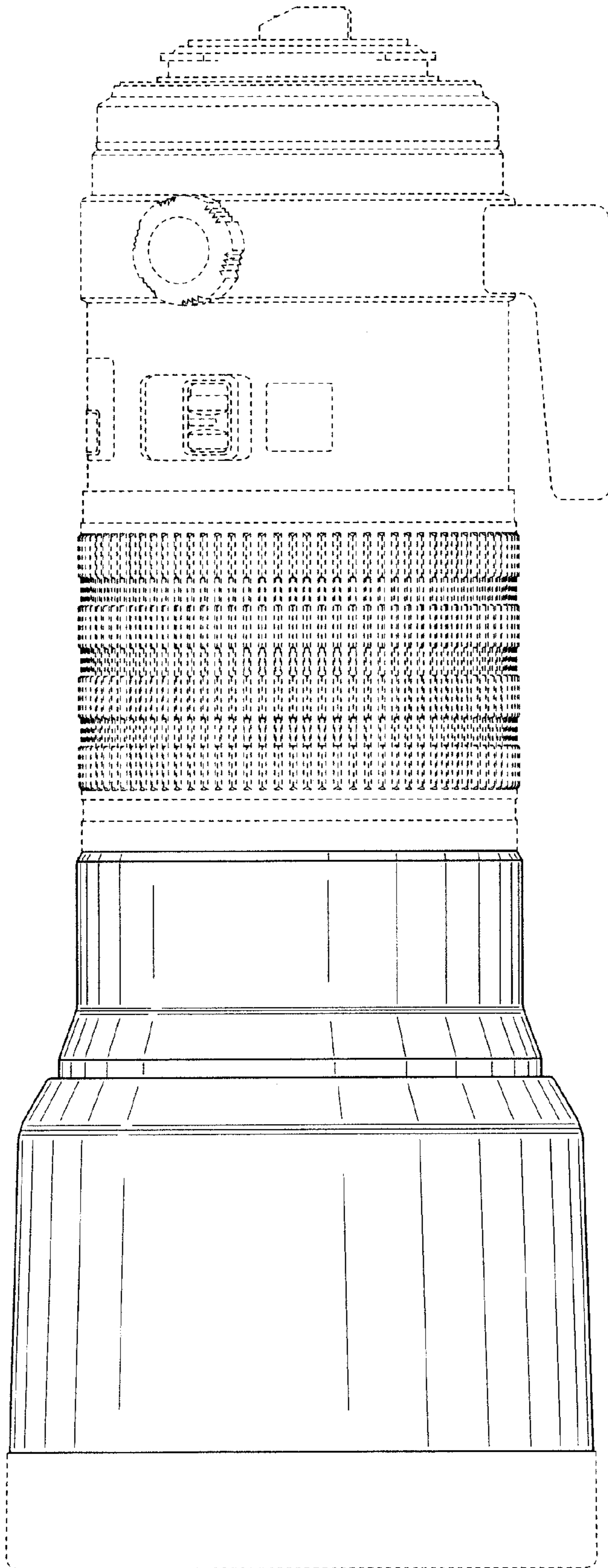


FIG. 2



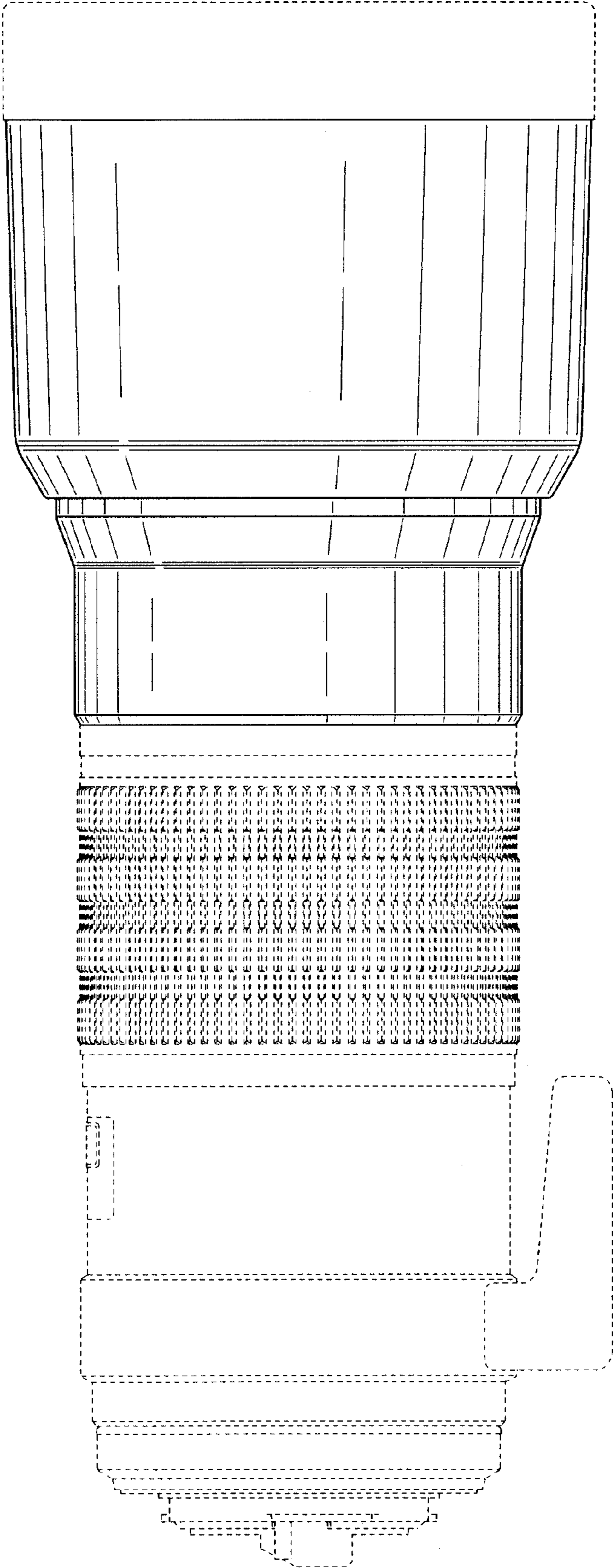


FIG. 3

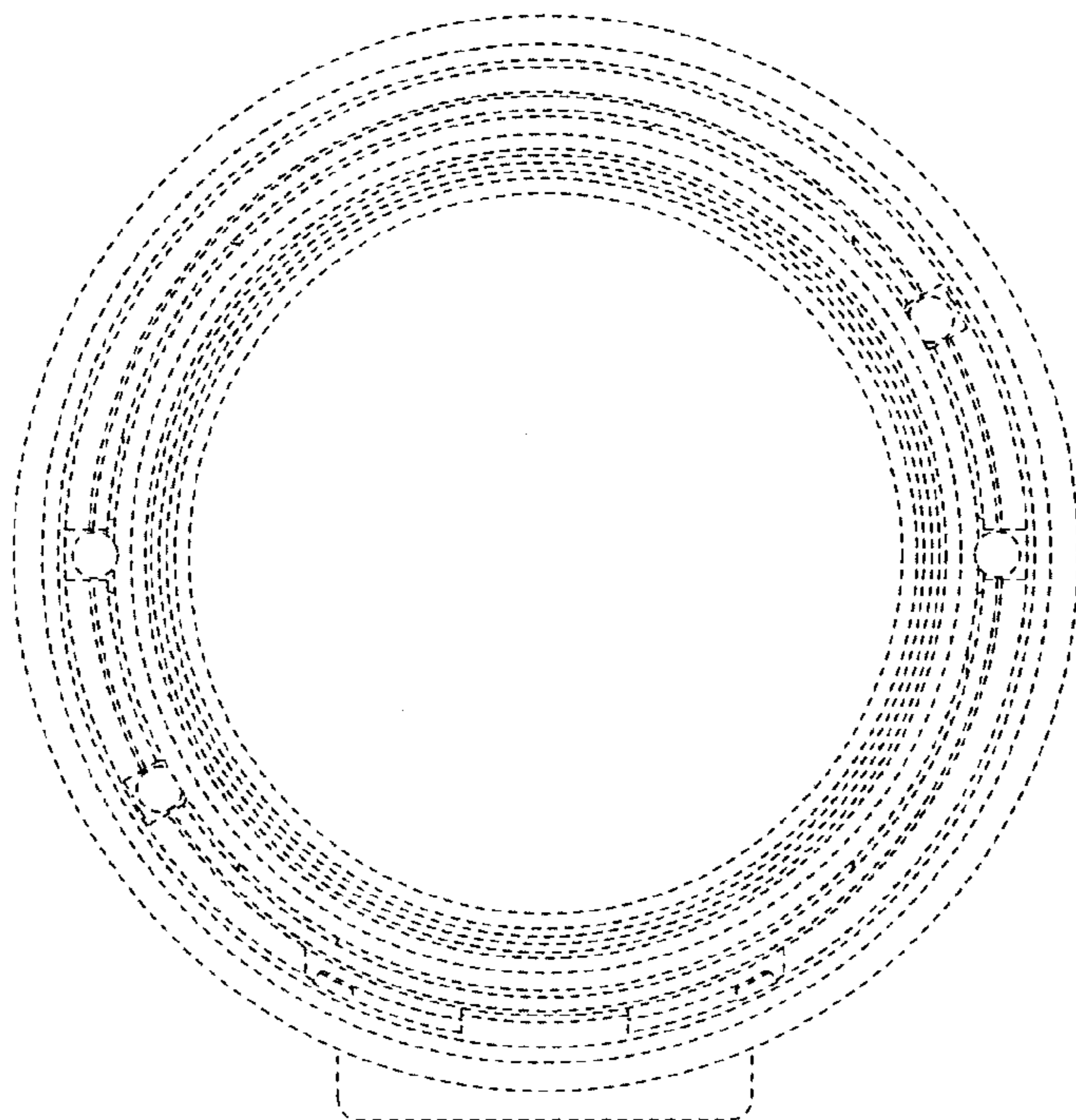


FIG. 4

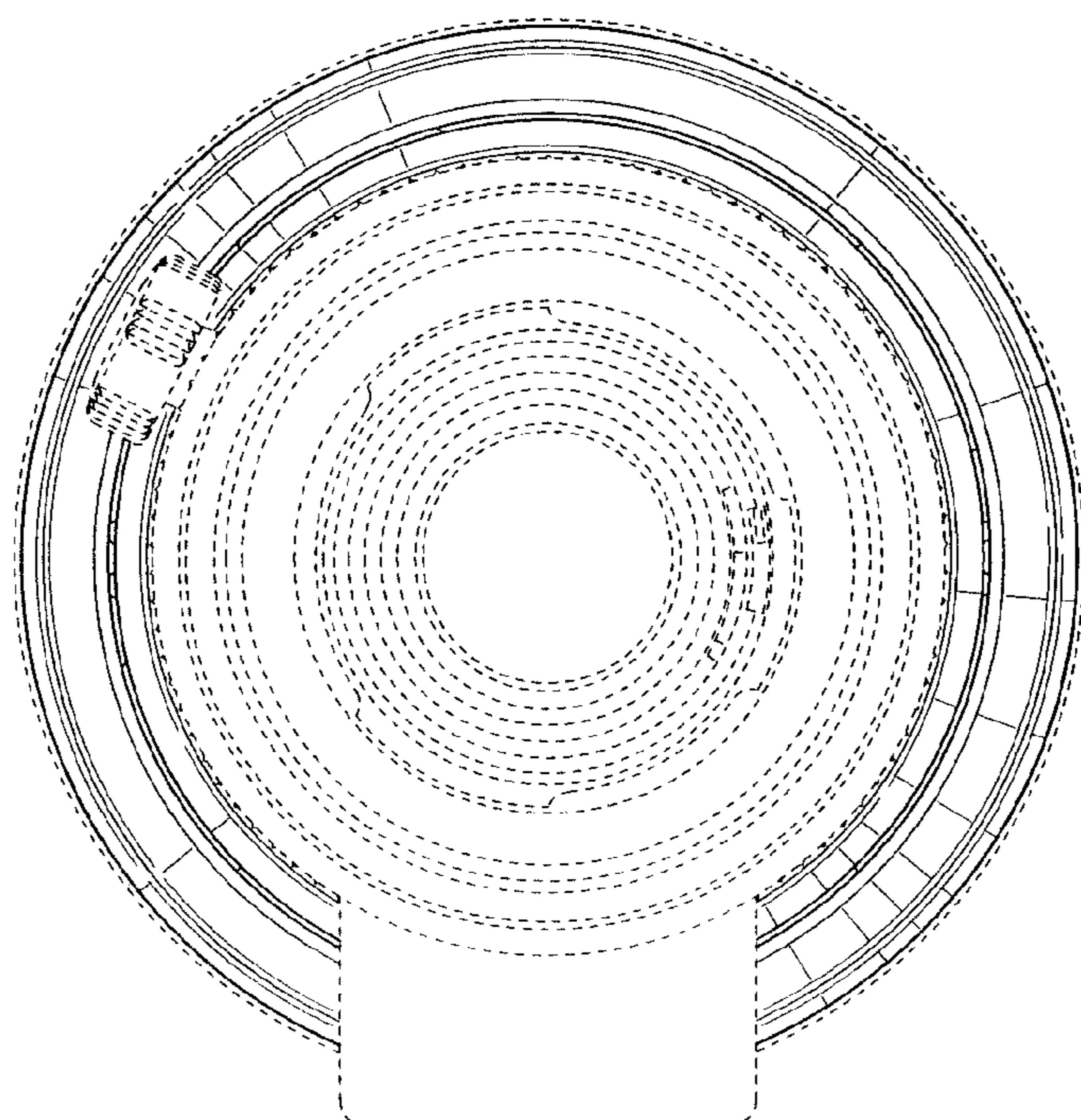


FIG. 5

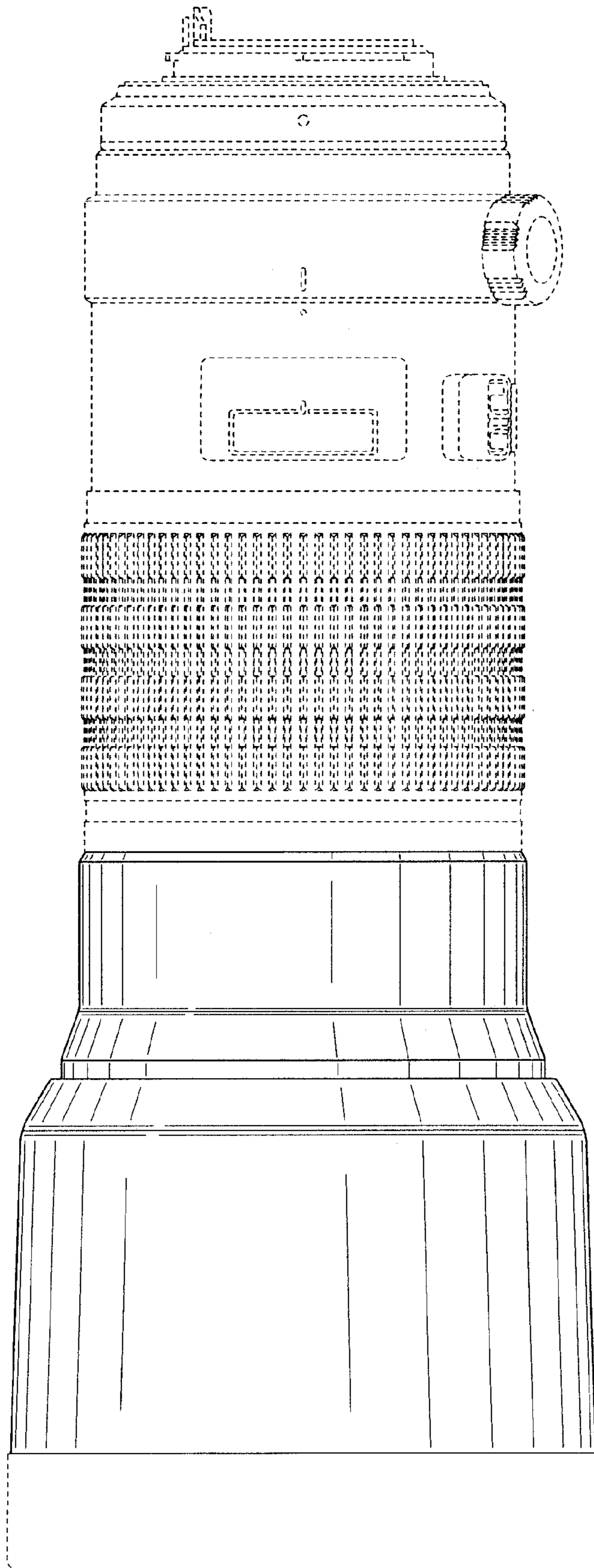


FIG. 6

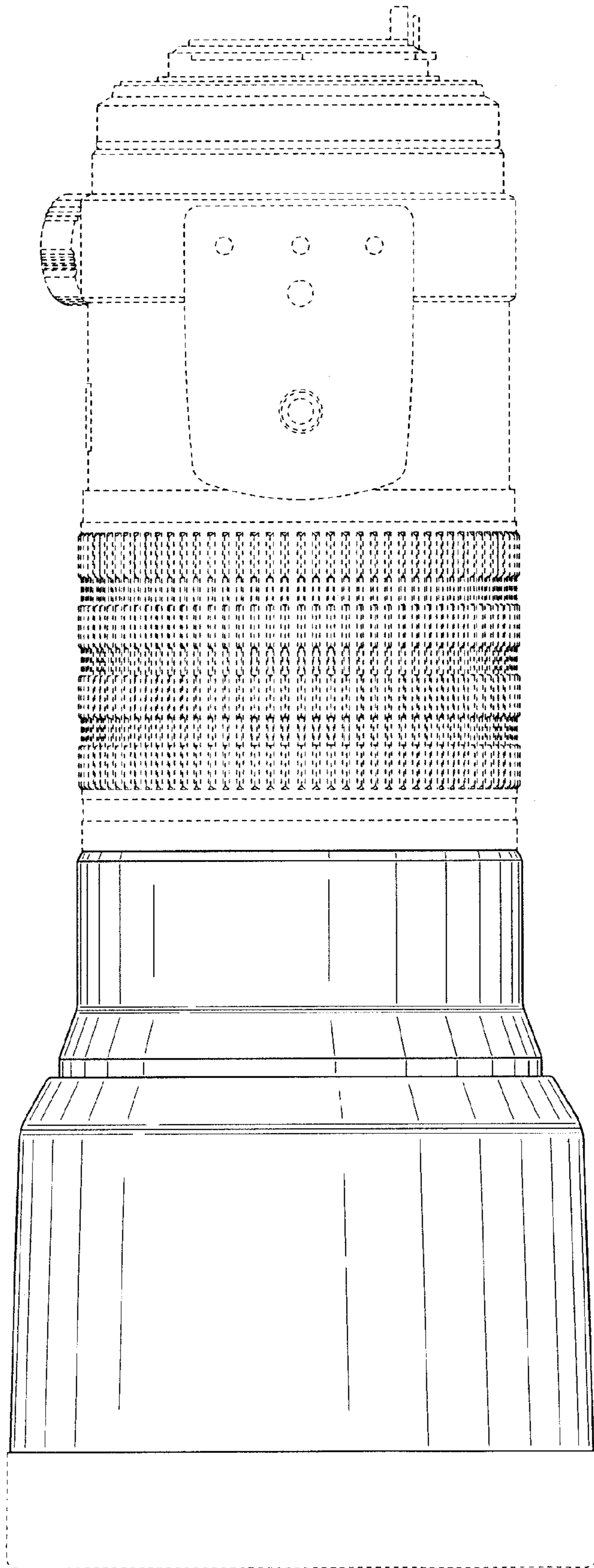


FIG. 7