



US00D573166S

(12) **United States Design Patent**  
**Okamoto**

(10) **Patent No.:** **US D573,166 S**  
(45) **Date of Patent:** **\*\* Jul. 15, 2008**

(54) **JOINT FOR A POWER TRANSMISSION**

6,135,737 A \* 10/2000 Miura et al. .... 418/55.3

(75) Inventor: **Taichi Okamoto**, Gifu (JP)

FOREIGN PATENT DOCUMENTS

(73) Assignee: **Nabeya Bi-Tech Kabushiki Kaisha**,  
Gifu-shi (JP)

JP 2002-327774 11/2002

(\*\*) Term: **14 Years**

OTHER PUBLICATIONS

(21) Appl. No.: **29/284,798**

Official Action (Japan) relating to Japan Application No. D2005-20240, mailed Feb. 22, 2008.

(22) Filed: **Sep. 14, 2007**

\* cited by examiner

(51) **LOC (8) Cl.** ..... **15-09**

*Primary Examiner*—Sandra Snapp

(52) **U.S. Cl.** ..... **D15/143**

*Assistant Examiner*—Patricia Palasik

(58) **Field of Classification Search** ..... D8/70;  
D15/138, 143, 148, 149; 74/471 R, 473.36,  
74/523; 137/539; 180/259; 192/59, 82 T,  
192/103 F, 104 F, 110 B; 464/27, 102, 138,  
464/143, 906

(74) *Attorney, Agent, or Firm*—Sheridan Ross P.C.

See application file for complete search history.

(57) **CLAIM**

The ornamental design for a joint for a power transmission, as shown.

(56) **References Cited**

**DESCRIPTION**

U.S. PATENT DOCUMENTS

FIG. 1 is a perspective view of a joint for a power transmission showing my new design;

D193,027 S *	6/1962	Seigel et al. ....	D15/148
3,323,386 A *	6/1967	Musick et al. ....	74/471 R
3,688,521 A *	9/1972	Smith et al. ....	464/146
4,484,899 A *	11/1984	Haarmann ....	464/69
4,634,396 A *	1/1987	Tangorra ....	464/55
4,941,861 A *	7/1990	Painter ....	464/102
5,022,645 A *	6/1991	Green ....	271/276
D340,845 S *	11/1993	Holmgren ....	D8/70
D400,773 S *	11/1998	Lin ....	D8/70
D415,402 S *	10/1999	Learng ....	D8/70

FIG. 2 is a front view thereof;

FIG. 3 is a rear view thereof;

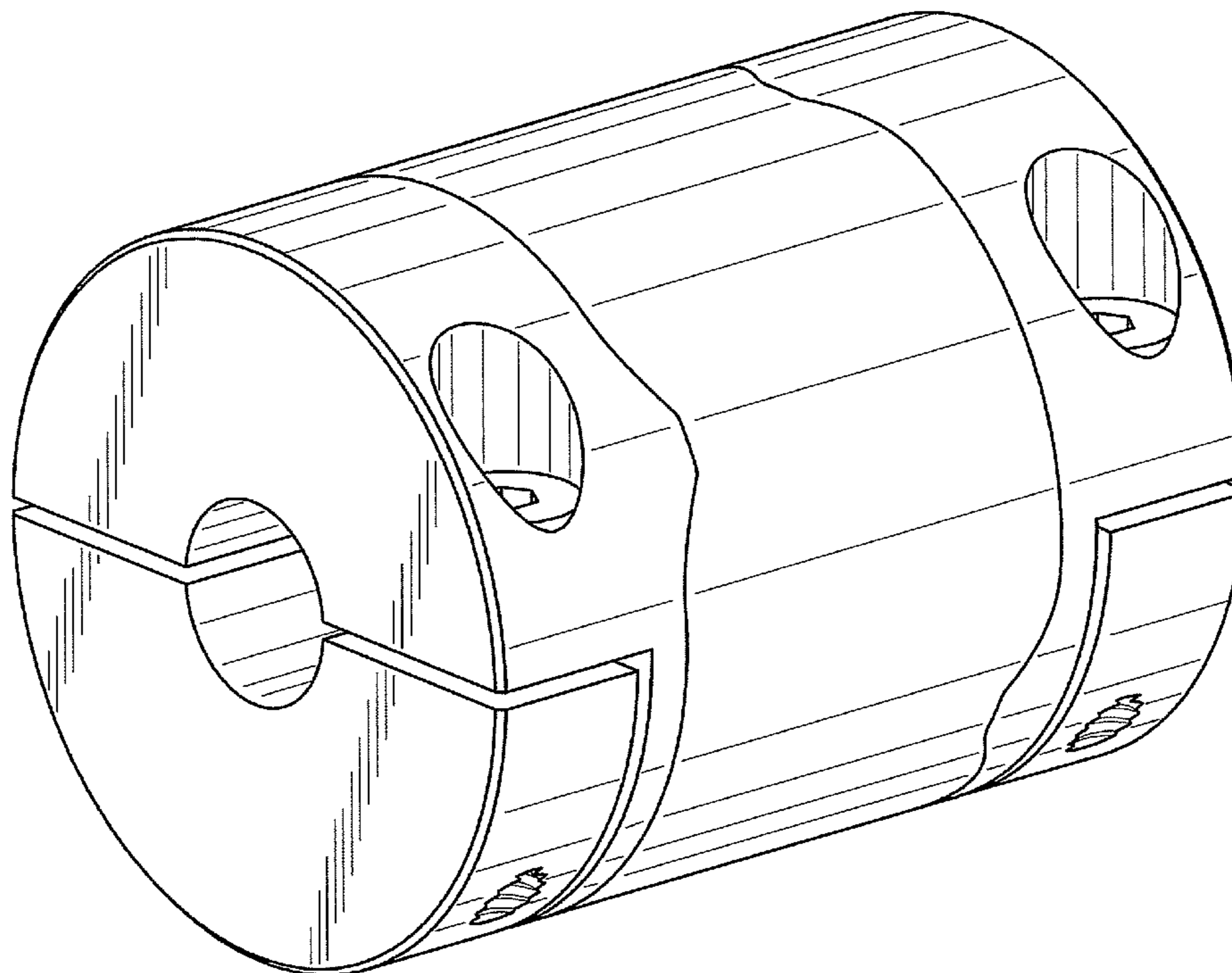
FIG. 4 is a top plan view thereof;

FIG. 5 is a bottom plan view thereof;

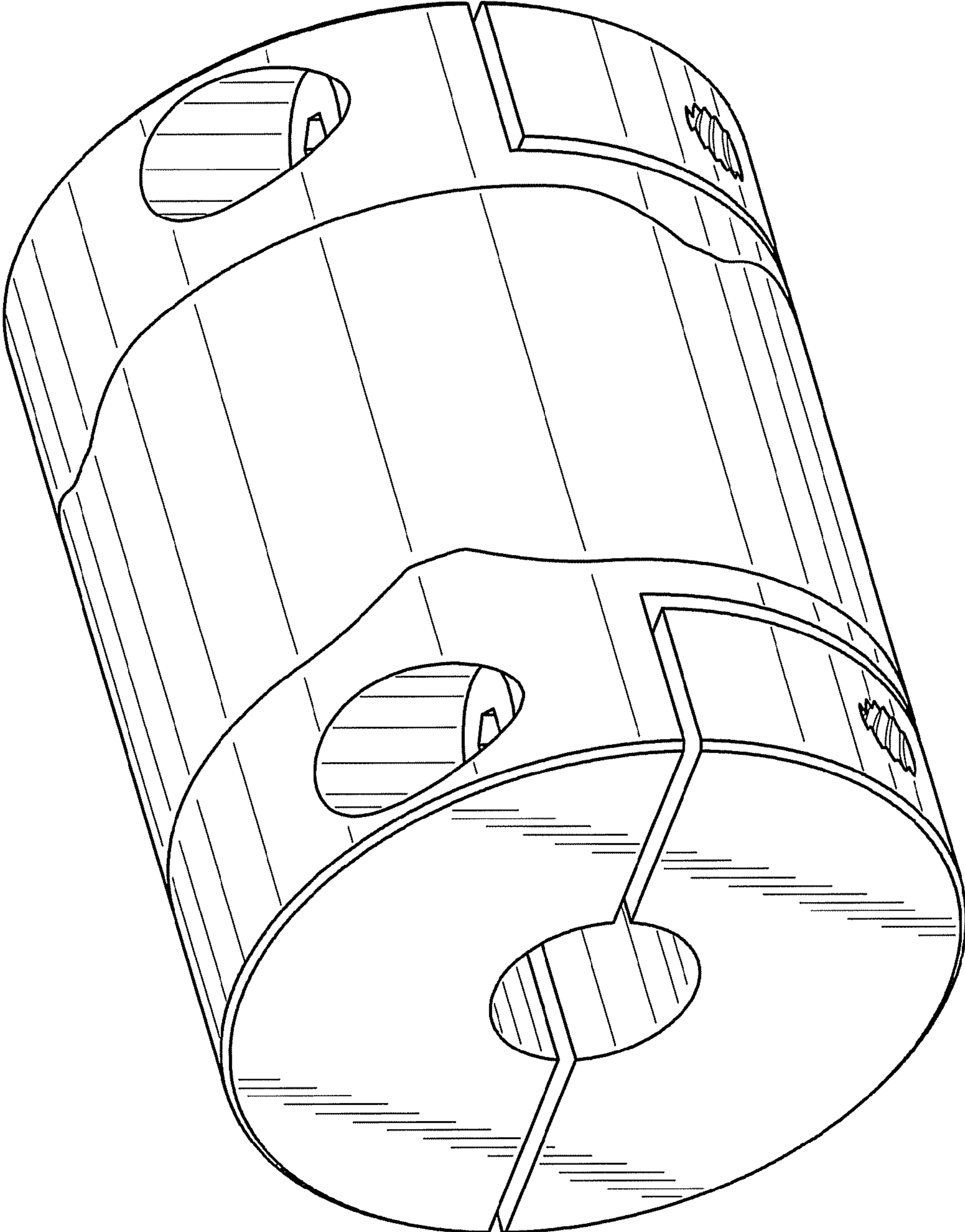
FIG. 6 is a right side elevational view thereof; and,

FIG. 7 is a left side elevational view thereof.

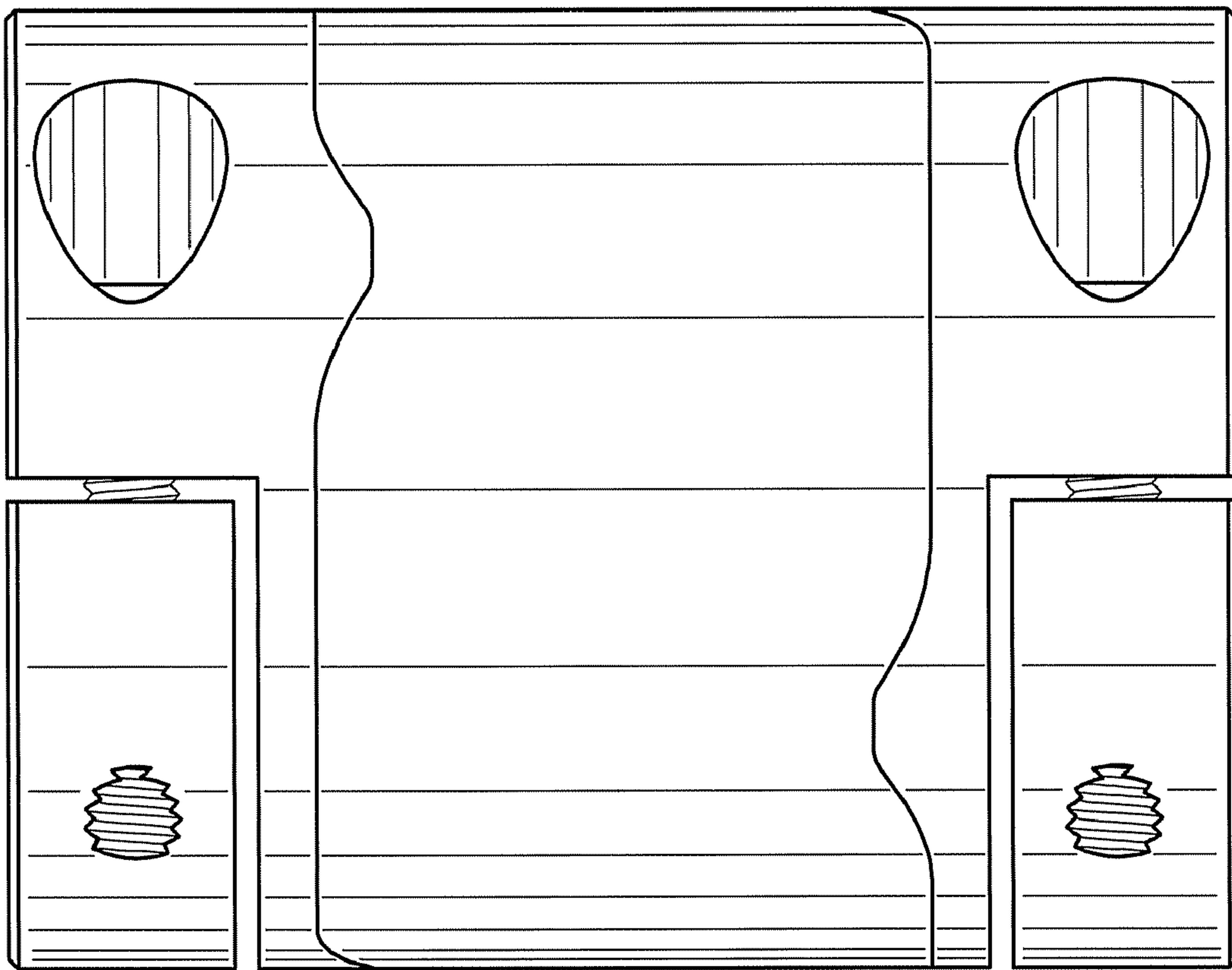
**1 Claim, 7 Drawing Sheets**



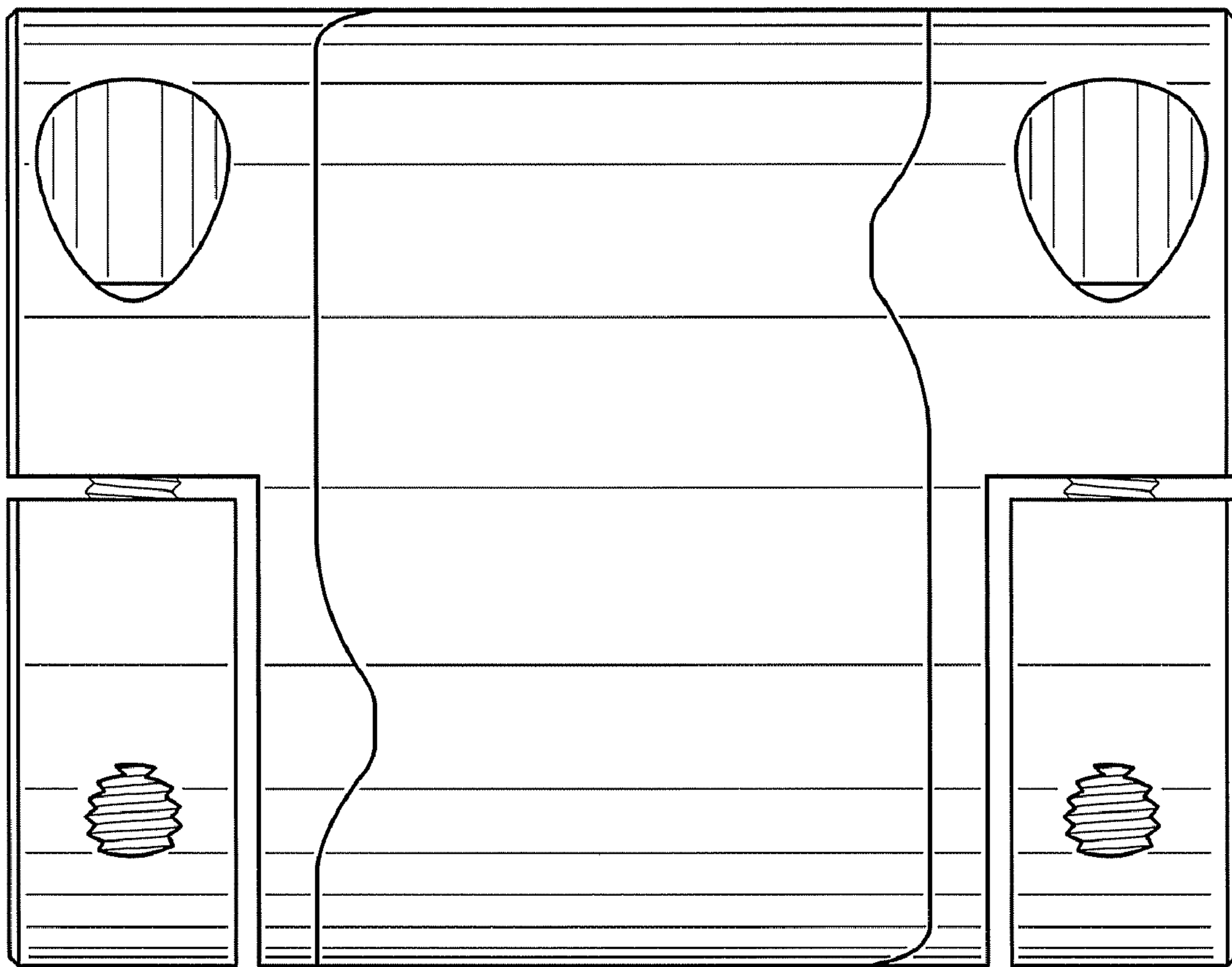
**FIG. 1**



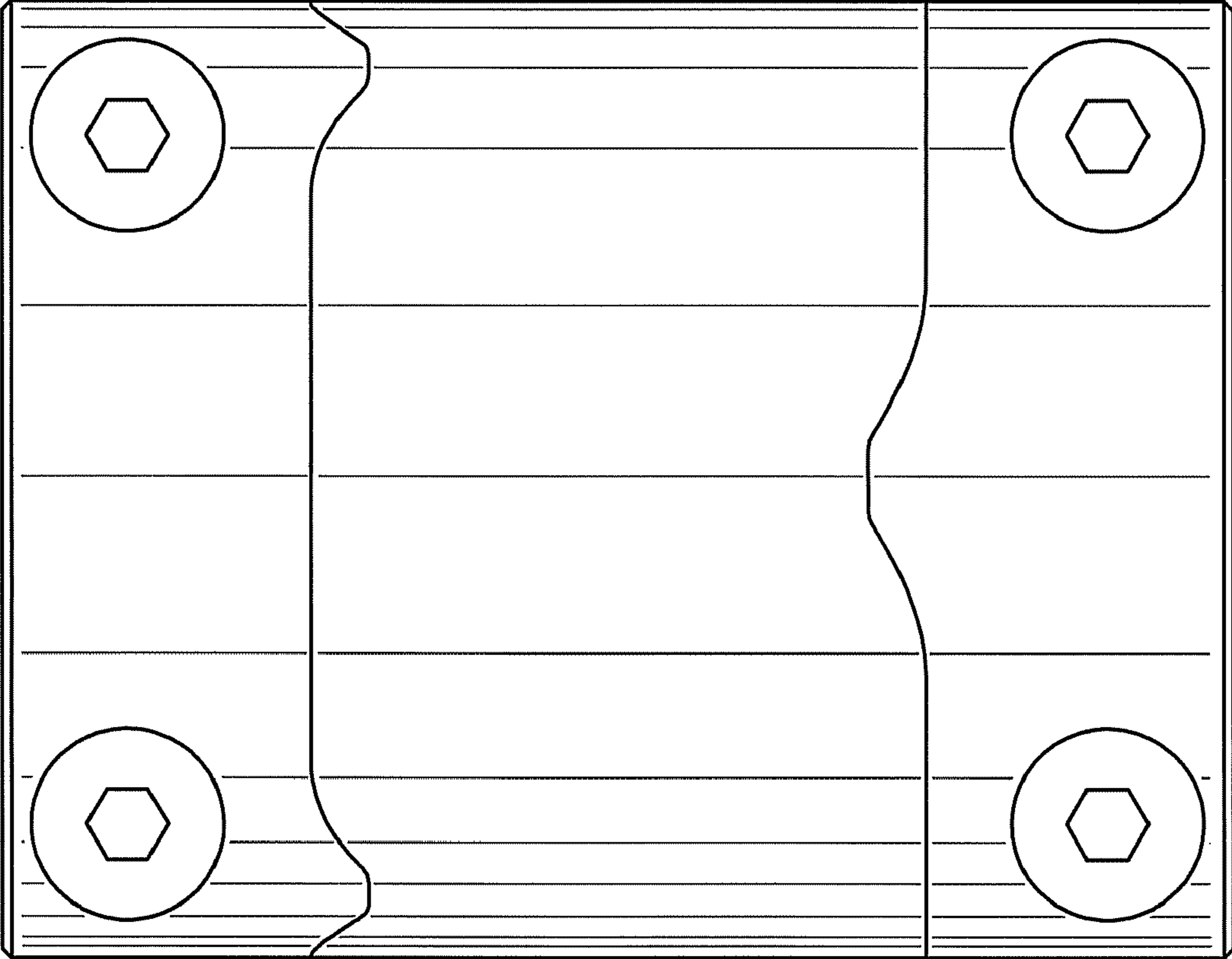
*FIG. 2*



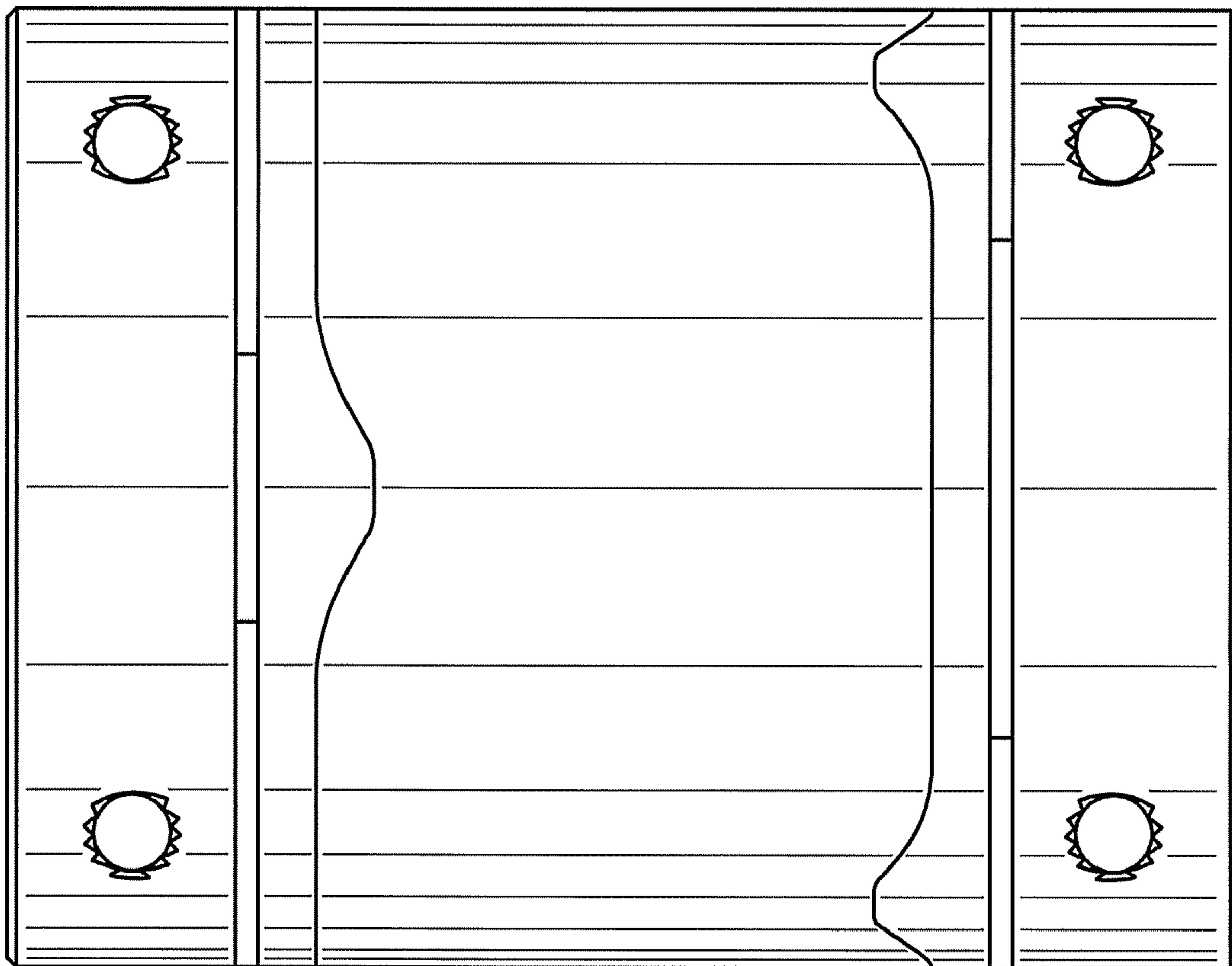
**FIG. 3**



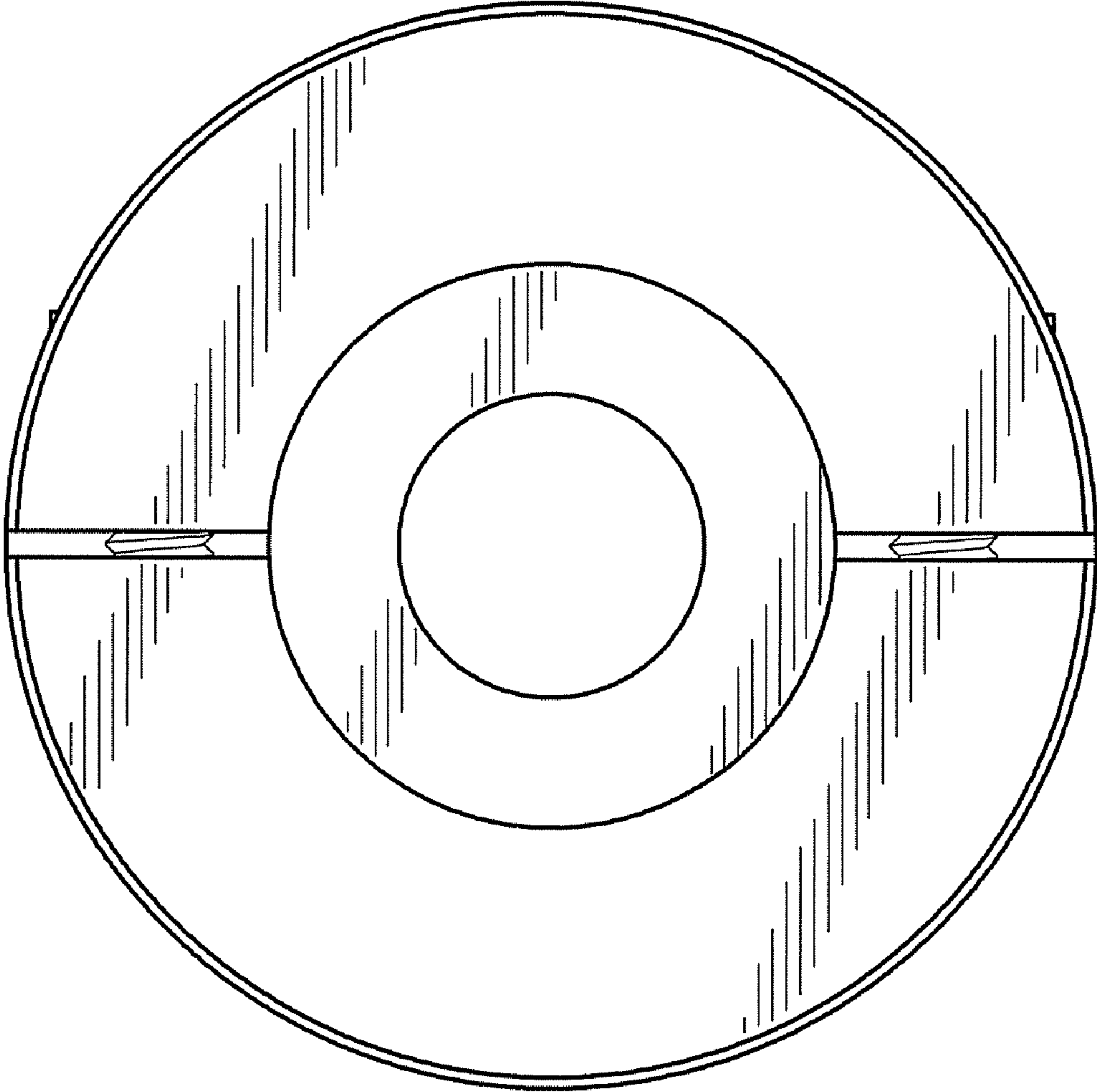
*FIG. 4*



**FIG. 5**



**FIG. 6**



***FIG. 7***

