



US00D573161S

(12) **United States Design Patent**
Betz et al.

(10) **Patent No.:** **US D573,161 S**
(45) **Date of Patent:** **** Jul. 15, 2008**

(54) **EARTH MOVING MACHINE**

(75) Inventors: **Michael D. Betz**, Knoxville, IL (US);
Stephen C. Garnett, Princeville, IL
(US); **Ashley D. Menges**, Radnor, OH
(US); **Amy L Moore-McKee**, Varna, IL
(US); **Paul S. Petersen**, Washington, IL
(US); **Gerald A. Nuese**, Peoria, IL (US);
Daniel J. Whiting, Normal, IL (US)

(73) Assignee: **Caterpillar Inc.**, Peoria, IL (US)

(**) Term: **14 Years**

(21) Appl. No.: **29/293,705**

(22) Filed: **Dec. 7, 2007**

(51) **LOC (8) Cl.** **12-09**

(52) **U.S. Cl.** **D15/25; D15/24**

(58) **Field of Classification Search** D15/10,
D15/22-26, 33; D21/537; 180/9.1, 9.21,
180/9.28, 9.3, 9.5, 89.12, 900

See application file for complete search history.

(56) **References Cited**

U.S. PATENT DOCUMENTS

D251,845 S *	5/1979	Joupperi et al.	D15/24
D274,333 S *	6/1984	Meisel et al.	D15/24
D274,621 S *	7/1984	Takamatsu et al.	D15/24
D302,276 S *	7/1989	Briggs et al.	D15/24
D364,879 S *	12/1995	Bastian et al.	D15/24
D499,748 S *	12/2004	Komatsu et al.	D15/24
6,863,461 B2 *	3/2005	Werner	403/43

D538,303 S *	3/2007	Kumagai et al.	D15/24
D543,557 S *	5/2007	Kumagai et al.	D15/24
D551,683 S *	9/2007	Kumagai et al.	D15/24
D552,629 S *	10/2007	Kumagai et al.	D15/24
D556,789 S *	12/2007	Kitayama et al.	D15/24
2005/0077062 A1 *	4/2005	Fukazawa et al.	172/776
2007/0056786 A1 *	3/2007	Fukazawa et al.	180/89.12
2007/0080236 A1 *	4/2007	Betz et al.	237/12.1

* cited by examiner

Primary Examiner—Stella M. Reid

Assistant Examiner—Mark A Goodwin

(74) *Attorney, Agent, or Firm*—Jeff A. Greene

(57) **CLAIM**

The ornamental design for an earth moving machine, as shown and described.

DESCRIPTION

FIG. 1 is a left side elevational view of an earth moving machine showing our new design;

FIG. 2 is a right side view thereof;

FIG. 3 is a frontal view thereof

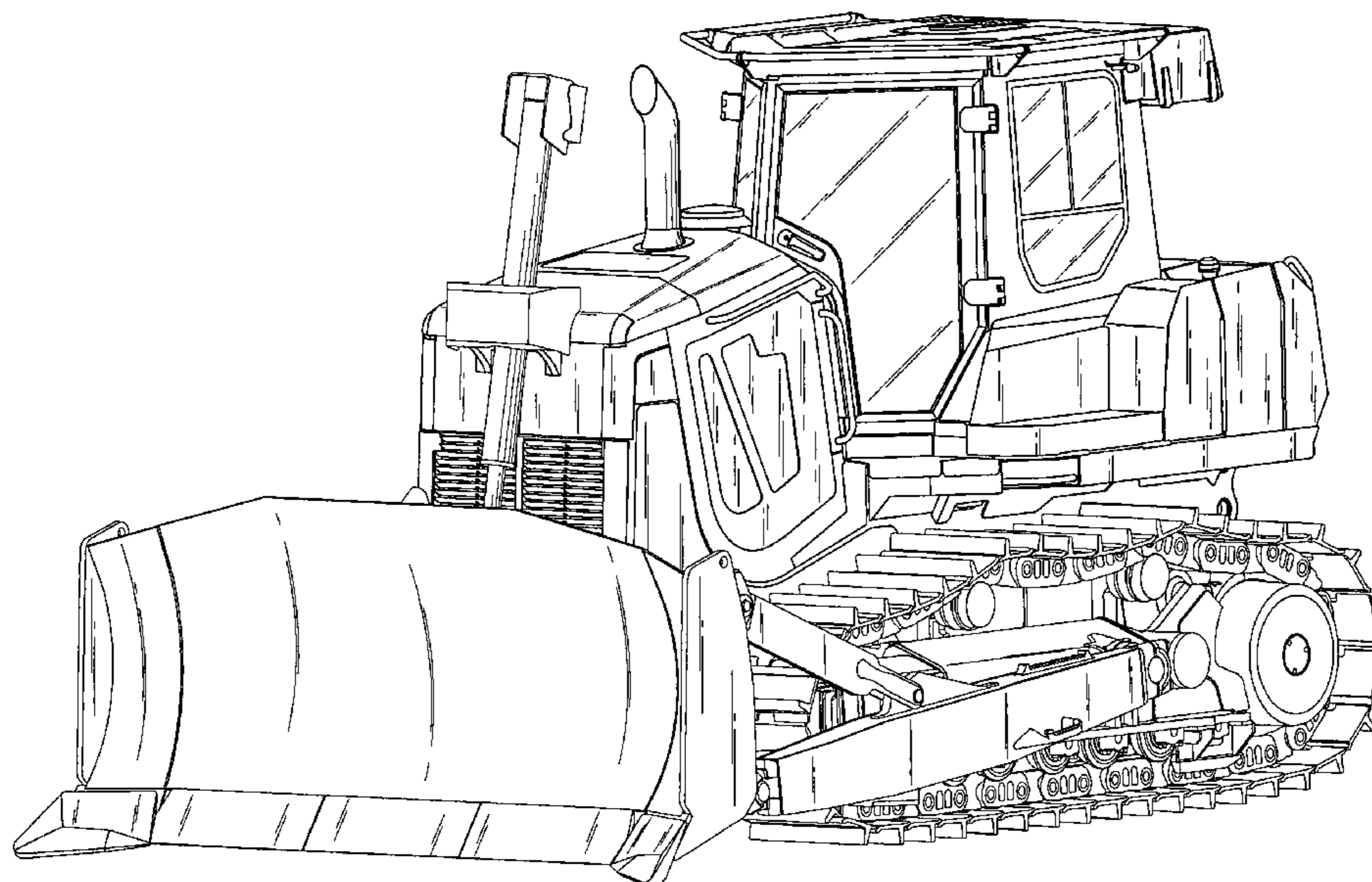
FIG. 4 is a top view thereof;

FIG. 5 is a rear view thereof; and,

FIG. 6 is a right side perspective view thereof.

Only the shapes and portions bounded by solid lines form the claimed design. The bottom view is not visible during normal use of the machine and does not form part of the claimed design and therefore is not shown or disclosed.

1 Claim, 6 Drawing Sheets



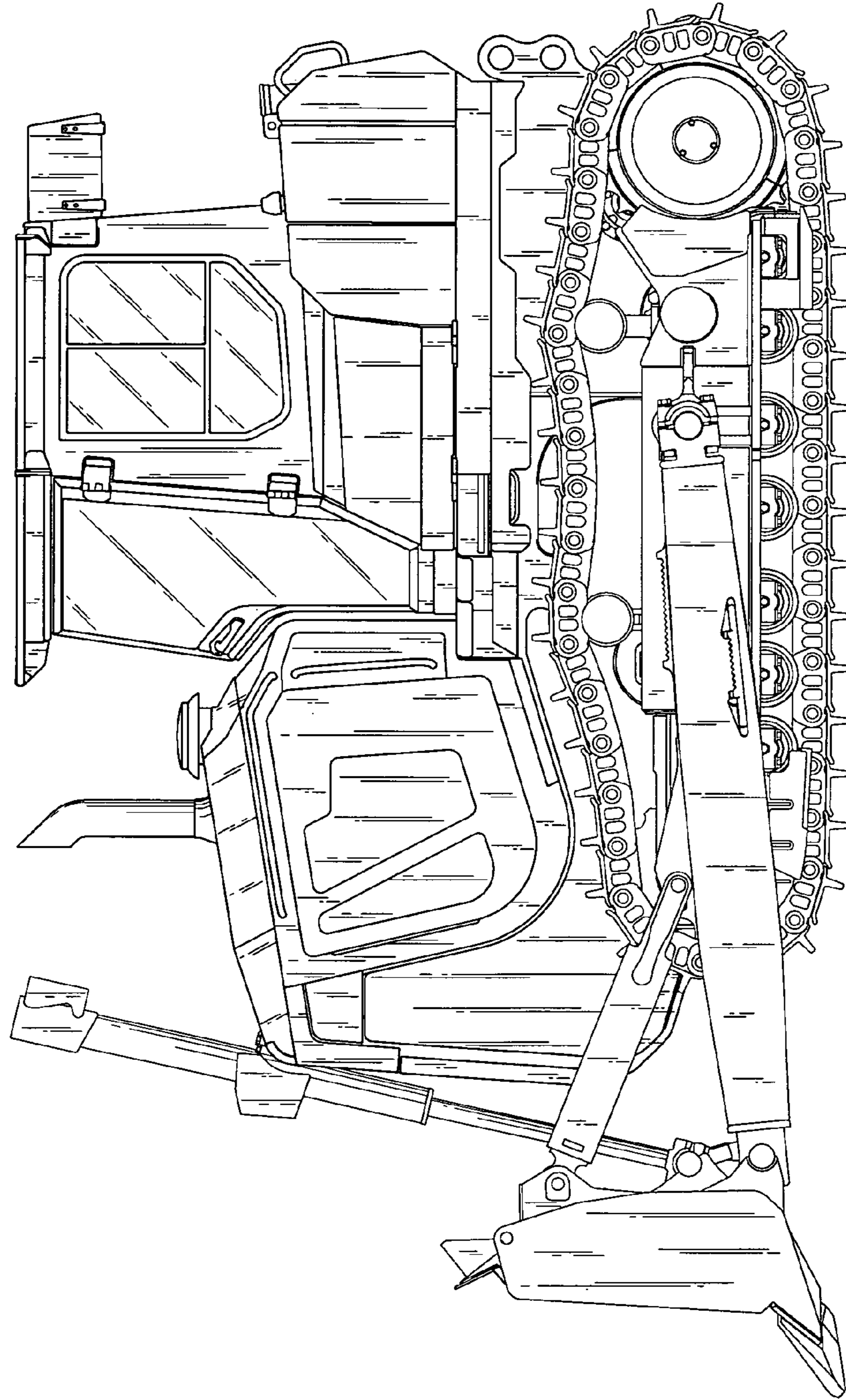


FIG. 1

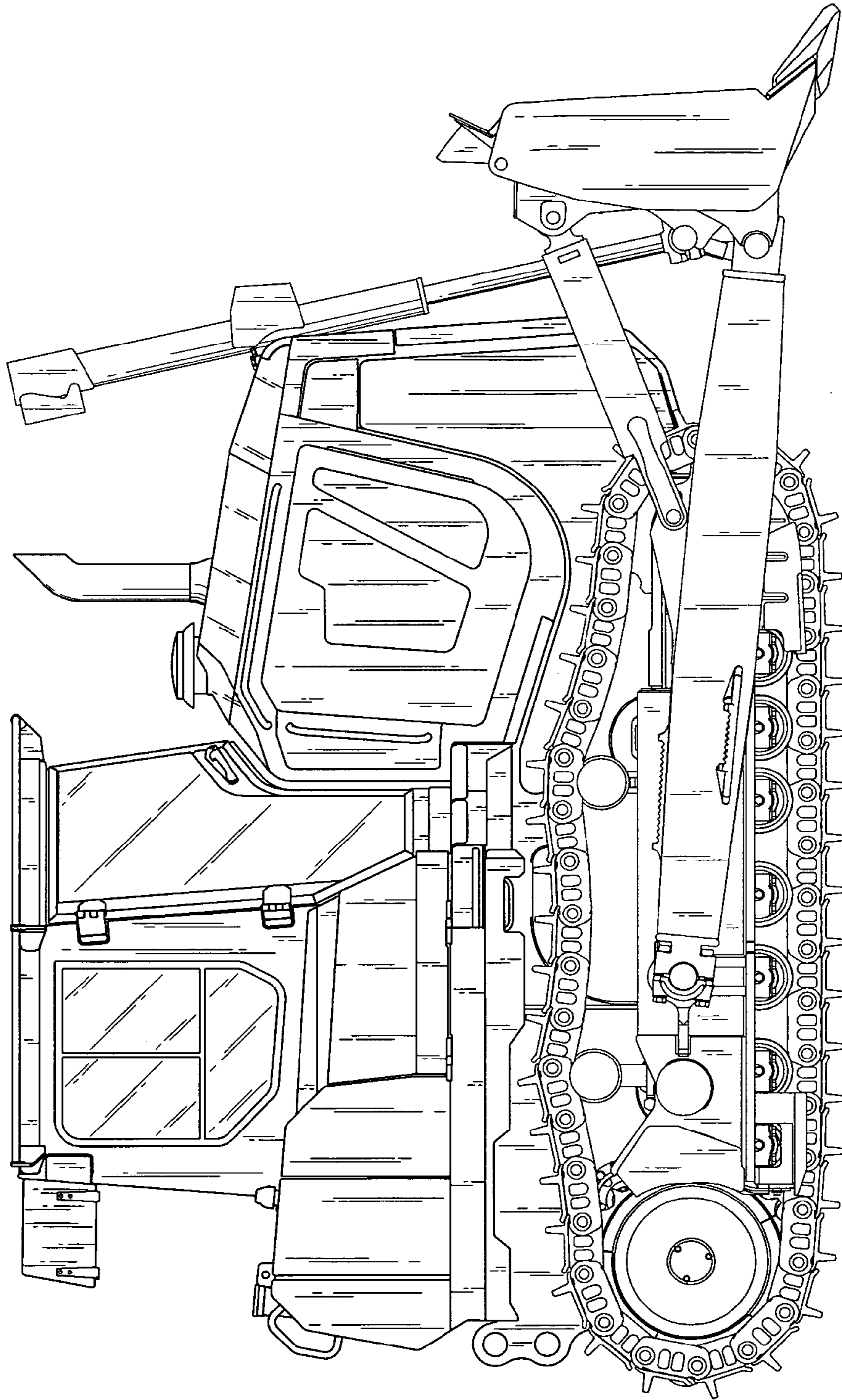
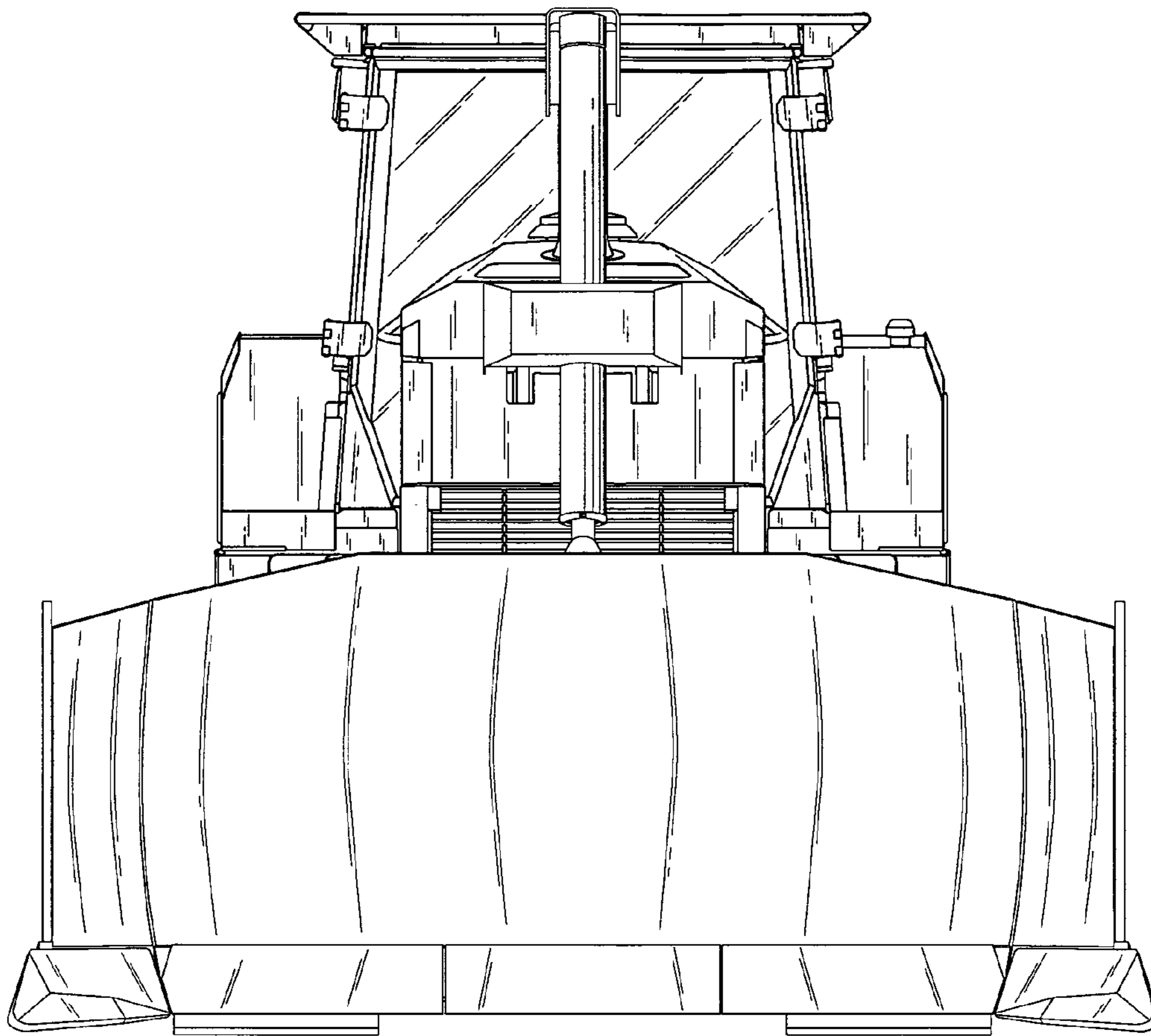


FIG. 2

FIG. 3



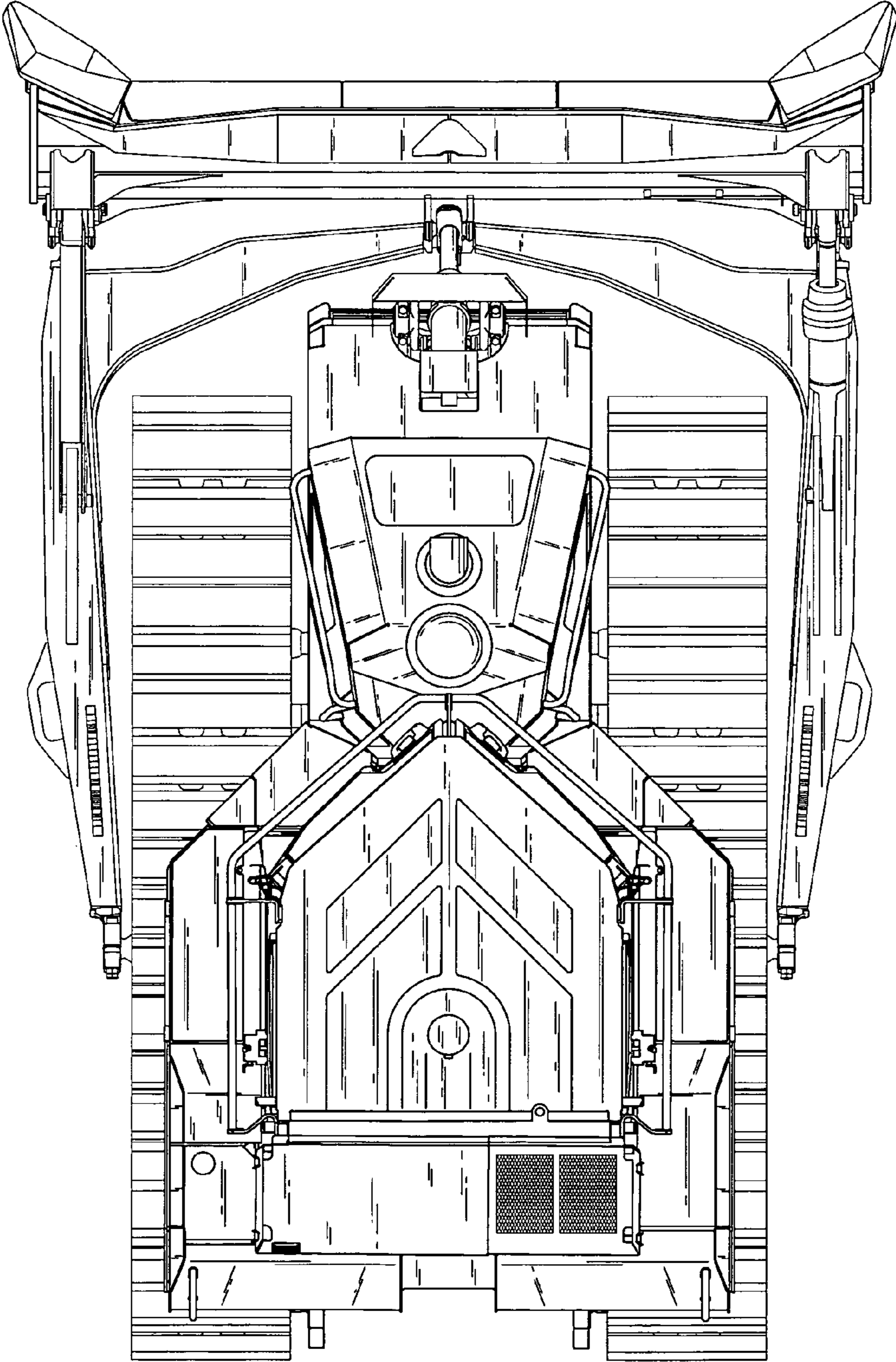
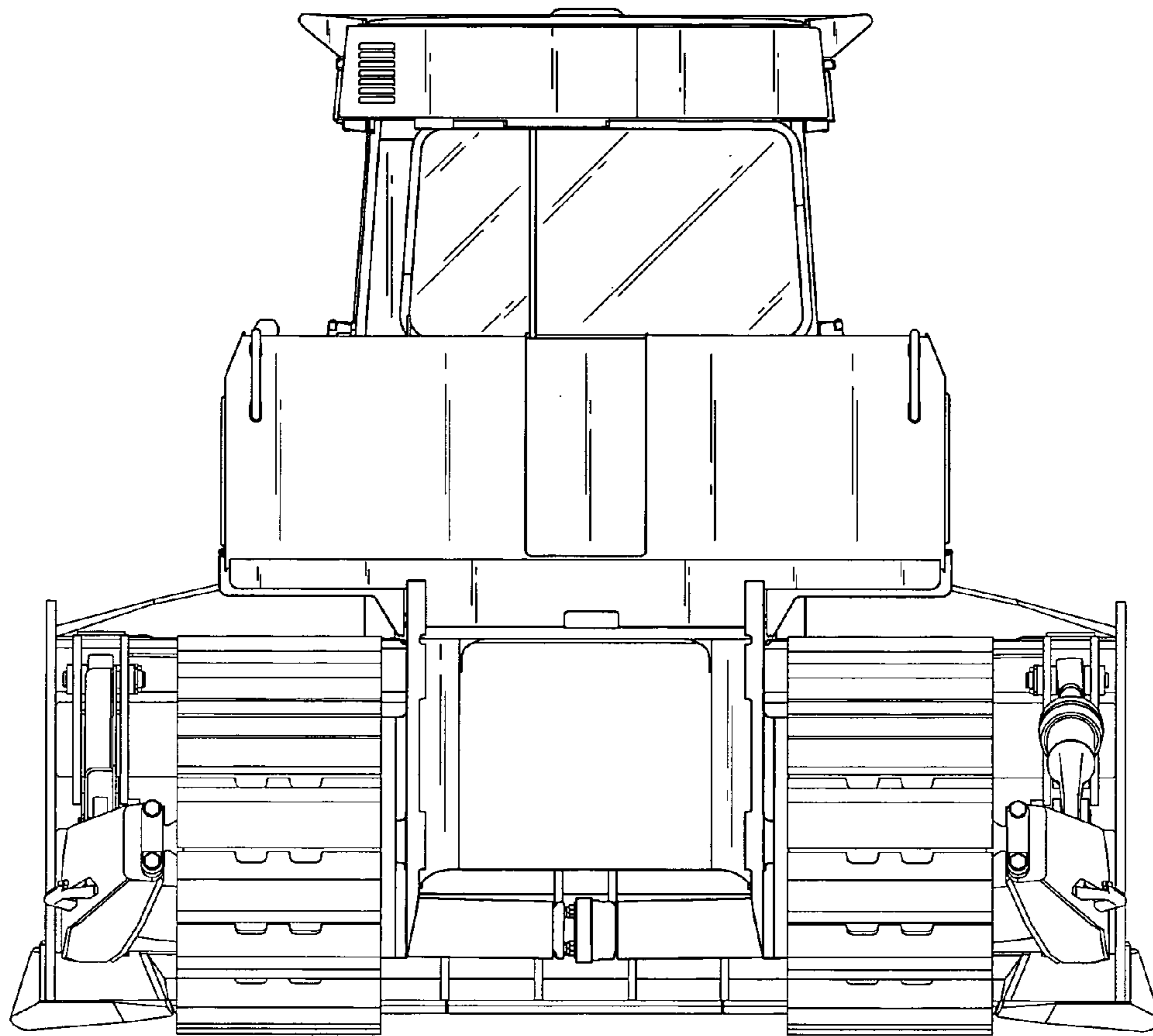


FIG. 4

FIG. 5



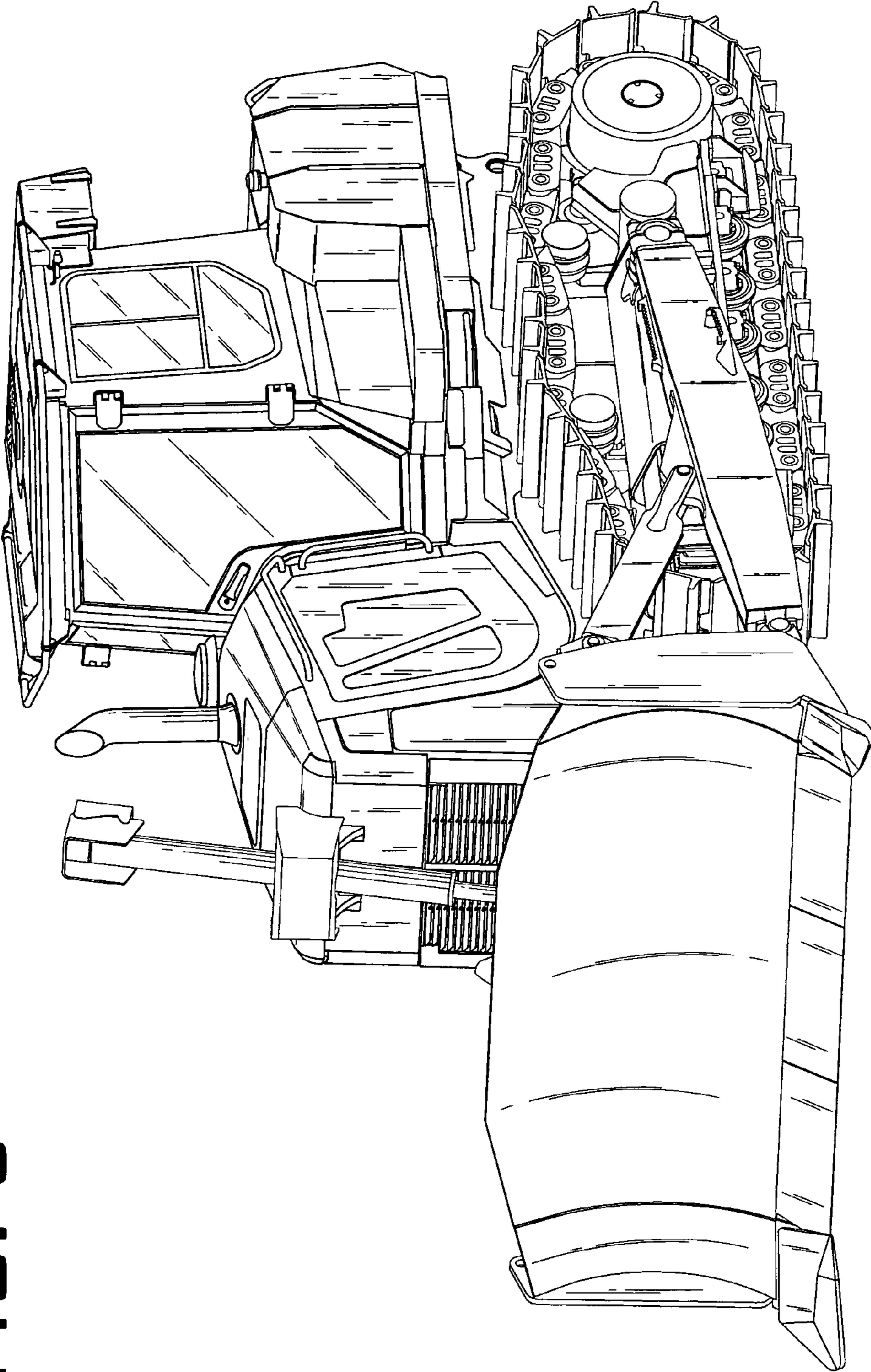


FIG. 6