



US00D573160S

(12) **United States Design Patent**
Kato

(10) **Patent No.:** **US D573,160 S**
(45) **Date of Patent:** **** Jul. 15, 2008**

(54) **SHOVEL LOADER**

(75) Inventor: **Naoto Kato**, Kariya (JP)

(73) Assignee: **Kabushiki Kaisha Toyota Jidoshokki**,
Kariya-shi (JP)

(**) Term: **14 Years**

(21) Appl. No.: **29/292,684**

(22) Filed: **Oct. 23, 2007**

(30) **Foreign Application Priority Data**

Apr. 24, 2007 (JP) 2007-011042
Apr. 24, 2007 (JP) 2007-011043

(51) **LOC (8) Cl.** **12-09**

(52) **U.S. Cl.** **D15/25**

(58) **Field of Classification Search** D15/10,
D15/22-26; 414/685, 686; 180/89.1, 89.12,
180/900

See application file for complete search history.

(56) **References Cited**

U.S. PATENT DOCUMENTS

D224,588 S * 8/1972 Bauer D15/23
D231,482 S * 4/1974 Bauer D15/25
3,828,952 A * 8/1974 Klee 414/697
3,895,728 A * 7/1975 Heggen 414/697
3,963,131 A * 6/1976 Dimmer 414/697
4,055,262 A * 10/1977 Bauer et al. 414/697
D247,814 S * 5/1978 Johnson et al. D15/23
D251,088 S * 2/1979 Johnson et al. D15/23
D259,631 S 6/1981 Ramacciotti
4,295,779 A * 10/1981 Shumaker 414/685
D272,825 S 2/1984 Cochran et al.
D272,826 S 2/1984 Cochran et al.
4,705,449 A * 11/1987 Christianson et al. 414/685
D314,389 S * 2/1991 Lynnes et al. D15/25
D317,926 S 7/1991 Lynnes et al.
D322,792 S 12/1991 Park
5,169,277 A * 12/1992 Orser et al. 414/685
5,169,278 A * 12/1992 Hoechst et al. 414/685
5,240,366 A * 8/1993 Bamford 414/686

5,470,190 A * 11/1995 Bamford et al. 414/686
D376,372 S 12/1996 Little et al.
5,807,061 A * 9/1998 Donoghue et al. 414/710
D419,568 S 1/2000 Baig et al.
D423,521 S 4/2000 Walter et al.
D424,778 S 5/2000 Dahl et al.
6,079,938 A * 6/2000 Anderson et al. 414/685
6,098,739 A * 8/2000 Anderson et al. 180/312
6,138,786 A * 10/2000 Anderson et al. 180/312
6,205,665 B1 * 3/2001 Anderson et al. 29/897.2
6,283,220 B1 * 9/2001 Carter 169/24
6,293,364 B1 * 9/2001 Anderson et al. 180/312
D450,718 S 11/2001 Muraro
D468,754 S * 1/2003 Dershem et al. D15/28

(Continued)

FOREIGN PATENT DOCUMENTS

JP 0863011 3/1993
JP 1070695 5/2000
JP 1193286 1/2004
JP 1229609 2/2005

Primary Examiner—Stella M. Reid

Assistant Examiner—Mark A Goodwin

(74) *Attorney, Agent, or Firm*—Morgan & Finnegan, LLP

(57) **CLAIM**

The ornamental design for a shovel loader, as shown and described.

DESCRIPTION

FIG. 1 is a front perspective view of a shovel loader showing my new design;

FIG. 2 is a rear perspective view thereof;

FIG. 3 is a front view thereof;

FIG. 4 is a rear view thereof;

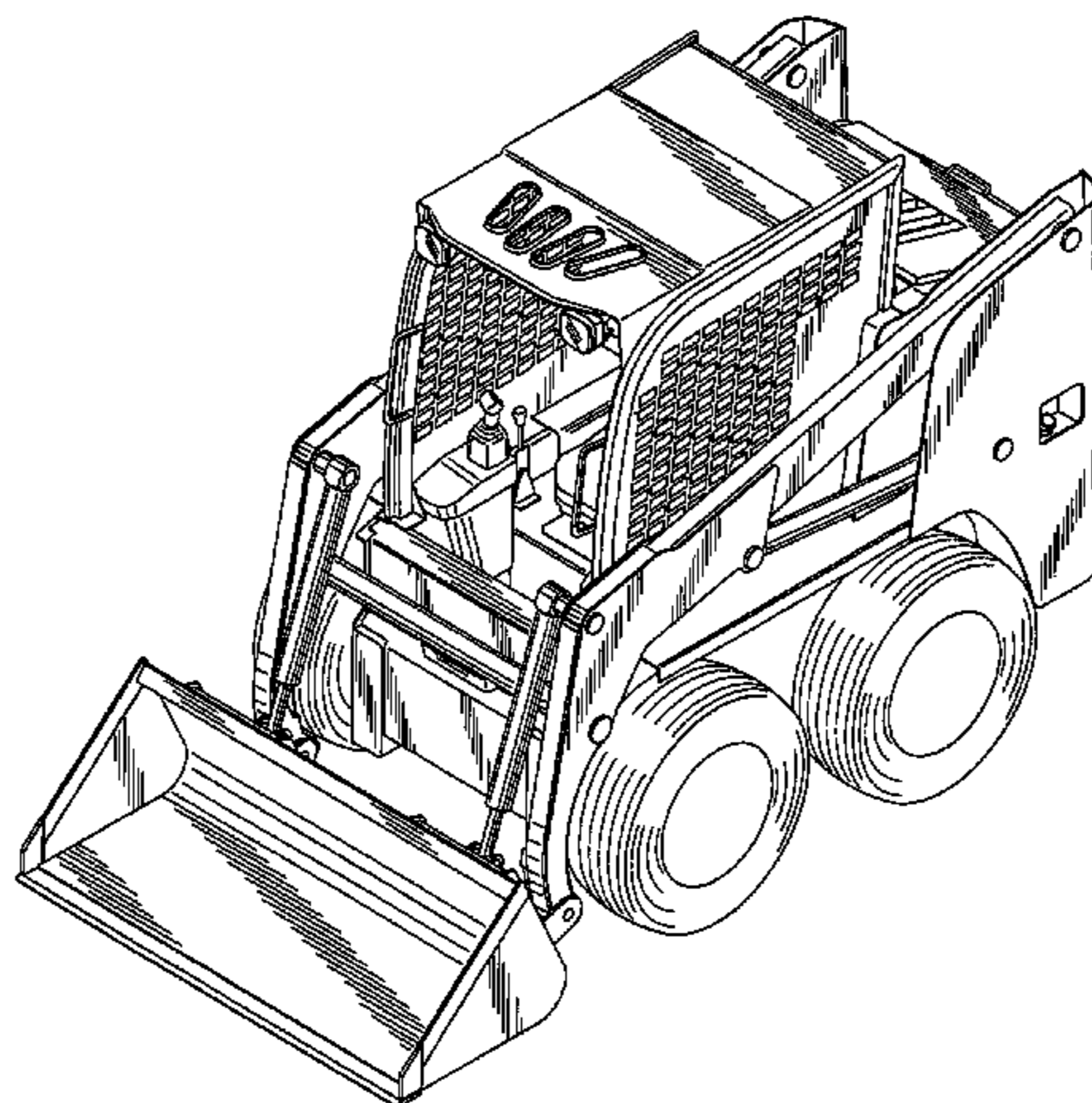
FIG. 5 is a top plan view thereof;

FIG. 6 is a left side elevational view thereof; and,

FIG. 7 is a right side elevational view thereof.

The bottom of the article forms no part of the claimed design.

1 Claim, 7 Drawing Sheets



US D573,160 S

Page 2

U.S. PATENT DOCUMENTS						
			2004/0018078	A1*	1/2004	Vicars et al. 414/900
D492,327	S	6/2004	Albright et al.			
6,796,762	B2	9/2004	Vicars, III et al.	2005/0196262	A1*	9/2005 Yamashita 414/685
D504,136	S *	4/2005	Albright et al. D15/23	2006/0182591	A1*	8/2006 Hackett et al. 414/685
D520,525	S	5/2006	Enmeiji et al.	2006/0269386	A1*	11/2006 Layko et al. 414/685
2002/0064445	A1*	5/2002	Dershem et al. 414/686			

* cited by examiner

FIG. 1

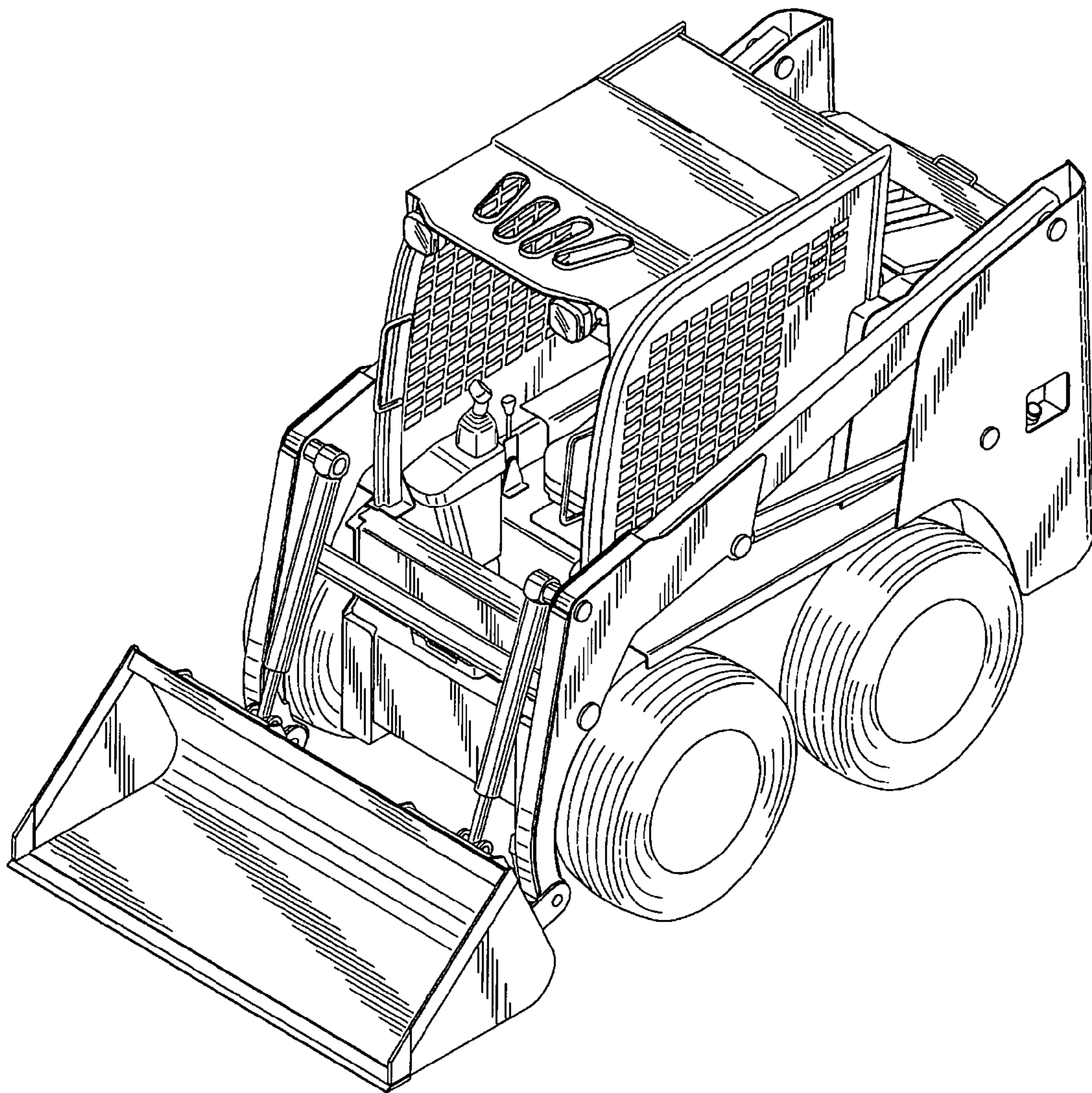


FIG. 2

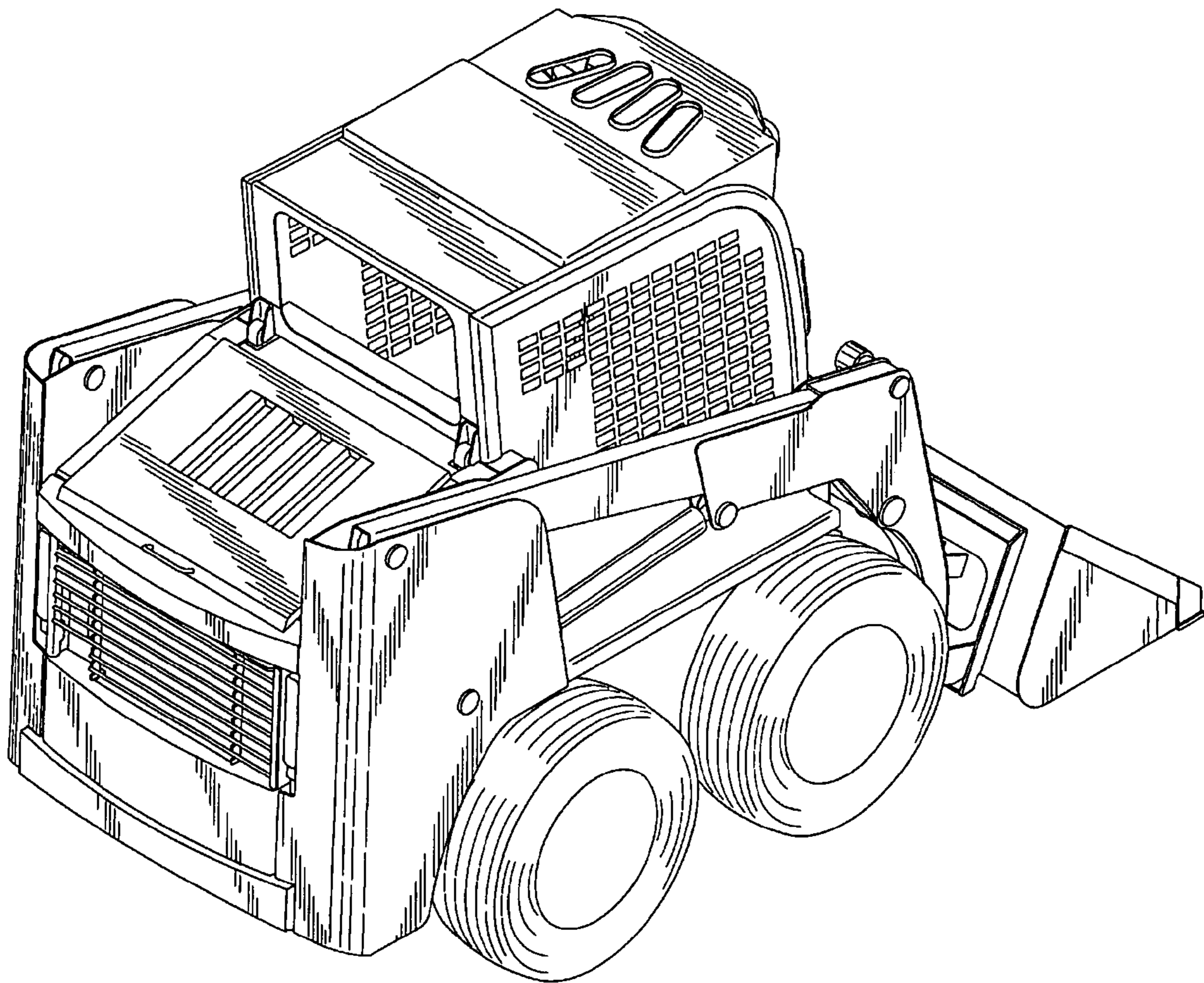


FIG. 3

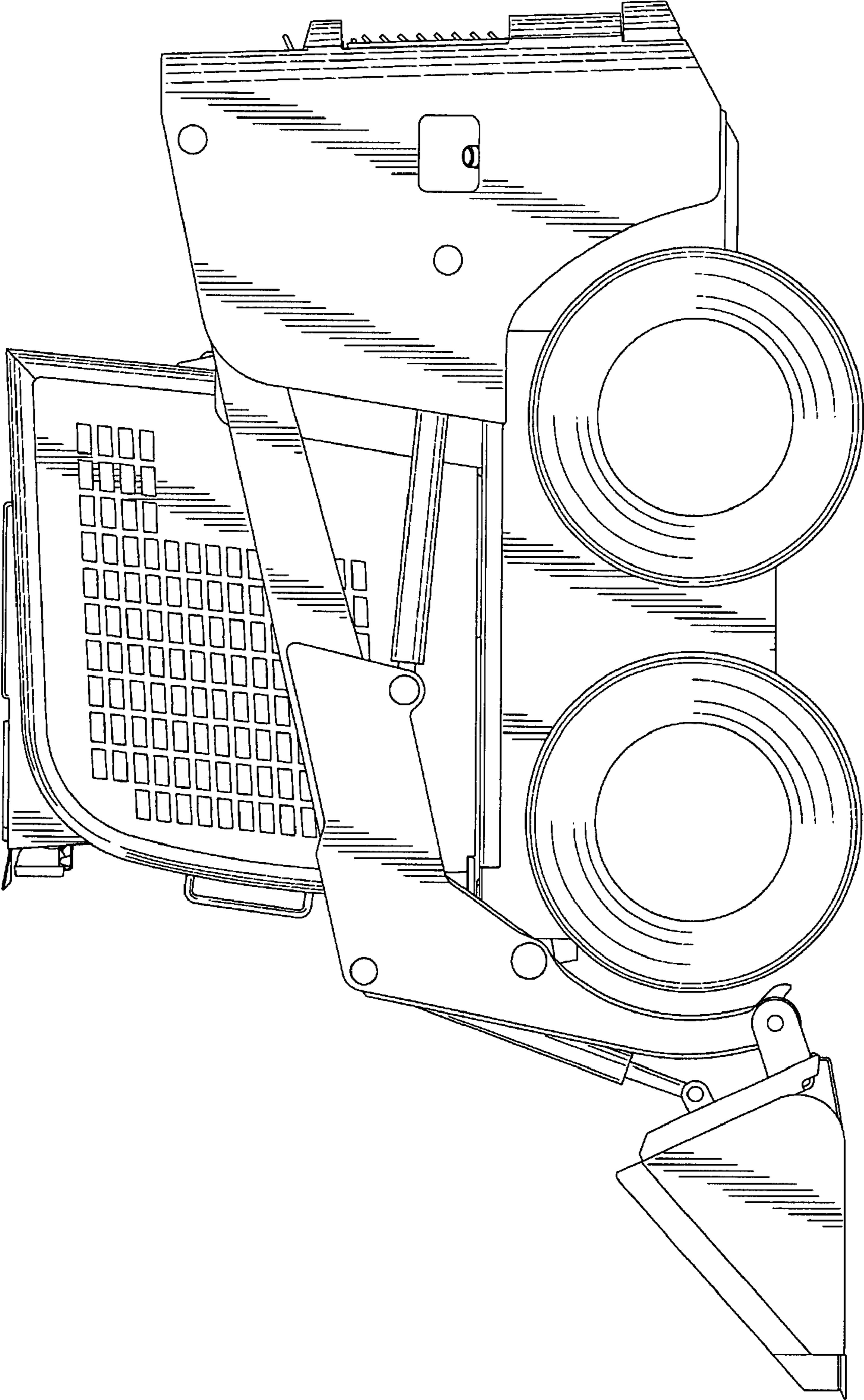


FIG. 4

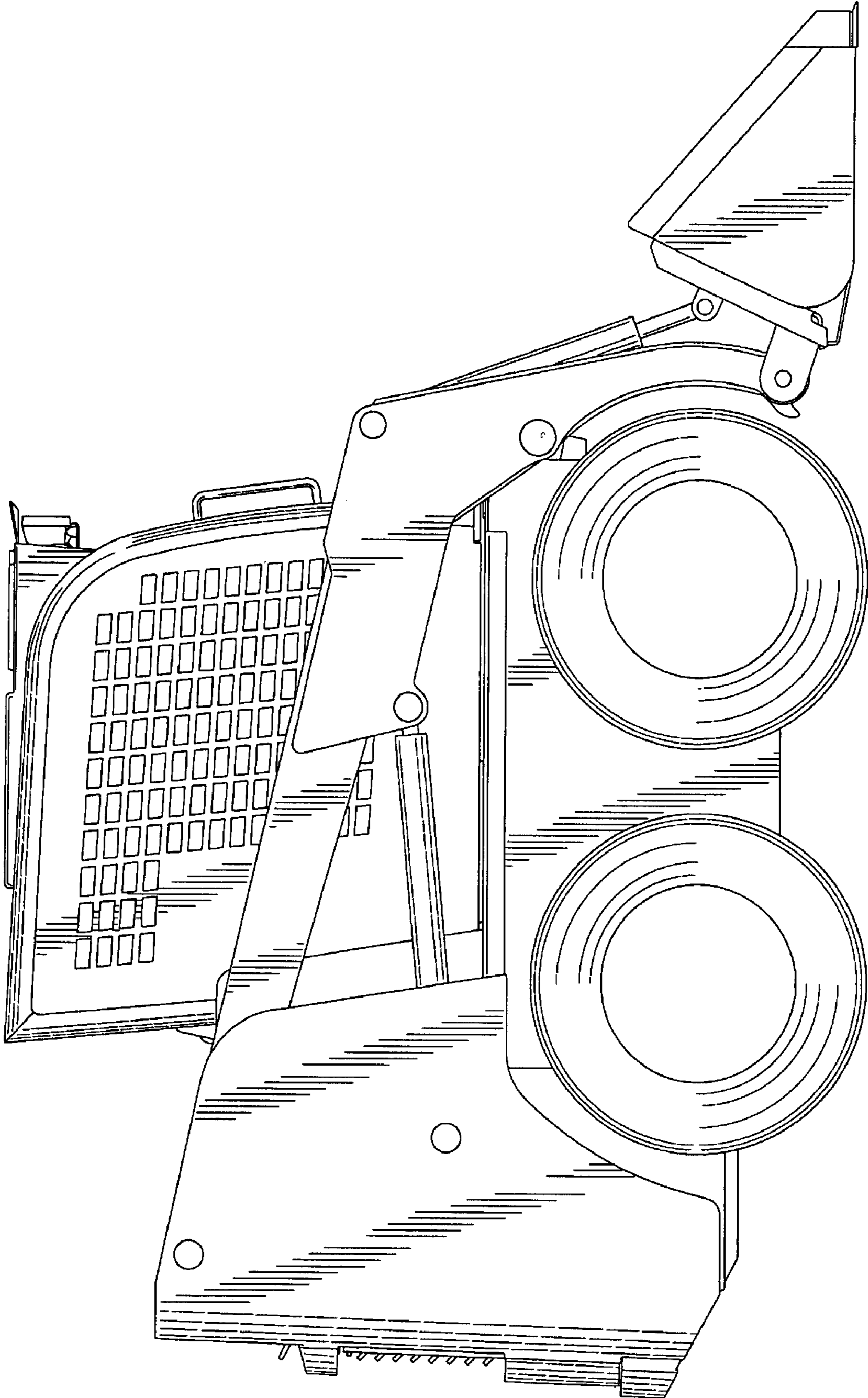


FIG. 5

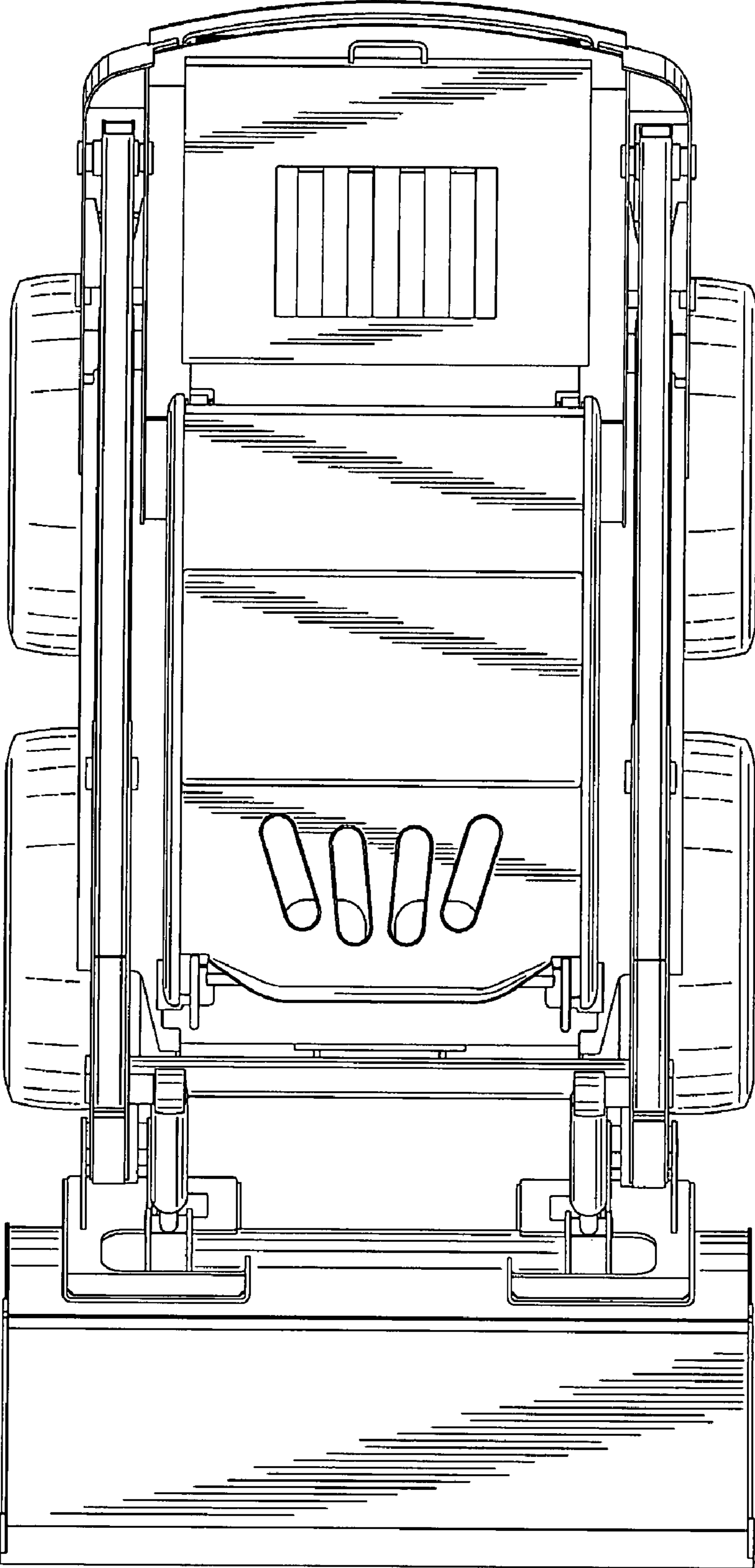


FIG. 6

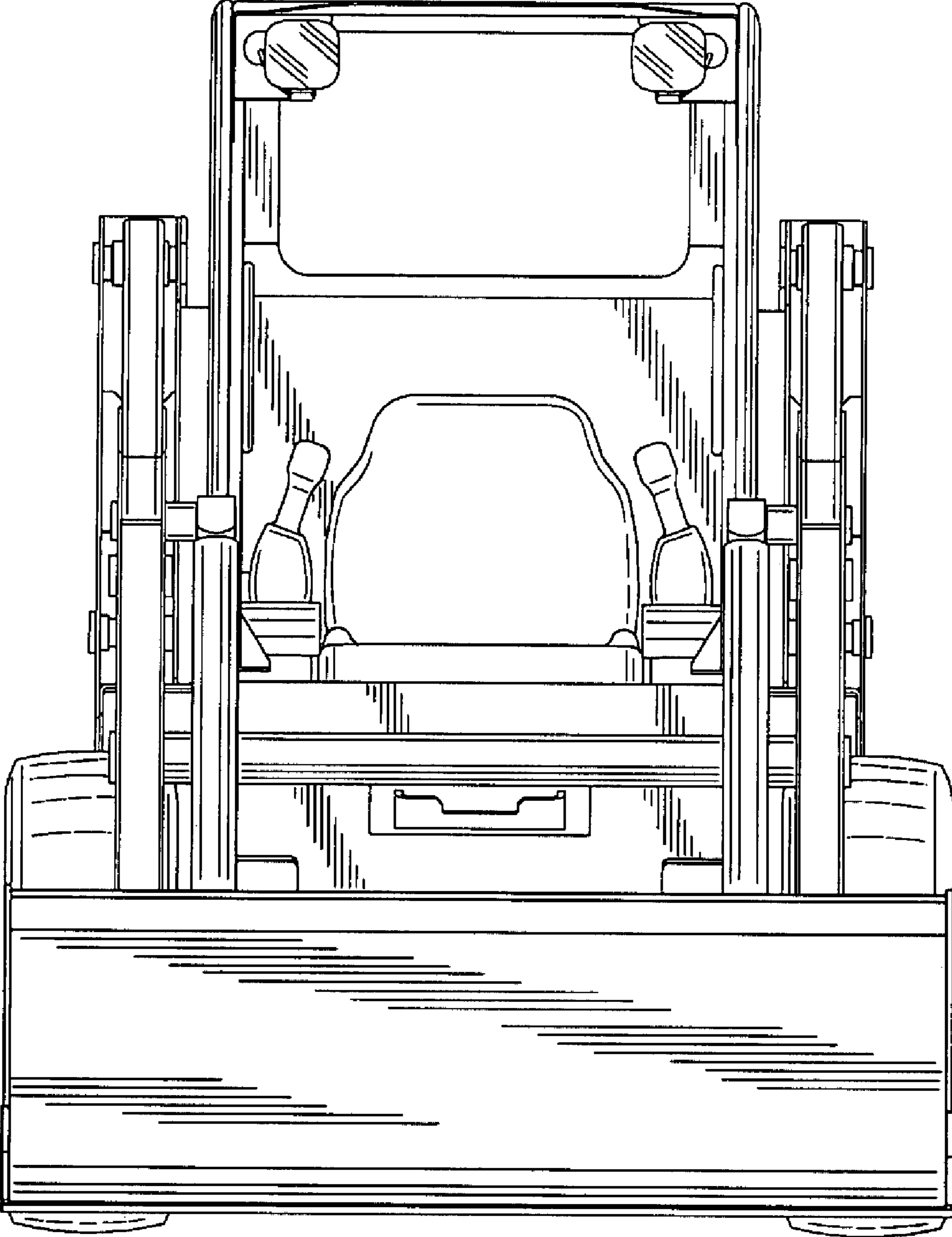


FIG. 7

