



US00D573159S

(12) **United States Design Patent**  
**Etter**

(10) **Patent No.:** **US D573,159 S**  
(45) **Date of Patent:** **\*\* Jul. 15, 2008**

(54) **COMPRESSOR**

(75) Inventor: **Wolfgang Etter**, Frickenhausen (DE)

(73) Assignee: **Bock Kältemaschinen GmbH** (DE)

(\*\*) Term: **14 Years**

(21) Appl. No.: **29/283,239**

(22) Filed: **Aug. 8, 2007**

(30) **Foreign Application Priority Data**

Jul. 6, 2007 (EM) ..... 000753587

(51) **LOC (8) Cl.** ..... **15-01**

(52) **U.S. Cl.** ..... **D15/7**

(58) **Field of Classification Search** ..... D15/7-9;  
D23/231; 417/410.1, 359, 415-416, 234,  
417/321, 265, 405

See application file for complete search history.

(56) **References Cited**

**U.S. PATENT DOCUMENTS**

D283,224 S \* 4/1986 Lametto et al. .... D15/7  
D470,155 S \* 2/2003 Makino et al. .... D15/9

D479,246 S \* 9/2003 Leu ..... D15/7  
D529,051 S \* 9/2006 Chu ..... D15/9  
D538,300 S \* 3/2007 Moser ..... D15/9  
D549,736 S \* 8/2007 Moser, III ..... D15/9

\* cited by examiner

*Primary Examiner*—R. Siefert

(74) *Attorney, Agent, or Firm*—Ostrolenk, Faber, Gerb & Soffen, LLP

(57) **CLAIM**

The ornamental design for a compressor, as shown.

**DESCRIPTION**

FIG. 1 is a front view of a compressor showing my new design;

FIG. 2 is a perspective, front, right side view thereof;

FIG. 3 is a perspective, rear, right side view thereof;

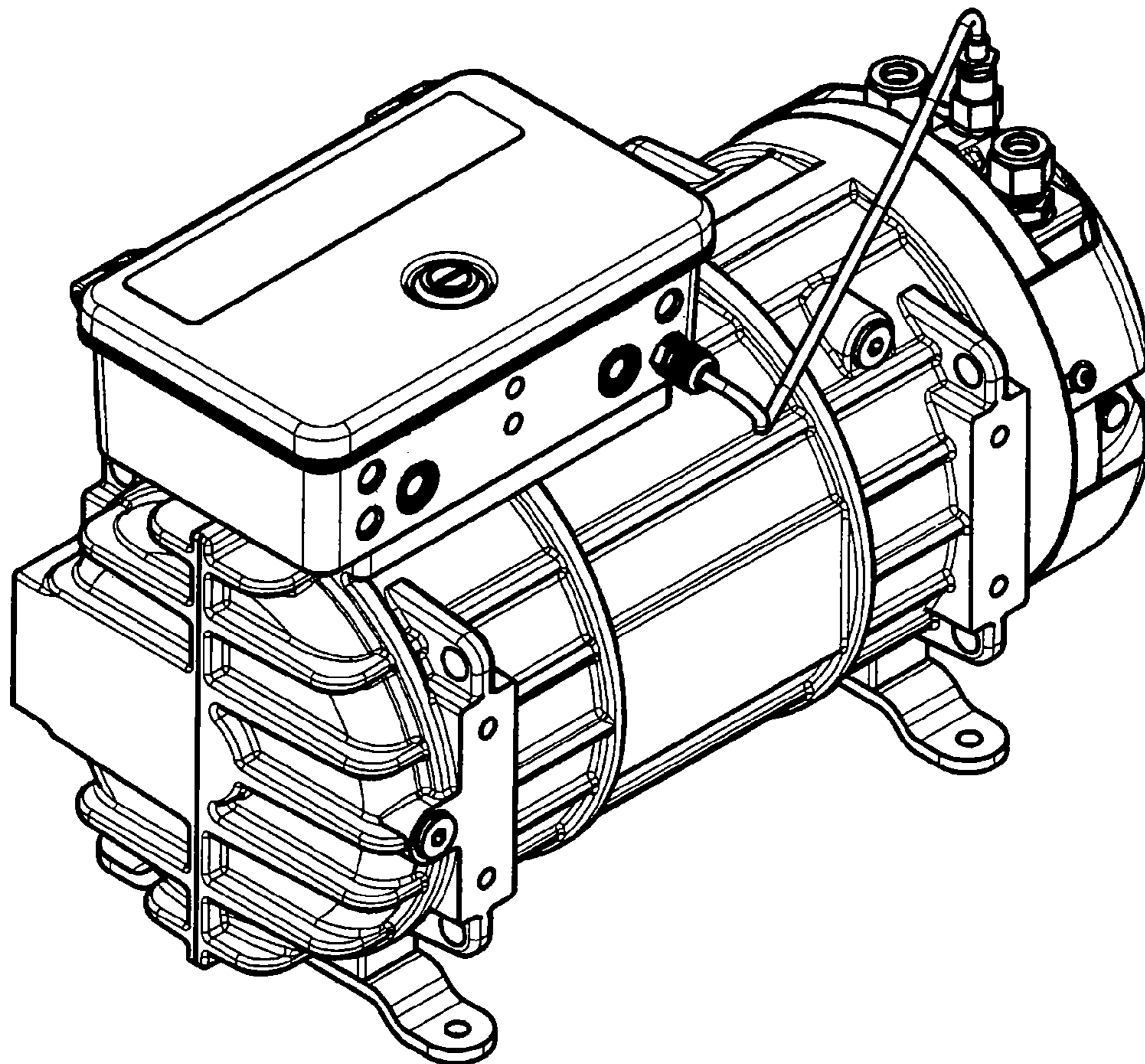
FIG. 4 is a right side view thereof;

FIG. 5 is a rear view thereof;

FIG. 6 is a perspective, rear, left side view thereof; and,

FIG. 7 is a top view thereof.

**1 Claim, 7 Drawing Sheets**



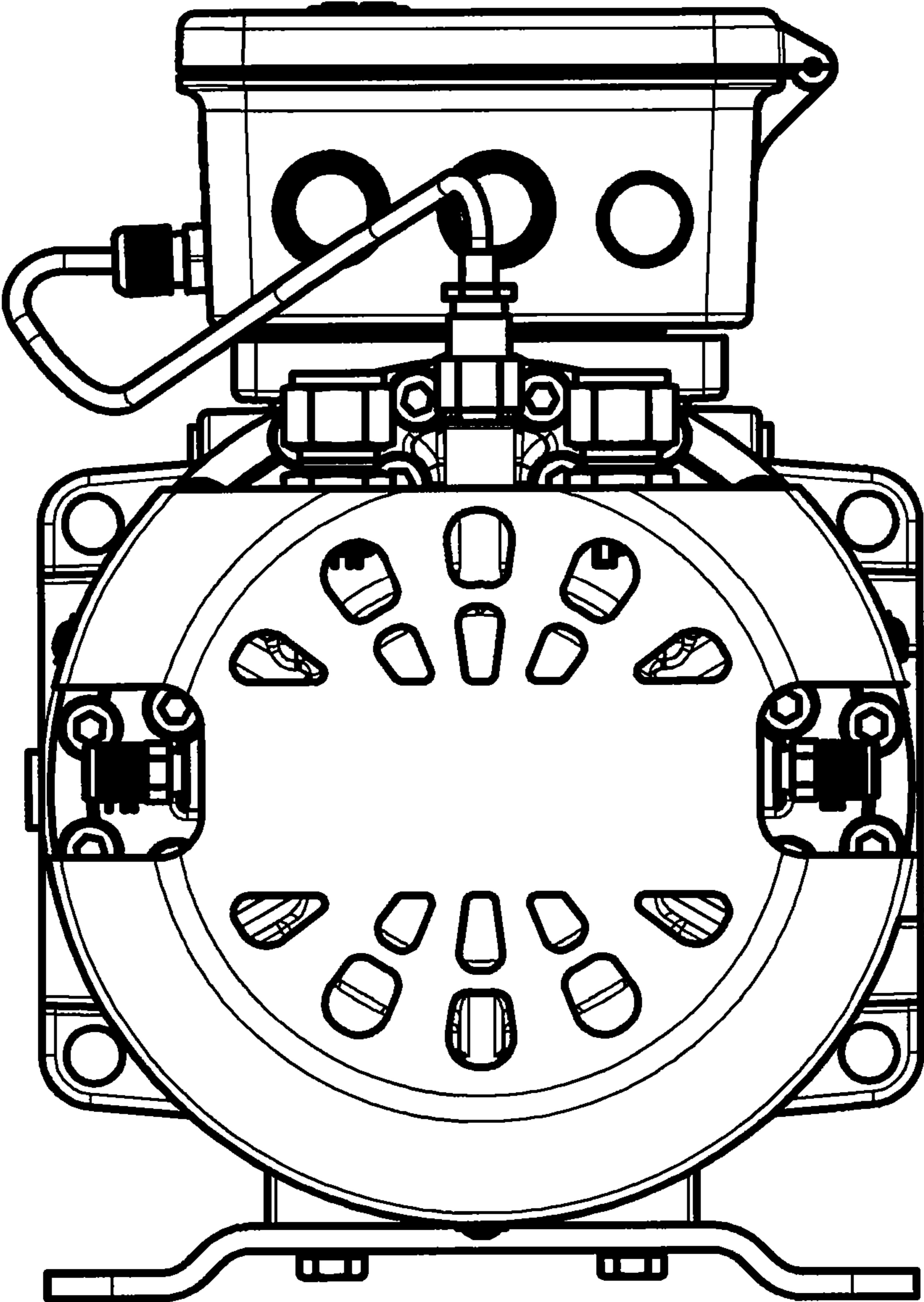


FIG. 1

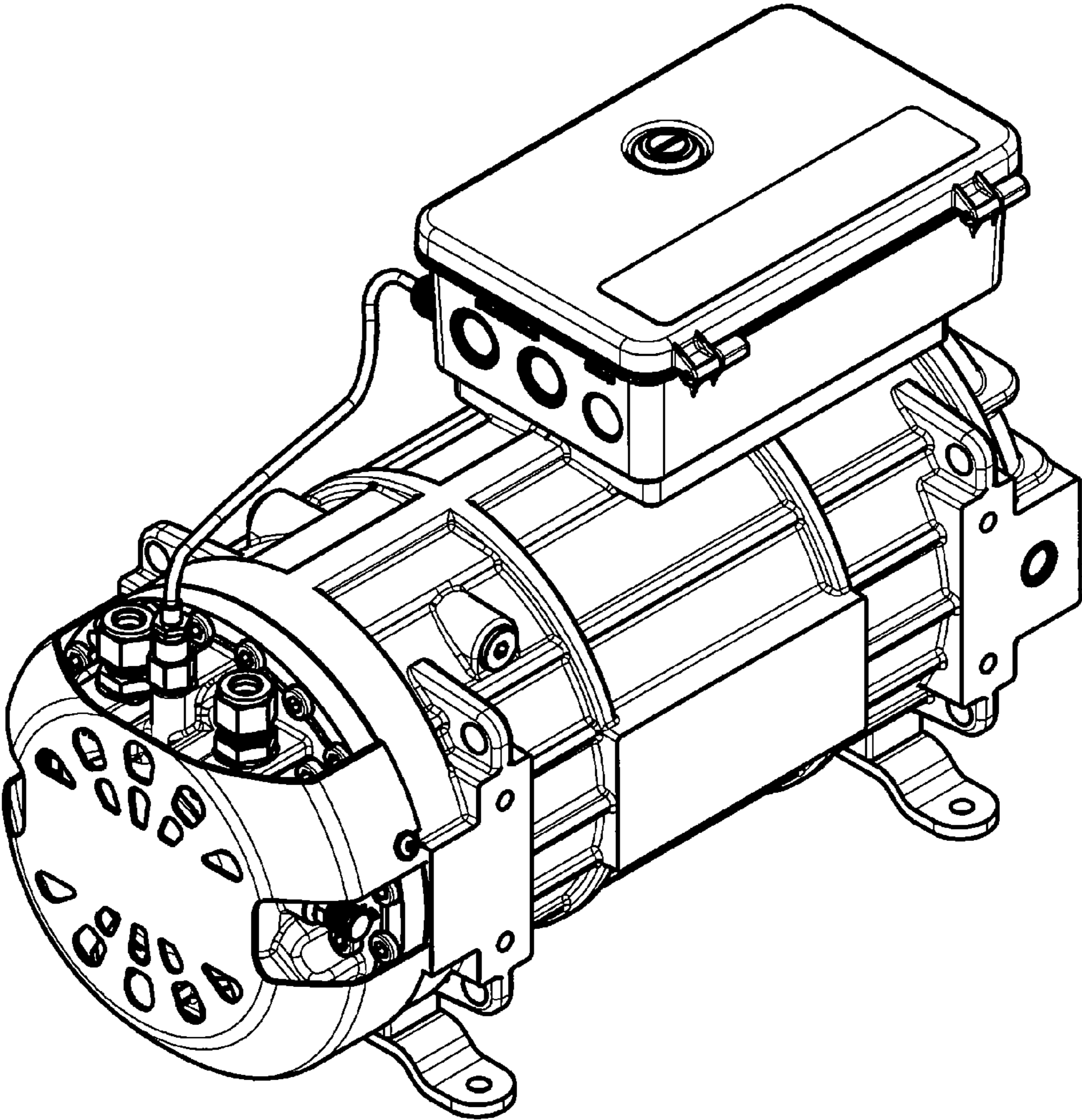


FIG. 2

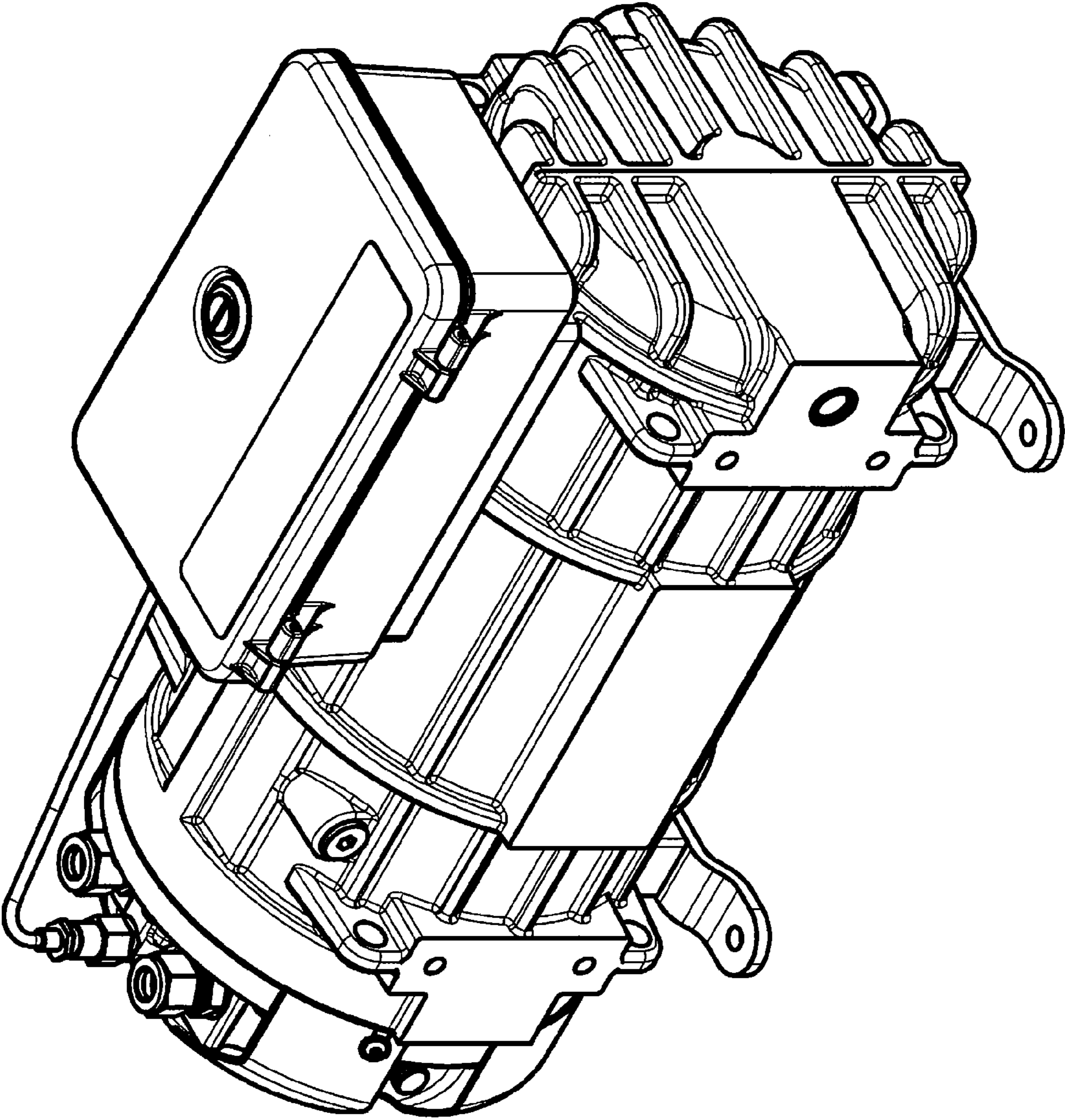


FIG. 3

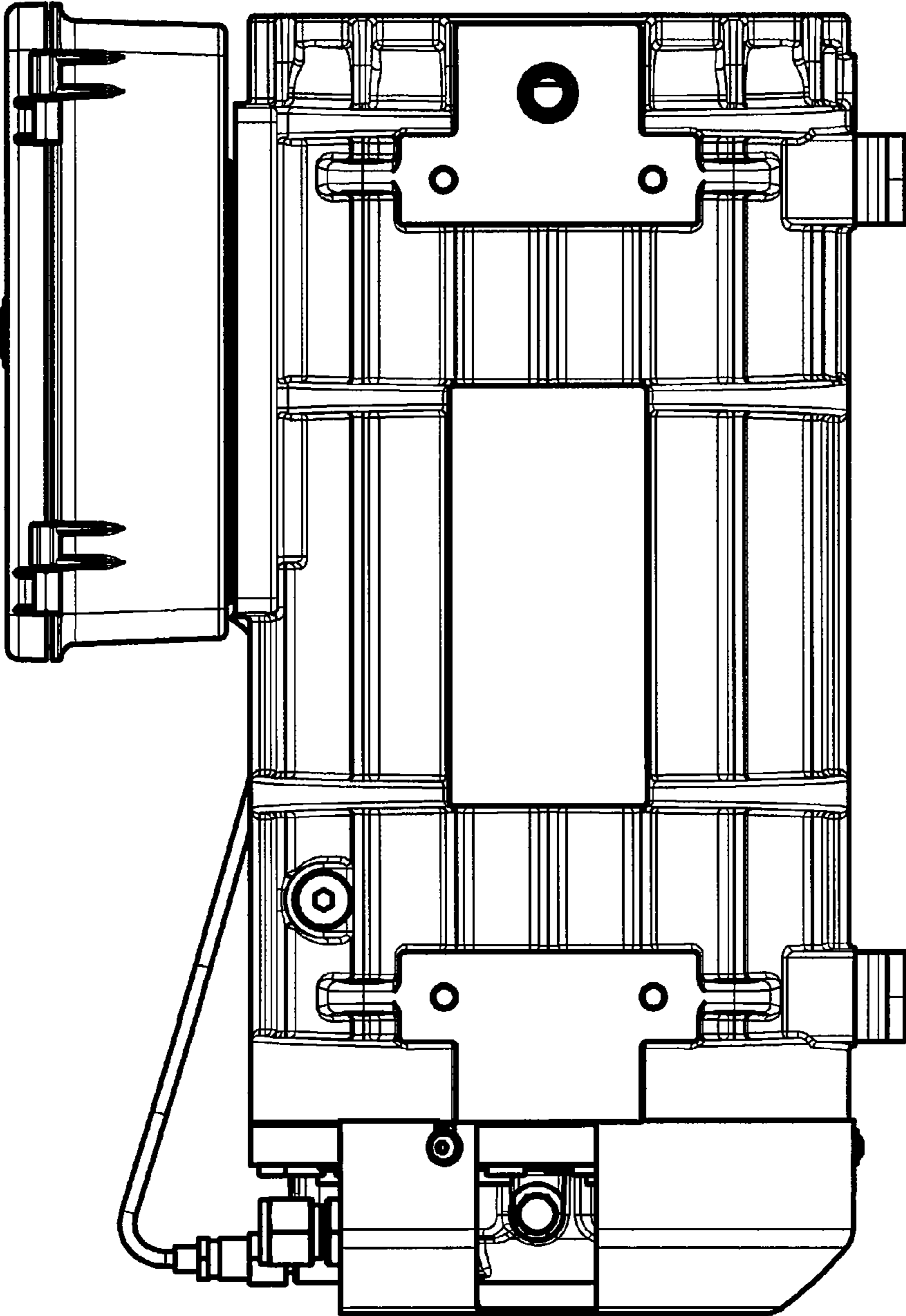


FIG. 4

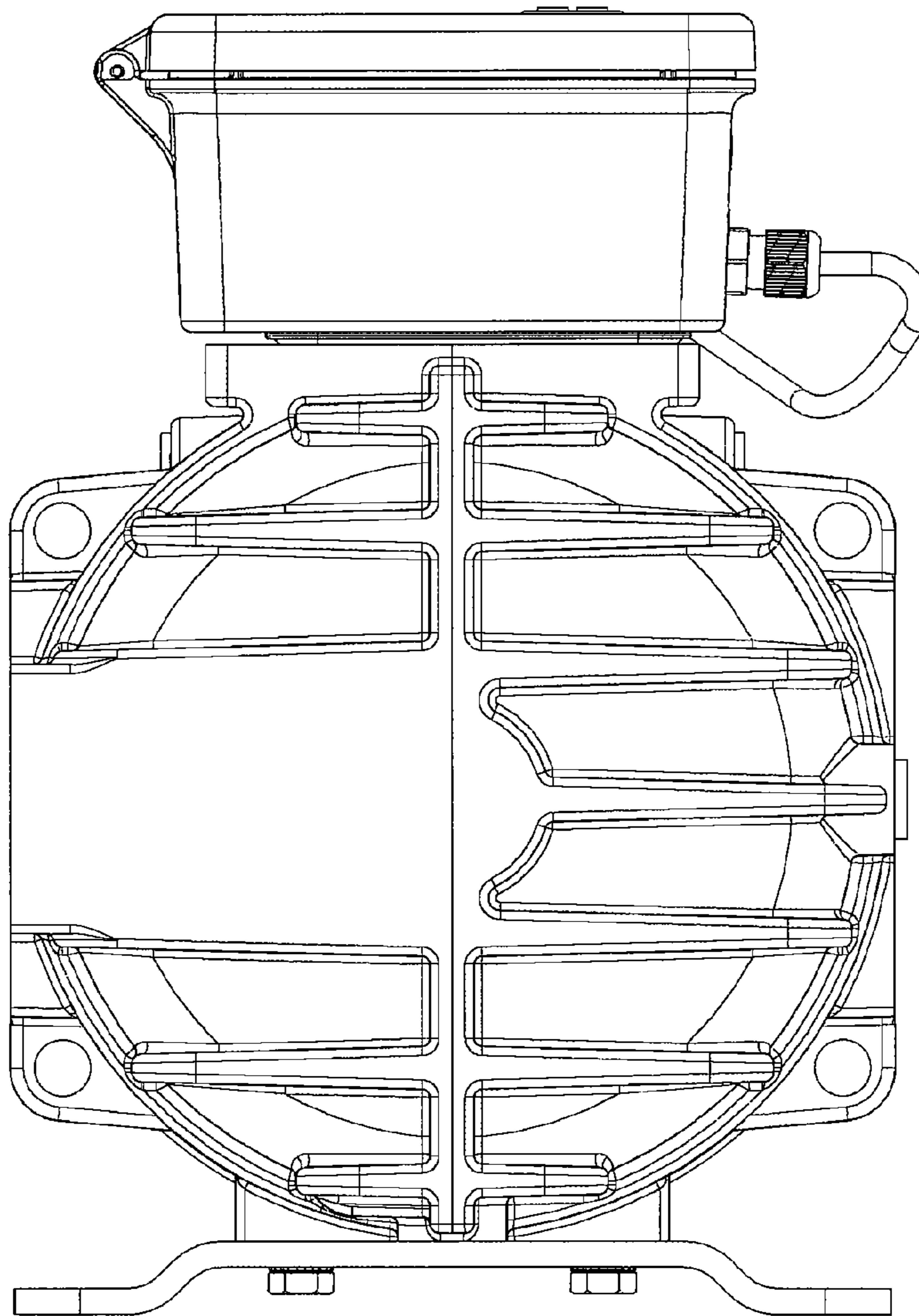


FIG. 5

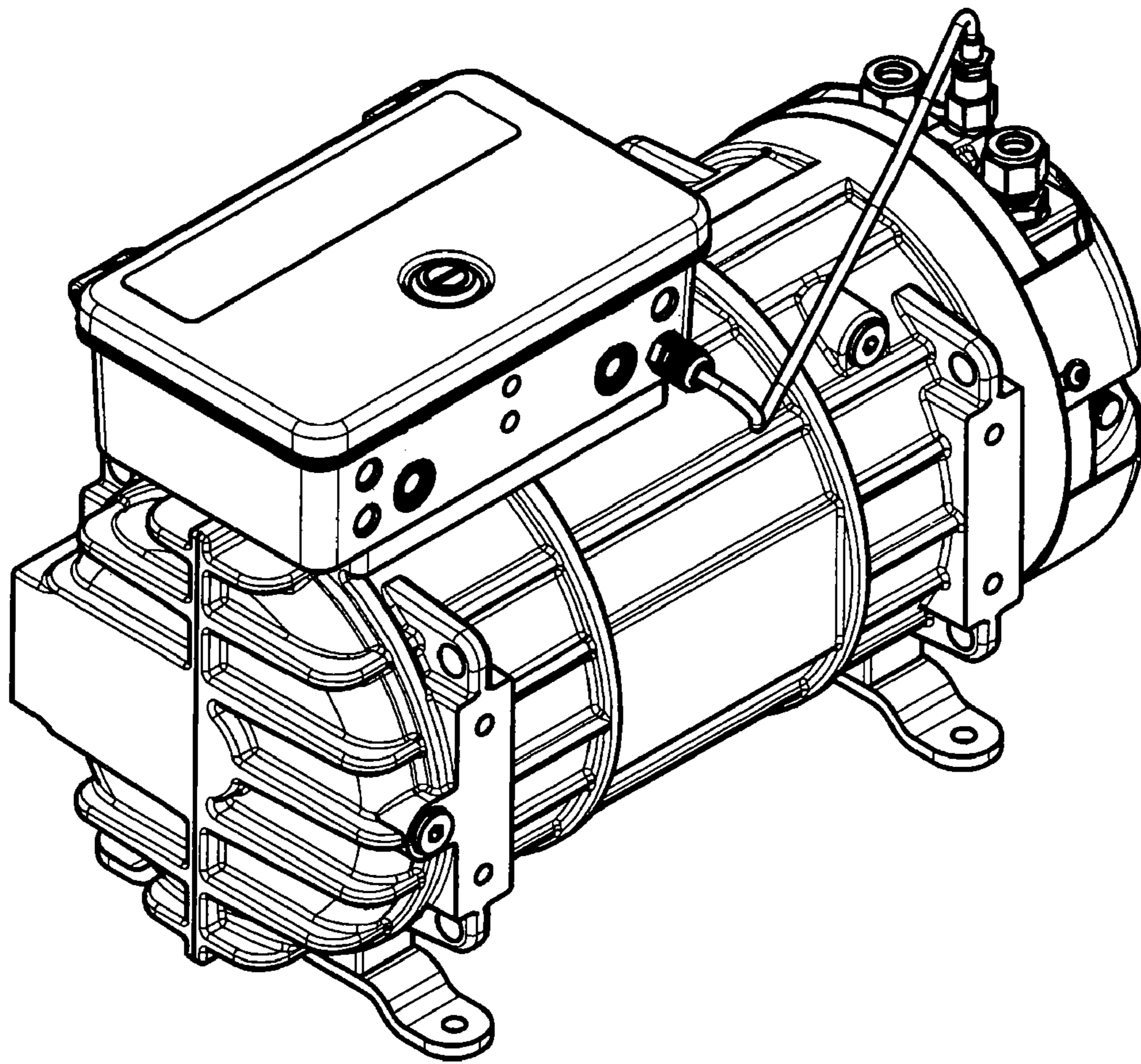


FIG. 6

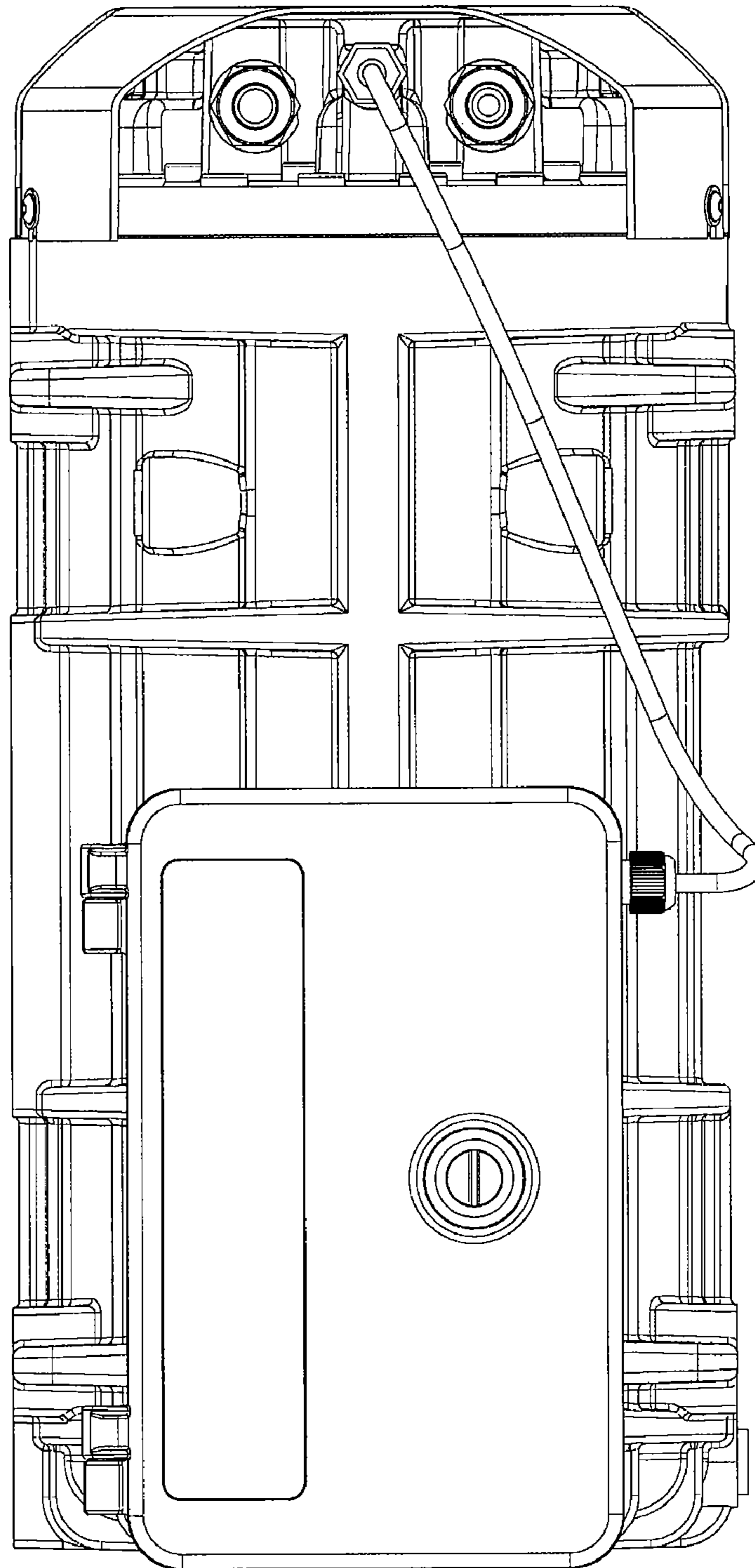


FIG. 7