



US00D573150S

(12) **United States Design Patent**
Sween

(10) **Patent No.:** **US D573,150 S**

(45) **Date of Patent:** **** Jul. 15, 2008**

(54) **LAPTOP STAND**

(75) Inventor: **Barry Sween**, Santa Monica, CA (US)

(73) Assignee: **Belkin International, Inc.**, Compton, CA (US)

(**) Term: **14 Years**

(21) Appl. No.: **29/289,812**

(22) Filed: **Aug. 1, 2007**

(51) **LOC (8) Cl.** **14-03**

(52) **U.S. Cl.** **D14/447**

(58) **Field of Classification Search** D14/432,
D14/434, 439, 448, 457, 447, 451, 452; D6/396,
D6/419, 420, 473, 474, 512; D19/92, 95;
D23/370, 387; 248/917, 918, 919, 920, 921,
248/922, 923, 924, 371, 393, 398, 176.1,
248/176.2, 176.3, 188.6, 346.01, 346.03,
248/346.06, 346.3, 346.4, 346.5, 441.1, 454,
248/455, 456, 460; 312/223.3; 361/680,
361/681, 683, 687, 688, 693, 694, 695; D13/179
See application file for complete search history.

(56) **References Cited**

U.S. PATENT DOCUMENTS

4,522,521	A *	6/1985	Scott	400/691
D283,323	S *	4/1986	Cervero	D14/451
4,991,817	A *	2/1991	VonKleist et al.	248/676
D328,985	S *	9/1992	Sheldon	D6/406.4
5,358,208	A *	10/1994	Moseley et al.	248/441.1
5,393,030	A *	2/1995	Tarozzi	248/460
5,542,640	A *	8/1996	Tarozzi	248/460
7,261,270	B2 *	8/2007	Chen et al.	248/346.03

D555,655	S *	11/2007	Iu	D14/447
D559,850	S *	1/2008	Lye et al.	D14/447
2004/0256535	A1 *	12/2004	Desch	248/460
2007/0215779	A1 *	9/2007	Traun	248/460

* cited by examiner

Primary Examiner—Jennifer Rivard

Assistant Examiner—Angela J Lee

(74) *Attorney, Agent, or Firm*—Bryan Cave LLP

(57) **CLAIM**

The ornamental design for a laptop stand, as shown and described.

DESCRIPTION

FIG. 1 is a front, top, left isometric view of the laptop stand; FIG. 2 is a front, bottom, right isometric view of the laptop stand;

FIG. 3 is a top view of the laptop stand, and the bottom view of the laptop stand is a mirror image of the top view;

FIG. 4 is a left view of the laptop stand, and the right view of the laptop stand is a mirror image of the left view;

FIG. 5 is a front view of the laptop stand;

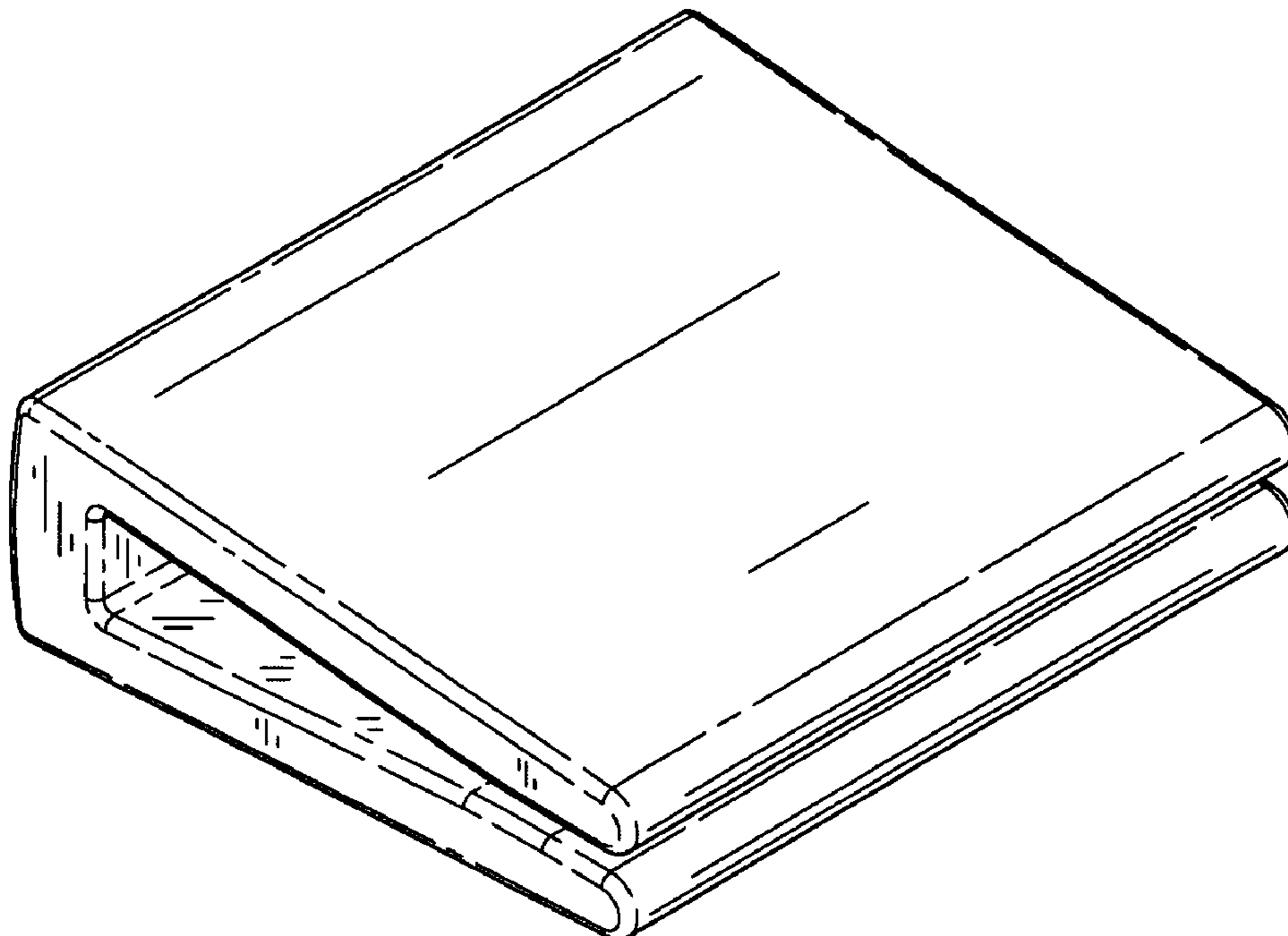
FIG. 6 is a back view of the laptop stand;

FIG. 7 is a front, top, left isometric view of the laptop stand supporting a laptop computer in a first configuration; and,

FIG. 8 is a front, bottom, left isometric view of the laptop stand supporting a laptop computer in a second configuration.

The broken line showing of a laptop in FIGS. 7–8 is included for the purpose of illustrating the laptop stand in use and forms no part of the claimed design.

1 Claim, 5 Drawing Sheets



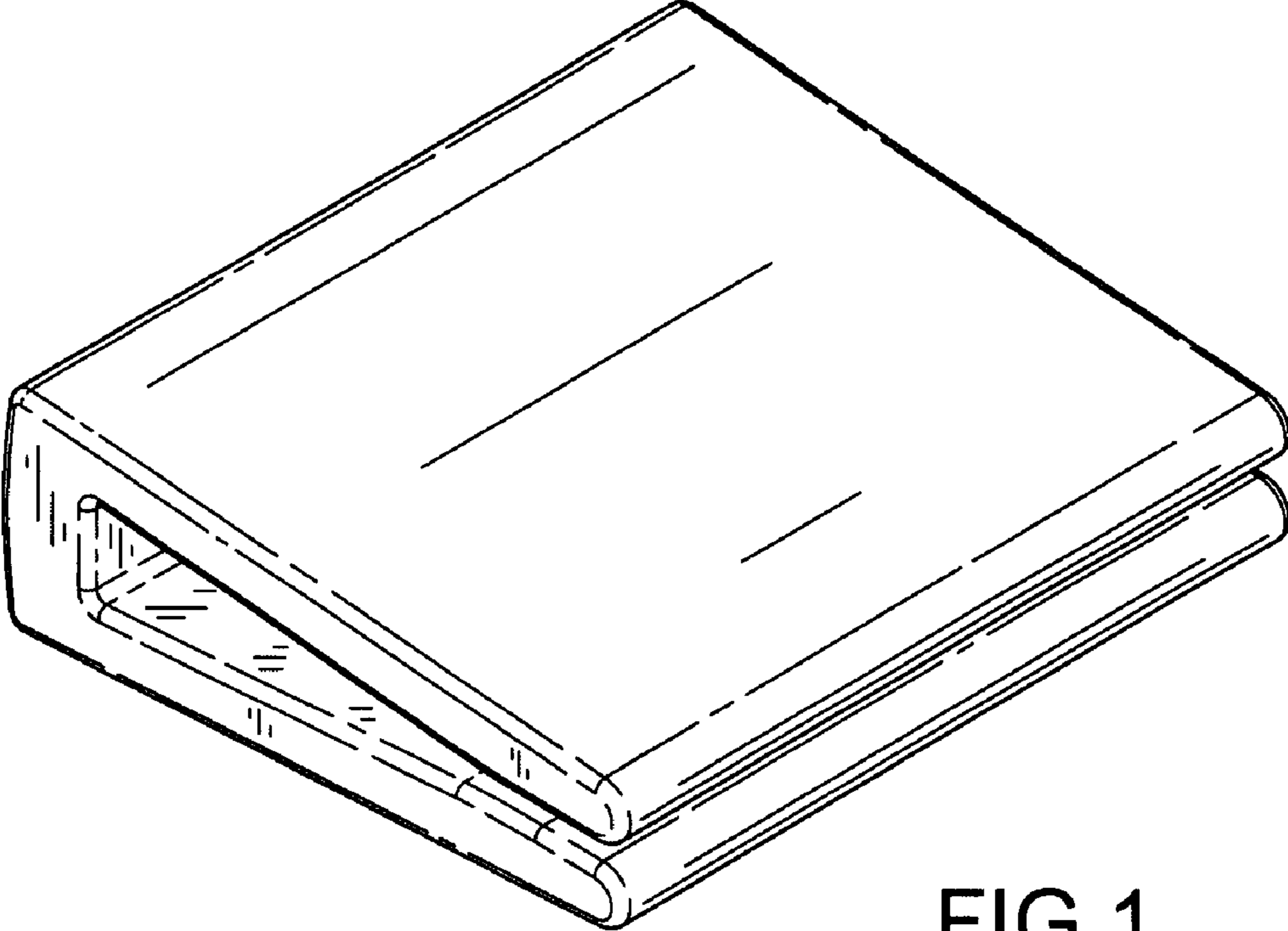


FIG. 1

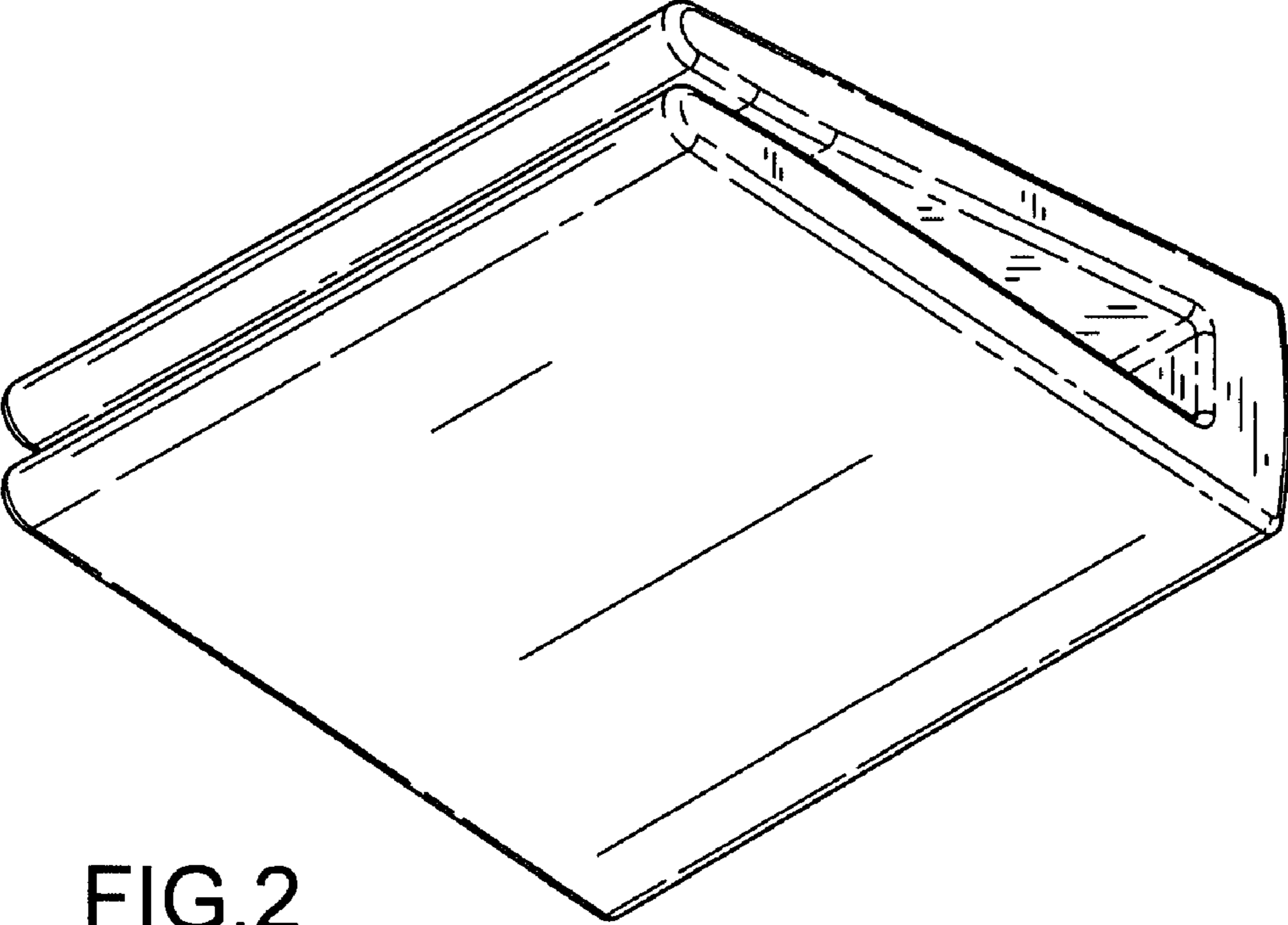


FIG. 2

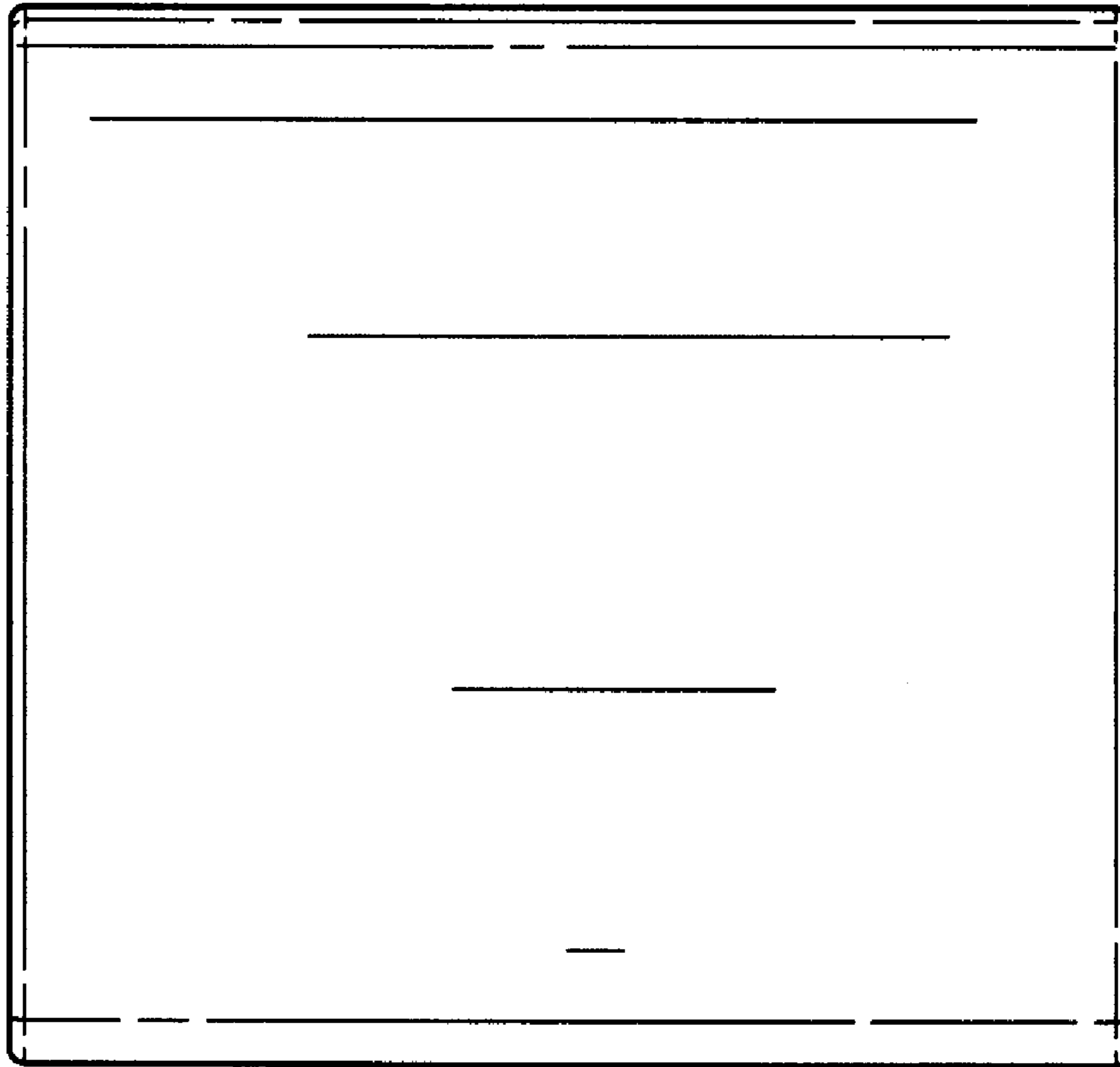


FIG. 3

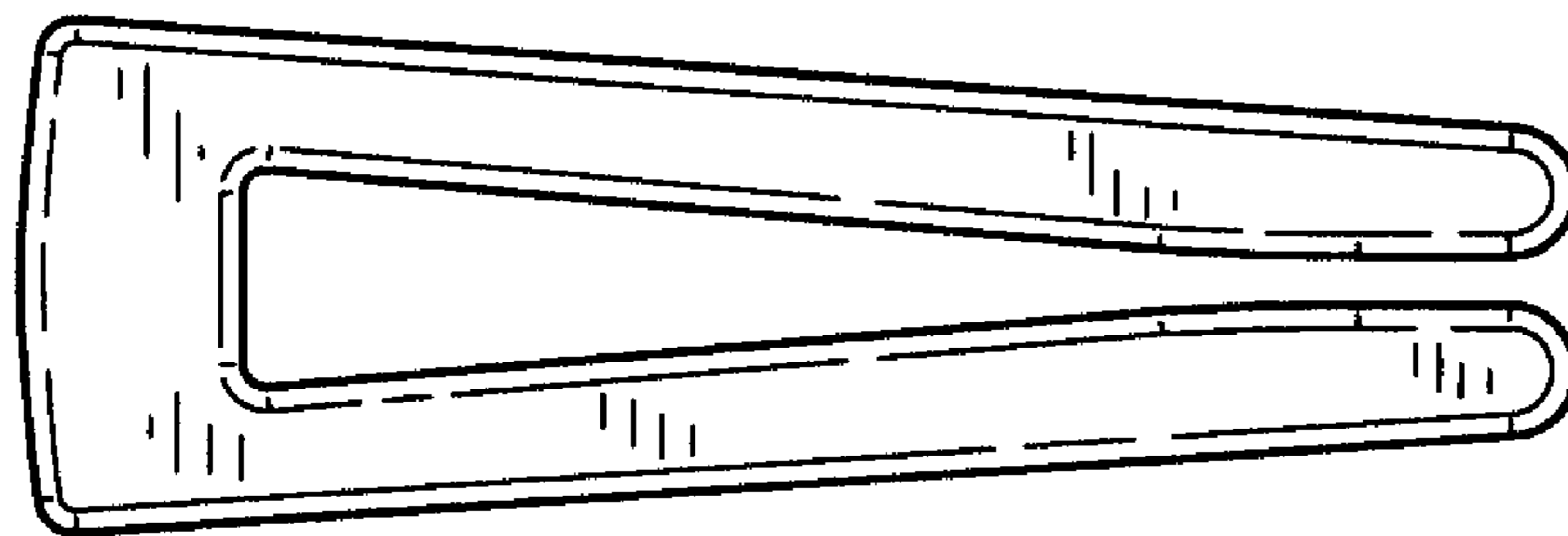


FIG. 4

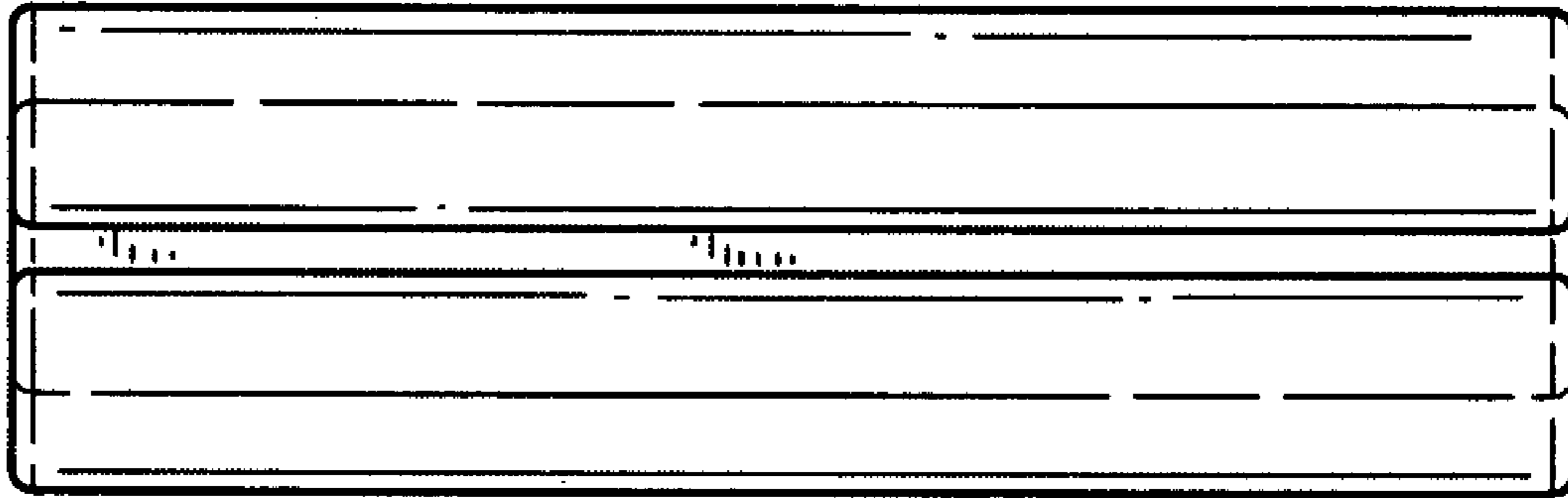


FIG. 5

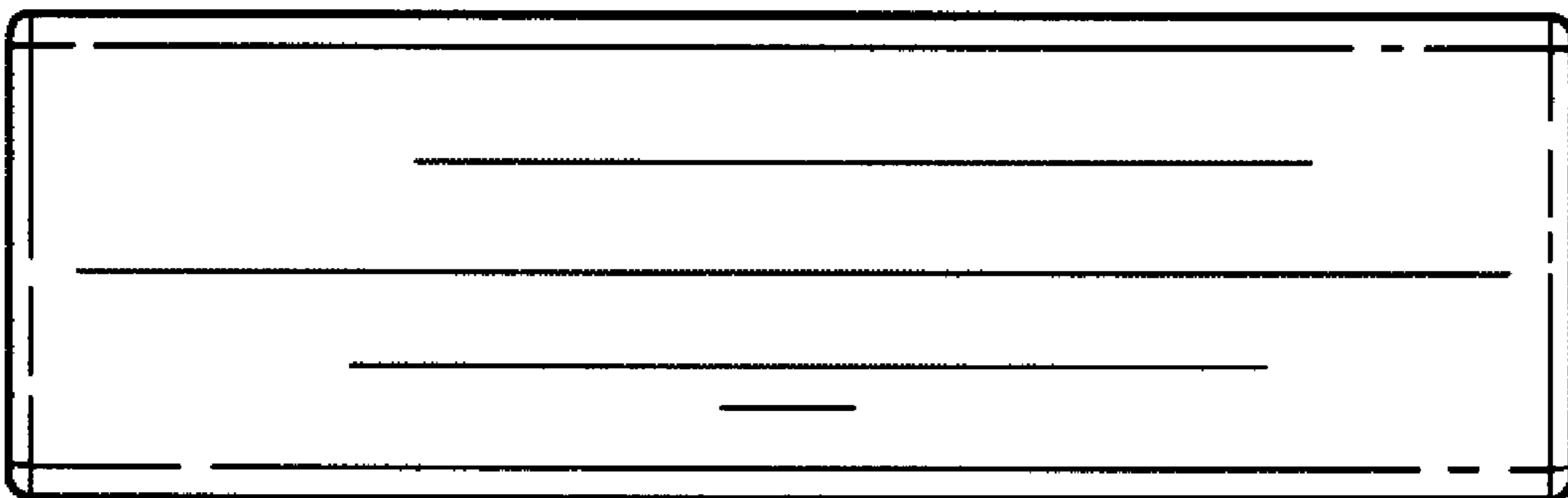


FIG. 6

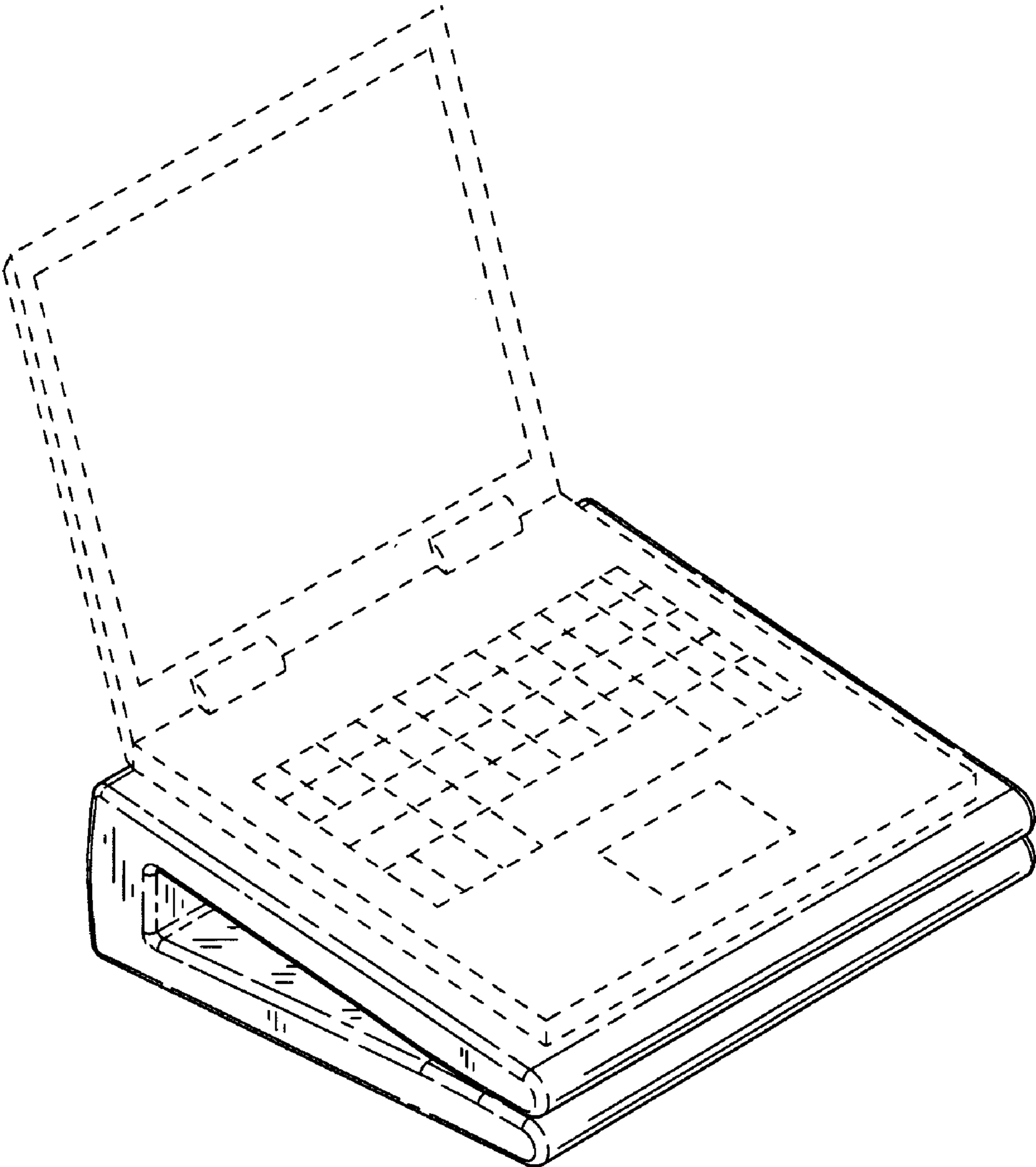


FIG.7

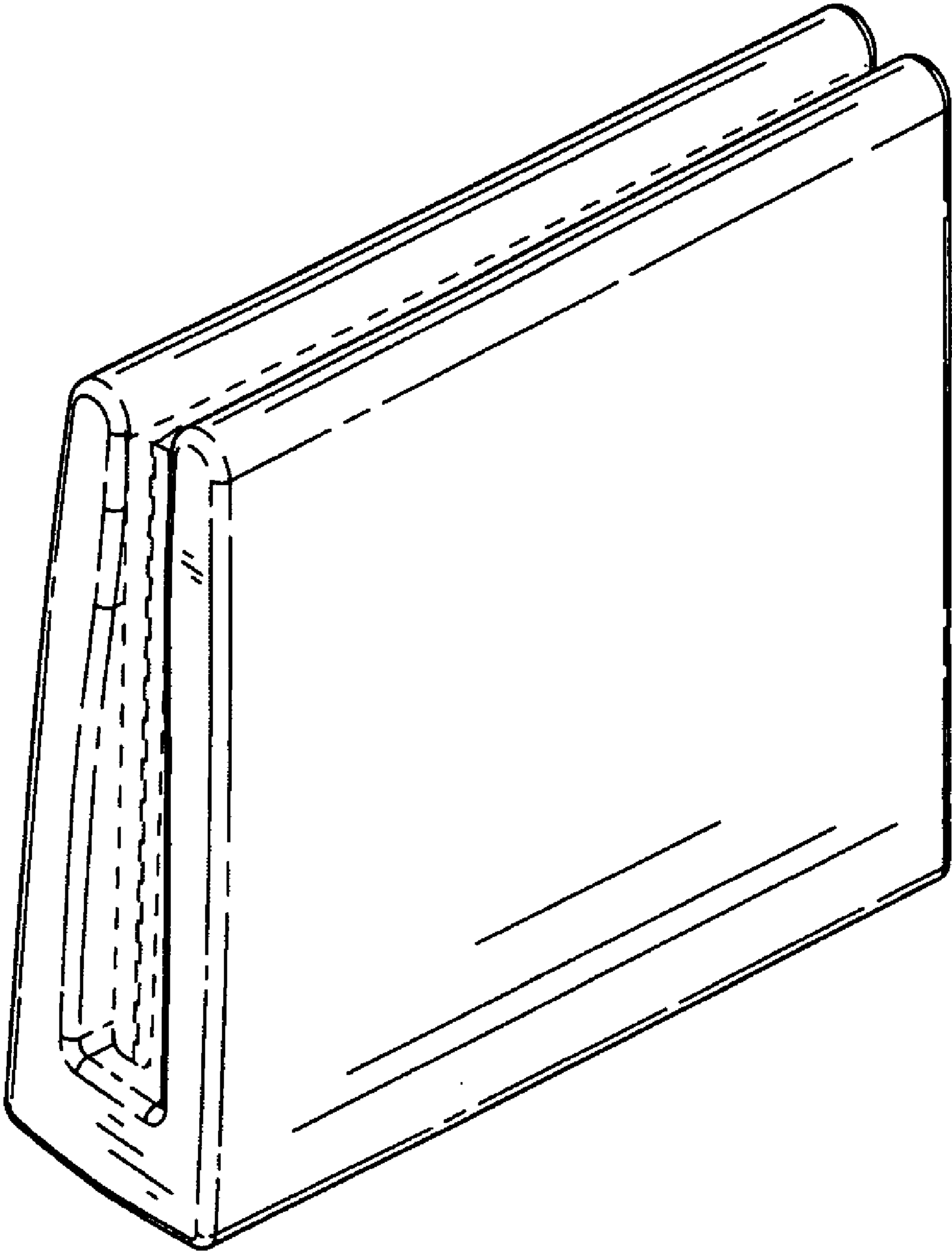


FIG.8