



US00D573146S

(12) **United States Design Patent**
Sukenari et al.

(10) **Patent No.:** **US D573,146 S**
(45) **Date of Patent:** **** Jul. 15, 2008**

(54) **IMAGE SCANNER**

(75) Inventors: **Kazuhiro Sukenari**, Nagoya (JP);
Kenichi Maruyama, Okazaki (JP);
Hiroshi Yamakose, Gifu (JP); **Tetsuro Kato**, Nagoya (JP)

(73) Assignee: **Elmo Company Limited** (JP)

(**) Term: **14 Years**

(21) Appl. No.: **29/284,826**

(22) Filed: **Sep. 17, 2007**

(30) **Foreign Application Priority Data**

Mar. 22, 2007 (JP) 2007-7293

(51) **LOC (8) Cl.** **14-02**

(52) **U.S. Cl.** **D14/431**

(58) **Field of Classification Search** D14/420-425;
D16/232; 353/115, 119, 122, DIG. 3, DIG. 4;
396/155; 358/474-498, 376

See application file for complete search history.

(56) **References Cited**

U.S. PATENT DOCUMENTS

D264,581	S *	5/1982	Mobius	D13/101
D302,683	S *	8/1989	Iwasaki et al.	D14/423
D305,228	S *	12/1989	Allgeier	D14/423
4,939,580	A *	7/1990	Ishikawa et al.	348/373
D325,027	S *	3/1992	Wallace et al.	D14/423
D327,672	S *	7/1992	Iimura	D14/423
5,396,281	A *	3/1995	Maeda	348/141
D386,157	S *	11/1997	Hasegawa	D14/423
D399,192	S *	10/1998	Hasegawa	D14/423
D411,520	S *	6/1999	Iwakawa et al.	D14/423
D411,833	S *	7/1999	Iwakawa et al.	D14/423
5,978,028	A *	11/1999	Yamane	348/373

D422,571	S *	4/2000	Sakata et al.	D14/423
D476,008	S	6/2003	Adachi et al.		
D476,658	S	7/2003	Adachi et al.		
D482,382	S *	11/2003	Kurokawa	D16/235
2005/0157167	A1 *	7/2005	Sukenari	348/61

* cited by examiner

Primary Examiner—Melanie Tung

Assistant Examiner—Susan Moon Lee

(74) *Attorney, Agent, or Firm*—Ostrolenk, Faber, Gerb & Soffen, LLP

(57) **CLAIM**

We claim the ornamental design for an image scanner, as shown and described.

DESCRIPTION

FIG. 1 is a perspective view of the image scanner embodying our new design;

FIG. 2 is a front view thereof;

FIG. 3 is a right side view thereof;

FIG. 4 is a left side view thereof;

FIG. 5 is a rear view thereof;

FIG. 6 is a top plan view thereof;

FIG. 7 is a bottom view thereof;

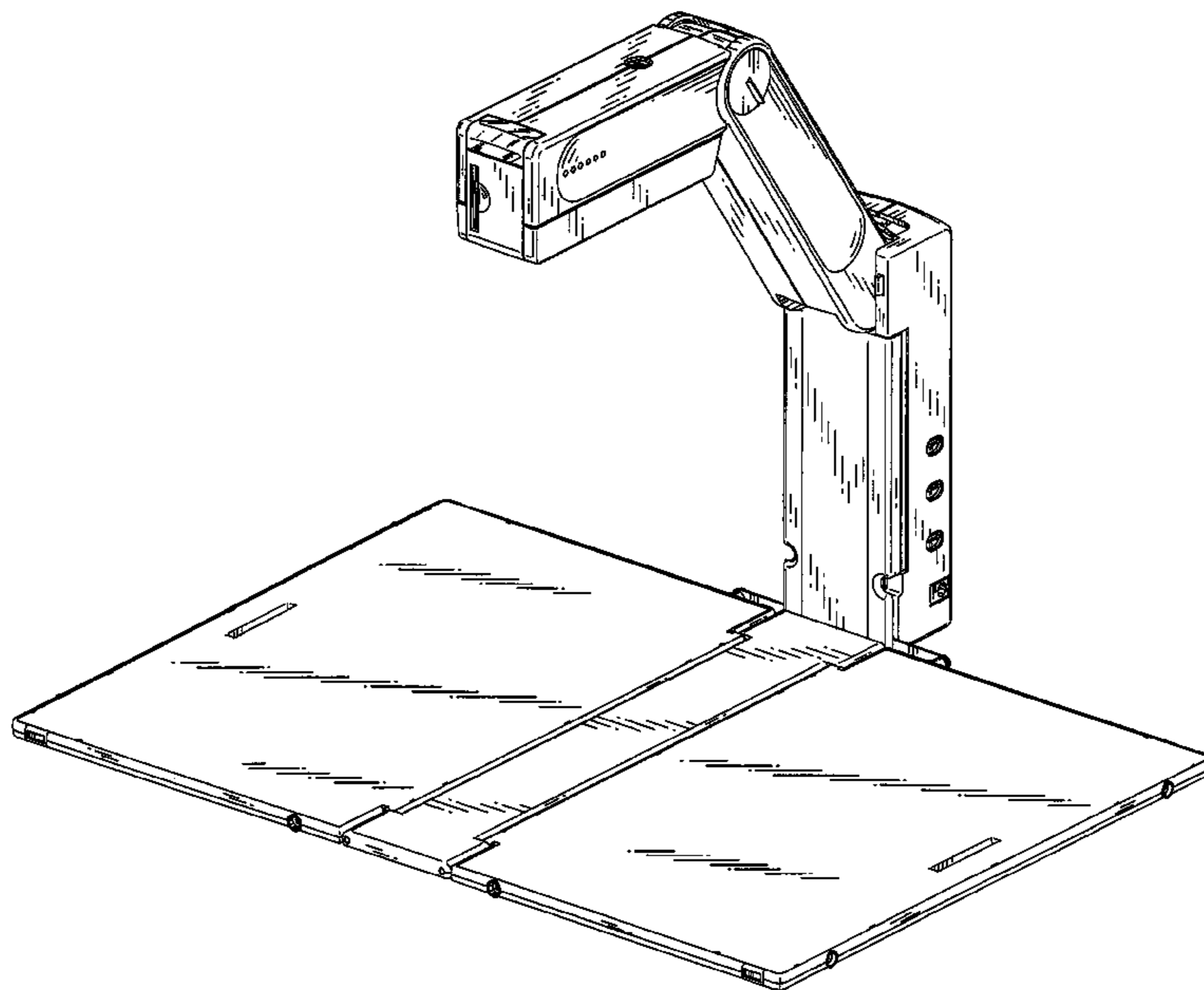
FIG. 8 is a reference perspective view of FIG. 1 with the camera arm folded;

FIG. 9 is a reference perspective view of FIG. 1 with the foldable table components folded;

FIG. 10 is a reference bottom perspective view of FIG. 1 showing the bottom of the camera head; and,

FIG. 11 is an enlarged reference view of FIG. 1 showing the front of the camera head as seen from the left.

1 Claim, 11 Drawing Sheets



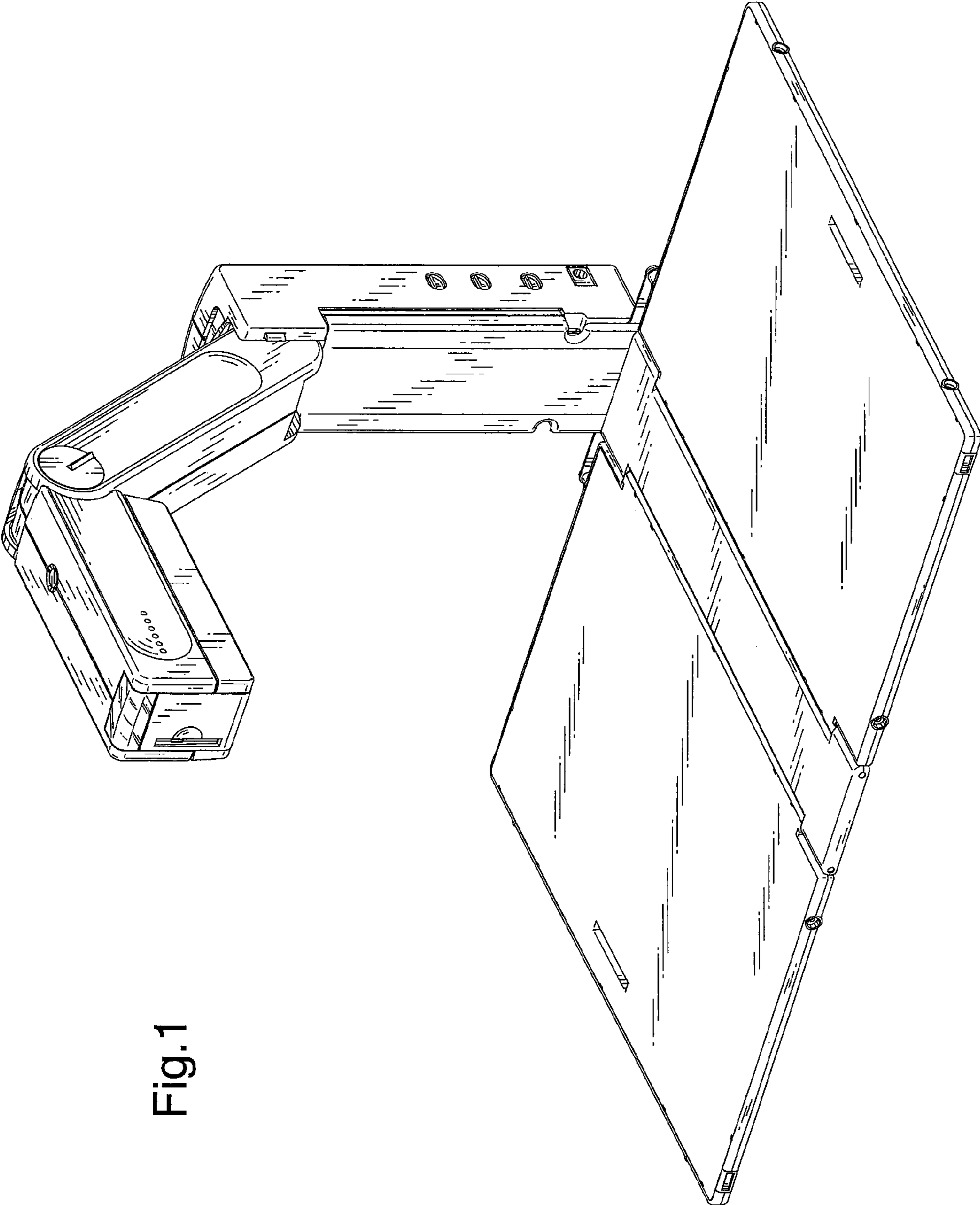


Fig.1

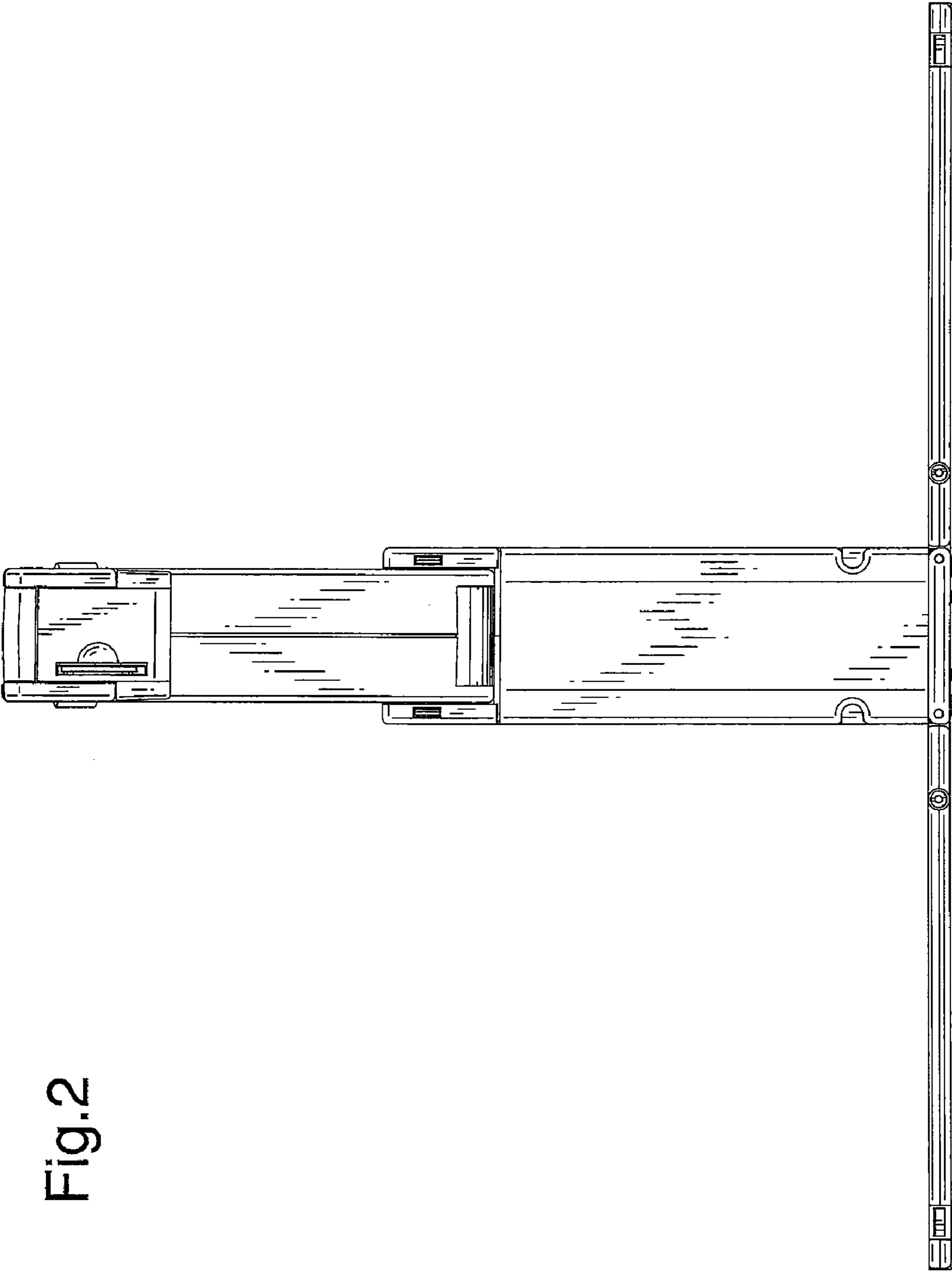


Fig. 2

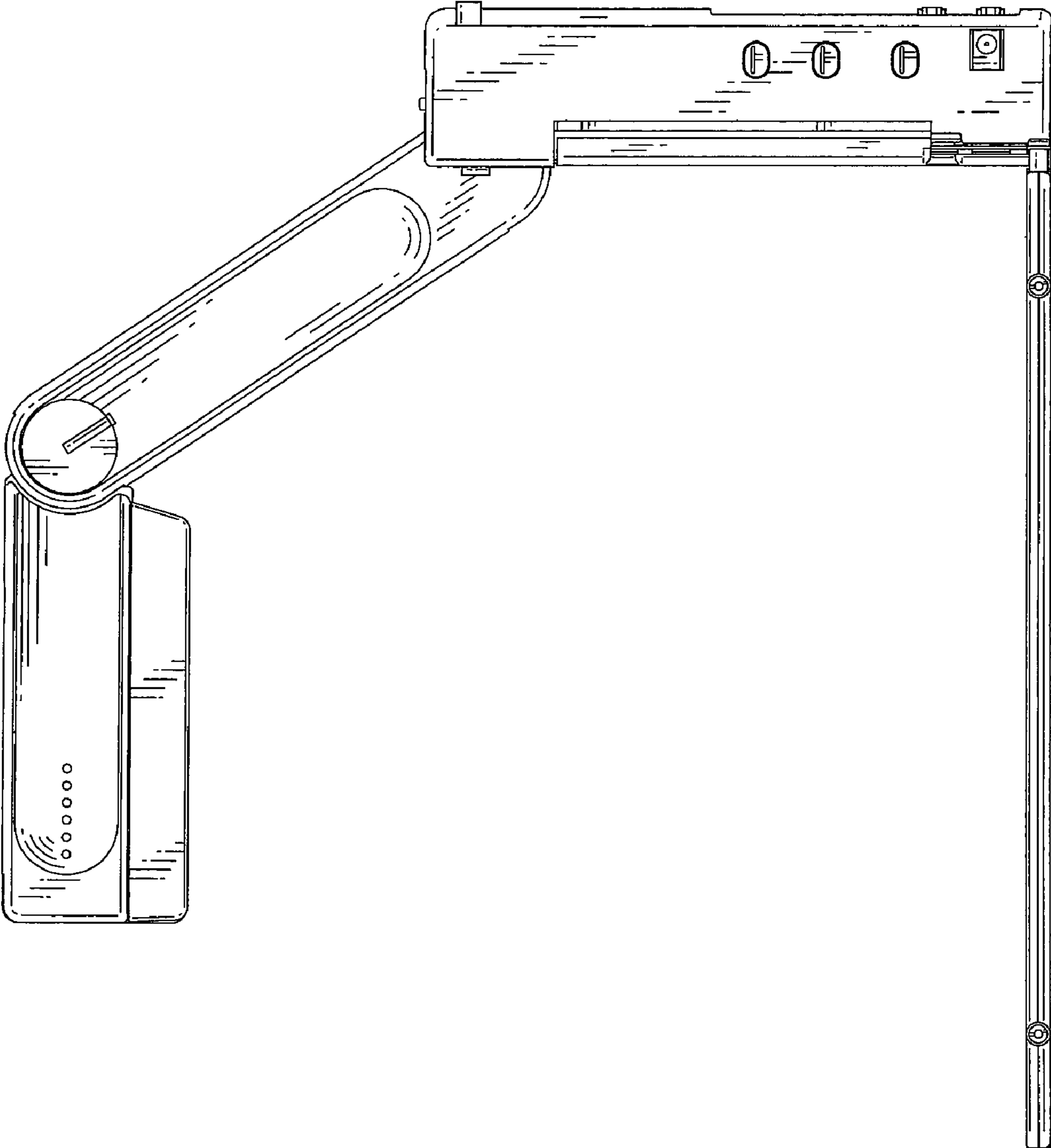


Fig. 3

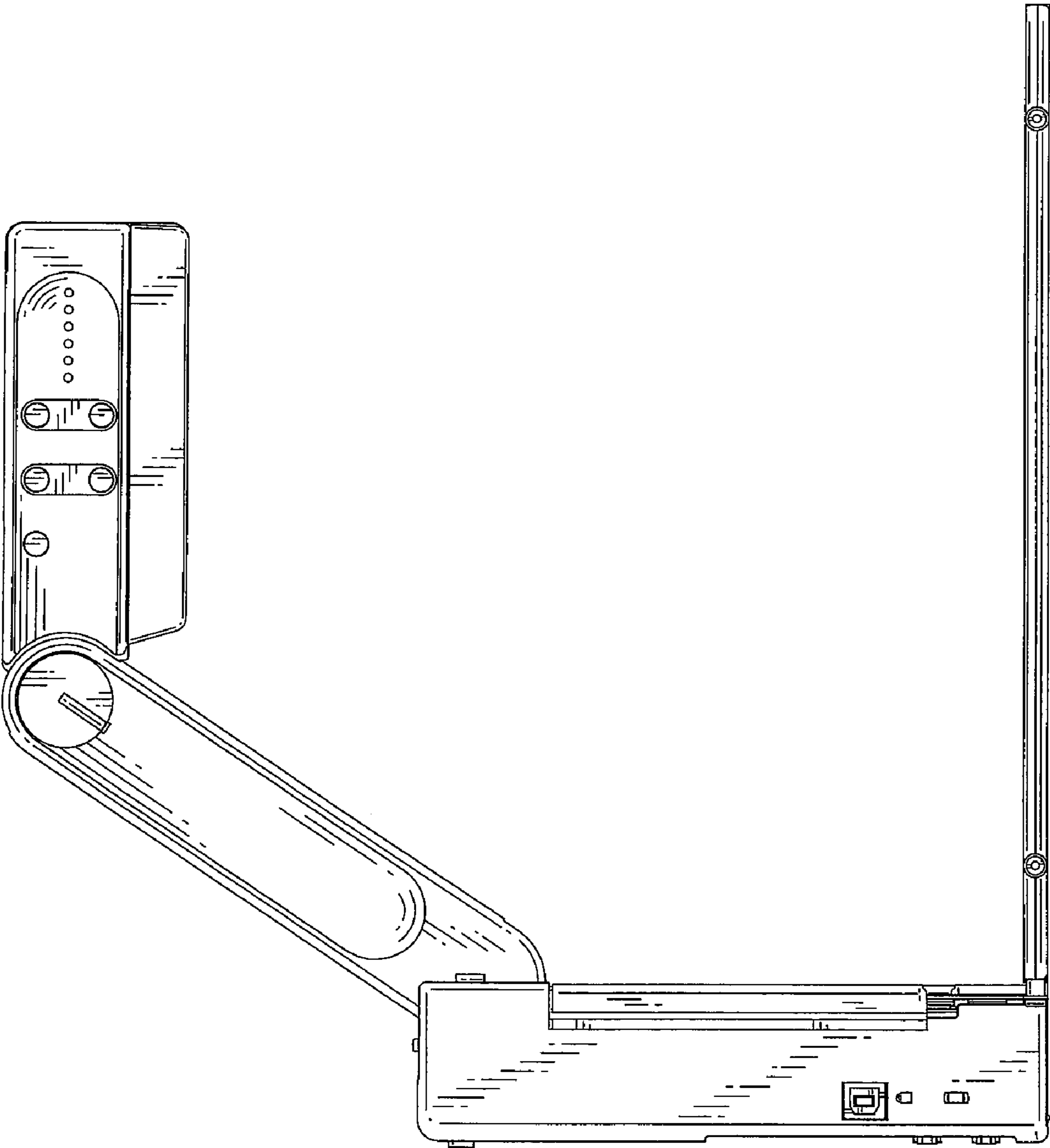


Fig. 4

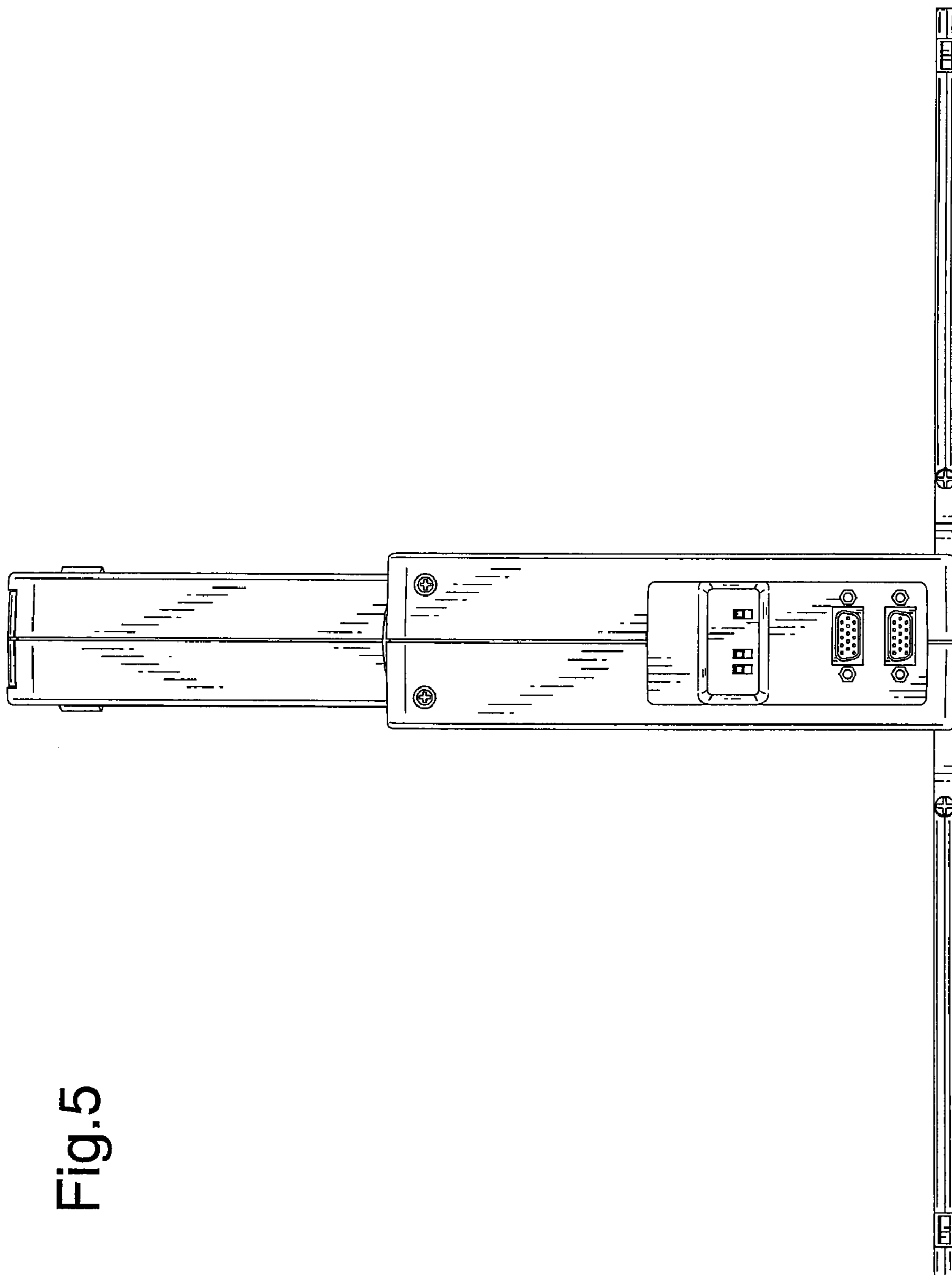


Fig.5

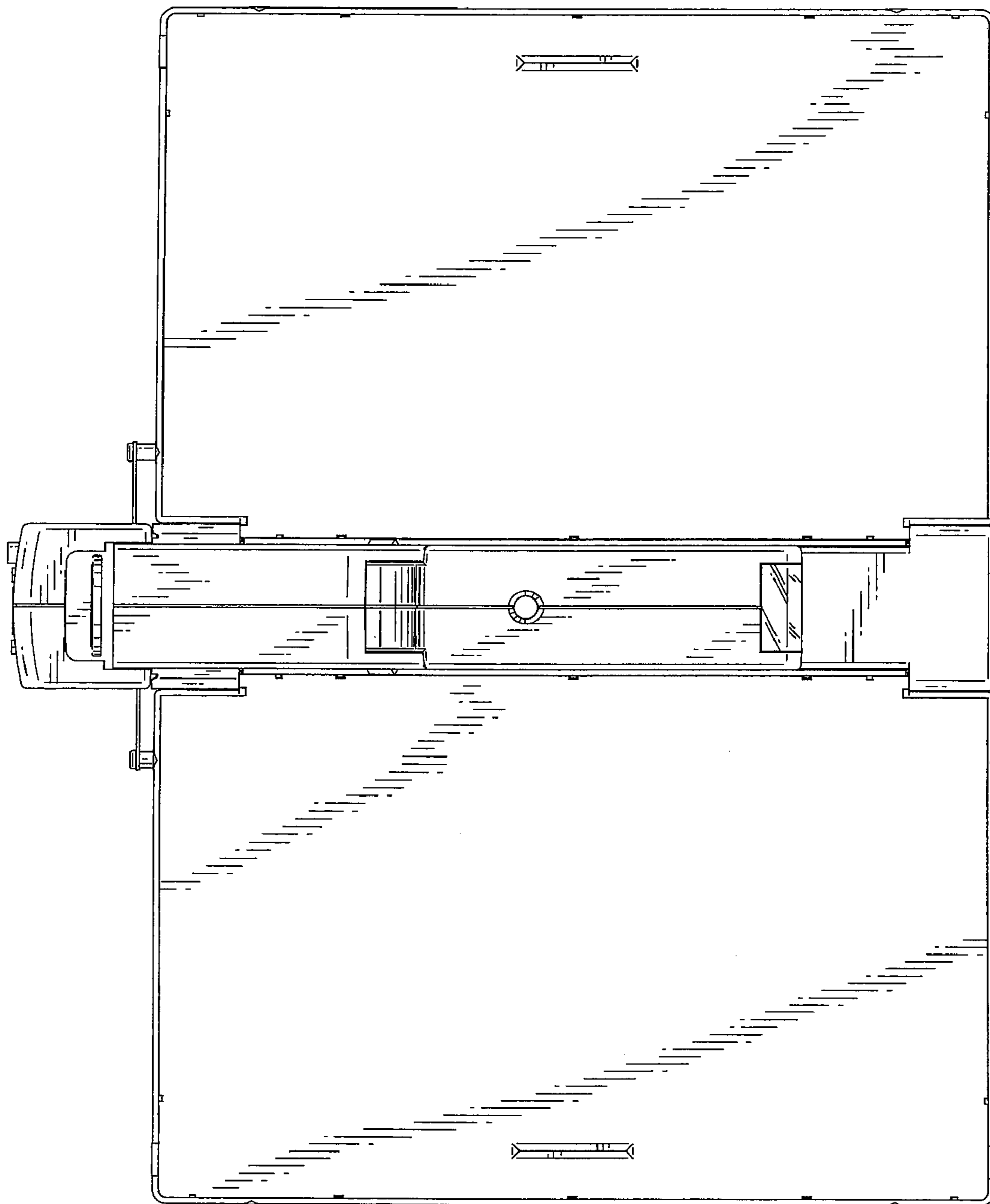


Fig.6

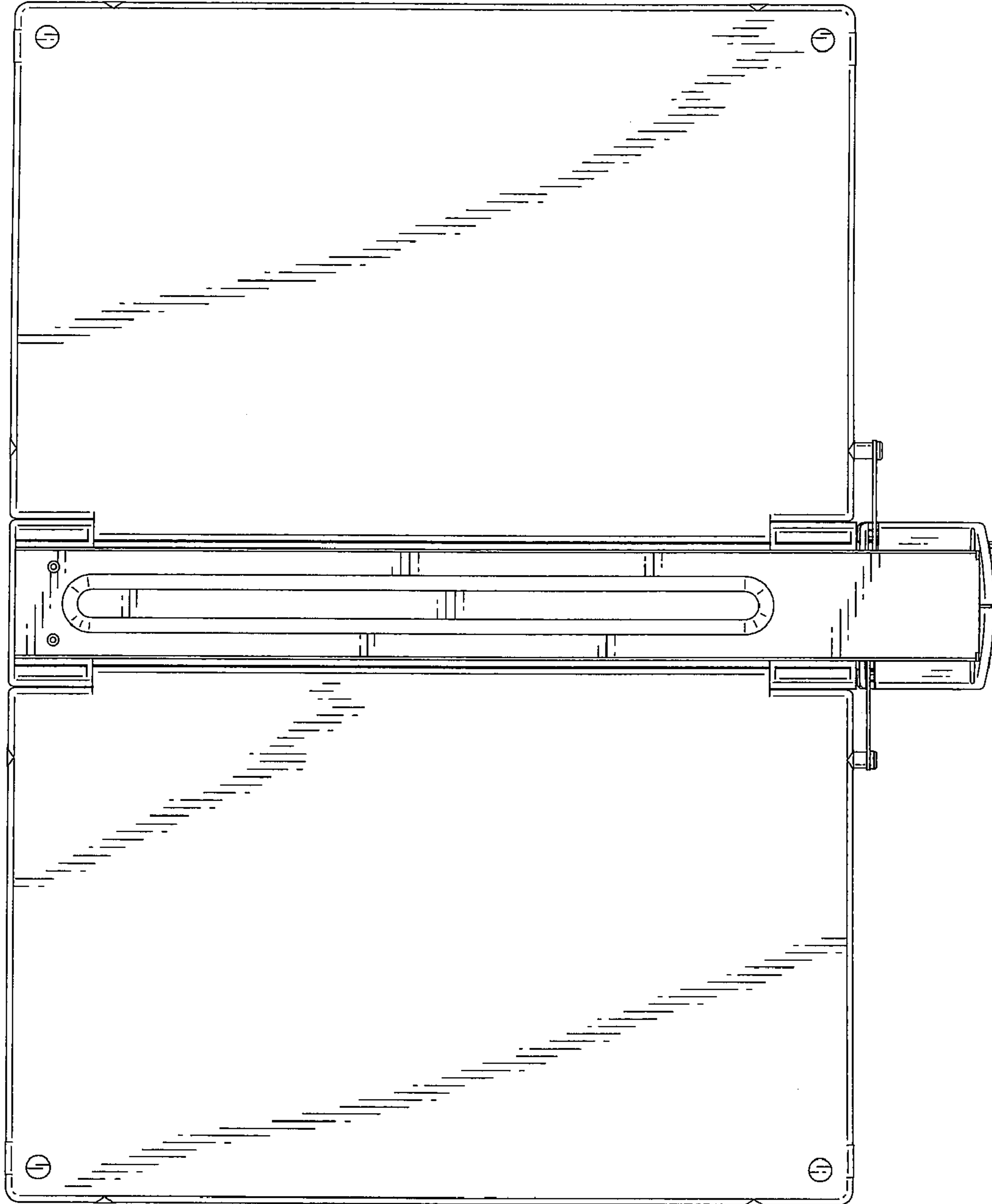


Fig. 7

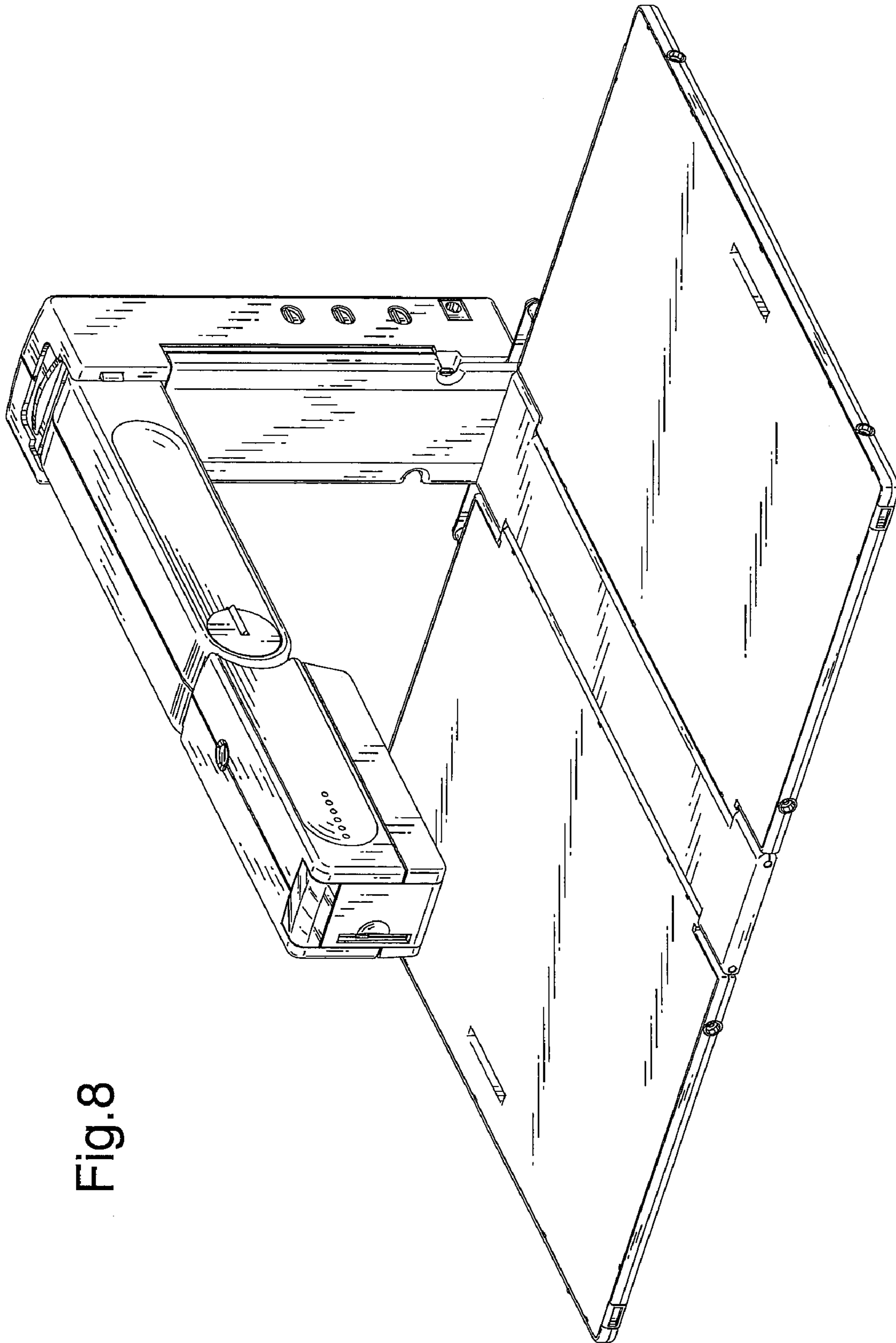
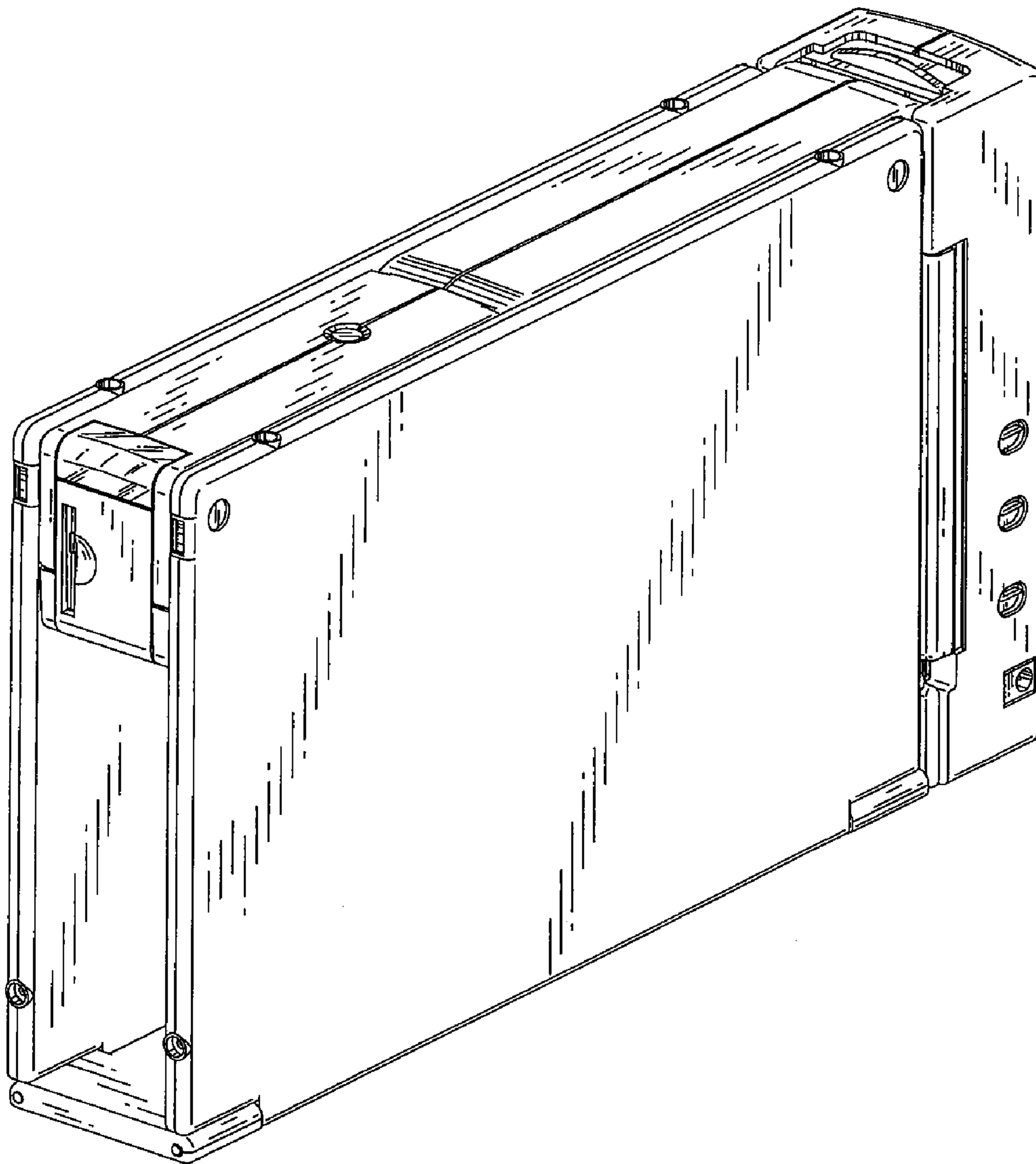


Fig.8

Fig.9



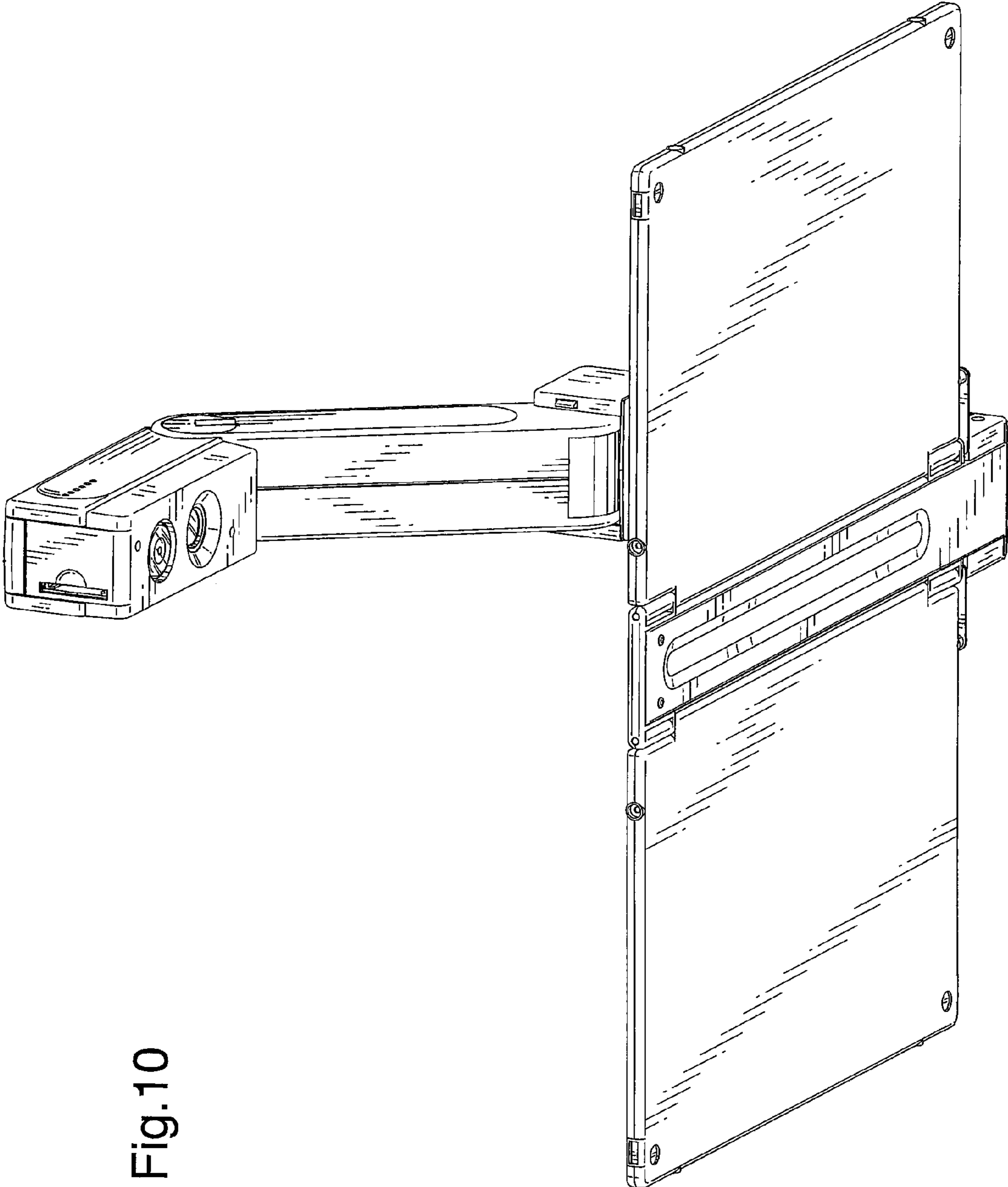


Fig. 10

Fig. 11

