



US00D573145S

(12) **United States Design Patent**
Laidlaw et al.

(10) **Patent No.:** **US D573,145 S**

(45) **Date of Patent:** **** Jul. 15, 2008**

(54) **SCANNER**

(75) Inventors: **Anthony G. Laidlaw**, Boise, ID (US);
Michael L. Codd, Ft. Collins, CO (US);
Holger Hampf, Ventura, CA (US);
Andre De Salis, Pasadena, CA (US);
Tim Chuang, Pasadena, CA (US); **John**
L. Guenther, Aptos, CA (US)

(73) Assignee: **Hewlett-Packard Development**
Company, L.P., Houston, TX (US)

(**) Term: **14 Years**

(21) Appl. No.: **29/289,335**

(22) Filed: **Jul. 17, 2007**

(51) **LOC (8) Cl.** **14-02**

(52) **U.S. Cl.** **D14/421**

(58) **Field of Classification Search** D14/421-425,
D14/462-464; D18/36-39, 55, 50, 54, 56,
D18/14, 18, 19; 355/81, 75, 78; 399/405,
399/367, 379, 380; 358/497; 235/470, 462.43,
235/482, 483; 400/613, 613.1-613.14, 691-694;
101/93.4, 269

See application file for complete search history.

(56) **References Cited**

U.S. PATENT DOCUMENTS

D380,204 S * 6/1997 Kogoh et al. D14/425

D428,049 S * 7/2000 Imai D18/36
D451,123 S * 11/2001 Isogai et al. D18/36
D483,402 S * 12/2003 LaBarbera et al. D18/53
D497,943 S * 11/2004 LaBarbera D18/53

* cited by examiner

Primary Examiner—Melanie Tung
Assistant Examiner—Susan Moon Lee

(57) **CLAIM**

The ornamental design for a scanner, as shown and described.

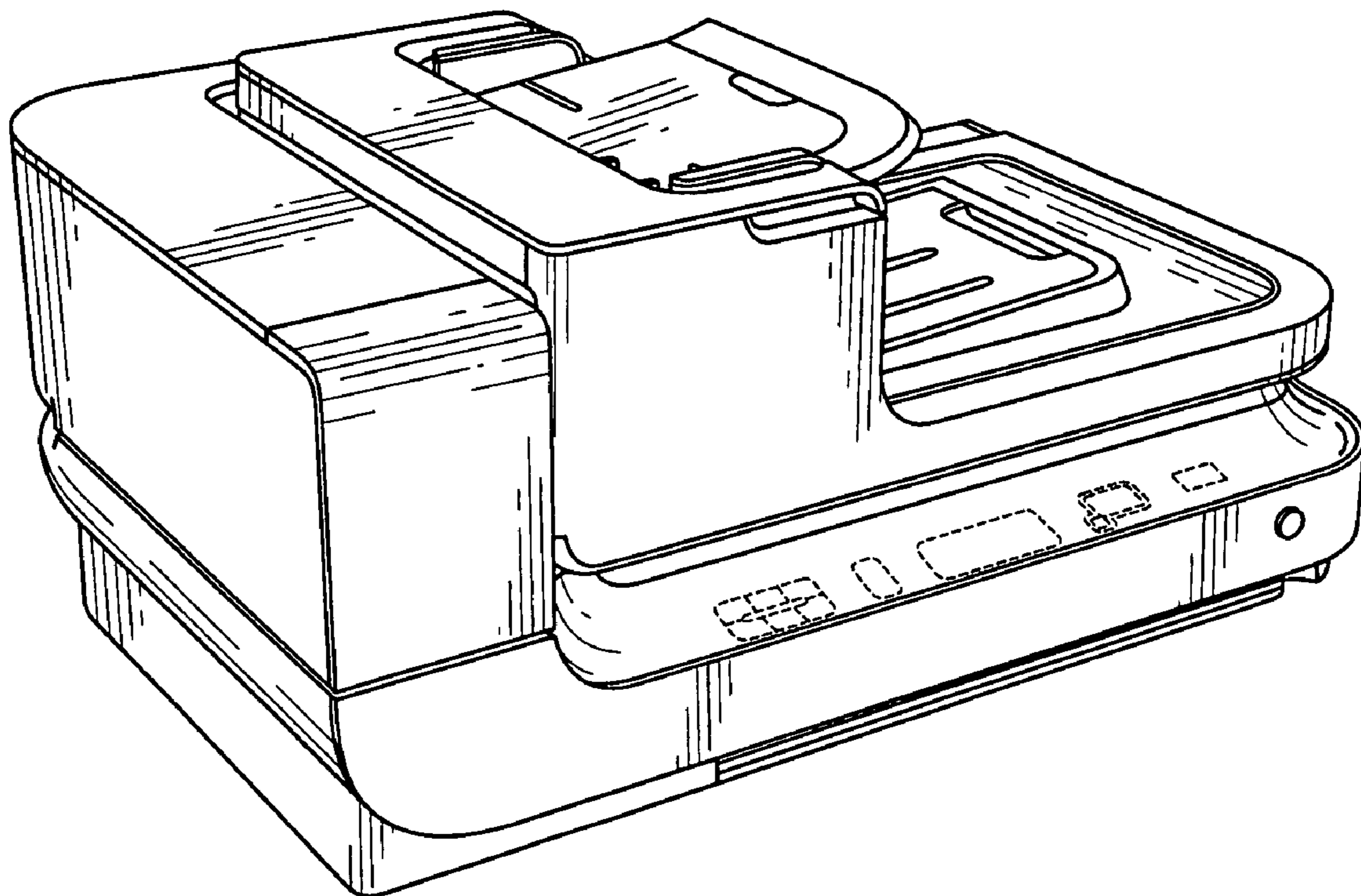
DESCRIPTION

FIG. 1 is a front perspective view of a scanner;
FIG. 2 is a front elevational view thereof;
FIG. 3 is a rear elevational view thereof;
FIG. 4 is a right elevational view thereof;
FIG. 5 is a left elevational view thereof; and,
FIG. 6 is a top plan view thereof.

The broken lines in the drawings are for illustrative purposes and form no part of the claimed design.

The bottom of the scanner, not shown, is flat and devoid of surface ornamentation, and forms no part of the claimed design.

1 Claim, 3 Drawing Sheets



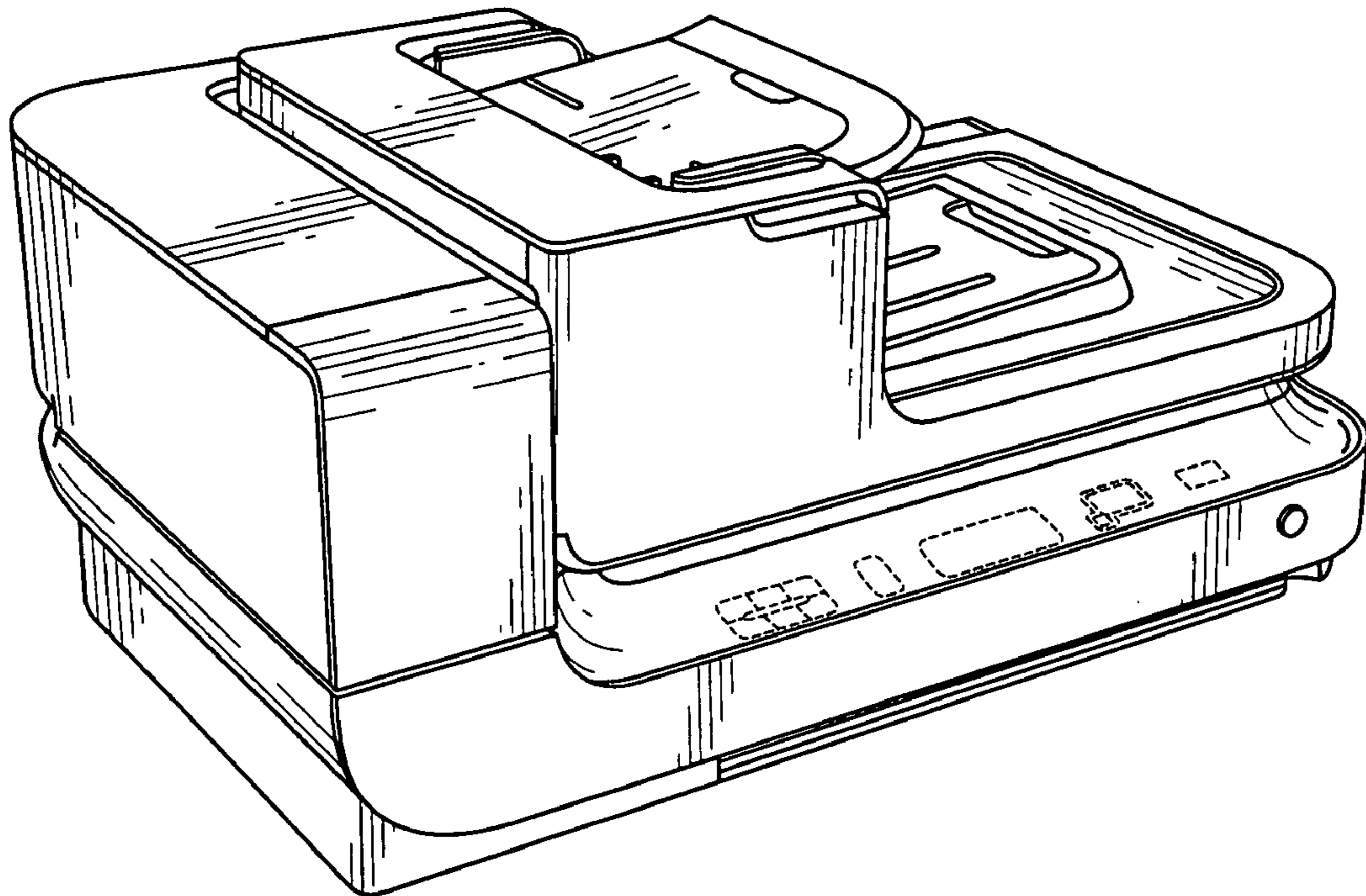


FIG. 1

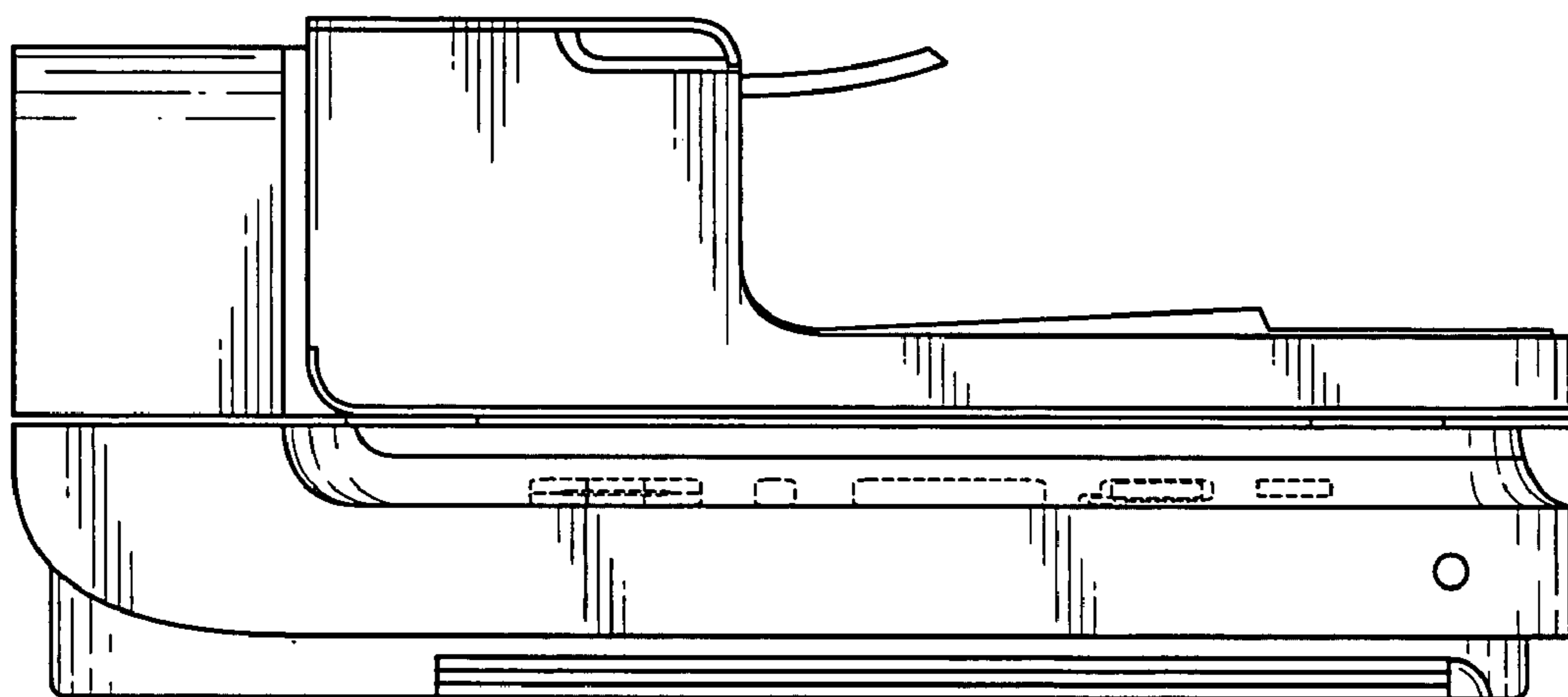


FIG. 2

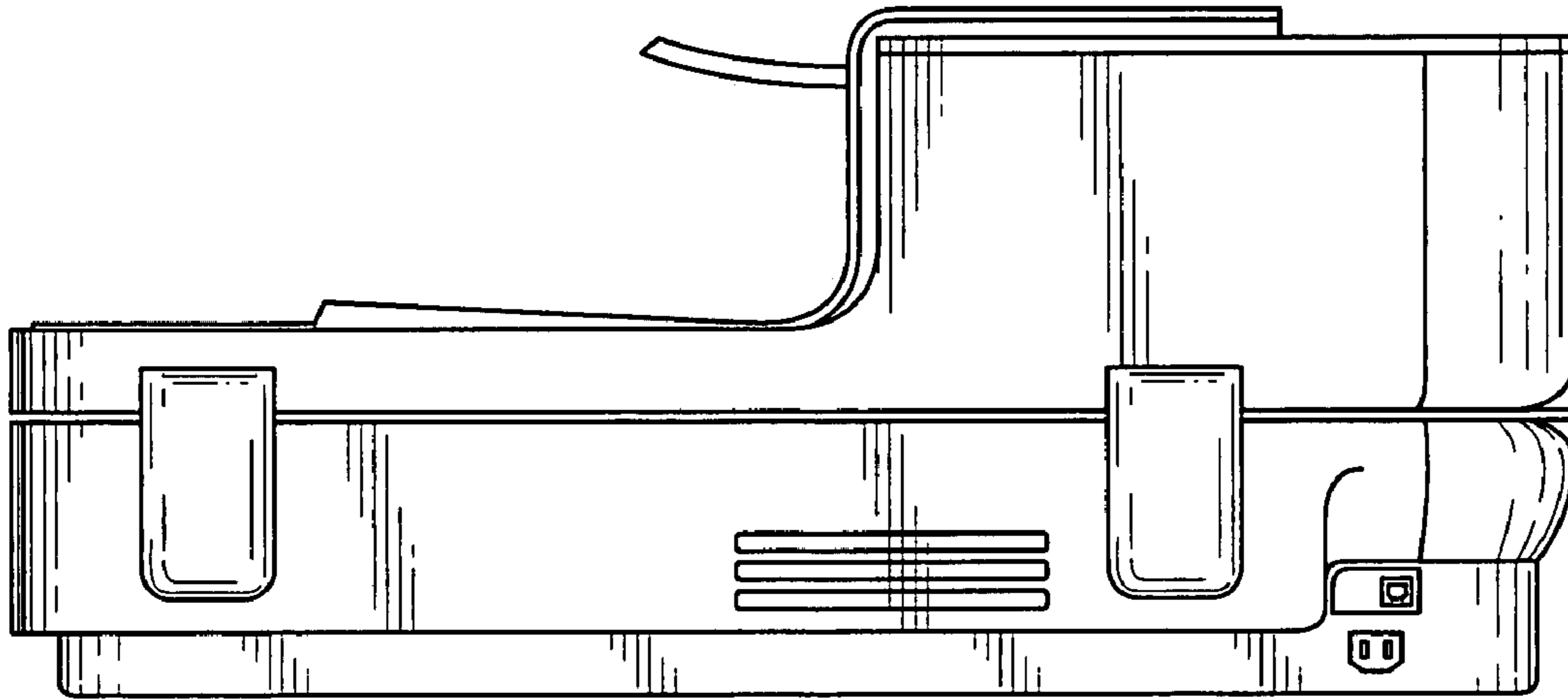


FIG. 3

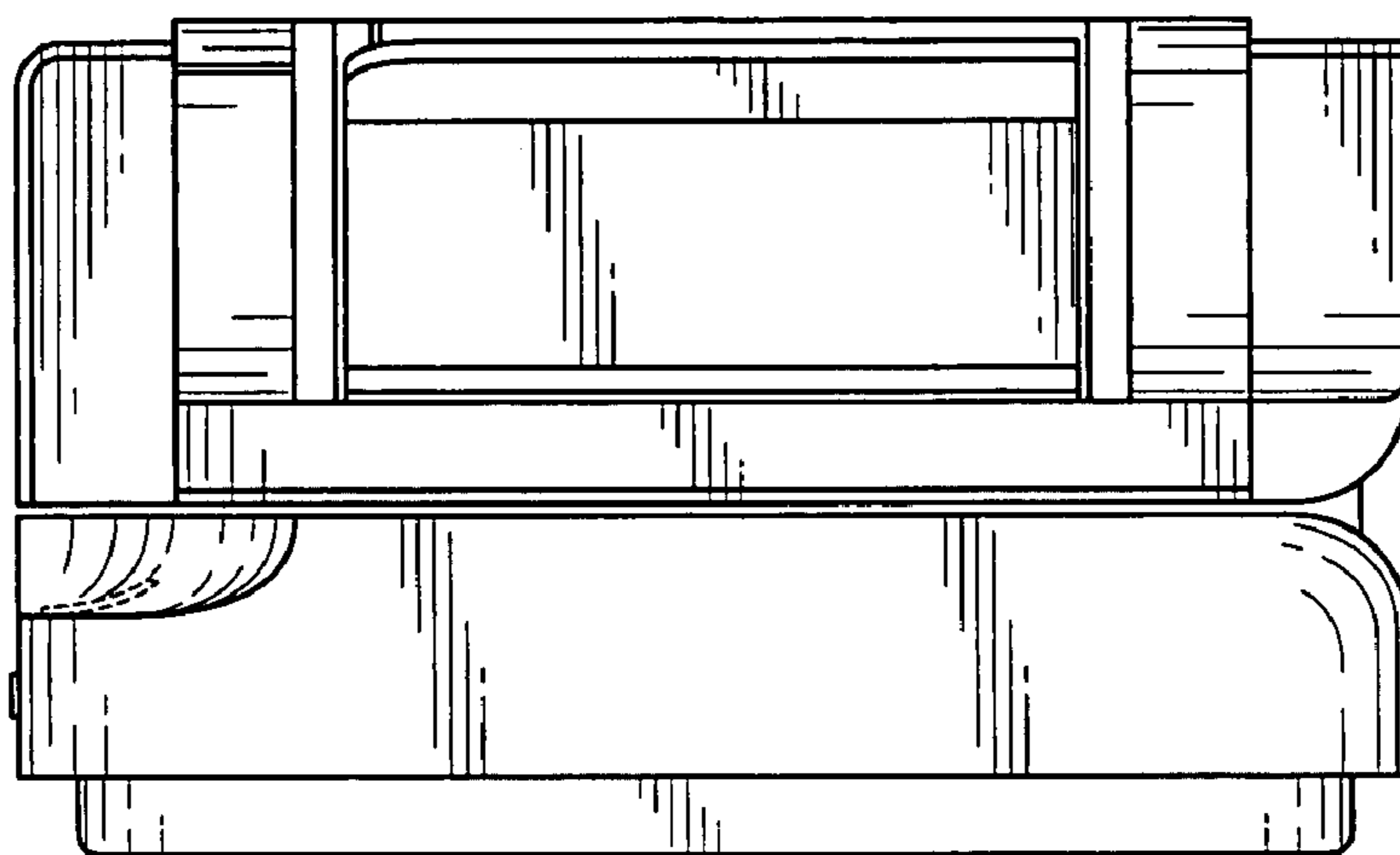


FIG. 4

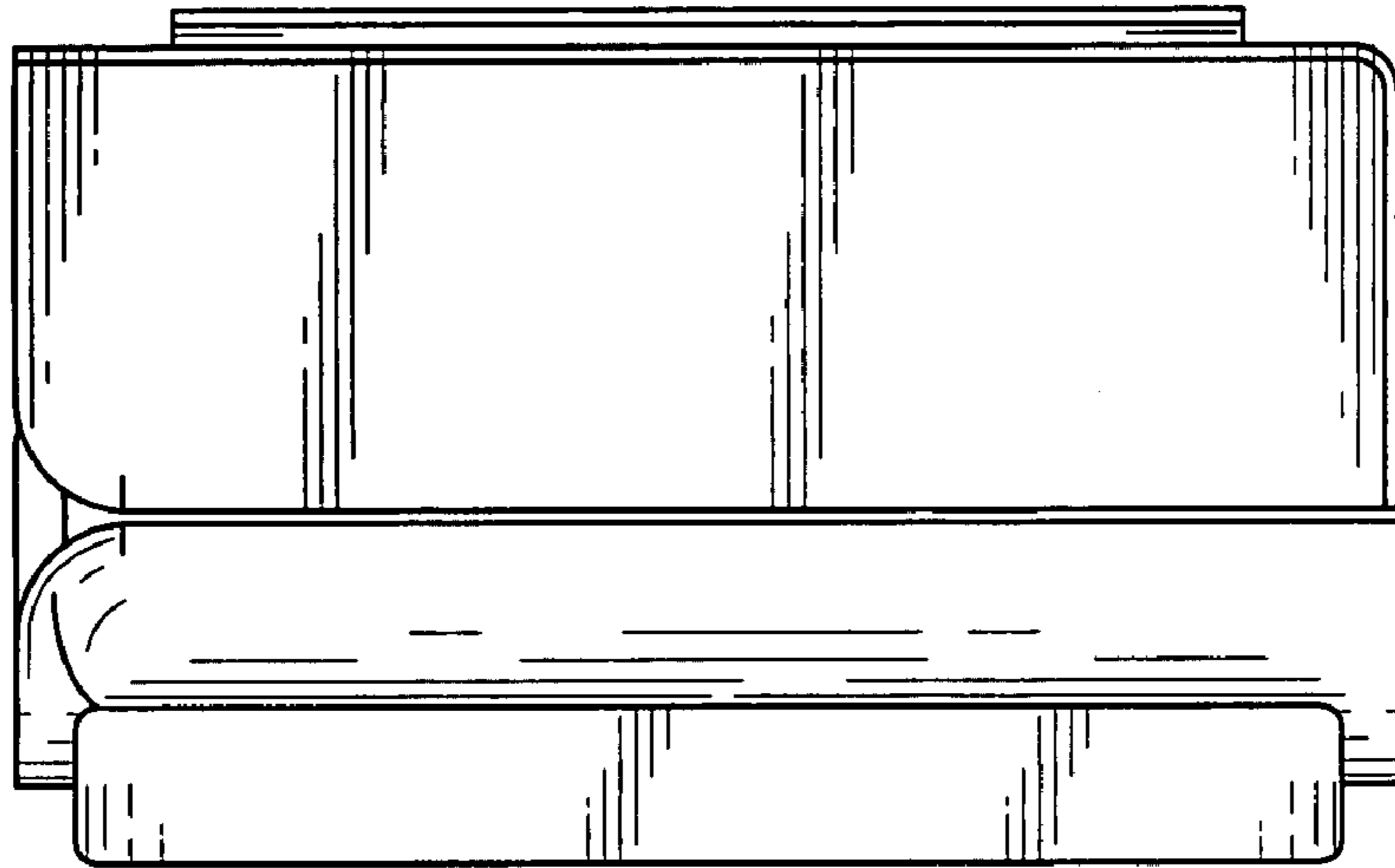


FIG. 5

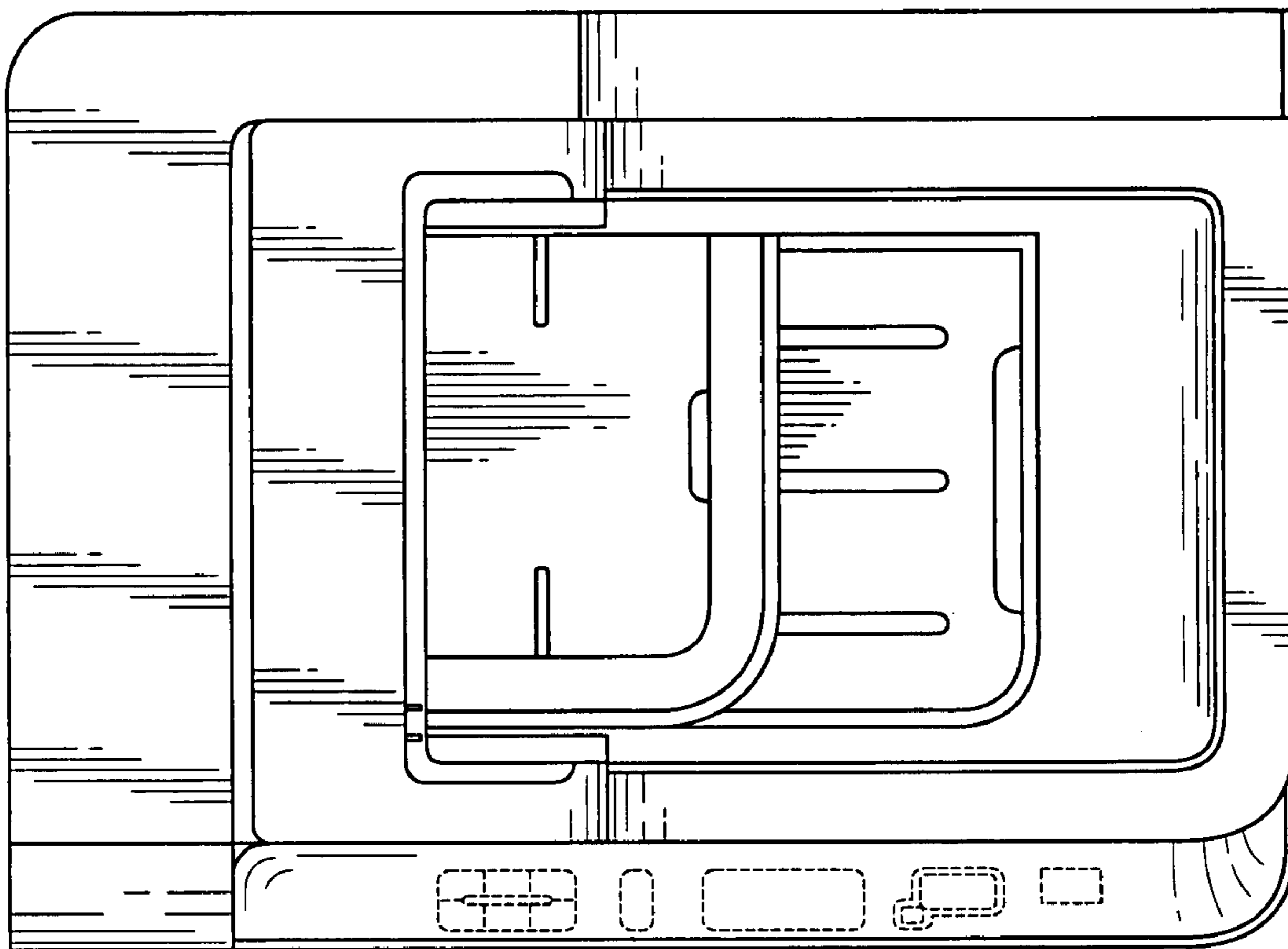


FIG. 6