

US00D573142S

(12) **United States Design Patent**
Amato

(10) **Patent No.:** **US D573,142 S**
(45) **Date of Patent:** **** Jul. 15, 2008**

- (54) **CD/DVD CASE DISPLAY FRAME**
 - (75) Inventor: **Richard F. Amato**, Youngstown, OH (US)
 - (73) Assignee: **Vinyltech International, LLC**, North Jackson, OH (US)
 - (**) Term: **14 Years**
 - (21) Appl. No.: **29/276,529**
 - (22) Filed: **Jan. 29, 2007**
 - (51) **LOC (8) Cl.** **14-03**
 - (52) **U.S. Cl.** **D14/239**
 - (58) **Field of Classification Search** D6/474, D6/477, 509-511, 479, 566, 574, 464, 465; D25/69, 53; 108/147.11; 211/90.01, 134, 211/153; D14/239
- See application file for complete search history.

- D374,485 S * 10/1996 Brown D25/38
- D378,852 S * 4/1997 Smolarski D23/388
- D406,735 S * 3/1999 Goodman et al. D7/704
- D417,108 S * 11/1999 Von Gunten et al. D6/511
- D442,700 S * 5/2001 Schwartz et al. D25/100
- D445,617 S * 7/2001 Von Gunten et al. D6/511
- D457,253 S * 5/2002 Erwin D25/100
- D462,784 S * 9/2002 Erwin D25/100
- D563,565 S * 3/2008 Gardner et al. D25/69

* cited by examiner

Primary Examiner—Elizabeth A. Albert
Assistant Examiner—Kelley A Donnelly
(74) *Attorney, Agent, or Firm*—Frederick L. Tolhurst, Esq.; Cohen & Grigsby, P.C.

(57) **CLAIM**

The ornamental design for CD/DVD case display frame, as shown and described.

DESCRIPTION

FIG. 1 is a perspective view of the CD/DVD case display frame embodying my new design.

FIG. 2 is a front elevation view of the display frame shown in FIG. 1.

FIG. 3 is a rear elevation view of the display frame shown in FIG. 1.

FIG. 4 is a top view of the display frame shown in FIG. 1.

FIG. 5 is a bottom view of the display frame shown in FIG. 1.

FIG. 6 is a rear end elevation view of the display frame shown in FIG. 1; and,

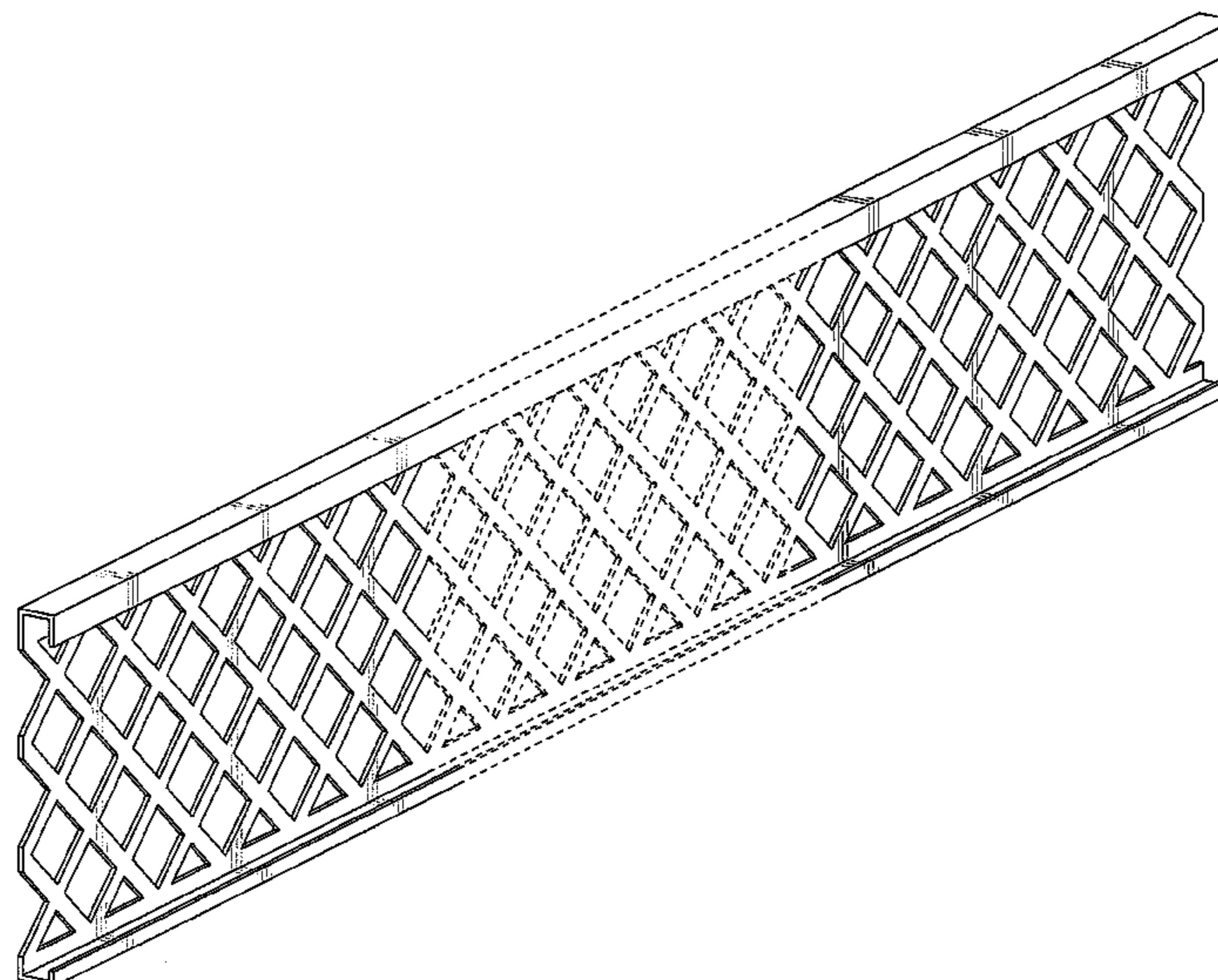
FIG. 7 is a front end elevation view of the display frame shown in FIG. 1.

The broken line showing in FIGS. 1, 2, 3, 4, and 5 are for environmental purposes only and form no part of the claimed design.

1 Claim, 3 Drawing Sheets

(56) **References Cited**
U.S. PATENT DOCUMENTS

- 1,336,580 A * 4/1920 Parr 47/44
- 1,961,144 A * 6/1934 Griffith 211/153
- 2,246,580 A * 6/1941 Farmer 160/227
- D182,226 S * 3/1958 Curtze D25/53
- 4,280,349 A 7/1981 Grabner et al.
- 4,281,292 A 7/1981 Caldarella et al.
- 4,290,530 A 9/1981 Wooster
- D277,490 S * 2/1985 Wenstrom et al. D19/33
- 4,497,125 A 2/1985 Hutchinson
- 4,684,030 A 8/1987 Gurzynski
- 4,867,306 A 9/1989 Factor
- 4,951,826 A 8/1990 Tompkins
- 5,040,687 A 8/1991 Whittington
- 5,052,564 A 10/1991 Zuzack
- D338,121 S * 8/1993 Pelosi D6/511
- 5,259,517 A 11/1993 Pancoe
- 5,372,263 A 12/1994 Nickel
- 5,485,926 A 1/1996 Kundert



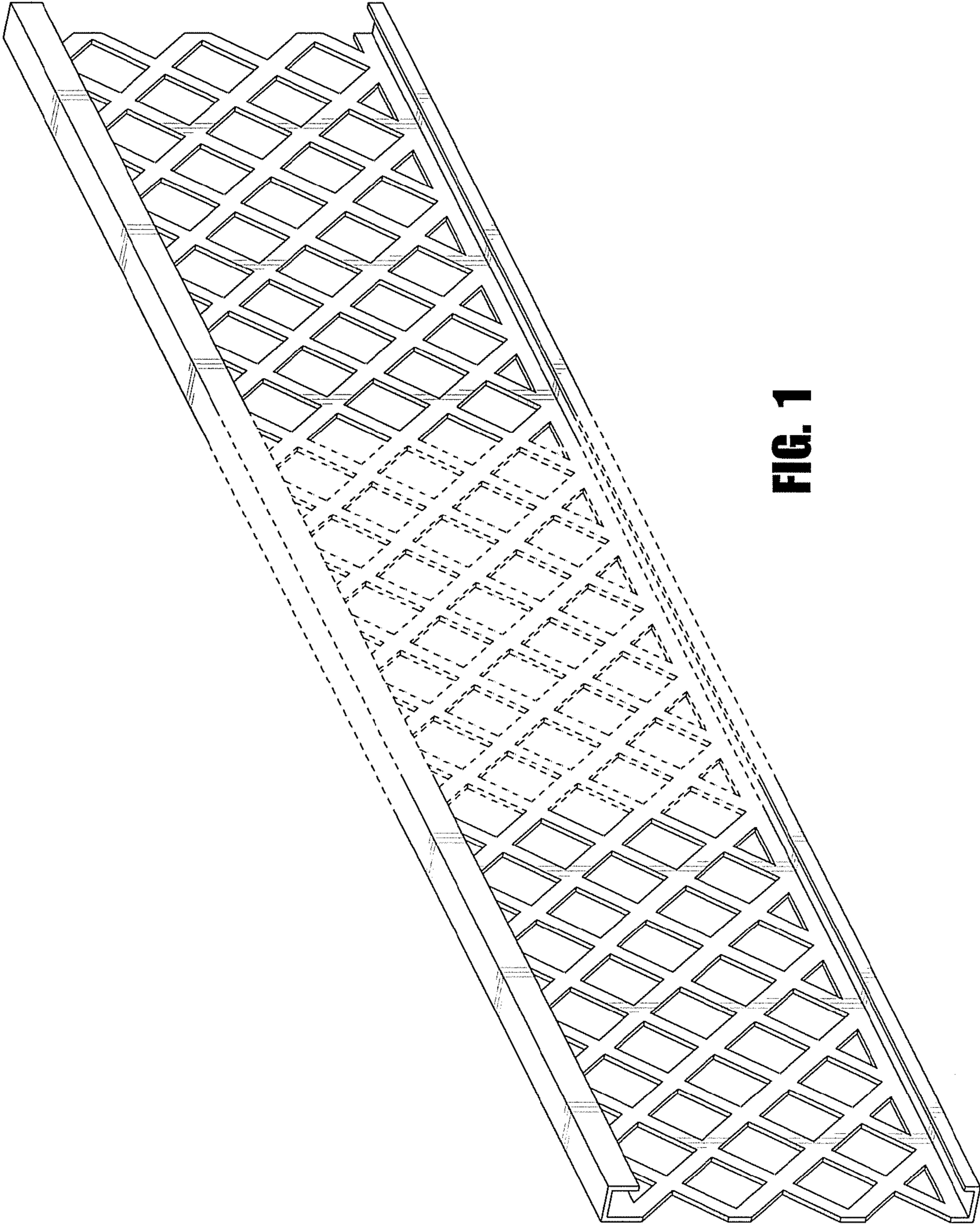


FIG. 1

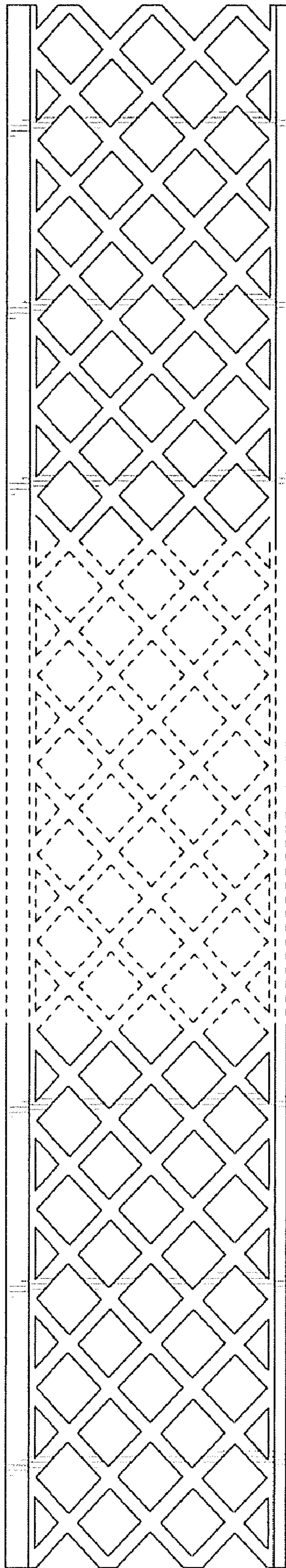


FIG. 2

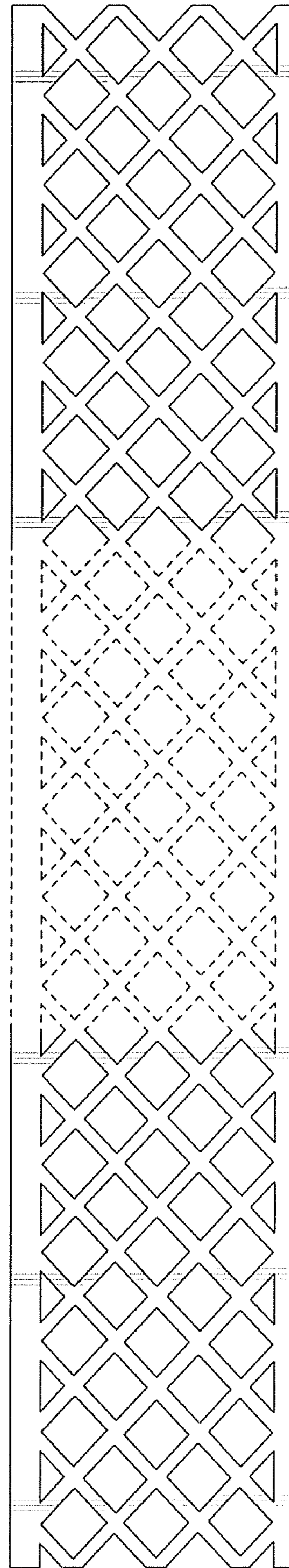


FIG. 3



FIG. 4

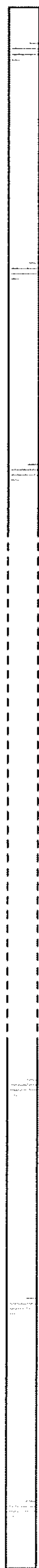


FIG. 5

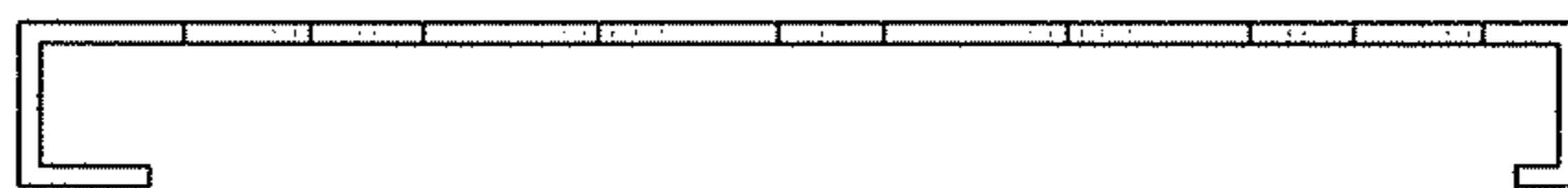


FIG. 6



FIG. 7