



US00D573141S

(12) **United States Design Patent**  
**Goto**

(10) **Patent No.:** **US D573,141 S**  
(45) **Date of Patent:** **\*\* Jul. 15, 2008**

(54) **COMBINED CAMERA AND MICROPHONE**

(75) Inventor: **Teiyu Goto**, Tokyo (JP)

(73) Assignee: **Sony Computer Entertainment Inc.**,  
Tokyo (JP)

(\*\*) Term: **14 Years**

(21) Appl. No.: **29/272,584**

(22) Filed: **Feb. 13, 2007**

(30) **Foreign Application Priority Data**

Sep. 21, 2006 (JP) ..... D2006-025317

(51) **LOC (8) Cl.** ..... **14-01**

(52) **U.S. Cl.** ..... **D14/226; D16/208**

(58) **Field of Classification Search** ..... D14/225-228;  
D16/200-204, 208, 219; 181/158, 242; 352/1,  
352/12; 348/373, 375

See application file for complete search history.

(56) **References Cited**

**U.S. PATENT DOCUMENTS**

1,678,842 A \* 7/1928 Aiken ..... 181/242  
2,857,013 A \* 10/1958 Orso ..... 181/242  
3,027,423 A \* 3/1962 Reinthaler ..... D14/228  
3,414,686 A \* 12/1968 Reinthaler ..... 181/242  
D292,701 S \* 11/1987 Drever ..... D14/228

D418,513 S 1/2000 Suzuki et al.  
D475,070 S 5/2003 Ogura  
D478,108 S 8/2003 Miyazaki  
D489,057 S 4/2004 Obata et al.  
D554,628 S \* 11/2007 Aoki ..... D14/226

\* cited by examiner

*Primary Examiner*—Adir Aronovich  
(74) *Attorney, Agent, or Firm*—Rader, Fishman & Grauer,  
PLLC

(57) **CLAIM**

The ornamental design for a combined camera and microphone, as shown and described.

**DESCRIPTION**

FIG. 1 is a front elevational view of a combined camera and microphone showing my new design;

FIG. 2 is a right side elevational view thereof, an undisclosed left side view being a mirror image thereof;

FIG. 3 is a top plan view thereof;

FIG. 4 is a bottom plan view thereof; and,

FIG. 5 is a perspective view thereof.

The portions of the design shown in broken lines are for illustrative purposes only and form no part of the claimed design.

**1 Claim, 5 Drawing Sheets**

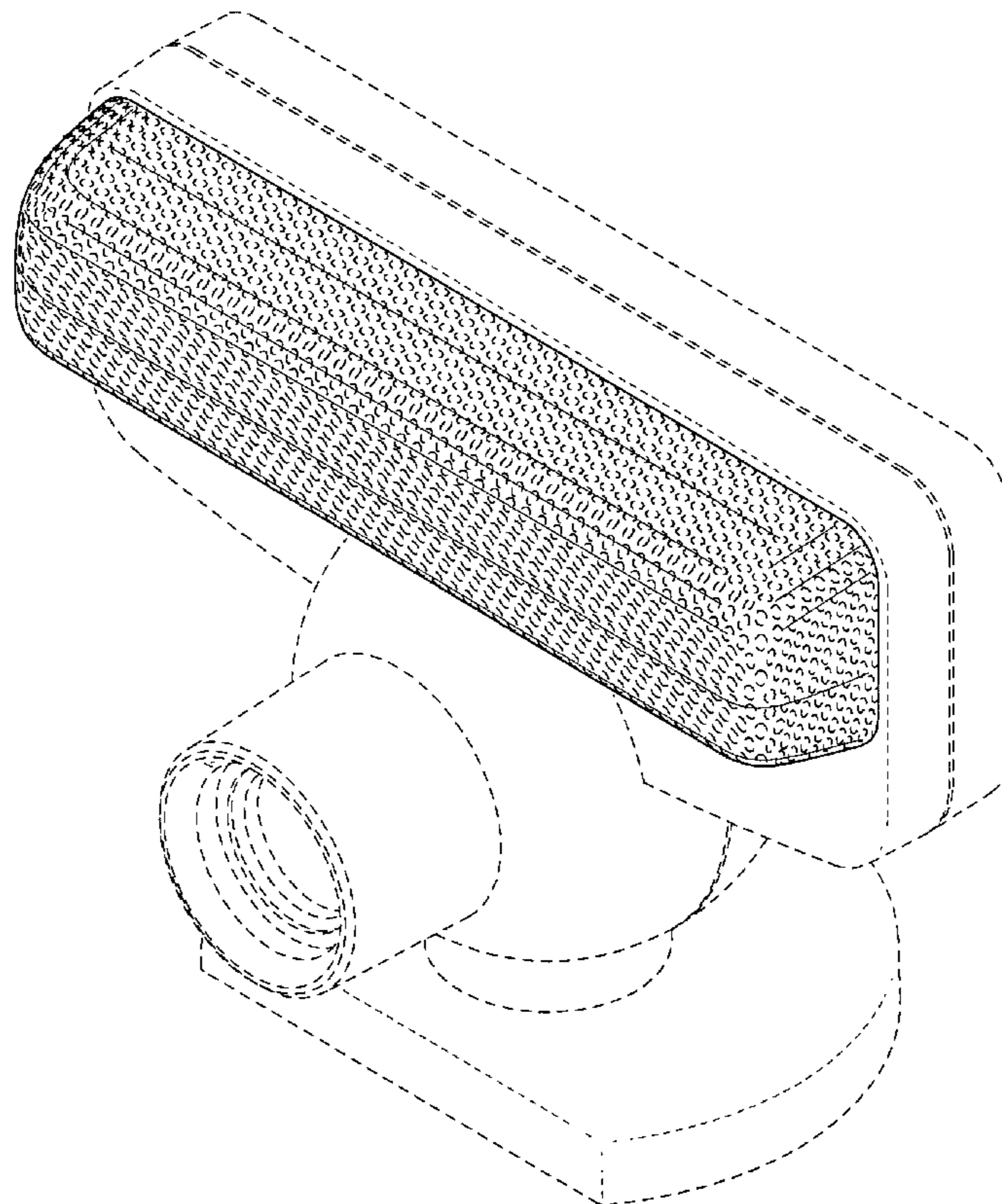


Fig.1

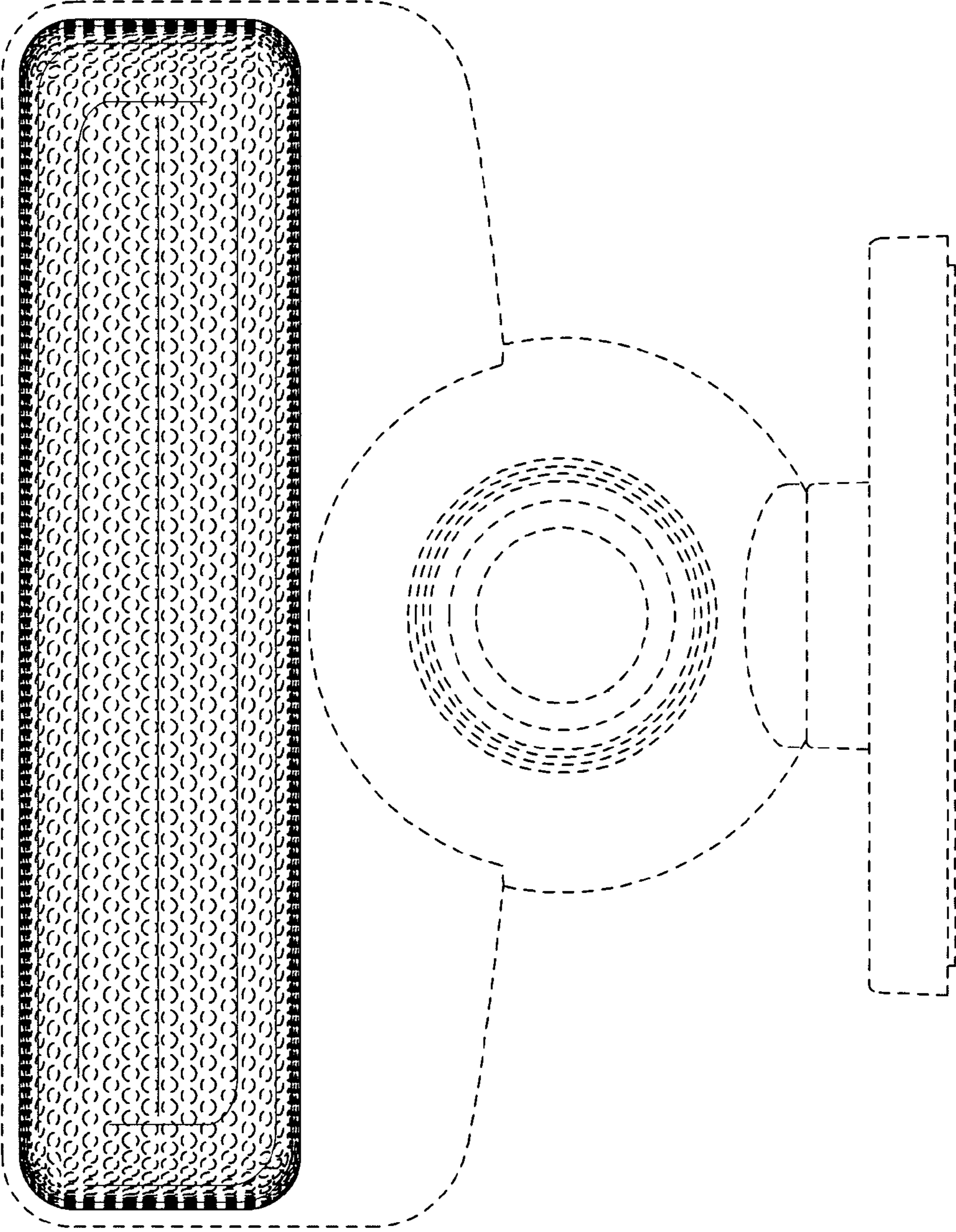


Fig.2

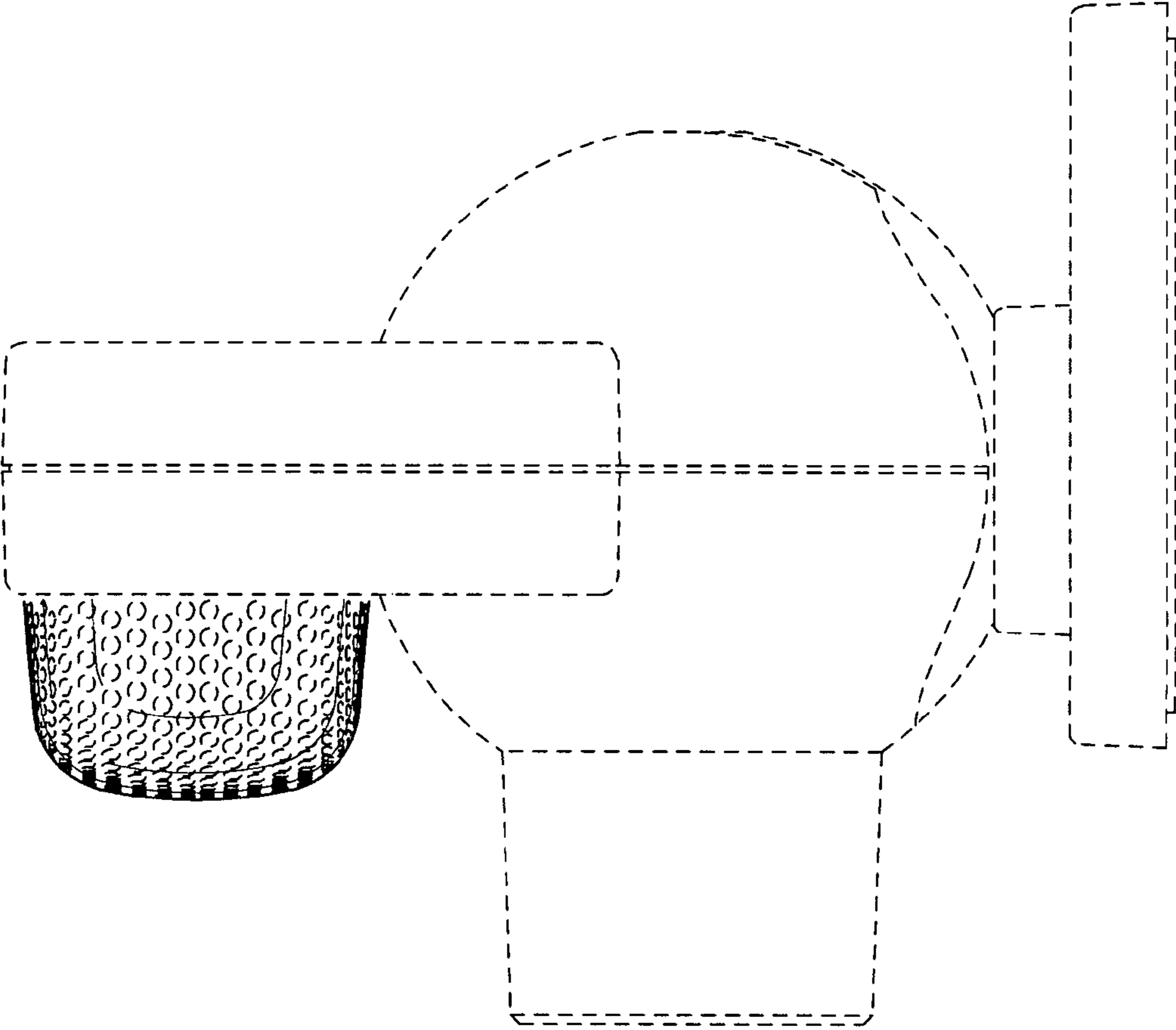


Fig.3

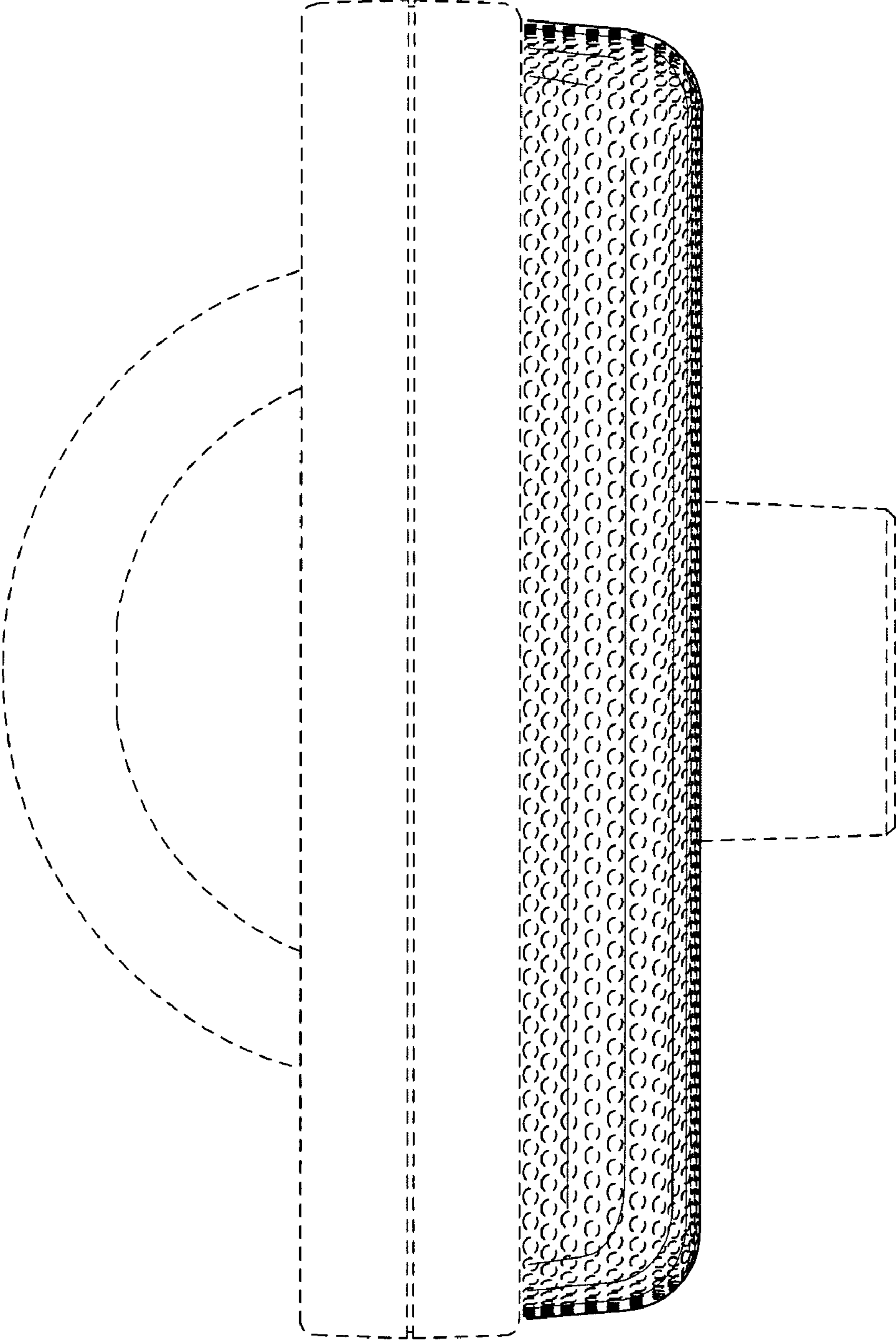




Fig.4

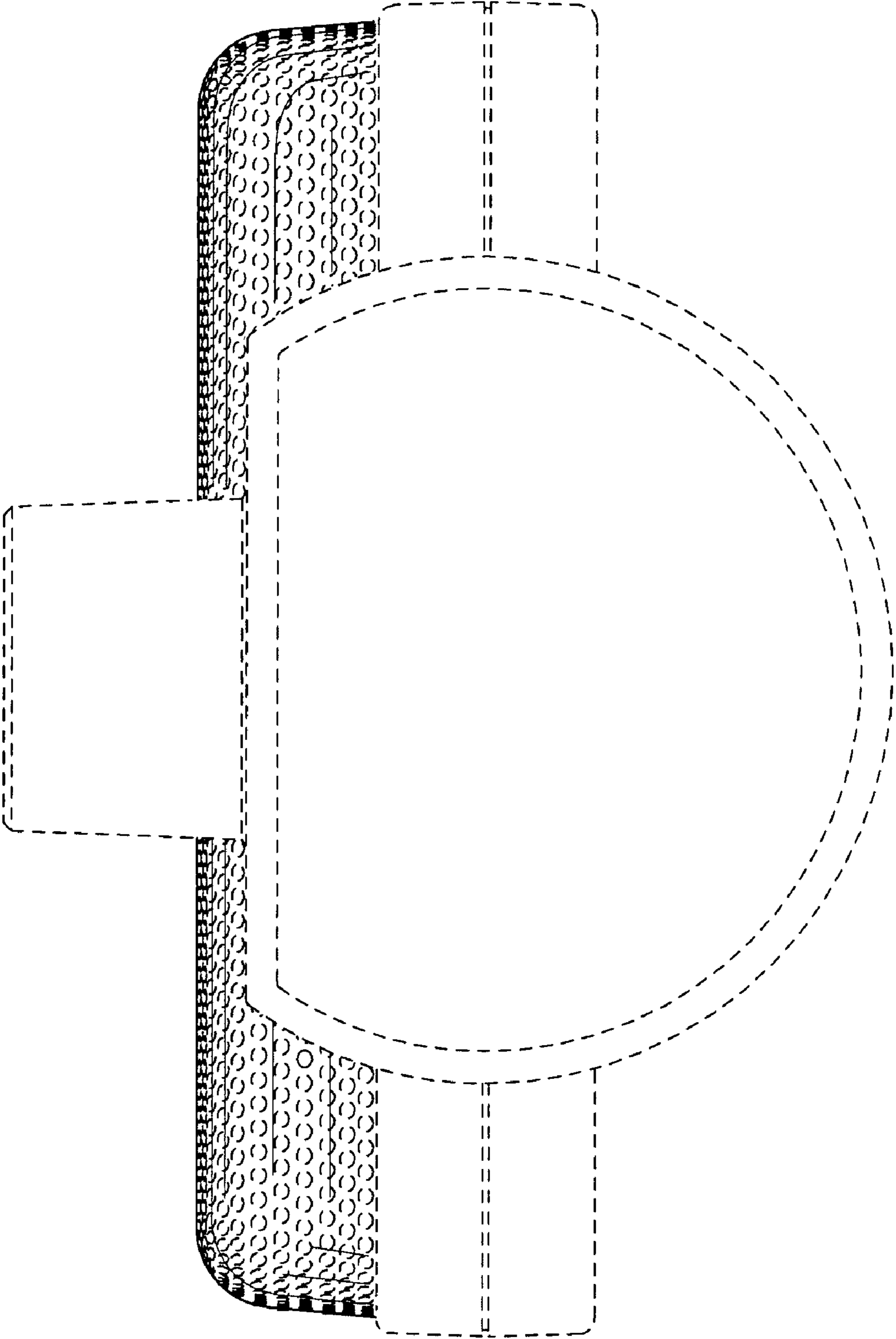


Fig.5

