



US00D573139S

(12) **United States Design Patent**
Birger

(10) **Patent No.:** **US D573,139 S**

(45) **Date of Patent:** **** Jul. 15, 2008**

(54) **HEADSET**

(75) Inventor: **Johan Birger**, Copenhagen (DK)

(73) Assignee: **GN Netcom A/S** (DK)

(**) Term: **14 Years**

(21) Appl. No.: **29/272,488**

(22) Filed: **Feb. 8, 2007**

(30) **Foreign Application Priority Data**

Aug. 17, 2006 (EM) 000577911

(51) **LOC (8) Cl.** **14-01**

(52) **U.S. Cl.** **D14/223; D14/205**

(58) **Field of Classification Search** D14/205,
D14/206, 223; 181/128, 129, 135; 379/430,
379/431; 381/370, 371, 380, 381; 455/569.1;
D24/174, 173

See application file for complete search history.

(56) **References Cited**

U.S. PATENT DOCUMENTS

D463,791 S *	10/2002	Nagai et al.	D14/223
D470,833 S *	2/2003	Rath et al.	D14/205
D471,889 S *	3/2003	Rath et al.	D14/205
D479,834 S *	9/2003	Salazar et al.	D14/205
D494,570 S *	8/2004	Ma	D14/223
D497,613 S *	10/2004	Gwee	D14/223
D502,171 S *	2/2005	Tang et al.	D14/223
D504,884 S *	5/2005	Hering	D14/206
D509,210 S *	9/2005	Skulley et al.	D14/205
D509,211 S *	9/2005	Han et al.	D14/205

D509,823 S *	9/2005	Han et al.	D14/223
D545,813 S *	7/2007	Ma	D14/223

* cited by examiner

Primary Examiner—Paula A. Greene

(74) *Attorney, Agent, or Firm*—Altera Law Group, LLC

(57) **CLAIM**

The ornamental design for headset, as shown and described.

DESCRIPTION

FIG. 1 is a front perspective view of a headset showing my new design;

FIG. 2 is a front elevational view thereof;

FIG. 3 is a side elevational view thereof;

FIG. 4 is a top view thereof;

FIG. 5 is a bottom view thereof;

FIG. 6 is a rear view thereof;

FIG. 7 is a side elevational view thereof;

FIG. 8 is a front perspective view of a second embodiment of a headset showing my new design, the only difference being the front central portion;

FIG. 9 is a front elevational view thereof;

FIG. 10 is a side elevational view thereof;

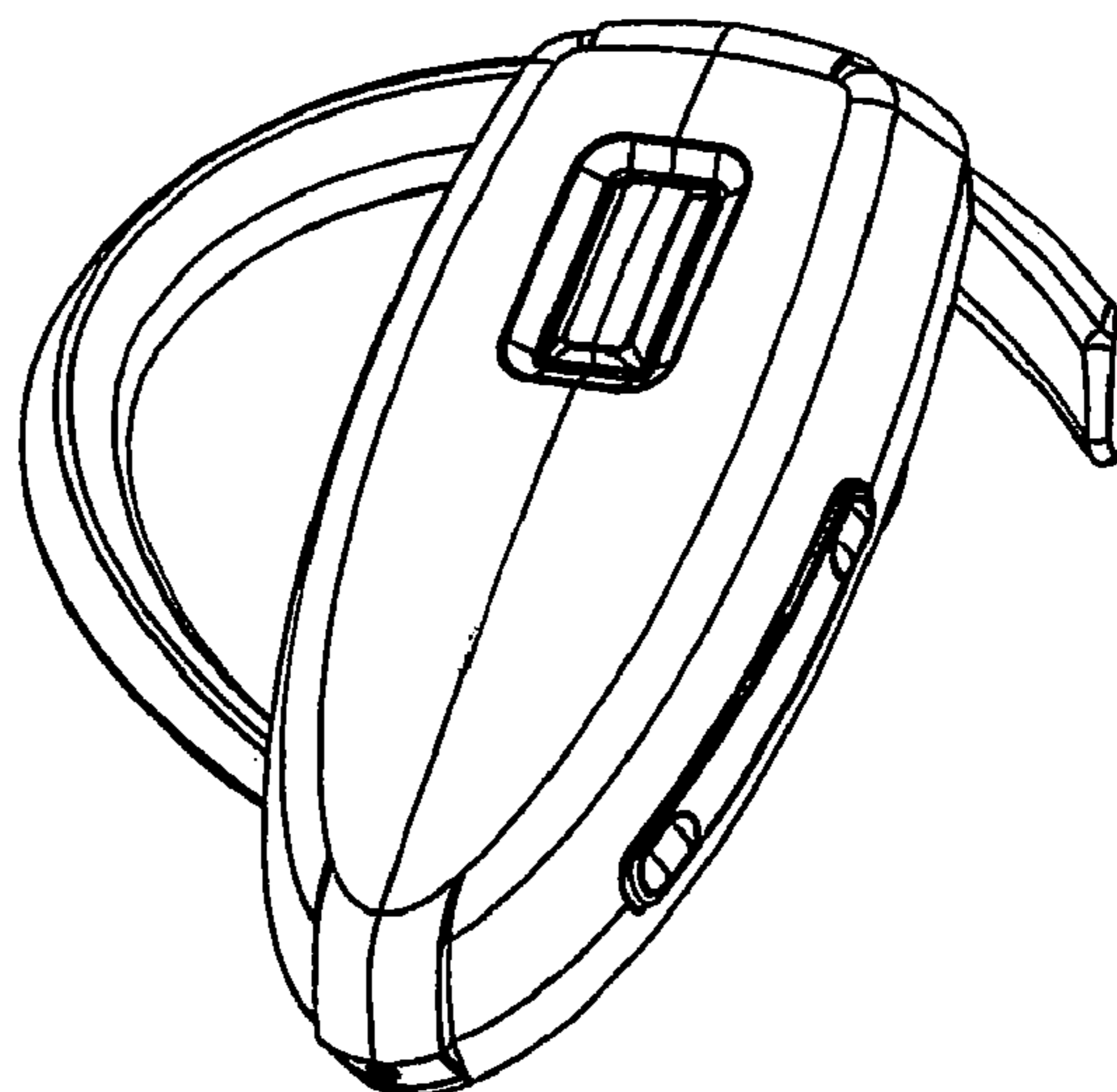
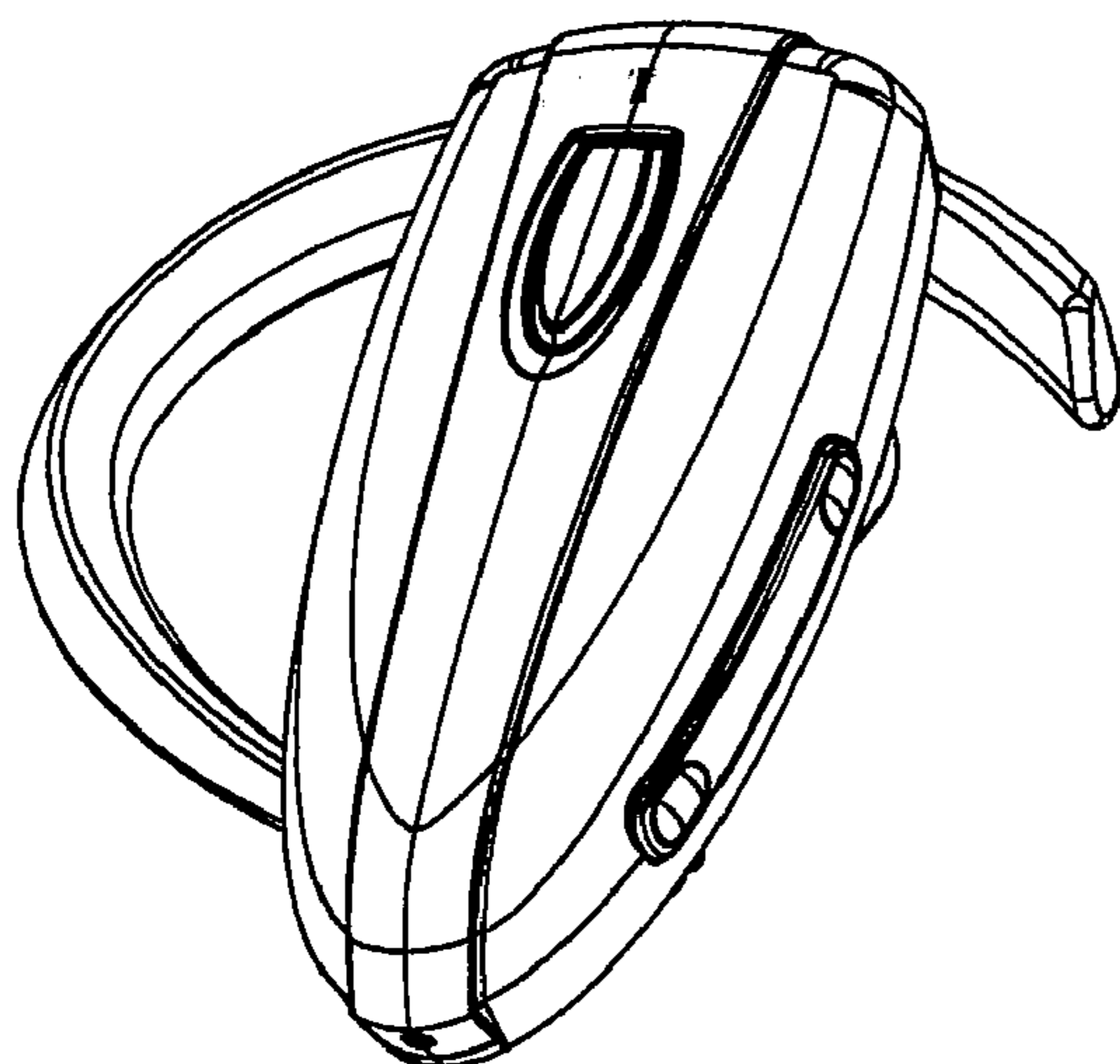
FIG. 11 is a top view thereof;

FIG. 12 is a bottom view thereof;

FIG. 13 is a rear view thereof; and,

FIG. 14 is a side elevational view thereof.

1 Claim, 6 Drawing Sheets



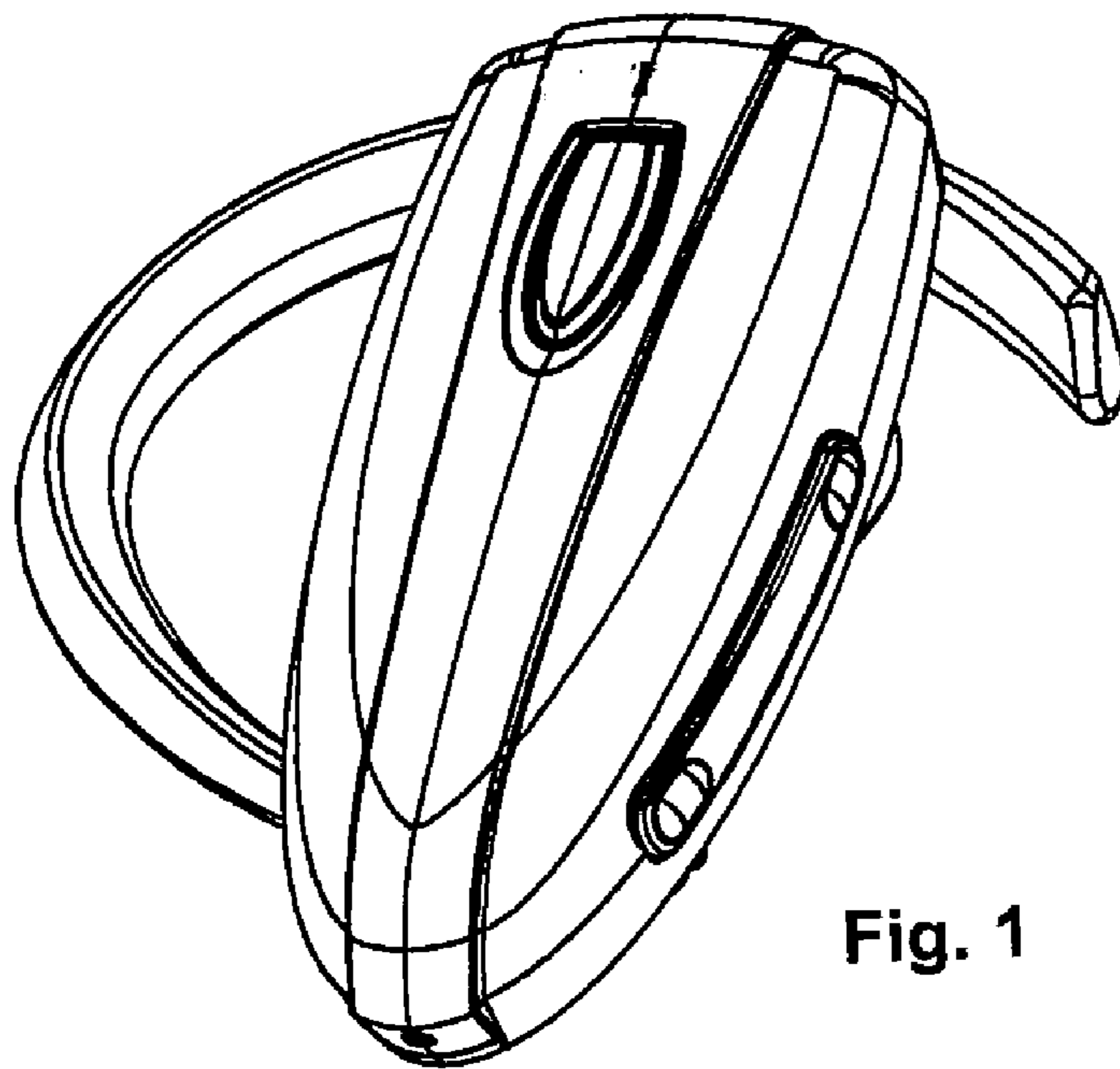


Fig. 1

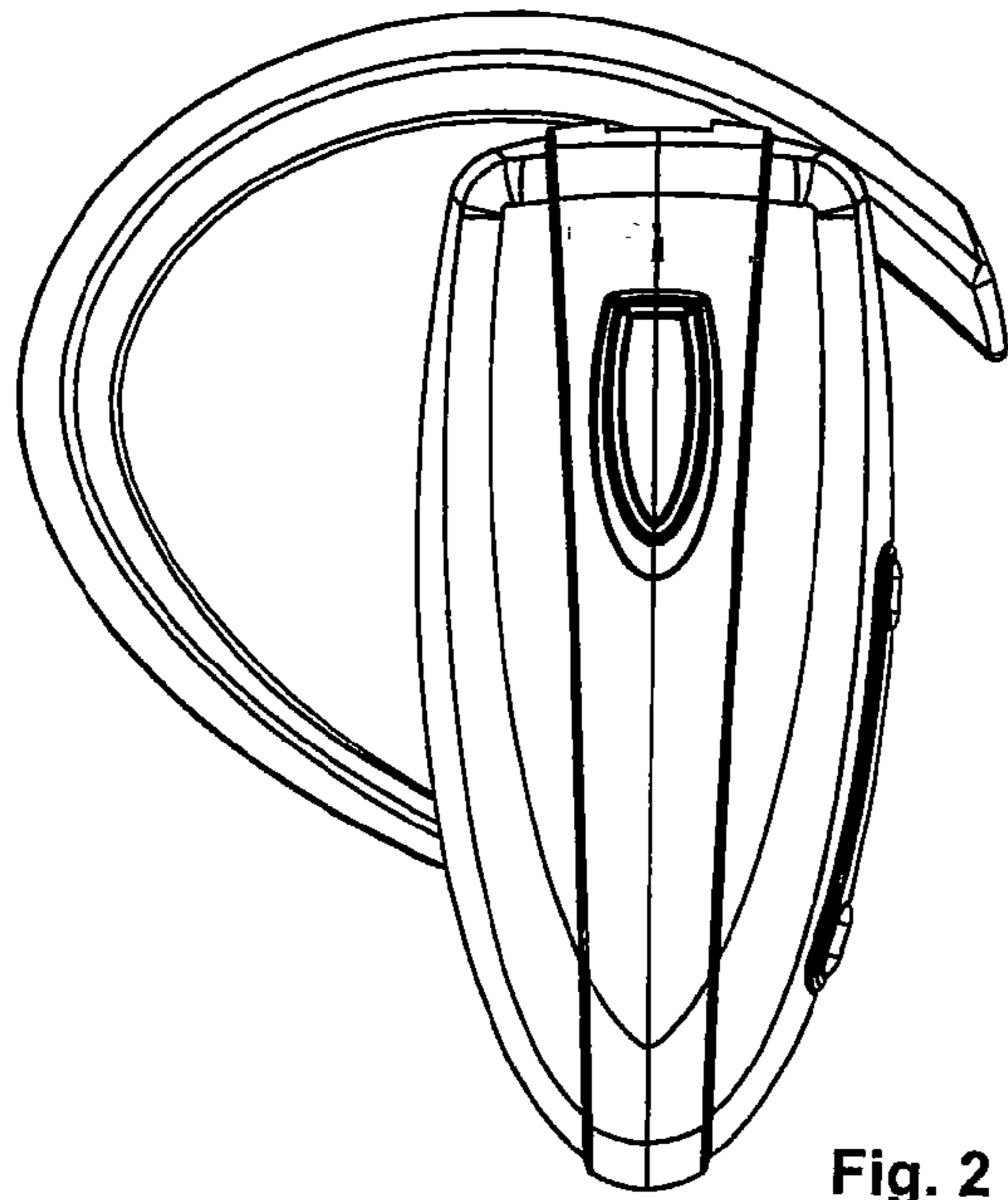


Fig. 2



Fig. 3

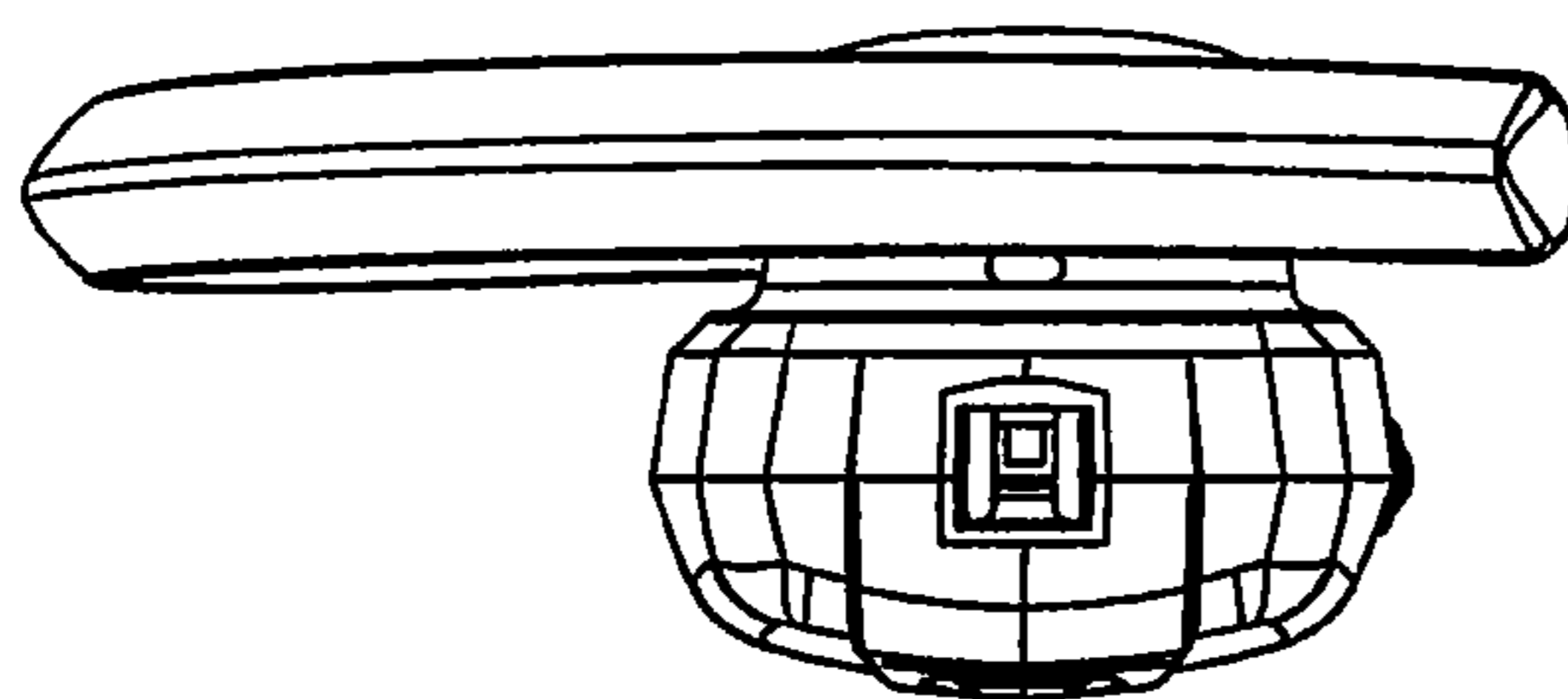


Fig. 4

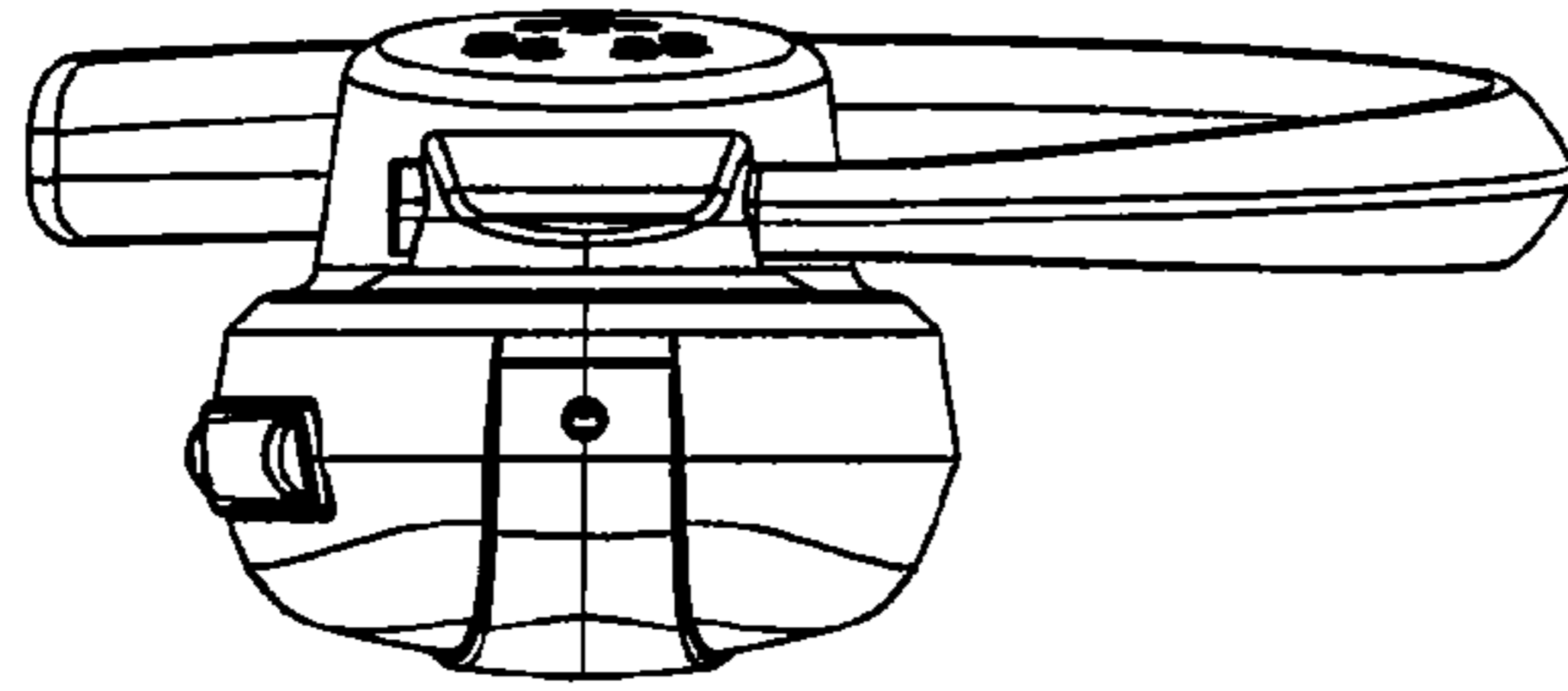


Fig. 5

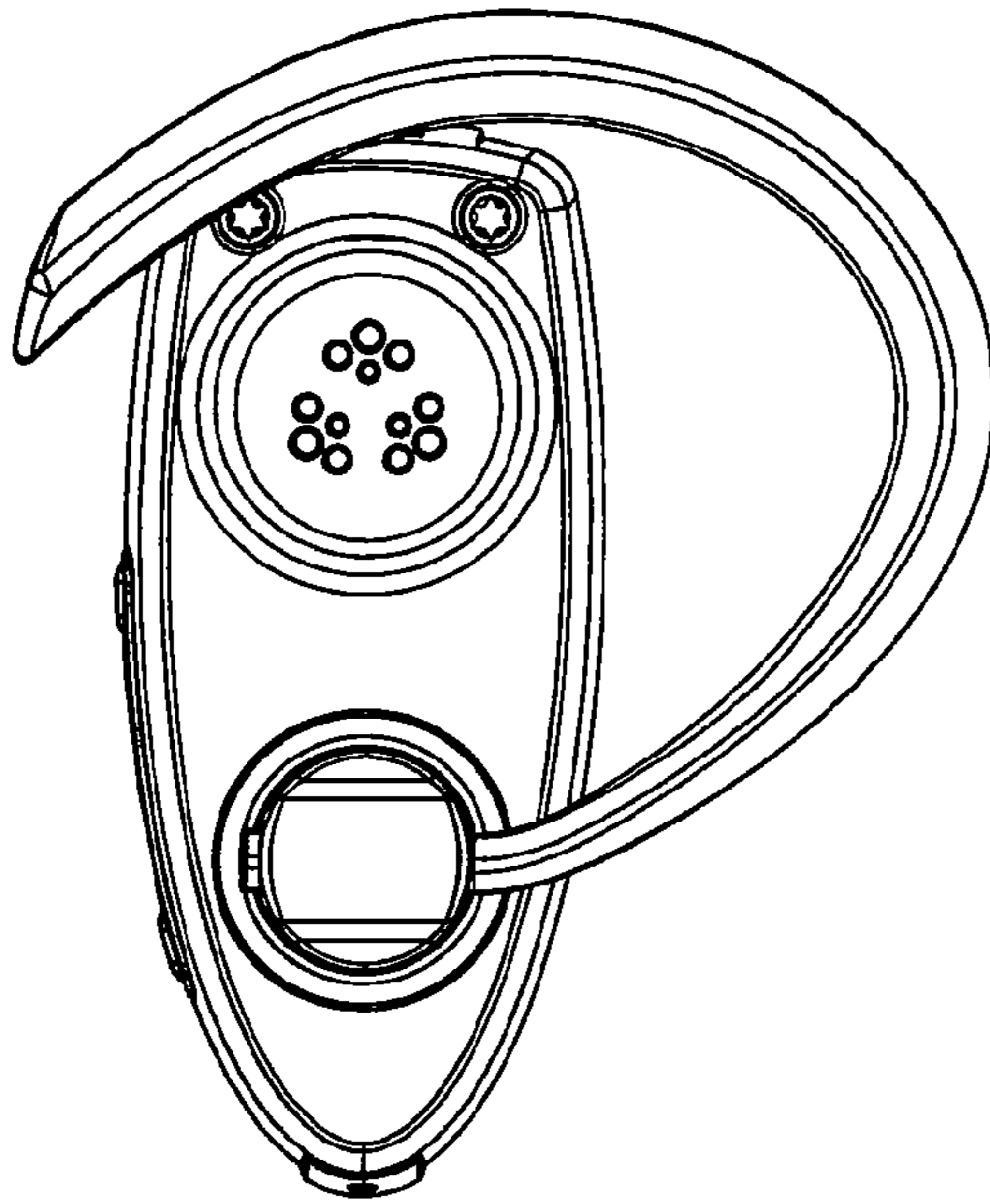


Fig. 6

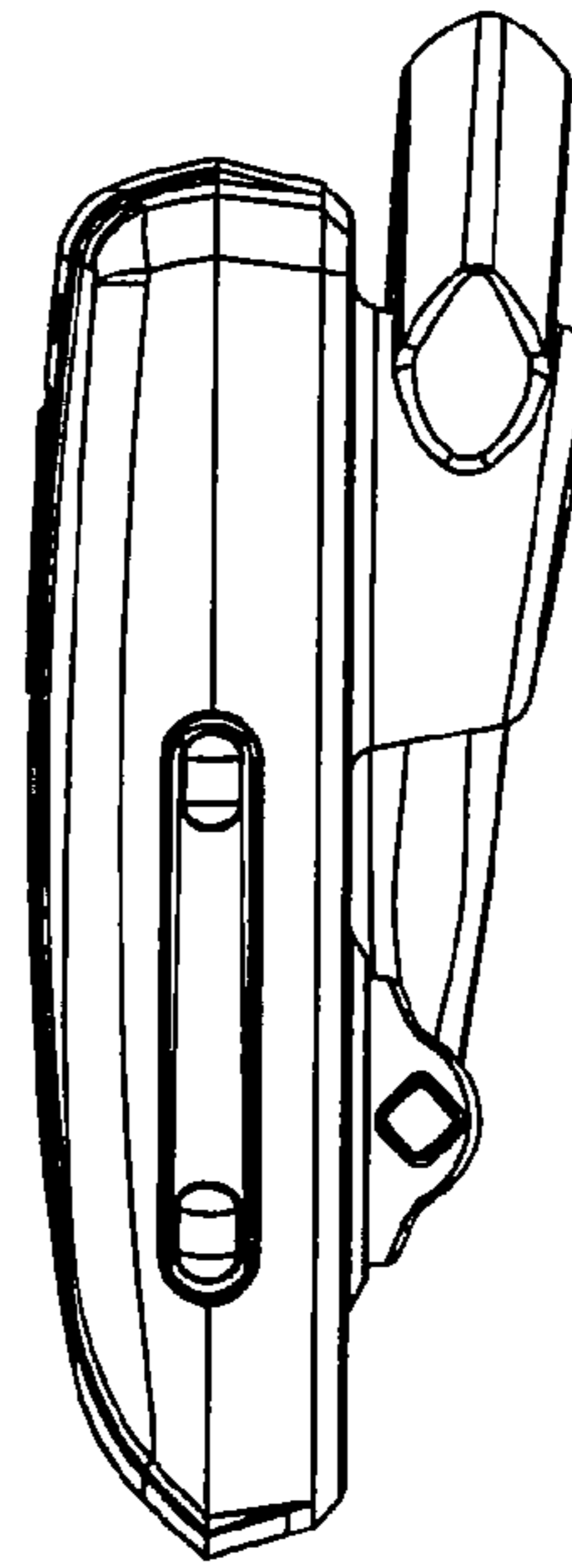


Fig. 7

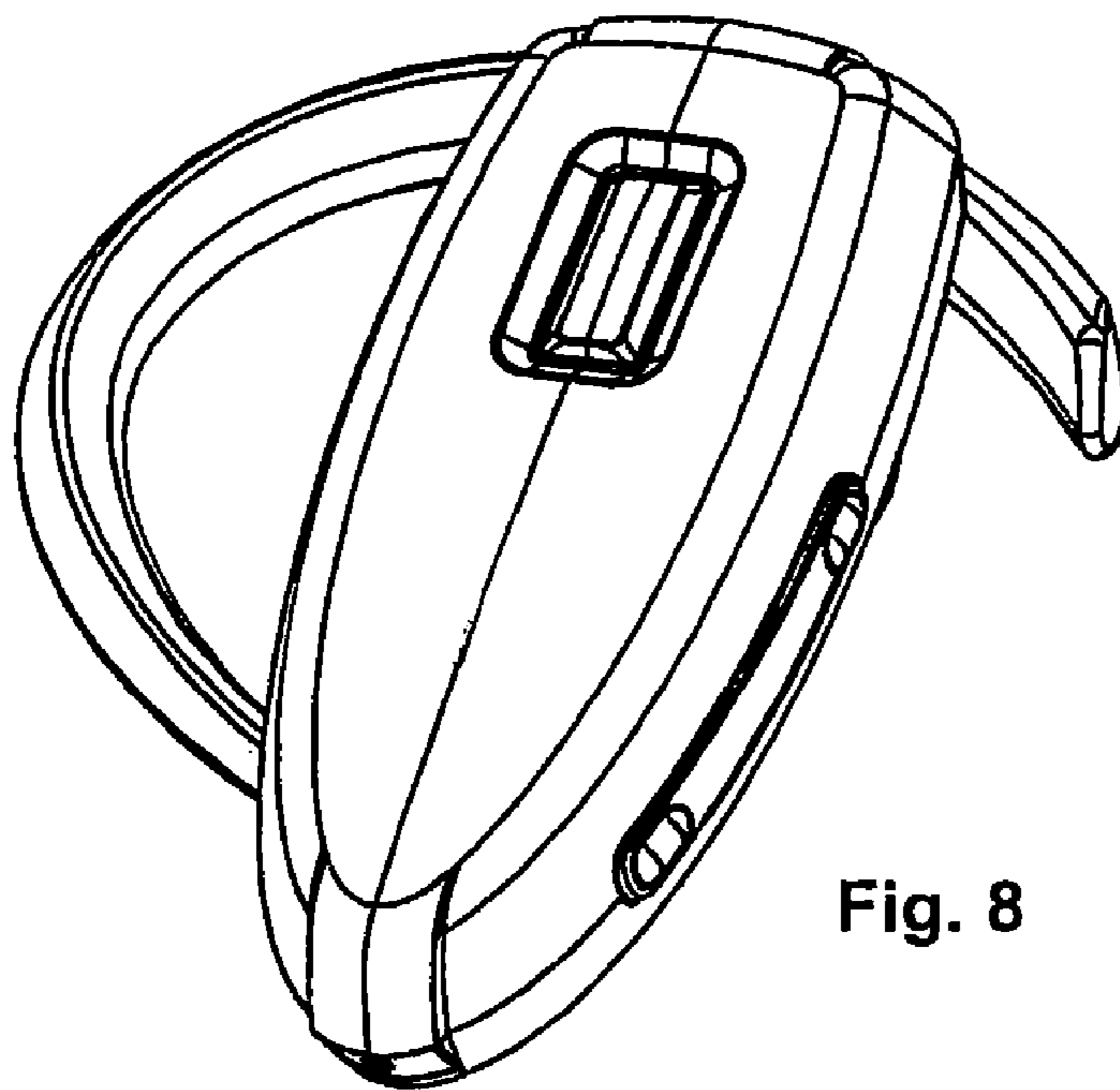


Fig. 8

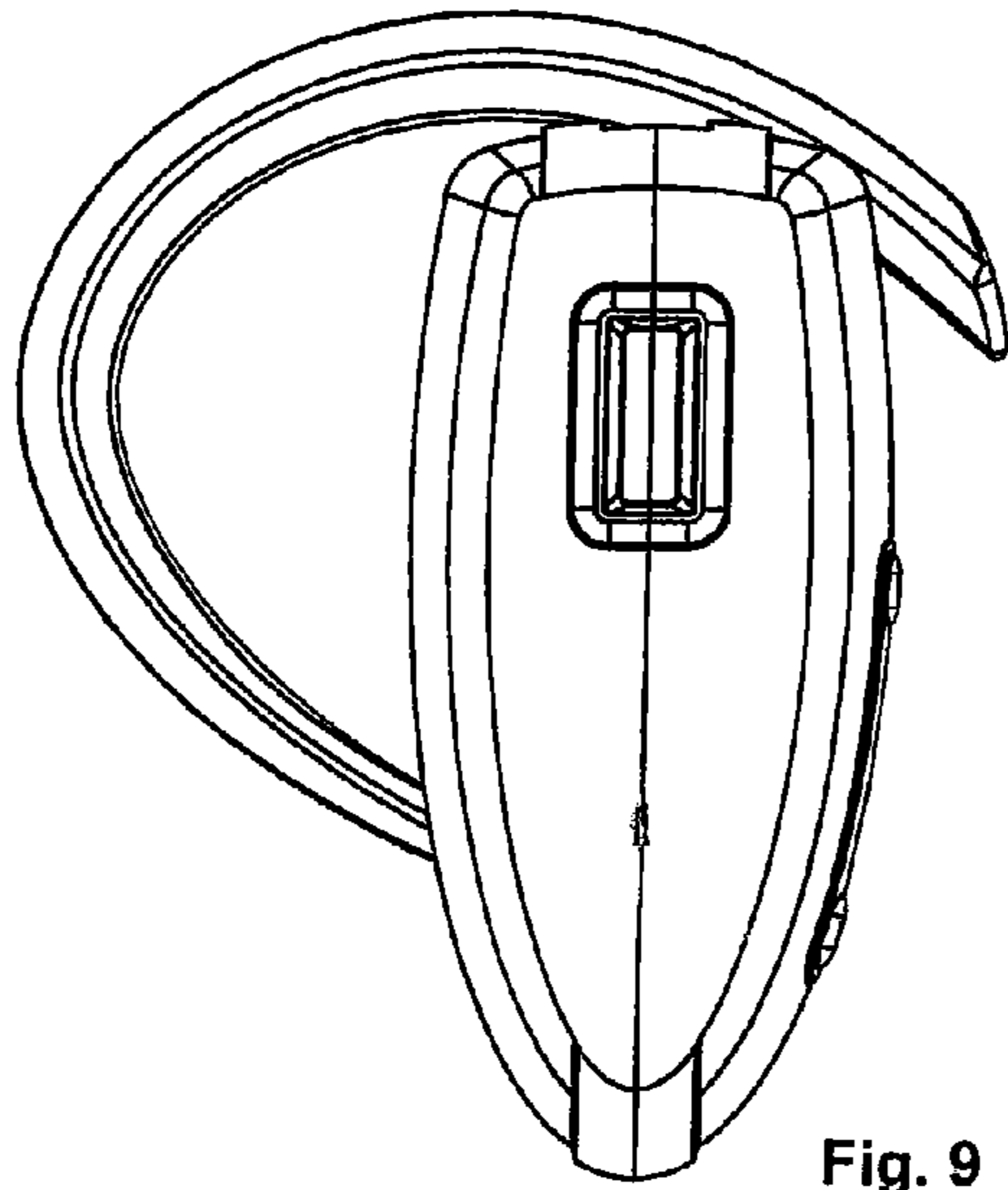


Fig. 9

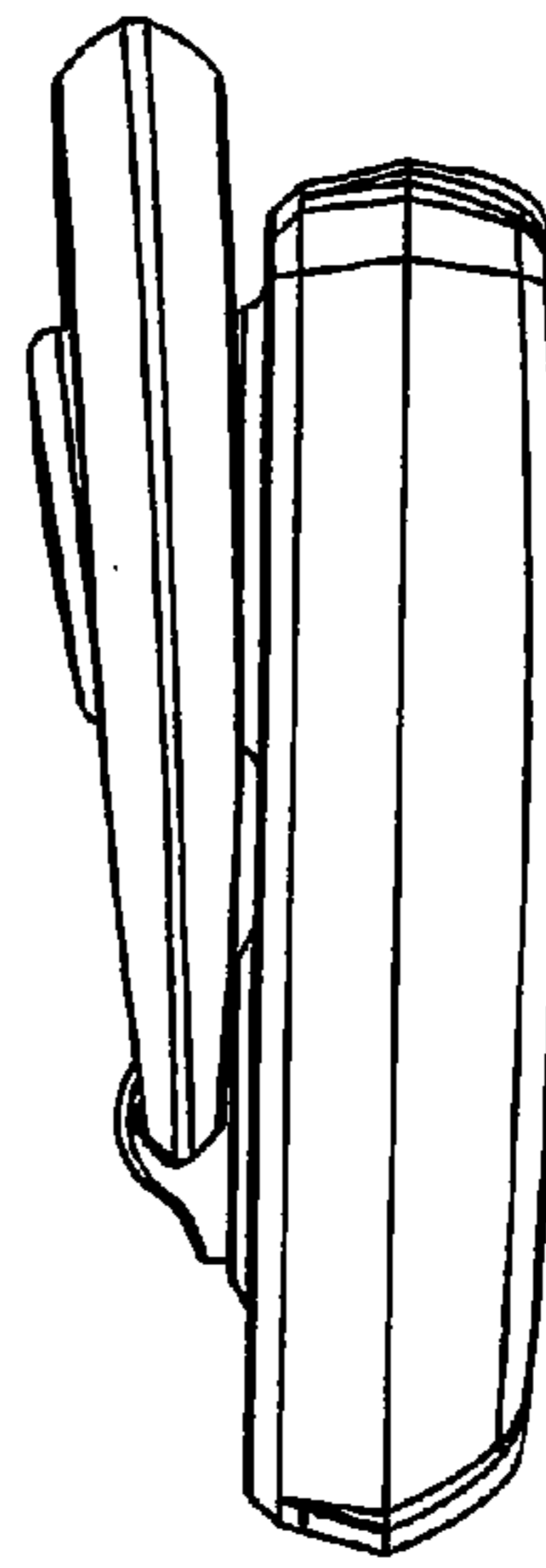


Fig. 10

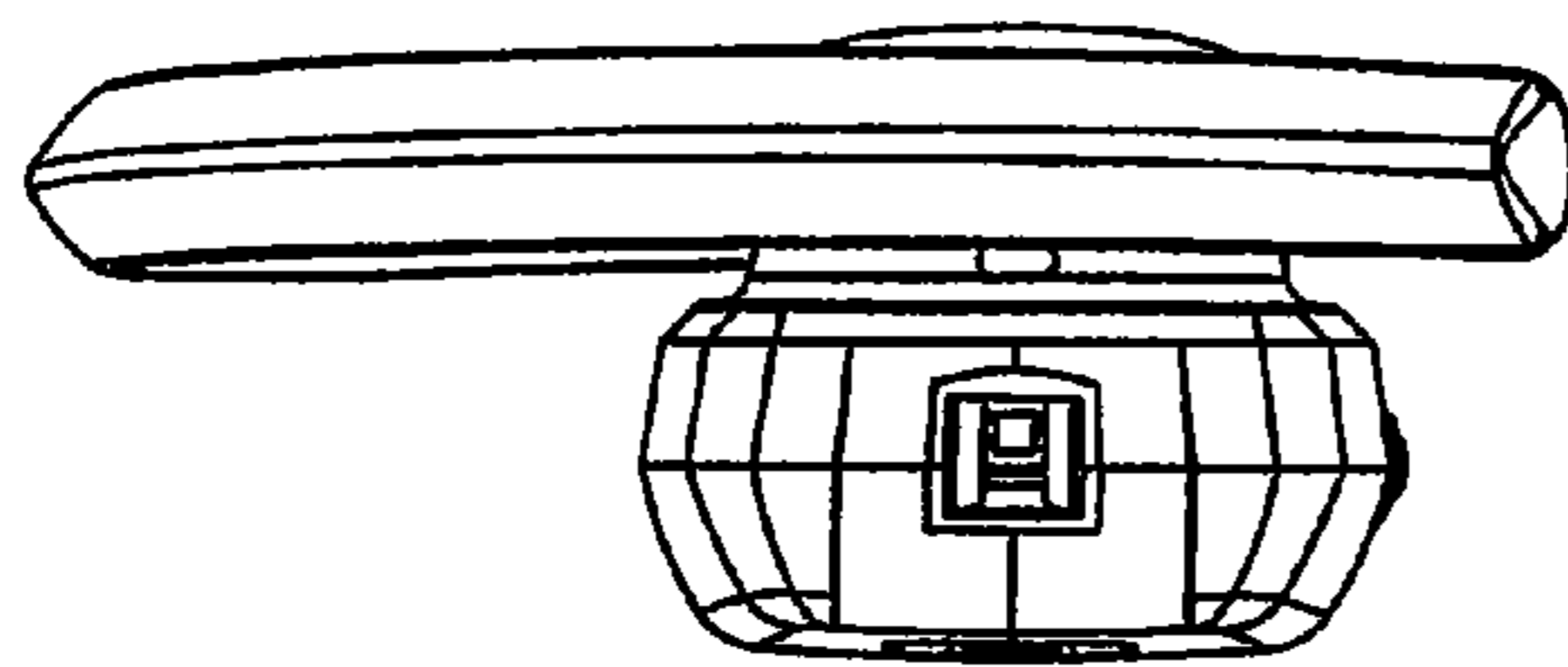


Fig. 11

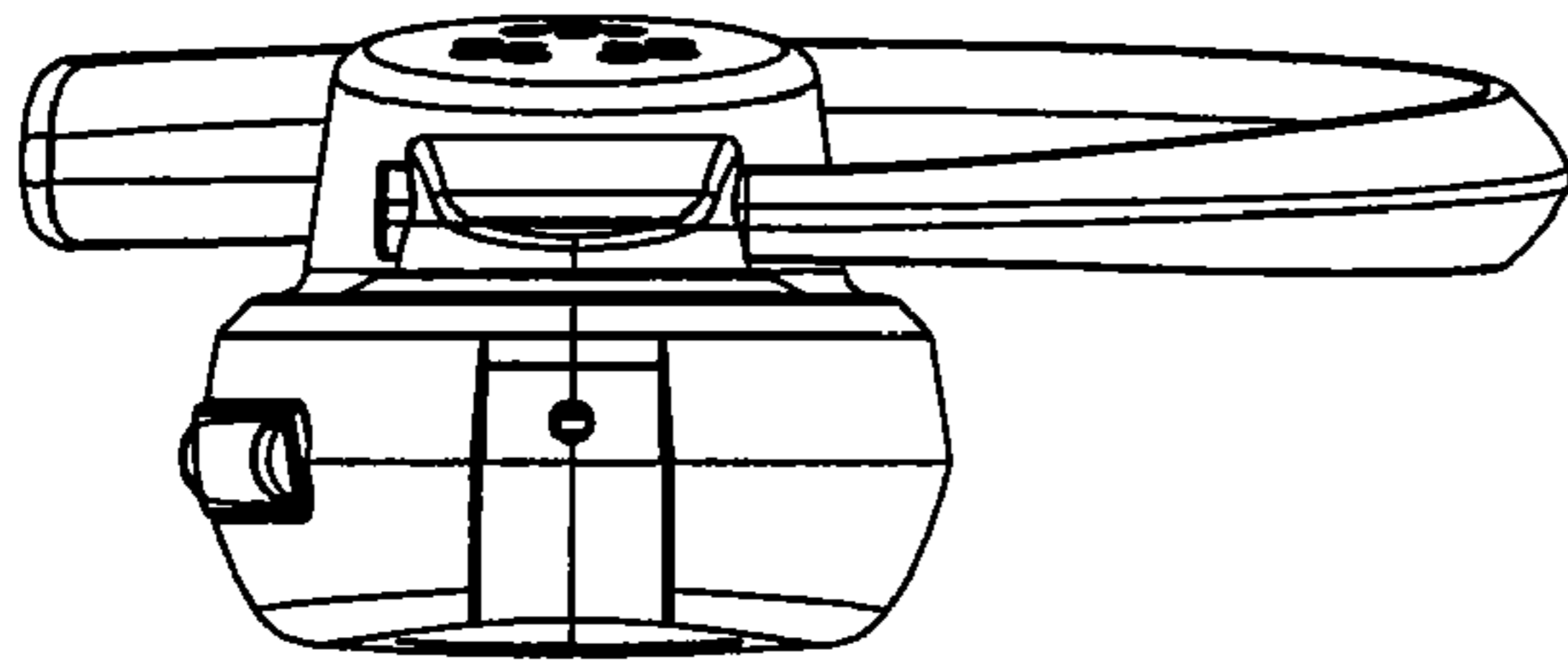


Fig. 12

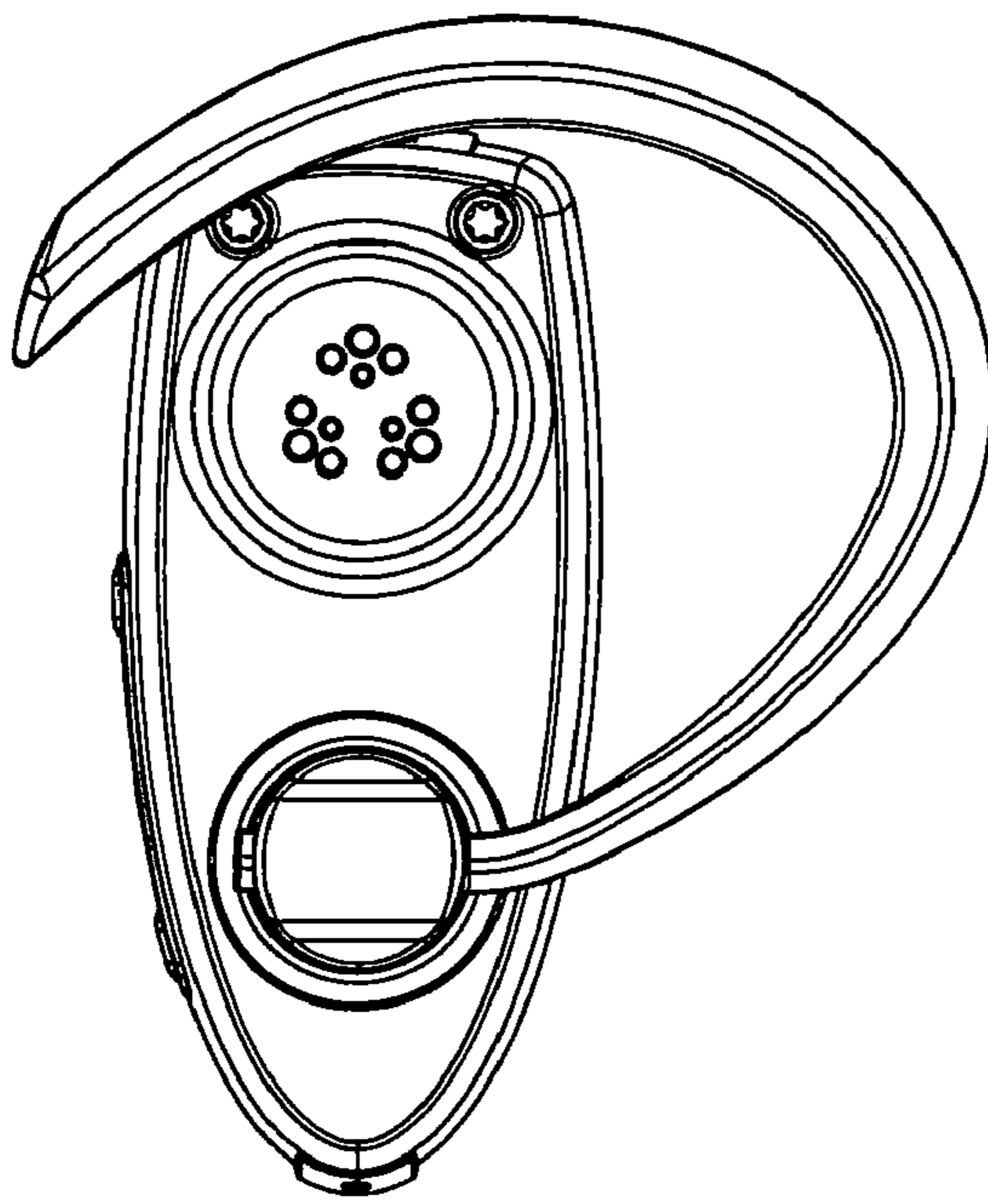


Fig. 13

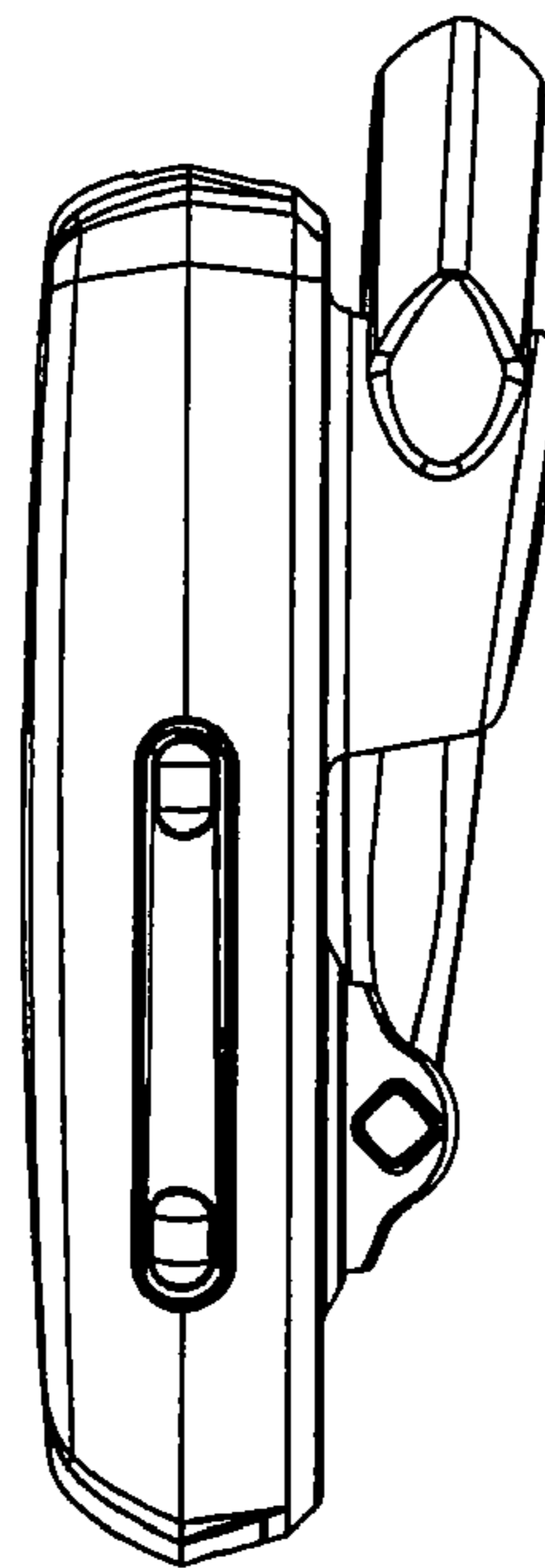


Fig. 14