

US00D573138S

(12) **United States Design Patent**
Goransson

(10) **Patent No.:** **US D573,138 S**
(45) **Date of Patent:** **** Jul. 15, 2008**

(54) **HEADSET**

(75) Inventor: **Magnus Goransson**, Copenhagen (DK)

(73) Assignee: **GN Netcom A/S**, Ballerup (DK)

(**) Term: **14 Years**

(21) Appl. No.: **29/269,943**

(22) Filed: **Dec. 12, 2006**

(30) **Foreign Application Priority Data**

Jun. 22, 2006 (EM) 000549282-0001

(51) **LOC (8) Cl.** **14-01**

(52) **U.S. Cl.** **D14/223**

(58) **Field of Classification Search** D14/205-206,
D14/223, 138, 147, 168, 188, 195; 379/430,
379/433.03, 446; 381/374-376, 377-381;
181/129-130, 135

See application file for complete search history.

(56) **References Cited**

U.S. PATENT DOCUMENTS

D240,453 S * 7/1976 Okada et al. D14/195
D479,834 S * 9/2003 Salazar et al. D14/205
D504,125 S * 4/2005 Tien D14/188

D504,884 S * 5/2005 Hering D14/206
D509,210 S * 9/2005 Skulley et al. D14/205
D512,991 S * 12/2005 Yano D14/223
D514,549 S * 2/2006 Rath et al. D14/223
D526,313 S * 8/2006 Murray D14/223
D528,531 S * 9/2006 Rose et al. D14/138
D538,268 S * 3/2007 Gibson et al. D14/223
D538,792 S * 3/2007 Kim et al. D14/223
D549,686 S * 8/2007 Leung D14/168

* cited by examiner

Primary Examiner—Paula A. Greene

(74) *Attorney, Agent, or Firm*—Altera Law Group, LLC

(57) **CLAIM**

The ornamental design for headset, as shown and described.

DESCRIPTION

FIG. 1 is a perspective view of the headset.

FIG. 2 is a front view thereof.

FIG. 3 is a side view thereof.

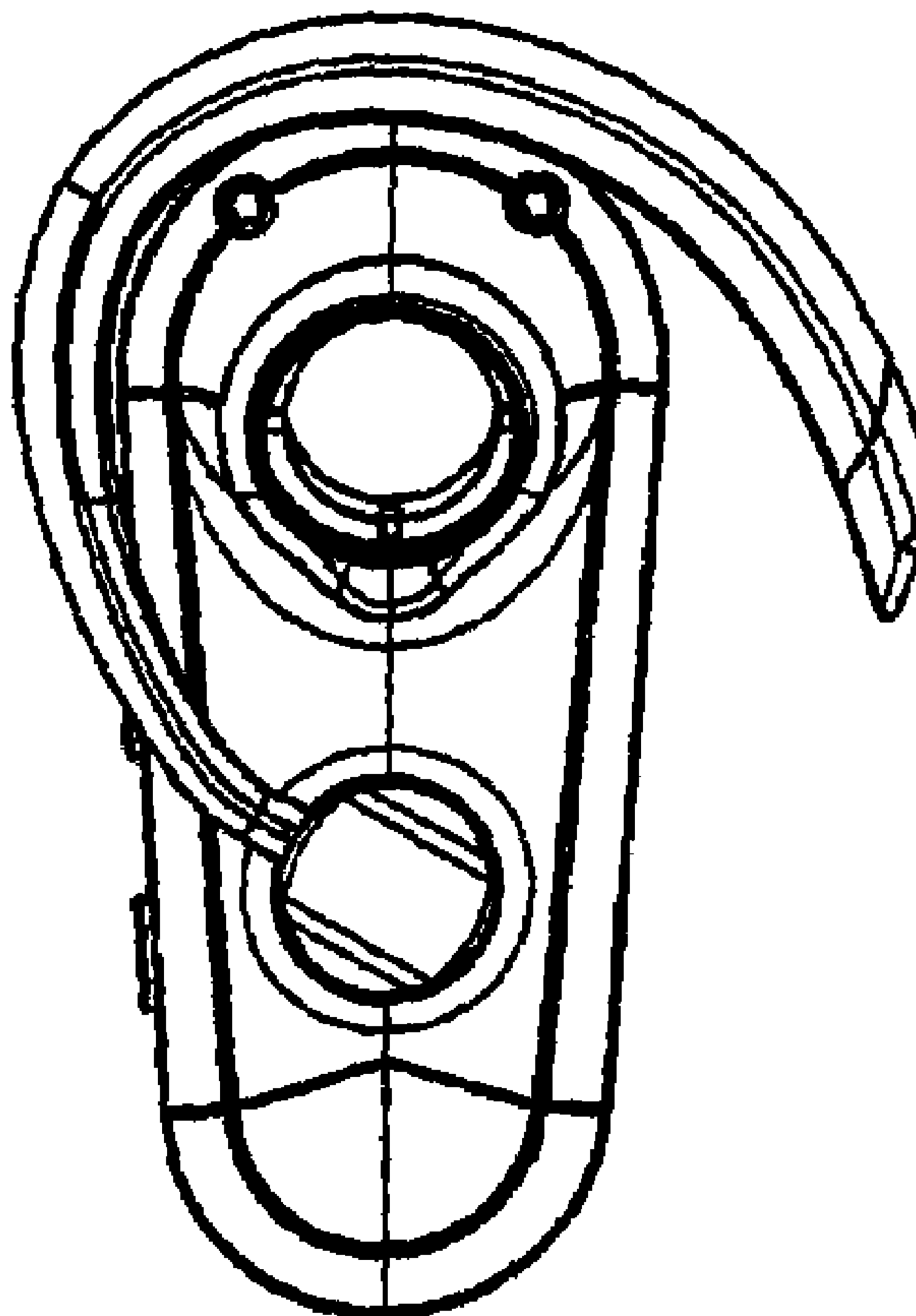
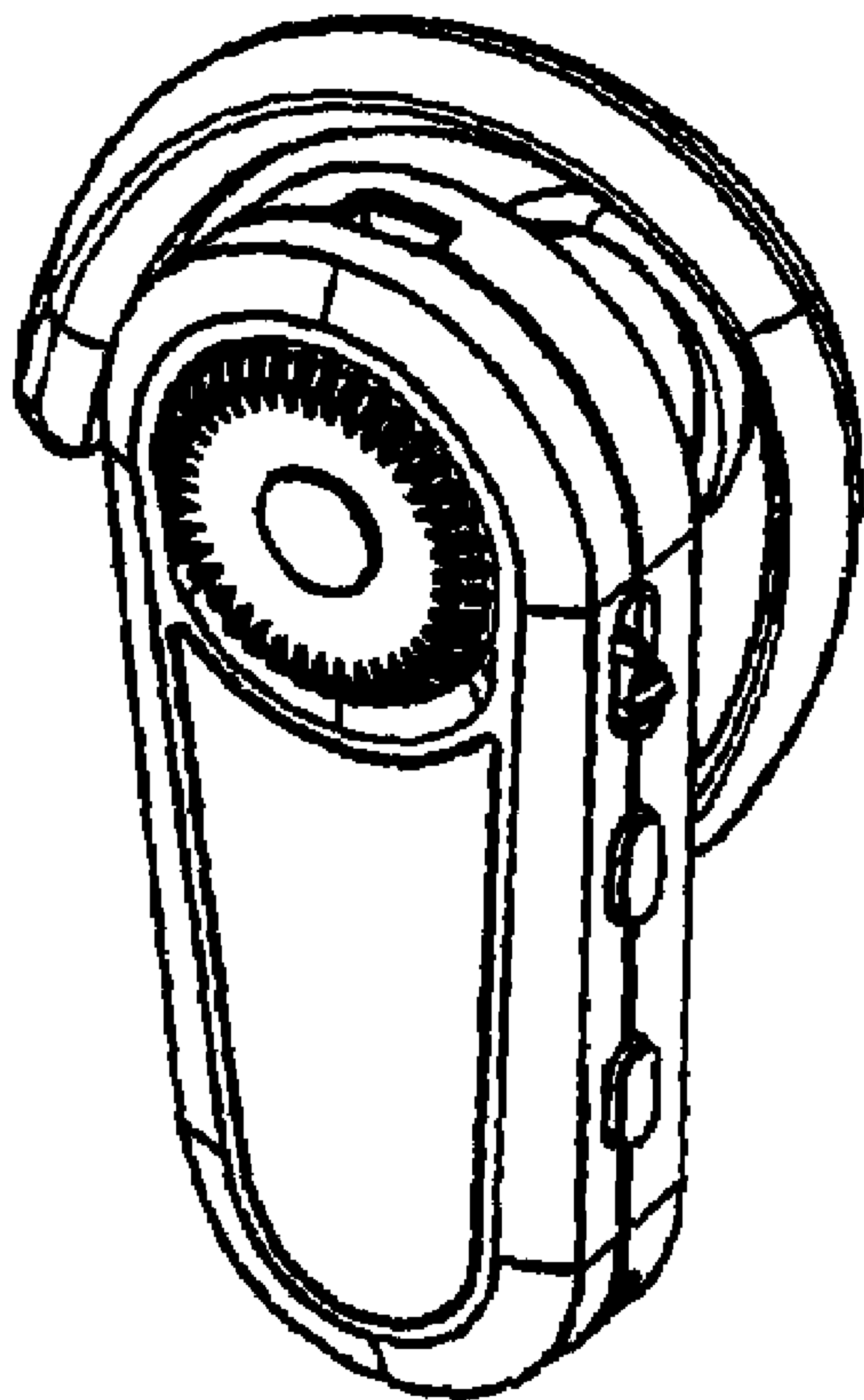
FIG. 4 is a top view thereof.

FIG. 5 is a bottom view thereof.

FIG. 6 is a back view thereof; and,

FIG. 7 is a side view thereof.

1 Claim, 3 Drawing Sheets



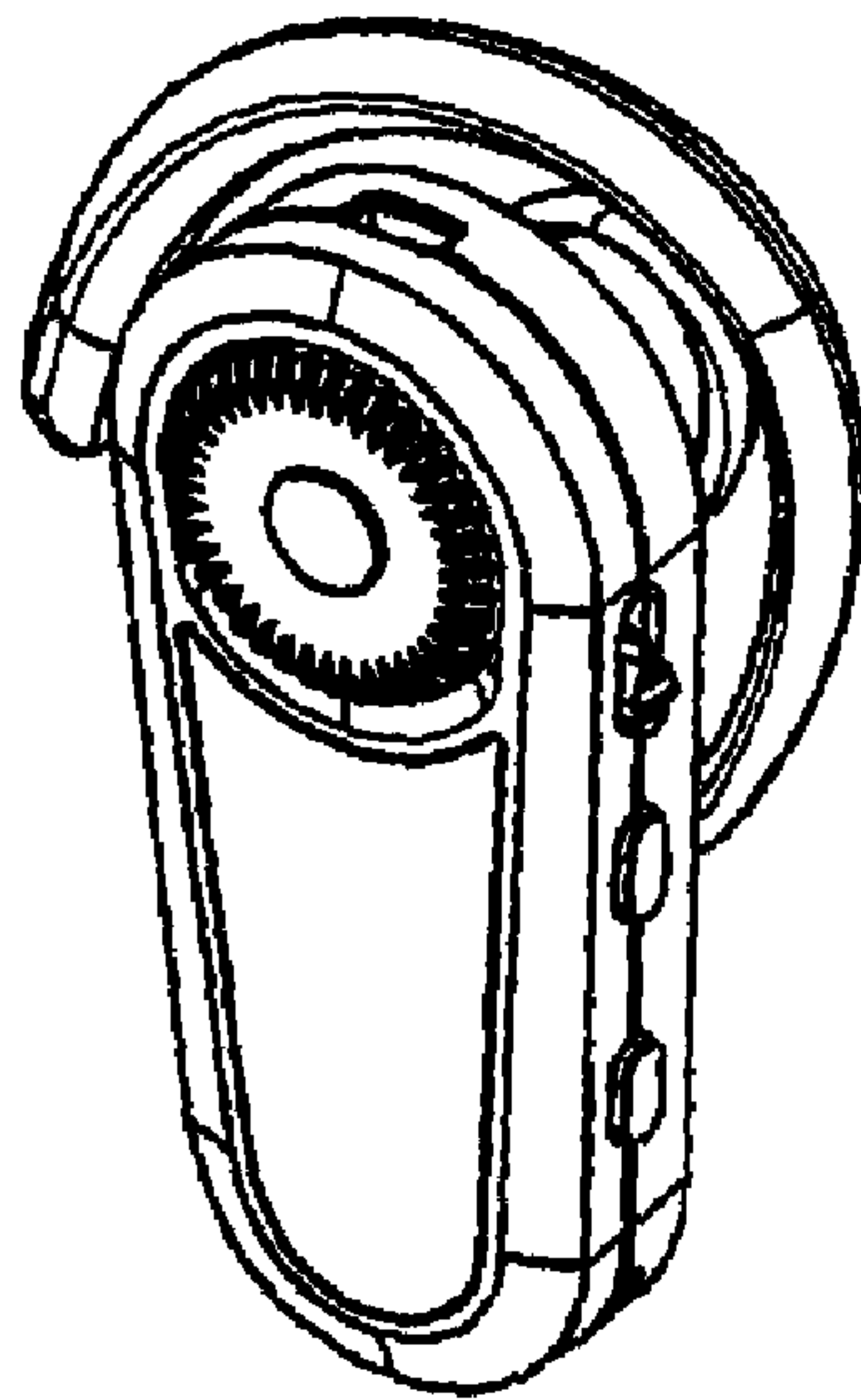


Figure 1

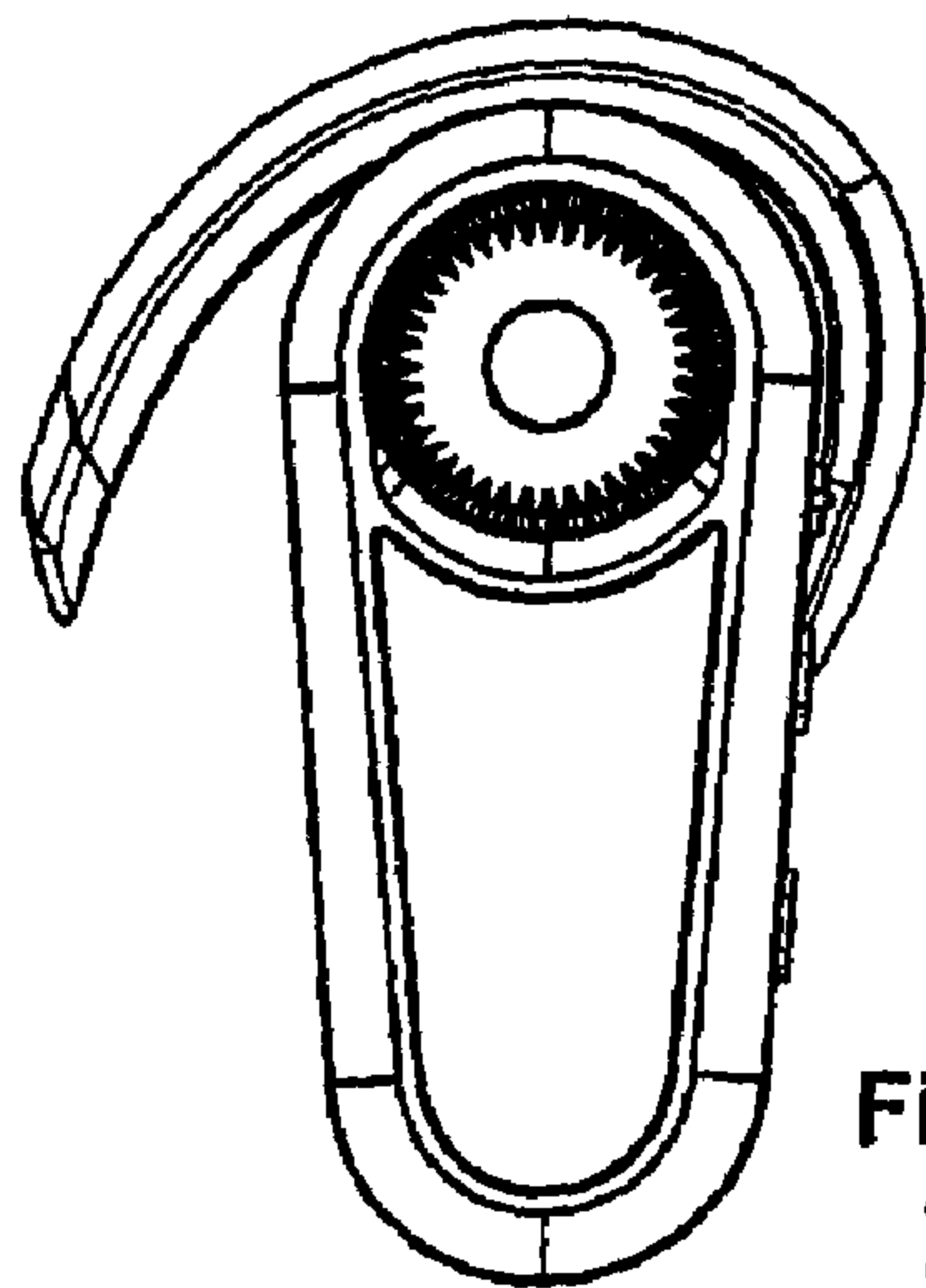


Figure 2

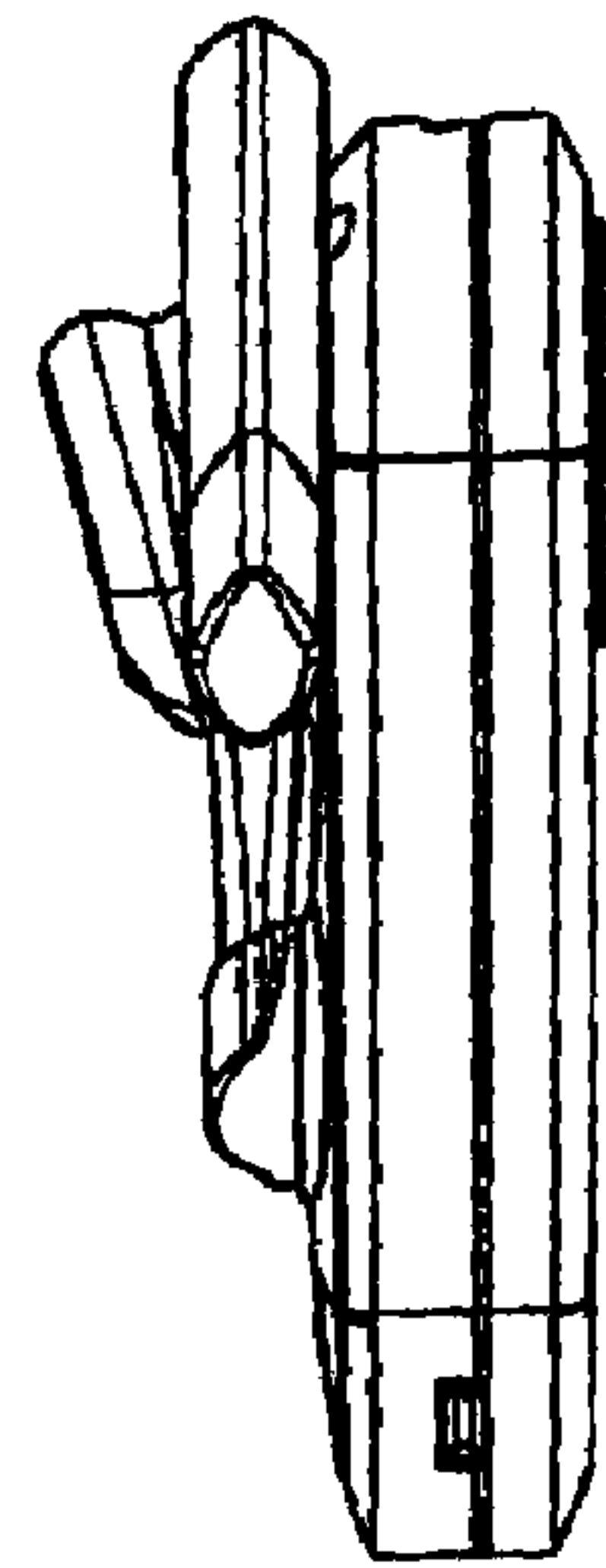


Figure 3

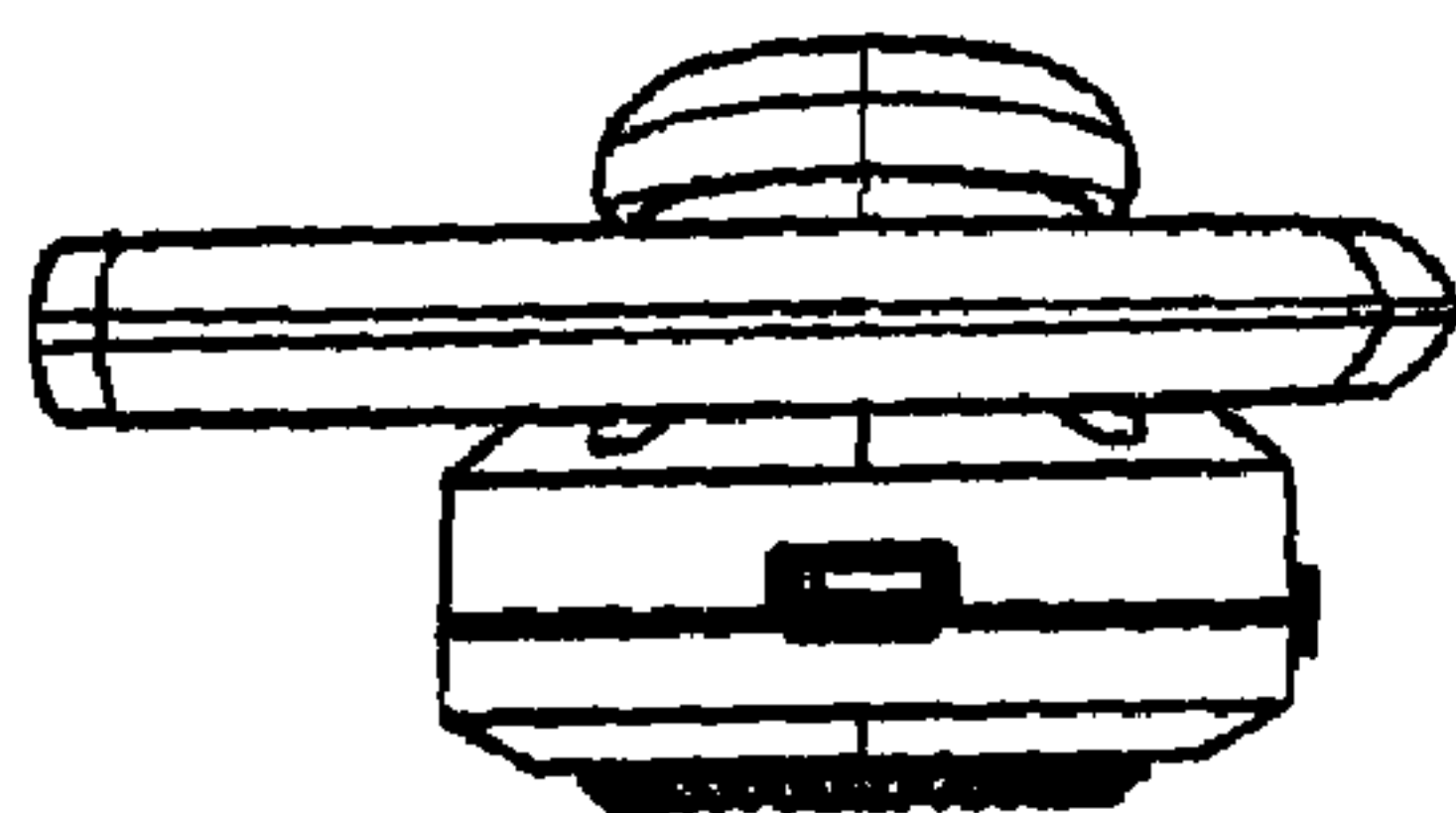


Figure 4

