



US00D573137S

(12) **United States Design Patent**
Polito

(10) **Patent No.:** **US D573,137 S**

(45) **Date of Patent:** **** *Jul. 15, 2008**

(54) **EARLOOP FOR HEADSET**

(76) **Inventor:** **Fred Polito**, 405 Centennial St., Santa Cruz, CA (US) 95060

(*) **Notice:** This patent is subject to a terminal disclaimer.

(**) **Term:** **14 Years**

(21) **Appl. No.:** **29/196,329**

(22) **Filed:** **Dec. 23, 2003**

(51) **LOC (8) Cl.** **14-01**

(52) **U.S. Cl.** **D14/223**

(58) **Field of Classification Search** D14/188, D14/192, 205, 206, 223; 181/129, 130; 379/430, 379/431, 432, 433; 381/380, 381, 370, 376, 381/375, 374, 372, 371, 330; D24/106, 174
See application file for complete search history.

(56) **References Cited**

U.S. PATENT DOCUMENTS

5,412,736	A *	5/1995	Keliliki	381/381
D419,564	S *	1/2000	McDonald et al.	D14/223
6,449,374	B1 *	9/2002	Skulley et al.	381/381
D470,479	S *	2/2003	Skulley et al.	D14/223
6,785,396	B2 *	8/2004	Shirata	381/381
D506,462	S *	6/2005	Han et al.	D14/205
D512,984	S *	12/2005	Ham	D14/205
D518,816	S *	4/2006	Naito et al.	D14/205

D520,496	S *	5/2006	Gwee	D14/223
D521,492	S *	5/2006	Ham	D14/205
D535,975	S *	1/2007	Brennwald	D14/206
D539,266	S *	3/2007	Bentley et al.	D14/205
7,346,180	B2 *	3/2008	Ham	381/381

* cited by examiner

Primary Examiner—Paula A Greene

(74) *Attorney, Agent, or Firm*—Michael D. Rodriguez

(57) **CLAIM**

The ornamental design for an earloop for a headset, as shown and described.

DESCRIPTION

FIG. 1 is an upper rear left perspective view of an earloop for a headset, the broken line drawing of an illustrative headset body including a housing, a speaker and a microphone, is for illustrative purposes only and form no part of the claimed design.

FIG. 2 is an upper front right perspective view of the earloop.

FIG. 3 is a front elevational view of the earloop.

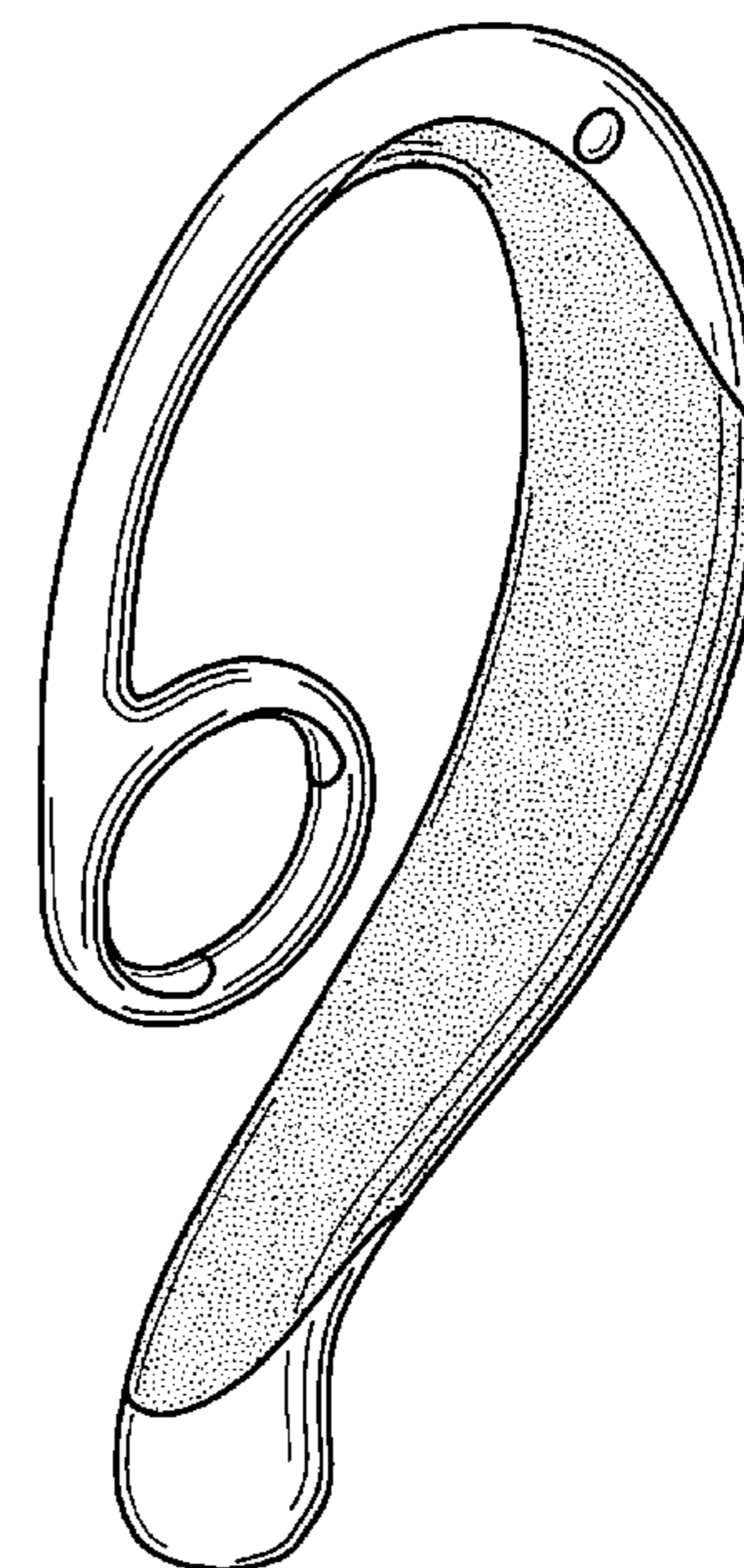
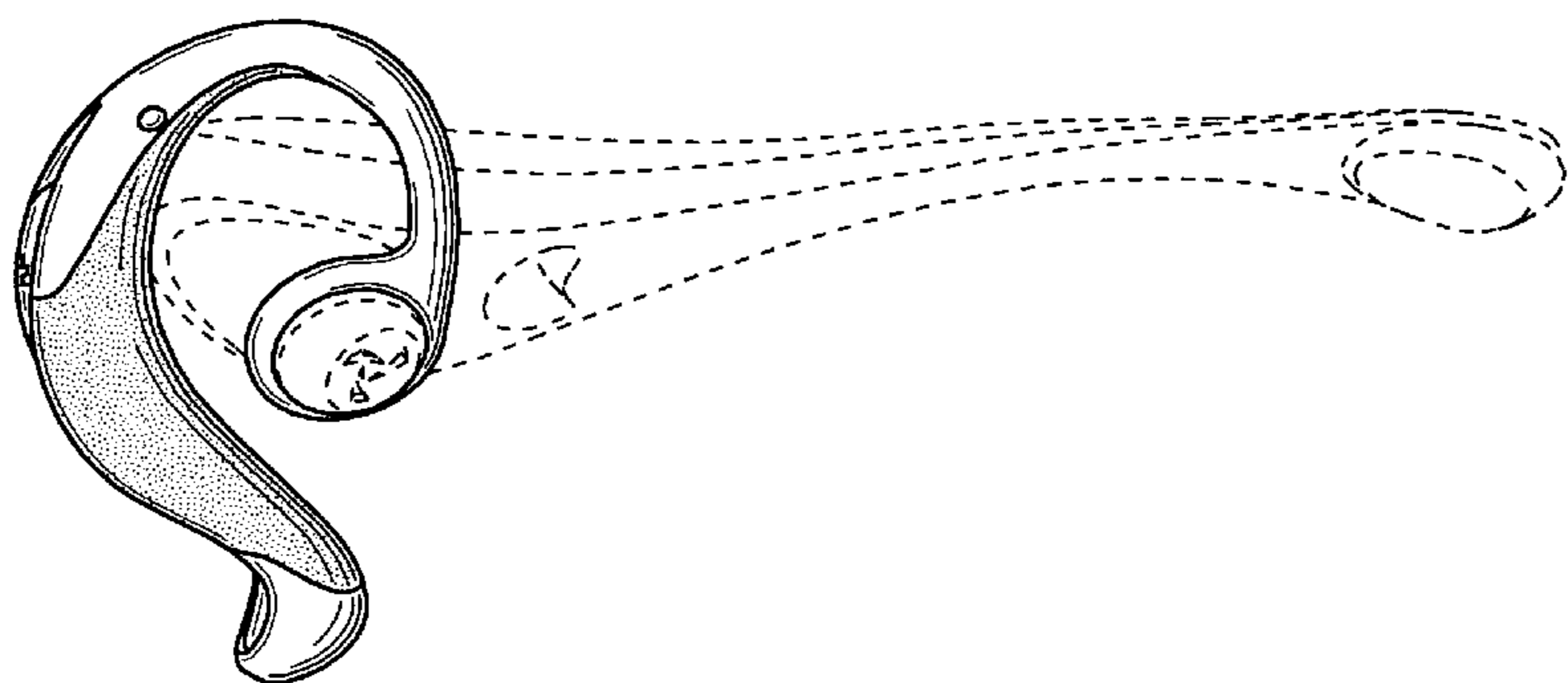
FIG. 4 is a right side elevational view of the earloop, the left side elevational view of the earloop being a mirror image thereof.

FIG. 5 is a rear elevational view of the earloop.

FIG. 6 is a bottom plan view of the earloop; and,

FIG. 7 is a top plan view of the earloop.

1 Claim, 2 Drawing Sheets



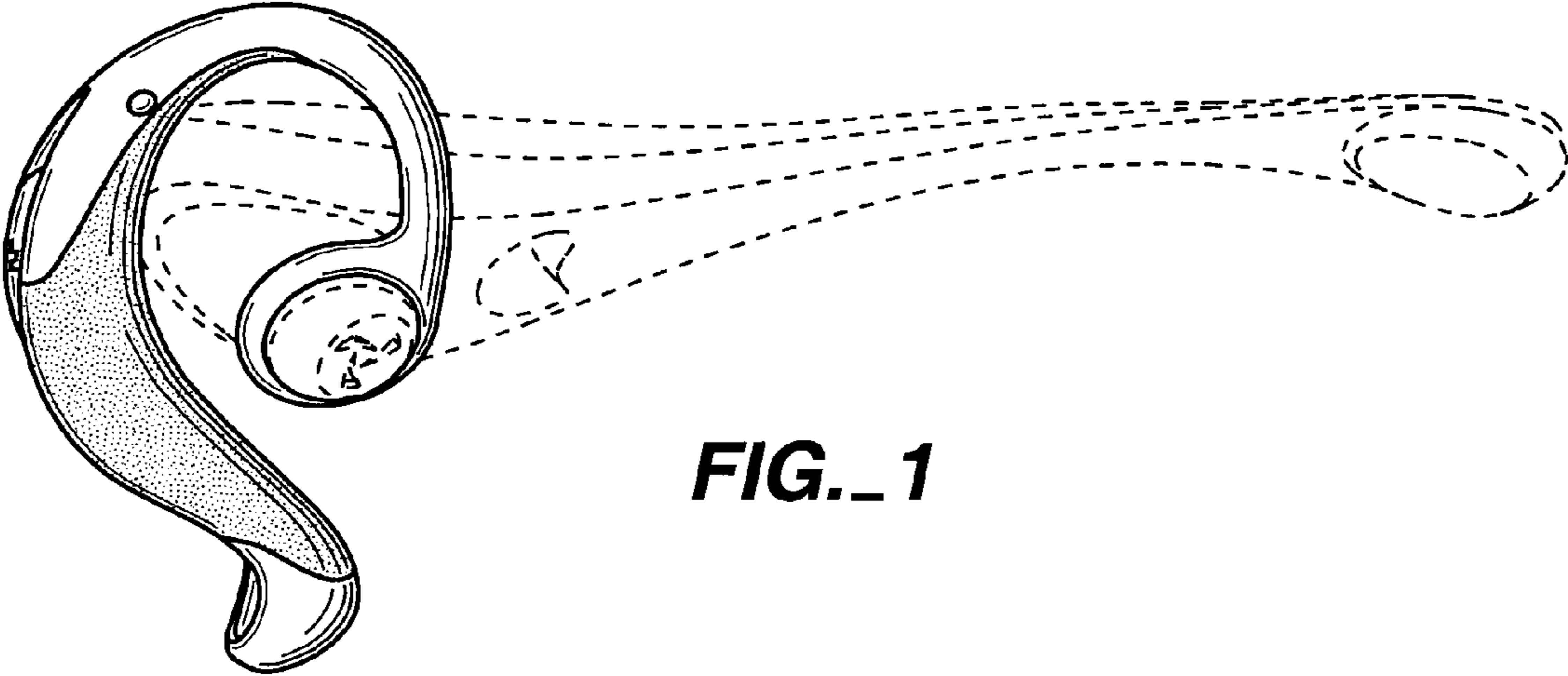


FIG._1

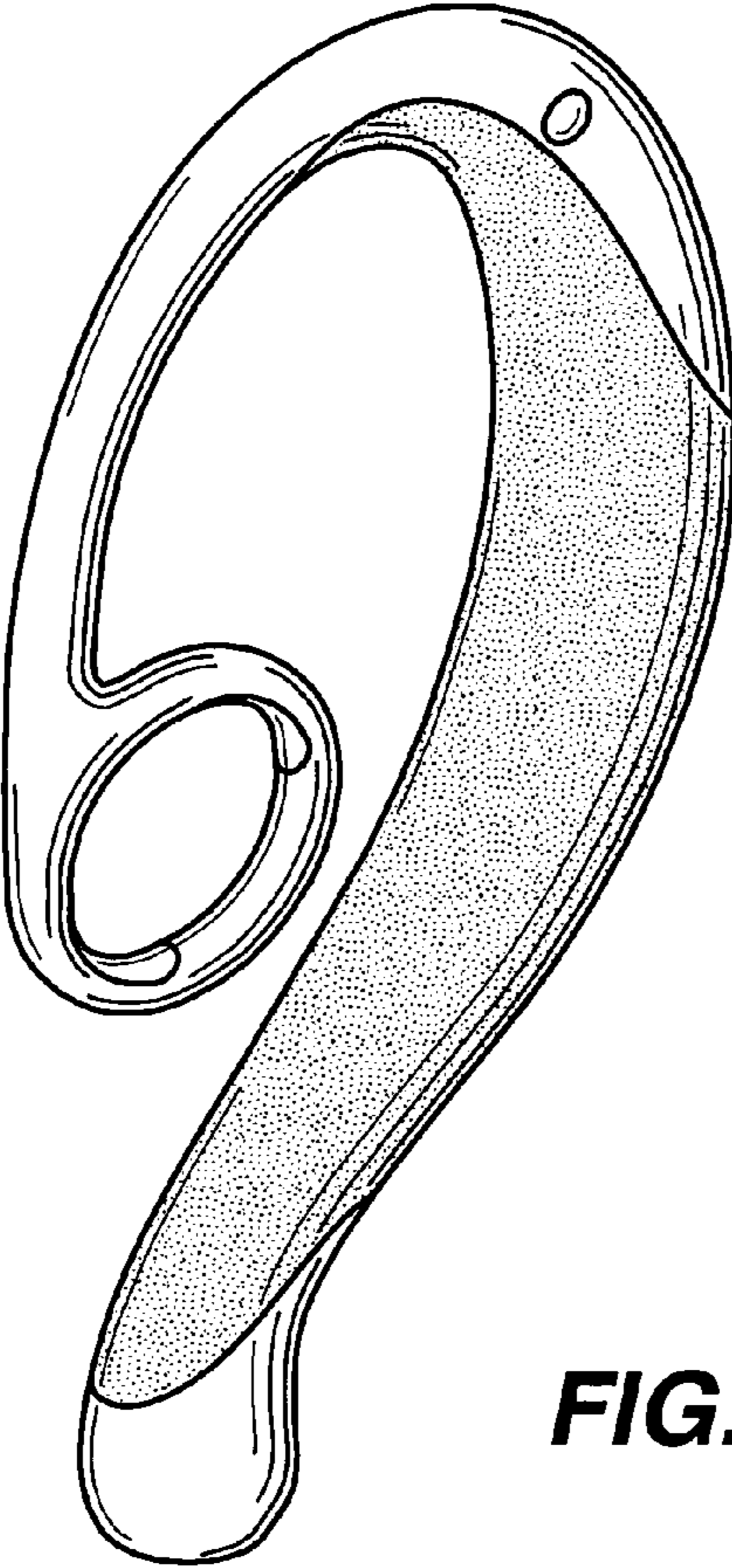


FIG._2

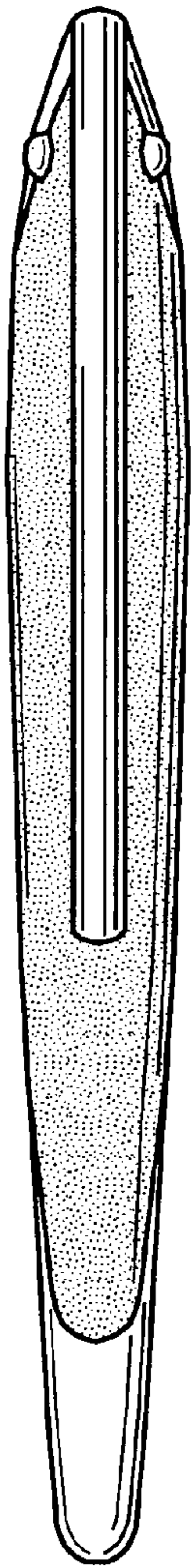


FIG._3

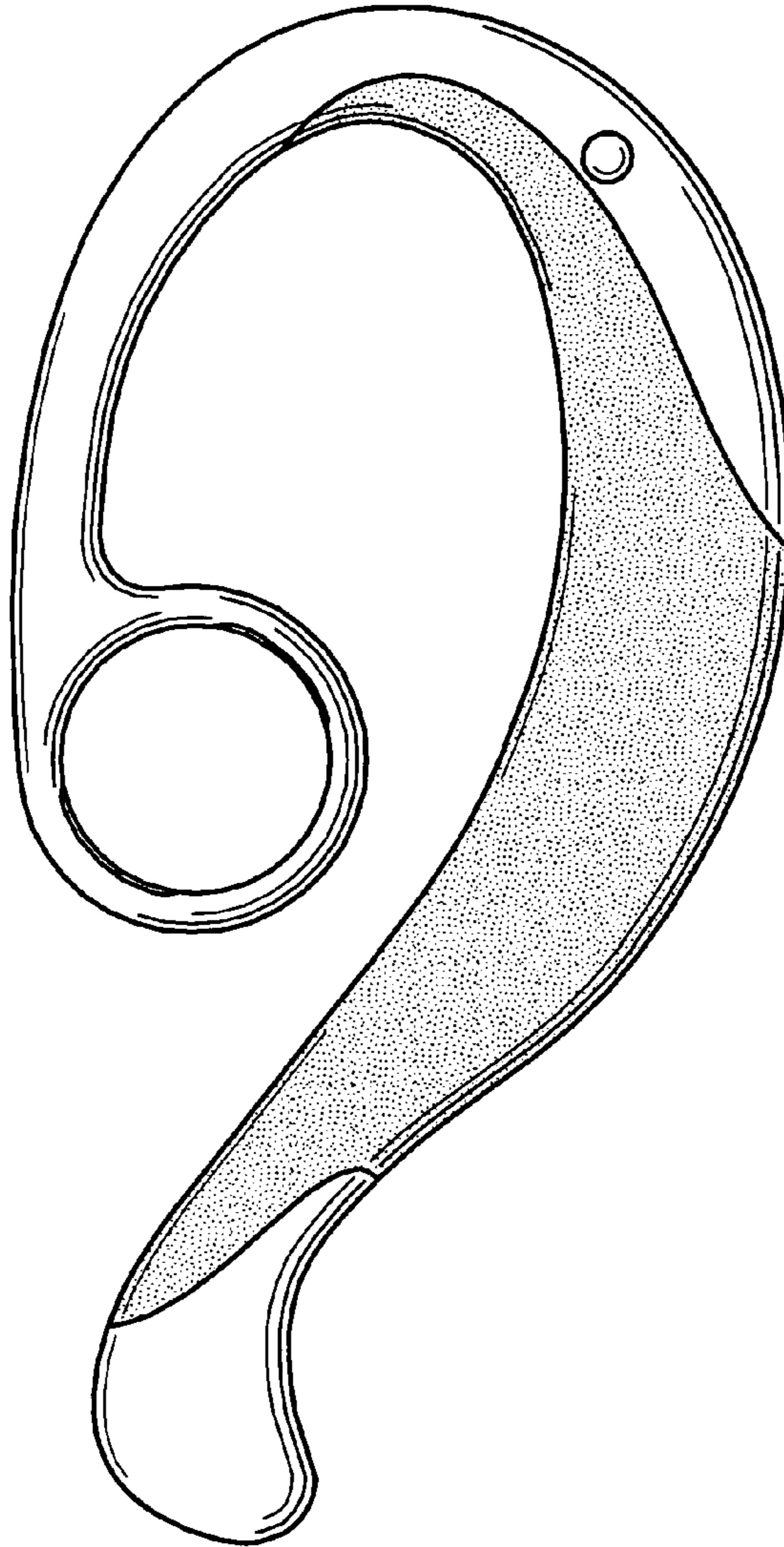


FIG._4

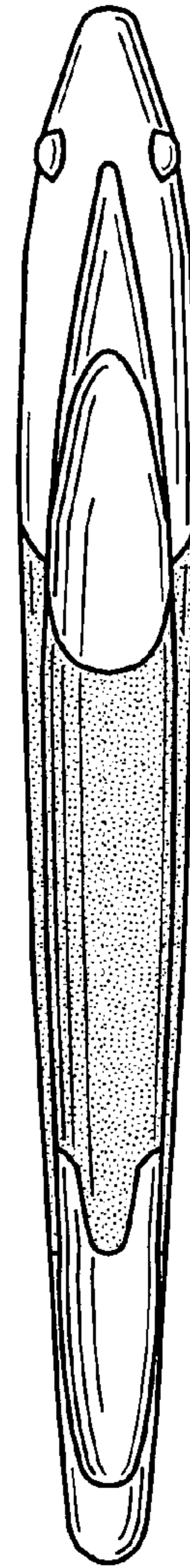


FIG._5

FIG._6

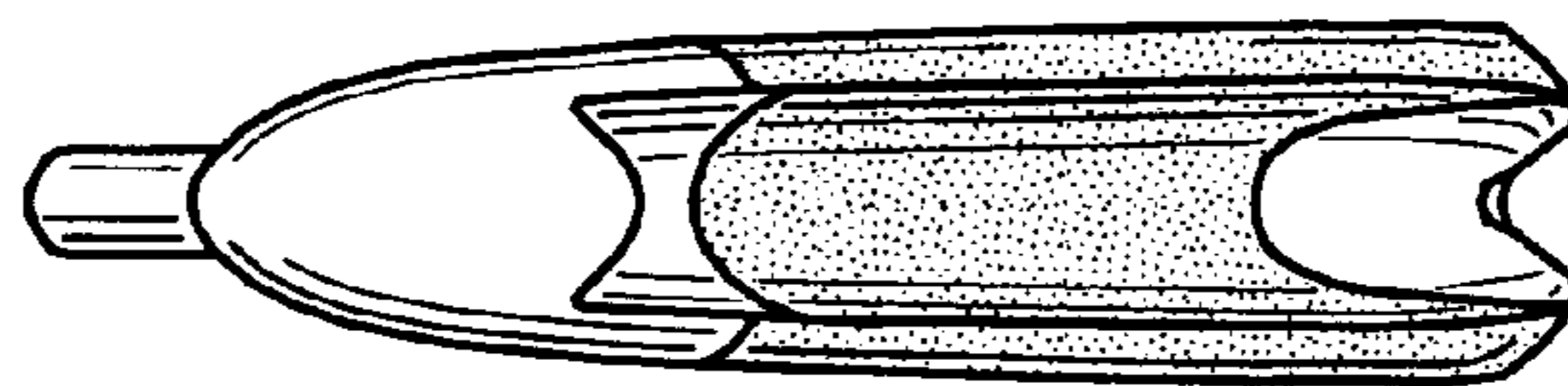


FIG._7

