



US00D573136S

(12) **United States Design Patent**
Lee et al.

(10) **Patent No.:** **US D573,136 S**
(45) **Date of Patent:** **** Jul. 15, 2008**

(54) **PERIPHERAL FOR PORTABLE MUSIC DEVICE**

FOREIGN PATENT DOCUMENTS

HK 0501995.5M001 10/2005

(75) Inventors: **Joseph Onyuen Lee**, Los Angeles, CA (US); **Liao Xiang Nong**, Dongguan (CN)

* cited by examiner

(73) Assignee: **Portable Sound Laboratories, Inc.**, Chatsworth, CA (US)

Primary Examiner—Stella M. Reid

Assistant Examiner—Keli L Acker

(74) *Attorney, Agent, or Firm*—Blakely, Sokoloff, Taylor & Zafman, LLP

(**) Term: **14 Years**

(57) **CLAIM**

(21) Appl. No.: **29/249,207**

The ornamental design for a peripheral for a portable media device, as shown and described.

(22) Filed: **Sep. 26, 2006**

(51) **LOC (8) Cl.** **14-03**

DESCRIPTION

(52) **U.S. Cl.** **D14/217; D14/204; D3/218**

A portion of the disclosure of this patent document contains material which is subject to copyright protection. This patent document may show and/or describe matter which is or may become trade dress of the owner. The copyright and trade dress owner has no objection to the facsimile reproduction by any one of the patent disclosure as it appears in the Patent and Trademark Office patent files or records, but otherwise reserves all copyright and trade dress rights whatsoever.

(58) **Field of Classification Search** D14/168, D14/169, 172, 180, 184, 188, 189, 192–195, D14/197, 198, 204, 210, 212, 214, 217, 221, D14/265, 299; D3/215–218, 269, 273, 274, D3/276, 289, 301; 181/151; 330/1 R, 3, 330/4, 250; 381/86, 120; 455/90.1–90.3, 455/95, 128, 347, 351

See application file for complete search history.

The nature and intended use is for use as a handheld, self contained, portable, and fashionable, amplifier sound system designed for a portable music device.

(56) **References Cited**

U.S. PATENT DOCUMENTS

D324,388 S *	3/1992	Pulio et al.	D14/215
D373,679 S *	9/1996	Milby	D3/301
D407,432 S *	3/1999	Tell	D19/26
D495,185 S *	8/2004	Palmer	D6/632
D500,923 S *	1/2005	Gonzalez et al.	D3/301
7,039,210 B2 *	5/2006	Holland	381/334
D527,182 S *	8/2006	Ham	D3/294
7,177,420 B2 *	2/2007	Carter	379/447
D552,184 S *	10/2007	Hussaini et al.	D21/333
D554,105 S *	10/2007	Langberg et al.	D14/214
D556,188 S *	11/2007	Ang et al.	D14/214

FIG. 1 is a perspective view of a peripheral.

FIG. 2 is a front elevational view of the peripheral.

FIG. 3 is a left side elevational view of the peripheral.

FIG. 4 is a right side elevational view of the peripheral.

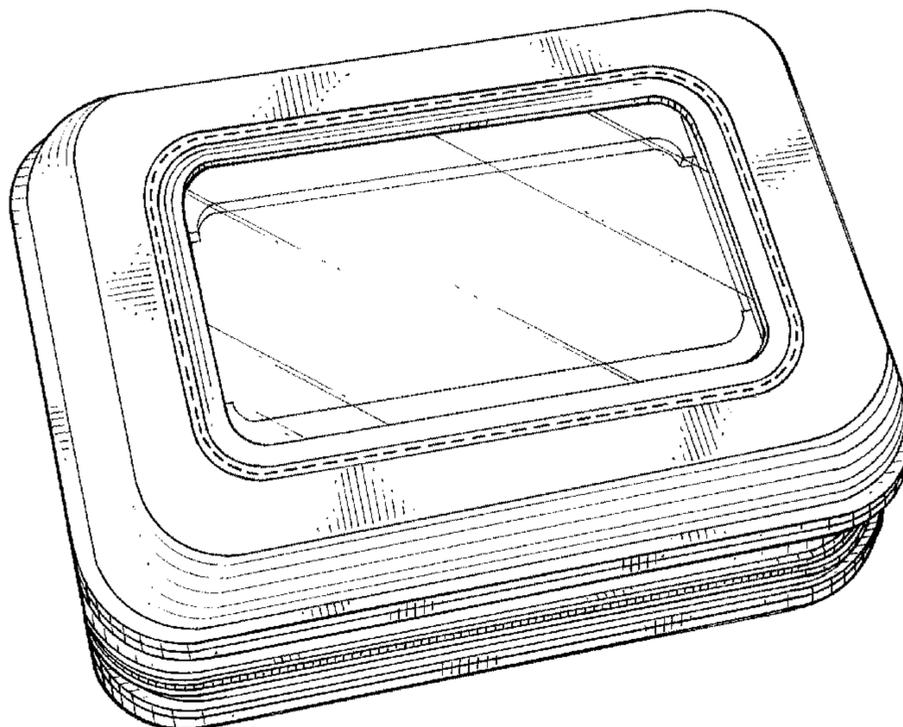
FIG. 5 is a rear elevational view of the peripheral.

FIG. 6 is a top plan view of the peripheral; and,

FIG. 7 is a bottom plan view of the peripheral.

The dashed broken lines shown on the surface and body of the claimed design represent top stitching.

1 Claim, 7 Drawing Sheets



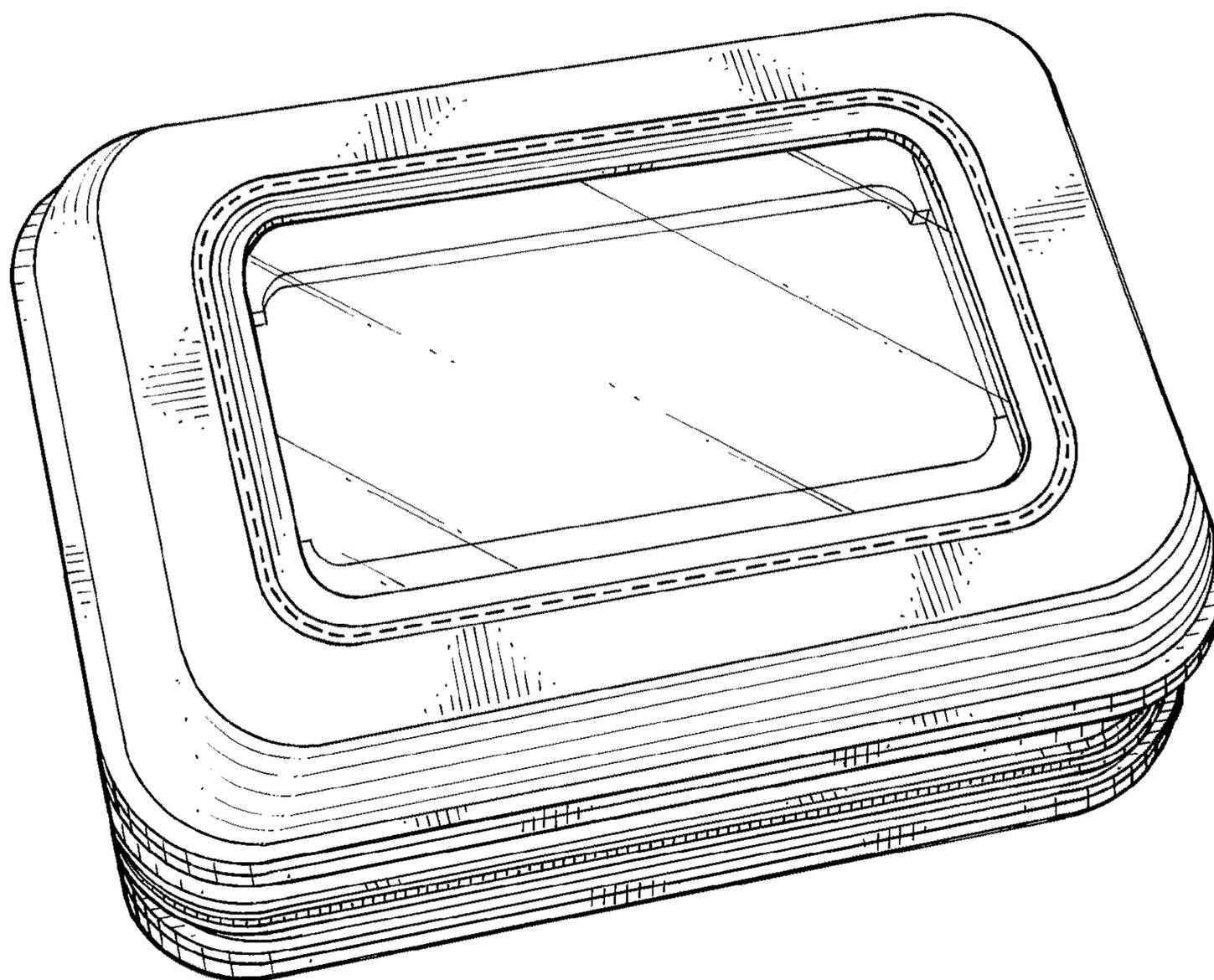


Fig. 1.

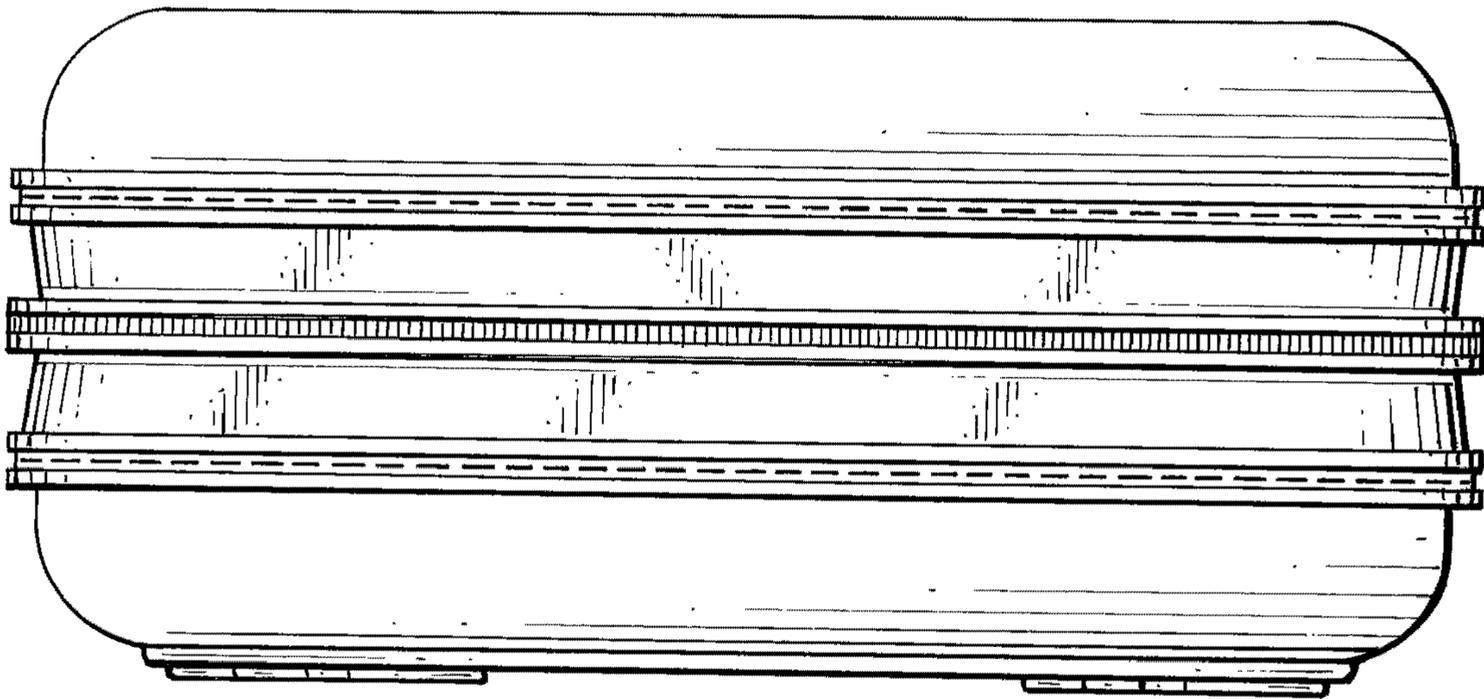


Fig. 2.

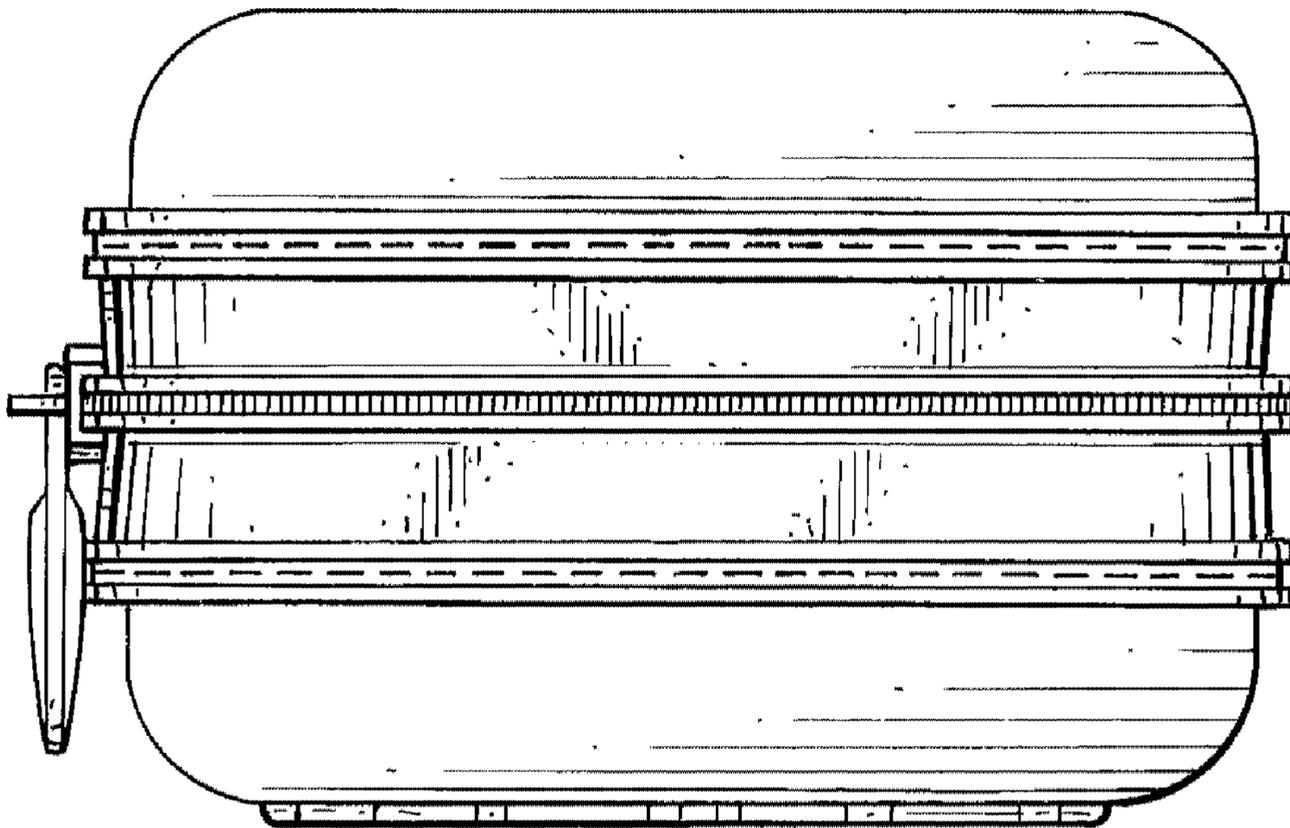


Fig. 3.

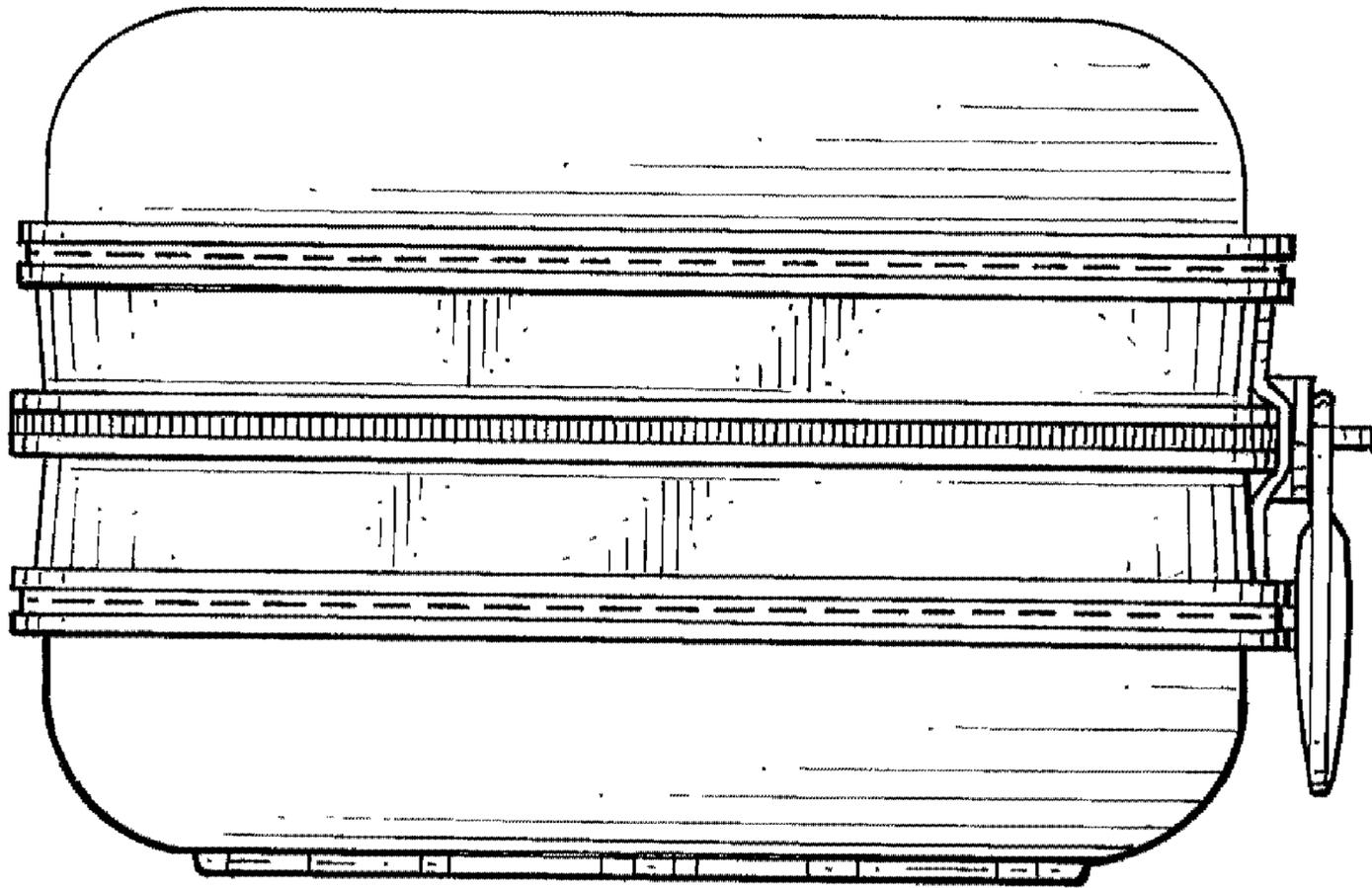


Fig. 4.

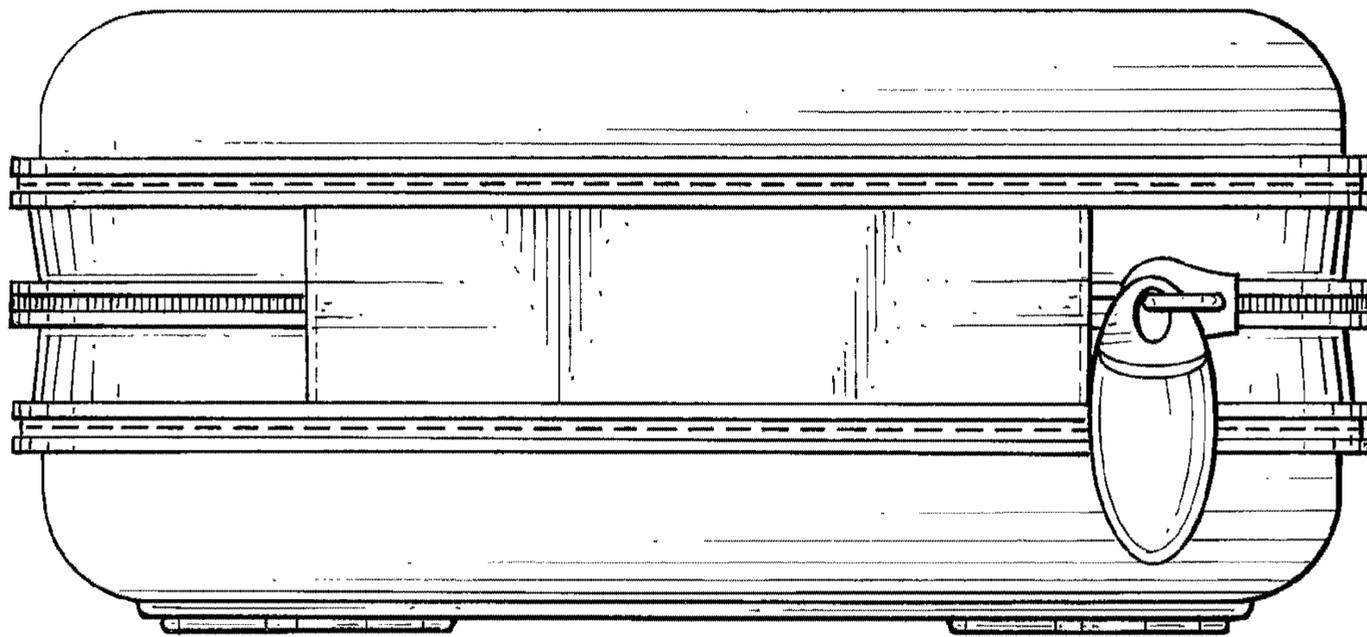


Fig. 5.

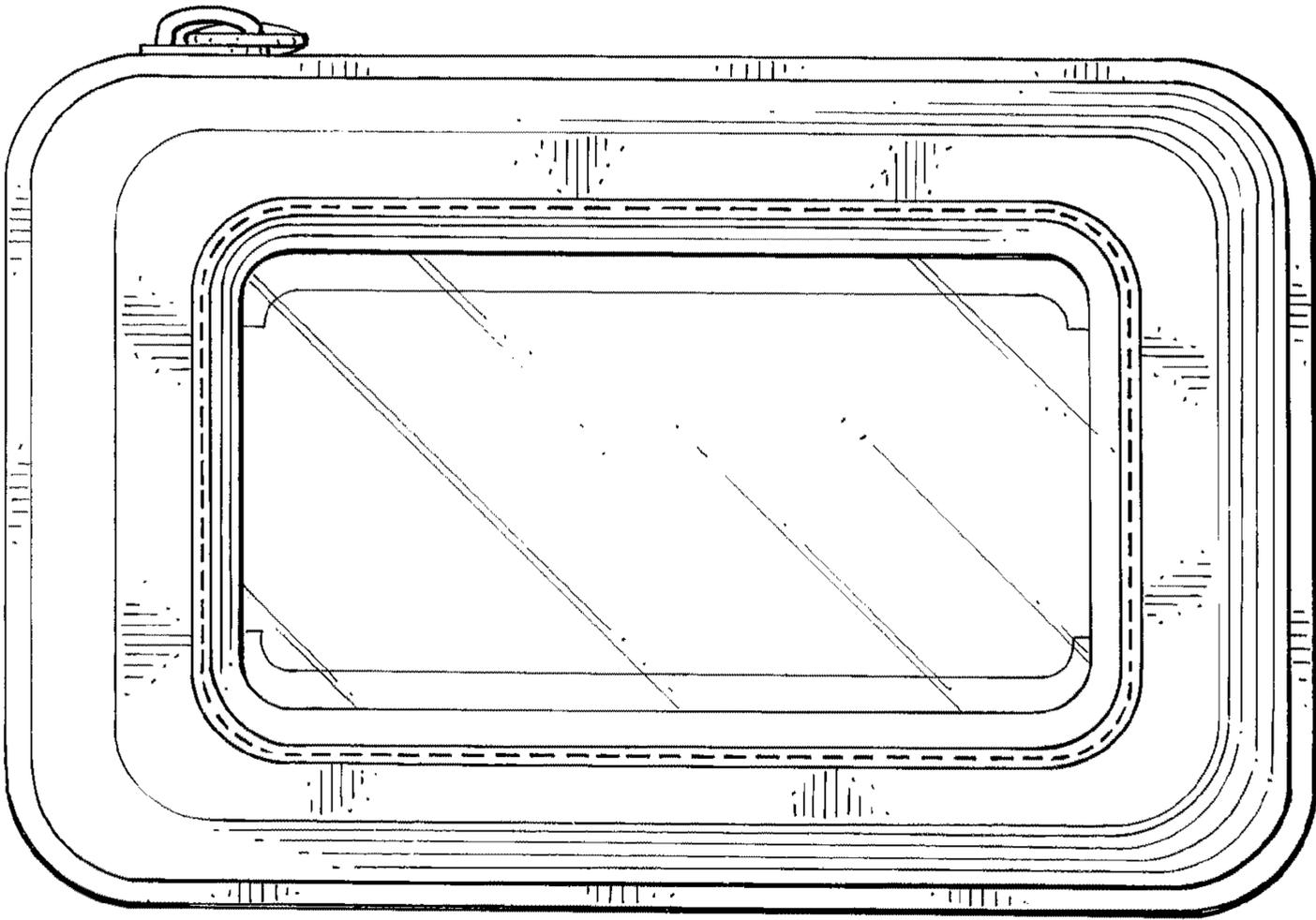


Fig. 6.

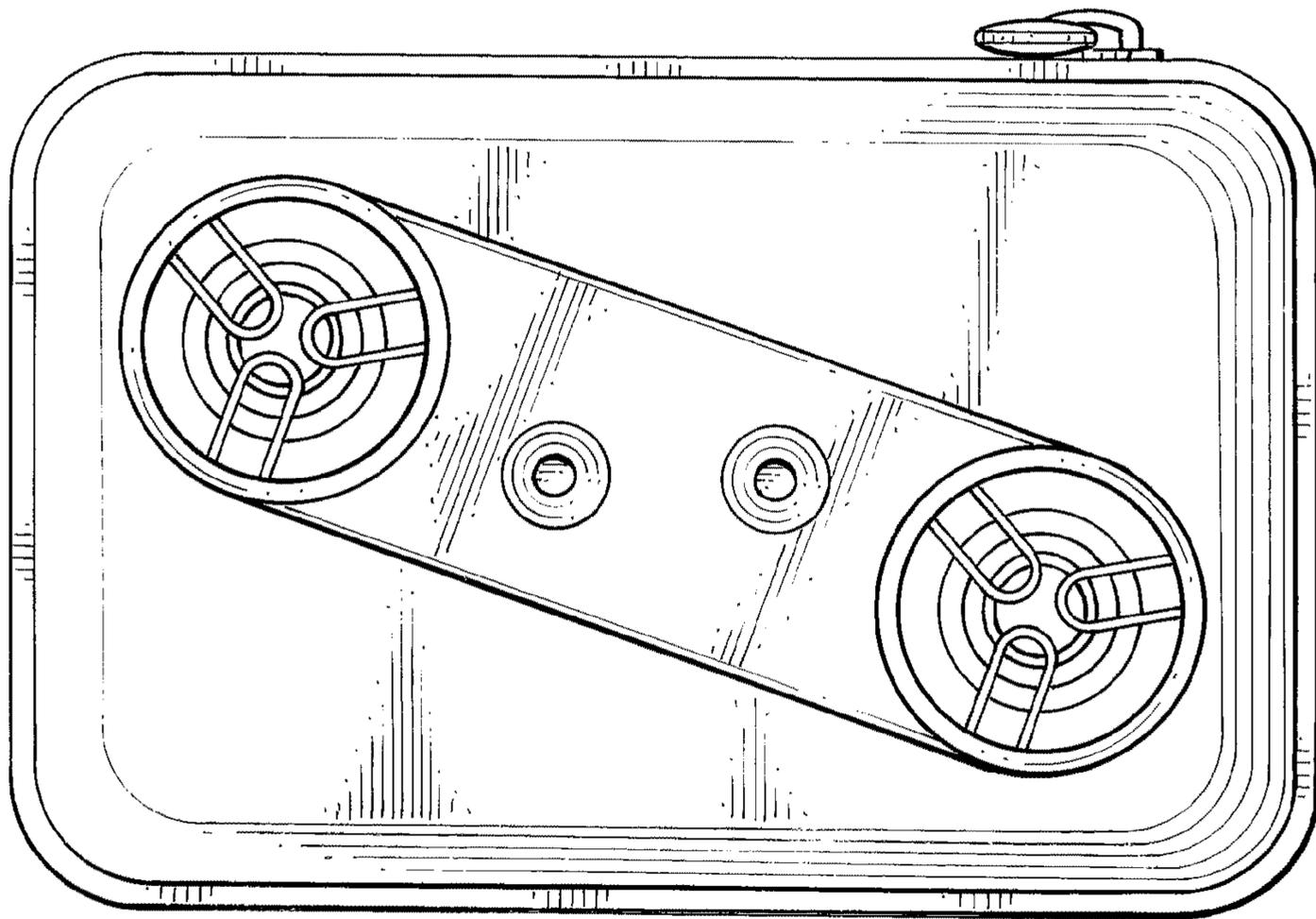


Fig. 7.