



US00D573135S

(12) **United States Design Patent**
Laituri et al.

(10) **Patent No.:** **US D573,135 S**
(45) **Date of Patent:** **** Jul. 15, 2008**

(54) **WIRELESS SPEAKER SYSTEM**

(75) Inventors: **David Laituri**, Wayland, MA (US);
James D. TerMeer, Concord, NH (US)

(73) Assignee: **Brookstone Purchasing, Inc.**,
Merrimack, NH (US)

(**) Term: **14 Years**

(21) Appl. No.: **29/286,264**

(22) Filed: **Apr. 30, 2007**

(51) **LOC (8) Cl.** **14-01**

(52) **U.S. Cl.** **D14/216; D14/168**

(58) **Field of Classification Search** D14/204,
D14/207, 210–216; 181/143–144, 147–148,
181/150–153, 157, 198–199; 381/300–303,
381/306, 332–333, 336, 345, 361–364, 386–388
See application file for complete search history.

(56) **References Cited**

U.S. PATENT DOCUMENTS

D186,892 S * 12/1959 Wilber D14/211
4,953,223 A * 8/1990 Householder 381/182

D430,142 S * 8/2000 Kuo et al. D14/216
D466,887 S * 12/2002 Lewis D14/216
D510,926 S * 10/2005 Jerome D14/156
D526,644 S * 8/2006 Breit D14/216

* cited by examiner

Primary Examiner—Nanda Bondade

(57) **CLAIM**

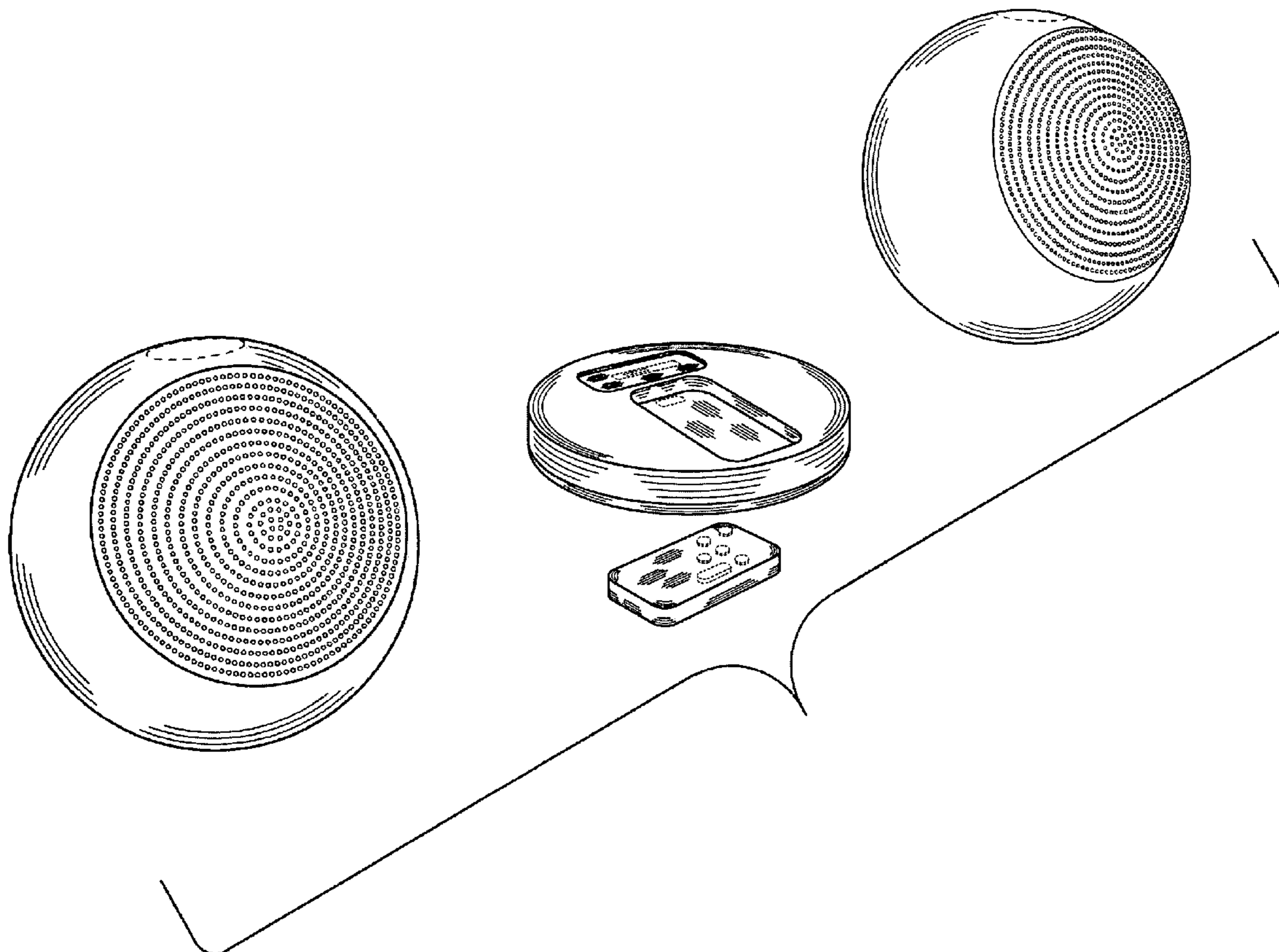
The ornamental design for a wireless speaker system, as shown and described.

DESCRIPTION

FIG. 1 is a perspective view of a wireless speaker system;
FIG. 2 is a front view thereof;
FIG. 3 is a rear view thereof;
FIG. 4 is a right side view thereof; and,
FIG. 5 is a top view thereof.

The broken line showing on the drawing disclosure is for illustrative purposes only and forms no part of the claimed design.

1 Claim, 5 Drawing Sheets



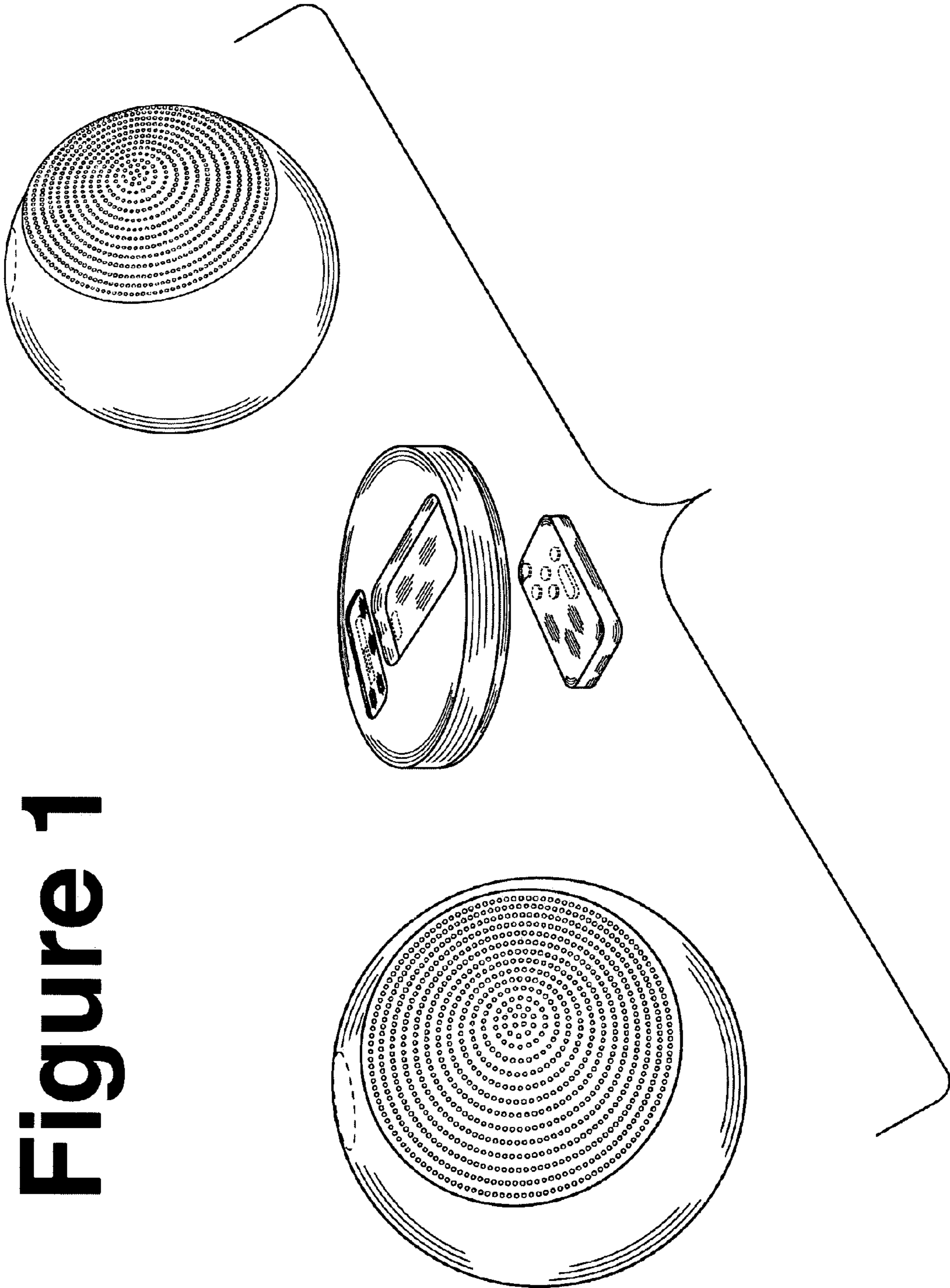


Figure 1

Figure 2

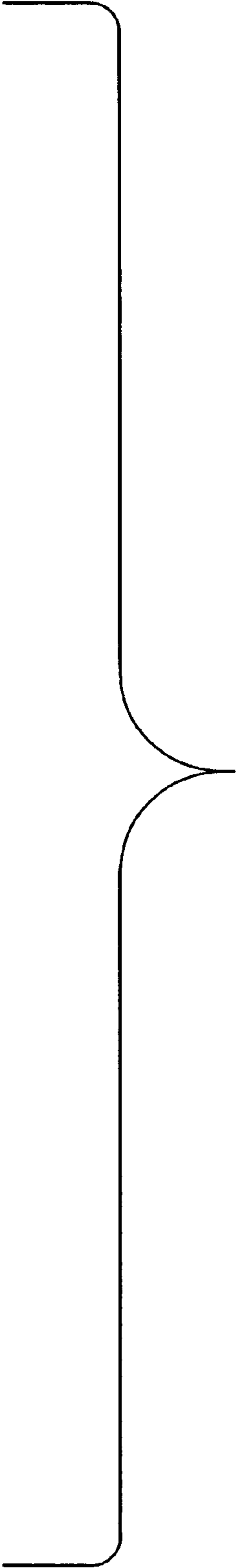
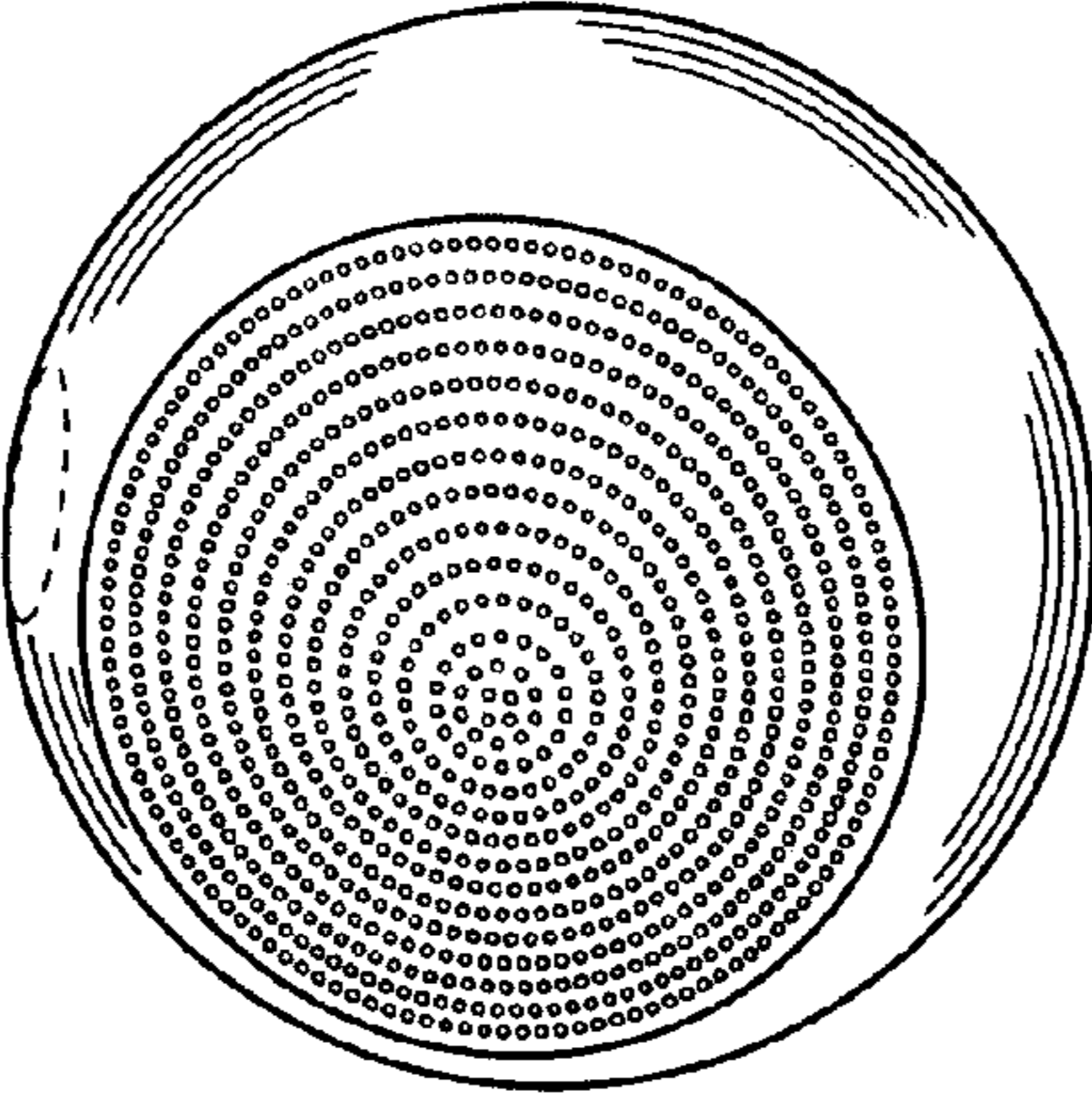
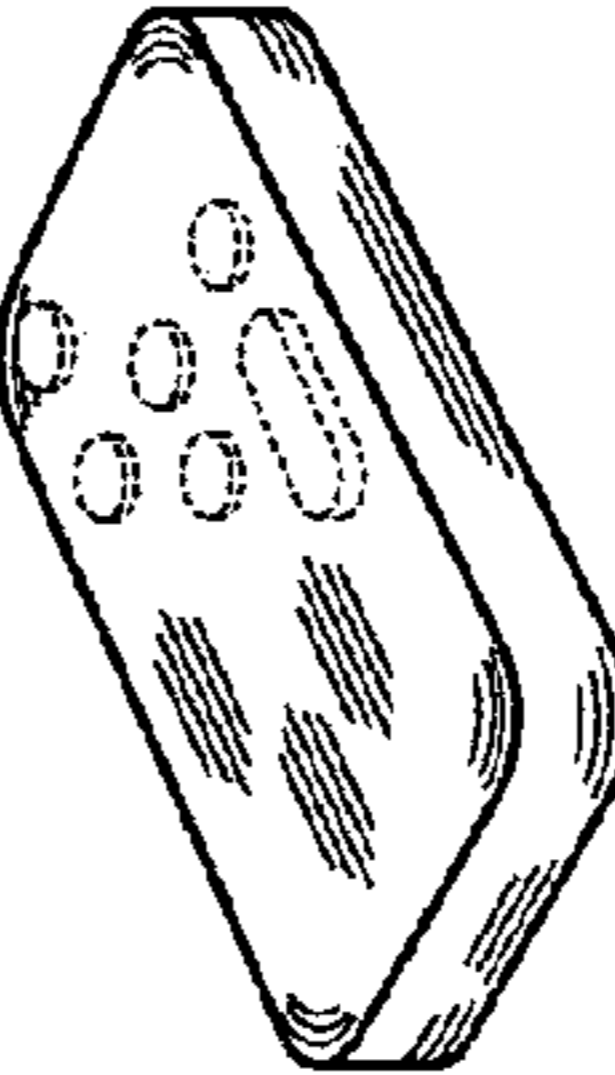
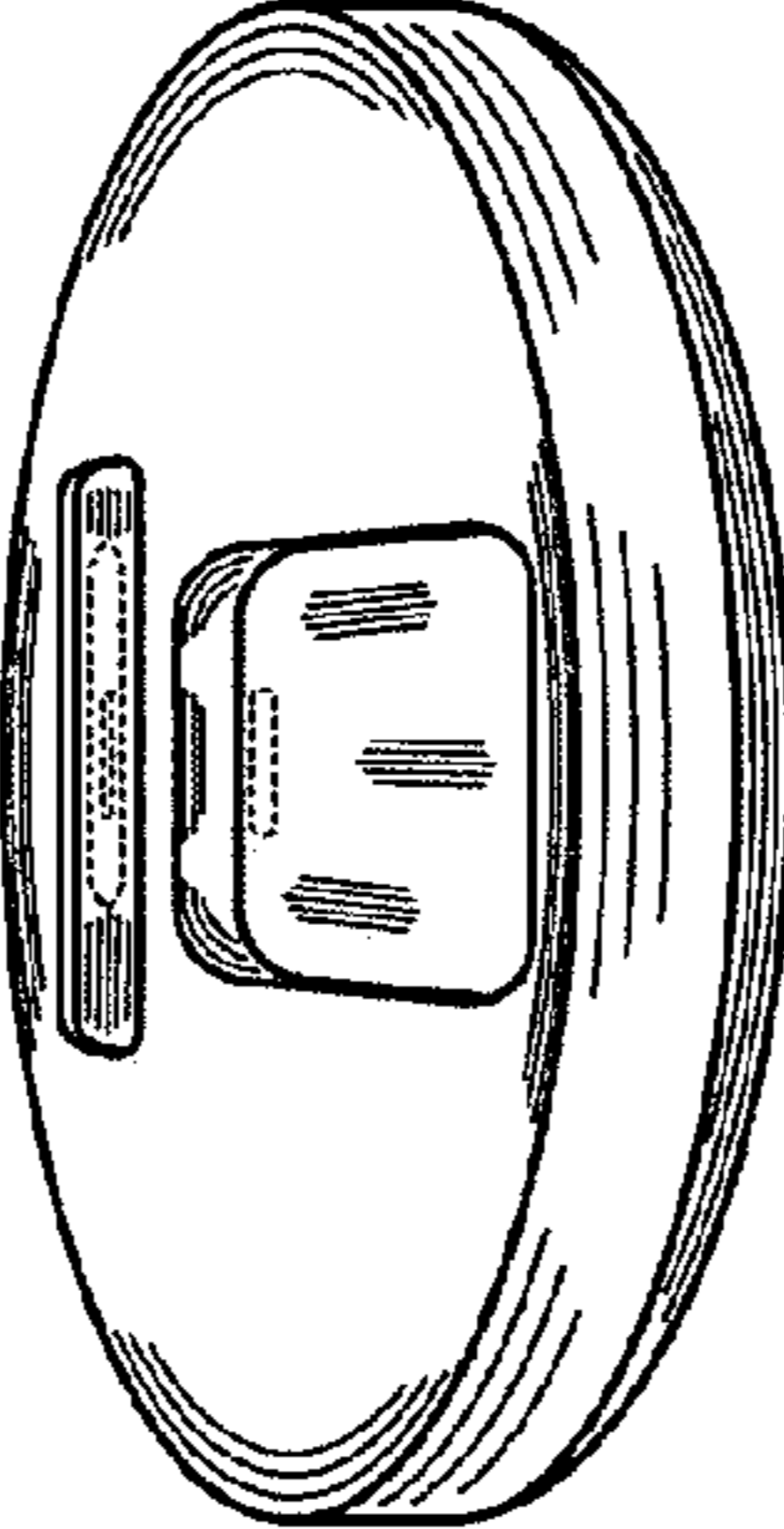
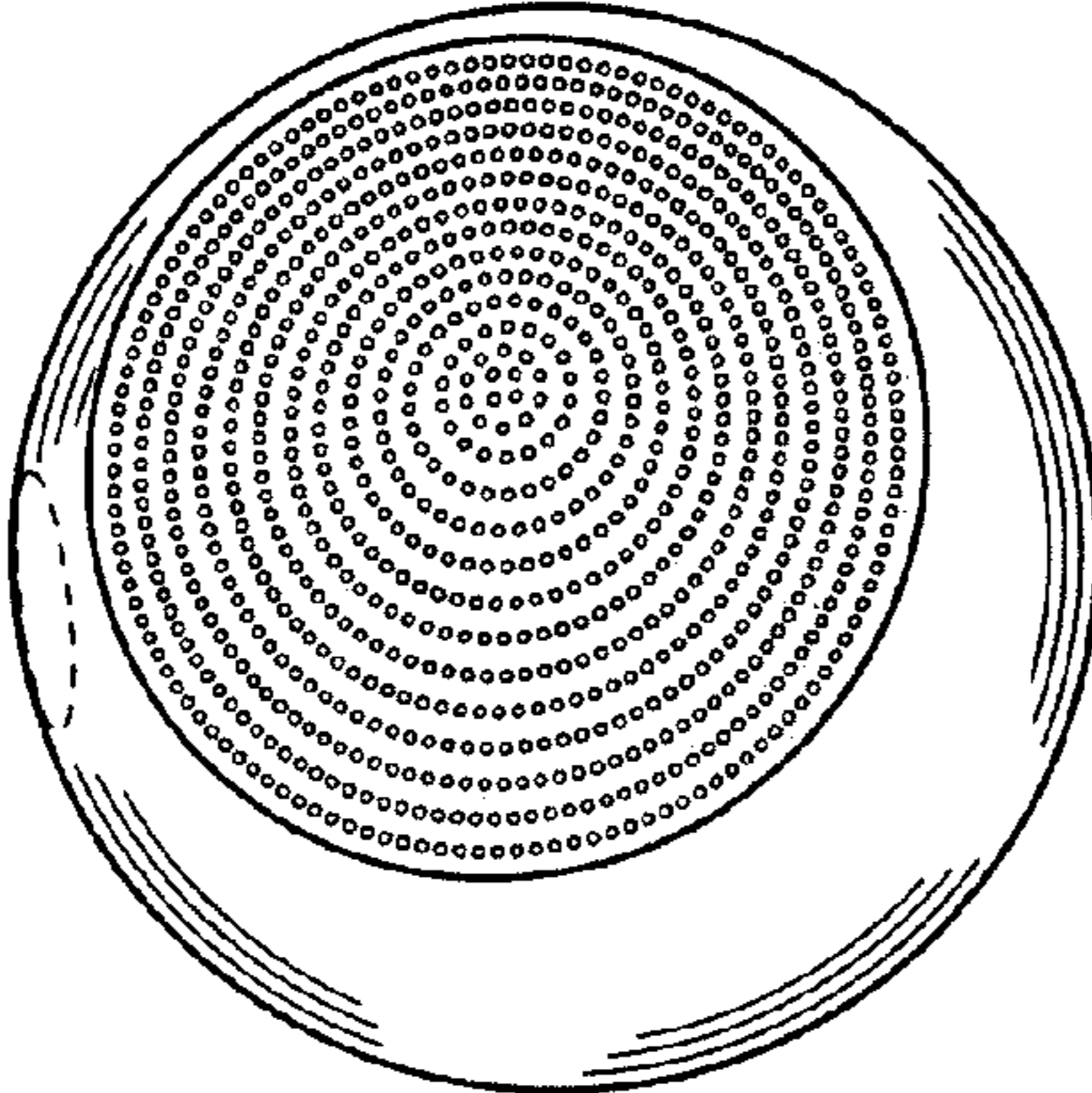
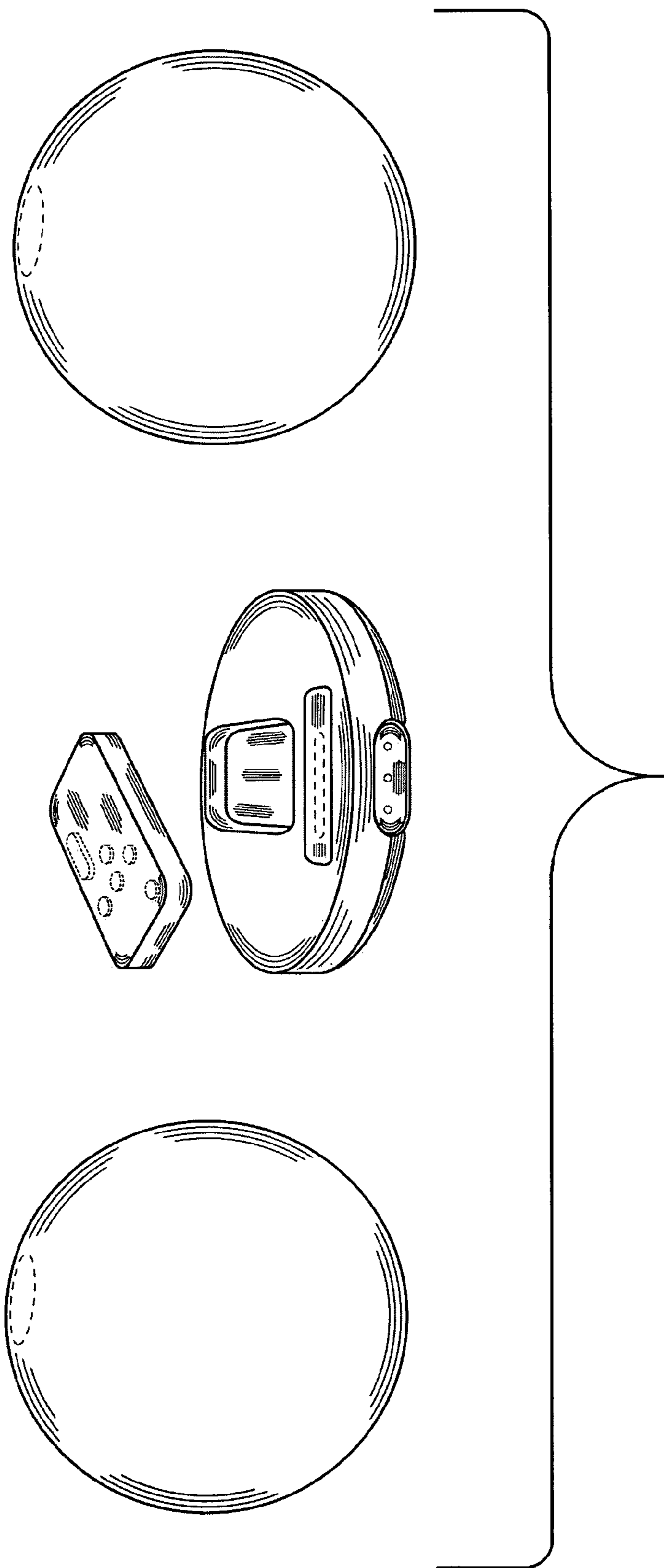


Figure 3



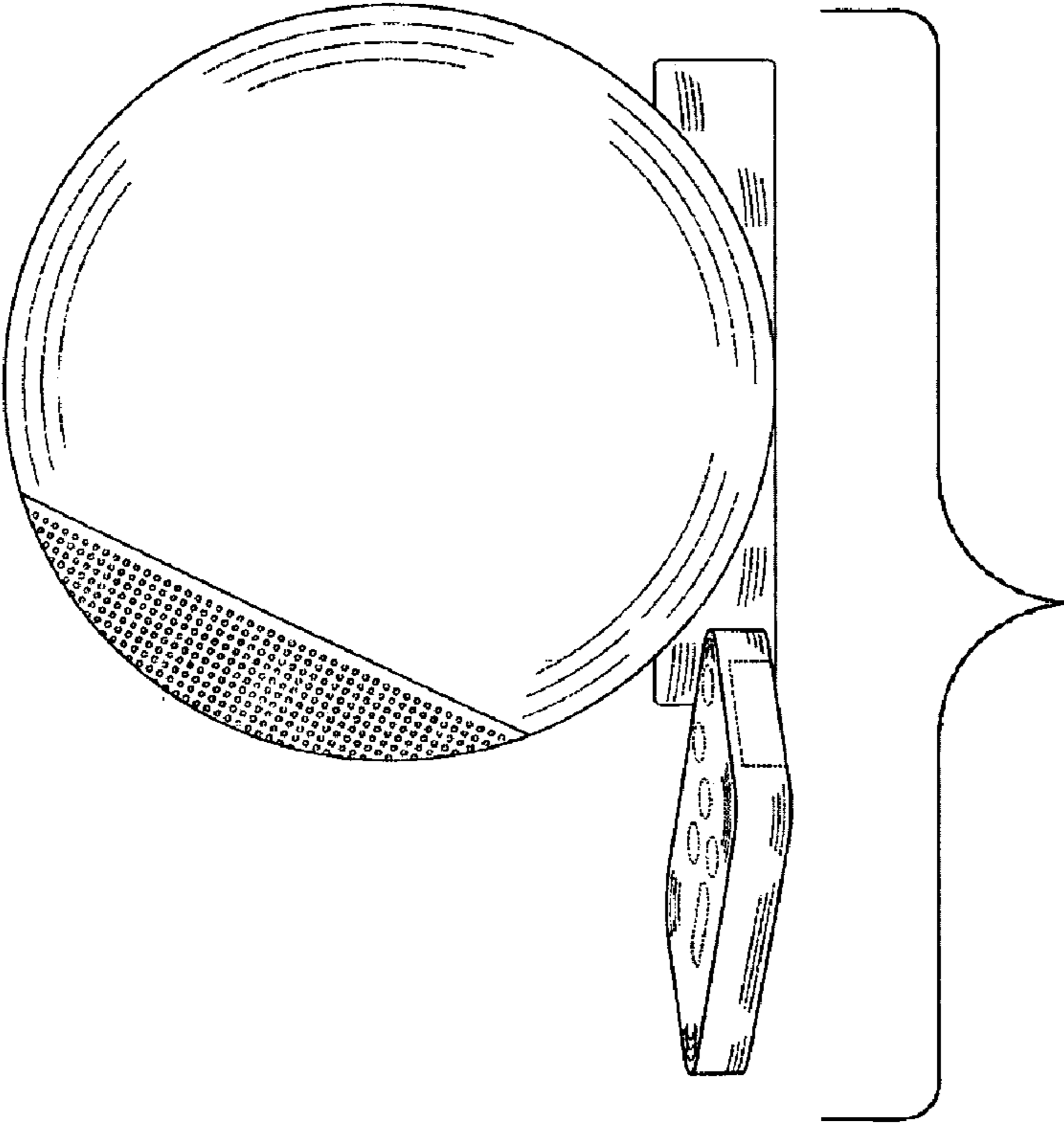


Figure 4

Figure 5

