



US00D573133S

(12) **United States Design Patent**  
**Milks et al.**

(10) **Patent No.:** **US D573,133 S**  
(45) **Date of Patent:** **\*\* Jul. 15, 2008**

(54) **SPEAKER SYSTEM**

(75) Inventors: **Donald L. Milks**, Wantage, NJ (US);  
**Mario Turchi**, Tenafly, NJ (US); **Steven Bellofatto**, Closter, NJ (US); **David Farrage**, Cliffside Park, NJ (US)

(73) Assignee: **Altec Lansing, a division of Plantronics, Inc.**, Milford, PA (US)

(\*\*) Term: **14 Years**

(21) Appl. No.: **29/280,065**

(22) Filed: **May 15, 2007**

(51) **LOC (8) Cl.** ..... **14-01**

(52) **U.S. Cl.** ..... **D14/214**

(58) **Field of Classification Search** ..... D14/204,  
D14/207, 210–216, 172; 181/143–144, 147–148,  
181/150–153, 157, 198–199; 381/300–303,  
381/306, 332–333, 336, 345, 361–364, 386–388  
See application file for complete search history.

(56) **References Cited**

**U.S. PATENT DOCUMENTS**

D283,124 S \* 3/1986 Kolb ..... D14/210

D440,220 S \* 4/2001 Dunk et al. .... D14/211  
D471,178 S \* 3/2003 Jordan et al. .... D14/212  
D508,910 S \* 8/2005 Oikawa ..... D14/214  
D540,307 S \* 4/2007 Han ..... D14/211

\* cited by examiner

*Primary Examiner*—Nanda Bondade

(74) *Attorney, Agent, or Firm*—Greenberg Traurig LLP;  
Richard E. Kurtz

(57) **CLAIM**

The ornamental design for a speaker system, as shown and described.

**DESCRIPTION**

FIG. 1 is a perspective view of a speaker system showing the present design;

FIG. 2 is a front elevation view thereof;

FIG. 3 is a rear elevation view thereof;

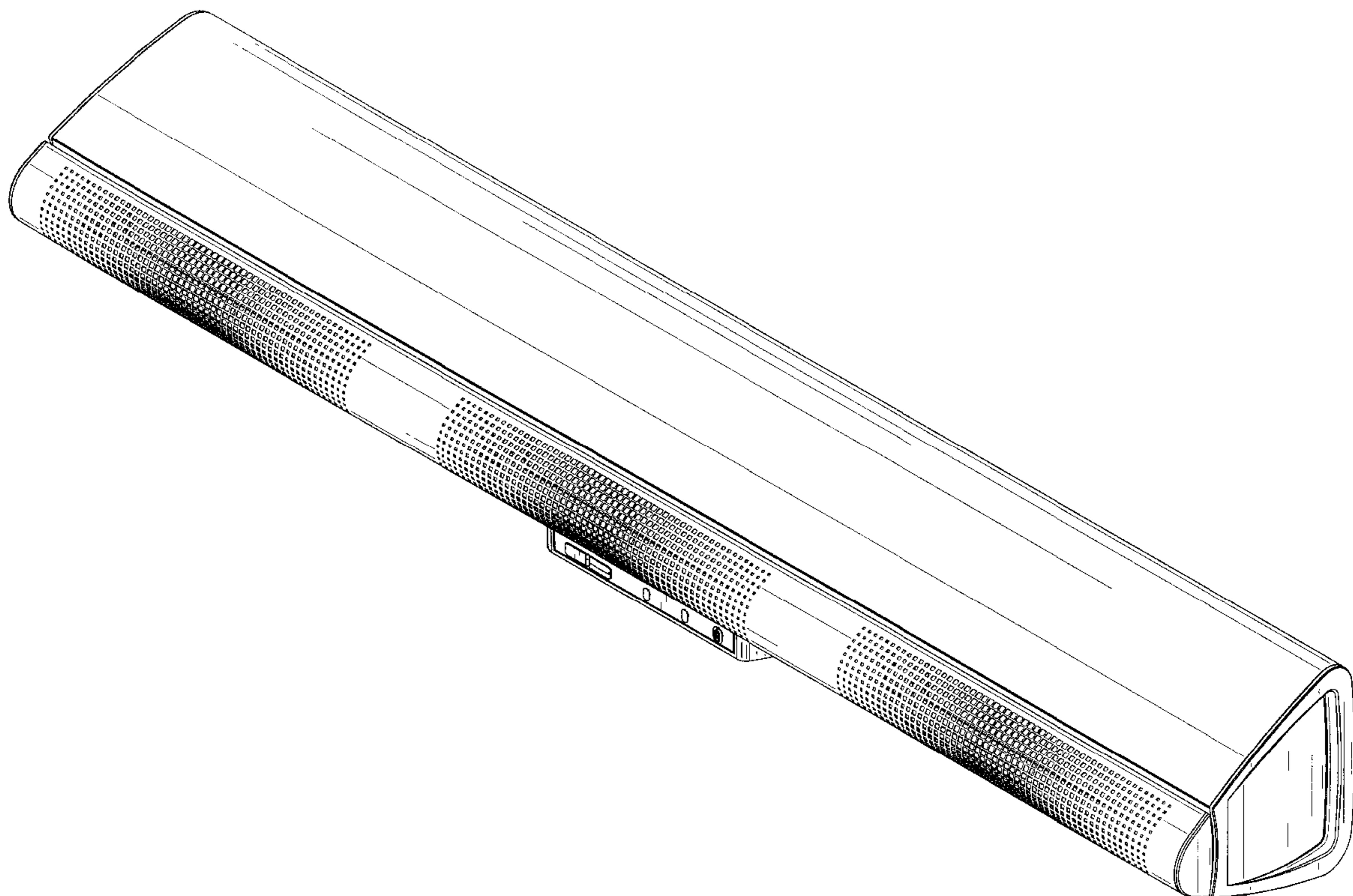
FIG. 4 is a right elevation view thereof;

FIG. 5 is a left elevation view thereof;

FIG. 6 is a top view thereof; and,

FIG. 7 is a bottom view thereof.

**1 Claim, 2 Drawing Sheets**



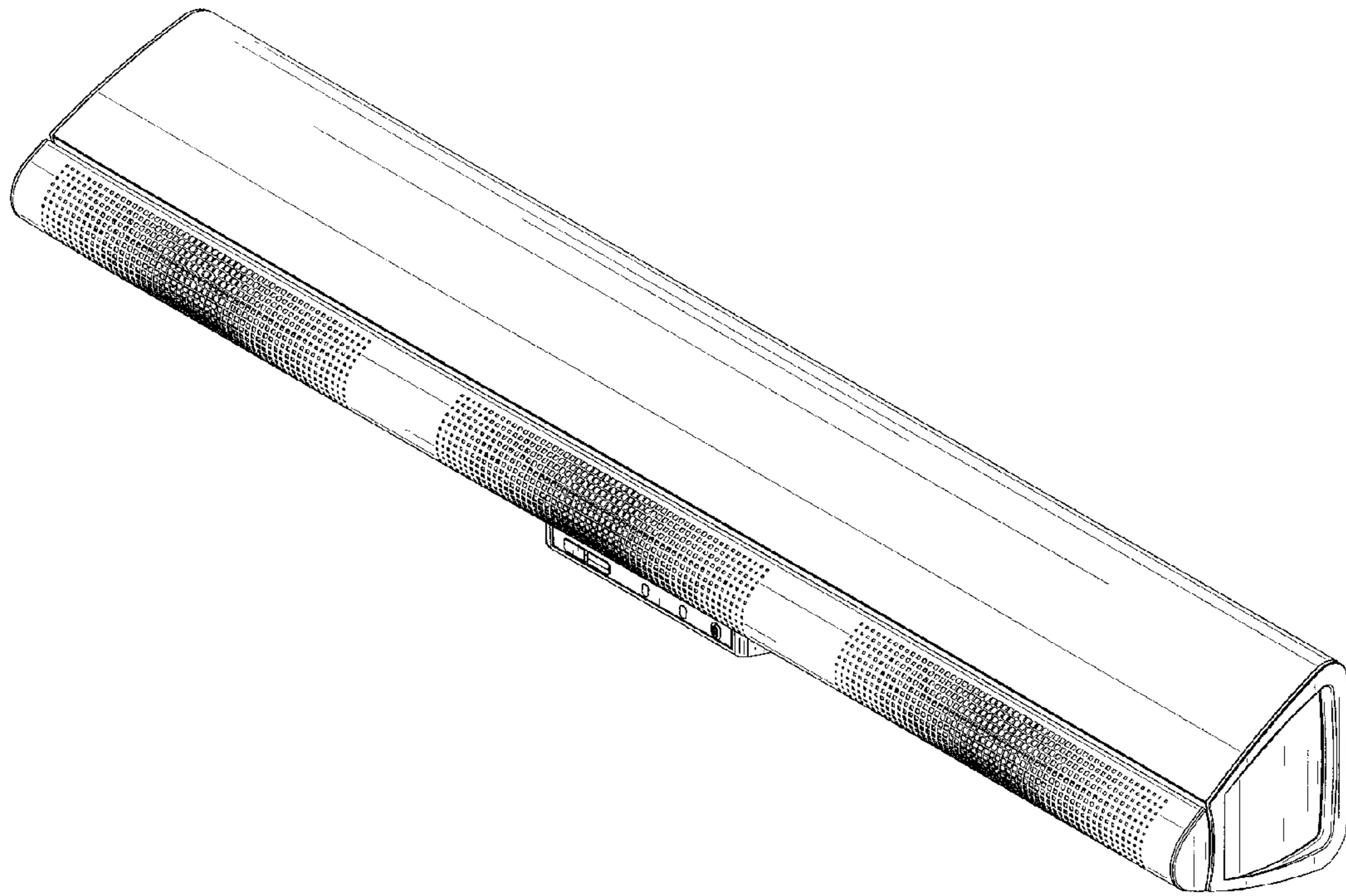


FIG. 1

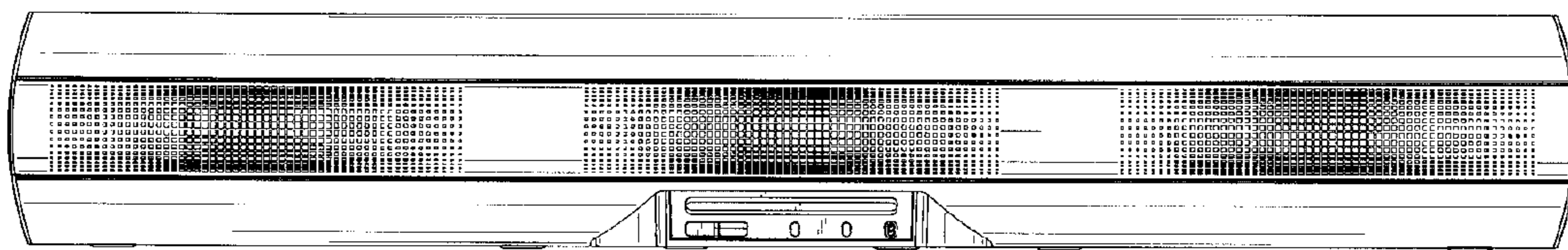


FIG. 2

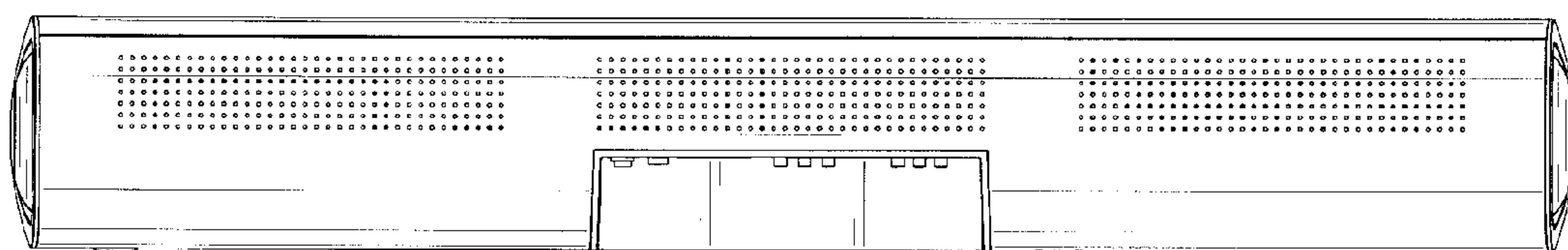


FIG. 3

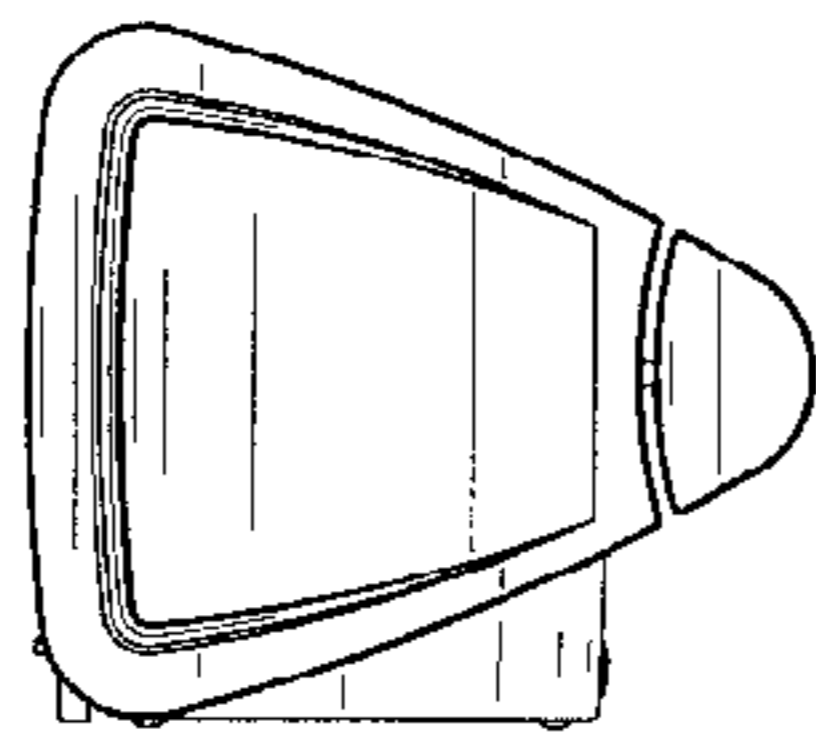


FIG. 4

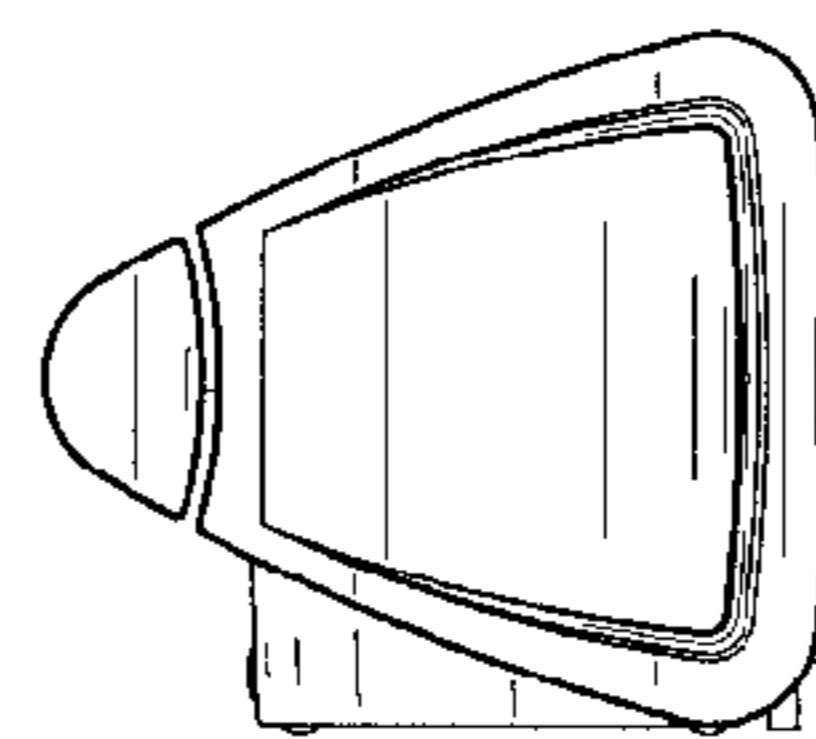


FIG. 5

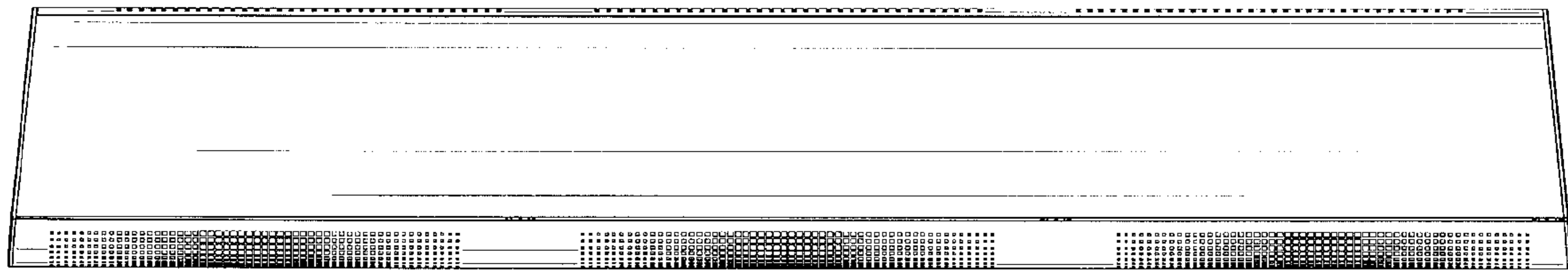


FIG. 6

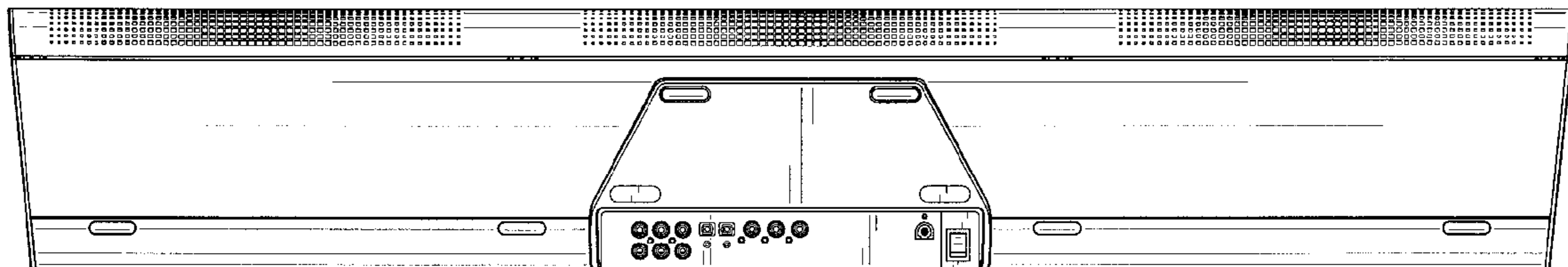


FIG. 7