



US00D573131S

(12) **United States Design Patent**
Webber

(10) **Patent No.:** **US D573,131 S**
(45) **Date of Patent:** **** Jul. 15, 2008**

(54) **ACOUSTIC FEEDBACK HEADSET**

(75) Inventor: **Sharon G. Webber**, Greer, SC (US)

(73) Assignee: **Super Duper Publications**, Greenville, SC (US)

(**) Term: **14 Years**

(21) Appl. No.: **29/289,220**

(22) Filed: **Jul. 12, 2007**

(51) **LOC (8) Cl.** **14-01**

(52) **U.S. Cl.** **D14/206**

(58) **Field of Classification Search** D14/205,
D14/206, 223, 137, 138, 168, 188, 192; D23/241,
D23/249; D21/616; D7/634, 635, 636; D24/112,
D24/175, 134; 2/209, DIG. 10; D29/112;
181/129, 130; 379/430, 431; 381/380, 381,
381/378; 446/72

See application file for complete search history.

(56) **References Cited**

U.S. PATENT DOCUMENTS

3,155,189	A	11/1964	MacFarlane	
3,182,746	A	5/1965	Schaefer, II	
D247,433	S *	3/1978	Fixler	D14/205
4,134,219	A	1/1979	Vilms	
D265,557	S *	7/1982	Besasio	D14/205
D288,141	S *	2/1987	Pozzini	D29/112
5,395,278	A	3/1995	Dickhut	
D357,916	S *	5/1995	Covington	D14/205
D371,639	S *	7/1996	Schmitt	D29/112
D383,136	S *	9/1997	Leifer	D14/223
D423,103	S	4/2000	Green	
D428,140	S	7/2000	Swan	
6,165,035	A *	12/2000	Avner	446/72
D445,105	S	7/2001	Brinson	
D459,342	S *	6/2002	Marion et al.	D14/223
D465,009	S *	10/2002	Siefken	D23/249
D477,821	S *	7/2003	Bieltvedt et al.	D14/206
D479,269	S	9/2003	Vrotsos	
D527,376	S *	8/2006	Swain et al.	D14/223
D565,659	S *	4/2008	Webber	D19/60

2004/0038188 A1 2/2004 Lee
2005/0013458 A1 1/2005 Monnie et al.
2006/0008782 A1 1/2006 Williams

* cited by examiner

Primary Examiner—Paula A Greene

(74) *Attorney, Agent, or Firm*—Seann P. Lahey; McNair Law Firm, P.A.

(57) **CLAIM**

The ornamental design for an acoustic feedback headset, as shown and described.

DESCRIPTION

FIG. 1 is a front perspective view of the acoustic feedback headset design;

FIG. 2 is a front perspective view of the acoustic feedback headset design with the acoustic feedback tubing in an operative position;

FIG. 3 is a front elevation view of the acoustic feedback headset design;

FIG. 4 is a rear elevation view of the acoustic feedback headset design;

FIG. 5 is a bottom plan view of the acoustic feedback headset design;

FIG. 6 is a bottom plan view of the acoustic feedback headset design with the acoustic feedback tubing in an operative position;

FIG. 7 is a top plan view of the acoustic feedback headset design;

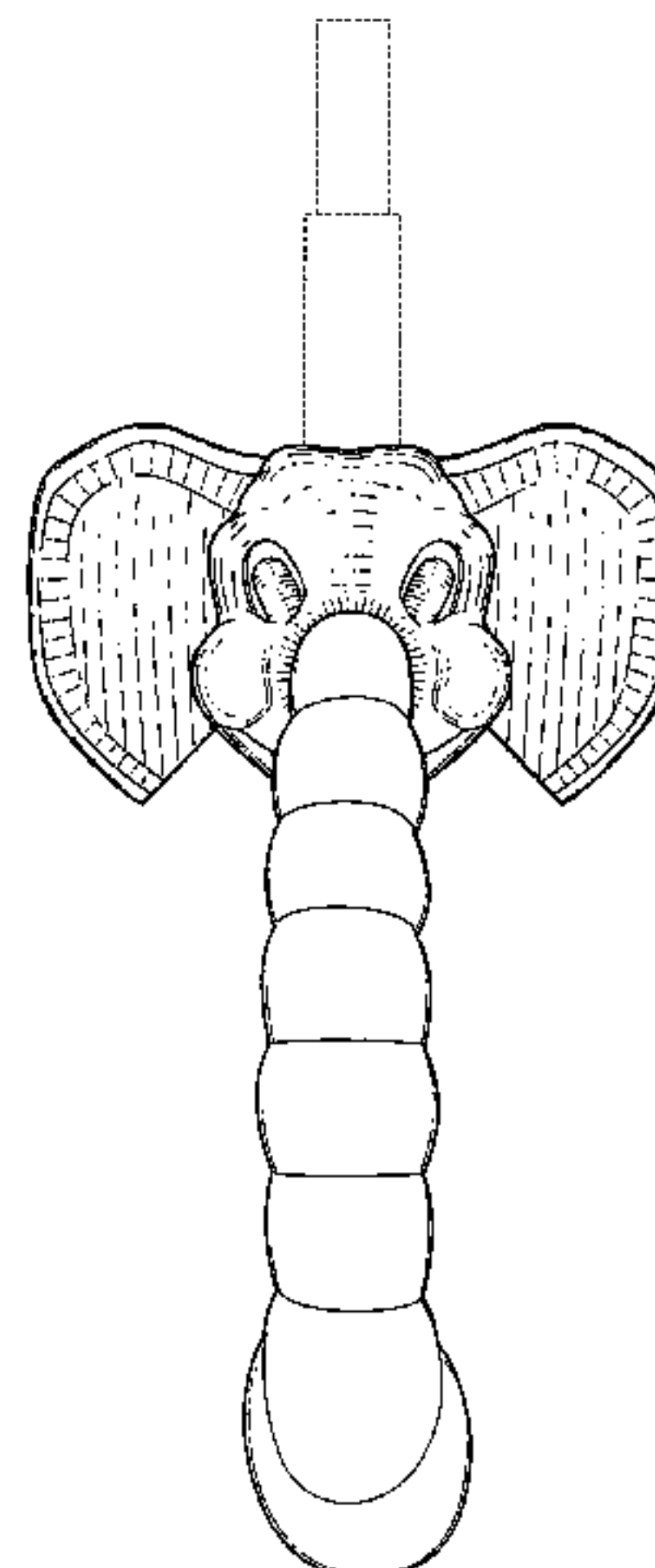
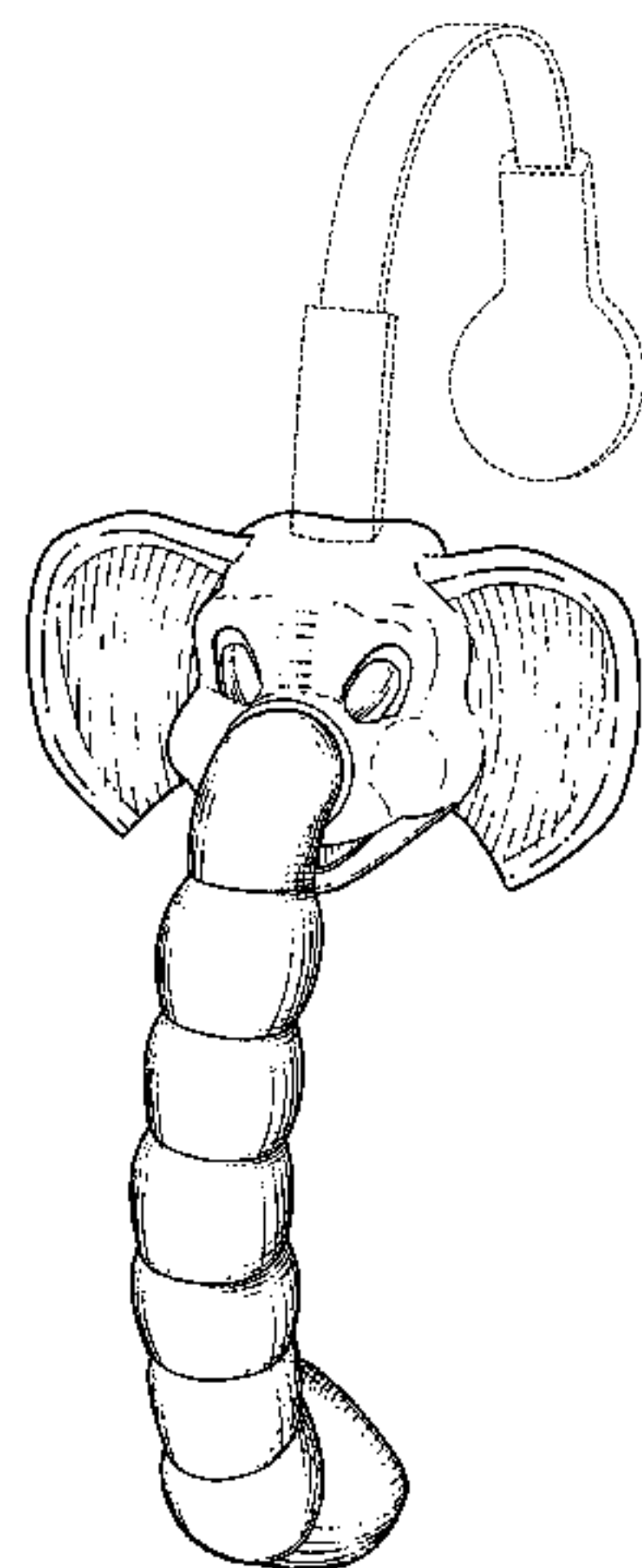
FIG. 8 is a top plan view of the acoustic feedback headset design with the acoustic feedback tubing in an operative position;

FIG. 9 is a left side elevation view of the acoustic feedback headset design; and,

FIG. 10 is a right side elevation view of the acoustic feedback headset design.

The broken line disclosures shown in the Figures of the acoustic feedback headset design are for illustrative purposes only and forms no part of the claimed design.

1 Claim, 8 Drawing Sheets



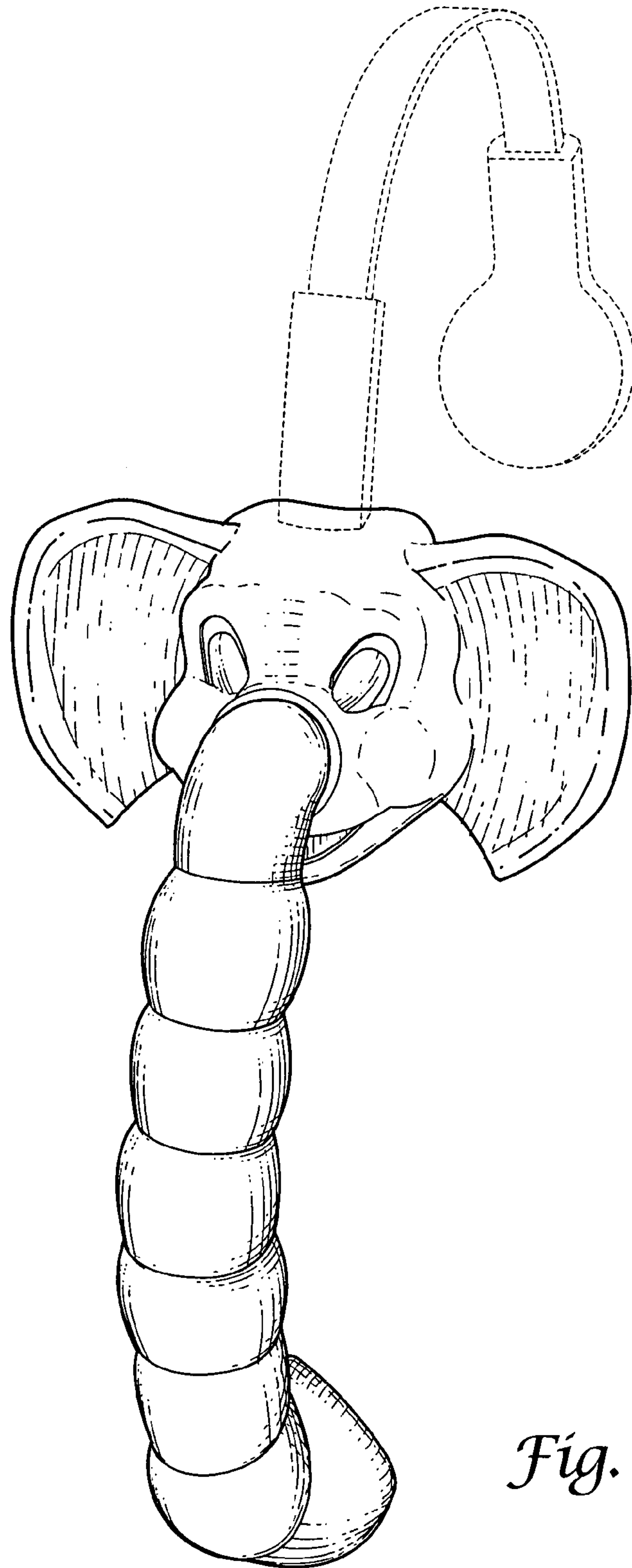


Fig. 1

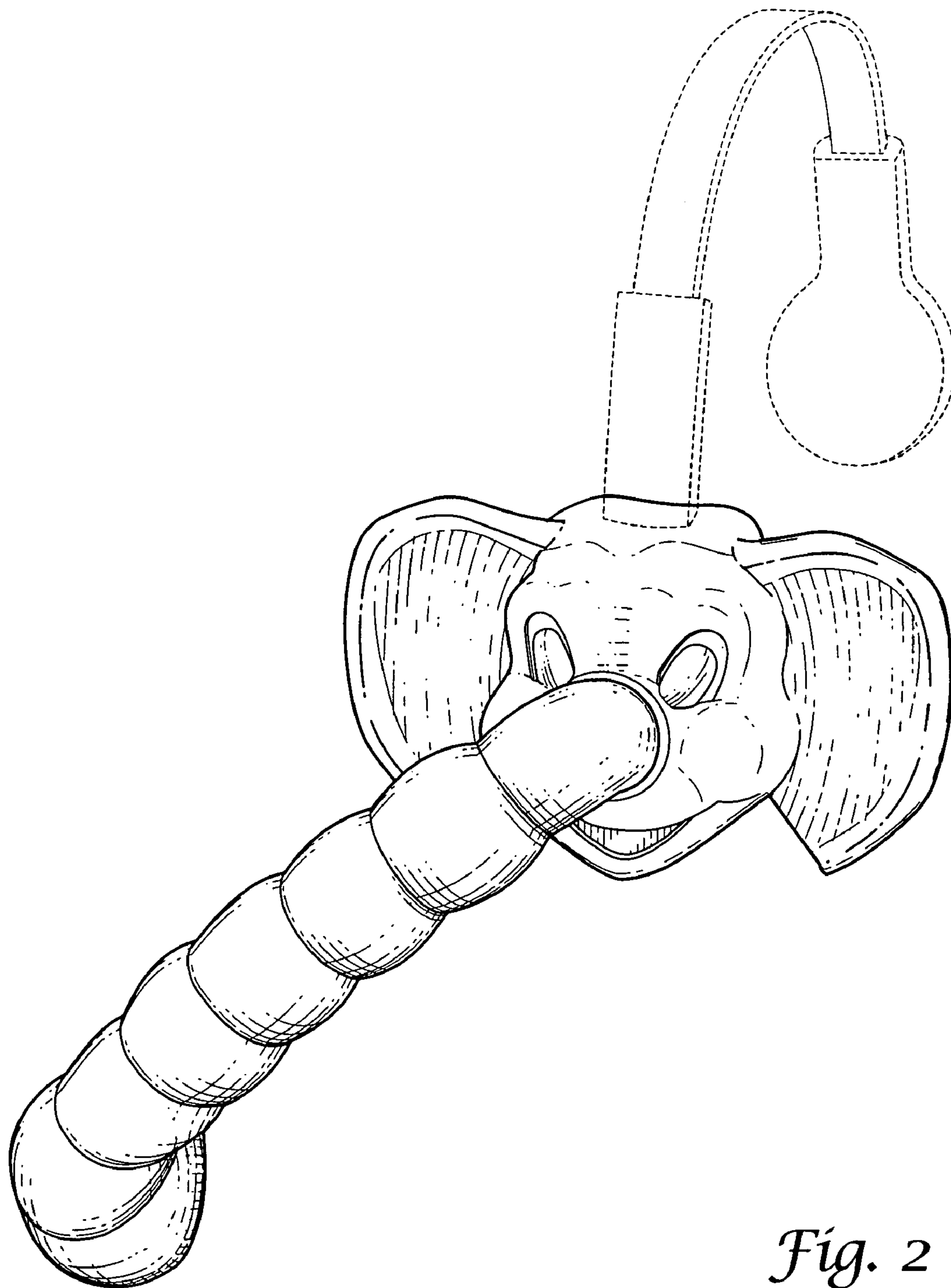


Fig. 2

Fig. 3

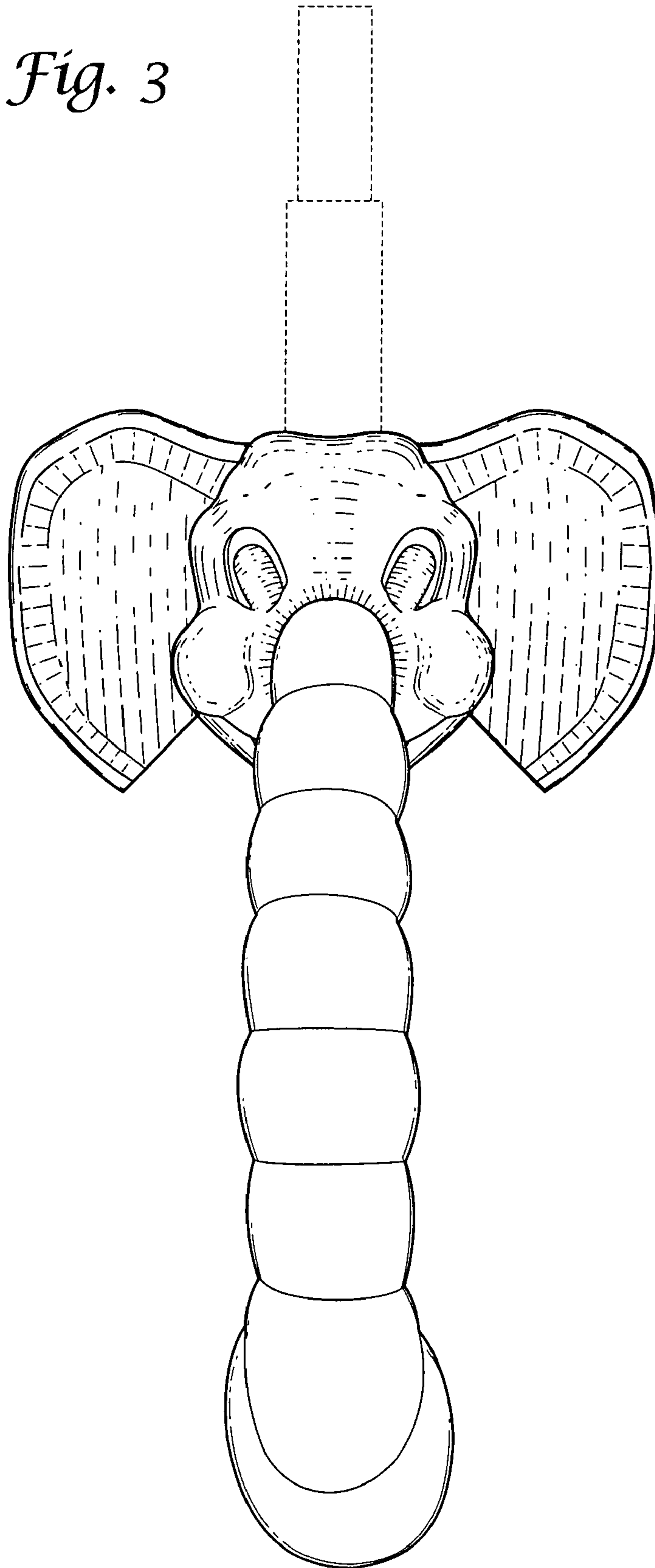
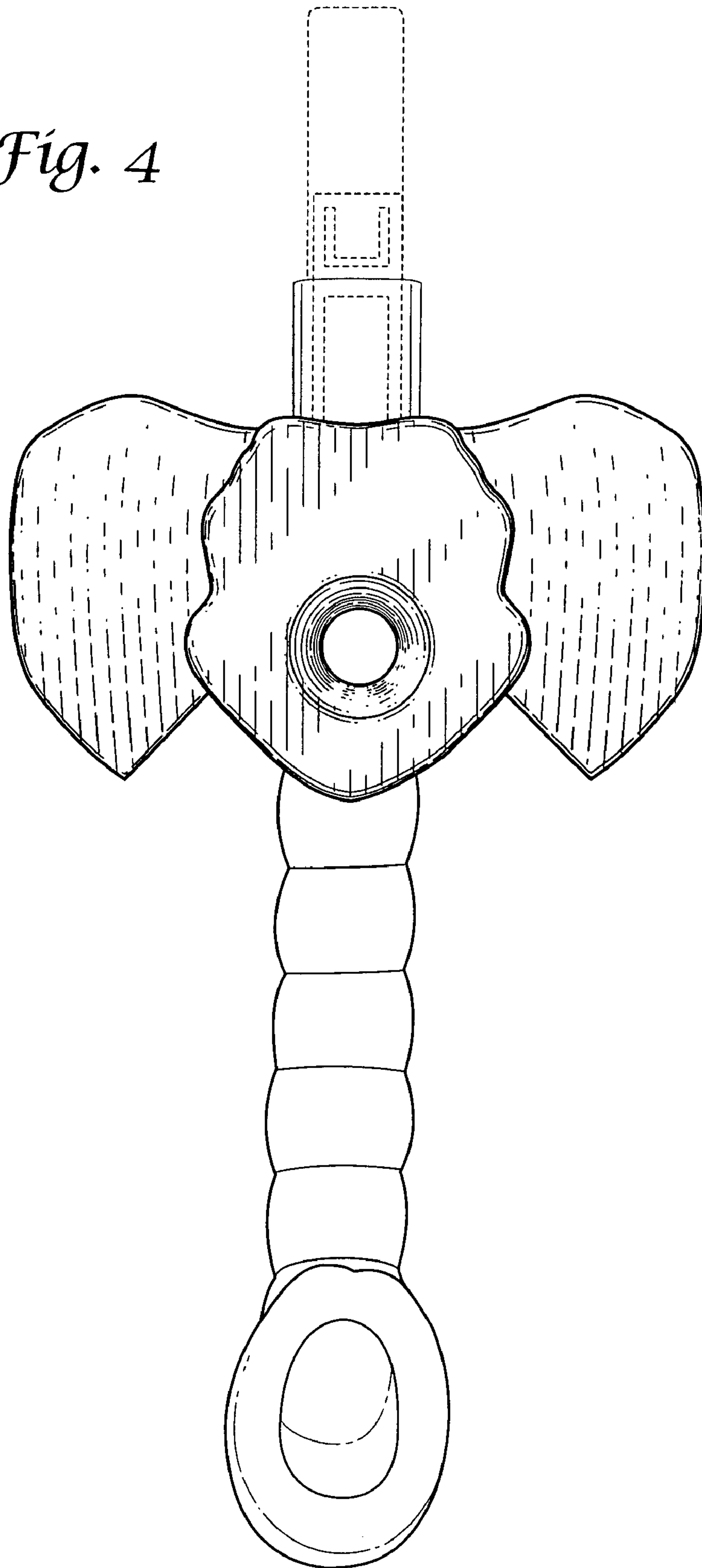
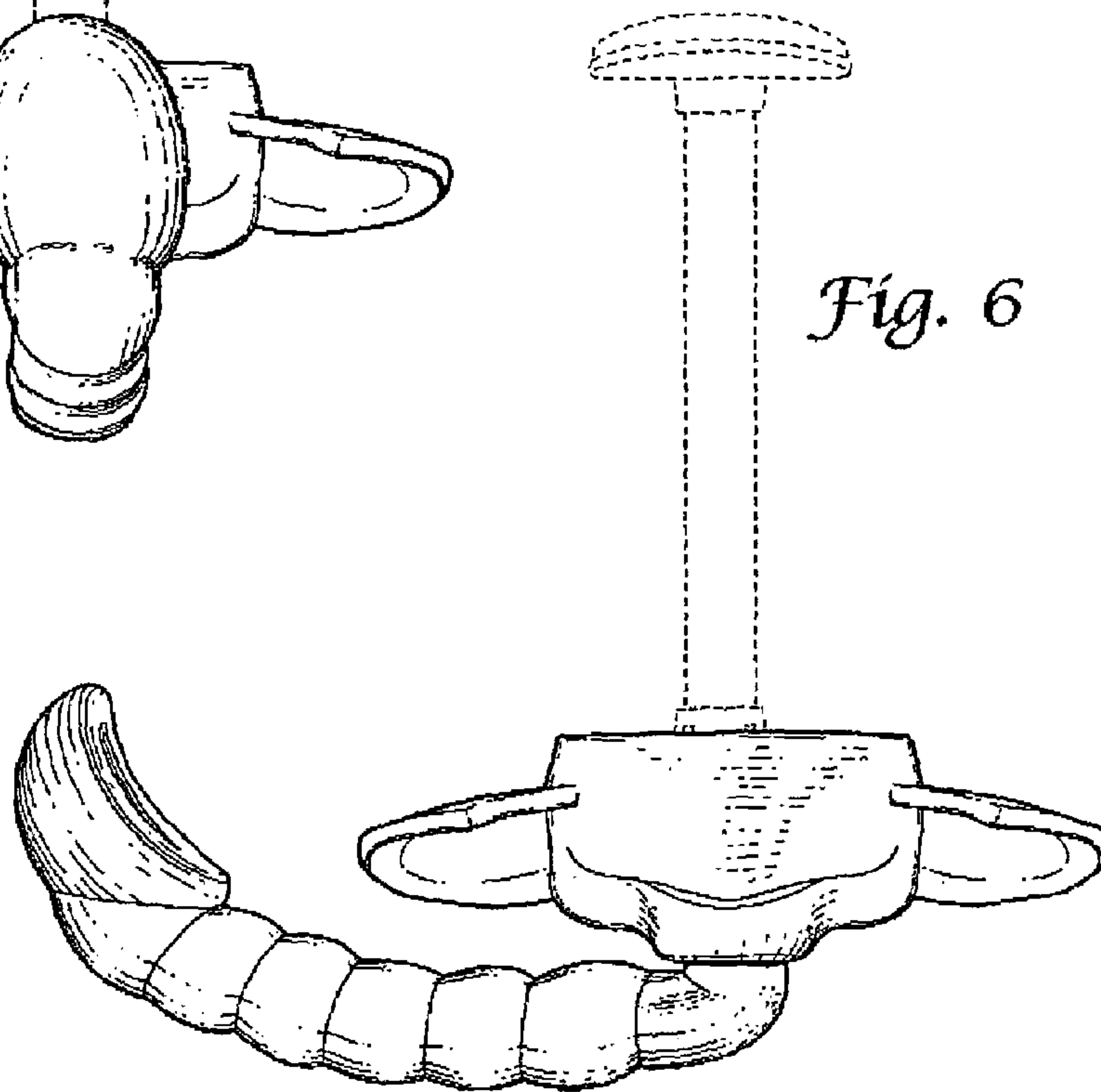
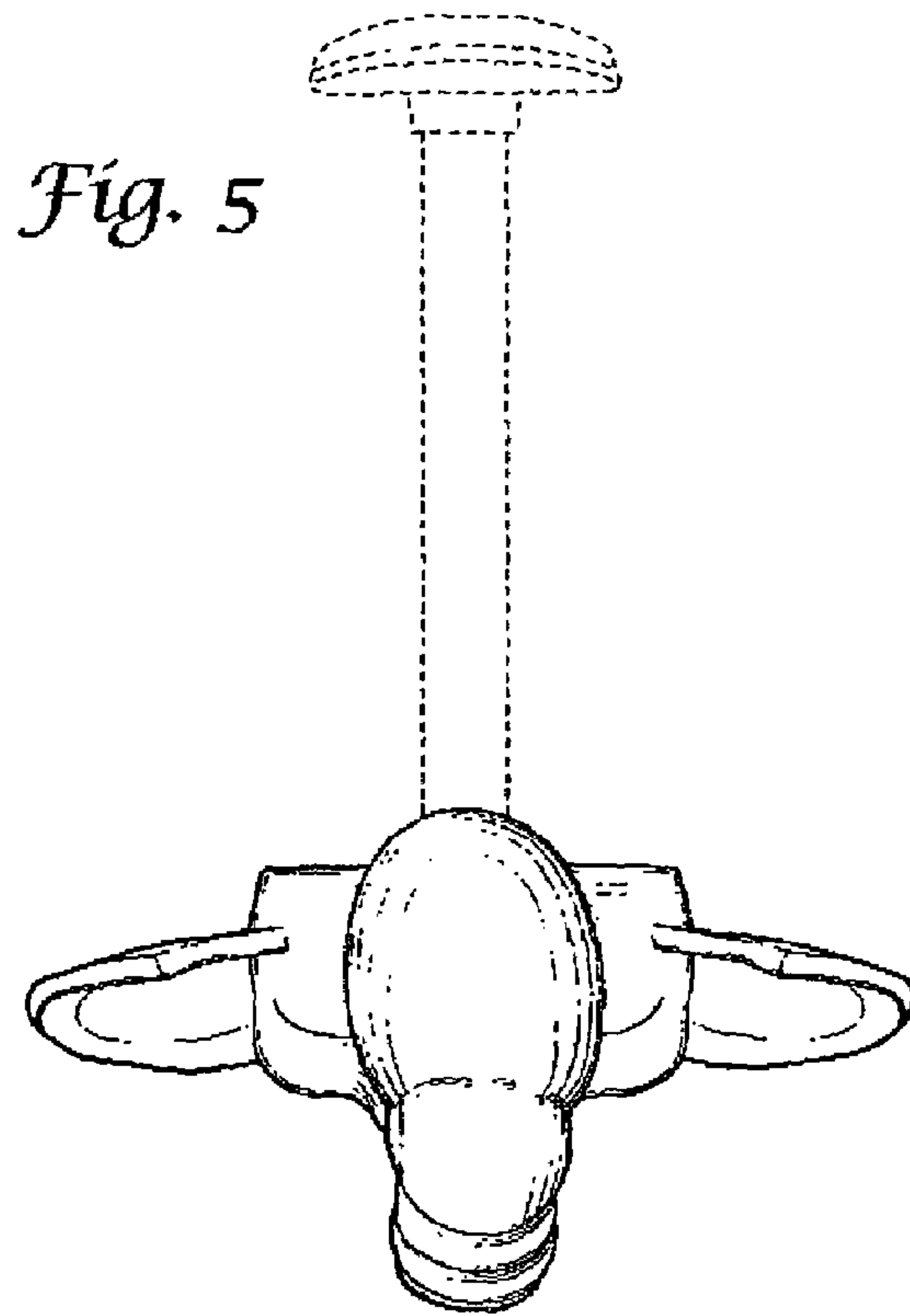


Fig. 4





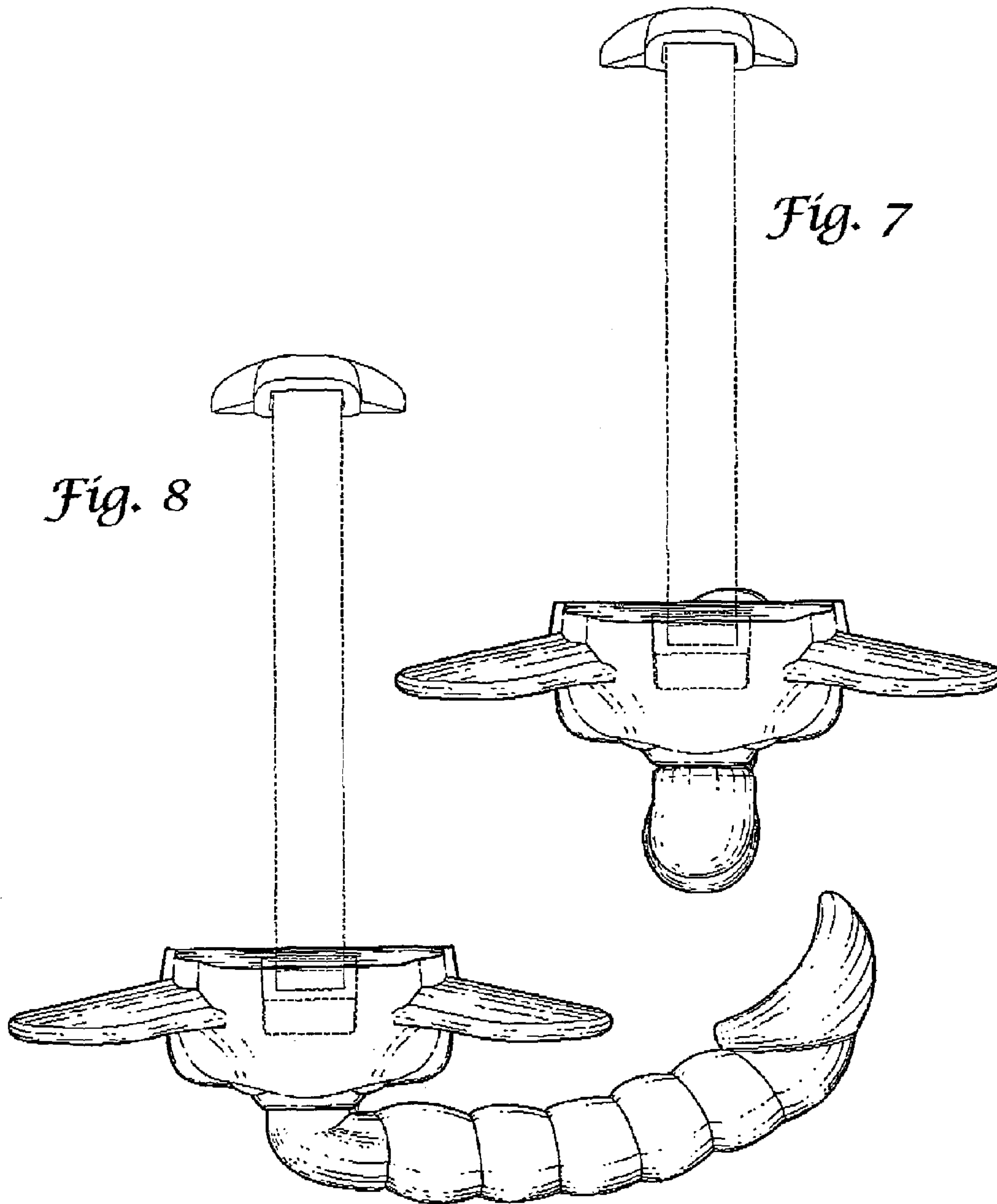


Fig. 7

Fig. 8

Fig. 9

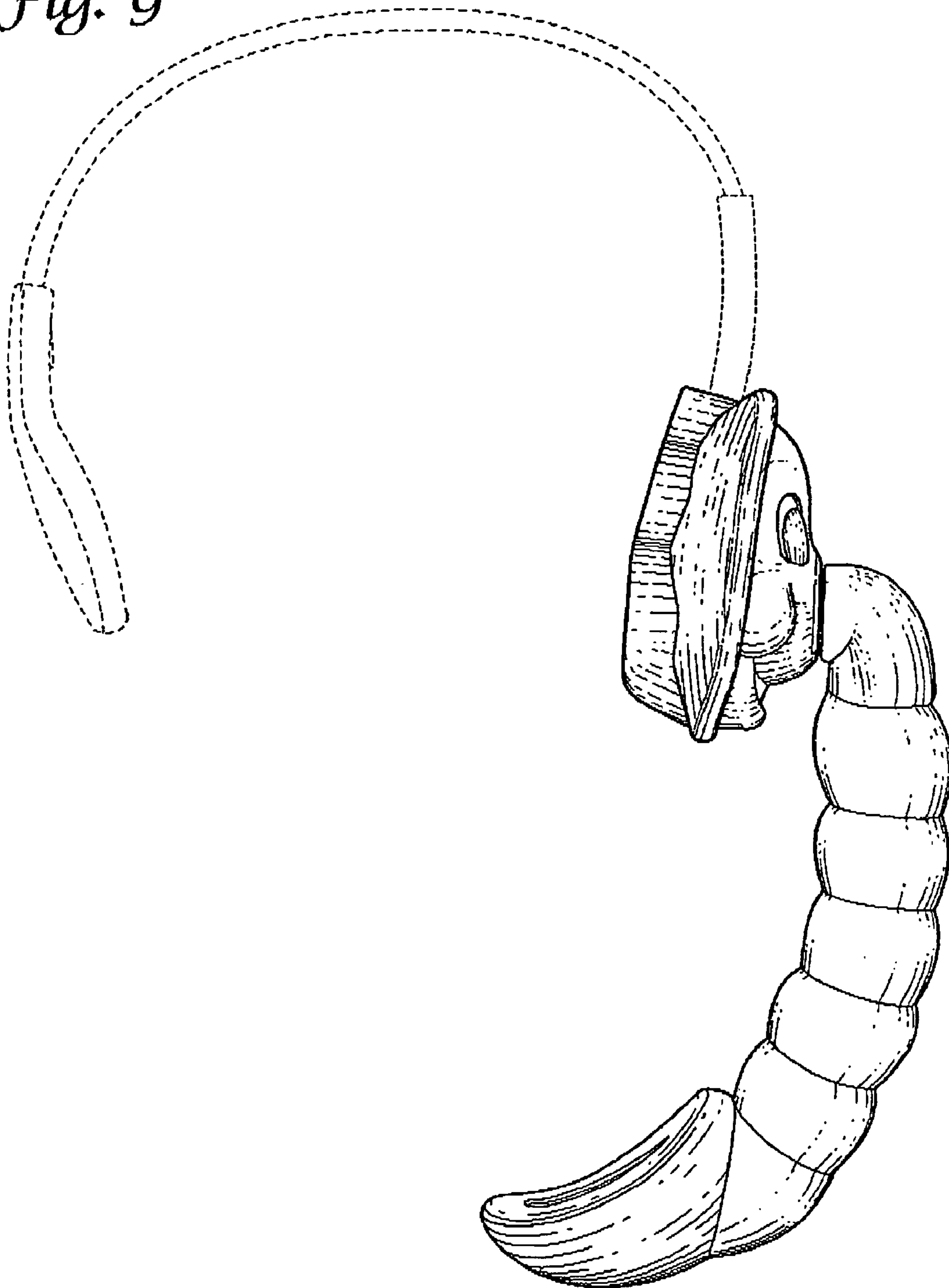


Fig. 10

