



US00D573120S

(12) **United States Design Patent**  
**Griffin et al.**

(10) **Patent No.:** **US D573,120 S**

(45) **Date of Patent:** **\*\* Jul. 15, 2008**

(54) **HANDHELD DEVICE**

(75) Inventors: **Jason T. Griffin**, Kitchener (CA);  
**Cortez M. Corley**, Waterloo (CA);  
**Norman M. Ladouceur**, Waterloo (CA)

(73) Assignee: **Research In Motion Limited**, Waterloo,  
Ontario (CA)

(\*\*) Term: **14 Years**

(21) Appl. No.: **29/256,329**

(22) Filed: **Mar. 17, 2006**

(51) **LOC (8) Cl.** ..... **14-03**

(52) **U.S. Cl.** ..... **D14/138**

(58) **Field of Classification Search** ..... D14/137,  
D14/138, 147, 218, 341-347; 455/90.3,  
455/556.1, 556.2, 575.1, 575.3, 575.4; 379/433.01-433.13;  
361/814; 348/14.02

See application file for complete search history.

(56) **References Cited**

**U.S. PATENT DOCUMENTS**

D447,128 S *	8/2001	Lee et al.	.....	D14/138
D464,632 S *	10/2002	Nagai et al.	.....	D14/138
D477,294 S *	7/2003	Ikeda et al.	.....	D14/138
D493,440 S *	7/2004	Chou et al.	.....	D14/138
6,791,597 B2 *	9/2004	Ando et al.	.....	348/14.02
D500,994 S *	1/2005	Lee et al.	.....	D14/138
D501,457 S *	2/2005	Lee et al.	.....	D14/138
D502,932 S *	3/2005	Minamide	.....	D14/138
D504,406 S *	4/2005	Cho et al.	.....	D14/138
D507,551 S *	7/2005	Kim et al.	.....	D14/138
D508,474 S *	8/2005	Ribeiro et al.	.....	D14/138
D509,495 S *	9/2005	Ribeiro et al.	.....	D14/138
D518,465 S *	4/2006	Van Den Nieuwenhuizen et al.	.....	D14/138
D520,976 S *	5/2006	LaDelfa	.....	D14/138
7,120,475 B2 *	10/2006	Kaneko	.....	455/575.1
7,133,691 B2 *	11/2006	Kang	.....	455/556.1
7,184,807 B2 *	2/2007	Shimamura	.....	455/575.6
D543,175 S *	5/2007	Park et al.	.....	D14/138
D545,796 S *	7/2007	Kim et al.	.....	D14/138

D550,708 S *	9/2007	Kim et al.	.....	D14/496
D552,059 S *	10/2007	Cho et al.	.....	D14/138
2002/0086702 A1 *	7/2002	Lai et al.	.....	455/556
2004/0097277 A1 *	5/2004	Shimamura	.....	455/575.3
2006/0003817 A1 *	1/2006	Lee et al.	.....	455/575.3

**OTHER PUBLICATIONS**

Samsung D700, announced 3rd quarter 2003, [online], [retrieved on  
Nov. 3, 2007]. Retrieved from Internet ,<URL: <http://www.gsmarena.com>>.\*

(Continued)

*Primary Examiner*—Jeffrey D. Asch  
*Assistant Examiner*—Bridget L Eland

(74) *Attorney, Agent, or Firm*—Brij K. Agarwal; Eckert  
Seamans Cherin & Mellott, LLC

(57) **CLAIM**

The ornamental design for a handheld device, as shown and  
described.

**DESCRIPTION**

FIG. 1 is a front elevational view of a handheld device depict-  
ing our new design;

FIG. 2 is a left side elevational view thereof;

FIG. 3 is a right side elevational view thereof;

FIG. 4 is a top plan view thereof;

FIG. 5 is a bottom plan view thereof;

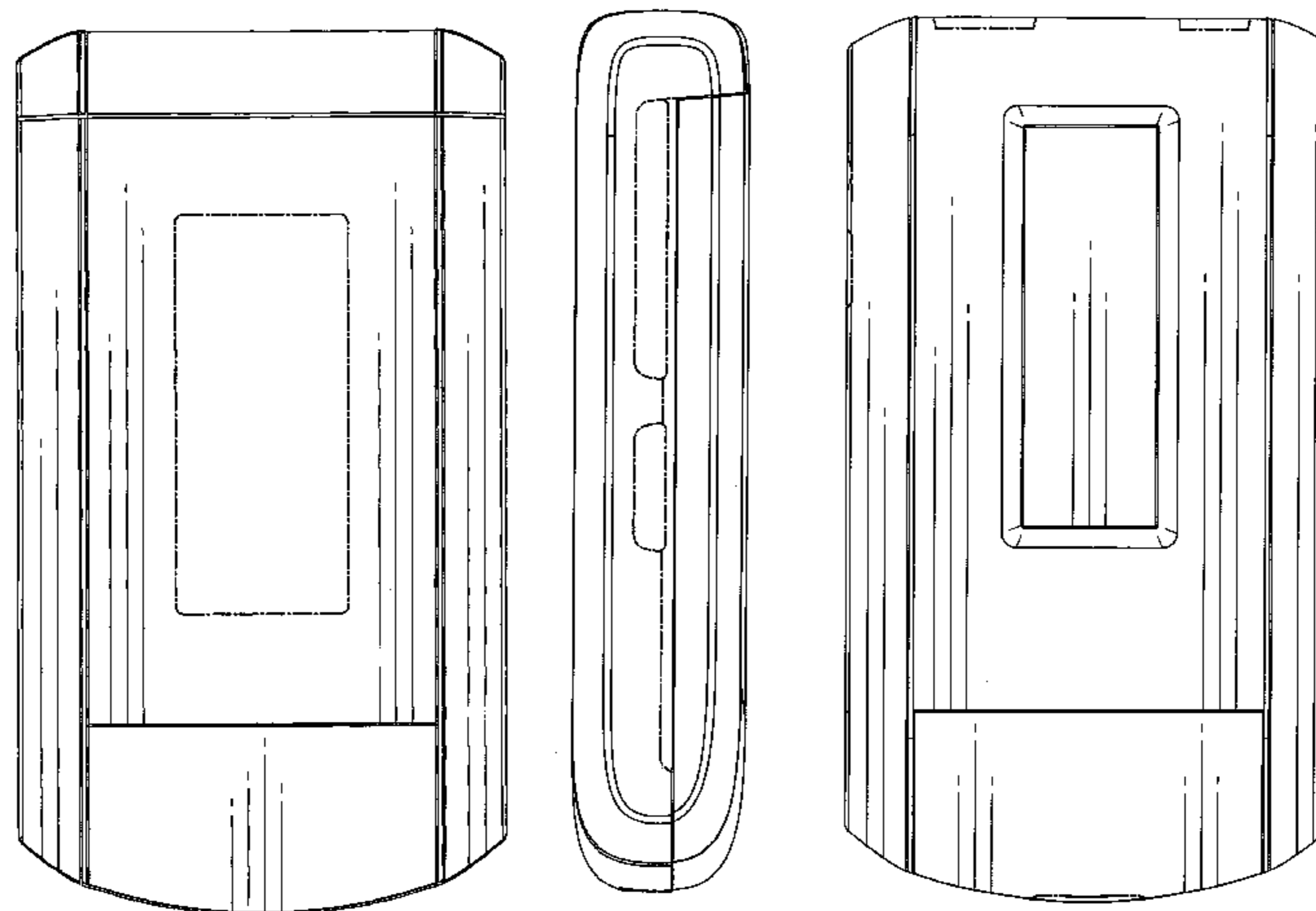
FIG. 6 is a rear elevational view thereof;

FIG. 7 is a front perspective view thereof; and,

FIG. 8 is another rear perspective view thereof.

The broken lines that are disposed immediately adjacent the  
shaded areas and that encompass non-shaded regions repre-  
sent the bounds of the claimed design, while all other broken  
lines are directed to environment and are for illustrative pur-  
poses only; the broken lines form no part of the claimed  
design.

**1 Claim, 6 Drawing Sheets**



OTHER PUBLICATIONS

Samsung Z110, announced 4th quarter 2004, [online], [retrieved on Nov. 3, 2007]. Retrieved from Internet ,<URL: <http://www.gsmarena.com>>.\*

Motorola V690, announced 3rd quarter 2003, [online], [retrieved on Nov. 4, 2007]. Retrieved from Internet ,<URL: <http://www.gsmarena.com>>.\*

Motorola W375, announced Jun. 2006, [online], [retrieved on Nov. 4, 2007]. Retrieved from Internet ,<URL: <http://www.gsmarena.com>>.\*

Motorola W380, announced Mar. 2007, [online], [retrieved on Nov. 4, 2007]. Retrieved from Internet ,<URL: <http://www.gsmarena.com>>.\*

Philips 760, announced 1st quarter 2005, [online], [retrieved on Nov. 4, 2007]. Retrieved from Internet ,<URL: <http://www.gsmarena.com>>.\*

Samsung E490, announced Nov. 2006, [online], [retrieved on Nov. 3, 2007]. Retrieved from Internet ,<URL: <http://www.gsmarena.com>>.\*

Samsung E570, announced Oct. 2006, [online], [retrieved on Nov. 3, 2007]. Retrieved from Internet ,<URL: <http://www.gsmarena.com>>.\*

\* cited by examiner

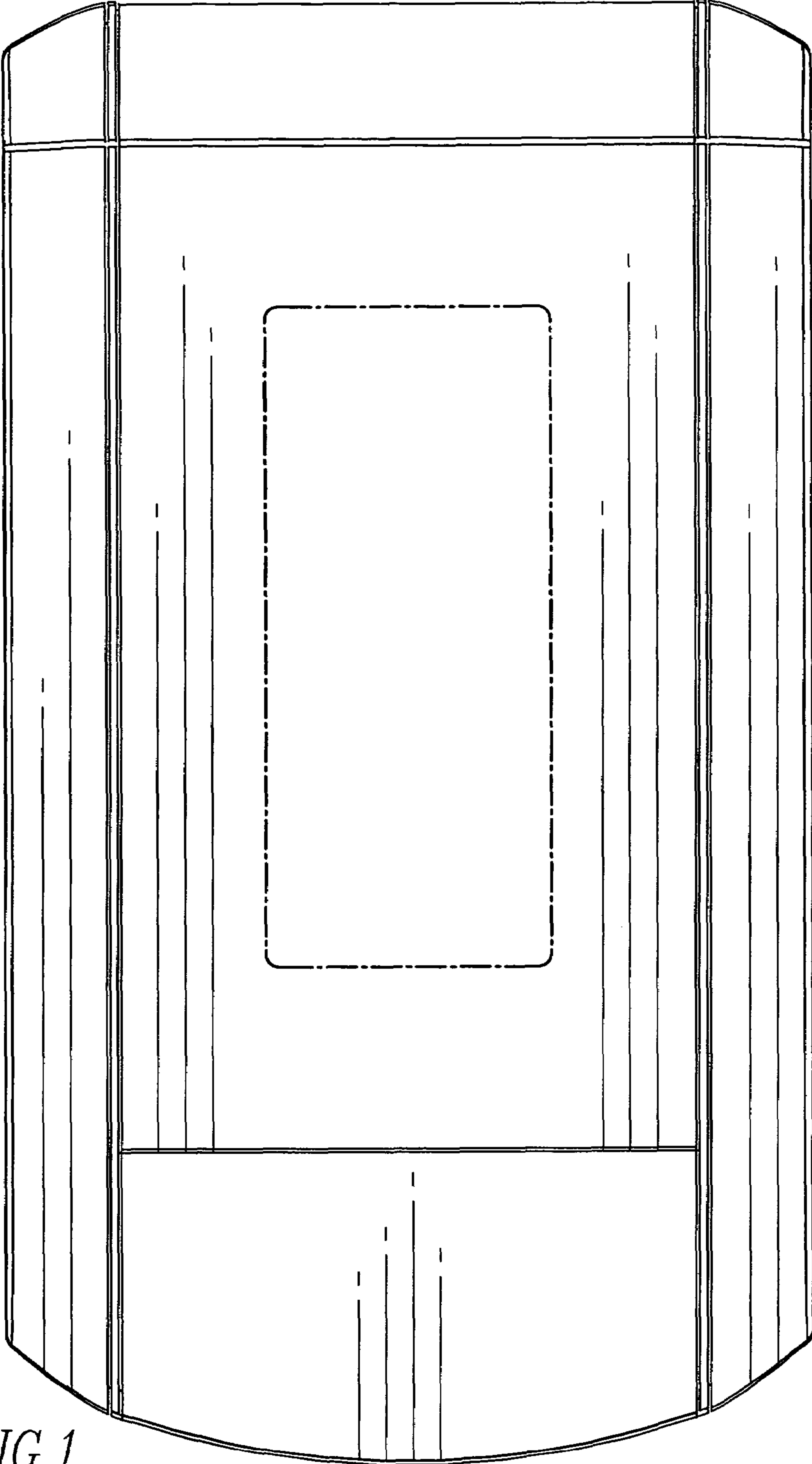


FIG. 1

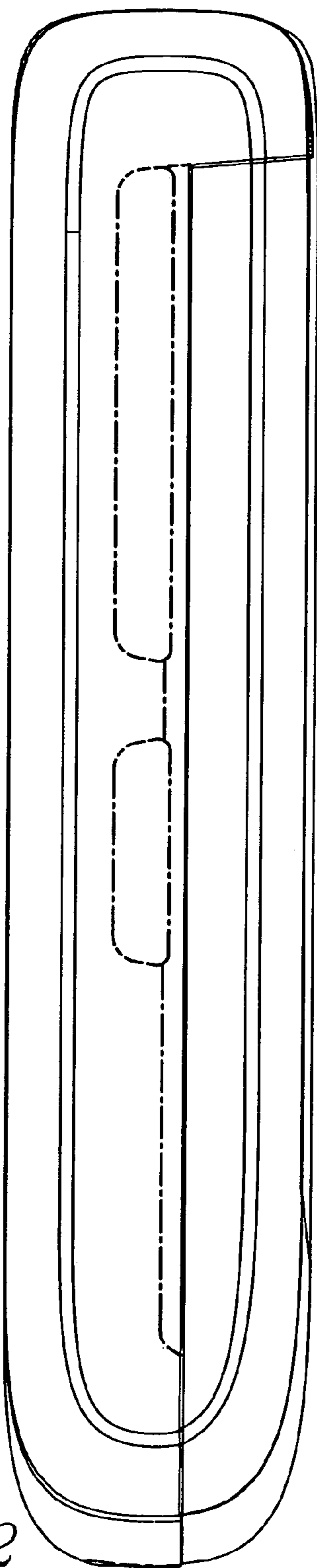


FIG. 2

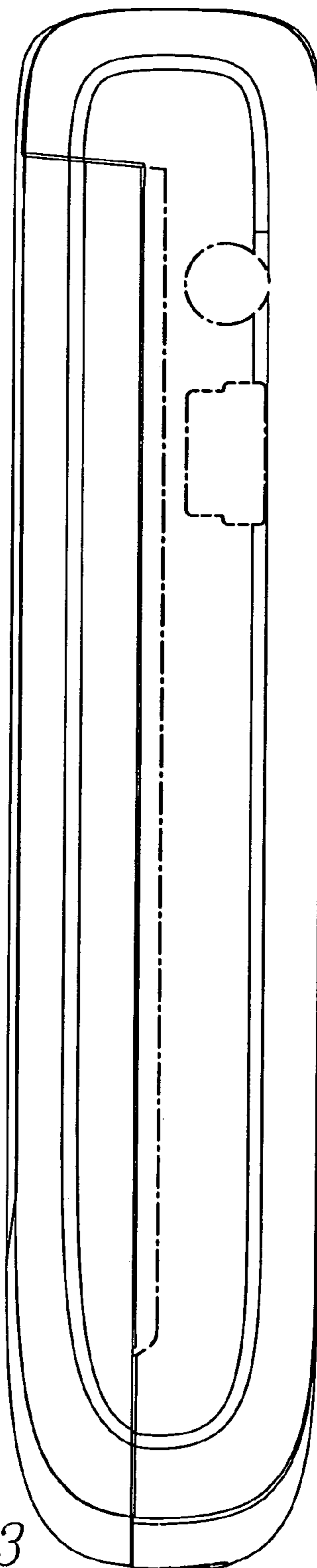


FIG. 3

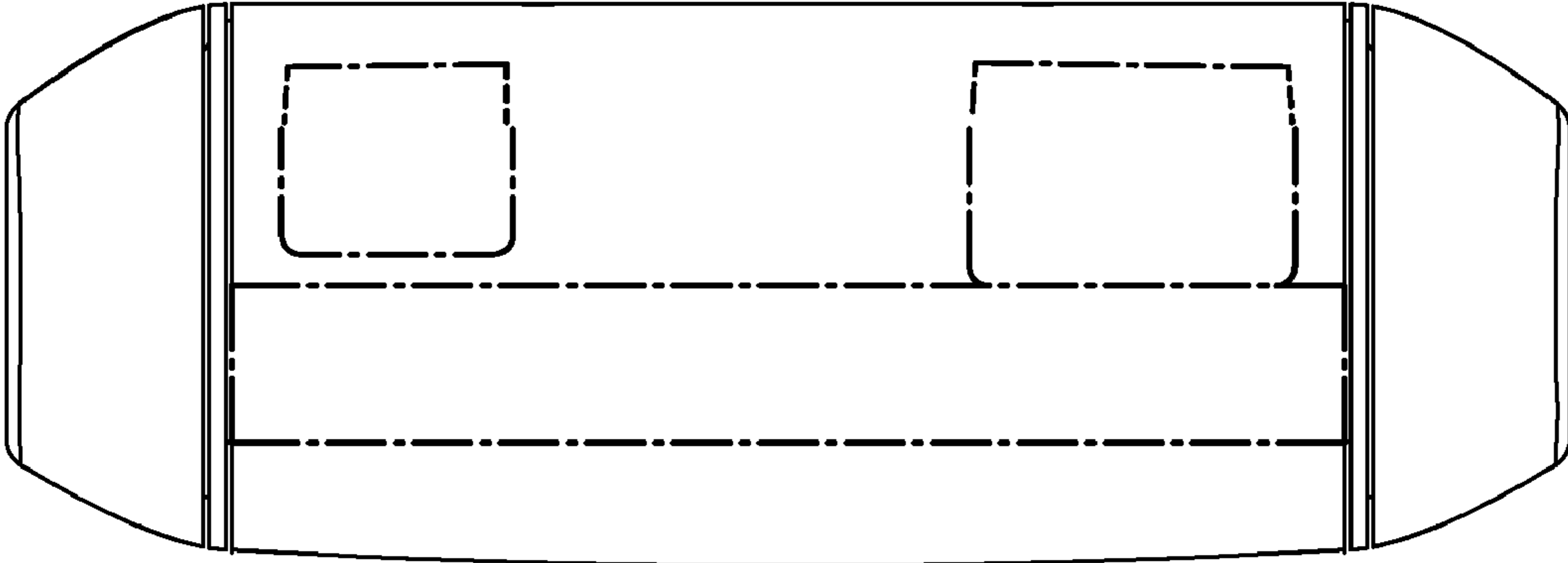


FIG. 4

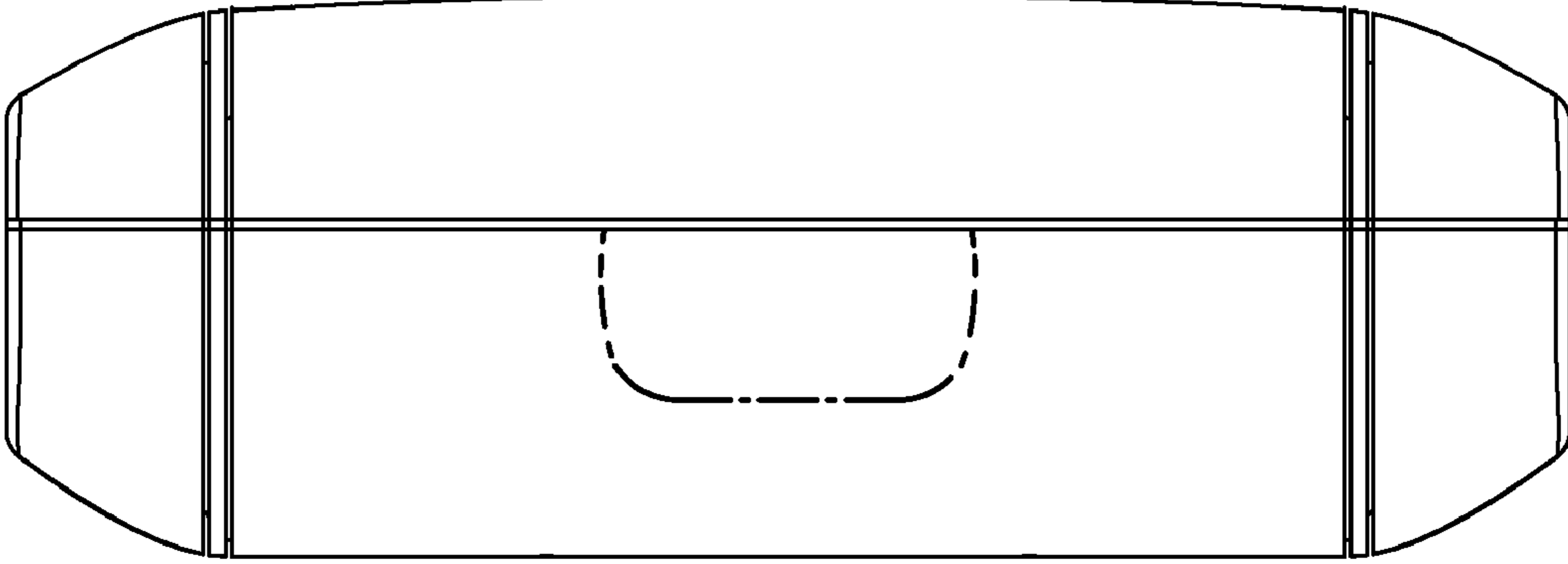


FIG. 5

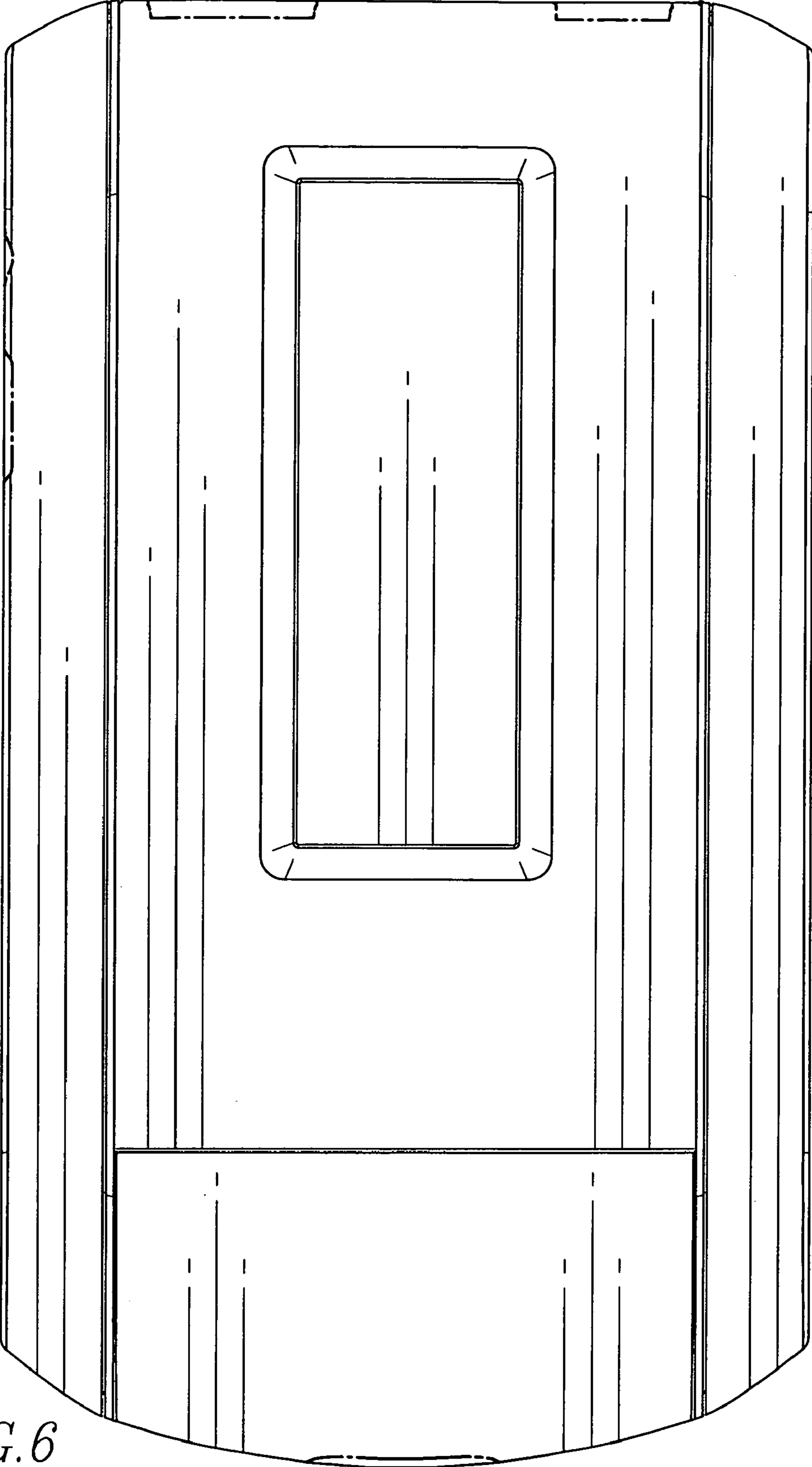


FIG. 6

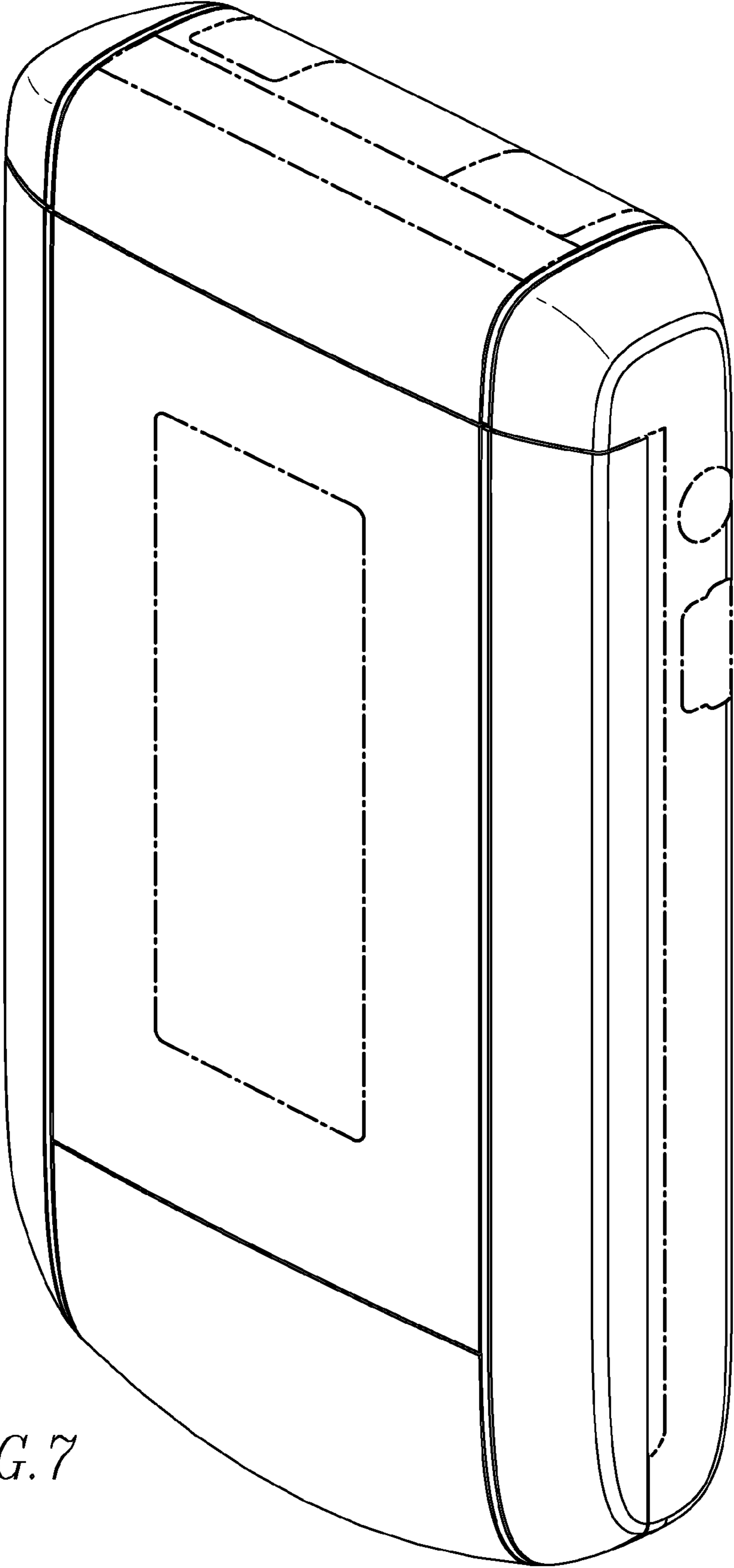
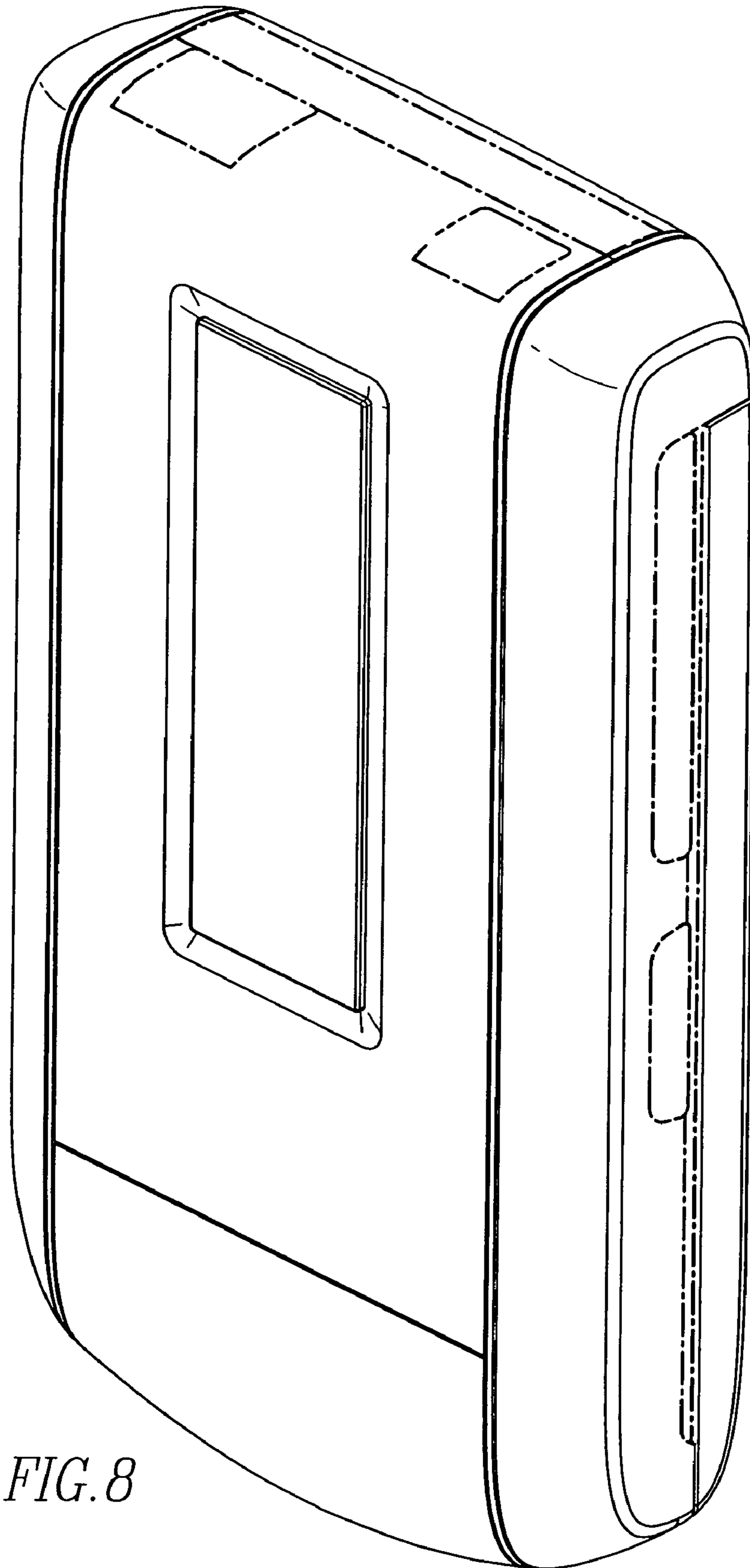


FIG. 7



*FIG. 8*