

US00D573118S

(12) **United States Design Patent**  
**Yang et al.**

(10) **Patent No.:** **US D573,118 S**  
(45) **Date of Patent:** **\*\* Jul. 15, 2008**

(54) **PDP TELEVISION RECEIVER**

(75) Inventors: **Jun-Ho Yang**, Seoul (KR); **Yun-Je Kang**, Seoul (JP)

(73) Assignee: **Samsung Electronics Co., Ltd.**,  
Kyunggi-do (KR)

(\*\*) Term: **14 Years**

(21) Appl. No.: **29/291,992**

(22) Filed: **Sep. 25, 2007**

(51) **LOC (8) Cl.** ..... **14-03**

(52) **U.S. Cl.** ..... **D14/126**

(58) **Field of Classification Search** ..... D14/125-134,  
D14/239, 371, 136, 374-377, 440, 450, 448,  
D14/336, 342; 312/7.2; 348/836, 838, 180,  
348/184, 325, 739; 341/12; 248/917-924,  
248/465; 345/104, 133, 156, 168, 87, 173;  
720/605, 669, 600, 655; 369/99, 197; 455/344,  
455/347; D21/329, 515, 577, 622, 333, 433,  
D21/448, 452, 450, 331; D6/477, 479; 273/148 B;  
446/484, 175, 356; D10/15, 26

See application file for complete search history.

(56) **References Cited**

**U.S. PATENT DOCUMENTS**

D453,516 S	*	2/2002	Pentz	.....	D14/436
D486,456 S	*	2/2004	Fujiki	.....	D14/126
D494,941 S		8/2004	Kim		
D499,386 S		12/2004	Yang		
D512,424 S		12/2005	Kim		
D521,996 S		5/2006	Kim et al.		
D521,997 S		5/2006	Park et al.		
D522,509 S		6/2006	Park et al.		
D524,313 S		7/2006	Boo et al.		
D527,003 S		8/2006	Kim et al.		
D528,115 S		9/2006	Yoon		
D528,116 S		9/2006	Won et al.		
D529,910 S		10/2006	Ota		
D533,848 S		12/2006	Lee et al.		
D536,677 S		2/2007	Kim et al.		
D537,079 S		2/2007	Park		

D537,421 S	*	2/2007	Hwang et al.	.....	D14/126
D539,242 S		3/2007	Lee et al.		
D539,281 S		3/2007	Kim et al.		
D540,277 S		4/2007	Kim et al.		
D541,763 S		5/2007	Kim		
D542,746 S		5/2007	Kim		
D542,747 S		5/2007	Kim et al.		
D543,163 S		5/2007	Yang et al.		
D543,164 S		5/2007	Yang et al.		
D544,849 S		6/2007	Yang et al.		
D545,312 S		6/2007	Kim		
D545,313 S		6/2007	Kim		
D545,314 S		6/2007	Kim		
D545,315 S		6/2007	Kim		
D545,316 S		6/2007	Kim		

(Continued)

**OTHER PUBLICATIONS**

U.S. Appl. No. 29/256,593, Applicant: Jae-Beom Park, et al., filed Mar. 22, 2006 entitled LCD Monitor.

(Continued)

*Primary Examiner*—Raphael Barkai  
(74) *Attorney, Agent, or Firm*—Flynn, Thiel, Boutell & Tanis, P.C.

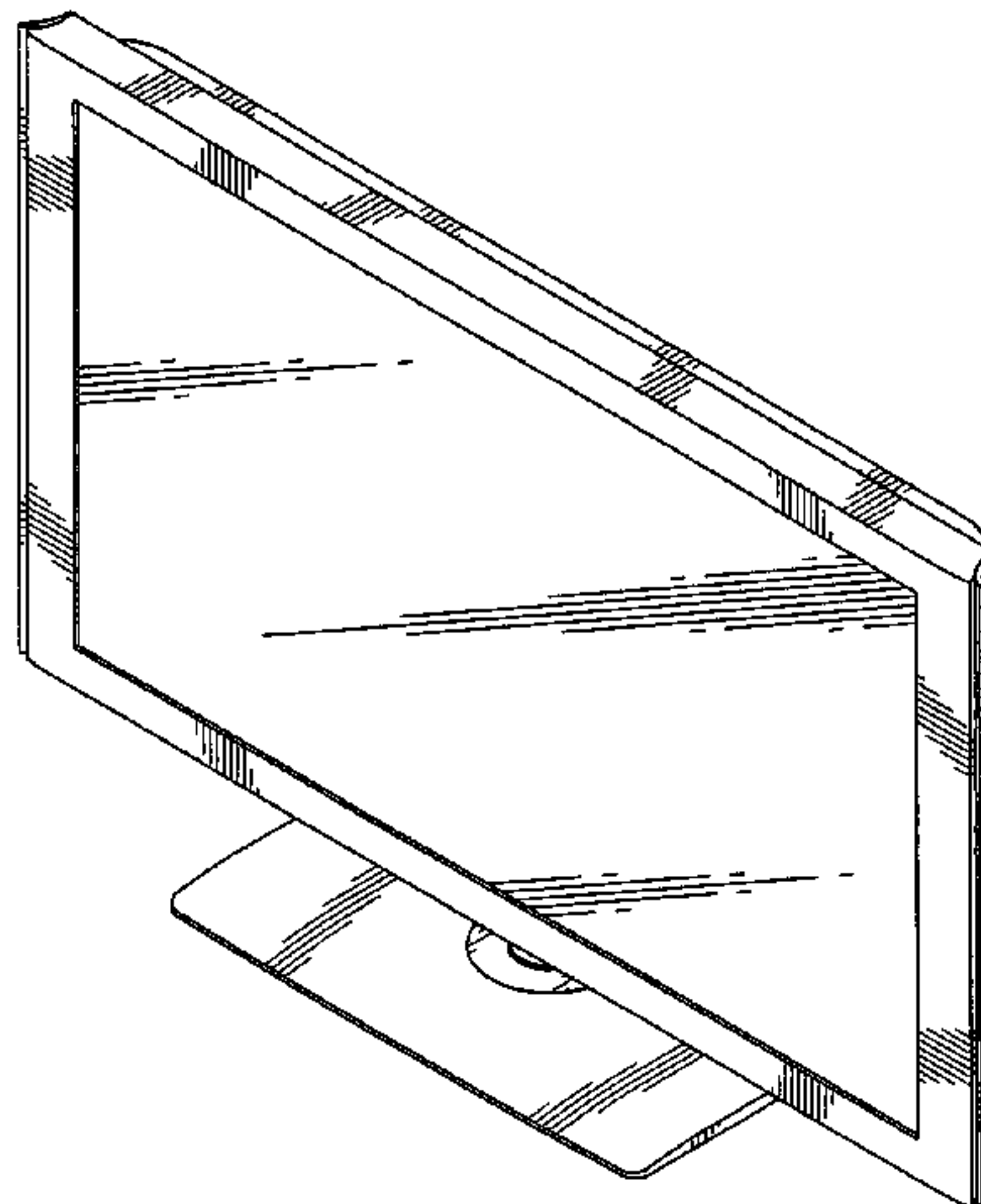
(57) **CLAIM**

The ornamental design for a PDP television receiver, as shown and described.

**DESCRIPTION**

FIG. 1 is a top front perspective view of a PDP television receiver showing our new design;  
FIG. 2 is a front elevational view thereof;  
FIG. 3 is a rear elevational view thereof;  
FIG. 4 is a left side elevational view thereof;  
FIG. 5 is a right side elevational view thereof;  
FIG. 6 is a top plan view thereof; and,  
FIG. 7 is a bottom plan view thereof.

**1 Claim, 4 Drawing Sheets**



U.S. PATENT DOCUMENTS

D545,776 S 7/2007 Kwon  
D545,820 S 7/2007 Won et al.  
D546,331 S 7/2007 Kim  
D547,276 S 7/2007 Yang et al.  
D547,313 S 7/2007 Kim  
D548,205 S 8/2007 Kim et al.  
D548,206 S 8/2007 Han  
D548,708 S 8/2007 Park et al.  
D549,647 S \* 8/2007 Nishizawa ..... D13/108  
D551,186 S 9/2007 Yang et al.

OTHER PUBLICATIONS

U.S. Appl. No. 29/263,587, Applicant: Yong-Joo Lee, et al., filed Jul. 26, 2006 entitled LCD Monitor.  
U.S. Appl. No. 29/263,583, Applicant: Ki-Soo Kim, et al., filed Jul. 26, 2006 entitled LCD Monitor.  
U.S. Appl. No. 29/286,895, Applicant: Seung-Ho Lee, et al., filed May 22, 2007 entitled LCD Television Set.  
U.S. Appl. No. 29/264,715, Applicant: Tetsu Kataoka, et al., filed Aug. 16, 2006 entitled LCD Monitor.  
U.S. Appl. No. 29/263,580, Applicant: Tae-Yeon Won, et al., filed Jul. 26, 2006 entitled LCD Monitor.  
U.S. Appl. No. 29/258,367, Applicant: Eui-Seok Kim, filed Apr. 20, 2006 entitled LCD Monitor.  
U.S. Appl. No. 29/265,880, Applicant: Eui-Seok Kim, et al., filed Sep. 11, 2006 entitled LCD Monitor.

U.S. Appl. No. 29/263,587, Applicant: Yong-Joo Lee, et al. entitled LCD Monitor.  
U.S. Appl. No. 29/263,582, Applicant: Jae-Beom Park, et al., filed Jul. 26, 2006 entitled LCD Monitor.  
U.S. Appl. No. 29/263,585, Applicant: Seung-Ho Lee, et al., filed Jul. 26, 2006 entitled LCD Television Set.  
U.S. Appl. No. 29/269,009, Applicant: Jun-Ho Yang, et al., filed Nov. 17, 2006 entitled PDP Television Receiver.  
U.S. Appl. No. 29/269,015, Applicant: Jun-Ho Yang, et al., filed Nov. 17, 2006 entitled PDP Television Receiver.  
U.S. Appl. No. 29/269,013, Applicant: Jun-Ho Yang, et al., filed Nov. 17, 2006 entitled LCD Television Set.  
U.S. Appl. No. 29/269,899, Applicant: Eui-Seok Kim, et al., filed Dec. 11, 2006 entitled LCD Monitor.  
U.S. Appl. No. 29/271,977, Applicant: Jae-Beom Park, et al., filed Jan. 30, 2007 entitled LCD Monitor.  
U.S. Appl. No. 29/271,976, Applicant: Kyoung-Hoon Kim, et al., filed Jan. 30, 2007 entitled LCD Television Set.  
U.S. Appl. No. 29/271,975, Applicant: Kyoung-Hoon Kim, et al., filed Jan. 30, 2007 entitled LCD Television Set.  
U.S. Appl. No. 29/286,893, Applicant: Seung-Ho Lee, et al., filed May 22, 2007 entitled LCD Television Set.  
U.S. Appl. No. 29/291,990, Applicant: Dong-Hee Won, et al., filed Sep. 25, 2007 entitled LCD Television Receiver.  
U.S. Appl. No. 29/291,993, Applicant: Jun-Ho Yang, et al., filed Sep. 25, 2007 entitled PDP Television Receiver.

\* cited by examiner

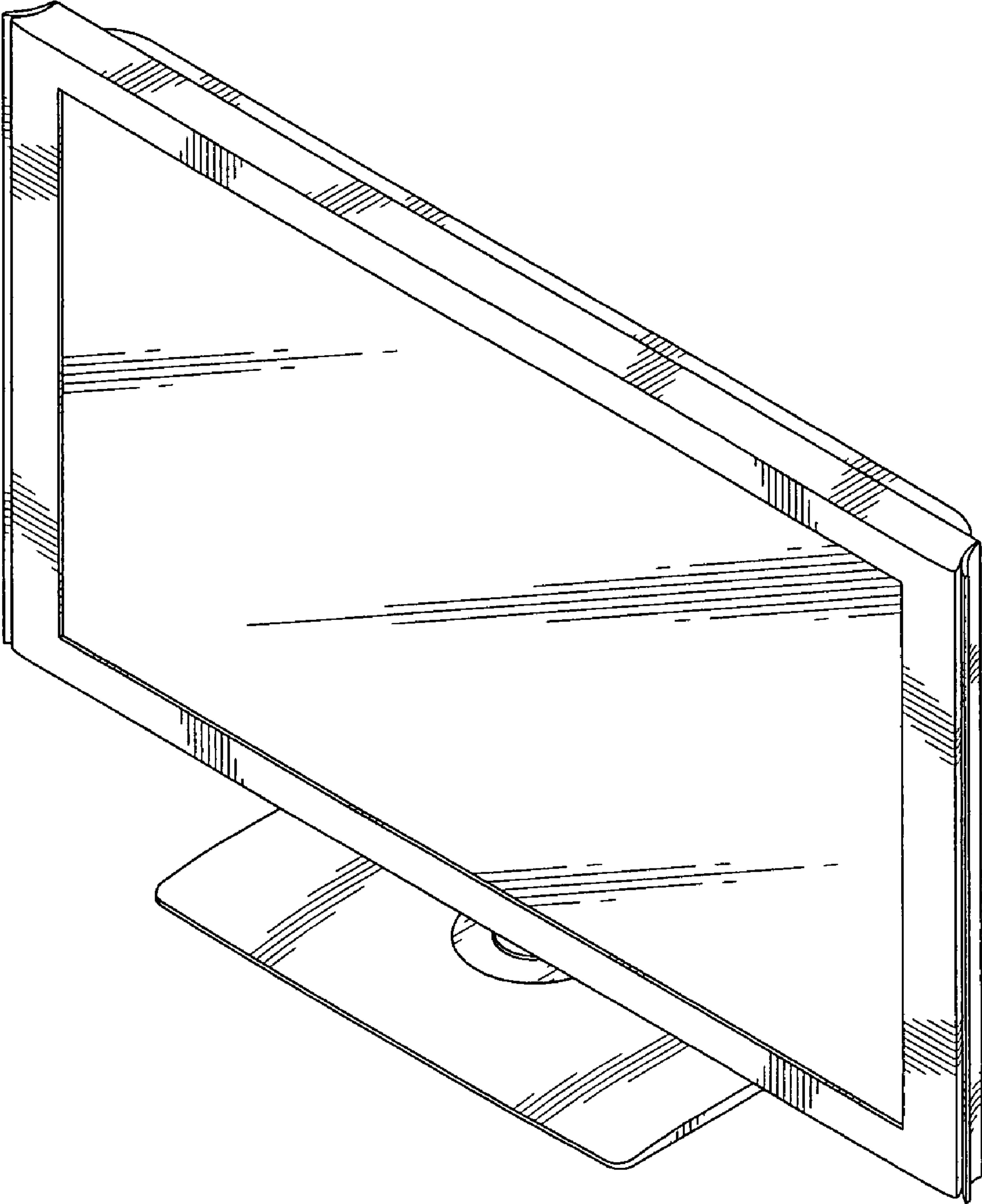


FIG. 1



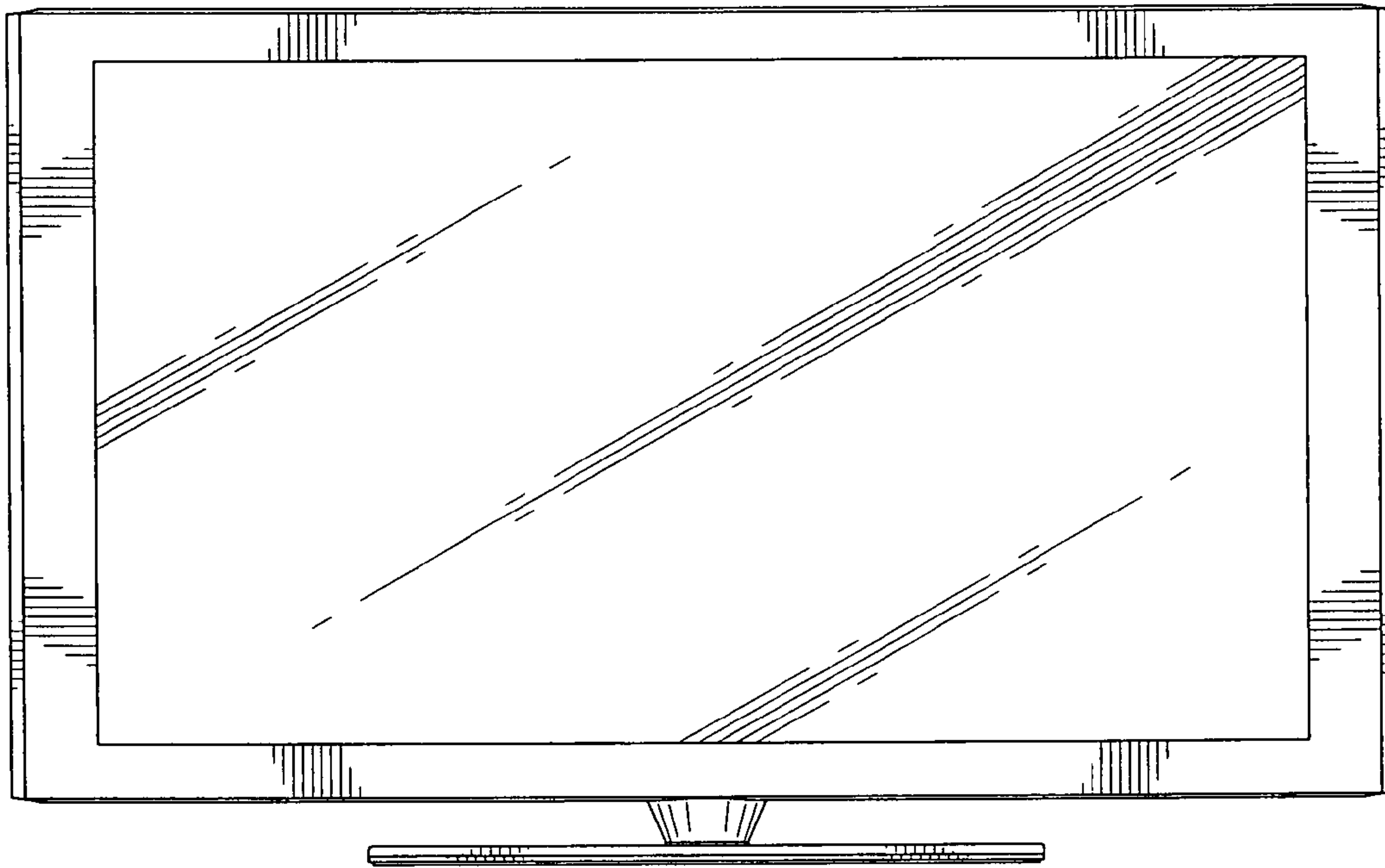


FIG. 2

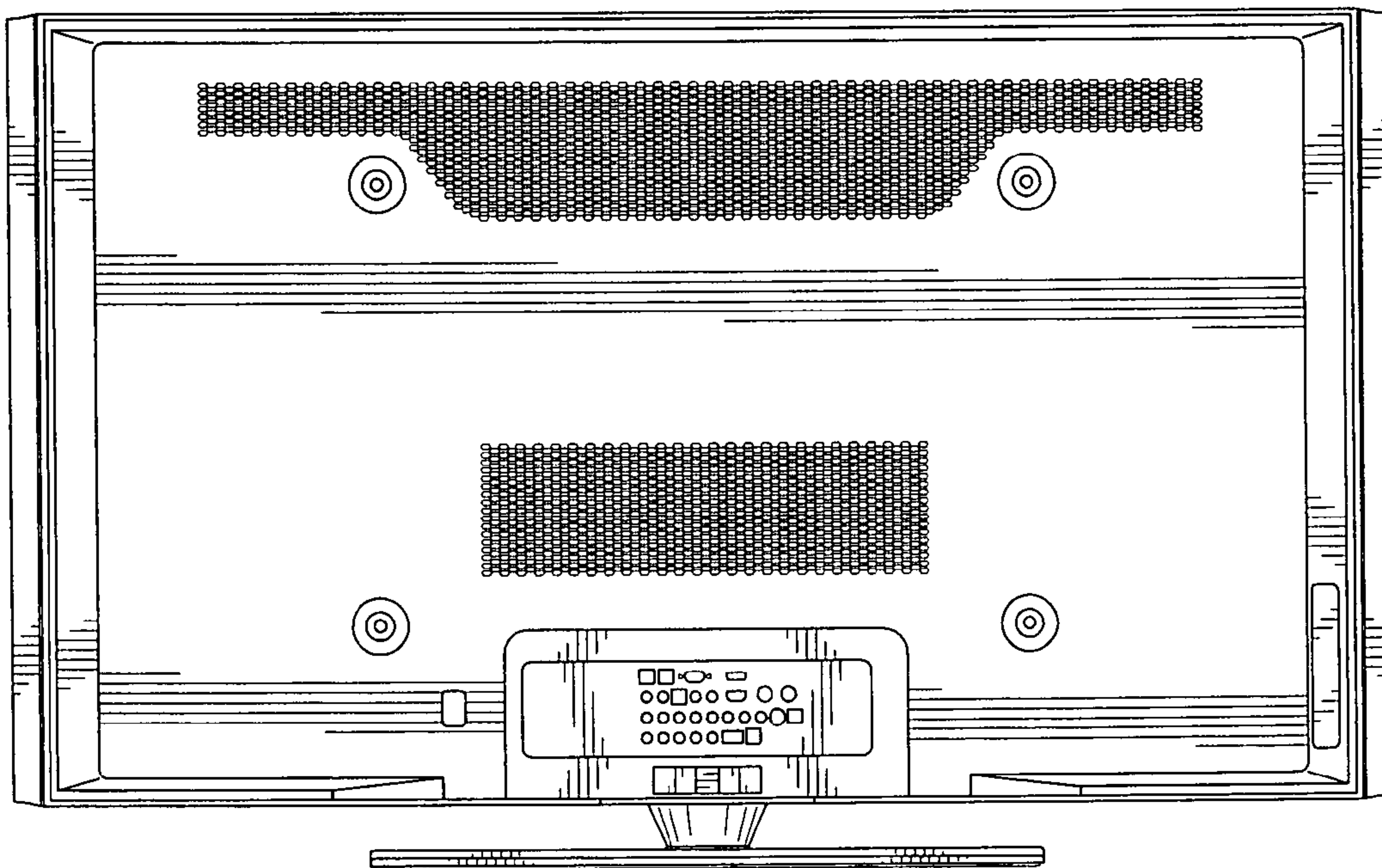


FIG. 3

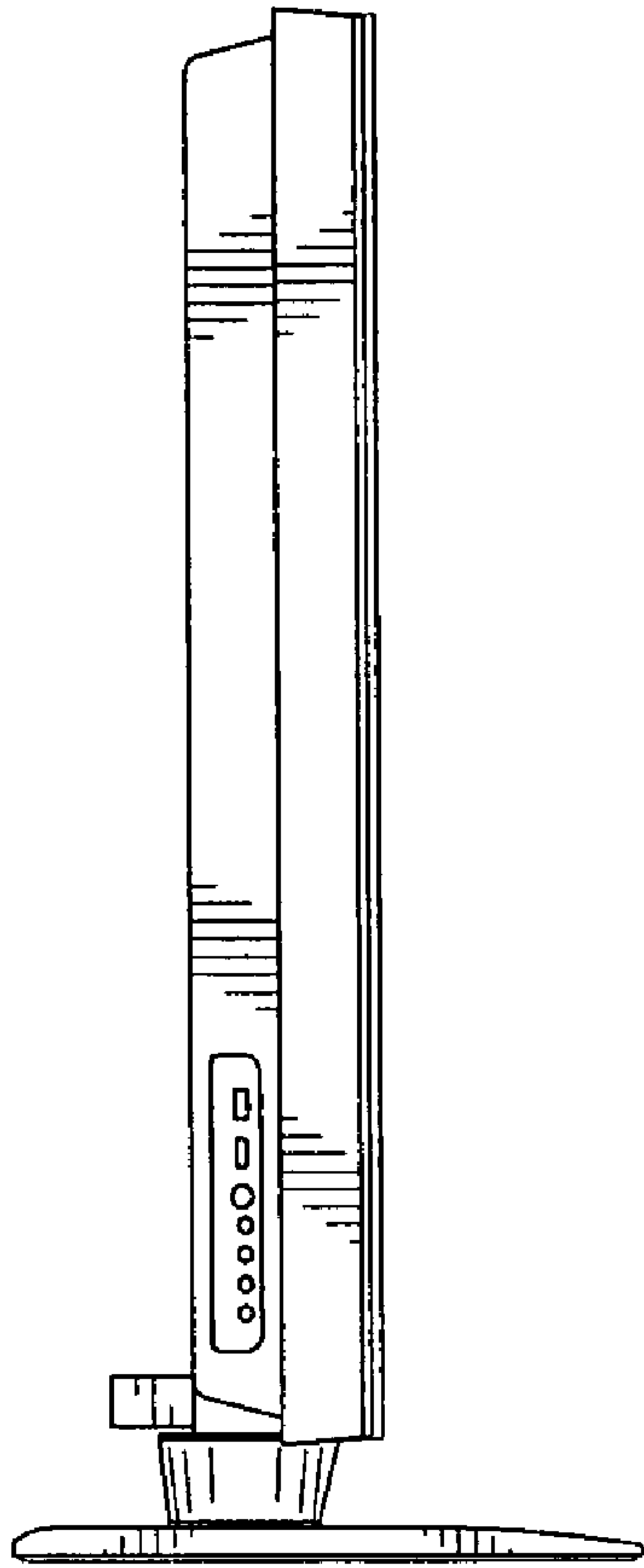


FIG. 4

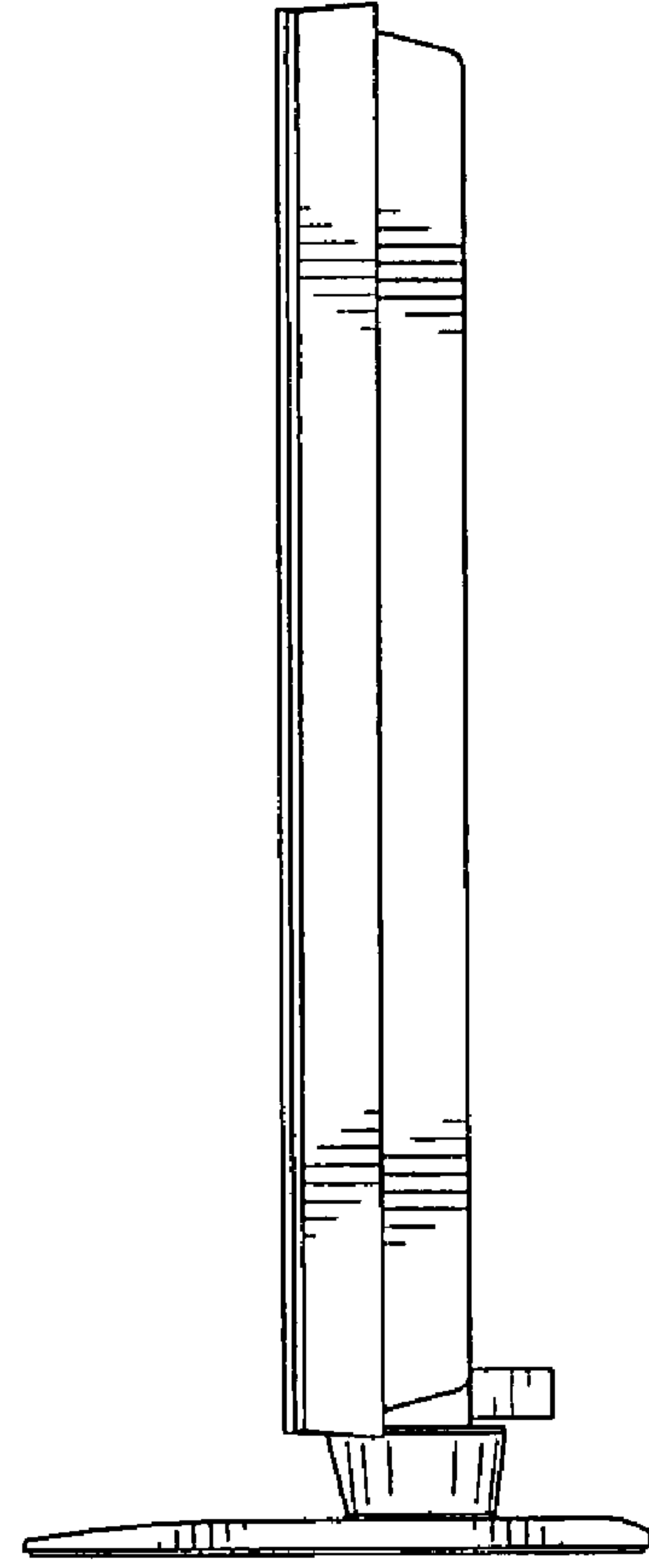


FIG. 5

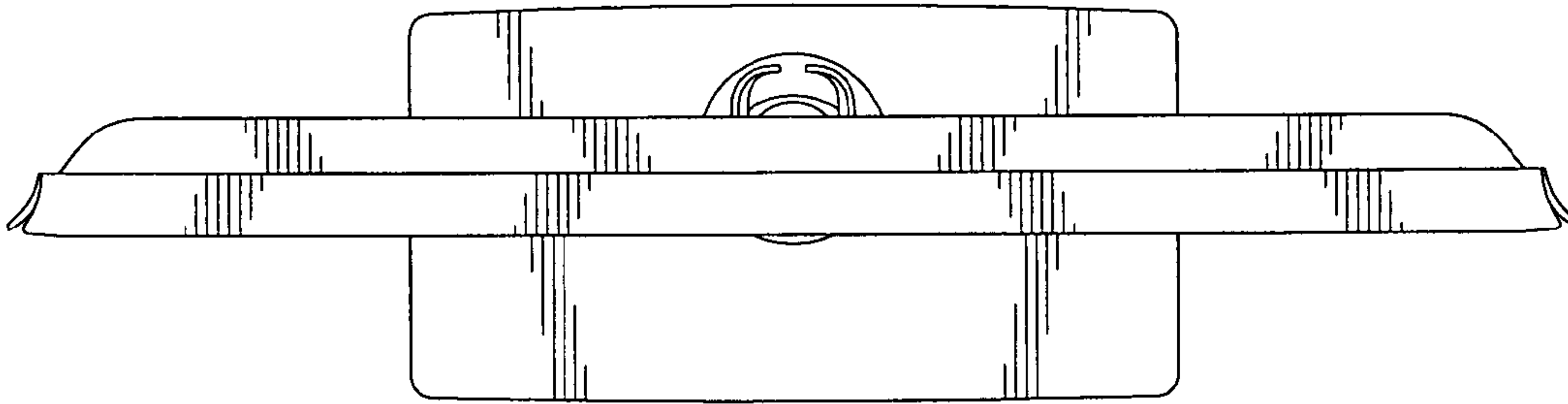


FIG. 6

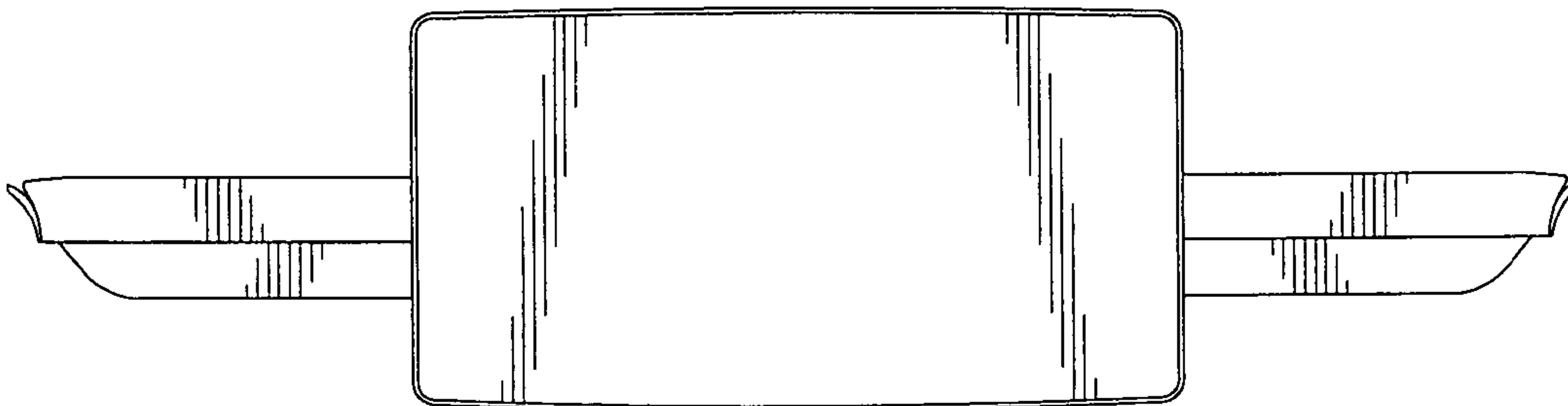


FIG. 7