



US00D573117S

(12) **United States Design Patent**
Niitsu

(10) **Patent No.:** **US D573,117 S**
(45) **Date of Patent:** **** Jul. 15, 2008**

(54) **FRAME FOR TELEVISION RECEIVER**

(75) Inventor: **Takuya Niitsu**, Tokyo (JP)

(73) Assignee: **Sony Corporation**, Tokyo (JP)

(**) Term: **14 Years**

(21) Appl. No.: **29/260,577**

(22) Filed: **May 30, 2006**

(30) **Foreign Application Priority Data**

Nov. 30, 2005 (JP) D2005-035383

(51) **LOC (8) Cl.** **14-03**

(52) **U.S. Cl.** **D14/126**

(58) **Field of Classification Search** D14/125-134,
D14/239, 379, 371, 374, 375, 276, 113; D13/151,
D13/153; 312/7.2; 348/836, 838, 180, 184,
348/325, 739; 341/12; 248/917-924; 345/104,
345/133, 156, 168, 87, 173; 349/1, 2, 11,
349/62

See application file for complete search history.

(56) **References Cited**

U.S. PATENT DOCUMENTS

D303,814 S * 10/1989 Beck D20/39
D348,155 S * 6/1994 McCreary et al. D3/295
D370,450 S * 6/1996 Doan D12/193
D396,562 S * 8/1998 Kenney D6/314
D460,984 S * 7/2002 McGowan D19/90

D463,212 S * 9/2002 Hwang D7/402
D535,256 S * 1/2007 Fort et al. D13/139.3
D552,357 S * 10/2007 Fu D6/300
D552,570 S * 10/2007 Niitsu D14/126

FOREIGN PATENT DOCUMENTS

JP D1192955 S 12/2003
KR 30-0250783-0000 11/1999

* cited by examiner

Primary Examiner—Raphael Barkai

Assistant Examiner—Randall H Gholson

(74) *Attorney, Agent, or Firm*—Rader, Fishman & Grauer, PLLC

(57) **CLAIM**

The ornamental design for a frame for television receiver, as shown and described.

DESCRIPTION

FIG. 1 is a perspective view of a frame for television receiver showing my new design;

FIG. 2 is a front elevational view thereof;

FIG. 3 is a rear elevational view thereof;

FIG. 4 is a right side elevational view thereof, the left side elevational view being a mirror image thereof; and,

FIG. 5 is a top plan view thereof, the bottom plan view being a mirror image thereof.

1 Claim, 5 Drawing Sheets

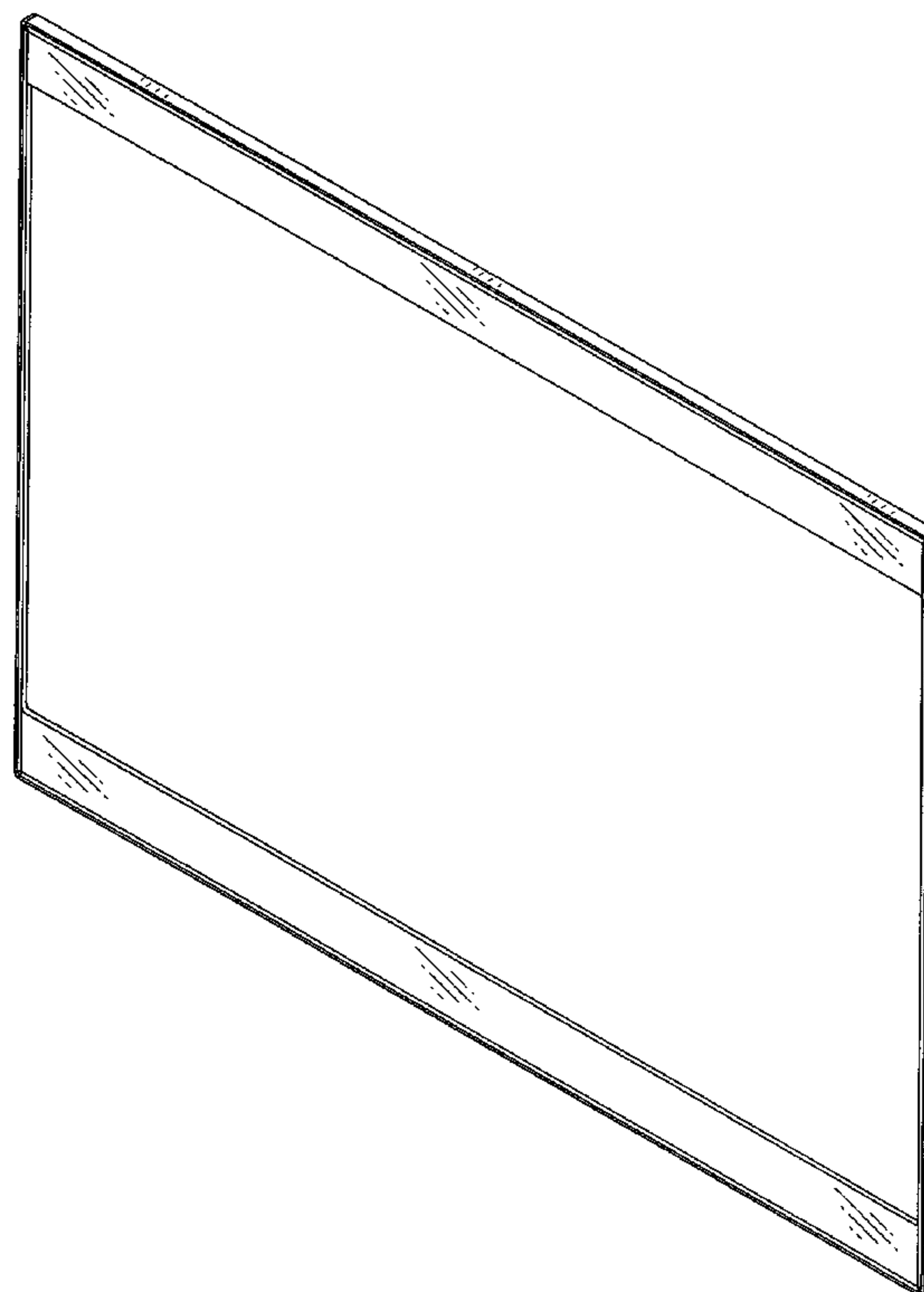


Fig.1

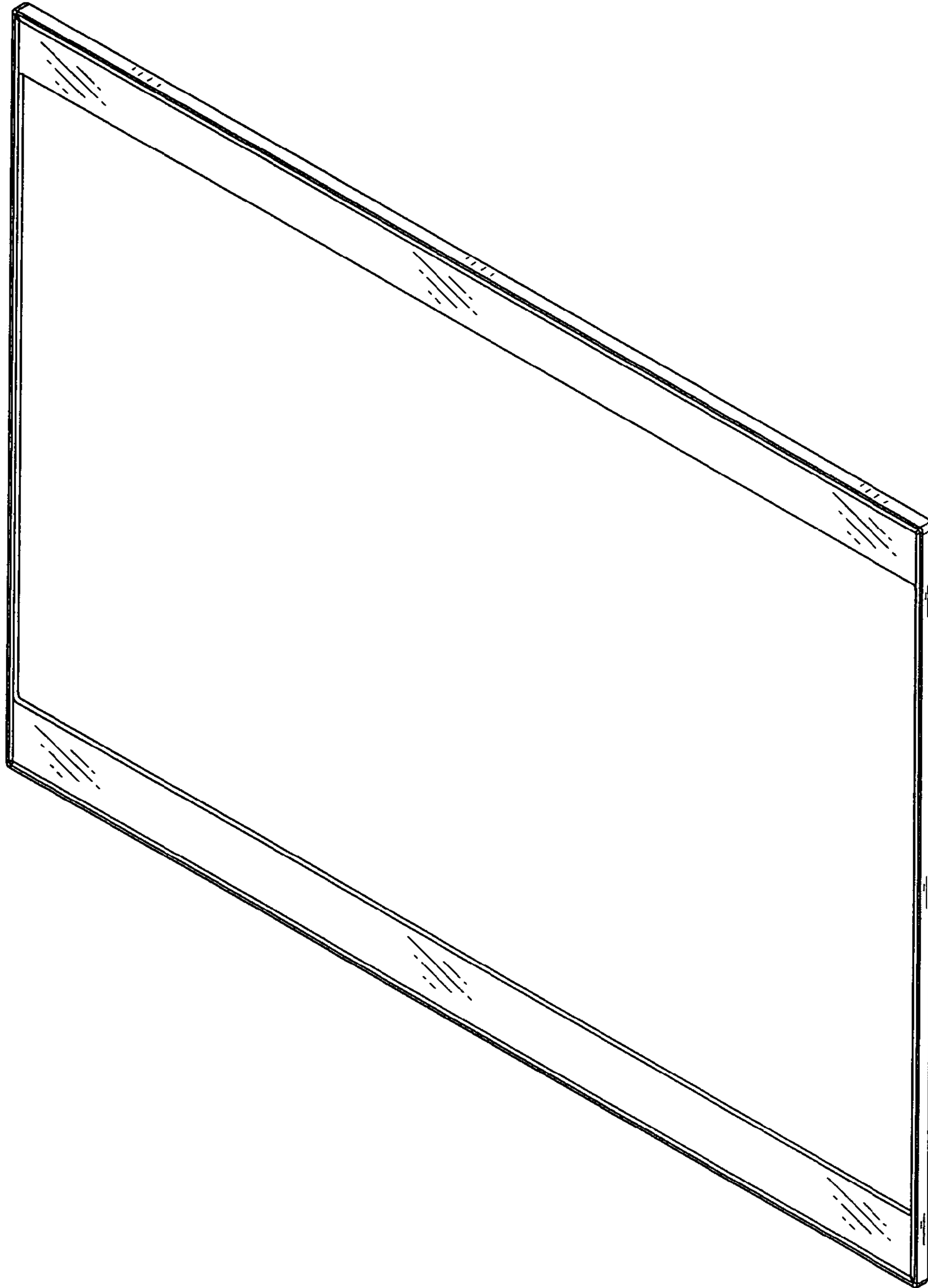


Fig.2

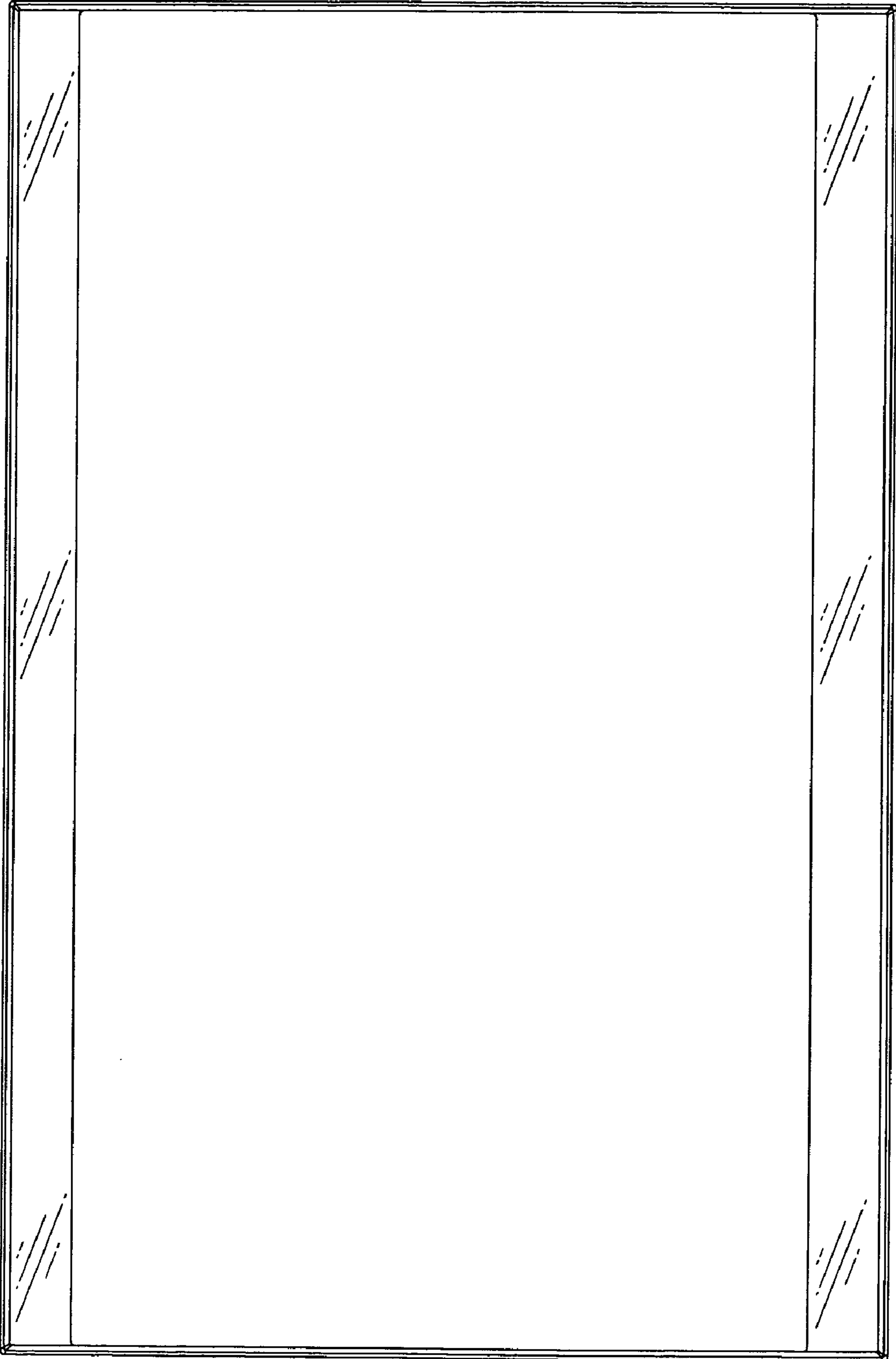


Fig.3

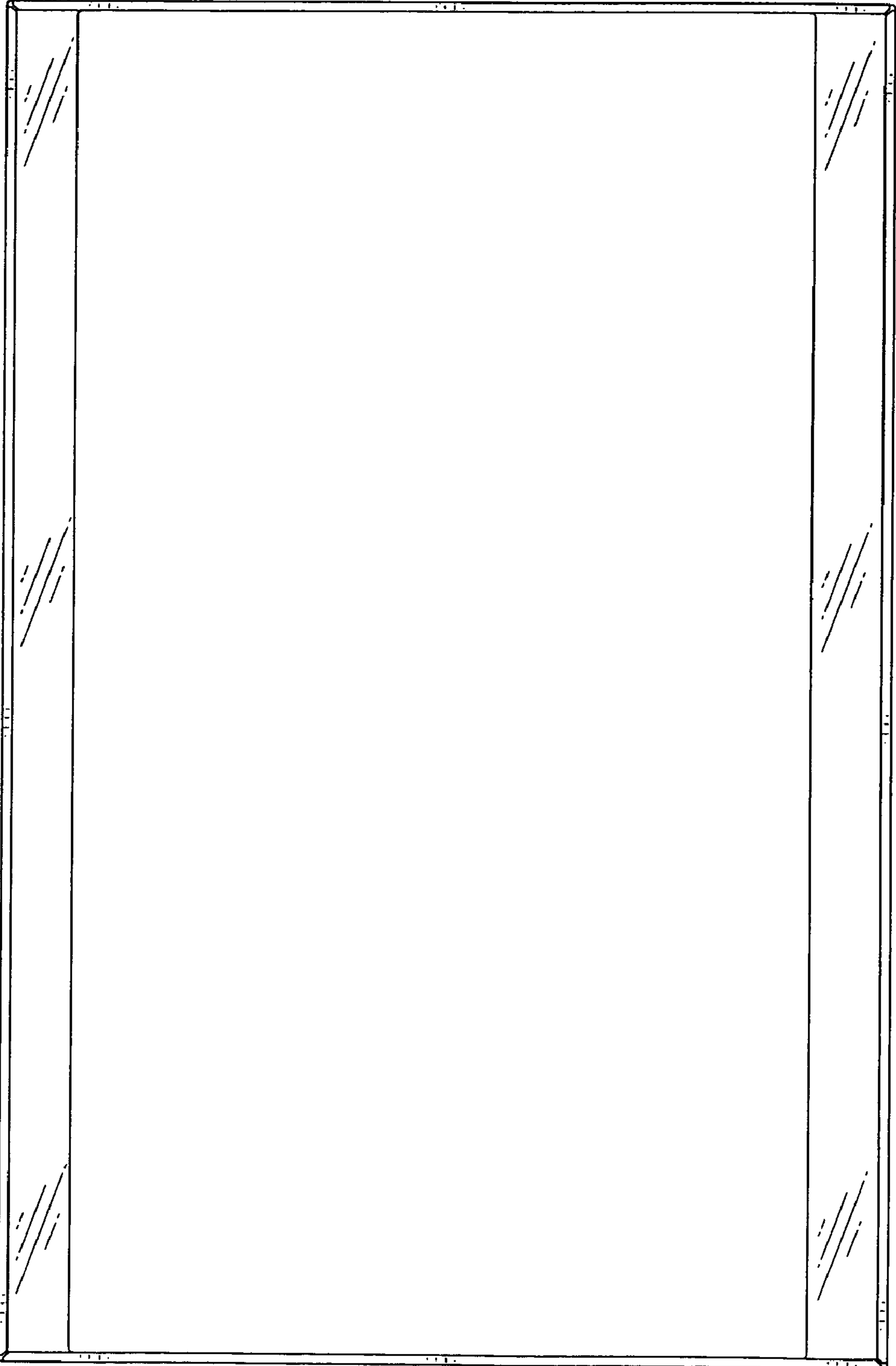


Fig.4



Fig. 5

