



US00D573114S

(12) **United States Design Patent**
Min et al.

(10) **Patent No.:** **US D573,114 S**
(45) **Date of Patent:** **** Jul. 15, 2008**

(54) **LIGHT-EMITTING DIODE**

(75) Inventors: **Bong Girl Min**, Gyunggi-do (KR);
Kyung Tae Kim, Gyunggi-do (KR)

(73) Assignee: **Samsung Electro-Mechanics Co., Ltd.**,
Gyunggi-Do (KR)

(**) Term: **14 Years**

(21) Appl. No.: **29/287,262**

(22) Filed: **Jul. 17, 2007**

(30) **Foreign Application Priority Data**

May 4, 2007 (KR) 30-2007-0019606

(51) **LOC (8) Cl.** **13-03**

(52) **U.S. Cl.** **D13/180**

(58) **Field of Classification Search** D13/180;
D26/2; 257/79, 80, 81, 88, 89, 95, 98, 99,
257/100; 313/483, 498, 500; 362/555, 800
See application file for complete search history.

(56) **References Cited**

U.S. PATENT DOCUMENTS

D490,387 S * 5/2004 Yagi D13/182
D491,899 S * 6/2004 Yagi D13/180
D512,029 S * 11/2005 Kim et al. D13/180
2004/0256706 A1 * 12/2004 Nakashima 257/678
2006/0022215 A1 * 2/2006 Arndt et al. 257/99

2007/0241357 A1 * 10/2007 Yan 257/98
2007/0241362 A1 * 10/2007 Han et al. 257/100
2007/0246715 A1 * 10/2007 Shin et al. 257/79
2007/0262336 A1 * 11/2007 Tamaki et al. 257/98
2007/0267637 A1 * 11/2007 Kim et al. 257/81

FOREIGN PATENT DOCUMENTS

JP D 1218300 9/2004

* cited by examiner

Primary Examiner—Selina Sikder

(74) *Attorney, Agent, or Firm*—McDermott Will & Emery
LLP

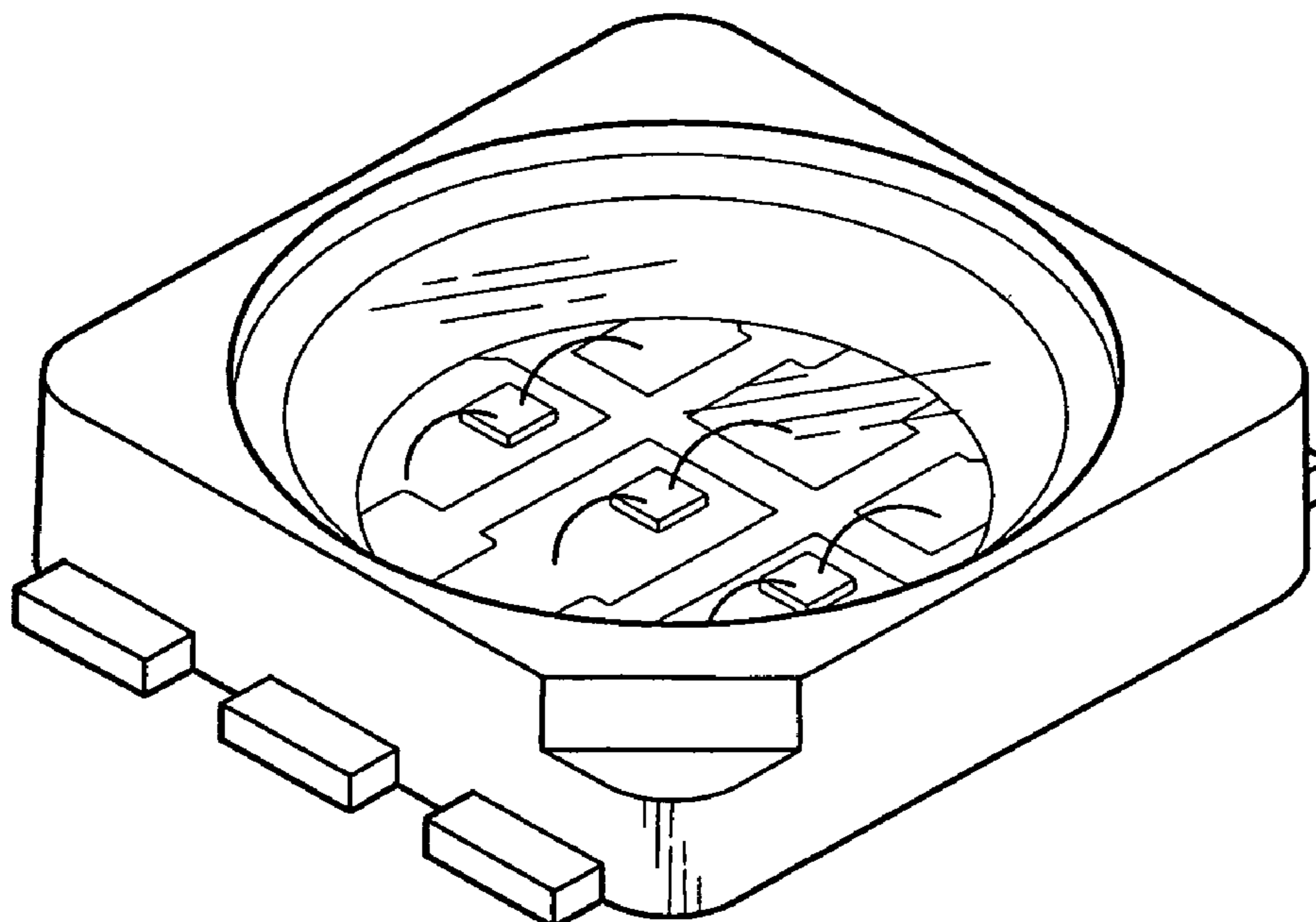
(57) **CLAIM**

The ornamental design for a light emitting diode, as shown
and described.

DESCRIPTION

FIG. 1 is a perspective view of the light emitting diode;
FIG. 2 is a front view thereof;
FIG. 3 is a rear view thereof;
FIG. 4 is a left side view thereof;
FIG. 5 is a right side view thereof;
FIG. 6 is a top plan view thereof;
FIG. 7 is a bottom view thereof; and,
FIG. 8 is a bottom perspective view thereof.

1 Claim, 3 Drawing Sheets



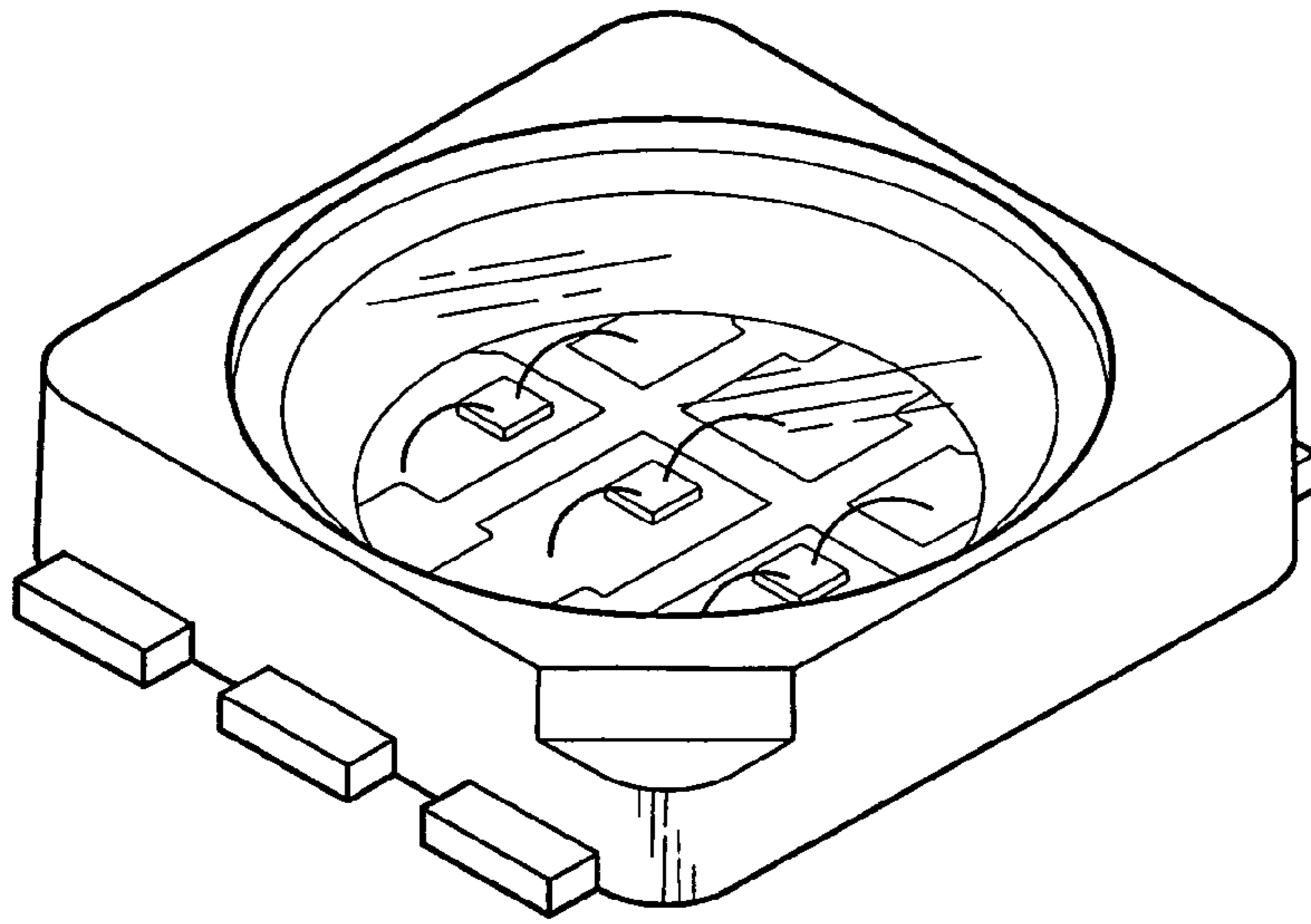


FIG. 1

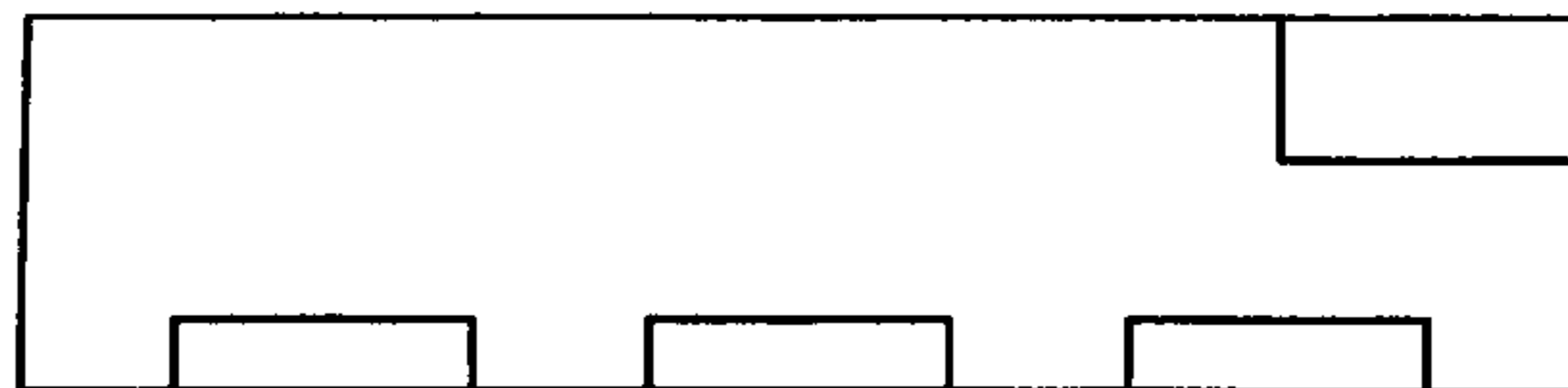


FIG. 2

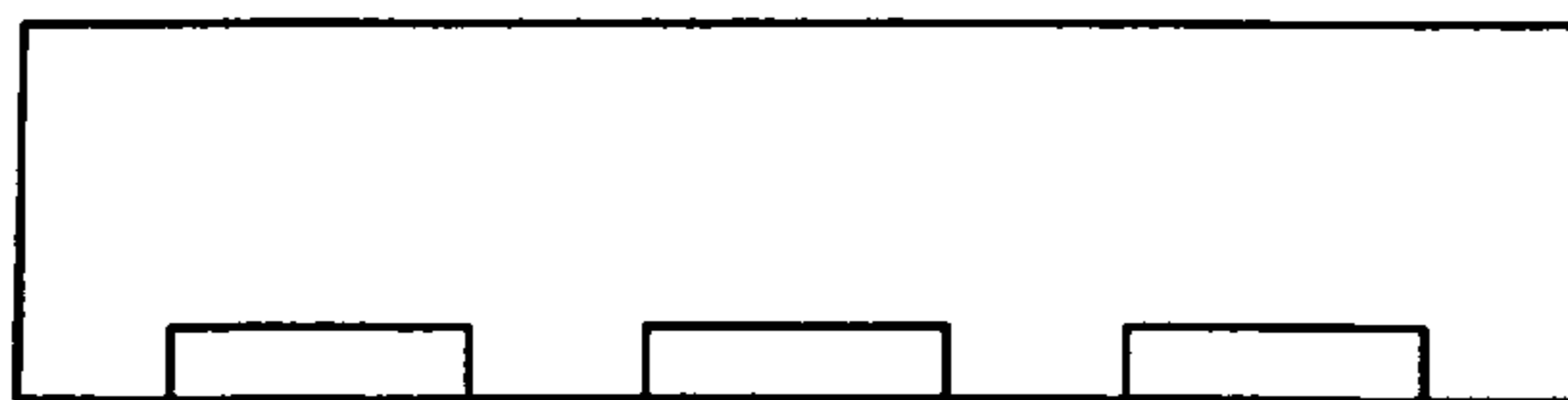


FIG. 3



FIG. 4



FIG. 5

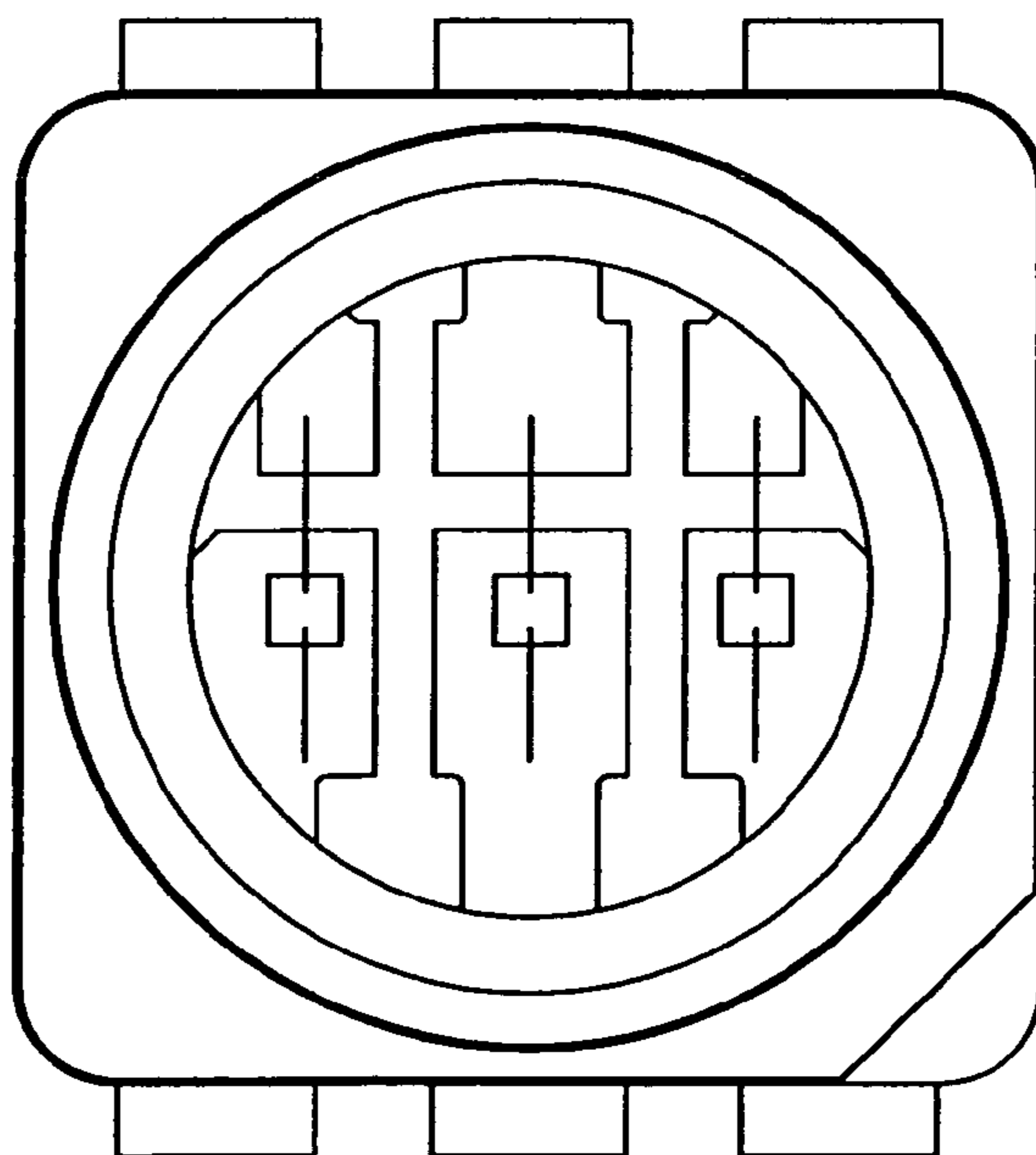


FIG. 6

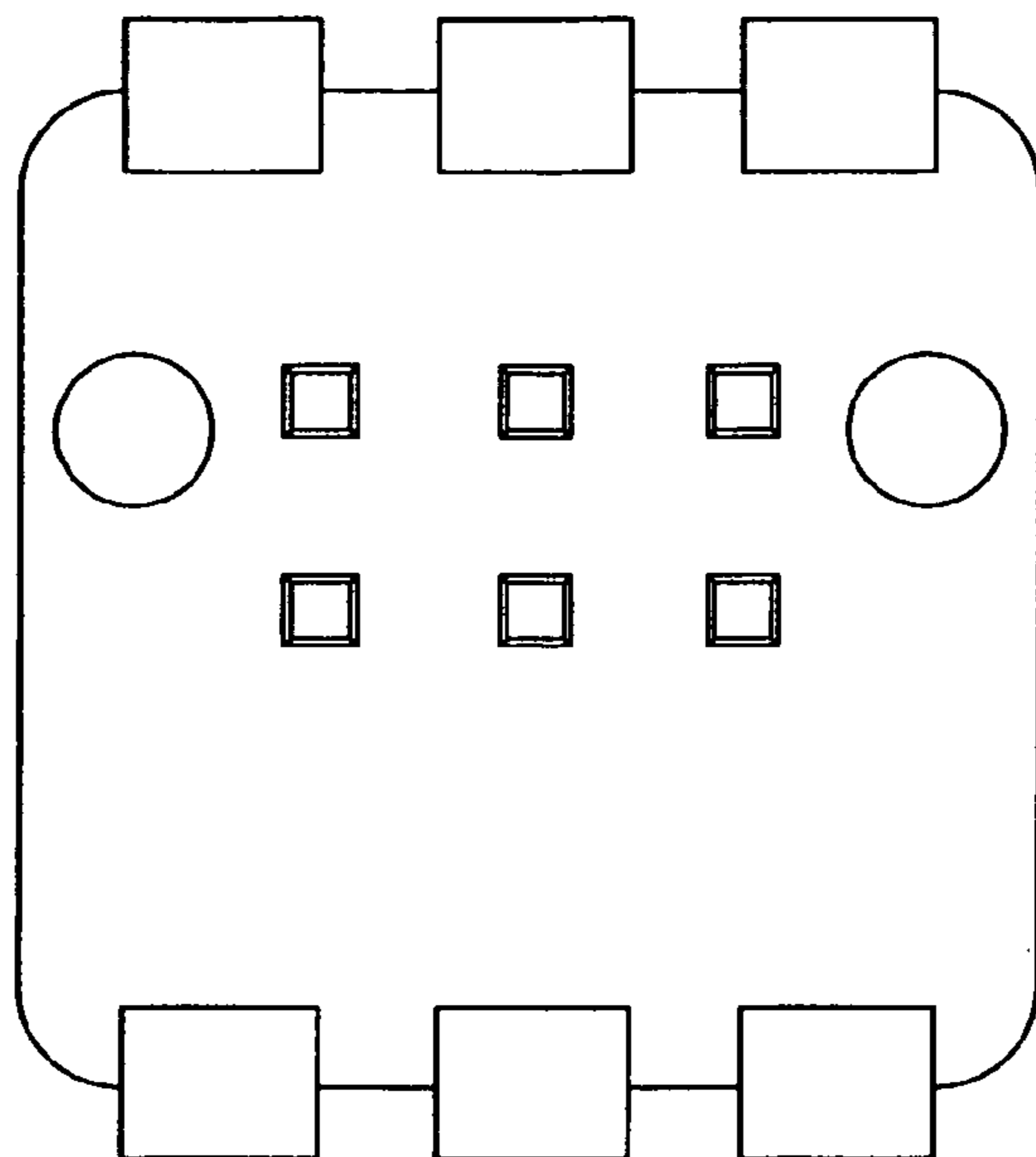


FIG. 7

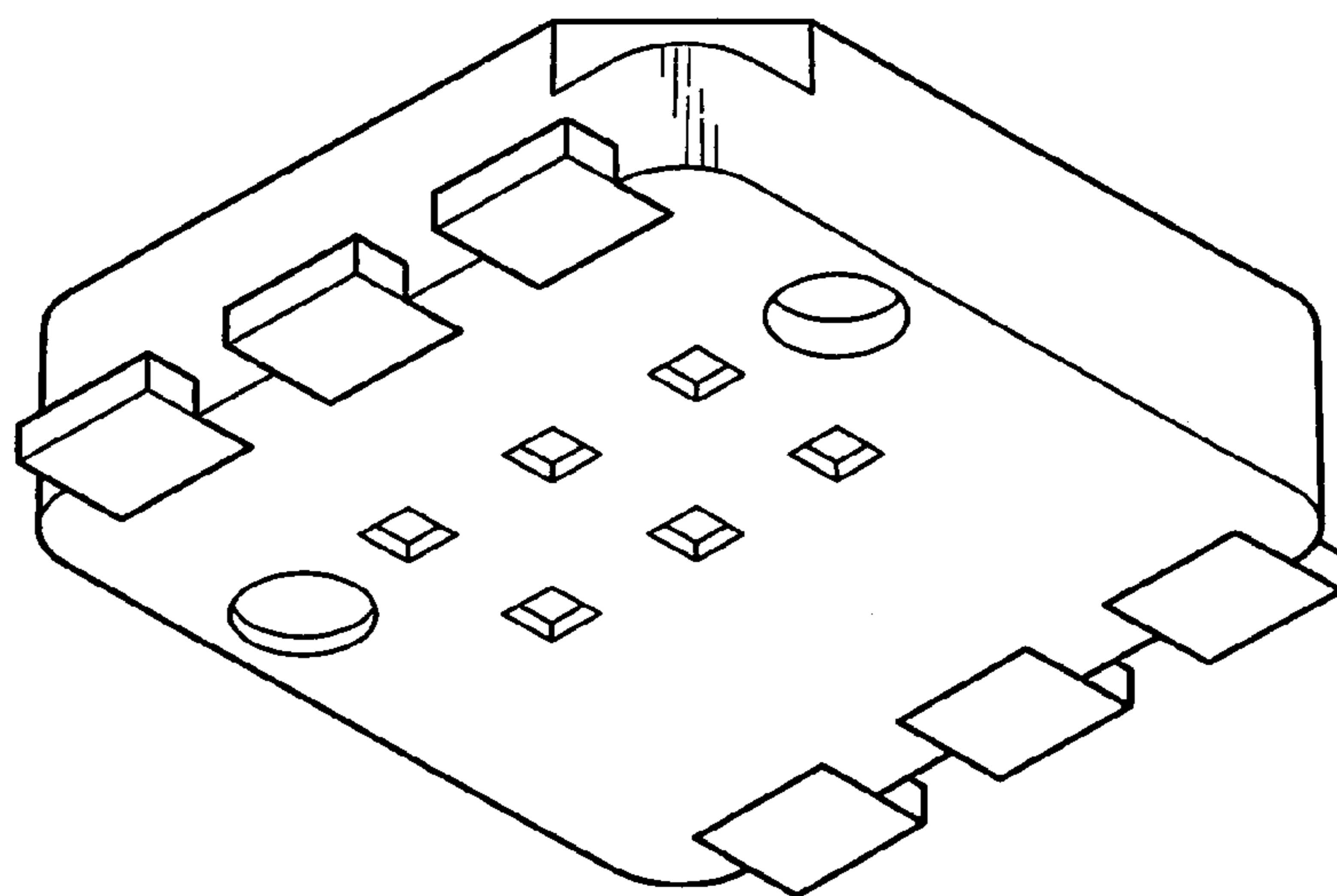


FIG. 8