



US00D573107S

(12) **United States Design Patent**
Shu et al.

(10) **Patent No.:** **US D573,107 S**
(45) **Date of Patent:** **** Jul. 15, 2008**

(54) **AUXILIARY FIXTURE FOR CONNECTOR OF MOTOR CABLE**

D441,343 S * 5/2001 Lee D13/120
D471,520 S * 3/2003 Liang D13/120
D471,865 S * 3/2003 Garvis et al. D13/120
D511,130 S * 11/2005 McCowin D13/120

(75) Inventors: **Hong-Cheng Shu**, Taoyuan Hsien (TW);
Chao-Ren Chen, Taoyuan Hsien (TW)

* cited by examiner

(73) Assignee: **Delta Electronics, Inc.**, Taoyuan (TW)

Primary Examiner—Brian N Vinson

(**) Term: **14 Years**

(57) **CLAIM**

(21) Appl. No.: **29/257,214**

The ornamental design for a auxiliary fixture for connector of motor cable, as shown and described.

(22) Filed: **Mar. 31, 2006**

(51) **LOC (8) Cl.** **13-02**

(52) **U.S. Cl.** **D13/156**

(58) **Field of Classification Search** D13/104,
D13/120, 133, 156; 439/762–765, 798, 907,
439/504, 507, 510

See application file for complete search history.

DESCRIPTION

FIG. 1 is a perspective view of a auxiliary fixture for connector of motor cable showing my new design;

FIG. 2 is a front view thereof;

FIG. 3 is a rear view thereof;

FIG. 4 is a left side view thereof;

FIG. 5 is a right side view thereof;

FIG. 6 is a top view thereof; and,

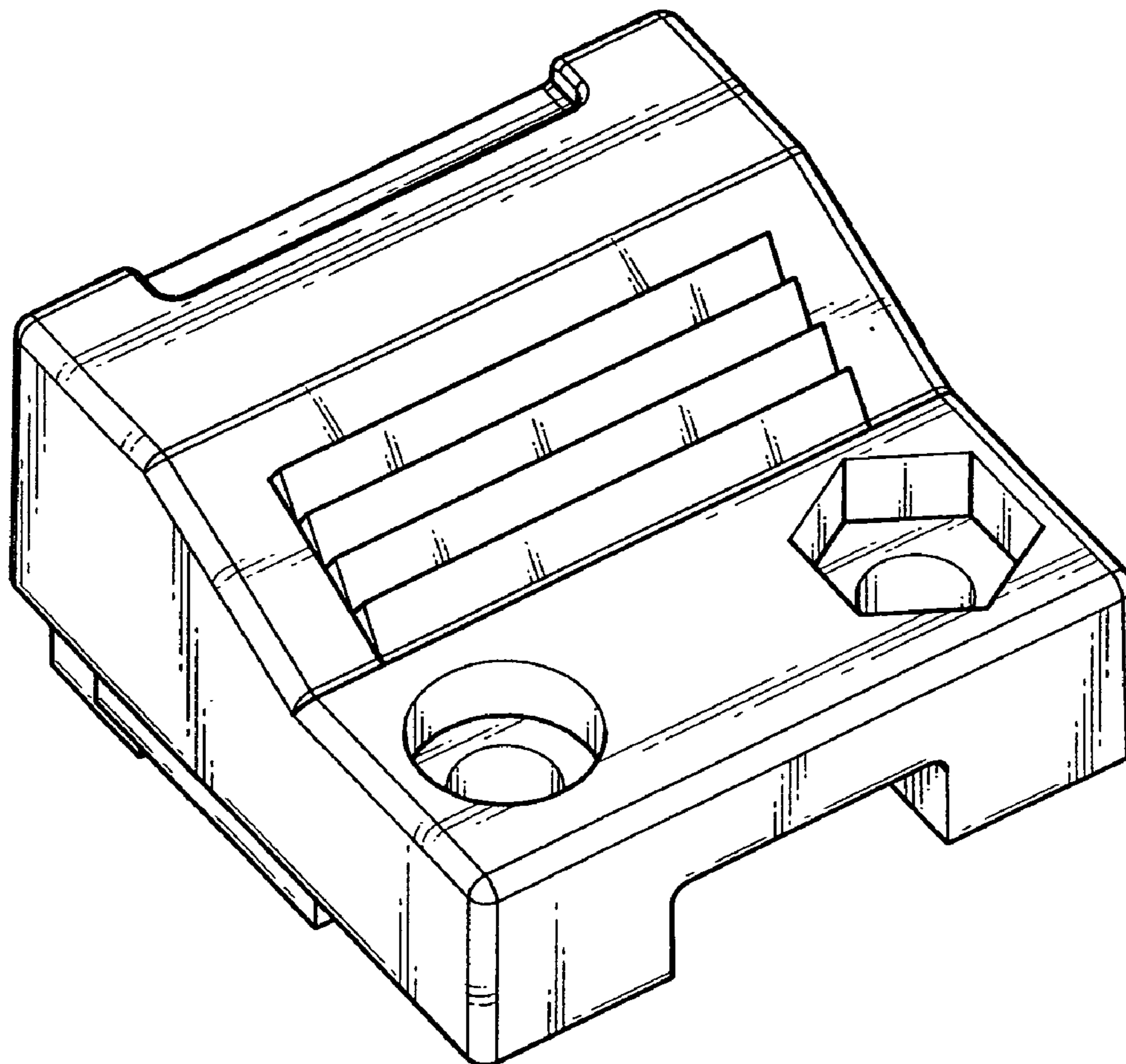
FIG. 7 is a bottom view thereof.

(56) **References Cited**

U.S. PATENT DOCUMENTS

D402,260 S * 12/1998 Awbrey D13/120
D404,028 S * 1/1999 Holbrook D13/120
5,877,609 A * 3/1999 Carter 439/765

1 Claim, 5 Drawing Sheets



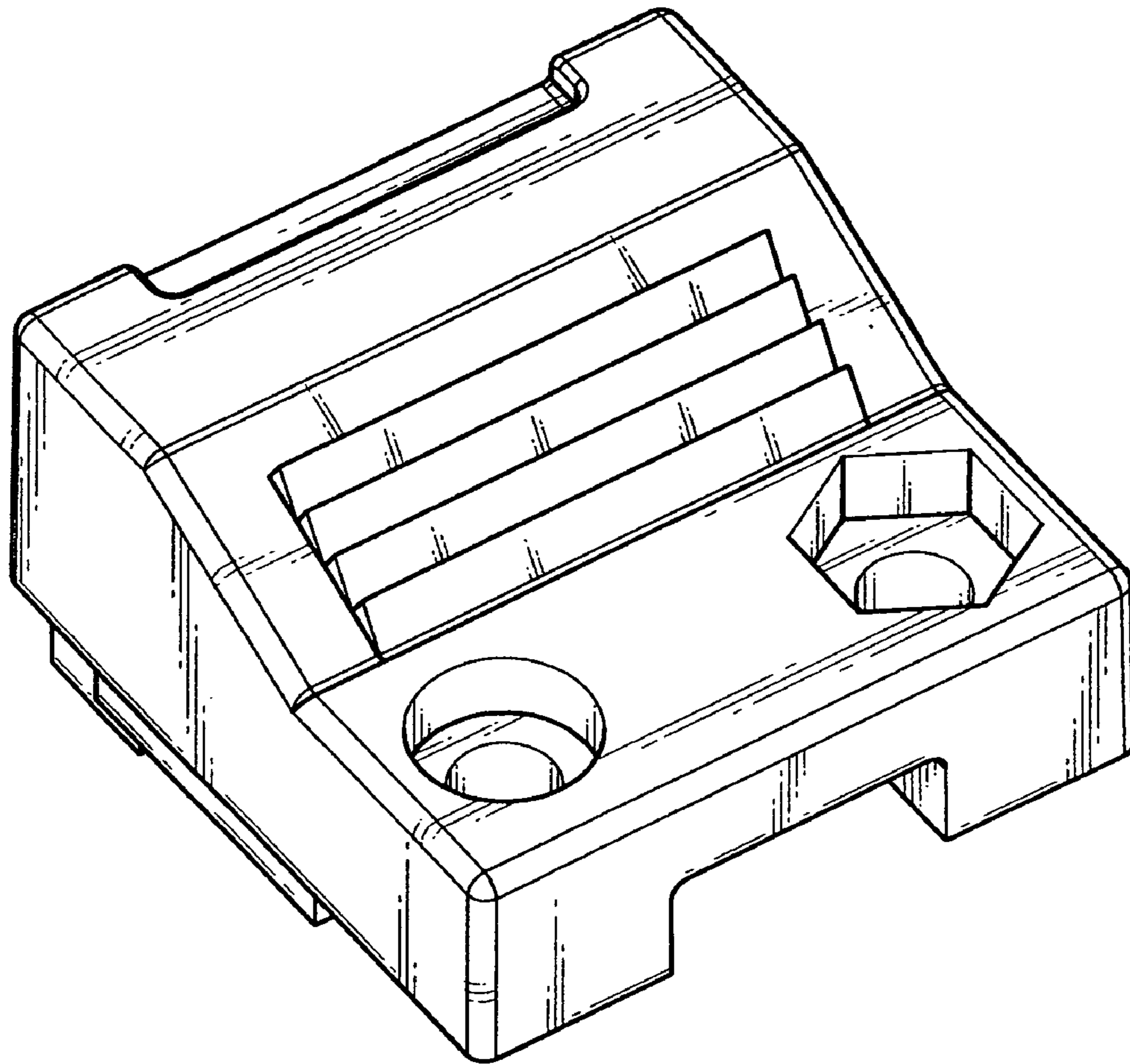


FIG. 1

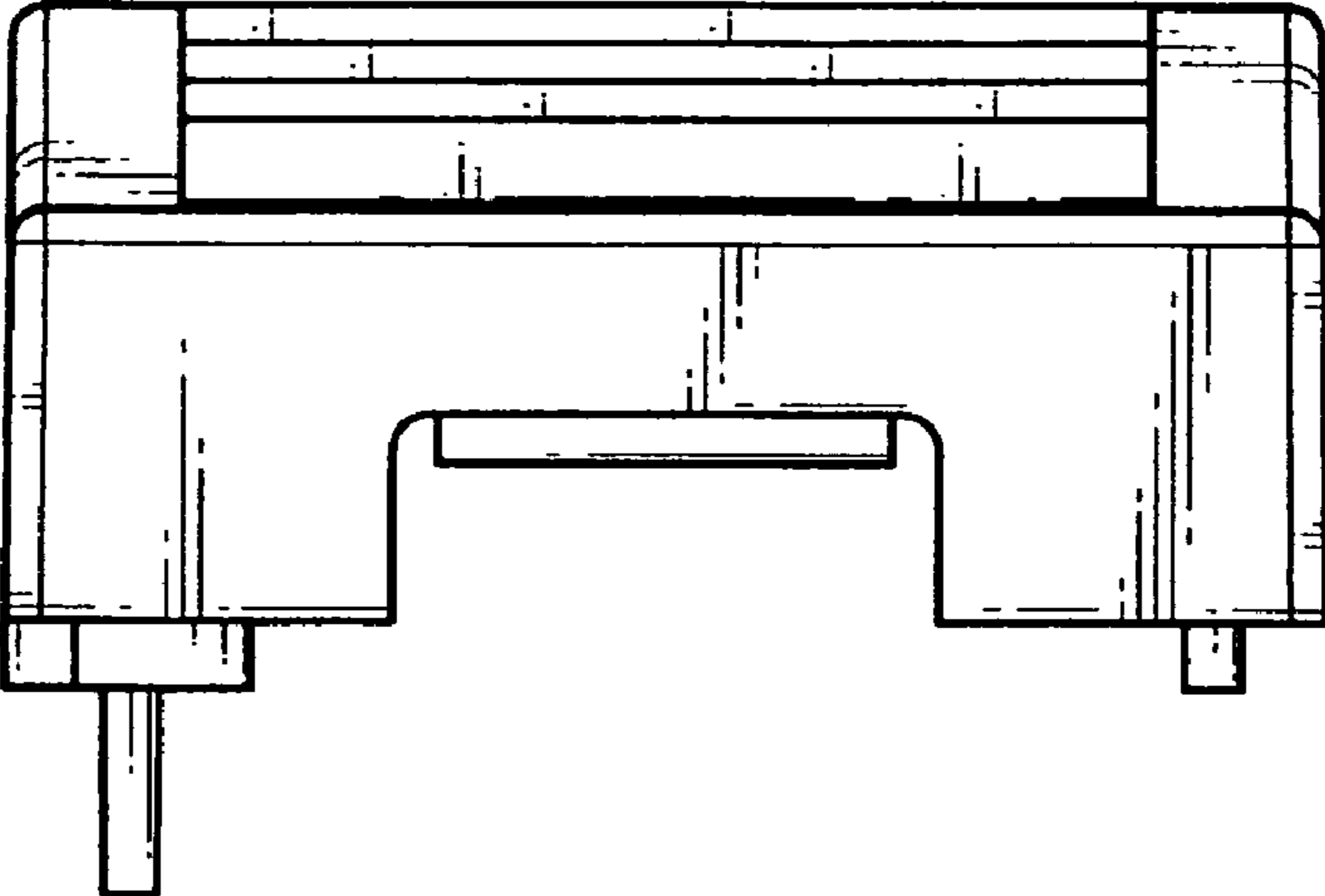


FIG. 2

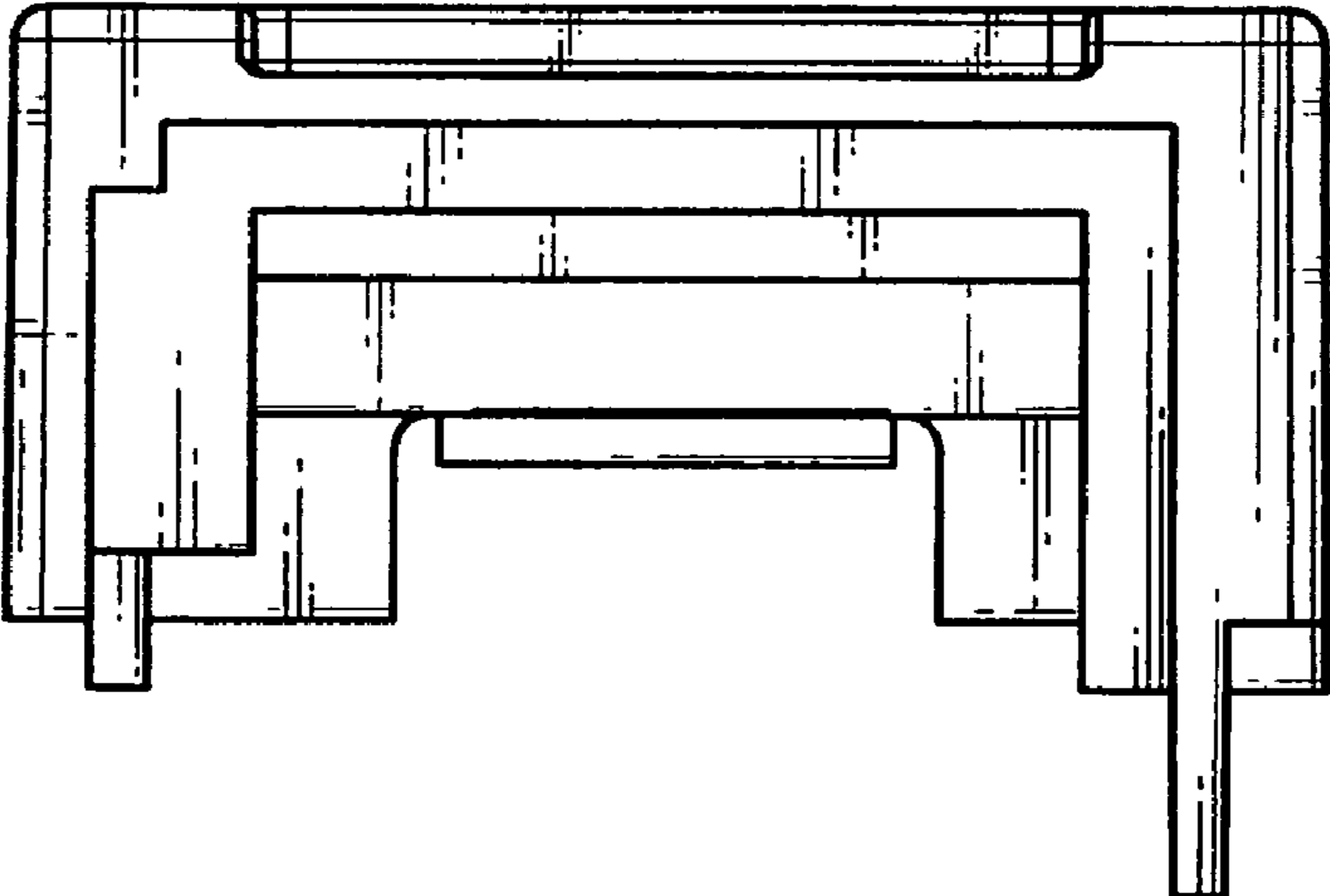


FIG. 3

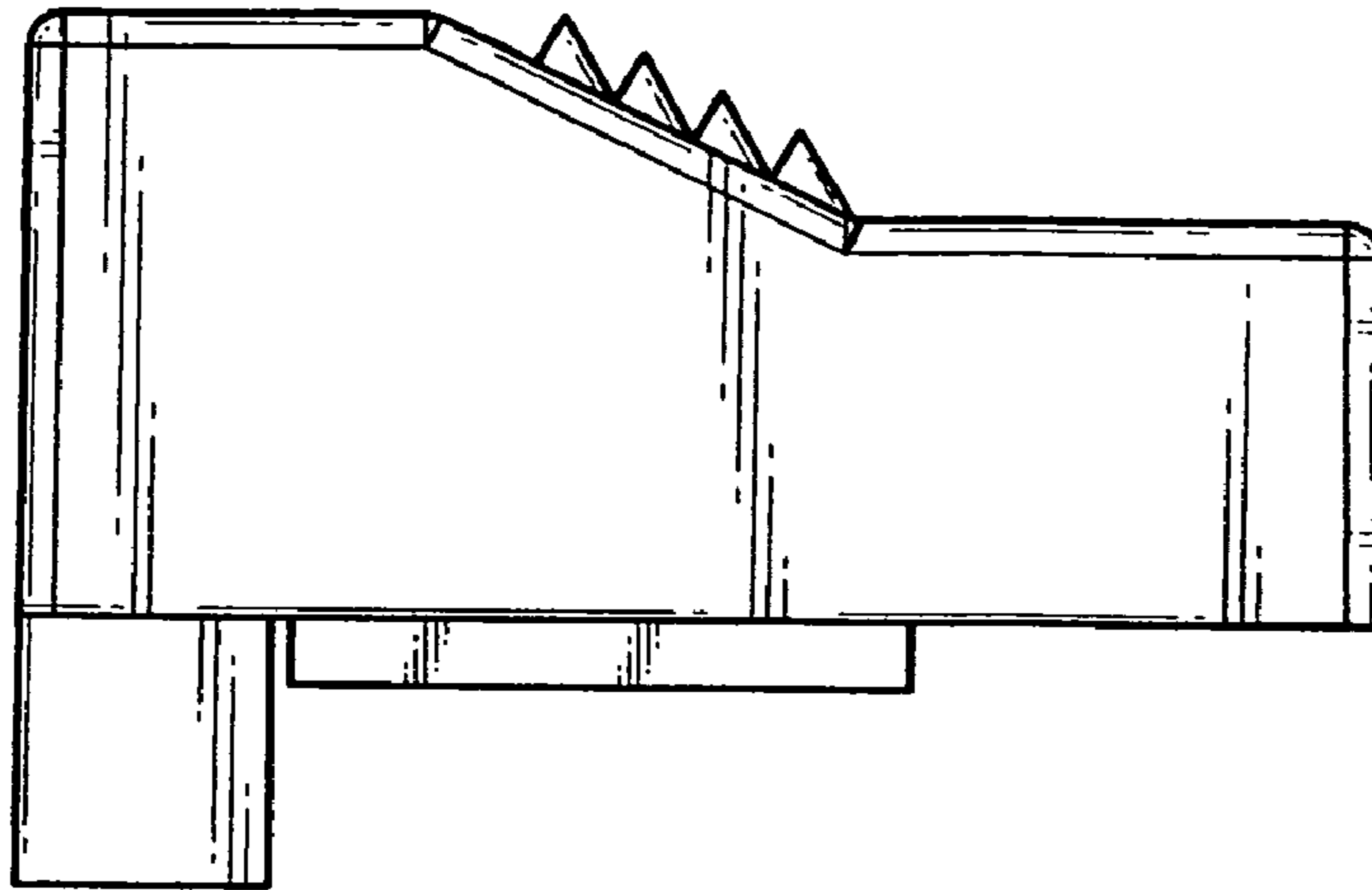


FIG. 4

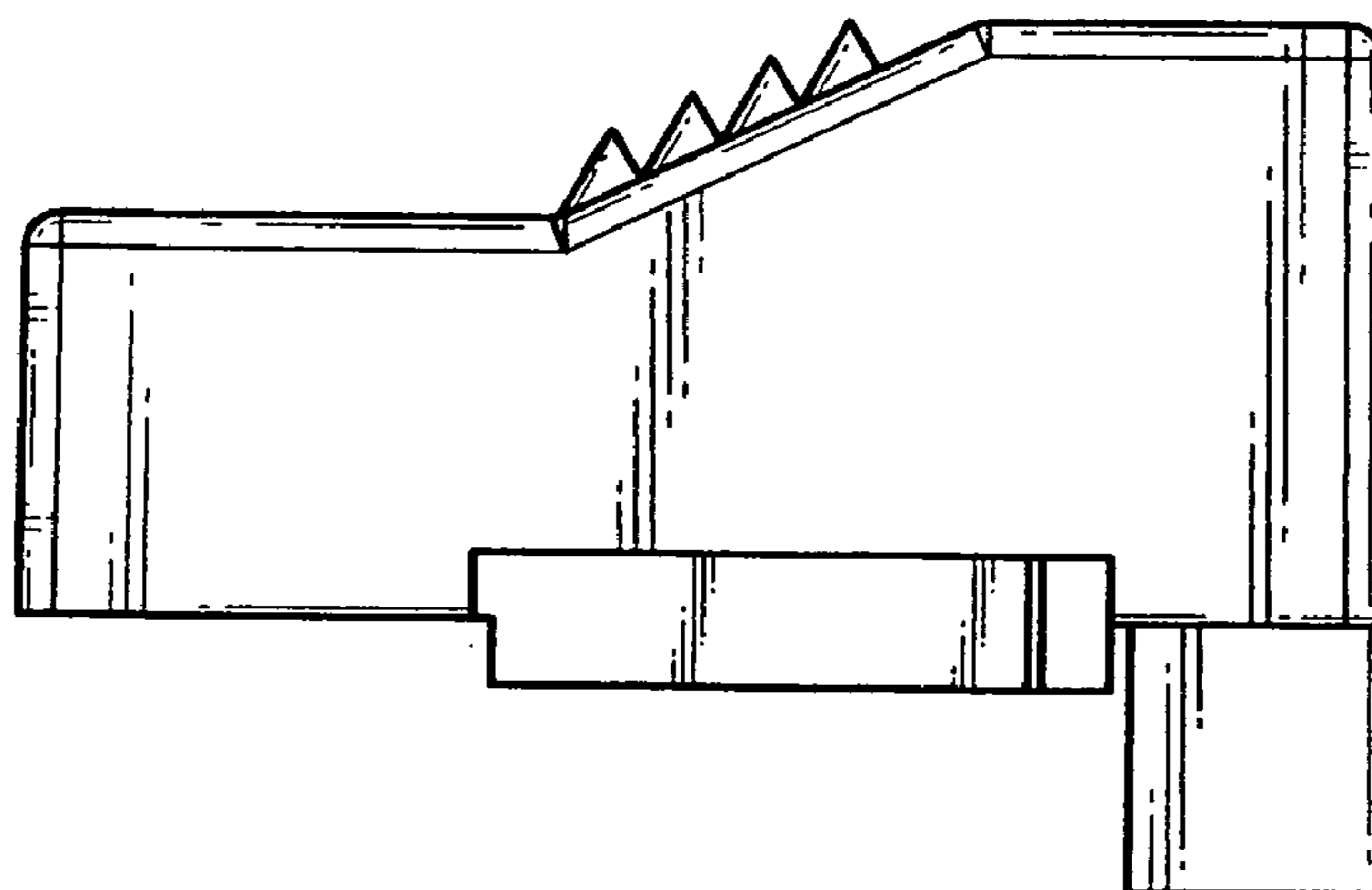


FIG. 5

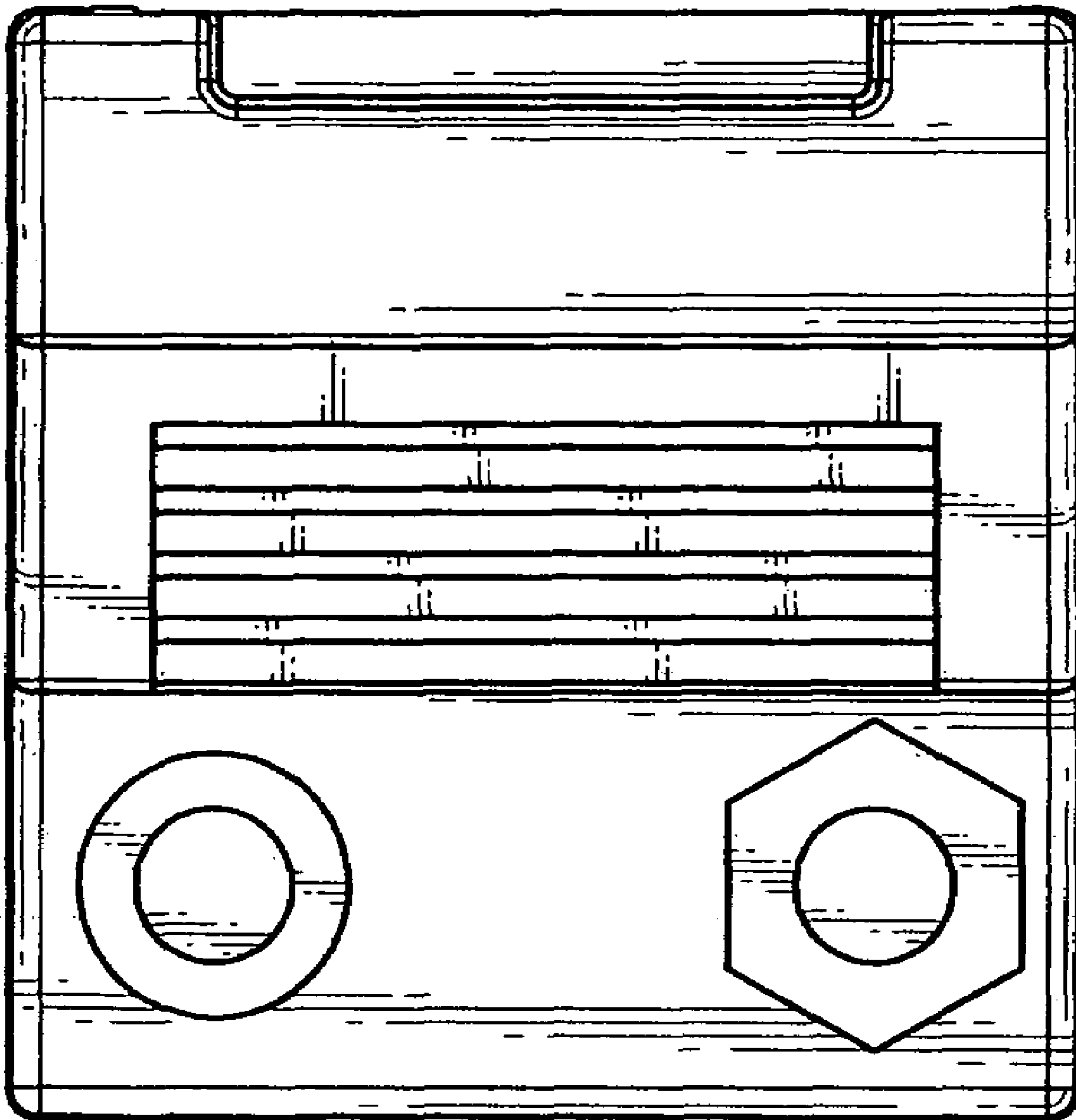


FIG.6

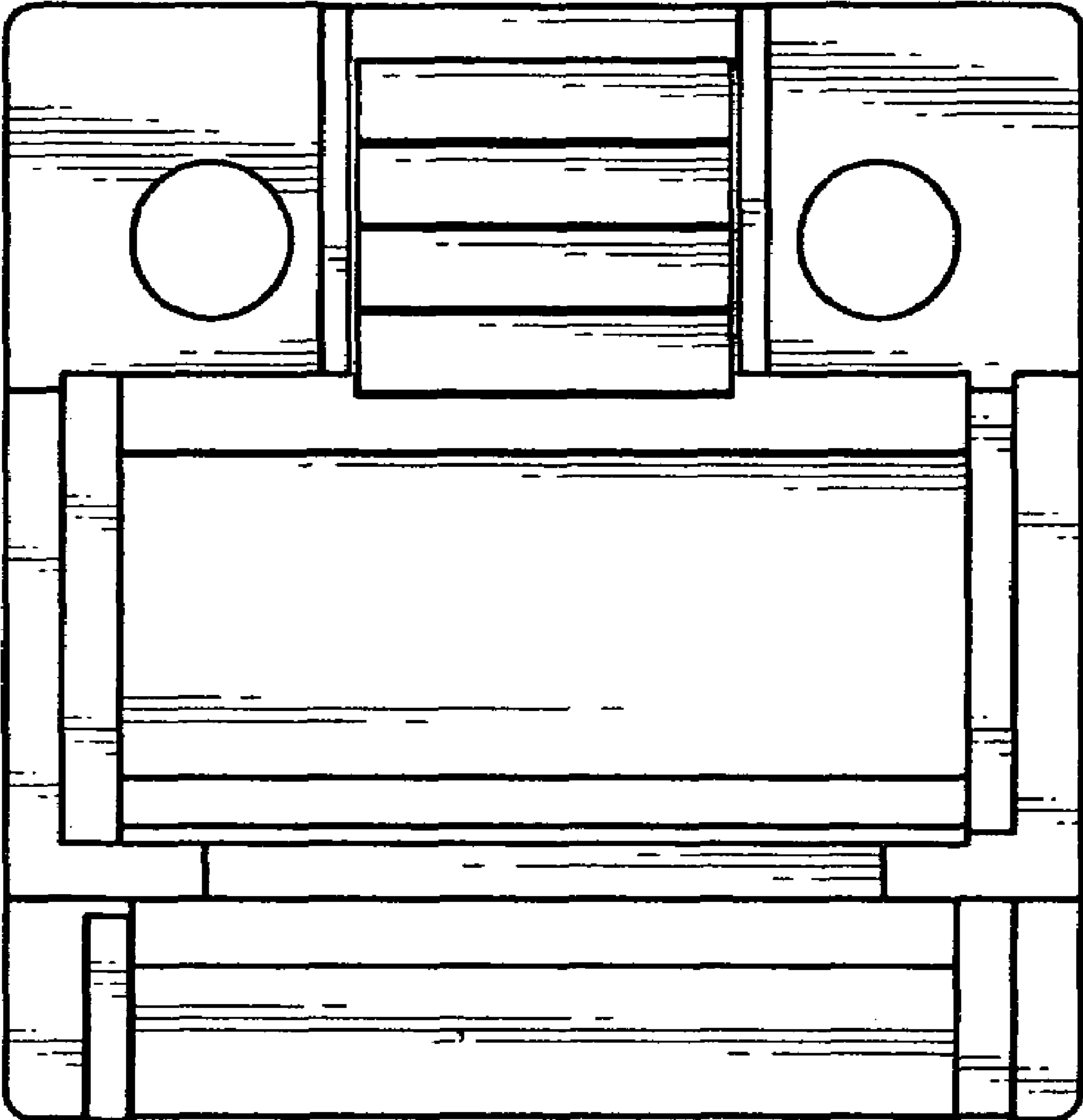


FIG. 7