



US00D573106S

(12) **United States Design Patent**  
**Shu et al.**

(10) **Patent No.:** **US D573,106 S**  
(45) **Date of Patent:** **\*\* Jul. 15, 2008**

(54) **AUXILIARY FIXTURE FOR CONNECTOR OF MOTOR CABLE**

D441,343 S \* 5/2001 Lee ..... D13/120  
D471,520 S \* 3/2003 Liang ..... D13/120  
D471,865 S \* 3/2003 Garvis et al. .... D13/120  
D511,130 S \* 11/2005 McCowin ..... D13/120

(75) Inventors: **Hong-Cheng Shu**, Taoyuan Hsien (TW);  
**Chao-Ren Chen**, Taoyuan Hsien (TW)

\* cited by examiner

(73) Assignee: **Delta Electronics, Inc.**, Taoyuan (TW)

*Primary Examiner*—Brian N Vinson

(\*\*) Term: **14 Years**

(57) **CLAIM**

(21) Appl. No.: **29/257,213**

The ornamental design for a auxiliary fixture for connector of motor cable, as shown and described.

(22) Filed: **Mar. 31, 2006**

**DESCRIPTION**

(51) **LOC (8) Cl.** ..... **13-02**

(52) **U.S. Cl.** ..... **D13/156**

(58) **Field of Classification Search** ..... D13/104,  
D13/120, 133, 156; 439/762-765, 798, 907,  
439/504, 507, 510

FIG. 1 is a perspective view of a auxiliary fixture for connector of motor cable showing my new design;

FIG. 2 is a front view thereof;

FIG. 3 is a rear view thereof;

FIG. 4 is a left side view thereof;

FIG. 5 is a right side view thereof;

FIG. 6 is a top view thereof; and,

FIG. 7 is a bottom view thereof.

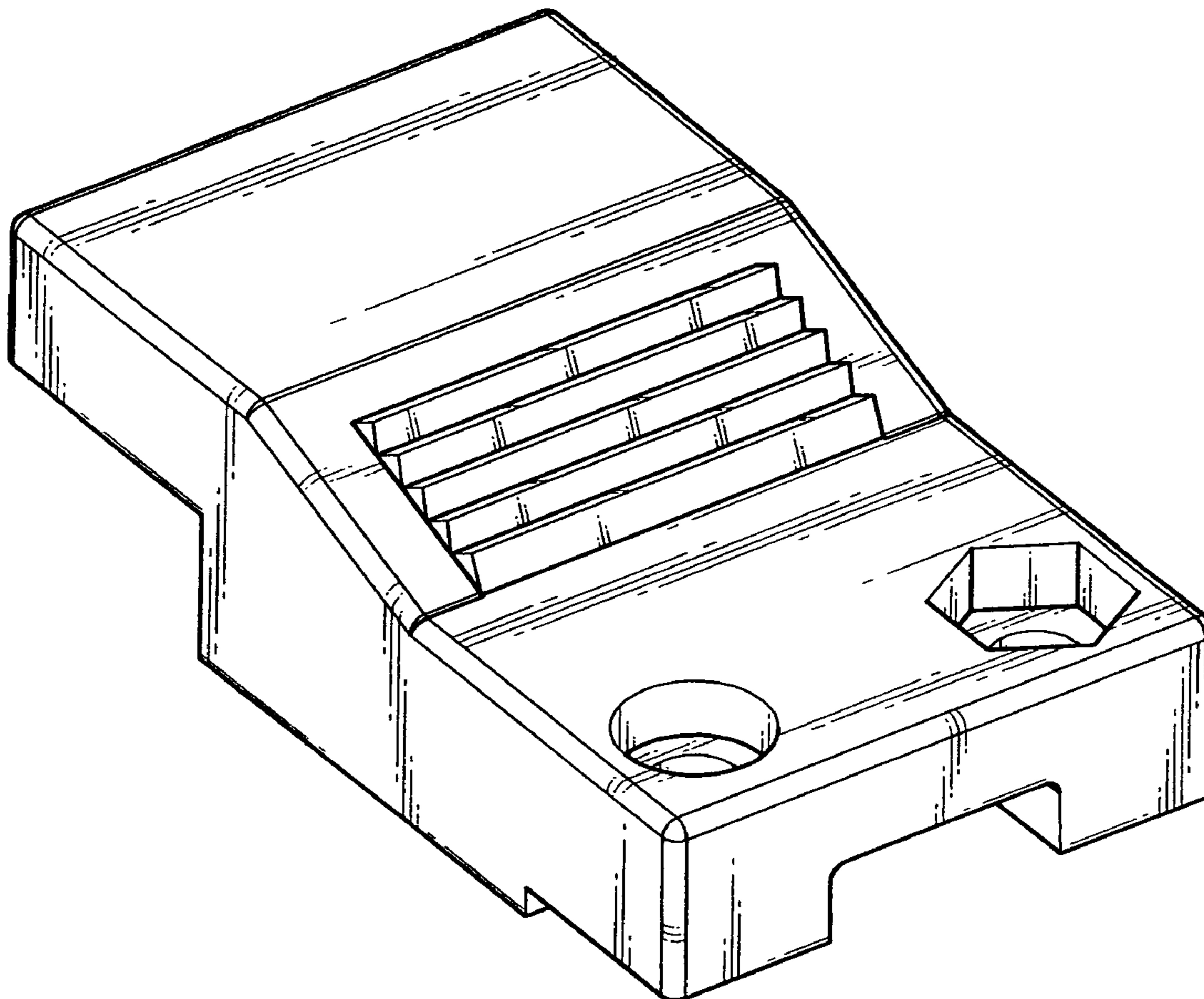
See application file for complete search history.

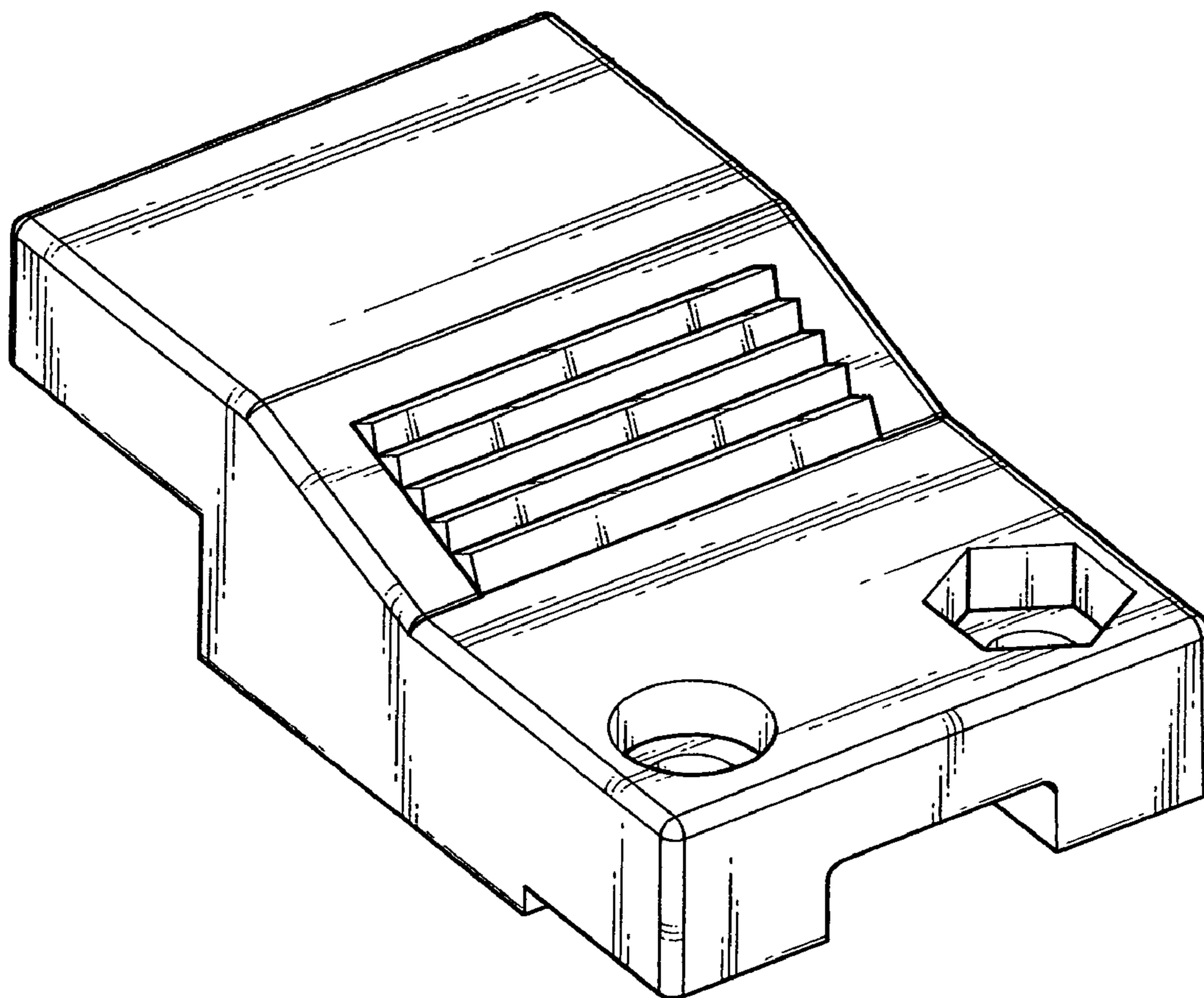
(56) **References Cited**

U.S. PATENT DOCUMENTS

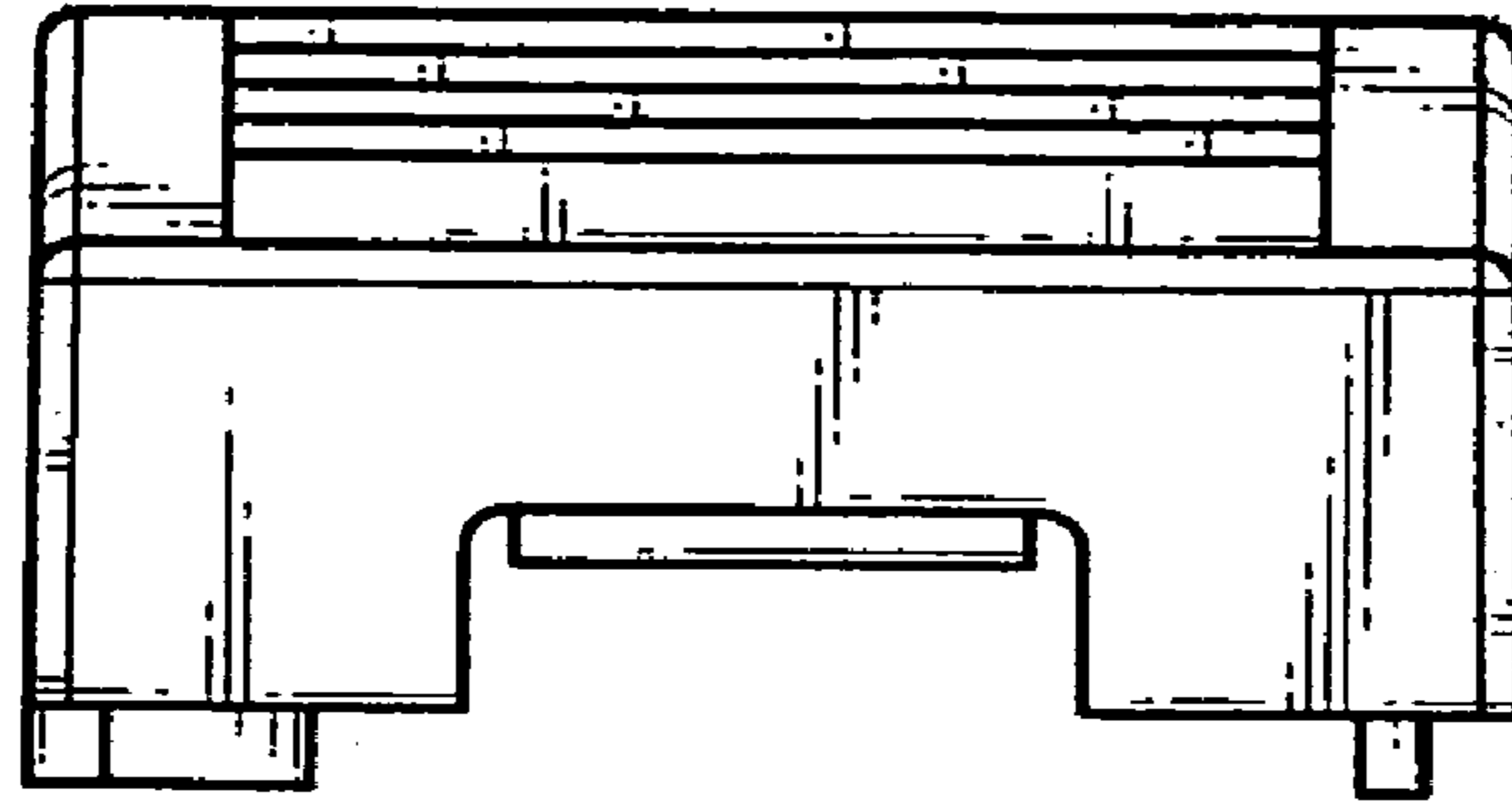
D402,260 S \* 12/1998 Awbrey ..... D13/120  
D404,028 S \* 1/1999 Holbrook ..... D13/120  
5,877,609 A \* 3/1999 Carter ..... 439/765

**1 Claim, 5 Drawing Sheets**

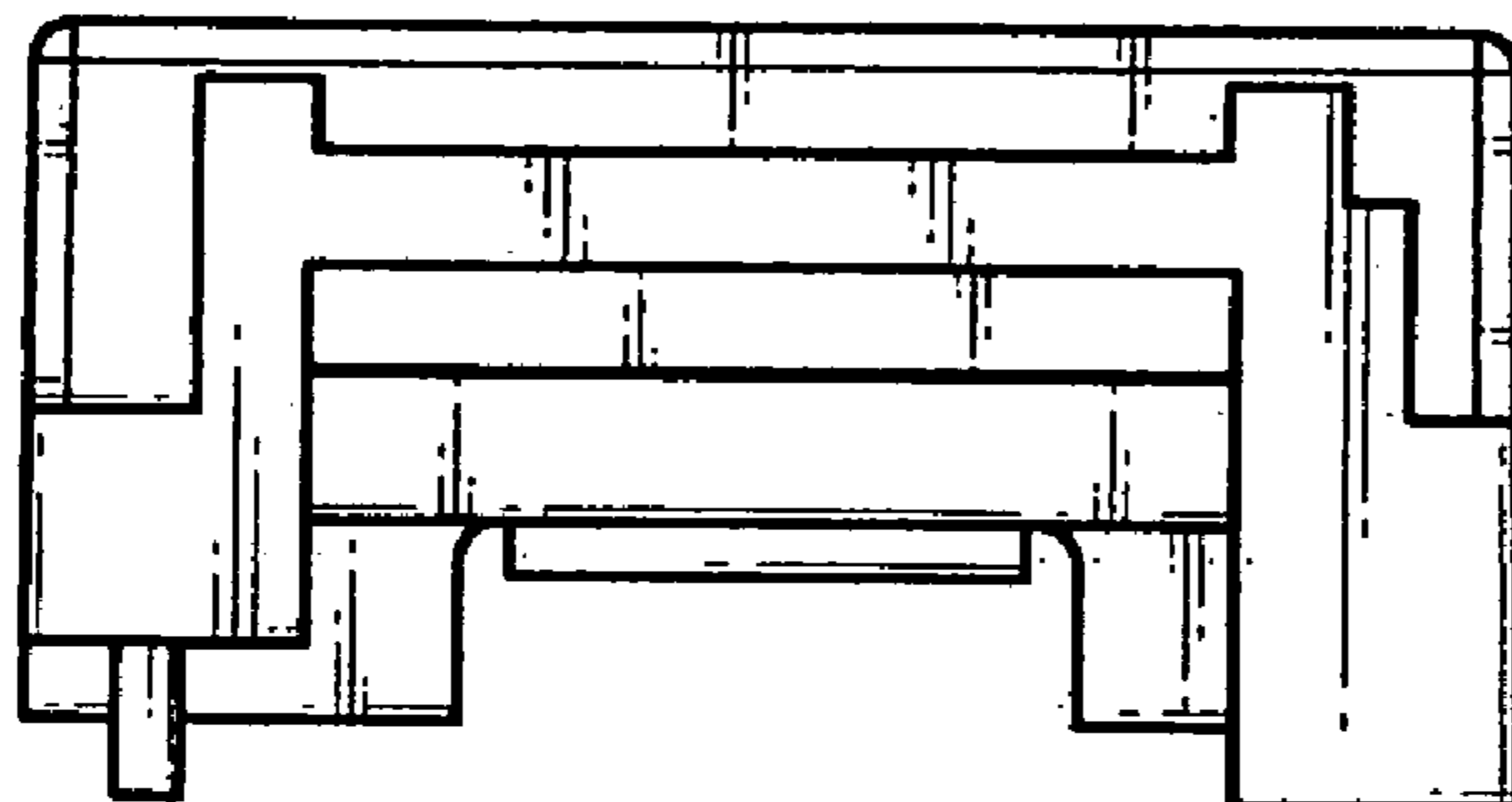




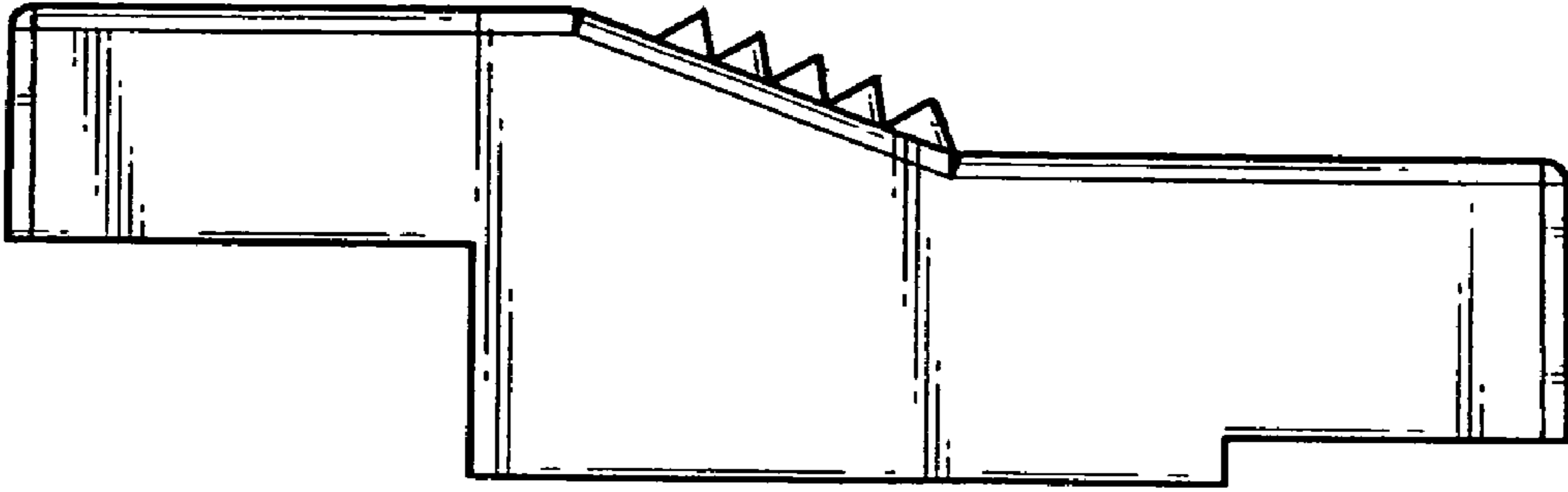
**FIG. 1**



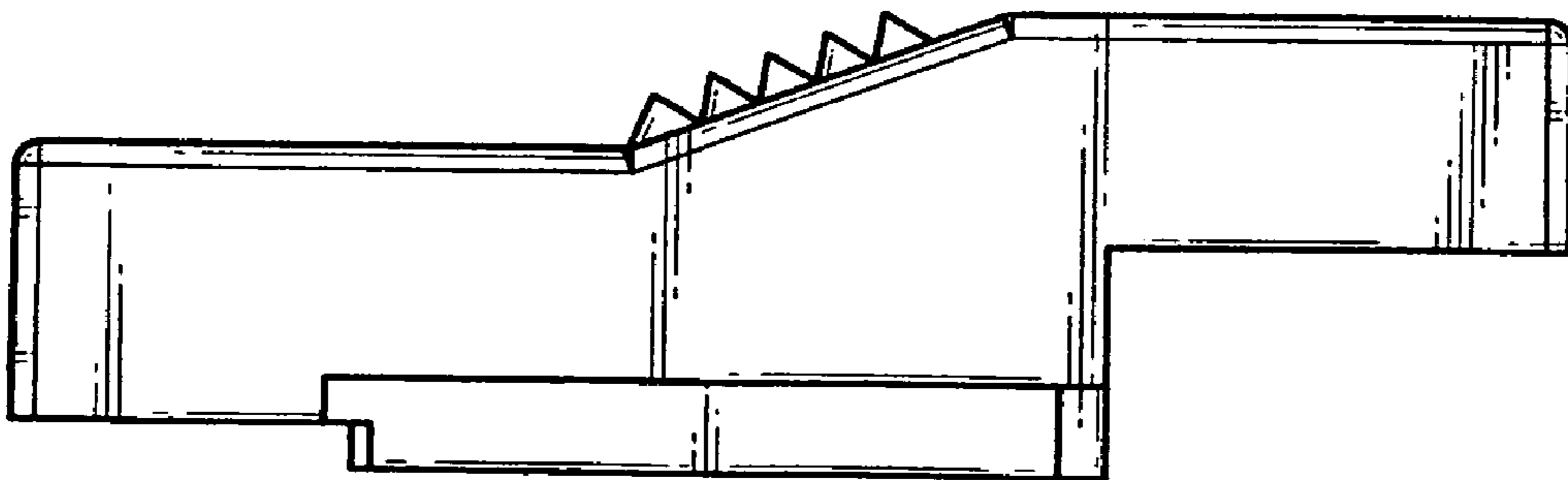
**FIG. 2**



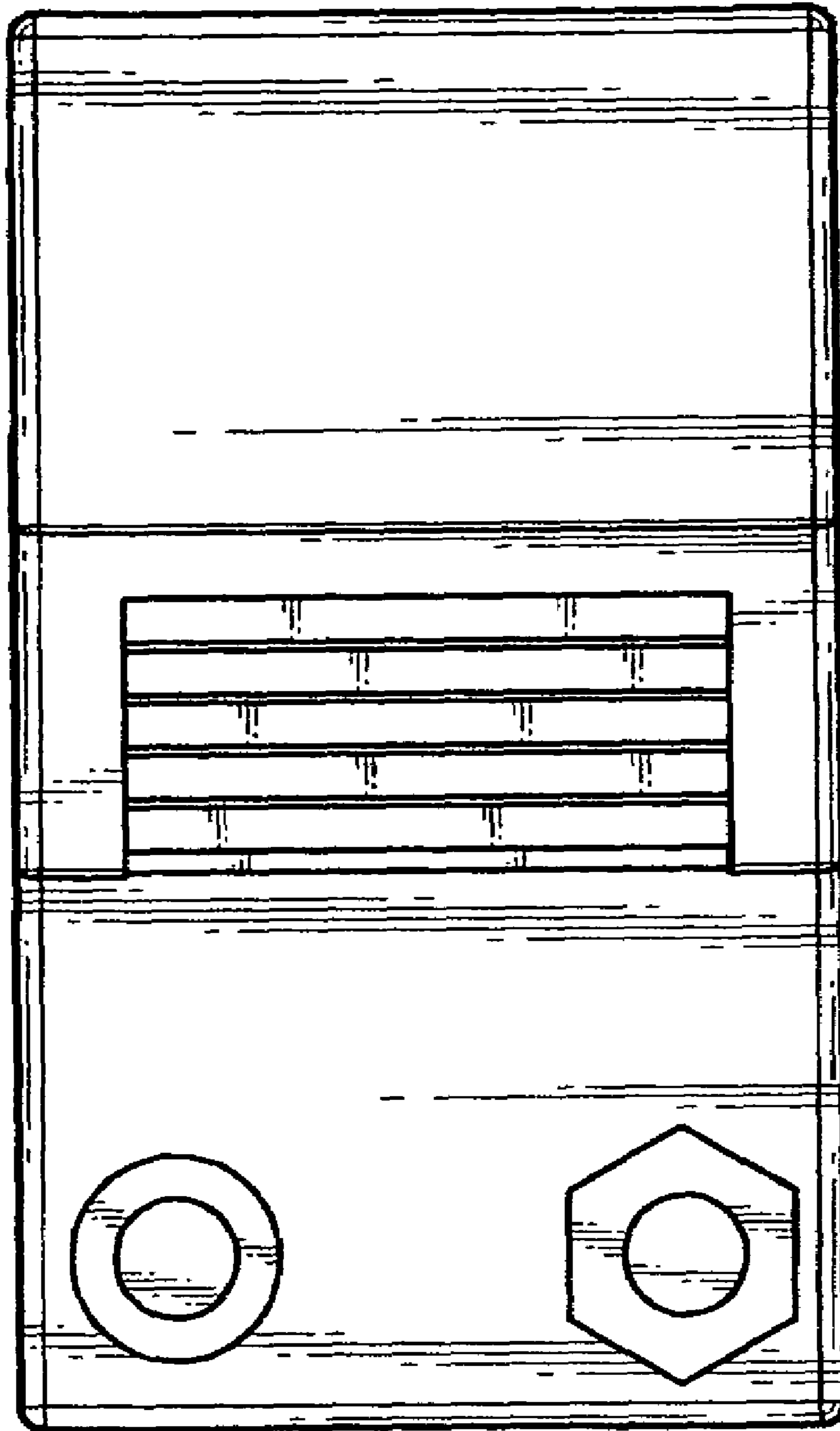
**FIG. 3**



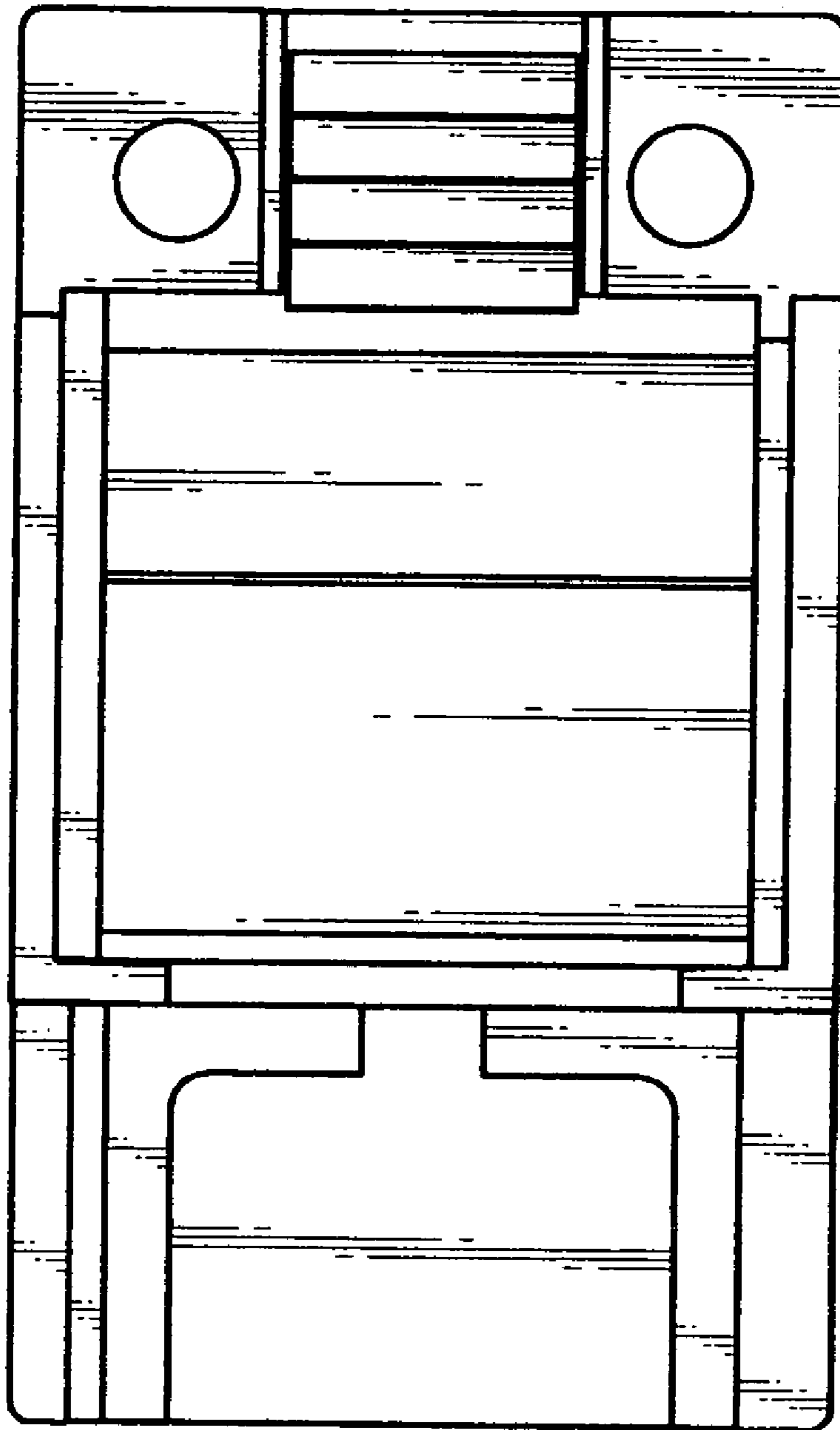
**FIG.4**



**FIG.5**



**FIG. 6**



**FIG.7**