

US00D573103S

(12) **United States Design Patent**
Lee et al.

(10) **Patent No.:** **US D573,103 S**
(45) **Date of Patent:** **** Jul. 15, 2008**

(54) **CABLE CONNECTOR**

(57) **CLAIM**

(75) Inventors: **Noel Lee**, Las Vegas, NV (US);
Kendrew Lee, Fremont, CA (US)

The ornamental design for a cable connector, as shown and described.

(73) Assignee: **Monster Cable Products, Inc.**,
Brisbane, CA (US)

DESCRIPTION

(**) Term: **14 Years**

(21) Appl. No.: **29/248,944**

(22) Filed: **Sep. 12, 2006**

(51) **LOC (8) Cl.** **13-03**

(52) **U.S. Cl.** **D13/154; D13/133**

(58) **Field of Classification Search** D13/133,
D13/151, 154, 156, 184, 199; 439/578, 750-751,
439/825, 851, 889

See application file for complete search history.

(56) **References Cited**

U.S. PATENT DOCUMENTS

D400,171 S *	10/1998	Nimpoeno et al.	D13/133
D434,009 S *	11/2000	Lee	D13/154
D450,296 S *	11/2001	Lee	D13/133
D453,322 S *	2/2002	Lee	D13/154
D473,194 S *	4/2003	Lee	D13/154
6,729,912 B2 *	5/2004	D'Addario	439/675
D506,184 S *	6/2005	Sirichai et al.	D13/154
D519,933 S *	5/2006	Suckle et al.	D13/155
D543,154 S *	5/2007	Suckle et al.	D13/154

* cited by examiner

Primary Examiner—Daniel D Bui

(74) *Attorney, Agent, or Firm*—LaRiviere, Grubman &
Payne, LLP

A portion of the disclosure of this patent document contains material which is subject to copyright protection. The copyright owner has no objection to the facsimile reproduction by any one of the patent document or the patent disclosure, as it appears in the Patent and Trademark Office patent file or records, but otherwise reserves all copyright rights whatsoever.

FIG. 1 is a perspective view of a cable connector, in use condition, showing our new design;

FIG. 2 is a perspective view thereof;

FIG. 3 is a front elevation view thereof;

FIG. 4 is a side elevation view thereof;

FIG. 5 is a side elevation view of the opposite side view shown in FIG. 4;

FIG. 6 is a rear elevation view thereof;

FIG. 7 is a top plan view thereof on an enlarged view, and in use condition;

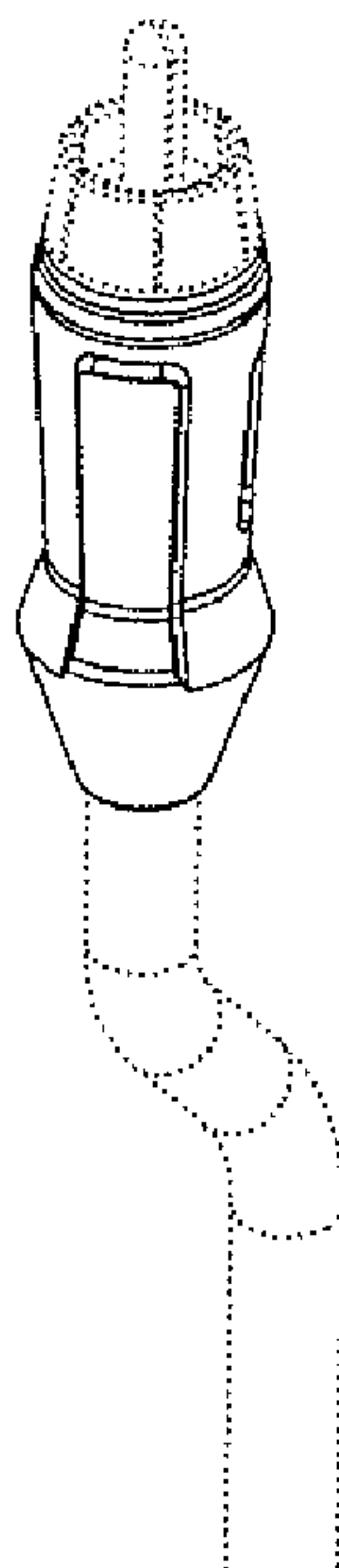
FIG. 8 is a top plan view thereof on an enlarged view;

FIG. 9 is a bottom plan view thereof on an enlarged view, and in use condition; and,

FIG. 10 is a bottom plan view thereof.

The broken line showing of the environment is for illustrative purposes only and forms no part of the claimed design.

1 Claim, 6 Drawing Sheets



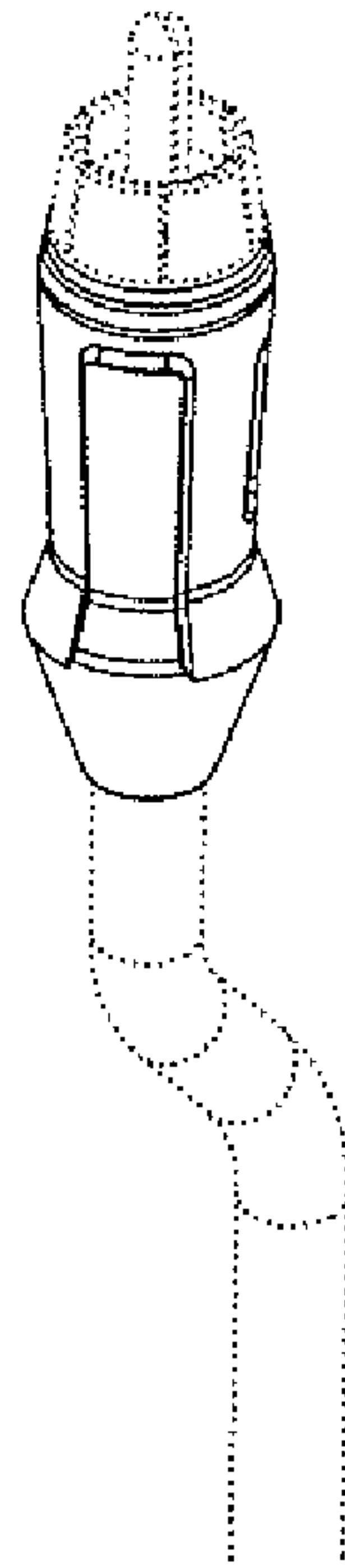


Figure 1

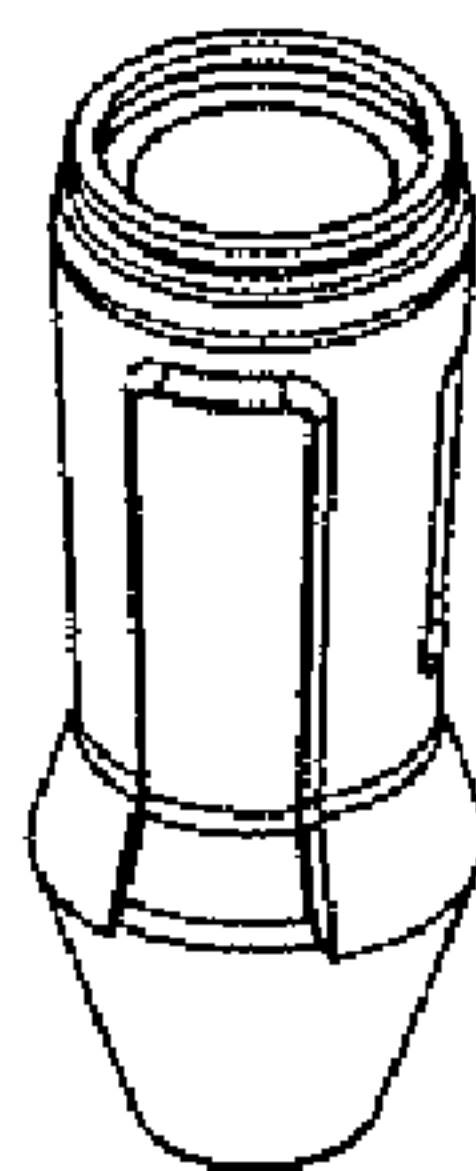


Figure 2

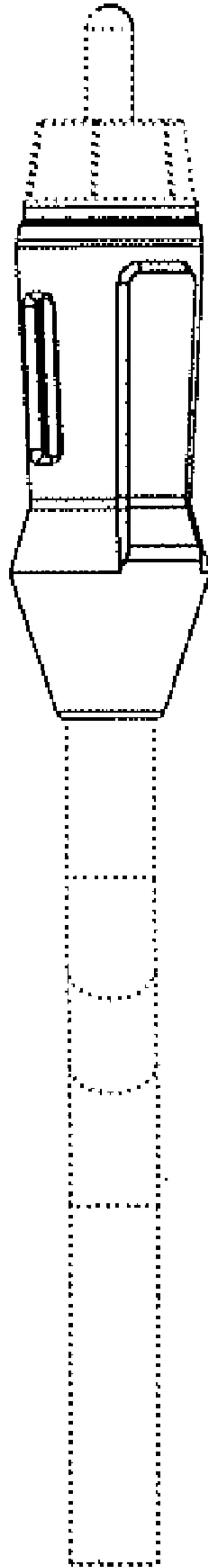


Figure 3

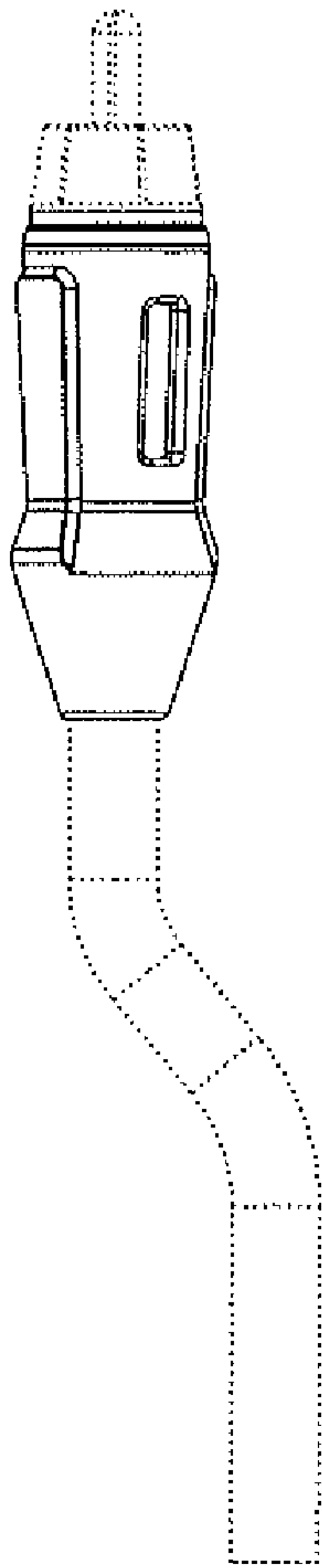


Figure 4

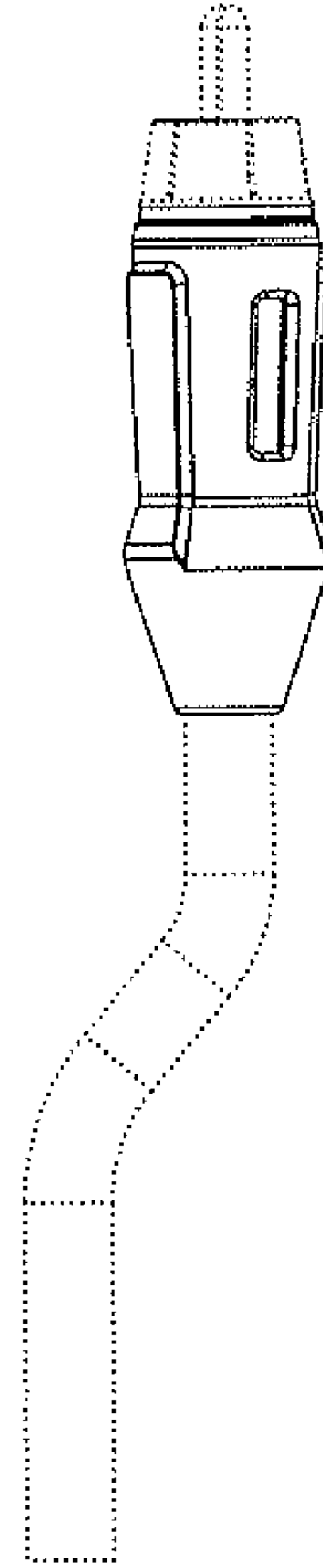


Figure 5

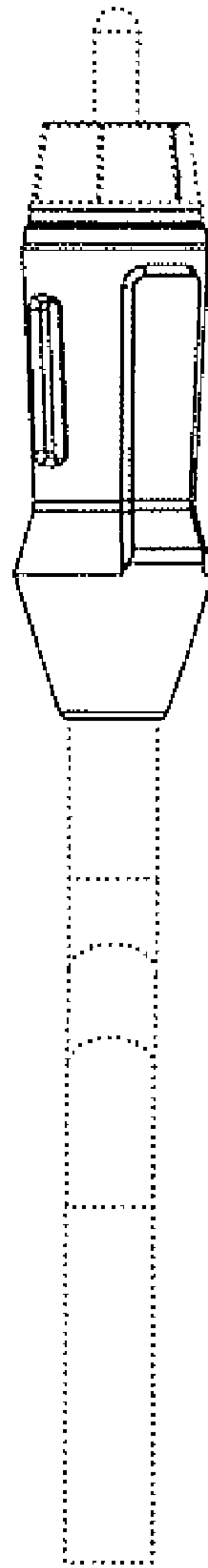


Figure 6

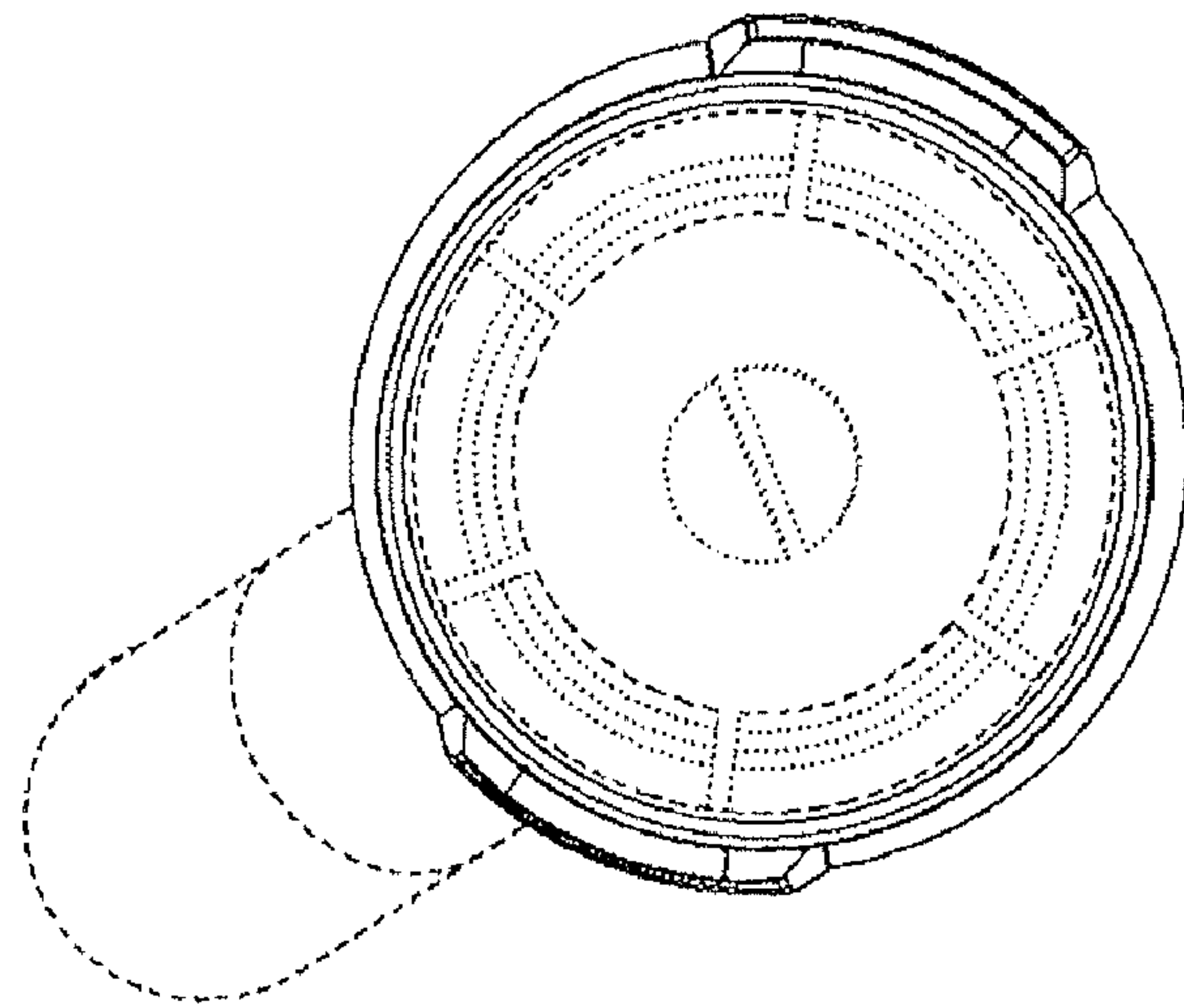


Figure 7

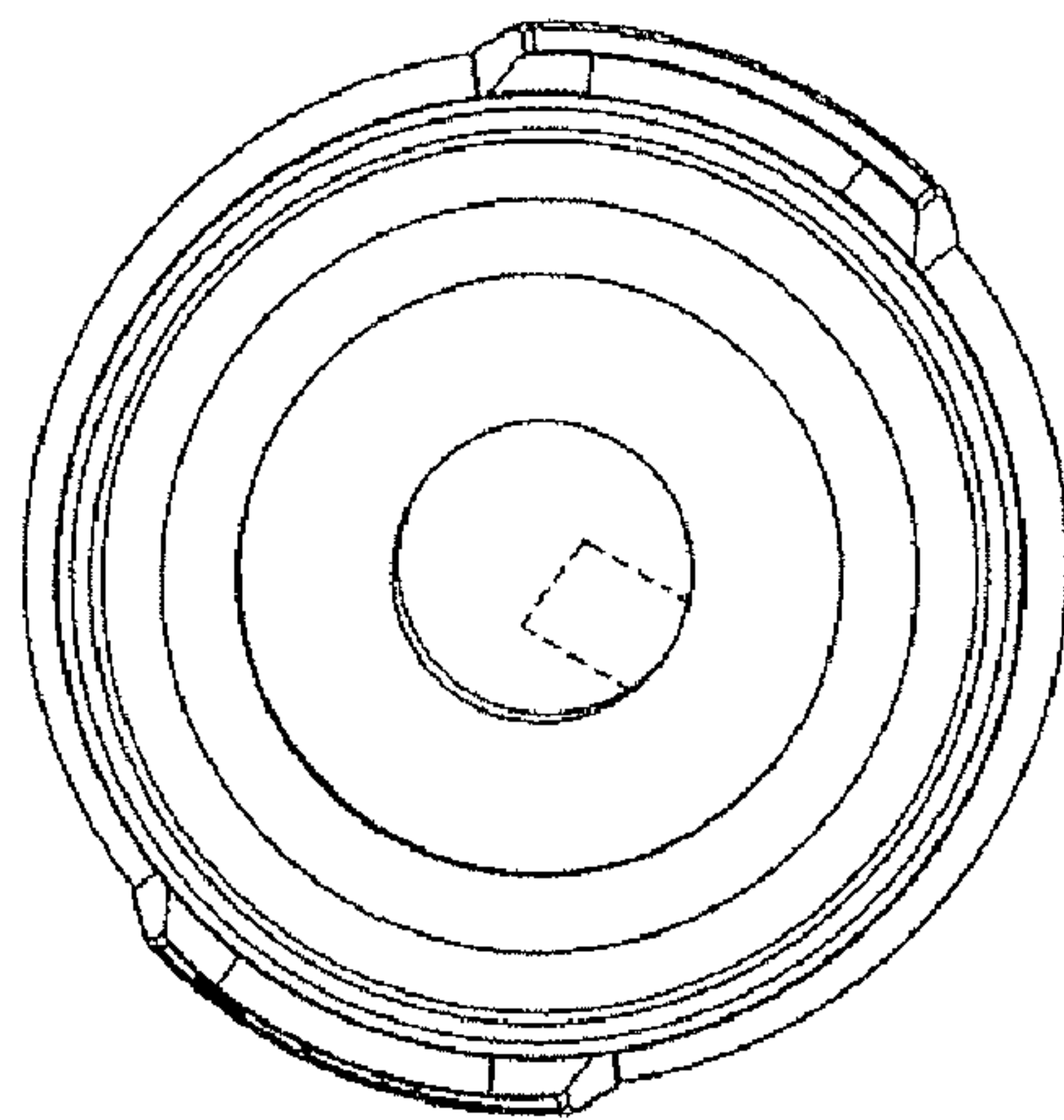


Figure 8

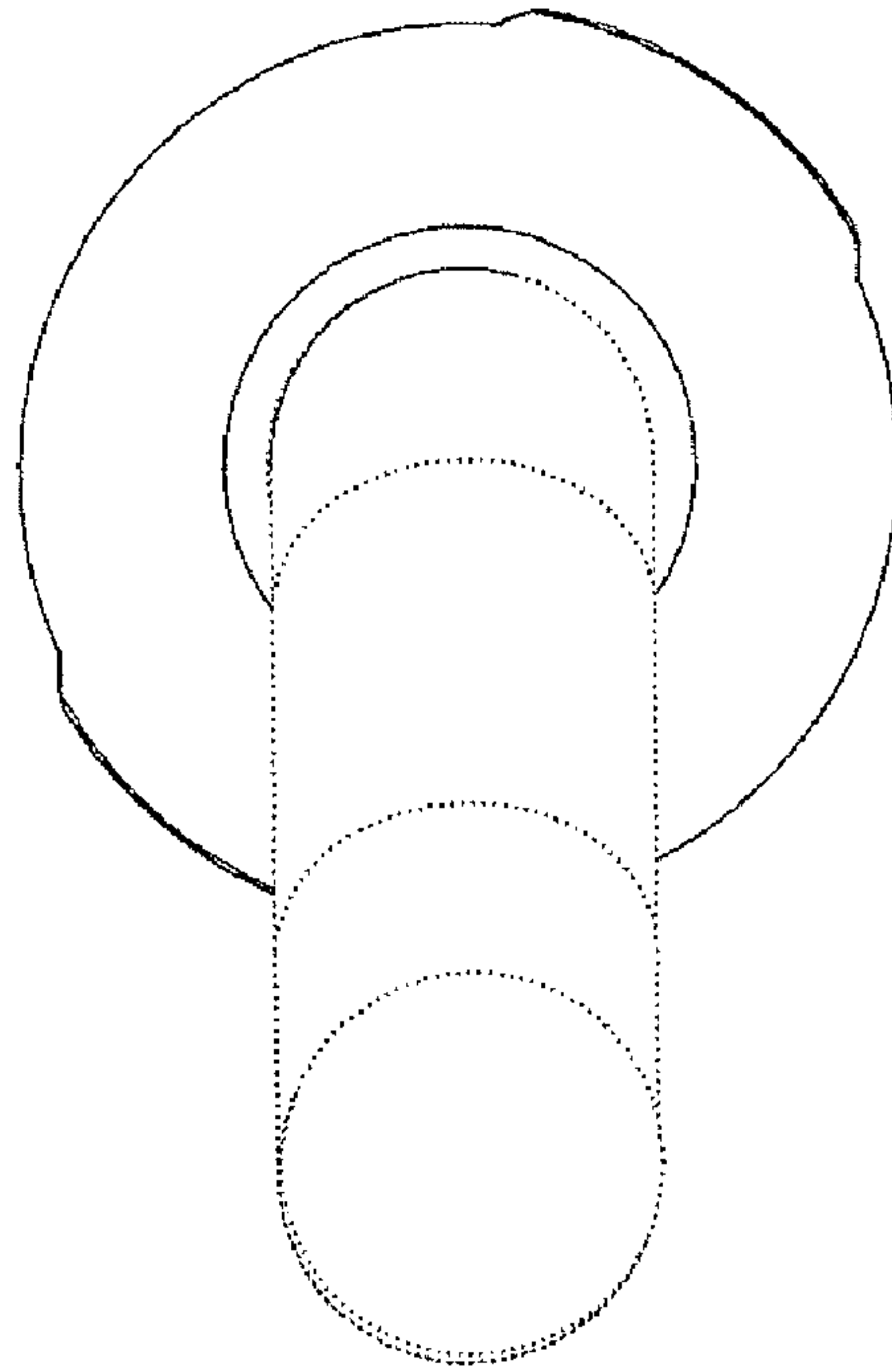


Figure 9

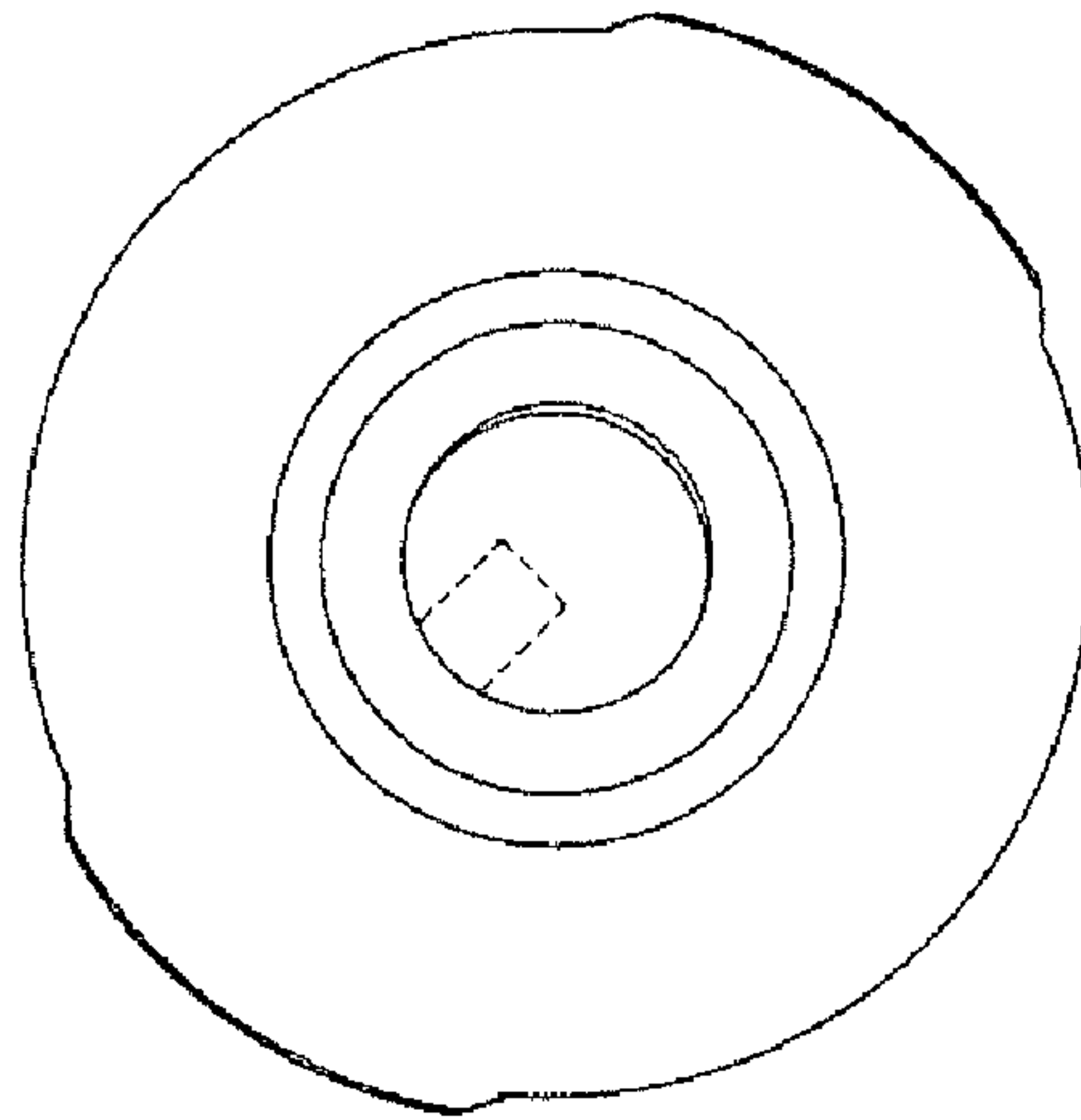


Figure 10