



US00D573101S

(12) **United States Design Patent**
Ng et al.

(10) **Patent No.:** **US D573,101 S**
(45) **Date of Patent:** **** Jul. 15, 2008**

(54) **CABLE SET**

(75) Inventors: **Kar Choon Ng**, Singapore (SG); **Boon Keat Eddy Toh**, Singapore (SG); **Lun Cheak Tan**, Singapore (SG)

(73) Assignee: **Creative Technology Ltd**, Singapore (SG)

(**) Term: **14 Years**

(21) Appl. No.: **29/237,353**

(22) Filed: **Aug. 29, 2005**

(51) **LOC (8) Cl.** **13-03**

(52) **U.S. Cl.** **D13/153**

(58) **Field of Classification Search** D13/153;
174/71 R, 88 R, 95, 117 F, 117 R, 117, 504 A
See application file for complete search history.

(56) **References Cited**

U.S. PATENT DOCUMENTS

2,043,044	A *	6/1936	Knoderer	174/117
2,729,696	A *	1/1956	Hull et al.	174/117 F
D185,856	S *	8/1959	Scofield	D13/153
3,745,230	A *	7/1973	Kelly	174/117 R
3,899,807	A *	8/1975	Sovish et al.	174/117 F
4,154,977	A *	5/1979	Verma	174/117 F
D262,617	S *	1/1982	Shumate	D13/156
5,268,531	A	12/1993	Nguyen		
D376,786	S	12/1996	Binzel		
D404,009	S	1/1999	Tolmie		
6,288,337	B1 *	9/2001	Sato et al.	174/71 R
D512,025	S *	11/2005	Frederick et al.	D13/153

FOREIGN PATENT DOCUMENTS

JP	61-171389	10/1986
KR	3019960000960	10/1997
KR	3019960000961	10/1997
KR	3019960000962	10/1997
KR	3019960023875	6/1998

KR 3019990030486 12/2001
KR 3020010002942 6/2002

* cited by examiner

Primary Examiner—Brian N Vinson

(74) *Attorney, Agent, or Firm*—Kennedy Koblin

(57) **CLAIM**

The ornamental design for a cable set, substantially as shown and described.

DESCRIPTION

FIG. 1 is a perspective view of a cable set in accordance with the present design, with the left hand side cable shown in cross section in FIG. 5 and the right hand side cable shown in cross section in FIG. 6;

FIG. 2 is a right side elevation view of the cable shown in FIG. 5;

FIG. 3 is a left side elevation view of the cable shown in FIG. 5;

FIG. 4 is a top view of the cable shown in FIG. 5;

FIG. 5 is a cross section of the left hand side cable in FIG. 1, reversed for convenient comparison with the right hand side cable;

FIG. 6 is a right side elevation view of the cable shown in FIG. 9;

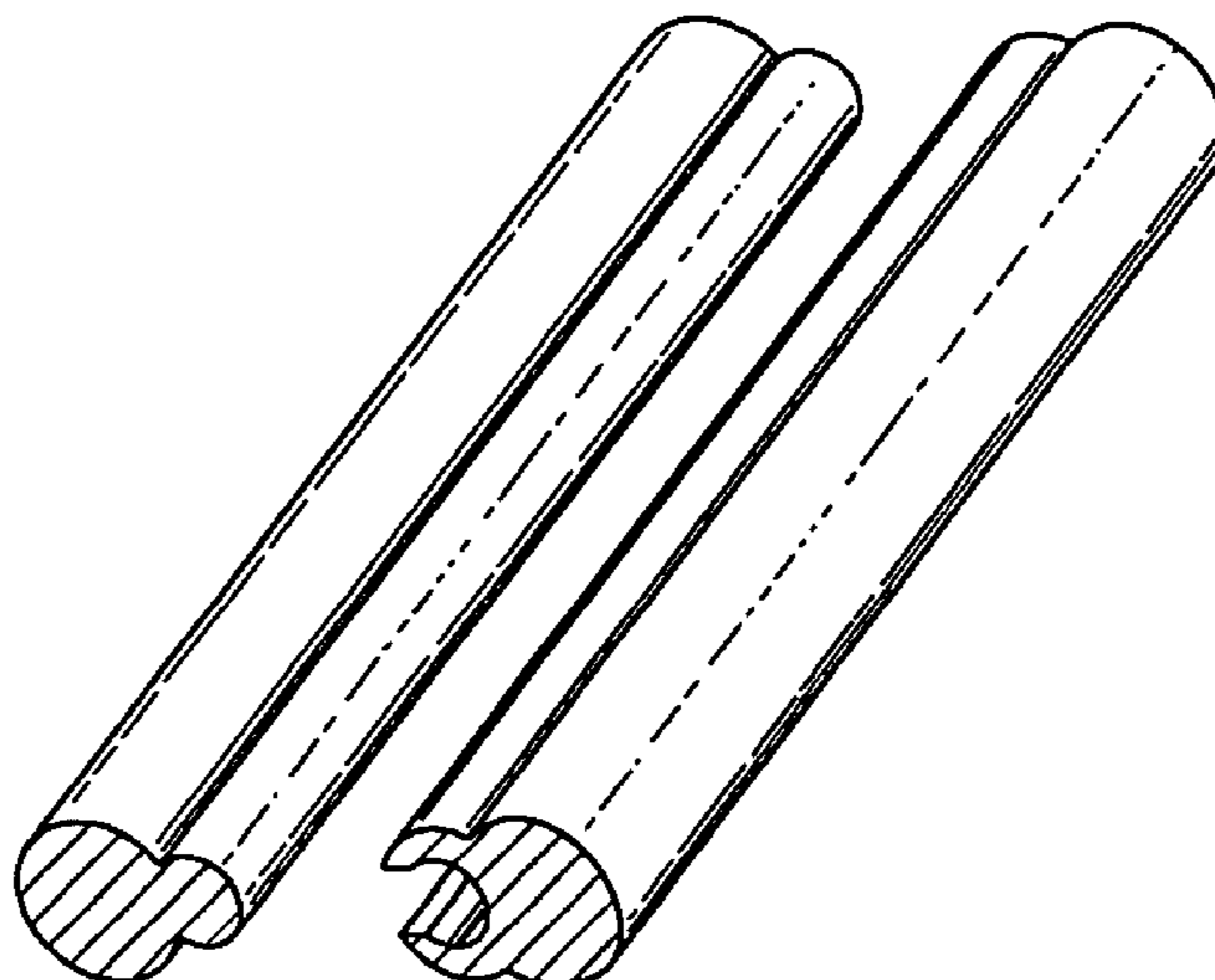
FIG. 7 is a left side elevation view of the cable shown in FIG. 9;

FIG. 8 is a top view of the cable shown in FIG. 9; and,

FIG. 9 is a cross section of the right hand side cable shown in FIG. 1.

The cables can be of any length as shown in FIGS. 2–4 and 6–8 by the use of symbols which have this universally recognized conventional meaning as generally accepted in the drafting arts.

1 Claim, 1 Drawing Sheet



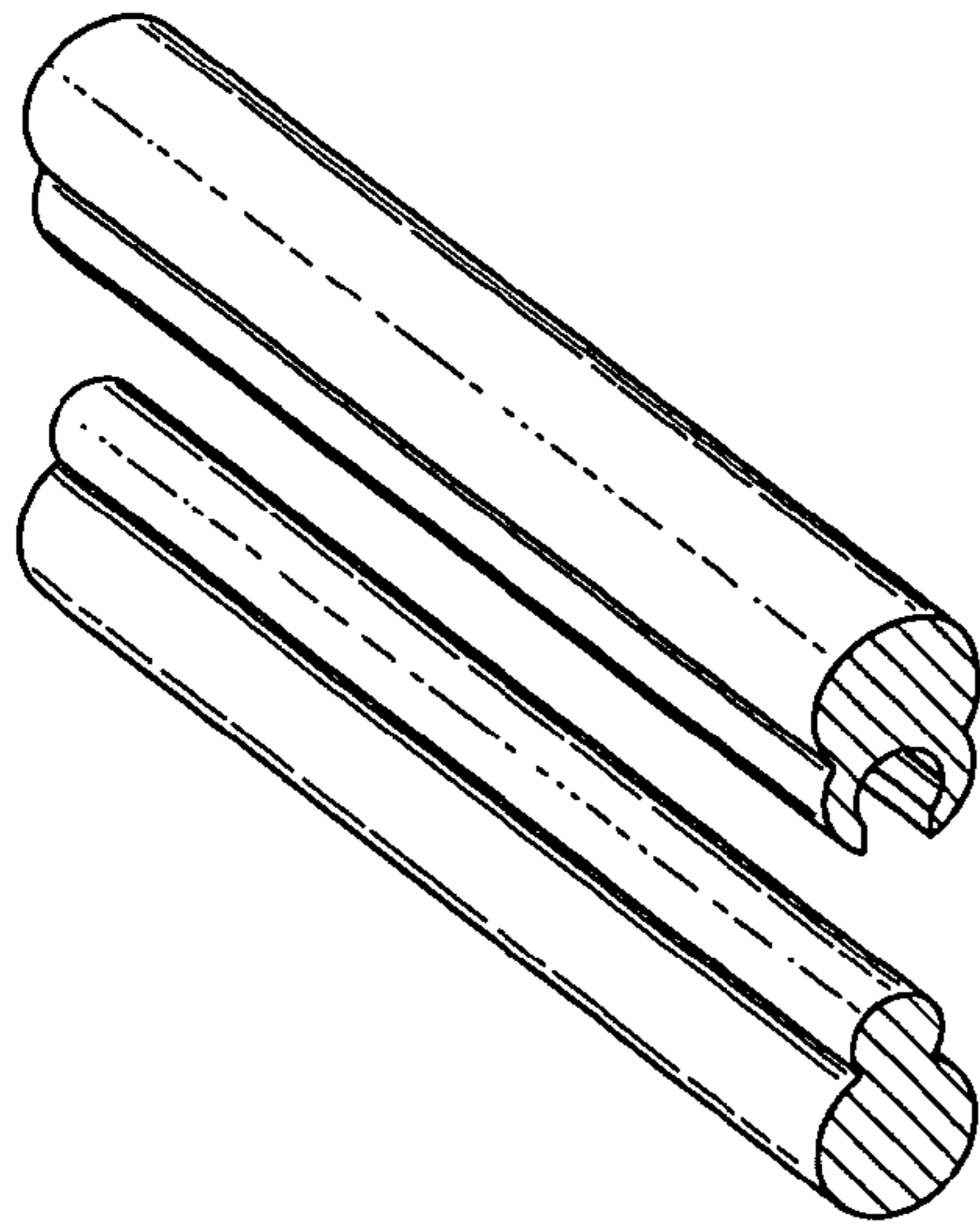


FIG. 1

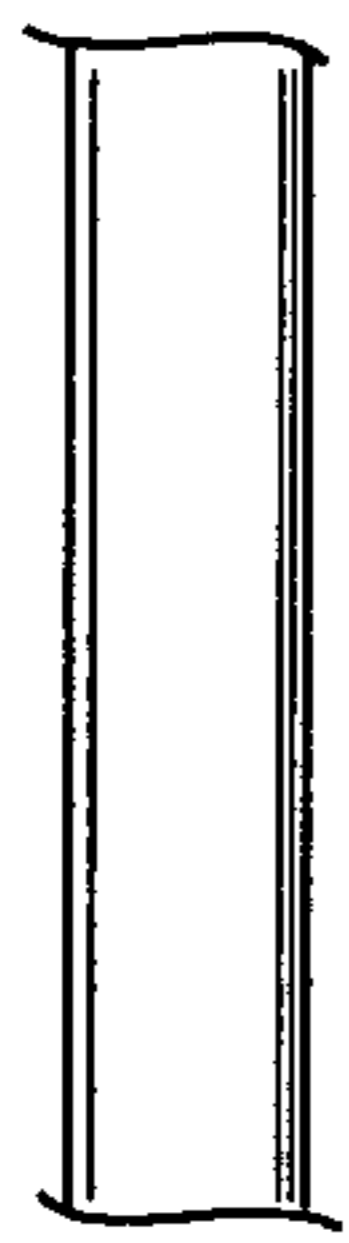


FIG. 2

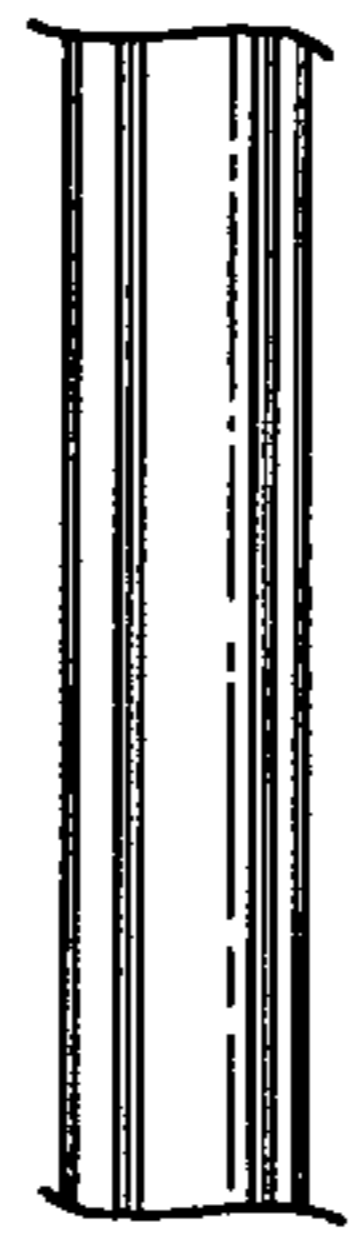


FIG. 3

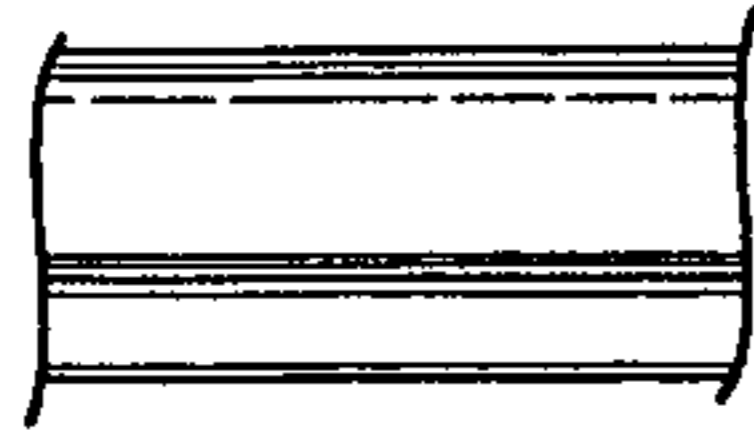


FIG. 4



FIG. 5

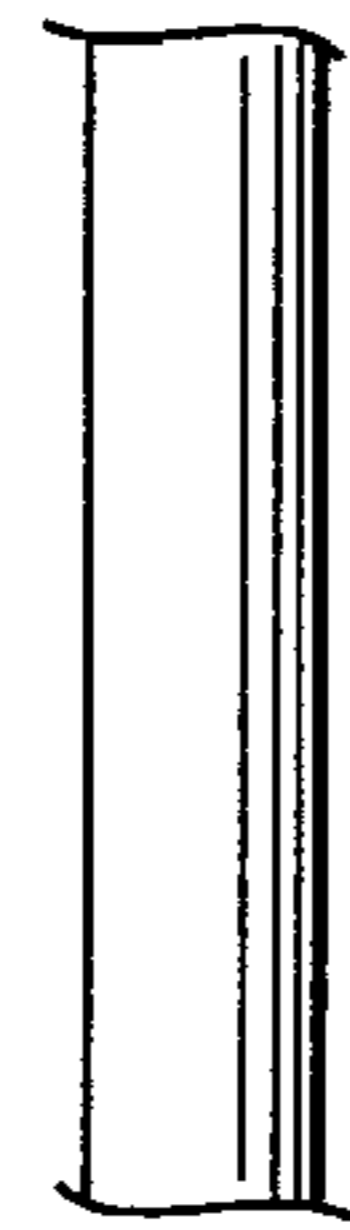


FIG. 6



FIG. 7

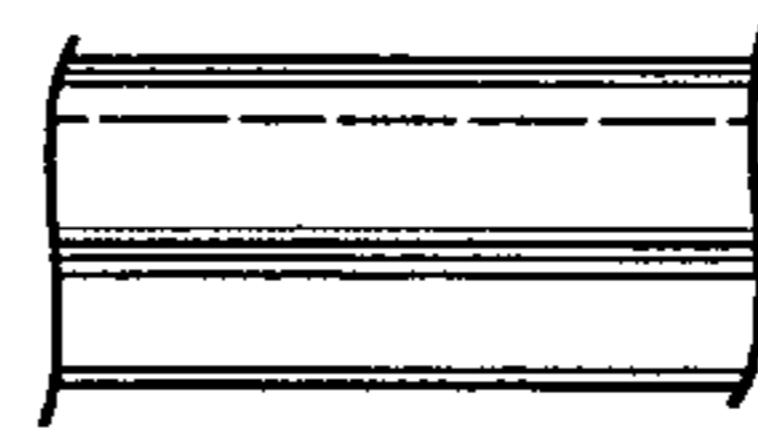


FIG. 8



FIG. 9