



US00D573098S

(12) **United States Design Patent**
Bergmann et al.

(10) **Patent No.:** **US D573,098 S**
(45) **Date of Patent:** **** Jul. 15, 2008**

(54) **MODULE OF A PERIPHERAL SYSTEM**

Primary Examiner—Daniel D Bui

(75) Inventors: **Martin Bergmann**, Schnaittenbach (DE); **Markus Donderer**, Amberg (DE); **Hermann Kasowski**, Kasti (DE); **Stefan Preischl**, Ebermannsdorf (DE); **Heribert Rester**, Steinberg (DE)

(57) **CLAIM**

We claim the ornamental design for a module of a peripheral system, as shown and described.

(73) Assignee: **Siemens Aktiengesellschaft**, Munich (DE)

DESCRIPTION

(**) Term: **14 Years**

(21) Appl. No.: **29/229,816**

(22) Filed: **May 12, 2005**

(30) **Foreign Application Priority Data**

Nov. 16, 2004 (EM) 000253729

(51) **LOC (8) Cl.** **13-03**

(52) **U.S. Cl.** **D13/147; D13/133; D13/146; D13/149; D13/151**

(58) **Field of Classification Search** D13/123, D13/133, 146–147, 149, 154, 184; 307/147; 439/1, 10, 49, 177, 189, 218, 246, 258, 259, 439/262, 377, 386; D8/573–574, 885
See application file for complete search history.

(56) **References Cited**

U.S. PATENT DOCUMENTS

D211,952 S * 8/1968 Ettinger et al. D13/110
6,468,092 B1 * 10/2002 Graff et al. 439/76.1
D473,519 S * 4/2003 Borst D13/147
D499,698 S * 12/2004 Ramirez D13/110
2004/0259413 A1 * 12/2004 Chou et al. 439/541.5

* cited by examiner

FIG. 1 is a front, right and bottom perspective view of the first Embodiment of a module of a peripheral system showing our new design;

FIG. 2 is a front elevation view thereof;

FIG. 3 is a right side elevation view thereof;

FIG. 4 is a left side elevation view thereof;

FIG. 5 is a rear elevation view thereof;

FIG. 6 is a bottom plan view thereof;

FIG. 7 is a top plan view thereof;

FIG. 8 is a front, right and bottom perspective view of the second Embodiment of a module of a peripheral system showing our new design;

FIG. 9 is a front elevation view thereof;

FIG. 10 is a right side elevation view thereof;

FIG. 11 is a left side elevation view thereof;

FIG. 12 is a rear elevation view thereof;

FIG. 13 is a bottom plan view thereof; and,

FIG. 14 is a top plan view thereof.

The broken line showing of the environment is for illustrative purposes only and forms no part of the claimed design.

1 Claim, 14 Drawing Sheets

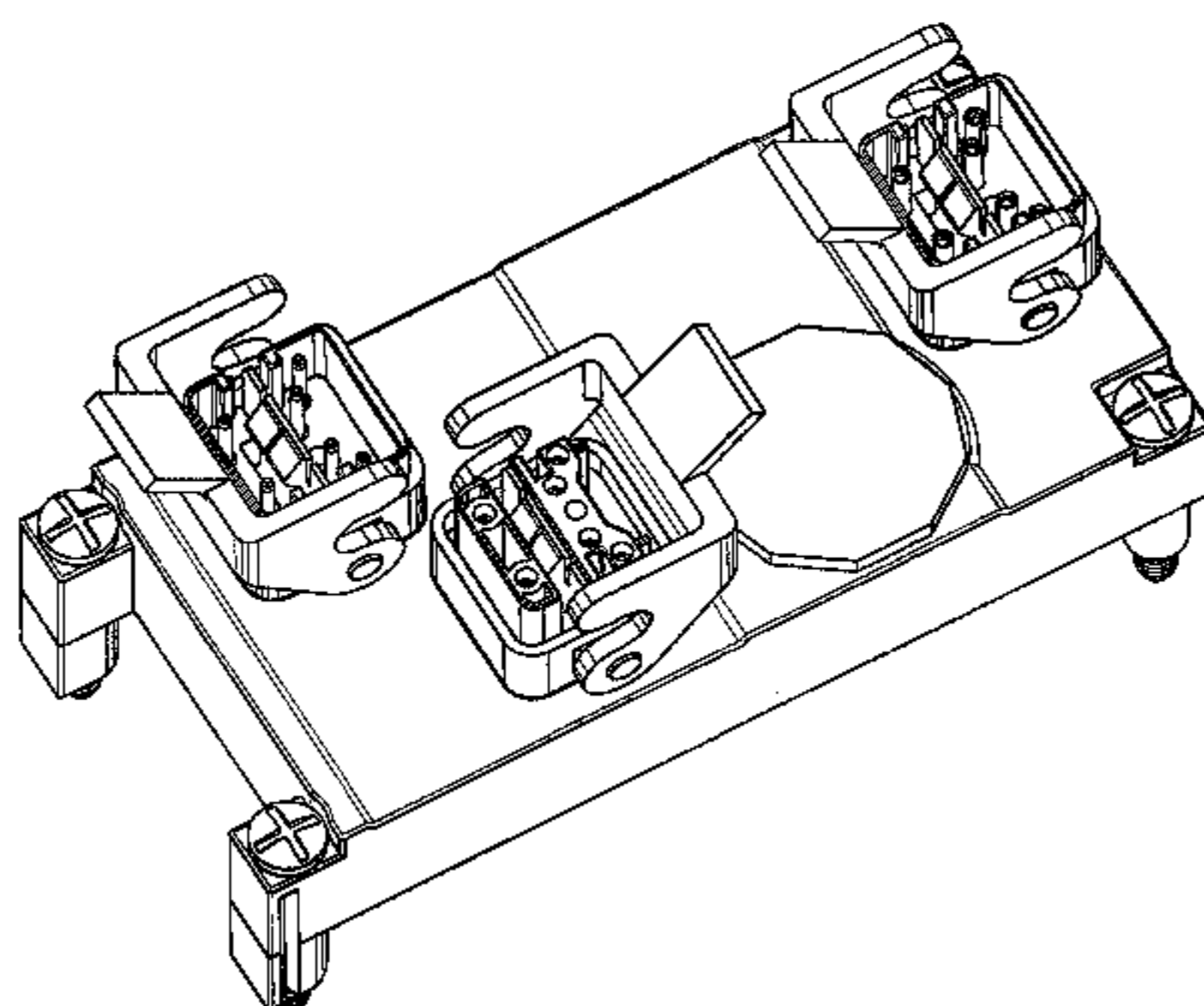
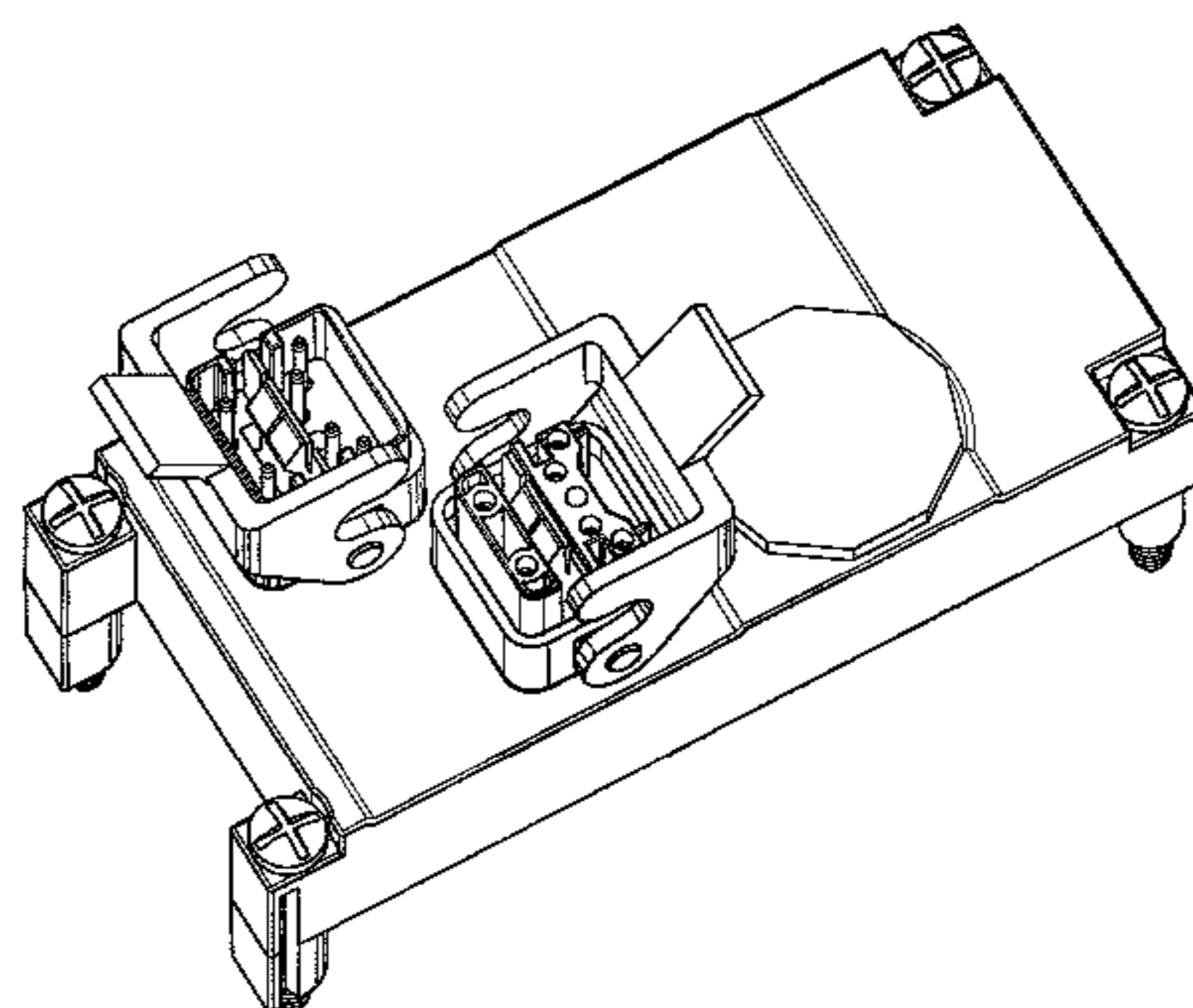


FIG 1

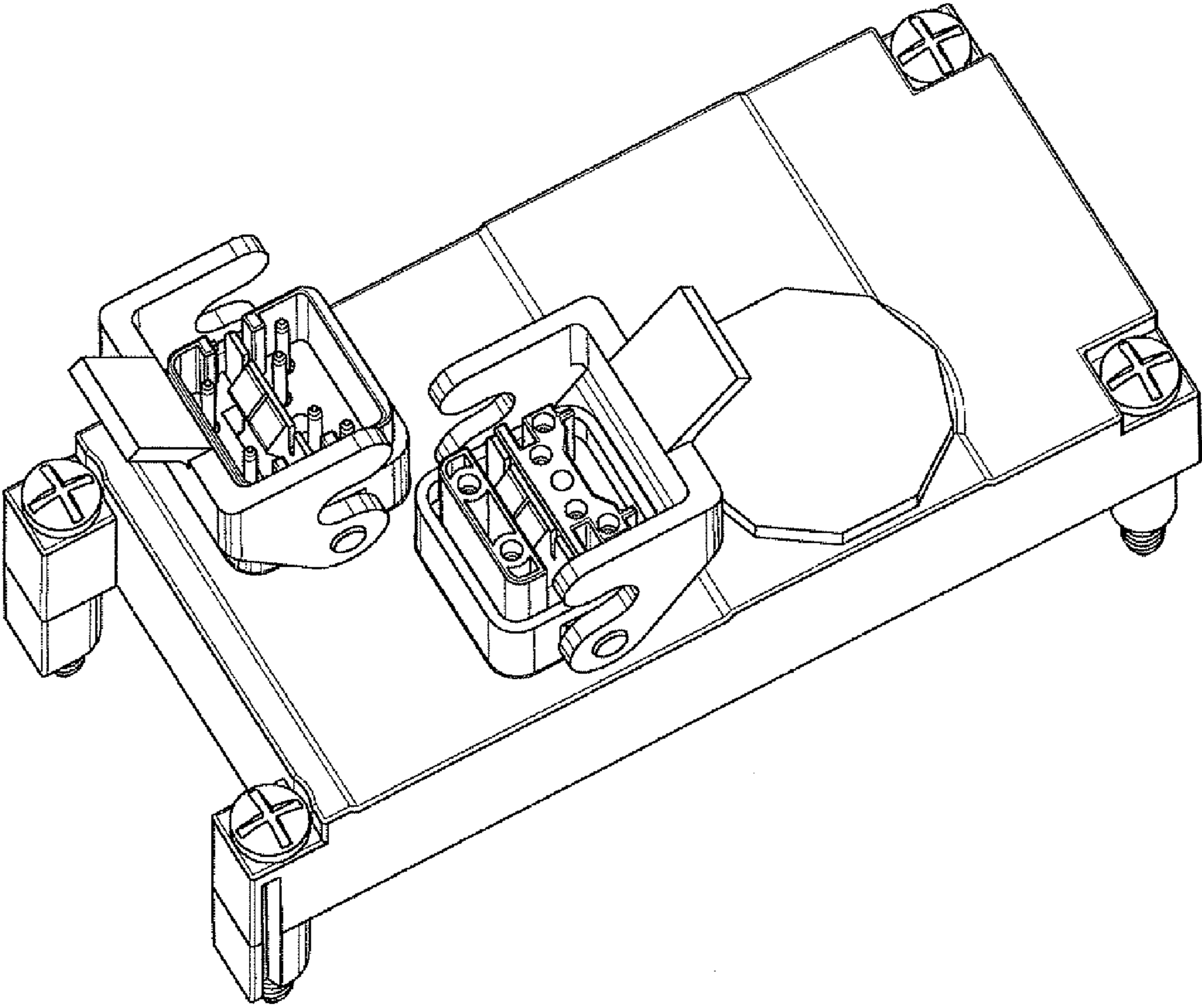


FIG 2

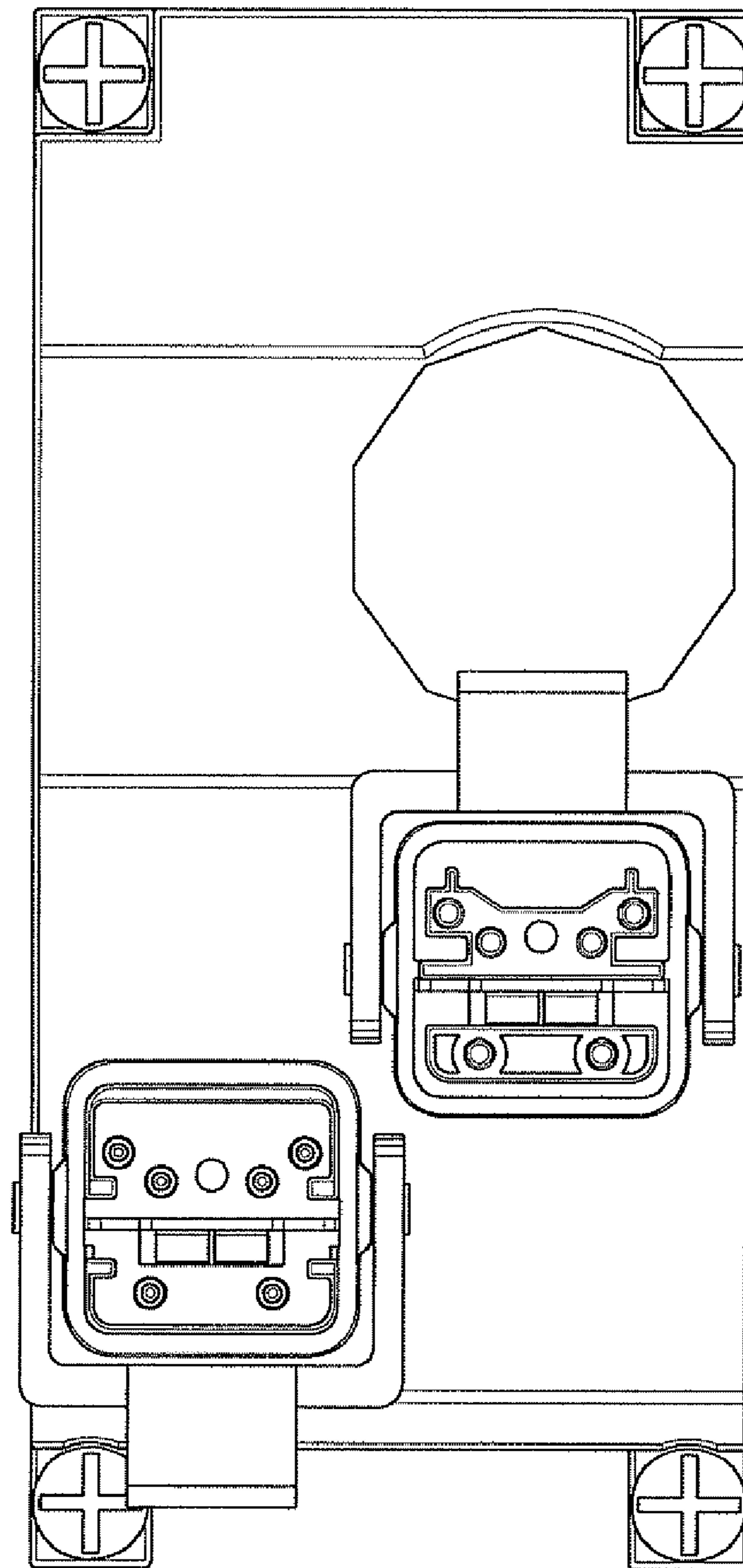


FIG 3

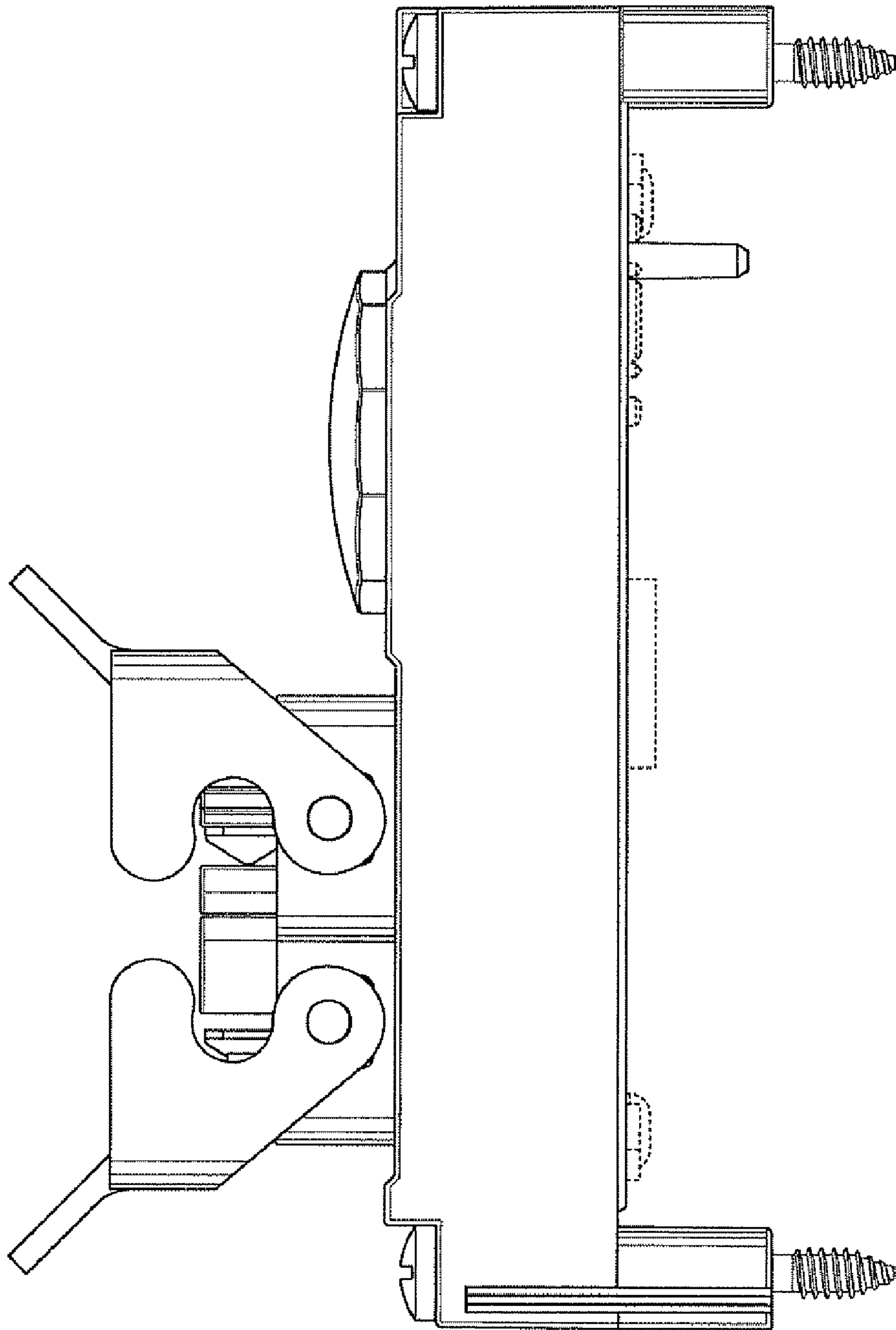


FIG 4

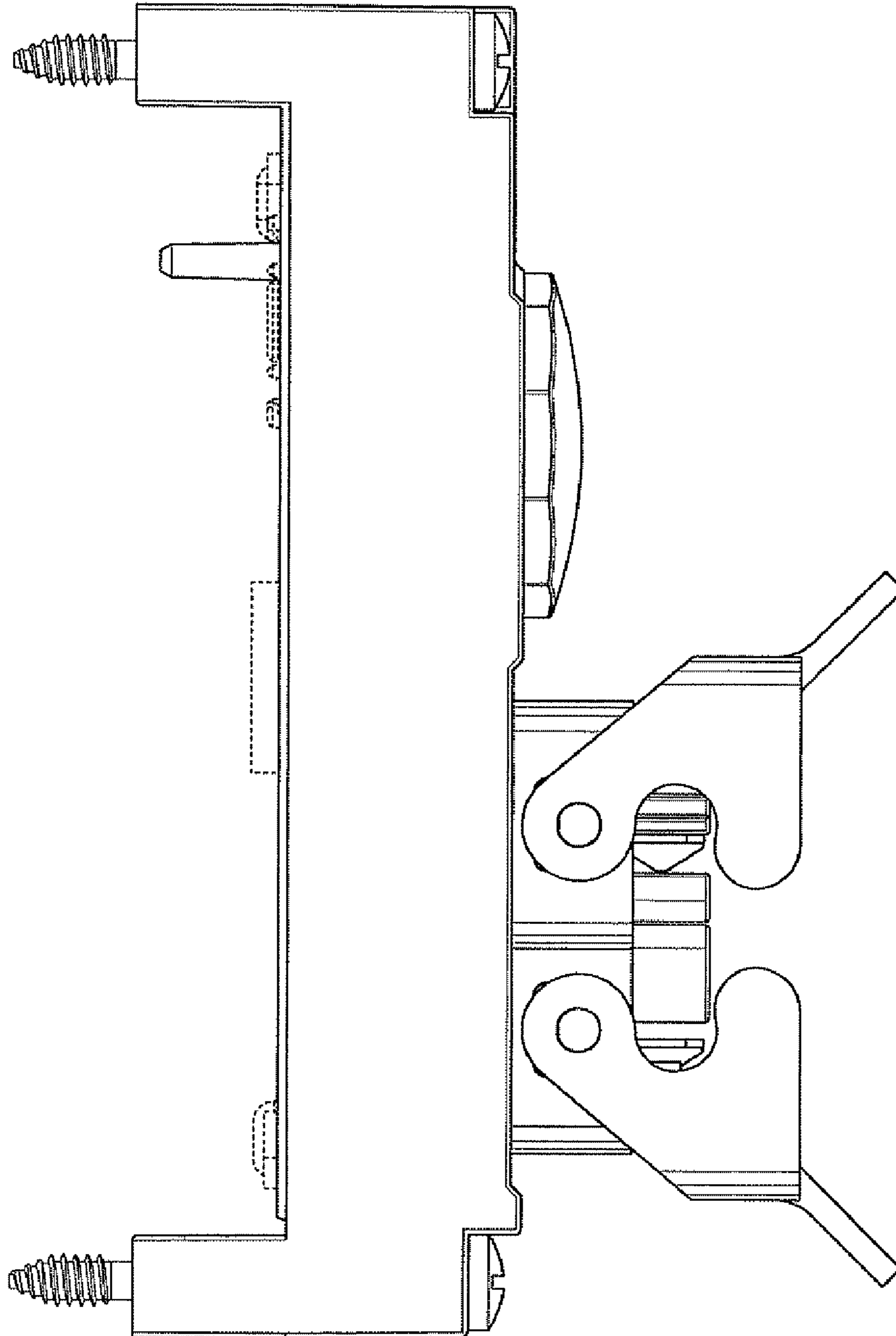


FIG 5

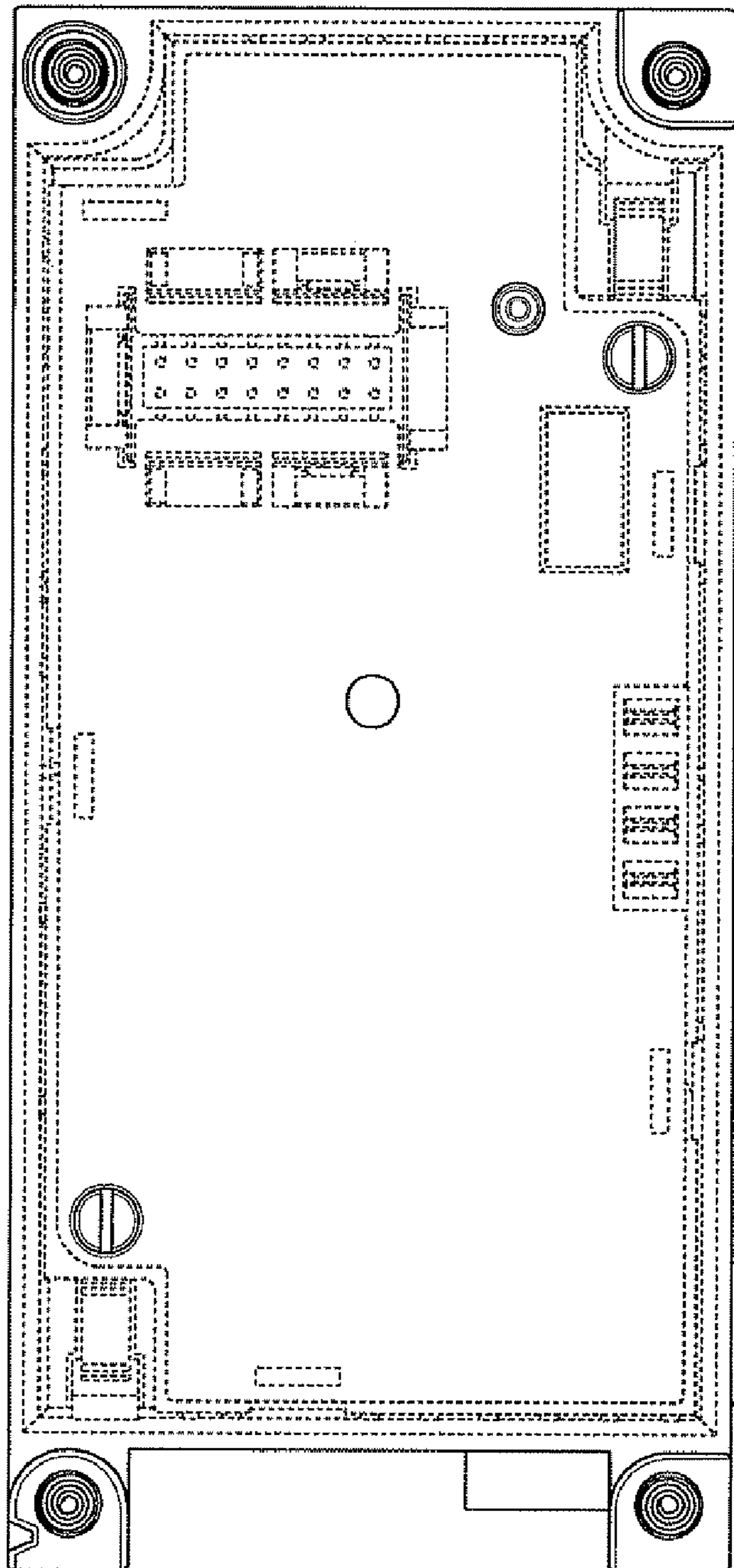


FIG 6

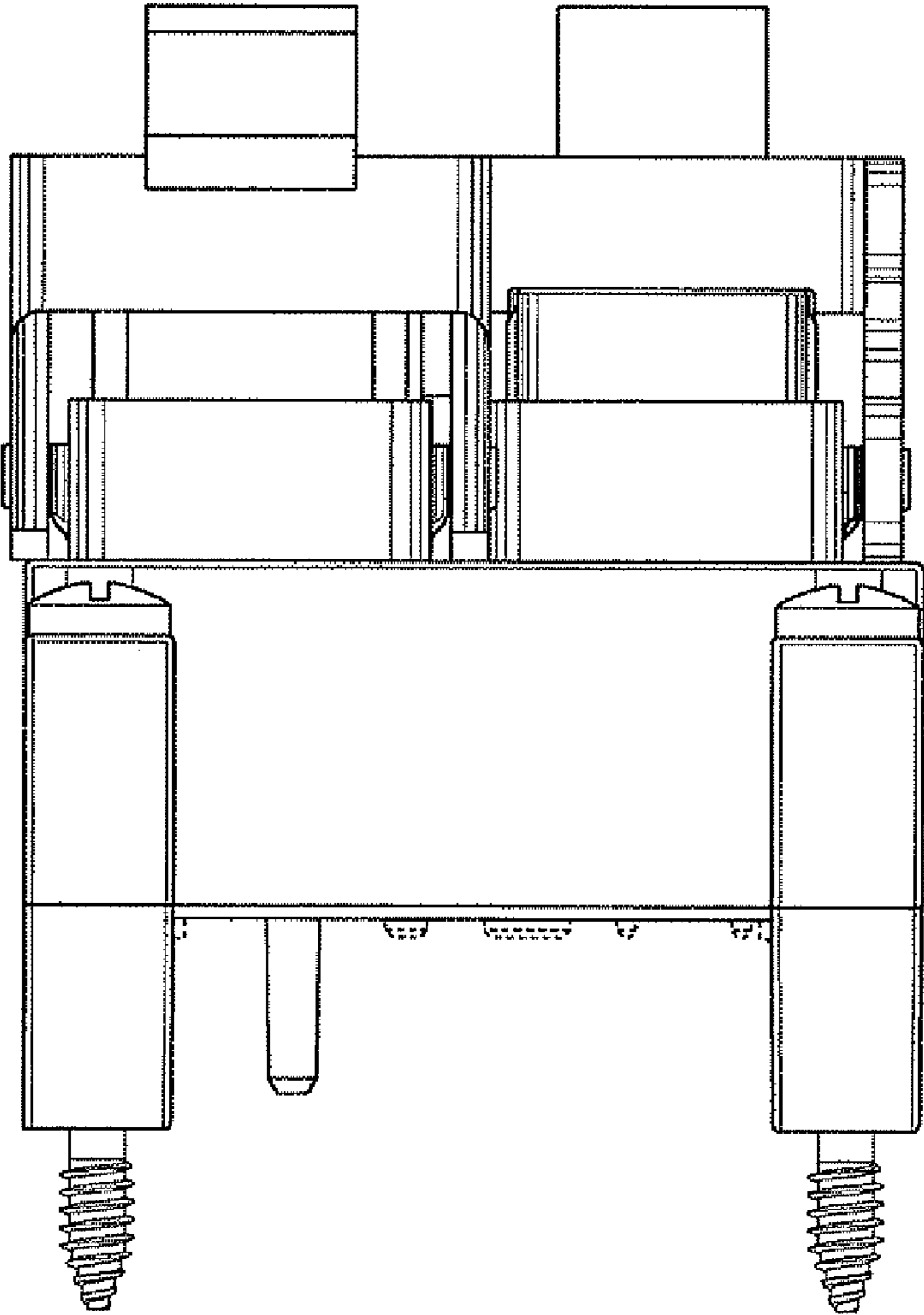


FIG 7

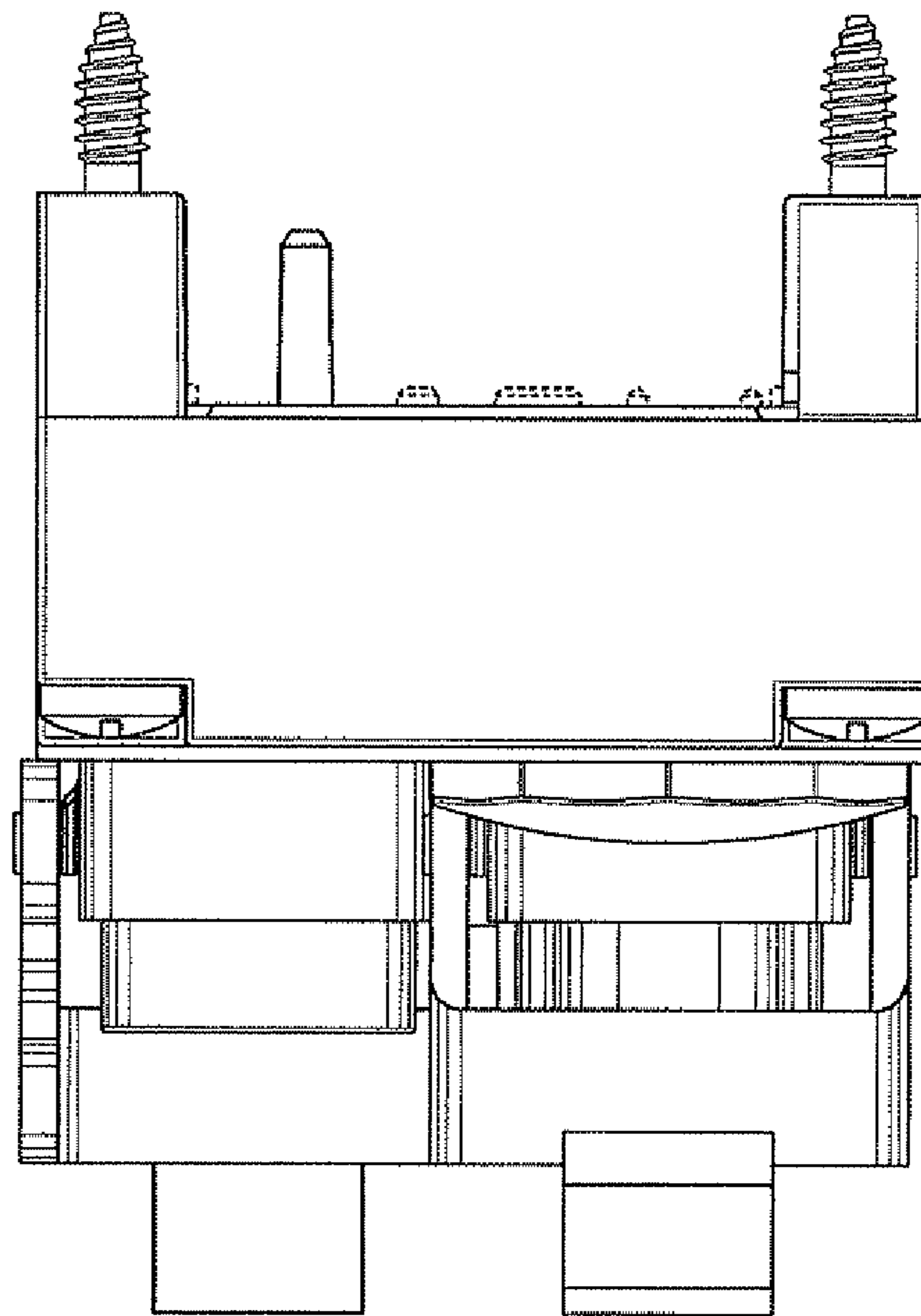


FIG 8

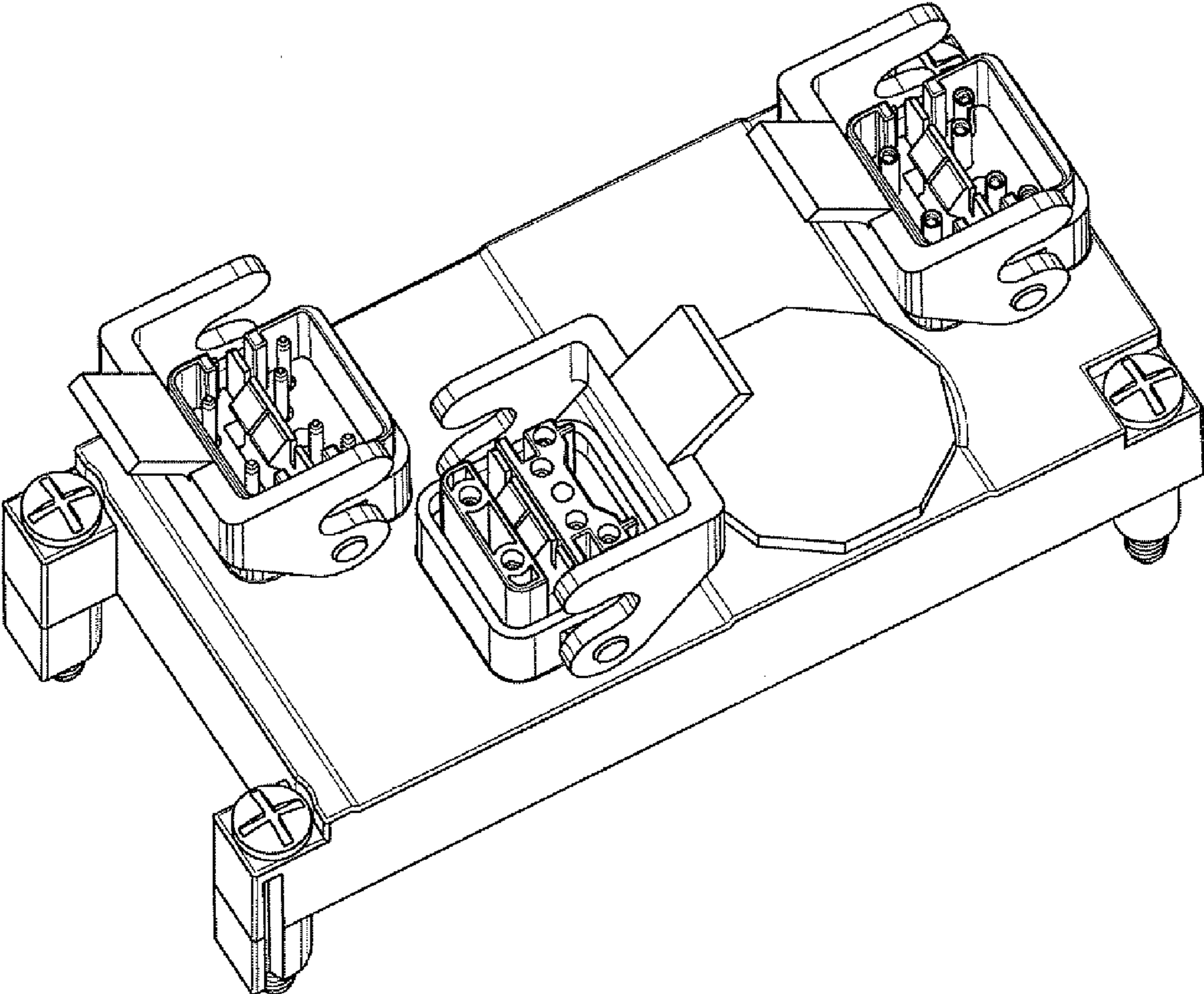


FIG 9

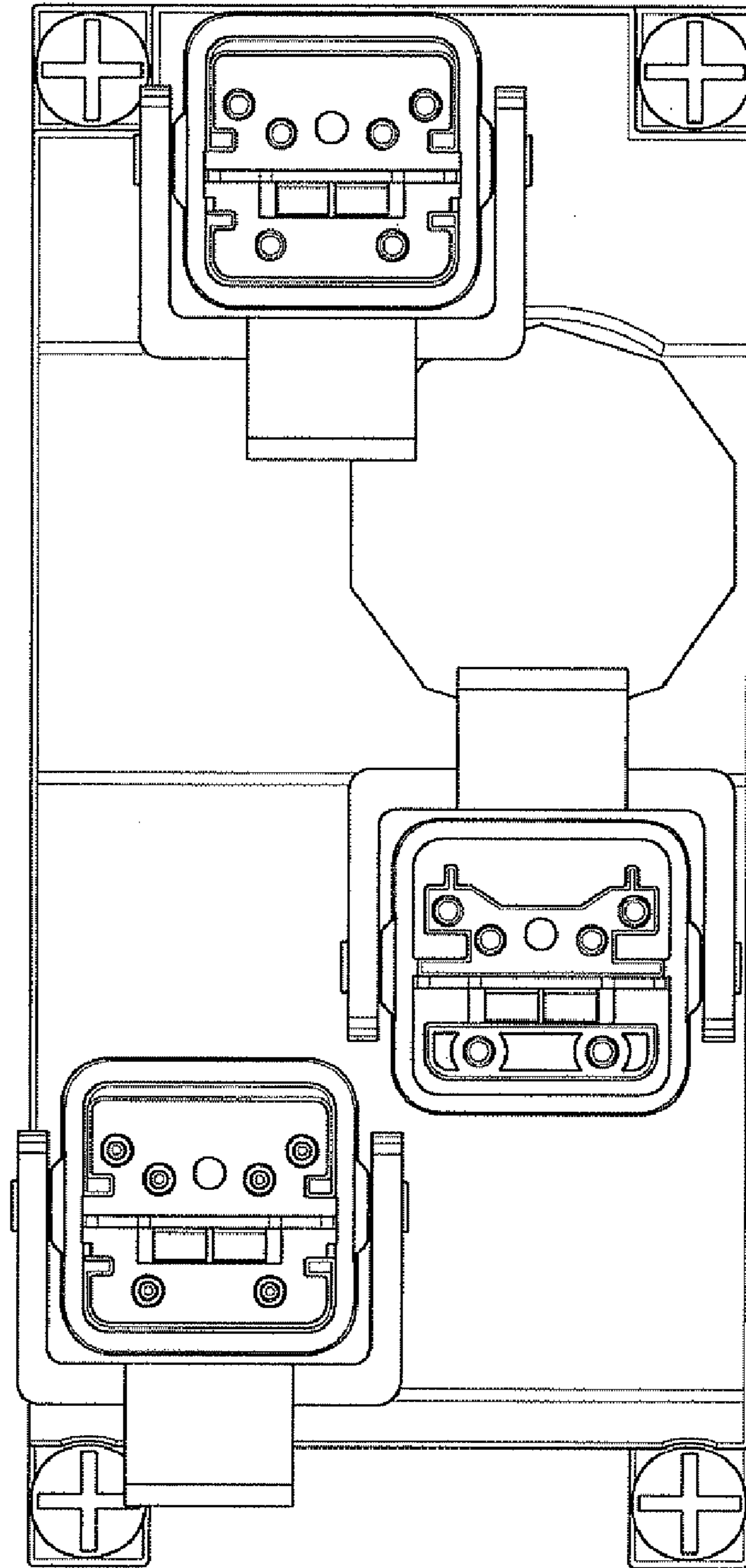


FIG 10

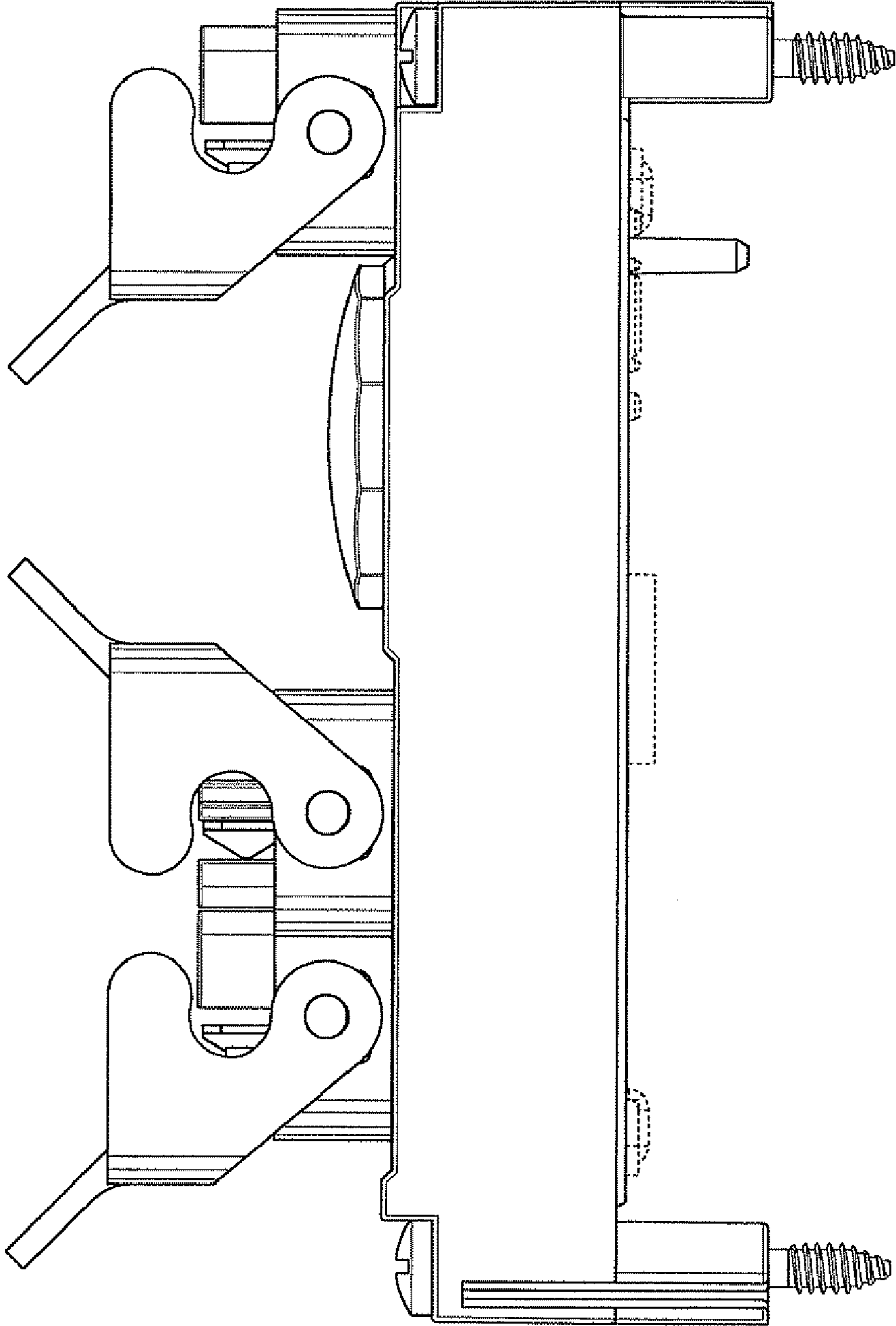


FIG 11

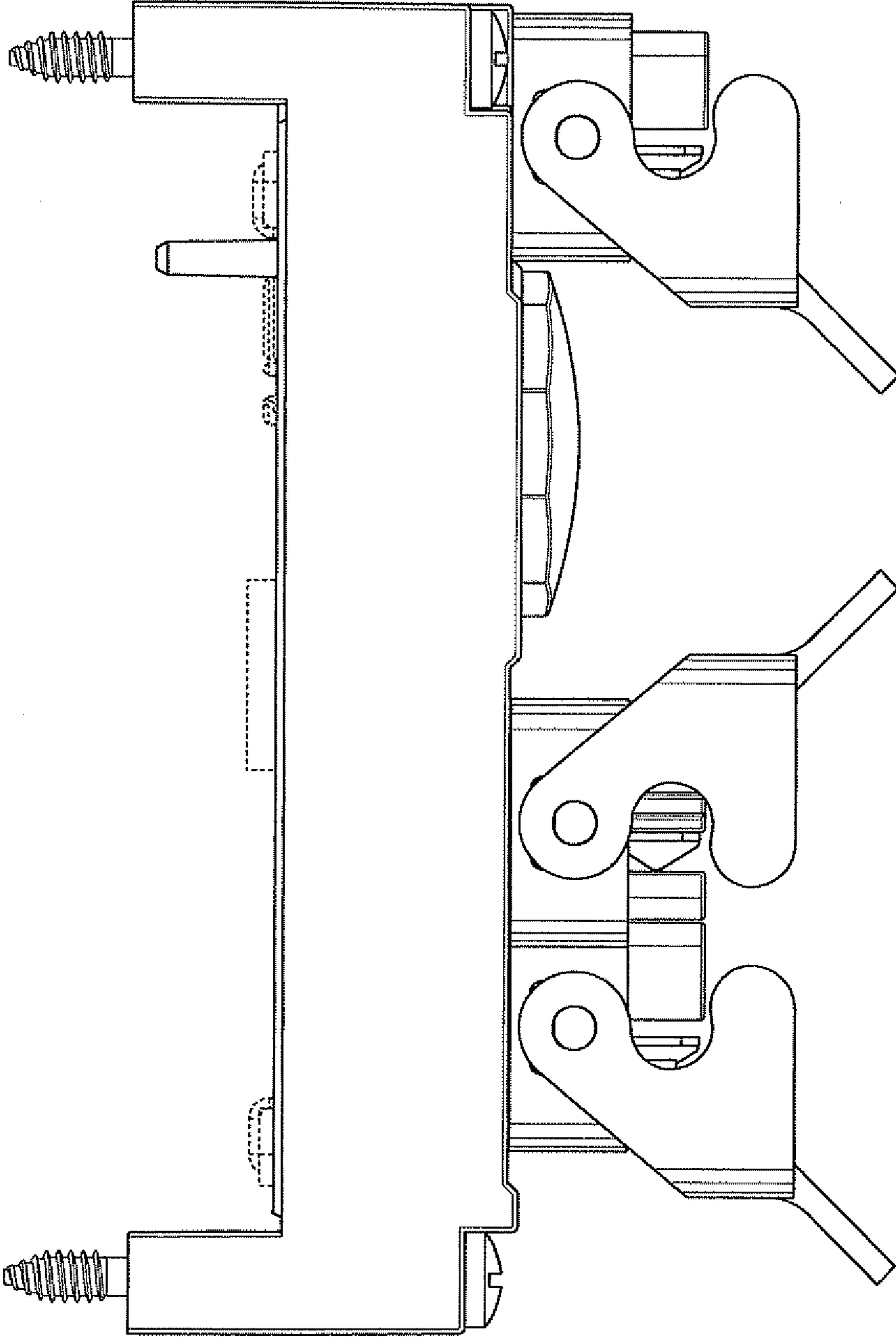


FIG 12

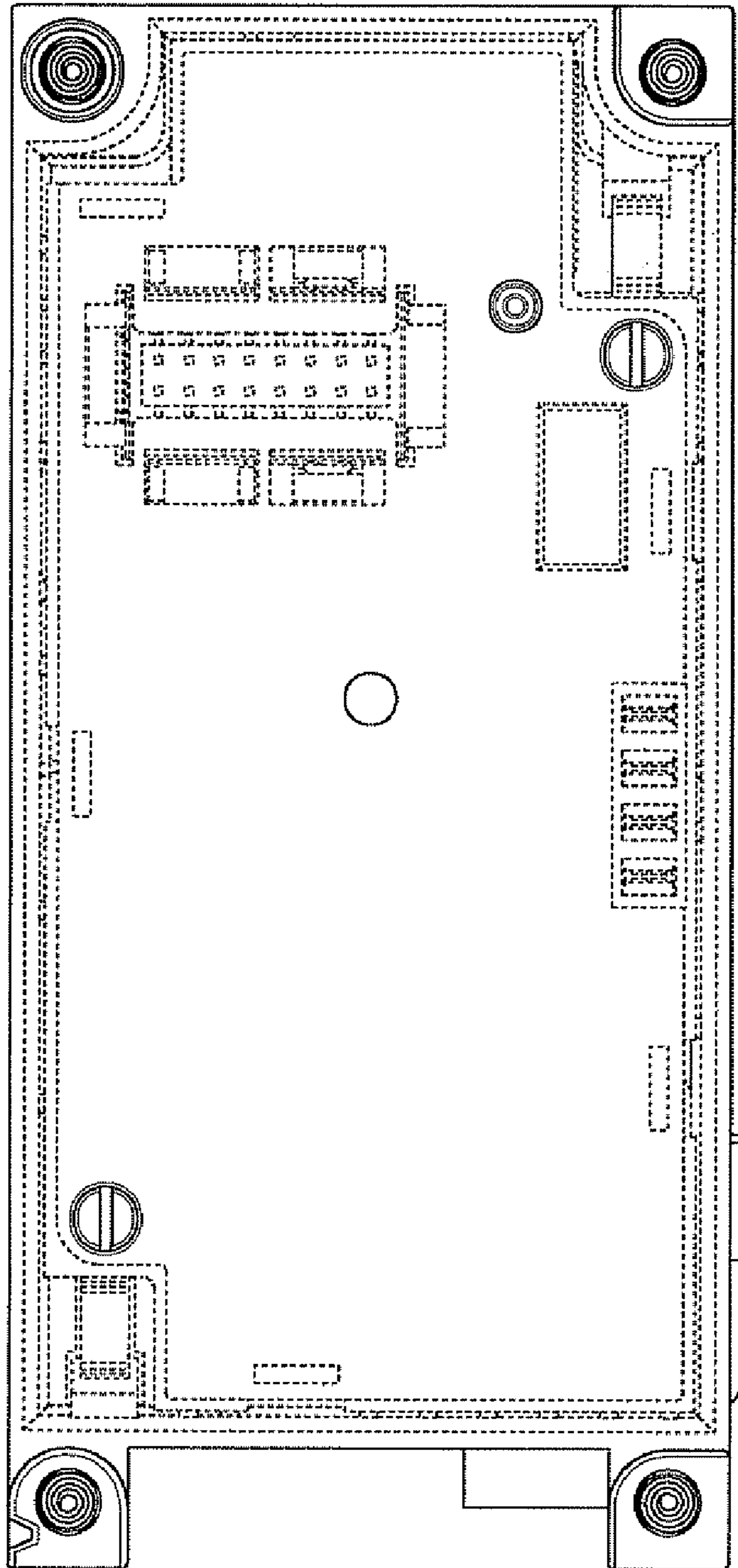


FIG 13

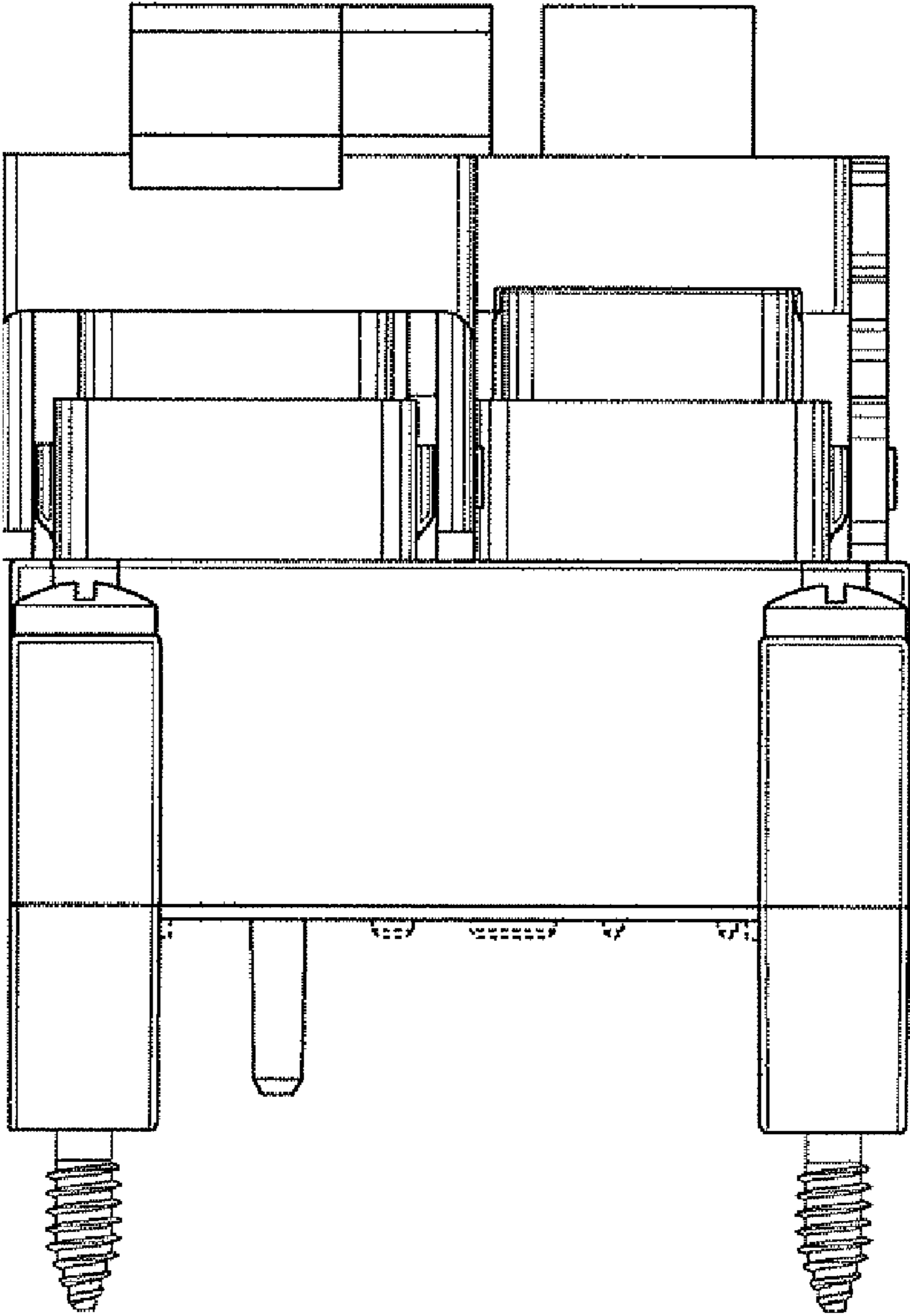


FIG 14

