

US00D573096S

(12) **United States Design Patent**  
**Guercio**

(10) **Patent No.:** **US D573,096 S**  
(45) **Date of Patent:** **\*\* Jul. 15, 2008**

(54) **POWER AND LIGHT POST**

D515,503 S \* 2/2006 Lee ..... D13/139.4  
D516,029 S \* 2/2006 Stekelenburg ..... D13/139.4  
7,041,899 B2 \* 5/2006 Stekelenburg ..... 174/50

(75) Inventor: **Vincenzo Guercio**, Wallkill, NY (US)

(73) Assignee: **RAB Lighting, Inc.**, Northvale, NJ (US)

\* cited by examiner

(\*\*) Term: **14 Years**

*Primary Examiner*—Cathron Brooks

*Assistant Examiner*—Rosemary K Tarcza

(21) Appl. No.: **29/236,262**

(74) *Attorney, Agent, or Firm*—Dannis S. Schell; Paul B. Overhauser

(22) Filed: **Aug. 12, 2005**

(51) **LOC (8) Cl.** ..... **13-03**

(52) **U.S. Cl.** ..... **D13/139.4**

(58) **Field of Classification Search** ..... D13/137.1,  
D13/137.3, 137.4, 139.1, 139.4–139.8, 124,  
D13/160, 162, 164, 178, 184; 439/106–108,  
439/188, 535, 650–654, 135–137, 140, 141,  
439/446, 521, 528, 536; 361/42, 641, 658;  
174/53, 67; D8/1

See application file for complete search history.

(56) **References Cited**

**U.S. PATENT DOCUMENTS**

D355,890 S \* 2/1995 Lentz ..... D13/139.4  
D424,524 S 5/2000 Guercio  
D431,477 S \* 10/2000 Stekelenburg ..... D10/40  
6,300,570 B1 \* 10/2001 Lai ..... 174/67  
D453,497 S \* 2/2002 Stekelenburg ..... D13/139.4  
D453,732 S \* 2/2002 Stekelenburg ..... D13/139.4  
D460,415 S \* 7/2002 Stekelenburg ..... D13/139.4

(57) **CLAIM**

The ornamental design for a power and light post, as shown and described.

**DESCRIPTION**

FIG. 1 is a front perspective view of a power and light post;  
FIG. 2 is a front view of the light post of FIG. 1;  
FIG. 3 is a left side view of the light post of FIG. 1, the right side view being a mirror image thereof;  
FIG. 4 is a rear view of the light post of FIG. 1;  
FIG. 5 is a top view of the light post of FIG. 1; and,  
FIG. 6 is a bottom view of the light post of FIG. 1.

The broken lines shown in the drawings are included for the purpose of illustrating environmental structure and form no part of the claimed design.

**1 Claim, 5 Drawing Sheets**

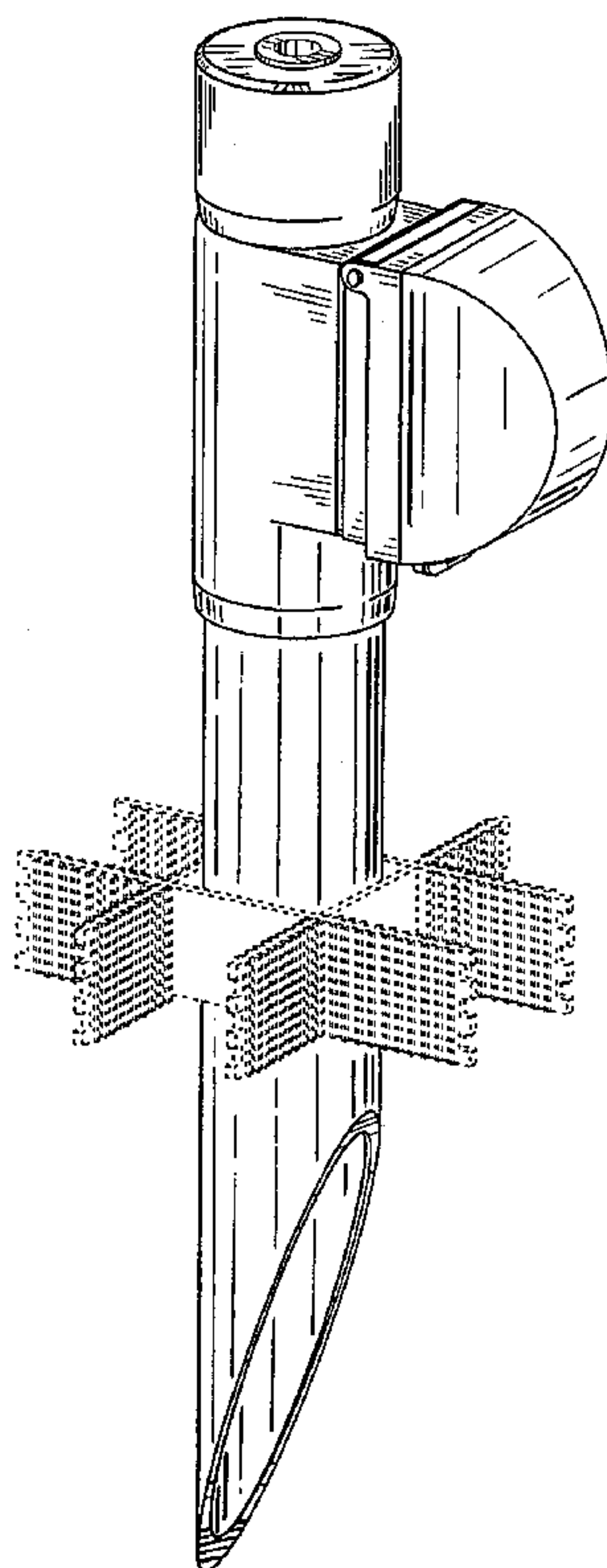


FIGURE 1

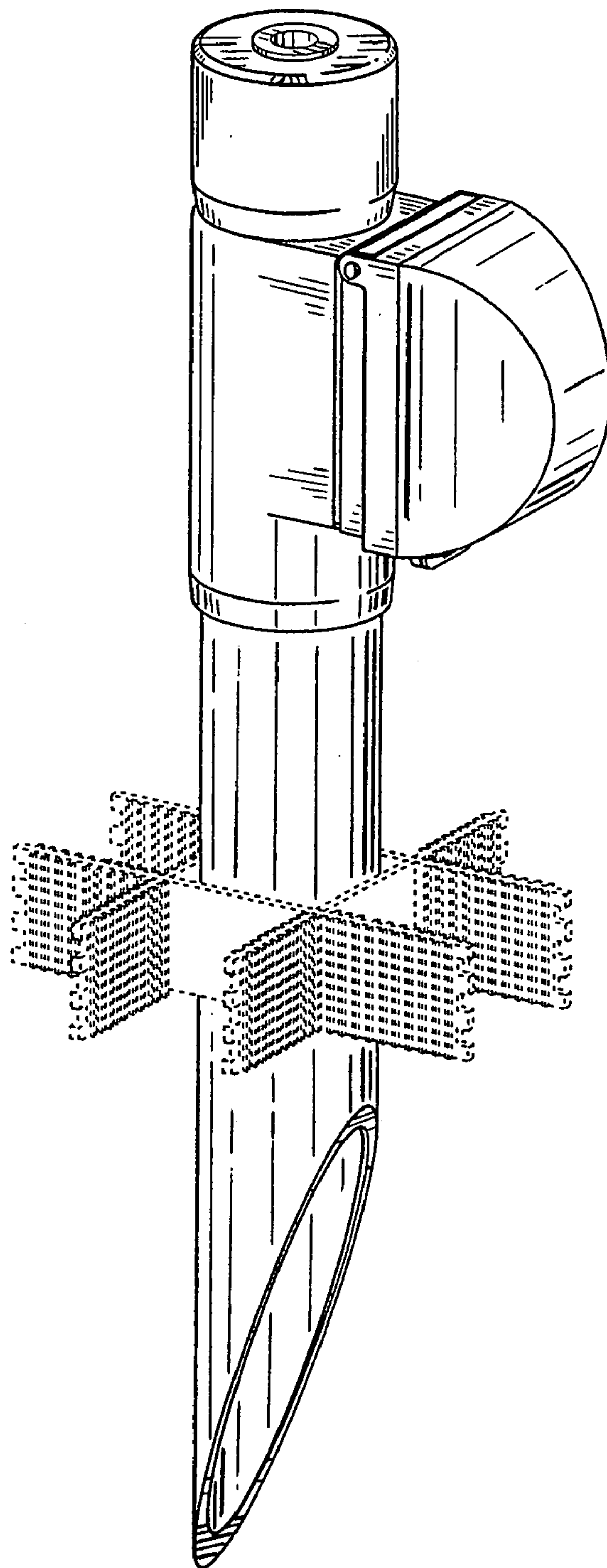


FIGURE 2

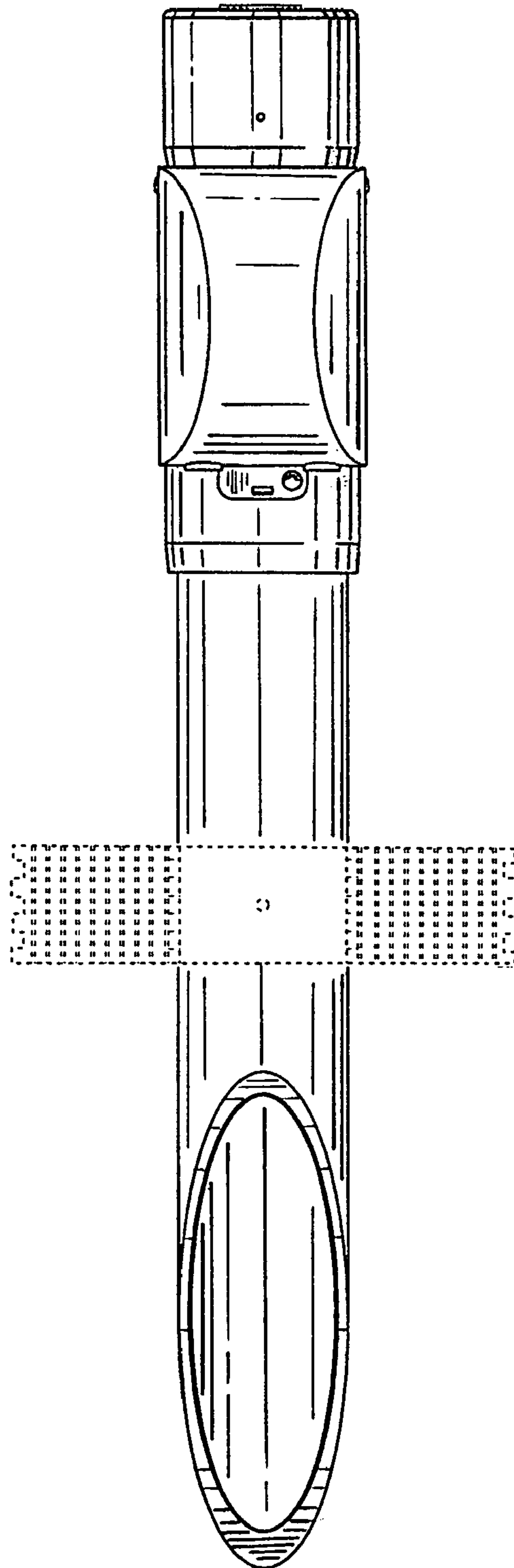


FIGURE 3

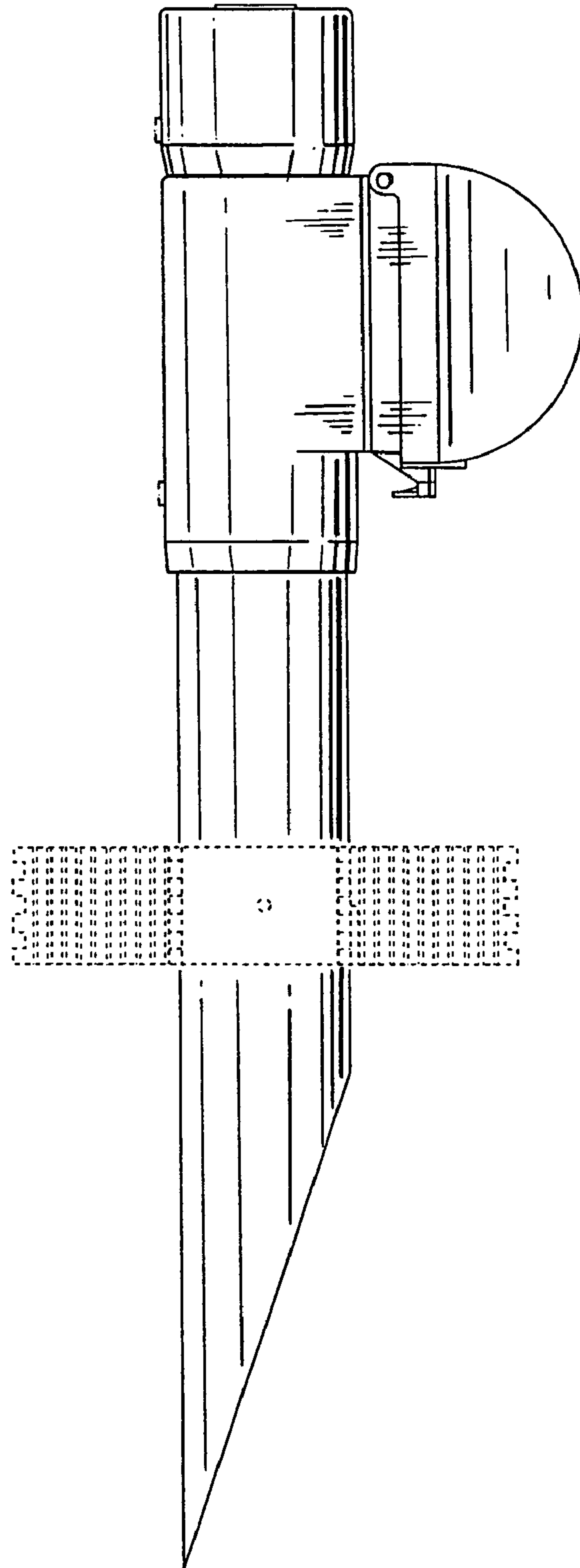


FIGURE 4

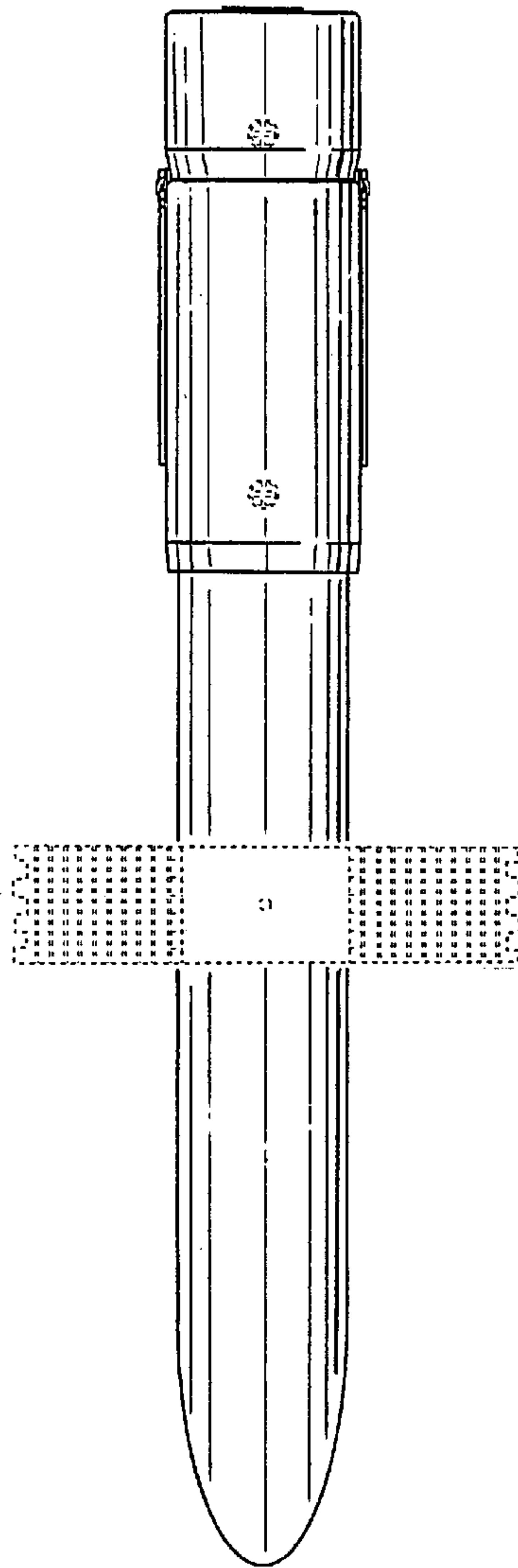


FIGURE 5

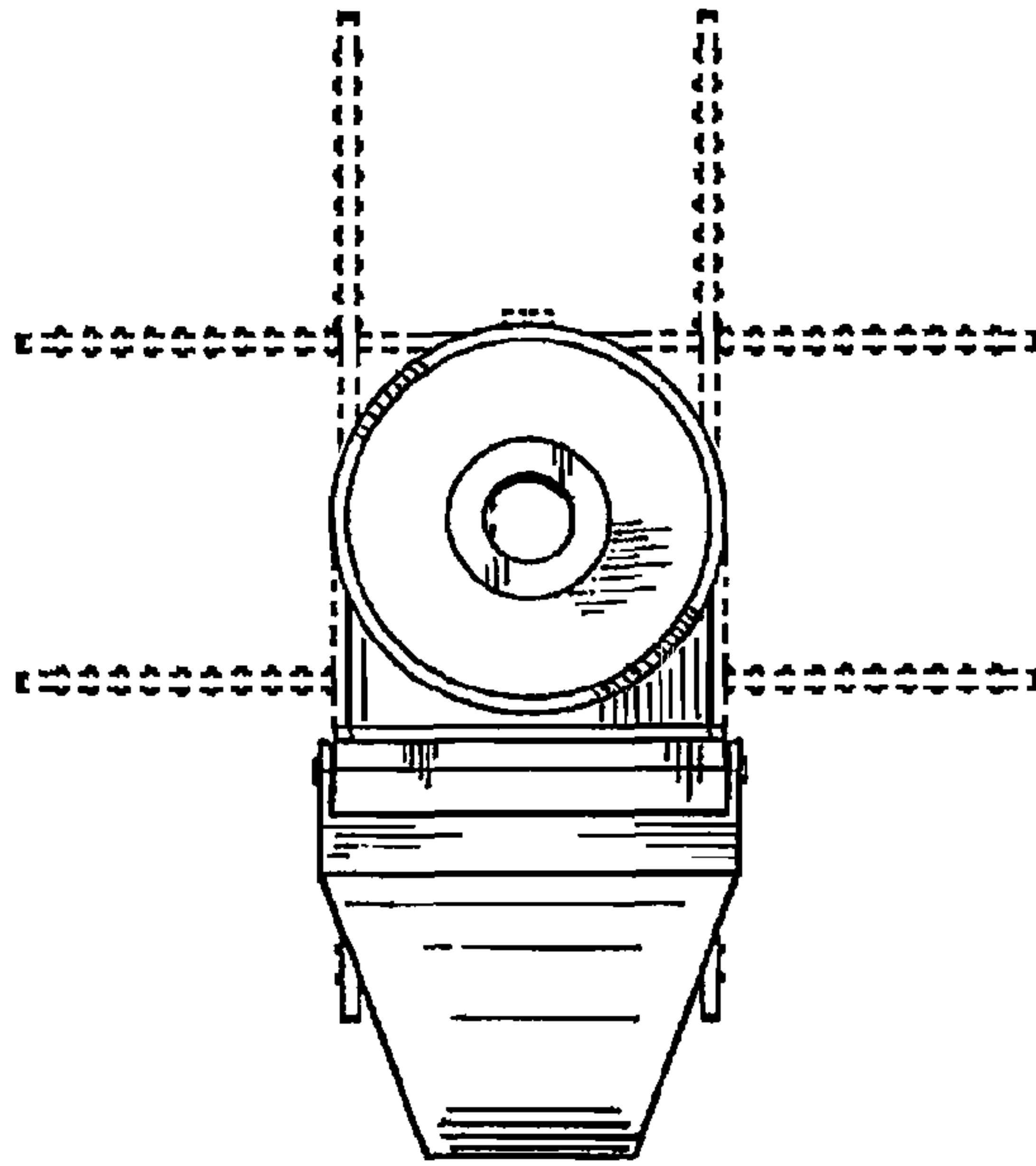


FIGURE 6

