



US00D573095S

(12) **United States Design Patent**
Poupore et al.

(10) **Patent No.:** **US D573,095 S**
(45) **Date of Patent:** **** Jul. 15, 2008**

(54) **SPLITABLE Y CONNECTOR**

D561,112 S * 2/2008 Victor D13/154

(75) Inventors: **Timothy J. Poupore**, Toronto (CA);
Eric Leclerc Boutin, Vaudreuil-Dorion (CA)

* cited by examiner

Primary Examiner—Daniel D Bui
Assistant Examiner—Thomas J Johannes

(73) Assignee: **IPEX Inc.**, Ontario (CA)

(57) **CLAIM**

(**) Term: **14 Years**

We claim the ornamental design for a splittable Y connector, as shown and described.

(21) Appl. No.: **29/274,452**

(22) Filed: **Apr. 25, 2007**

DESCRIPTION

(51) **LOC (8) Cl.** **13-03**

(52) **U.S. Cl.** **D13/133**

(58) **Field of Classification Search** D13/133,
D13/146, 147, 153, 154, 184, 199; 439/489,
439/502, 505, 578, 584, 585, 625; 174/72 R
See application file for complete search history.

FIG. 1 is a top perspective view of one half of a splittable Y connector engaging an identical other half of the splittable Y connector showing our new design;

FIG. 2 is a bottom plan view of the one half of the splittable Y connector shown in FIG. 1;

FIG. 3 is a top plan view of the one half splittable Y connector shown in FIG. 2;

FIG. 4 is a front elevational view of the splittable Y connector shown in FIG. 1;

FIG. 5 is a left elevational view of the splittable Y connector shown in FIG. 1;

FIG. 6 is a rear elevational view of the splittable Y connector shown in FIG. 1;

FIG. 7 is a right elevational view of the splittable Y connector shown in FIG. 1; and,

FIG. 8 is a top perspective view of the one half of the splittable Y connector shown in FIG. 2.

(56) **References Cited**

U.S. PATENT DOCUMENTS

D301,243 S *	5/1989	Chino	D14/217
D347,208 S *	5/1994	Martin et al.	D13/133
D381,008 S *	7/1997	Parsons et al.	D13/153
D385,254 S *	10/1997	Owusu	D13/133
D415,102 S *	10/1999	Suzuki et al.	D13/133
D448,347 S *	9/2001	Zoiss et al.	D13/146
D514,520 S *	2/2006	Bahramian	D13/147
D515,511 S *	2/2006	Nishio et al.	D13/147
D550,157 S *	9/2007	Victor	D13/133
D552,560 S *	10/2007	Victor	D13/154
D557,213 S *	12/2007	Wang	D13/133

1 Claim, 4 Drawing Sheets

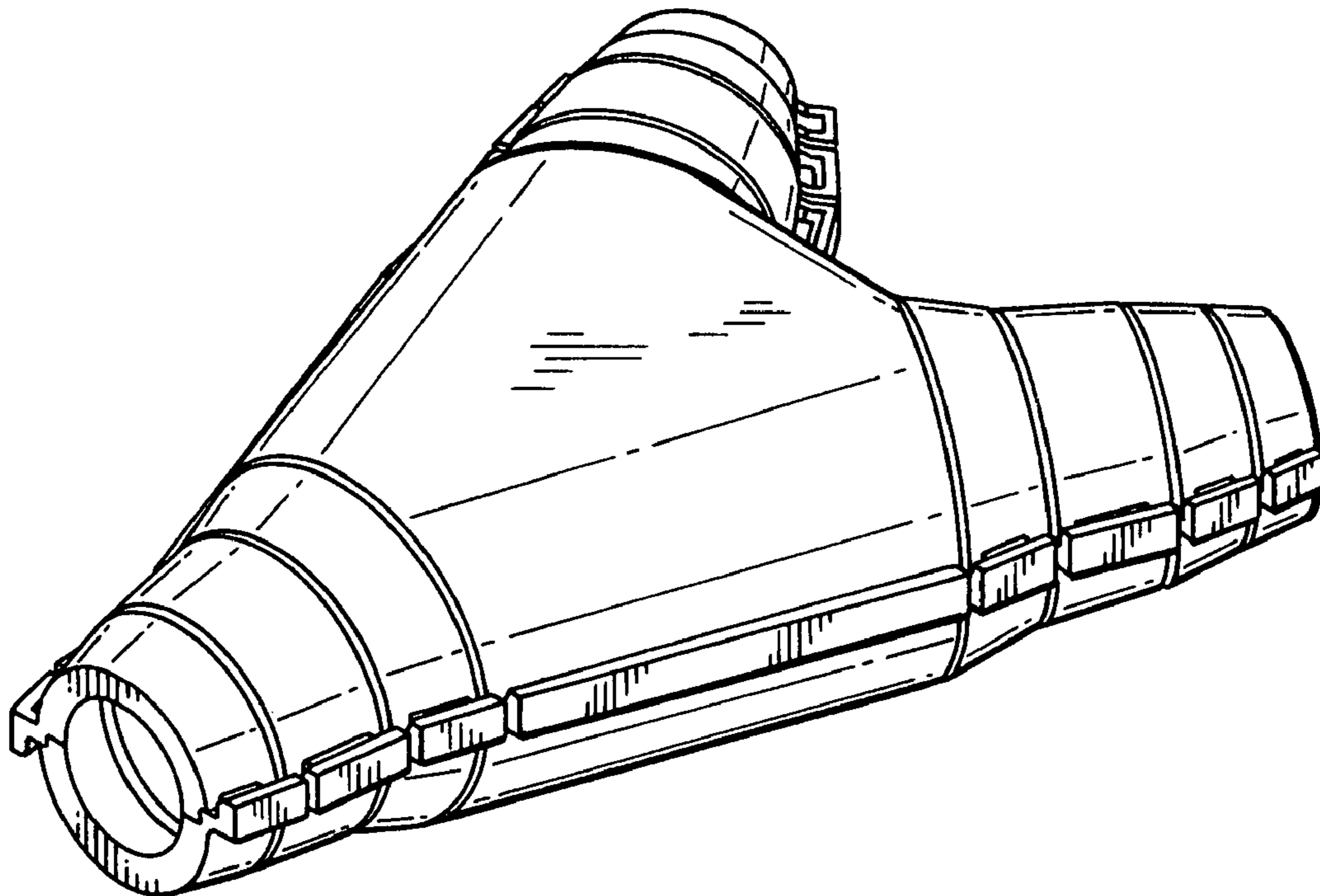


FIG. 1.

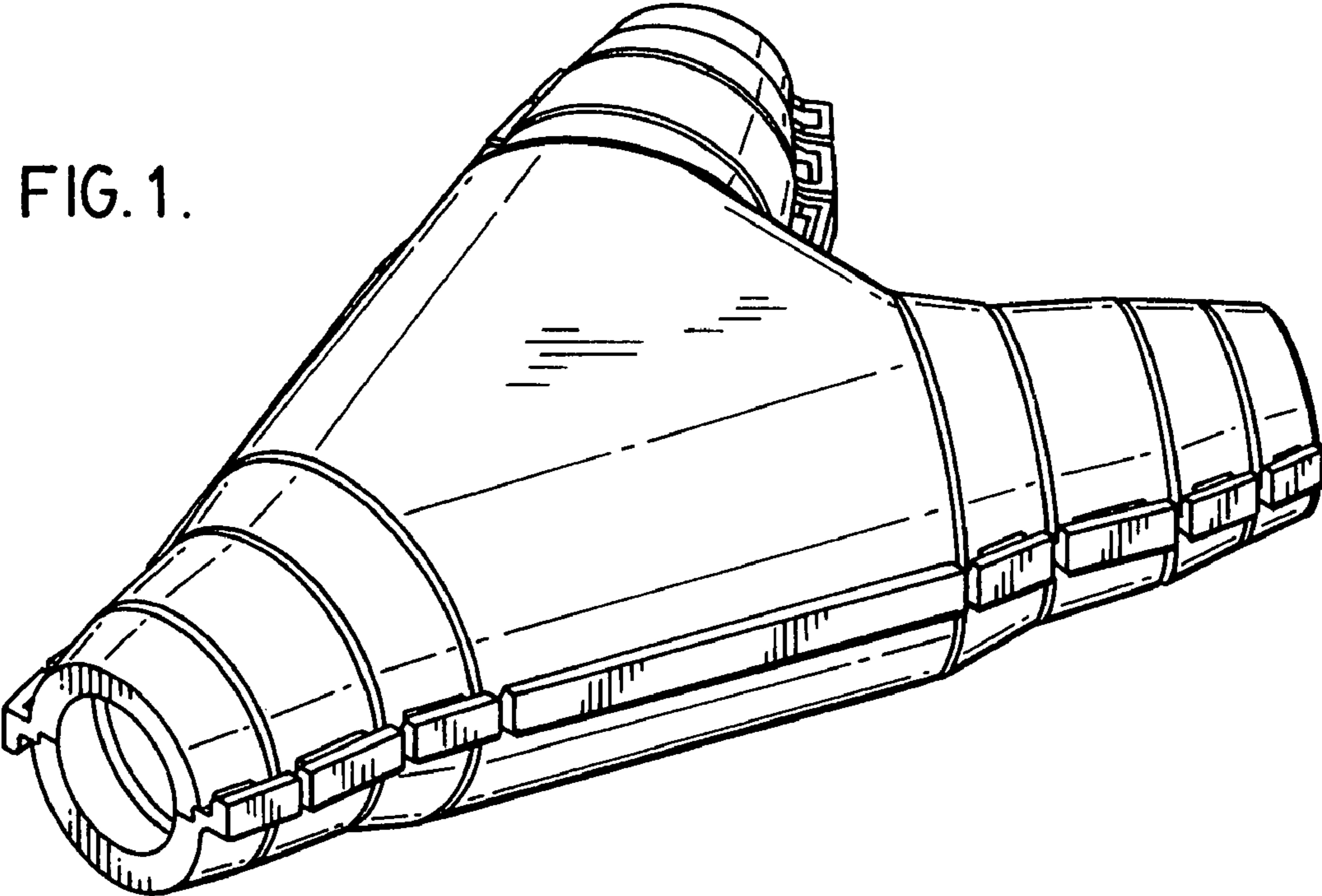


FIG. 2.

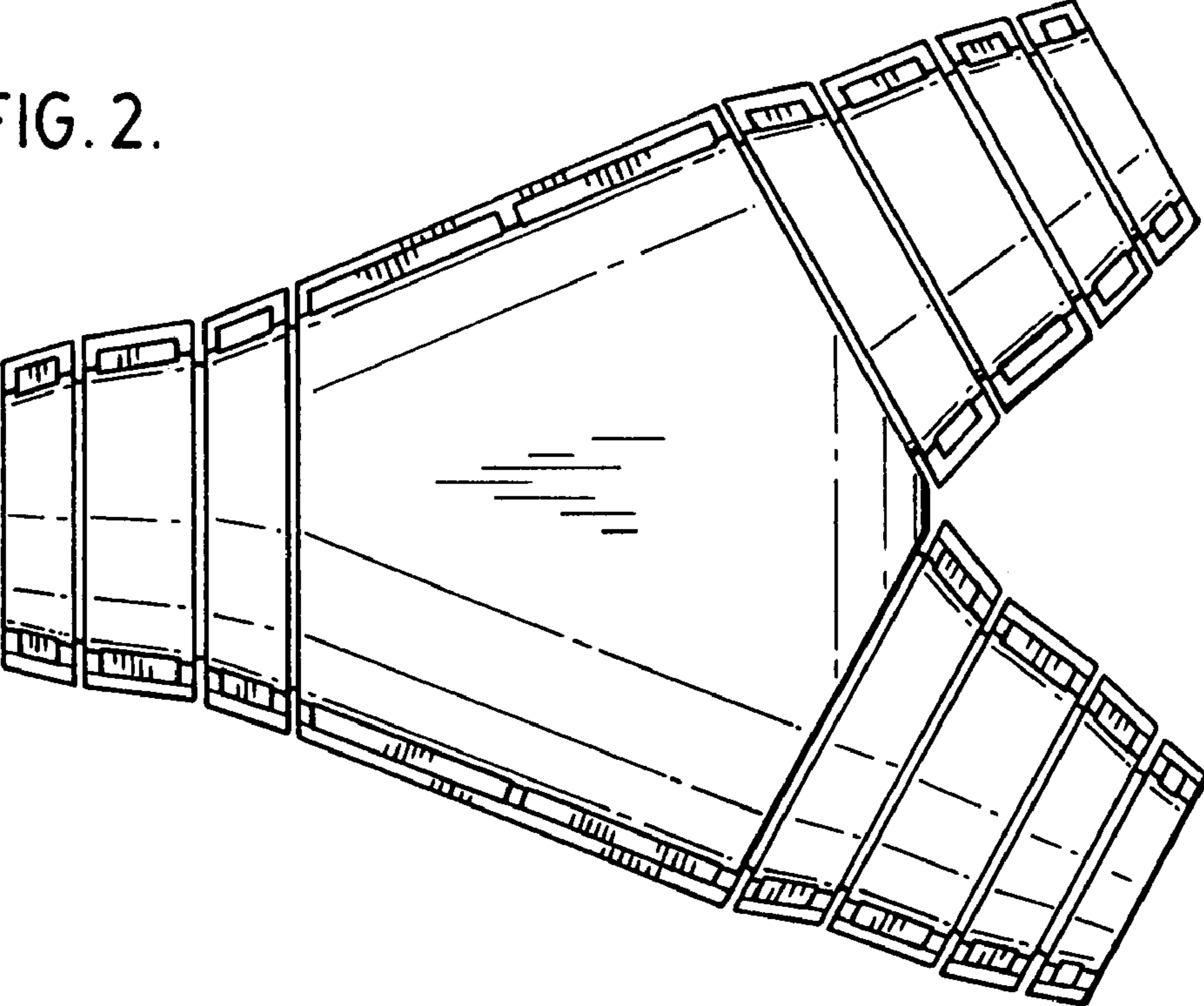


FIG. 3.

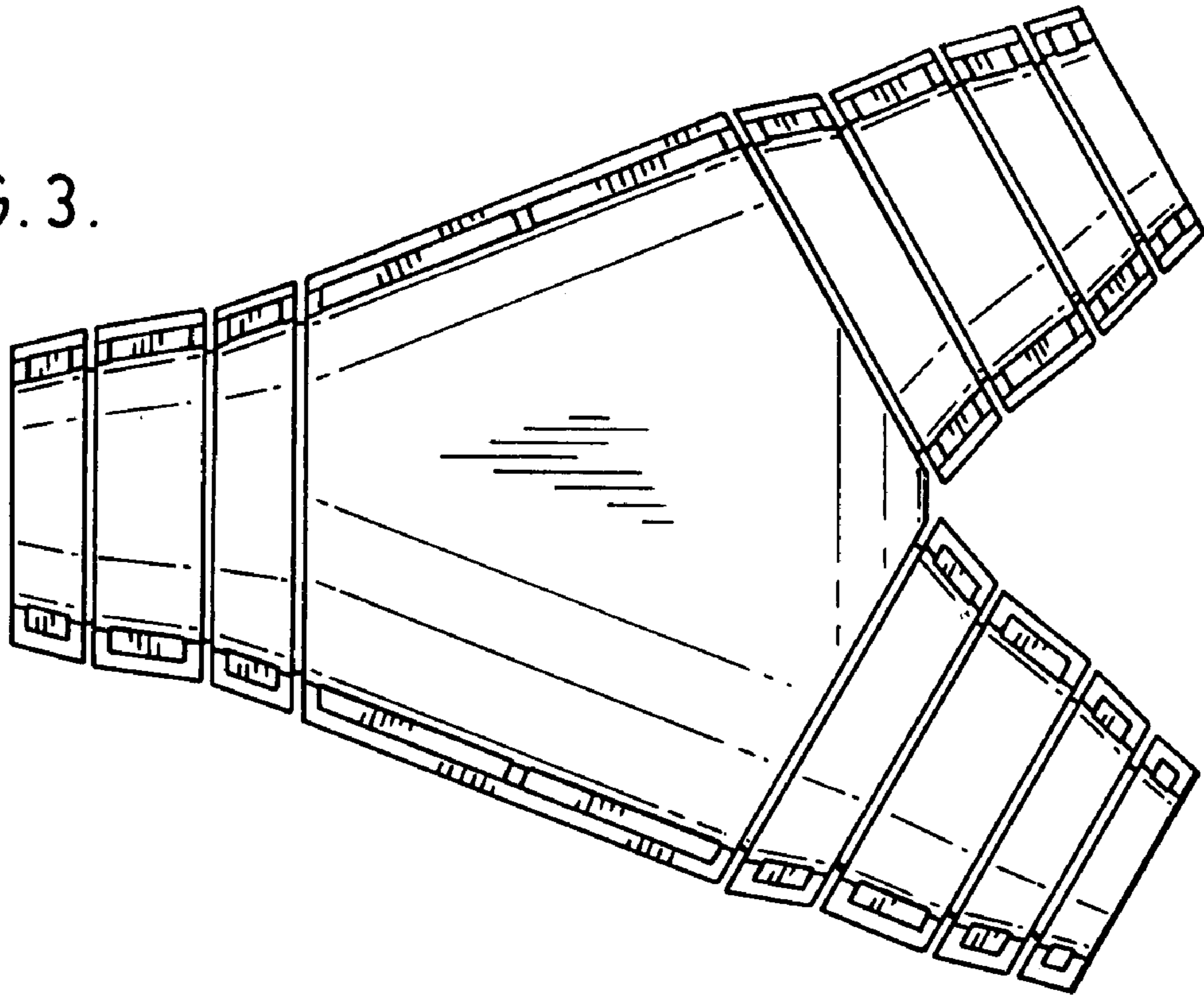


FIG. 4.

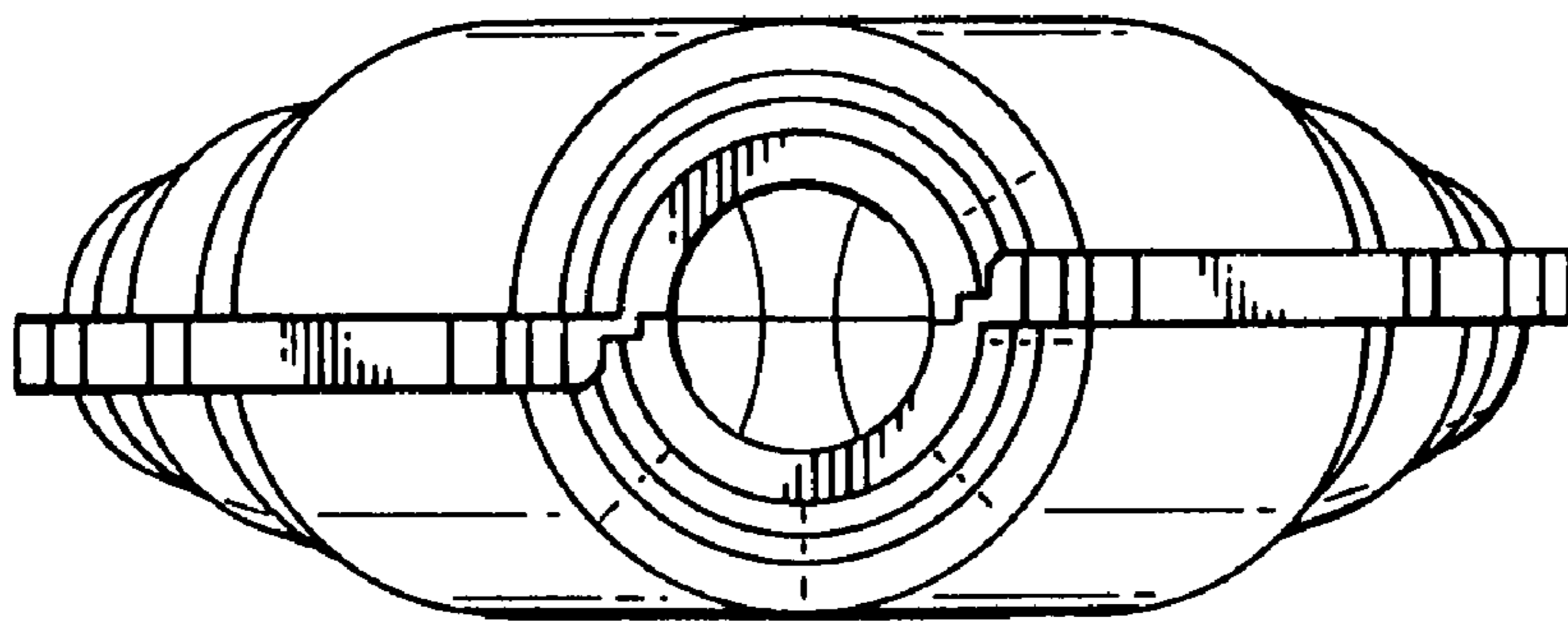


FIG. 5.

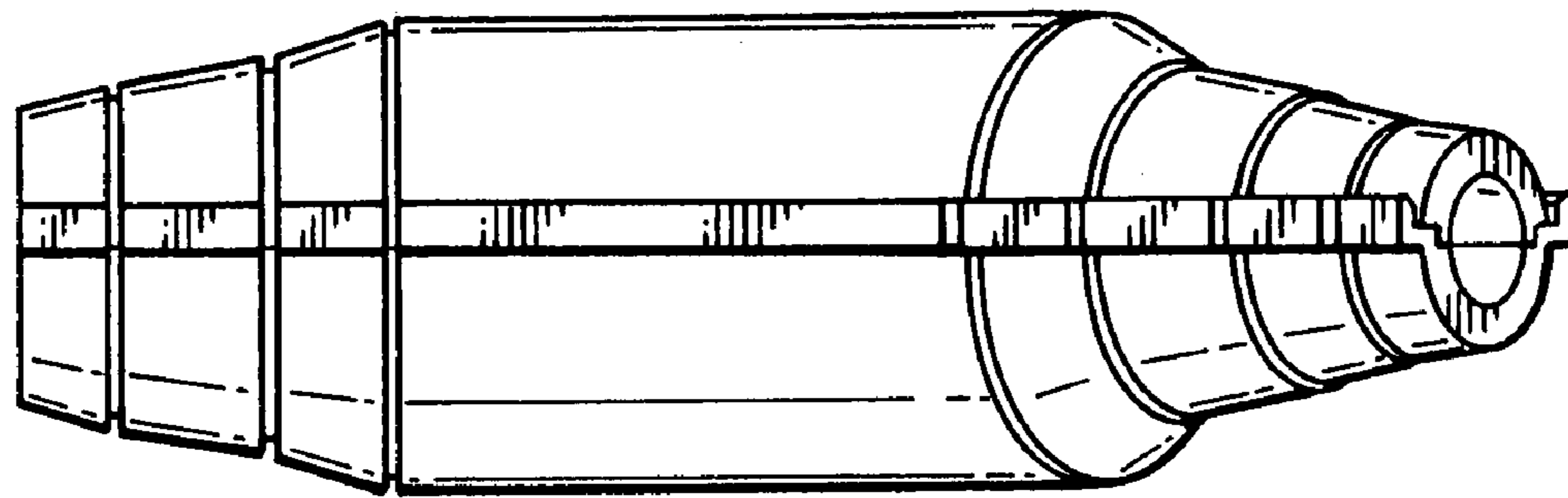


FIG. 6.

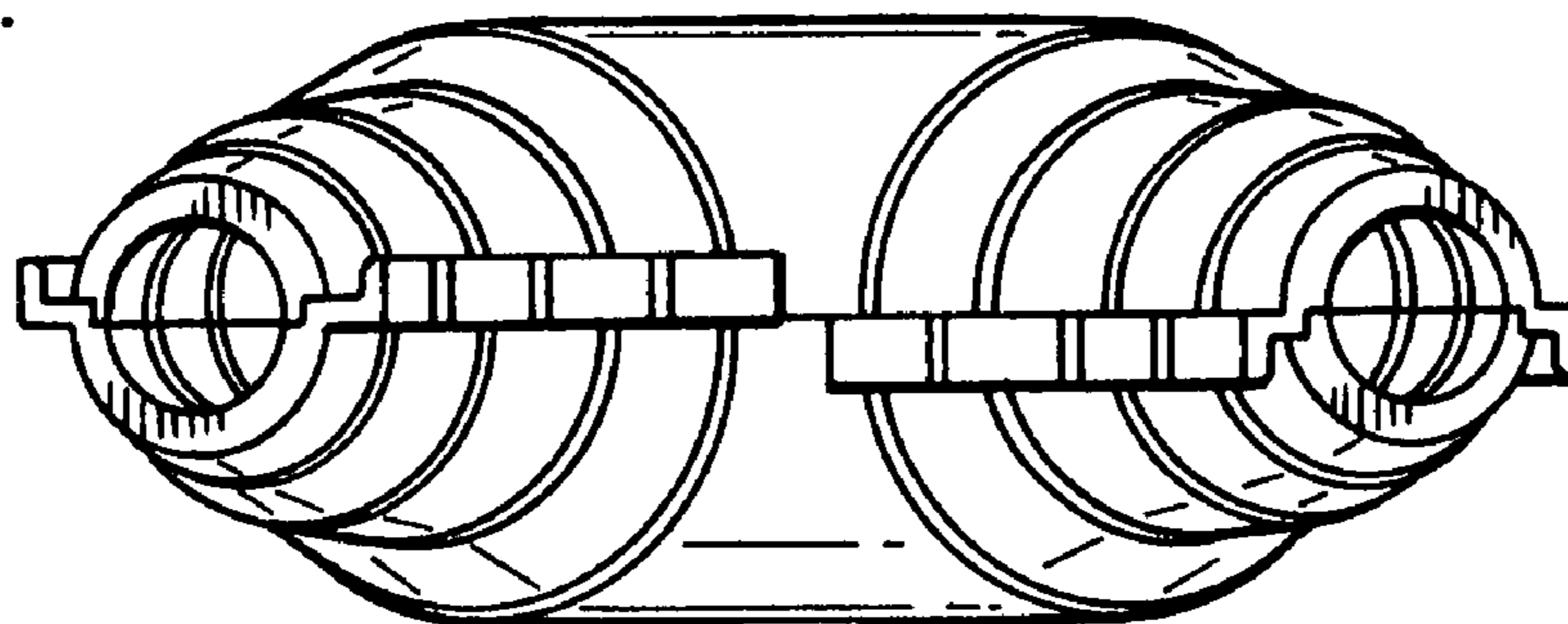
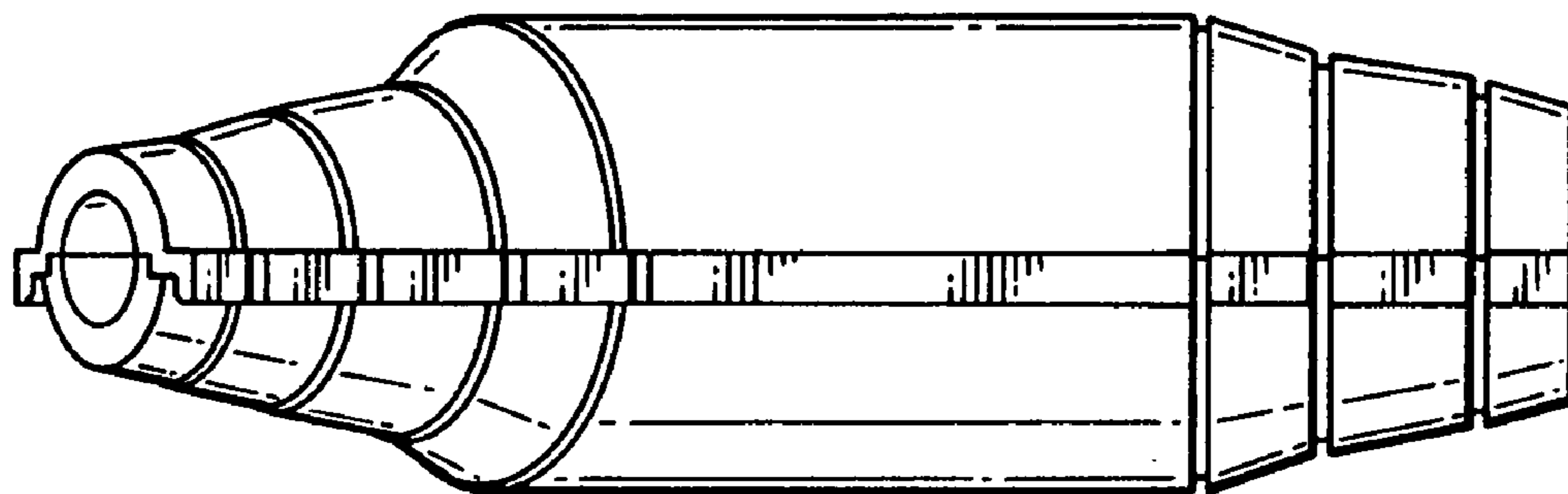


FIG. 7.



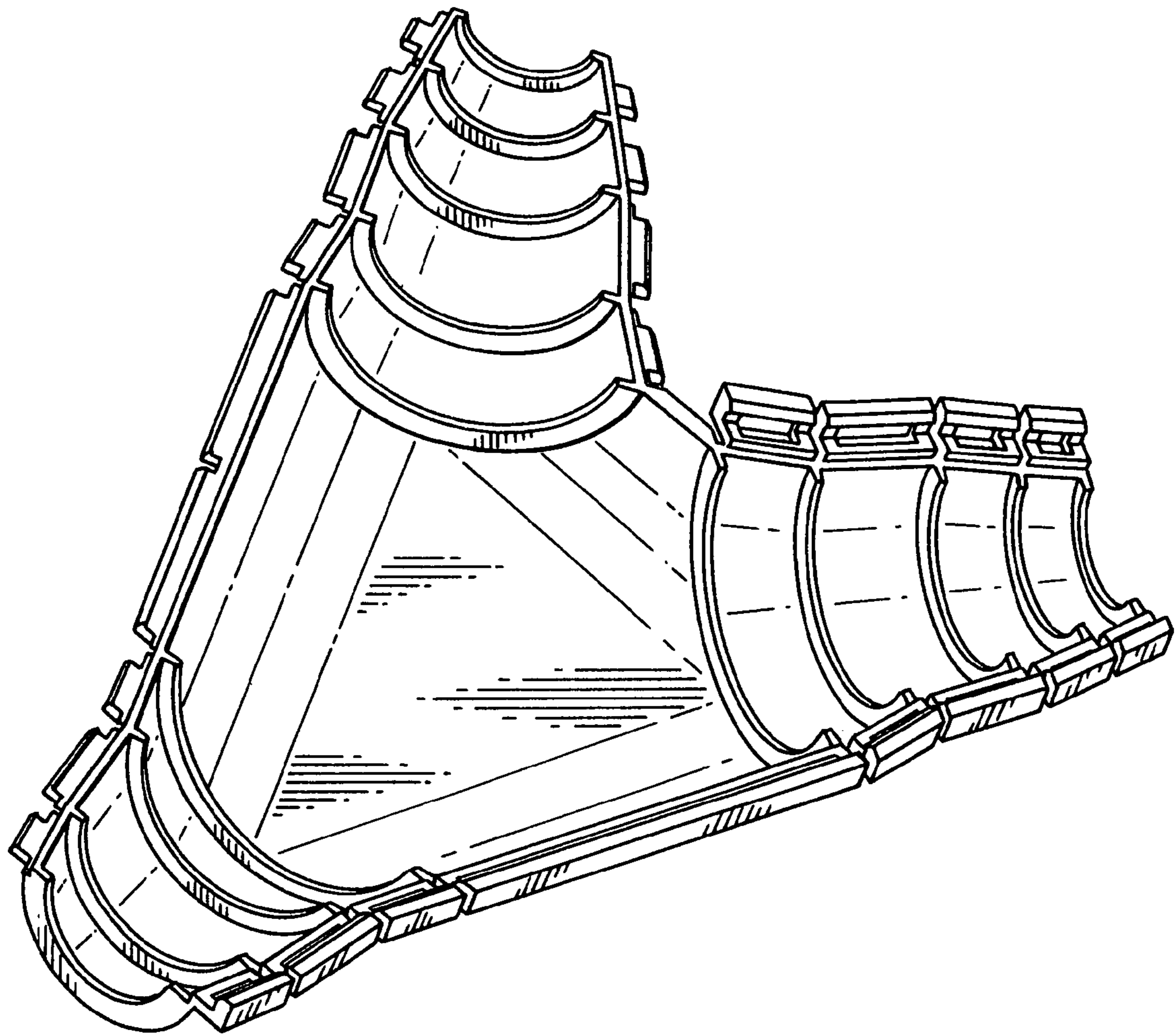


FIG. 8.