



US00D573094S

(12) **United States Design Patent**
So

(10) **Patent No.:** **US D573,094 S**

(45) **Date of Patent:** **** Jul. 15, 2008**

(54) **TERMINAL CONNECTOR**

D499,073 S * 11/2004 Lin D13/147
7,182,633 B2 * 2/2007 Byrne 439/536

(75) Inventor: **Shun Tong So**, Hong Kong (CN)

* cited by examiner

(73) Assignee: **Morning Star Industrial Company Limited**, Kwun Tong (HK)

Primary Examiner—Daniel Bui
(74) *Attorney, Agent, or Firm*—McDermott Will & Emery LLP

(**) Term: **14 Years**

(21) Appl. No.: **29/265,276**

(57) **CLAIM**

(22) Filed: **Aug. 29, 2006**

The ornamental design for a terminal connector, substantially as shown and described.

(51) **LOC (8) Cl.** **13-03**

(52) **U.S. Cl.** **D13/133**

(58) **Field of Classification Search** D13/133,
D13/146–147, 154, 184, 199; D14/140,
D14/217, 240, 256, 299, 356; 439/344, 538,
439/535–536, 571, 573, 650, 676

See application file for complete search history.

DESCRIPTION

(56) **References Cited**

U.S. PATENT DOCUMENTS

5,423,697 A * 6/1995 MacGregor 439/638
D425,022 S * 5/2000 Jaag et al. D13/133
6,478,621 B2 * 11/2002 Ma et al. 439/607
D478,563 S * 8/2003 Brown D14/188
D491,892 S * 6/2004 Moriwake et al. D13/147

FIG. 1 is a front view of the terminal connector showing the new design;

FIG. 2 is a rear view of the terminal connector;

FIG. 3 is a side view of the terminal connector;

FIG. 4 is another side view of the terminal connector.

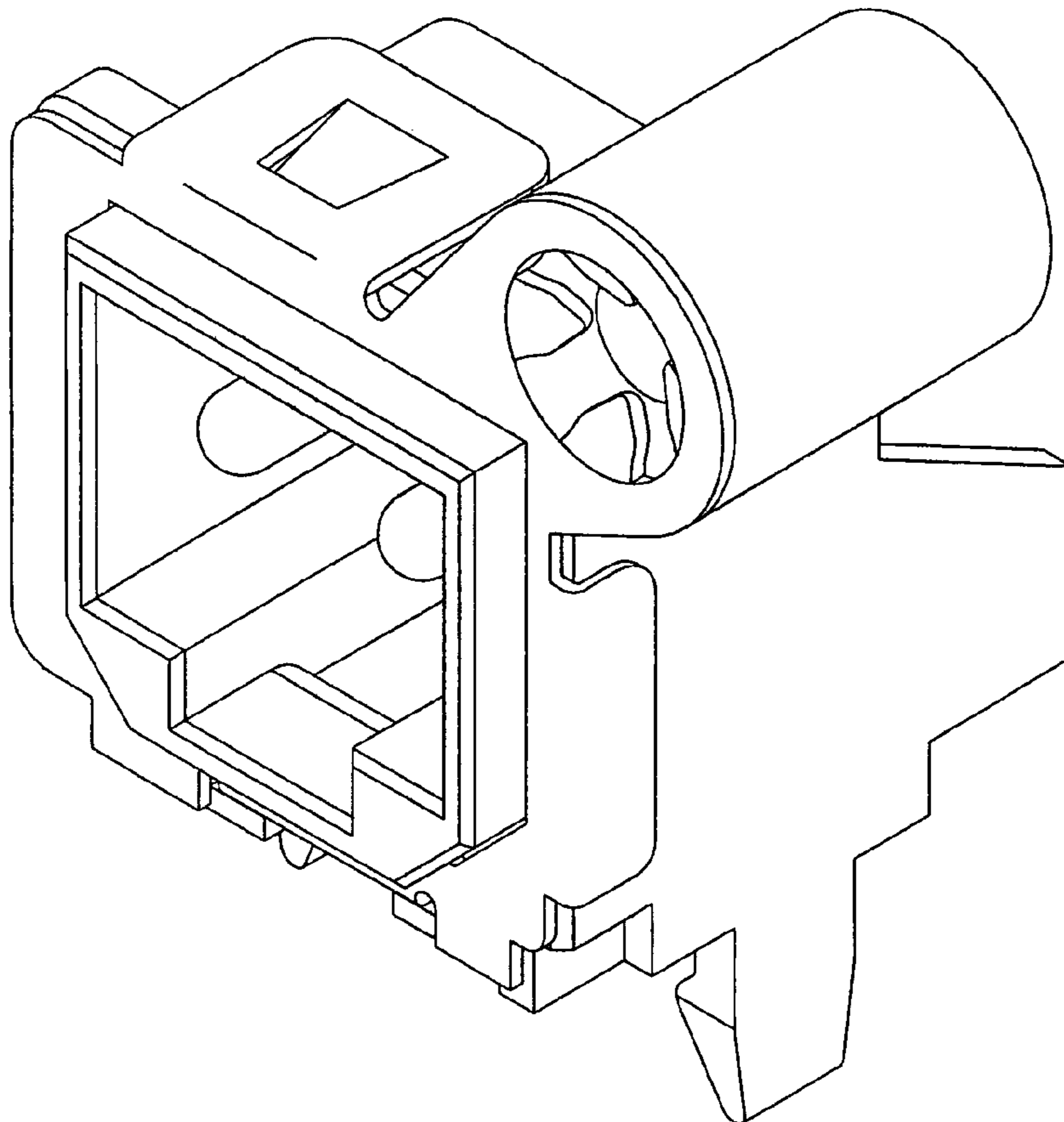
FIG. 5 is a top view the terminal connector;

FIG. 6 is bottom view of the terminal connector; and,

FIG. 7 is a front perspective view of the terminal connector.

The broken line showing of the environment is for illustrative purposes only and forms no part of the claimed design.

1 Claim, 7 Drawing Sheets



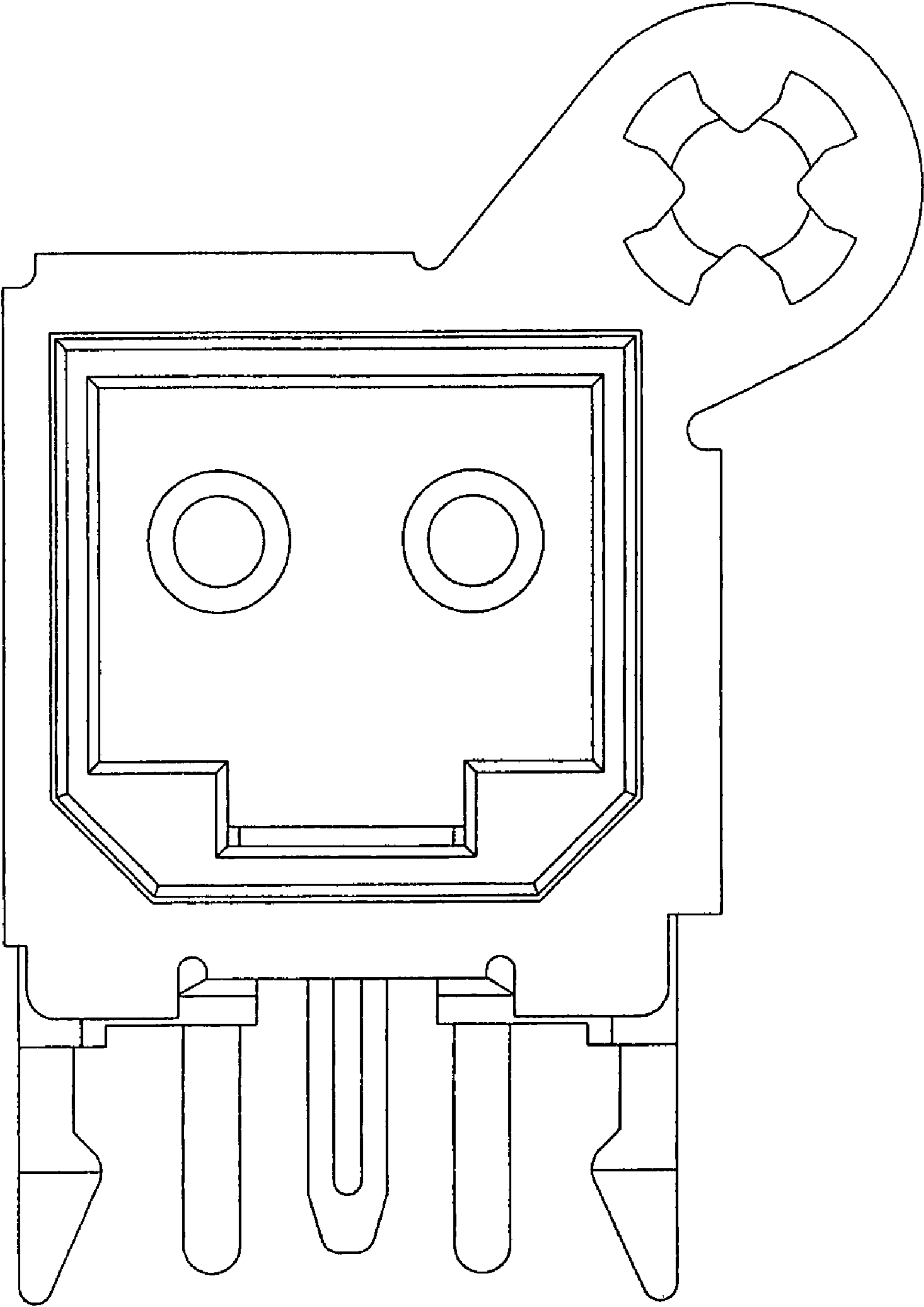


FIGURE 1

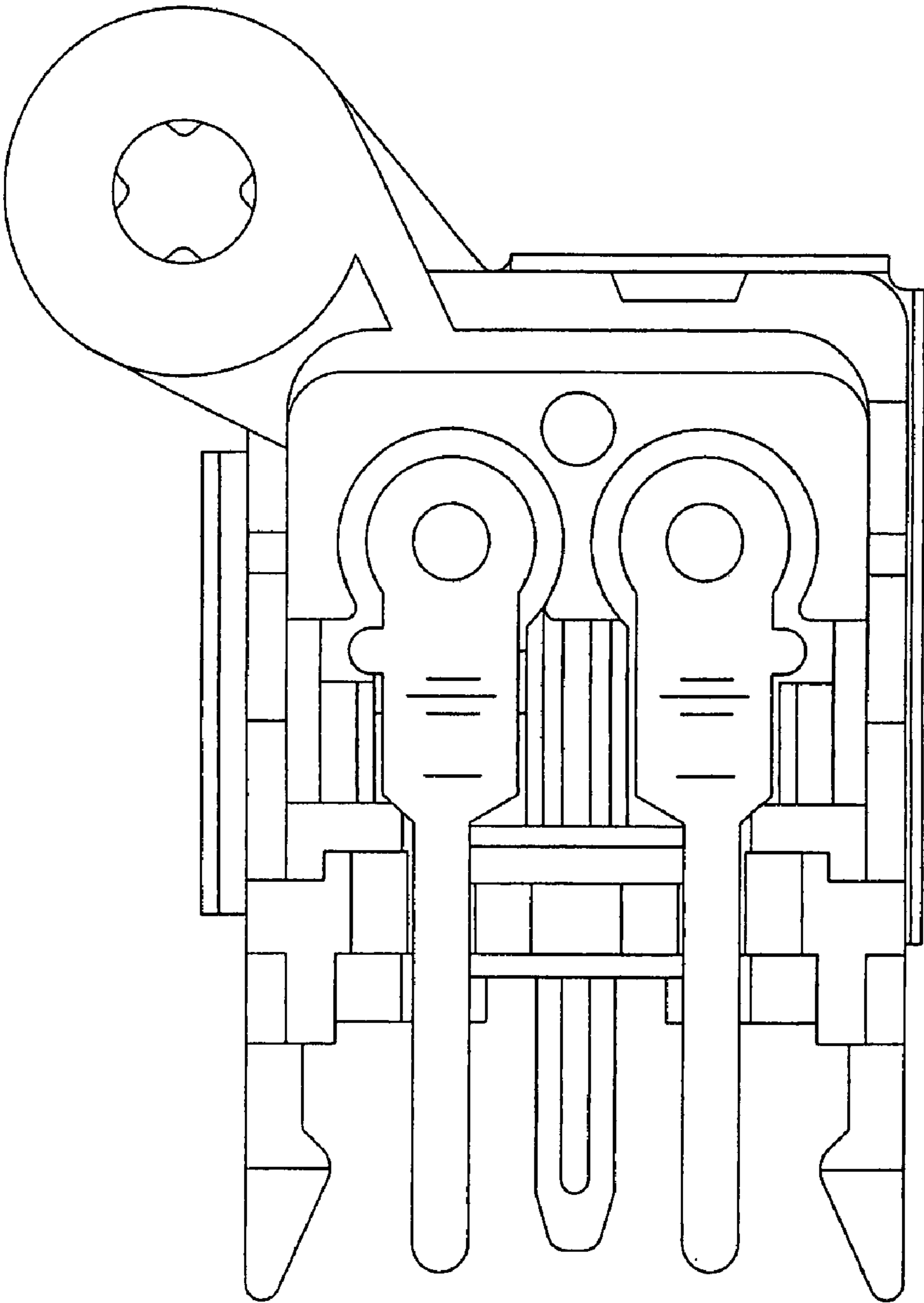


FIGURE 2

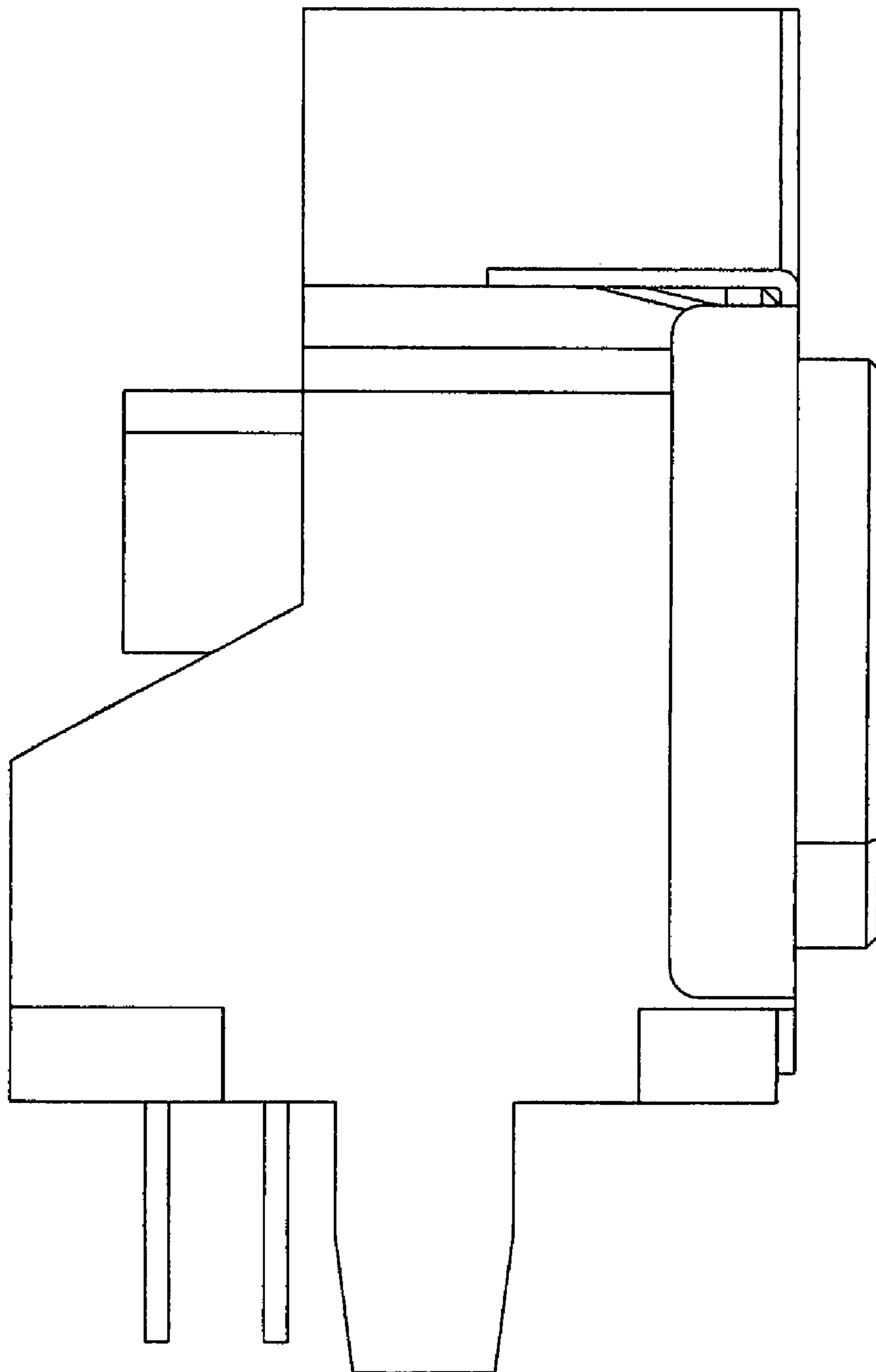


FIGURE 3

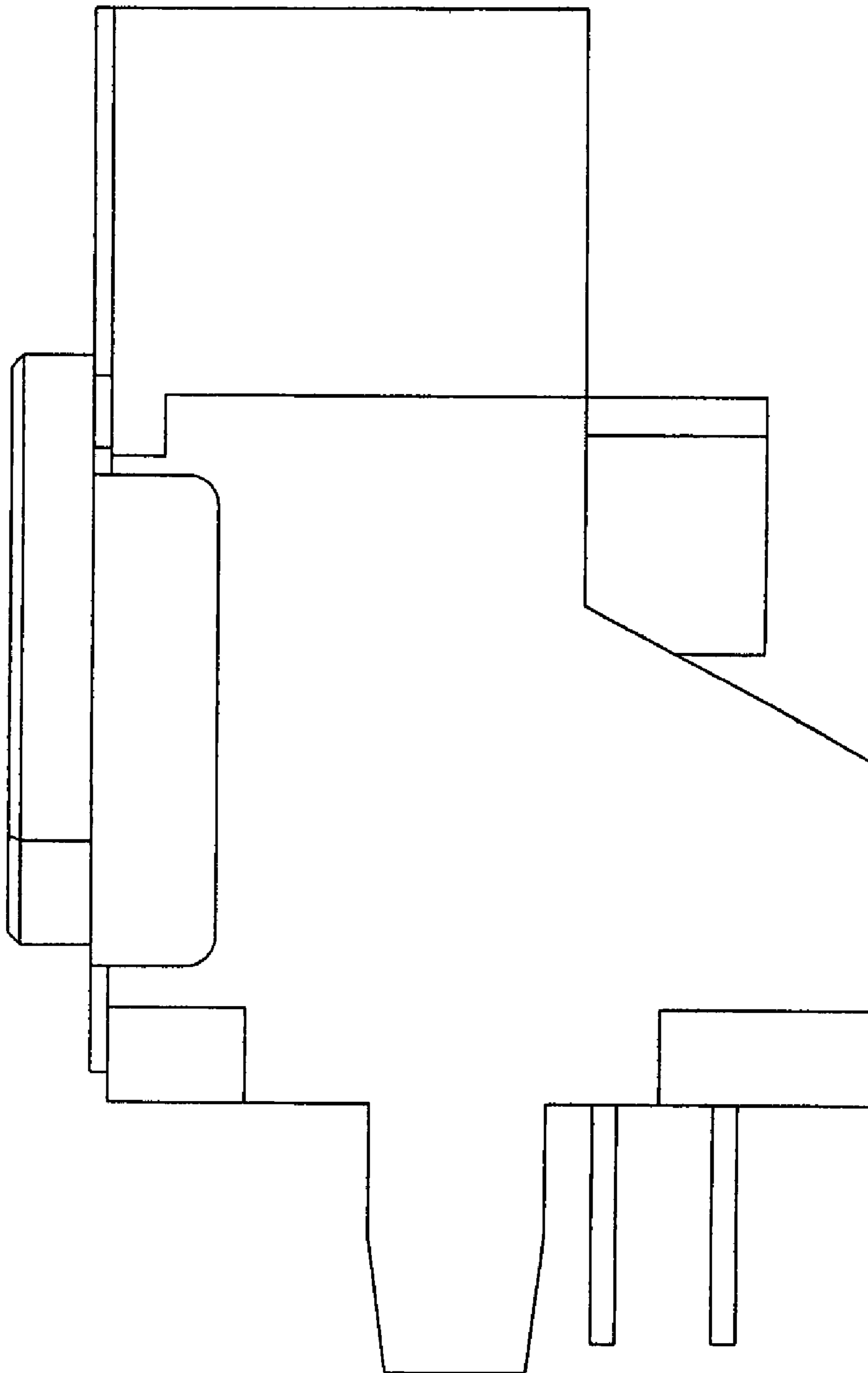


FIGURE 4

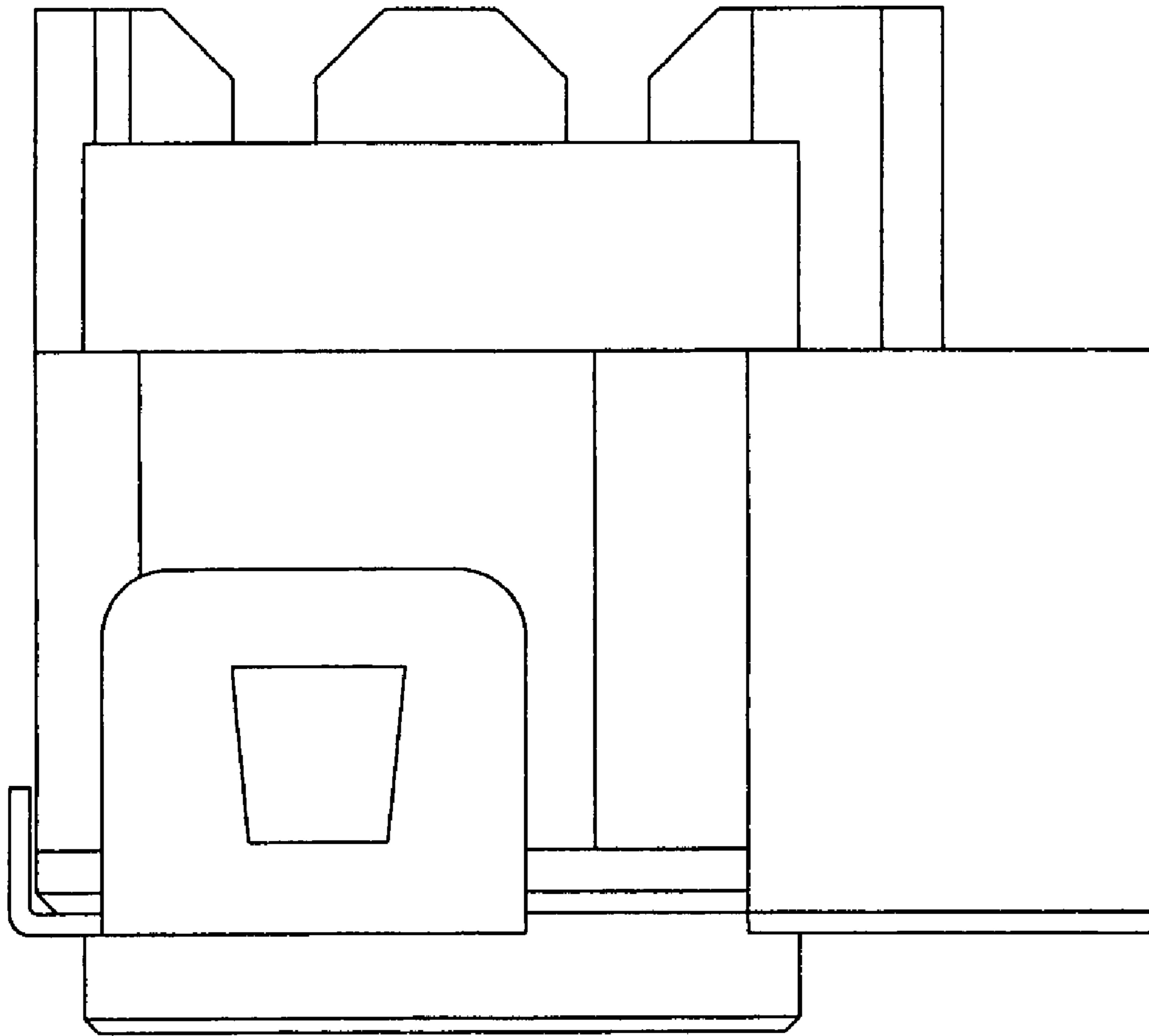


FIGURE 5

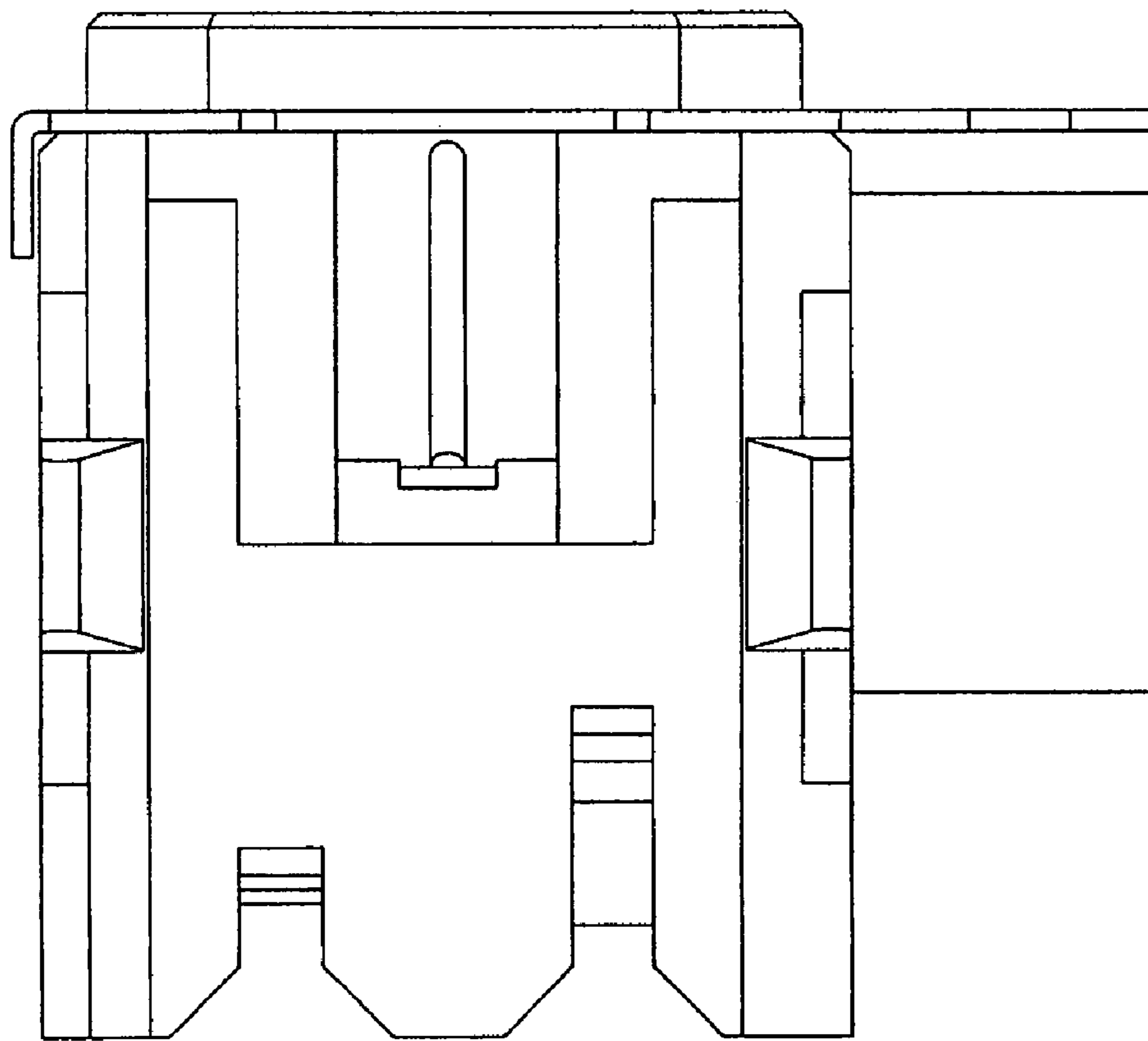


FIGURE 6

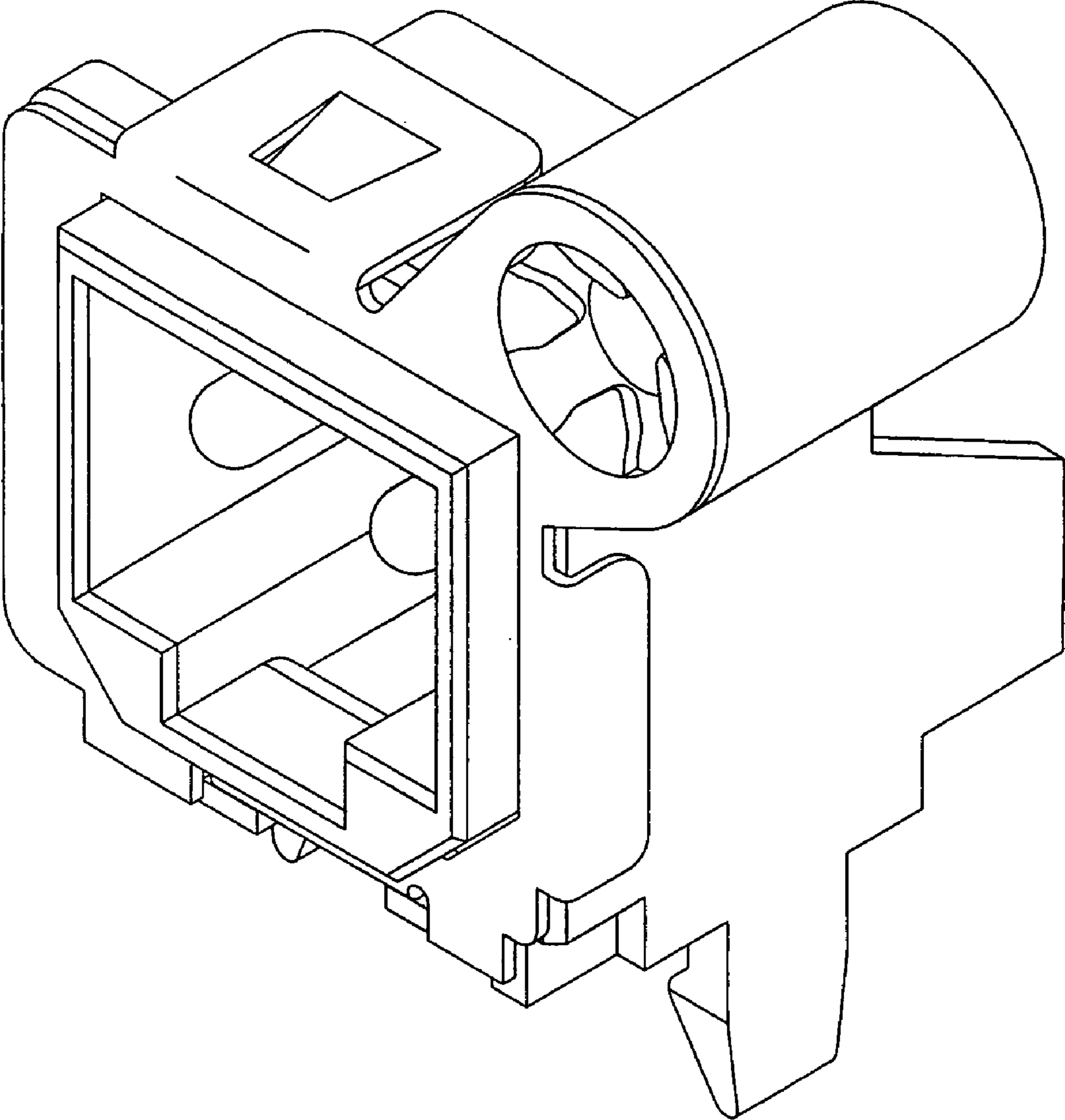


FIGURE 7