



US00D573092S

(12) **United States Design Patent**  
**Hamm et al.**

(10) **Patent No.:** **US D573,092 S**  
(45) **Date of Patent:** **\*\* Jul. 15, 2008**

(54) **PORTABLE GENERATOR**

(75) Inventors: **Keith H. Hamm**, Oshkosh, WI (US);  
**Chad O. Konop**, Oshkosh, WI (US)

(73) Assignee: **Magnum Products LLC**, Berlin, WI (US)

(\*\*) Term: **14 Years**

(21) Appl. No.: **29/276,350**

(22) Filed: **Jan. 23, 2007**

(51) **LOC (8) Cl.** ..... **13-01**

(52) **U.S. Cl.** ..... **D13/116**

(58) **Field of Classification Search** ..... D13/116,  
D13/112, 114, 122, 199; 290/1 A, 1 B; 307/150,  
307/153; 310/50

See application file for complete search history.

(56) **References Cited**

**U.S. PATENT DOCUMENTS**

D282,734 S *	2/1986	Shibuya	.....	D13/114
D293,904 S *	1/1988	Murakami et al.	.....	D13/116
D418,809 S *	1/2000	Frank	.....	D13/112
6,331,740 B1 *	12/2001	Morohoshi et al.	.....	290/1 A
D472,519 S *	4/2003	Buck	.....	D13/114
D478,042 S *	8/2003	Yaguchi et al.	.....	D13/114
D486,447 S *	2/2004	Fan	.....	D13/114
D491,524 S *	6/2004	Imai	.....	D13/122

\* cited by examiner

*Primary Examiner*—Prabhakar Deshmukh

*Assistant Examiner*—Derrick Holland

(74) *Attorney, Agent, or Firm*—Alan R. Stewart; Godfrey & Kahn, S.C.

(57) **CLAIM**

We claim the ornamental design for a portable generator, shown and described.

**DESCRIPTION**

FIG. 1 is a first perspective view of a portable generator according to the present disclosure, with portions of the generator shown in broken lines.

FIG. 2 is a second perspective view of the portable generator of FIG. 1.

FIG. 3 is a front view of the portable generator of FIG. 1.

FIG. 4 is a back view of the portable generator of FIG. 1.

FIG. 5 is a first side view of the portable generator of FIG. 1.

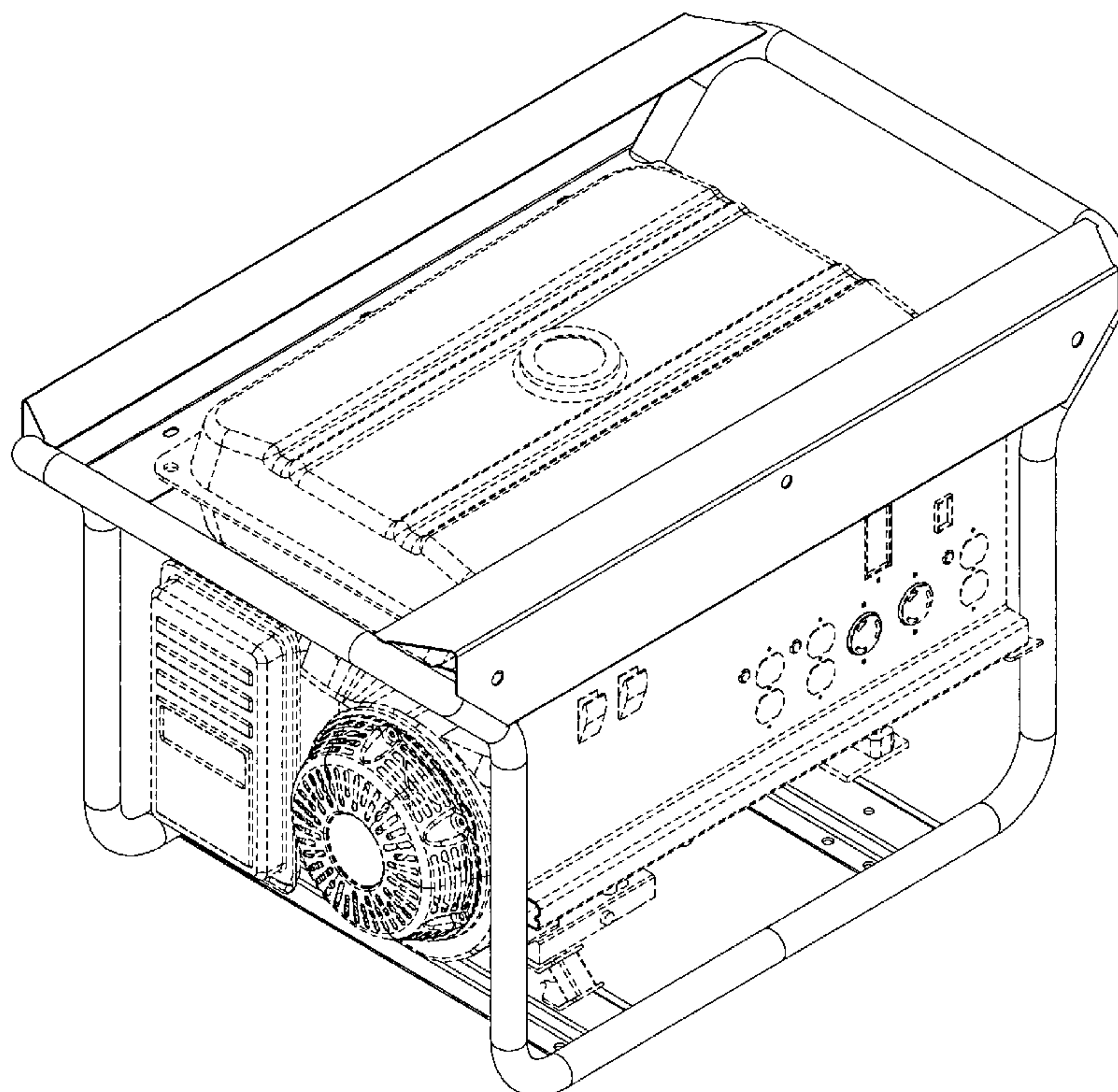
FIG. 6 is a second side view of the portable generator of FIG. 1.

FIG. 7 is a top view of the portable generator of FIG. 1; and, FIG. 8 is a bottom view of the portable generator of FIG. 1.

The portions of the portable generator shown in broken lines are for illustrative purposes and form no part of the claimed design.

The broken line(s) which define the bounds of the claimed design form no part thereof.

**1 Claim, 8 Drawing Sheets**



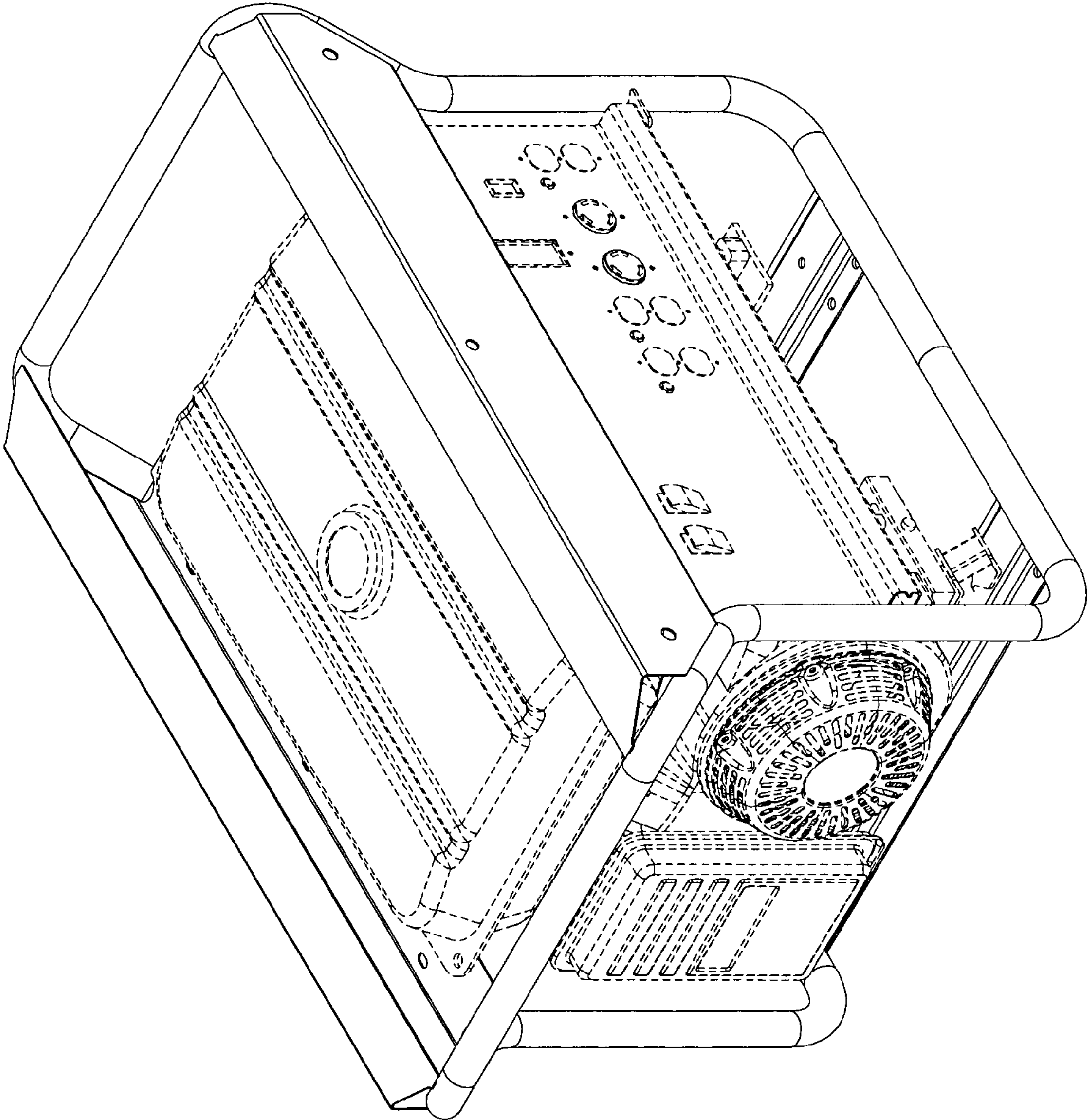


FIG. 1



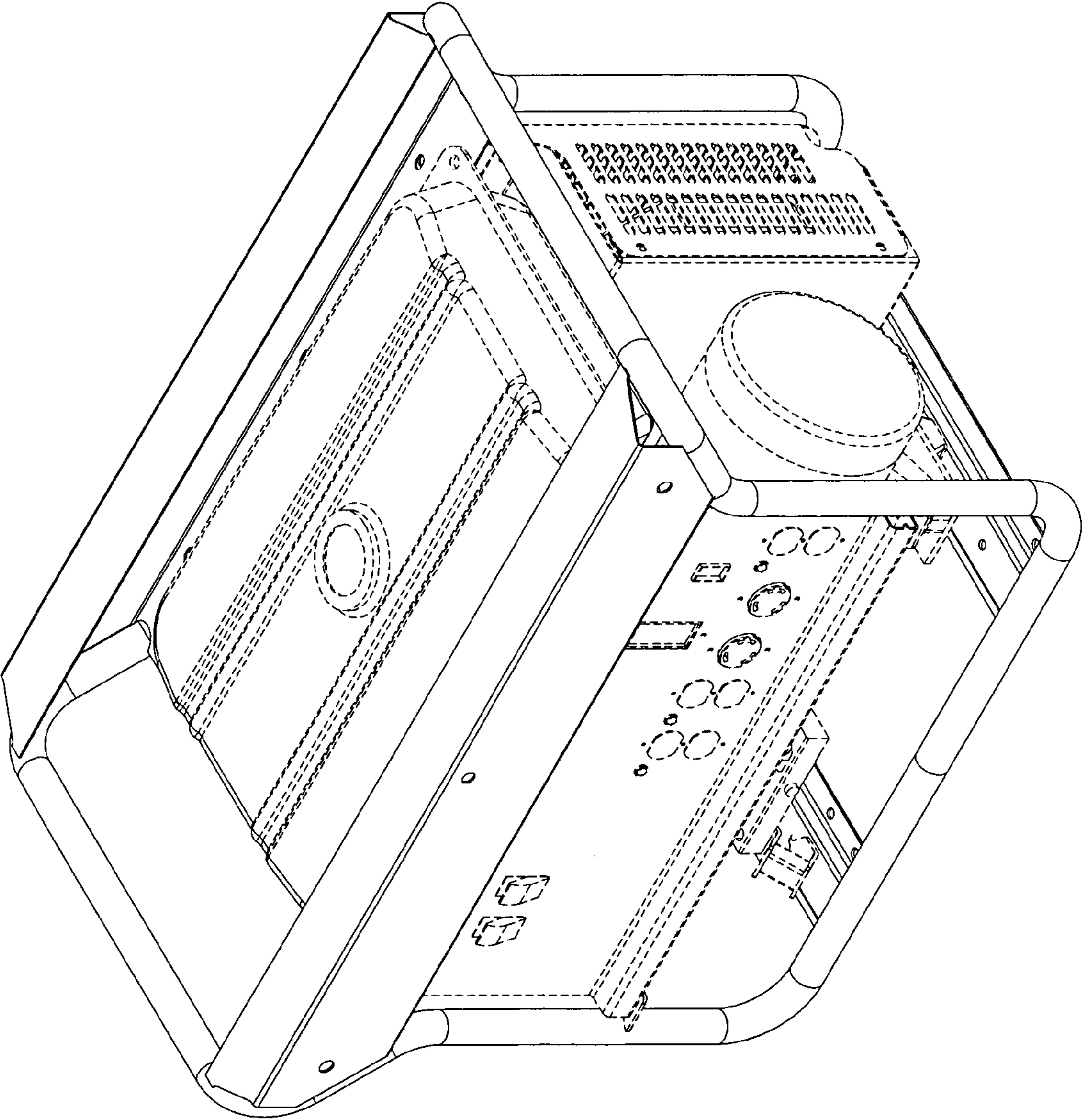


FIG. 2

FIG. 3

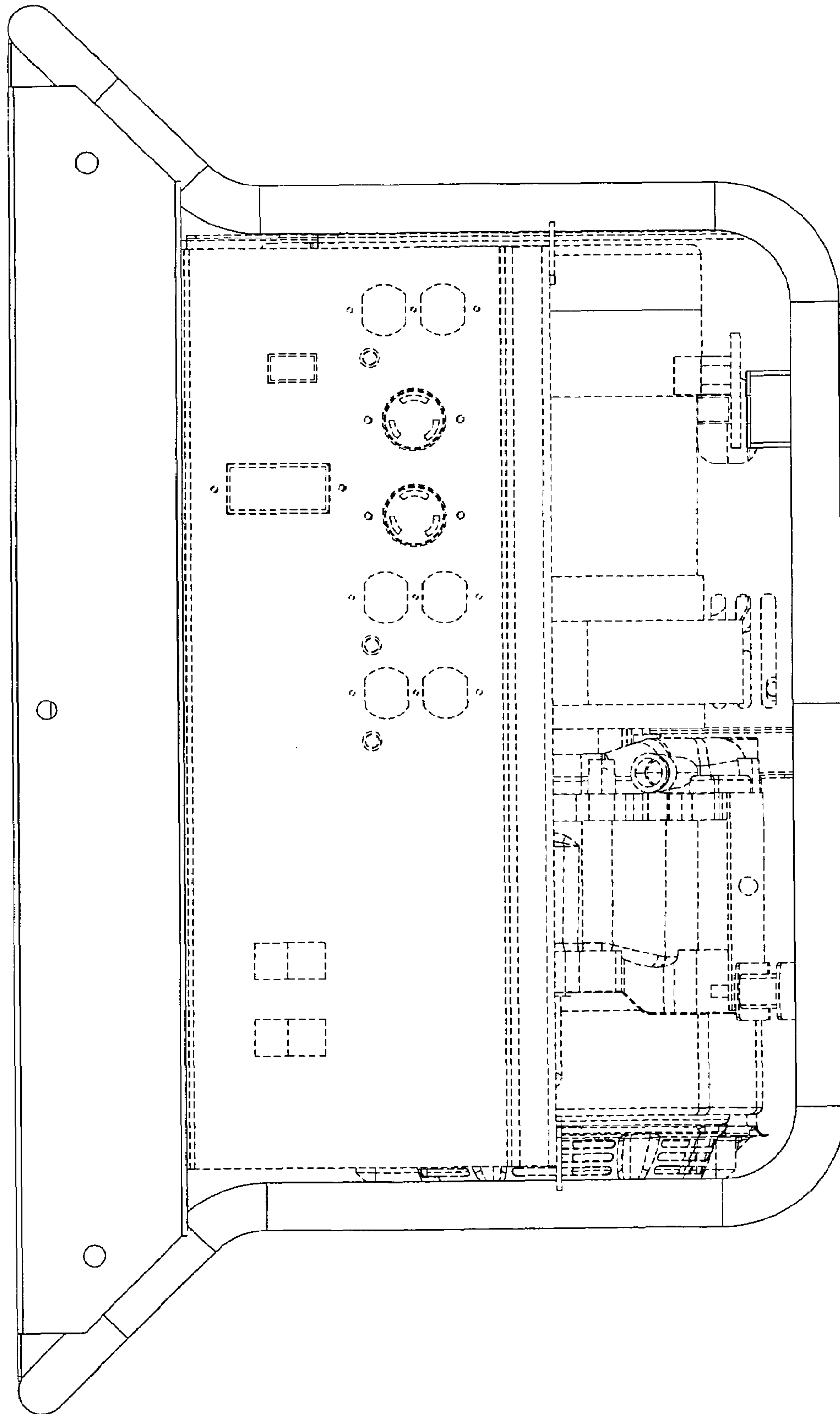
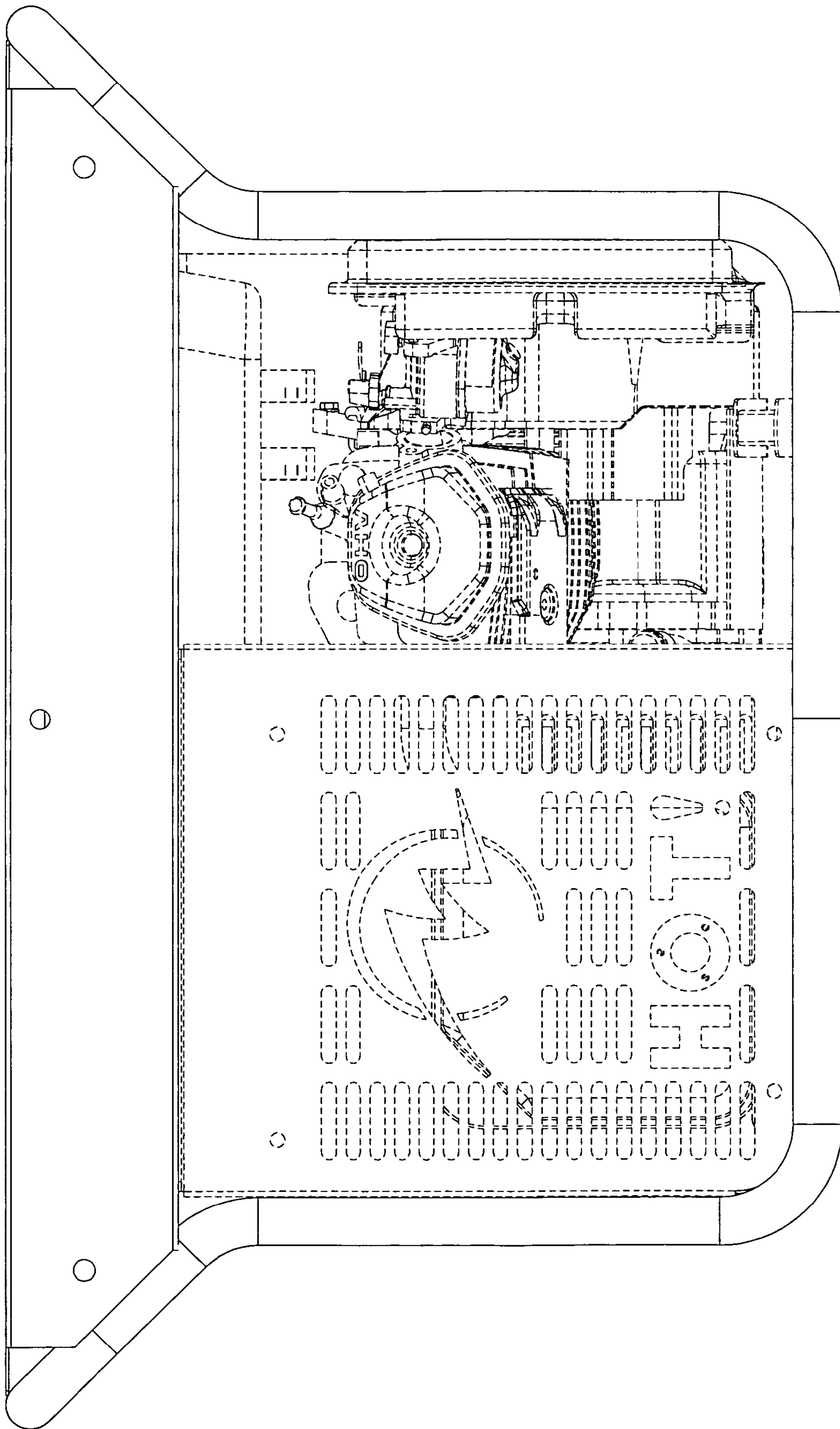


FIG. 4



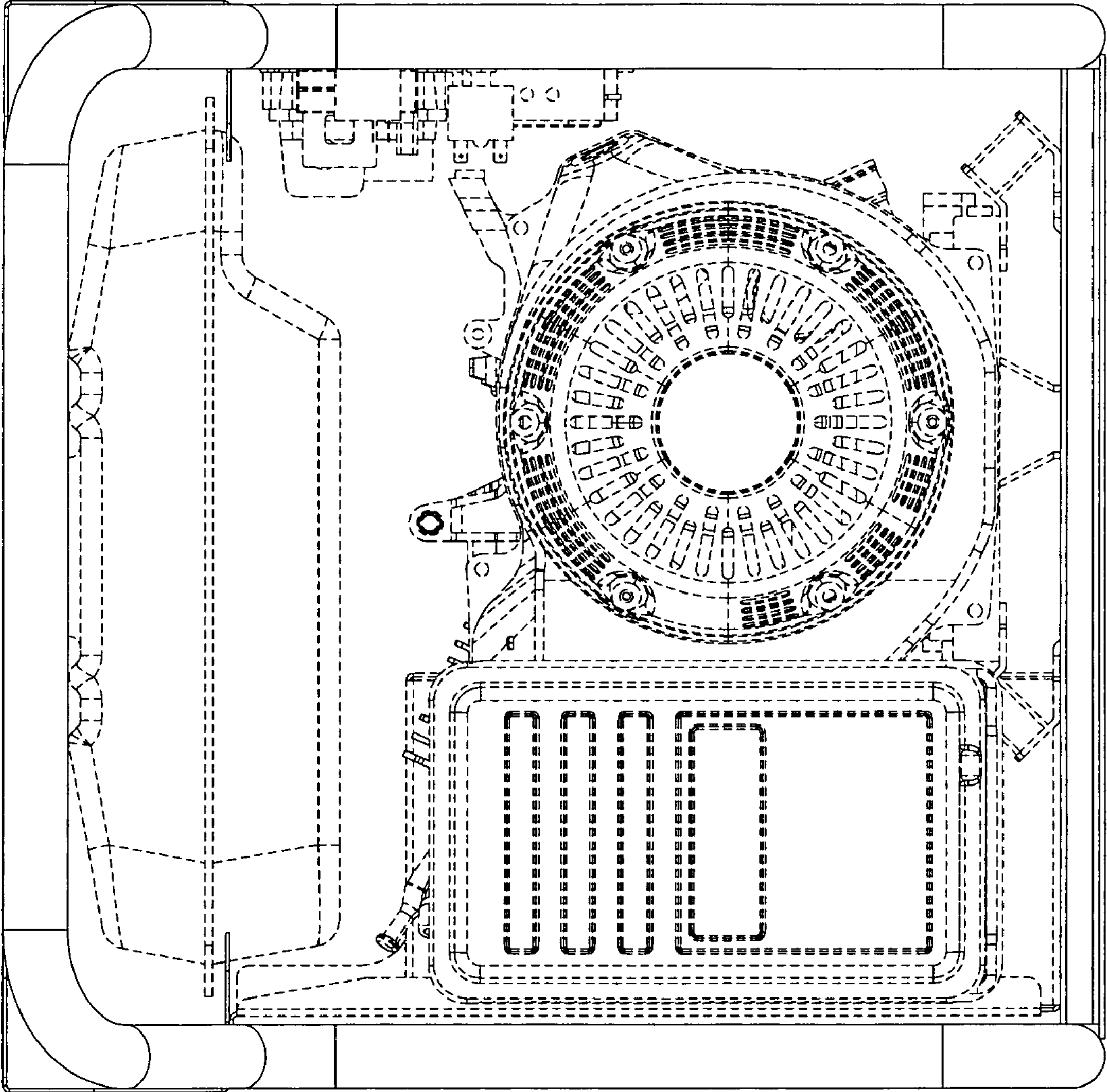


FIG. 5



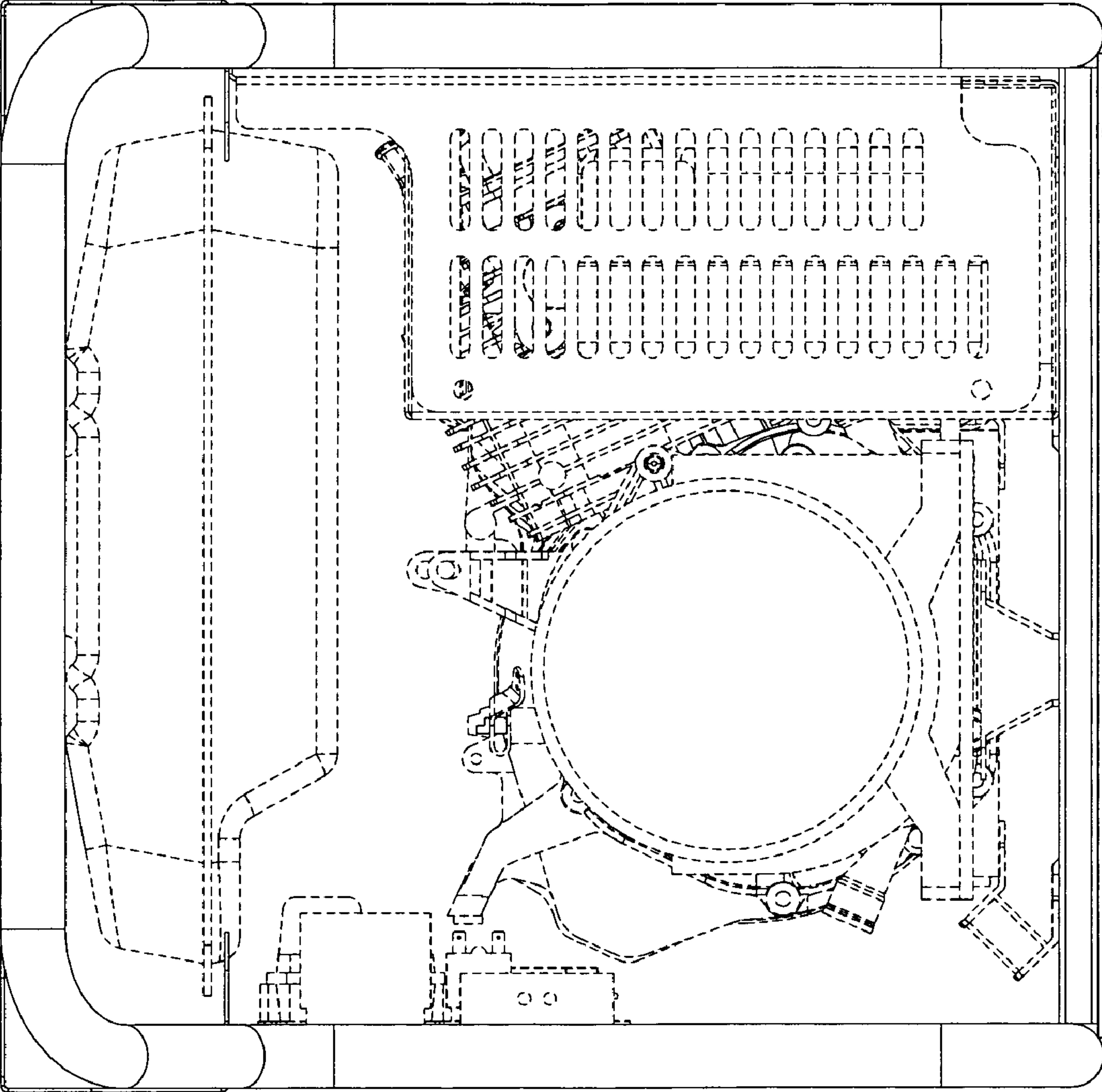


FIG. 6

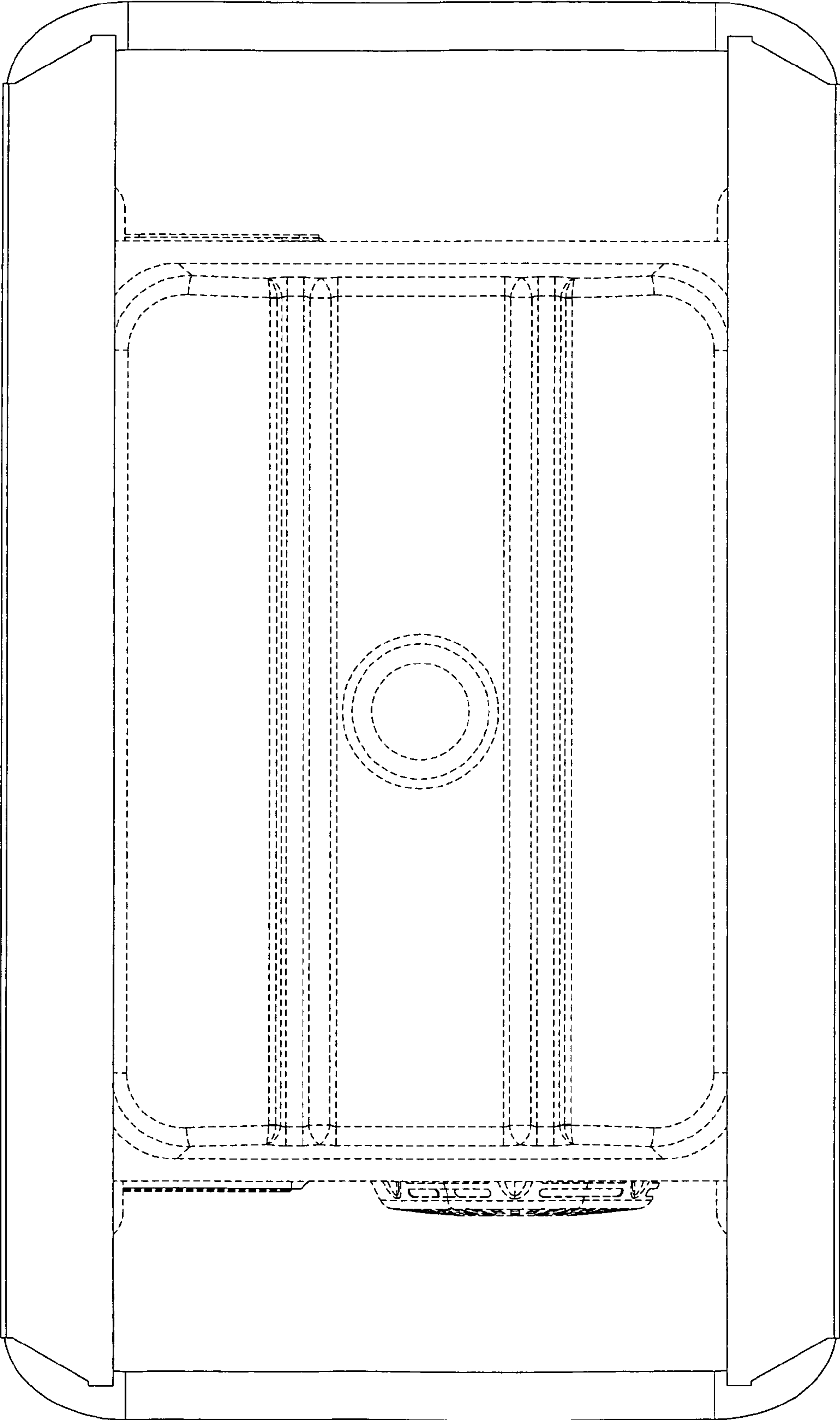


FIG. 7



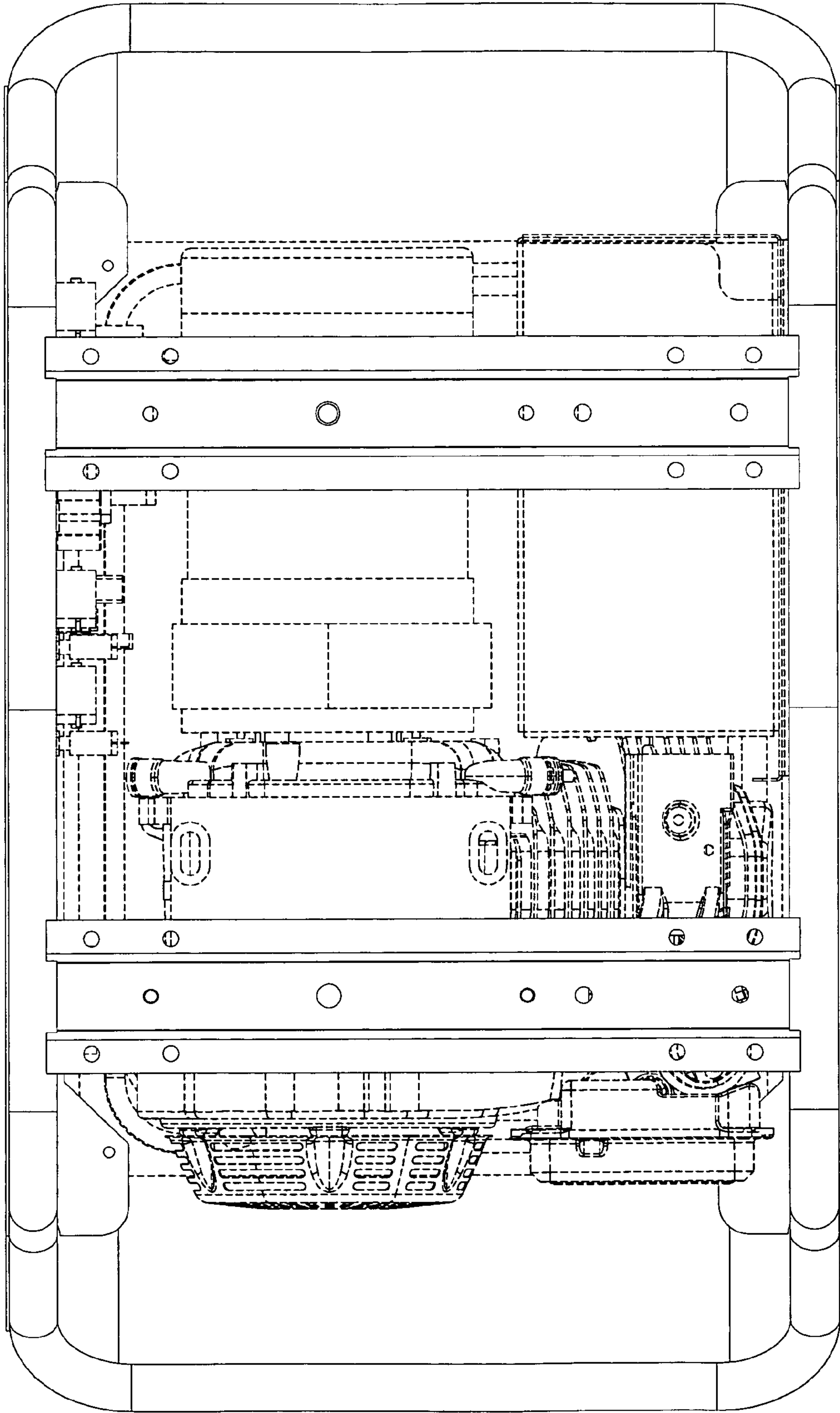


FIG. 8