



US00D573091S

(12) **United States Design Patent**  
**Shih et al.**

(10) **Patent No.:** **US D573,091 S**  
(45) **Date of Patent:** **\*\* Jul. 15, 2008**

(54) **SERVO MOTOR**

(75) Inventors: **Jie-Siang Shih**, Taichung (TW); **Yu-Tzu Ku**, Taichung (TW)

(73) Assignee: **Hiwin Mikrosystem Corp.**, Taichung (TW)

(\*\*) Term: **14 Years**

(21) Appl. No.: **29/303,103**

(22) Filed: **Jan. 31, 2008**

(51) **LOC (8) Cl.** ..... **13-01**

(52) **U.S. Cl.** ..... **D13/112**

(58) **Field of Classification Search** ..... D13/112,  
D13/101, 113, 122, 199; 251/129.01, 129.12;  
310/40 R, 42, 58, 89, 91

See application file for complete search history.

(56) **References Cited**

**U.S. PATENT DOCUMENTS**

D168,397 S *	12/1952	Dochterman	.....	D13/112
D237,387 S *	10/1975	Monroe	.....	D13/122
D269,671 S *	7/1983	Horsting	.....	D13/122
D287,715 S *	1/1987	Pittman et al.	.....	D13/112
D304,169 S *	10/1989	Hoshino et al.	.....	D13/112
4,933,582 A *	6/1990	Hata et al.	.....	310/154.14

D336,890 S *	6/1993	Hirose et al.	.....	D13/112
D397,992 S *	9/1998	Shimomura et al.	.....	D13/112
6,204,582 B1 *	3/2001	Keller et al.	.....	310/89
D457,493 S *	5/2002	Borges	.....	D13/112
D525,195 S *	7/2006	Palese	.....	D13/112

\* cited by examiner

*Primary Examiner*—Prabhakar Deshmukh

*Assistant Examiner*—Derrick Holland

(74) *Attorney, Agent, or Firm*—Banger Shia

(57) **CLAIM**

The ornamental design for a servo motor, as shown and described.

**DESCRIPTION**

FIG. 1 is a perspective view of a servo motor showing my new design;

FIG. 2 is a front elevational view thereof;

FIG. 3 is a rear elevational view thereof;

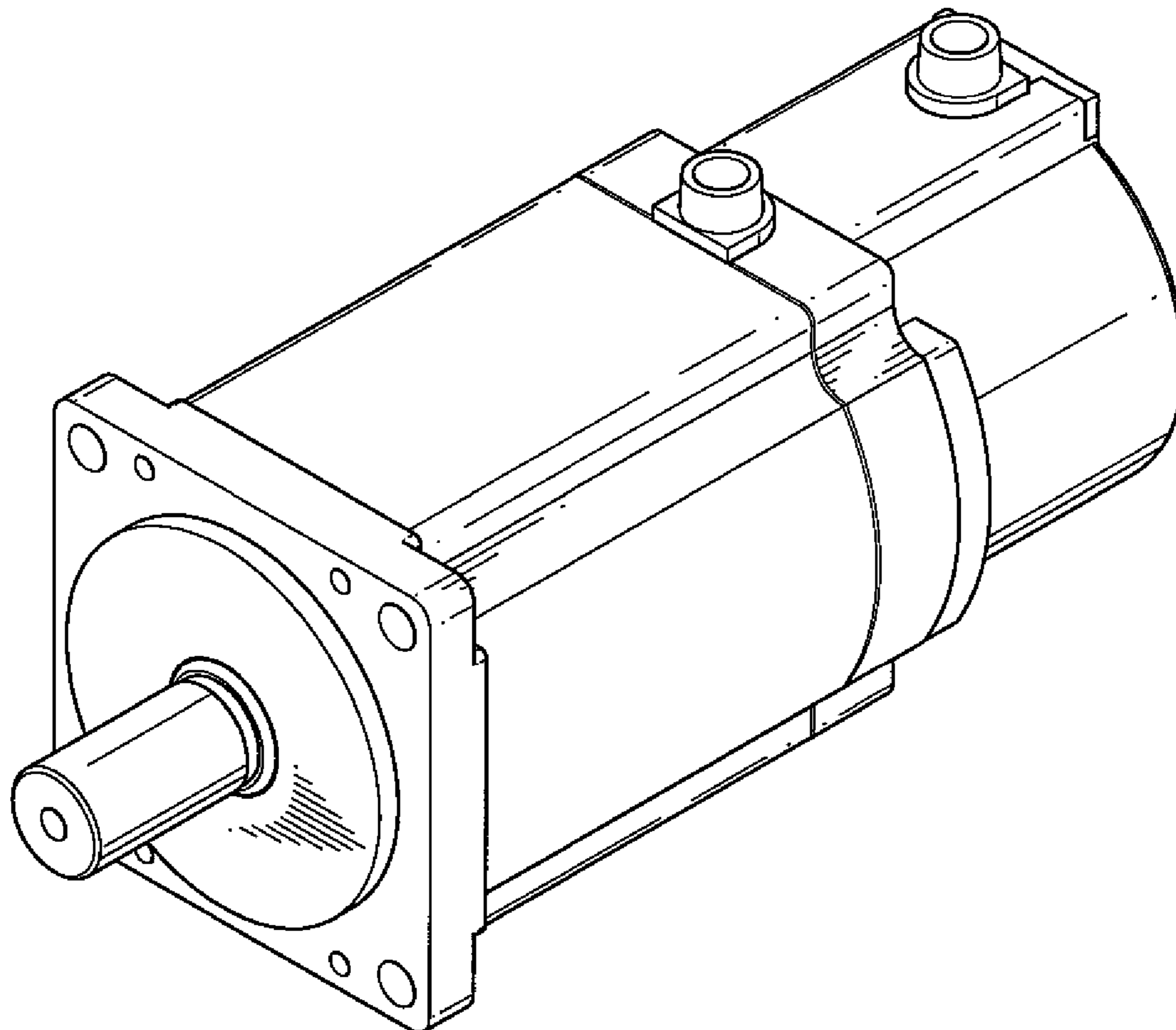
FIG. 4 is a left side elevational view thereof;

FIG. 5 is a right side elevational view thereof;

FIG. 6 is a top plan view thereof; and,

FIG. 7 is a bottom plan view thereof.

**1 Claim, 6 Drawing Sheets**



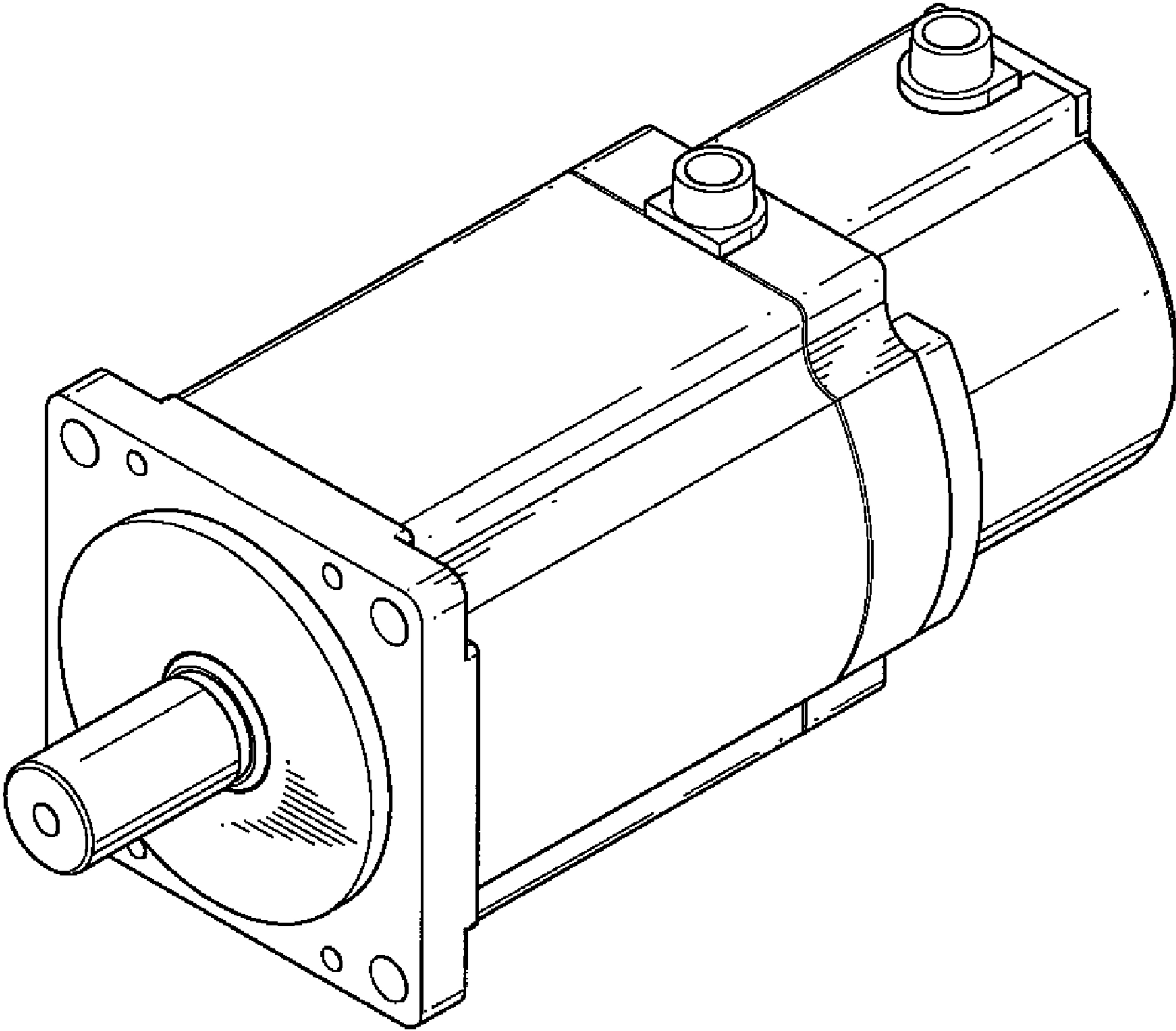


FIG. 1

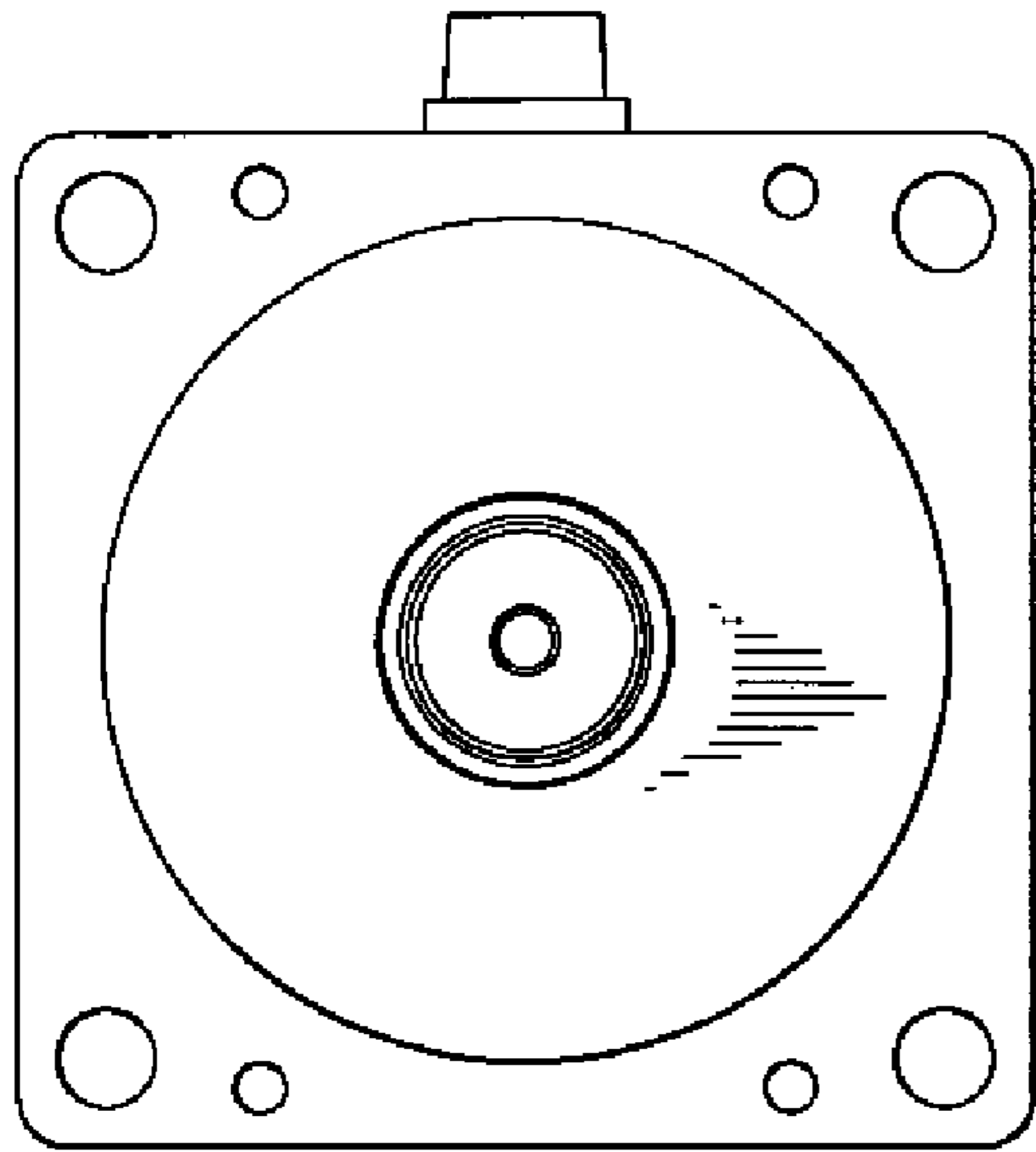


FIG. 2

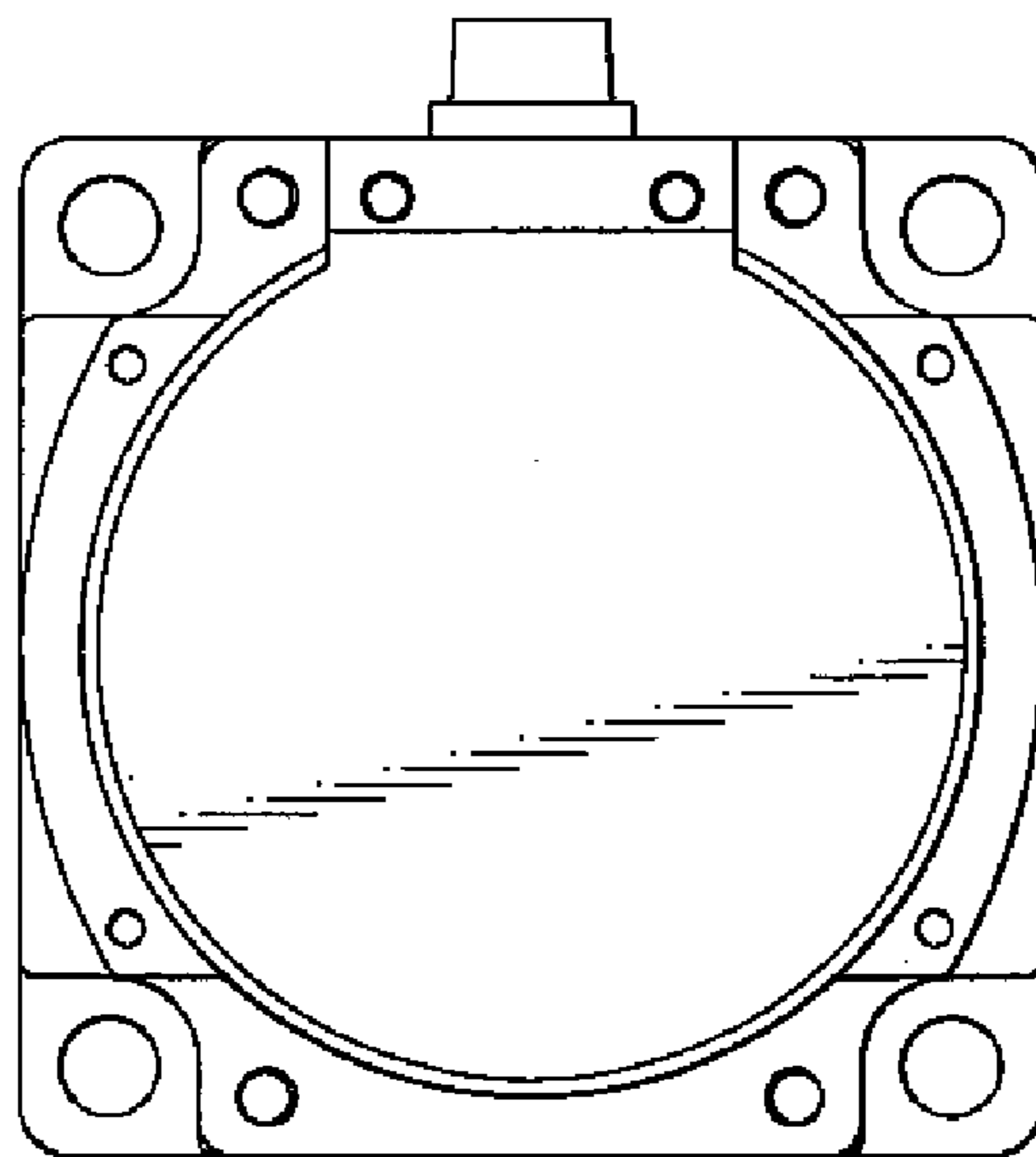


FIG. 3

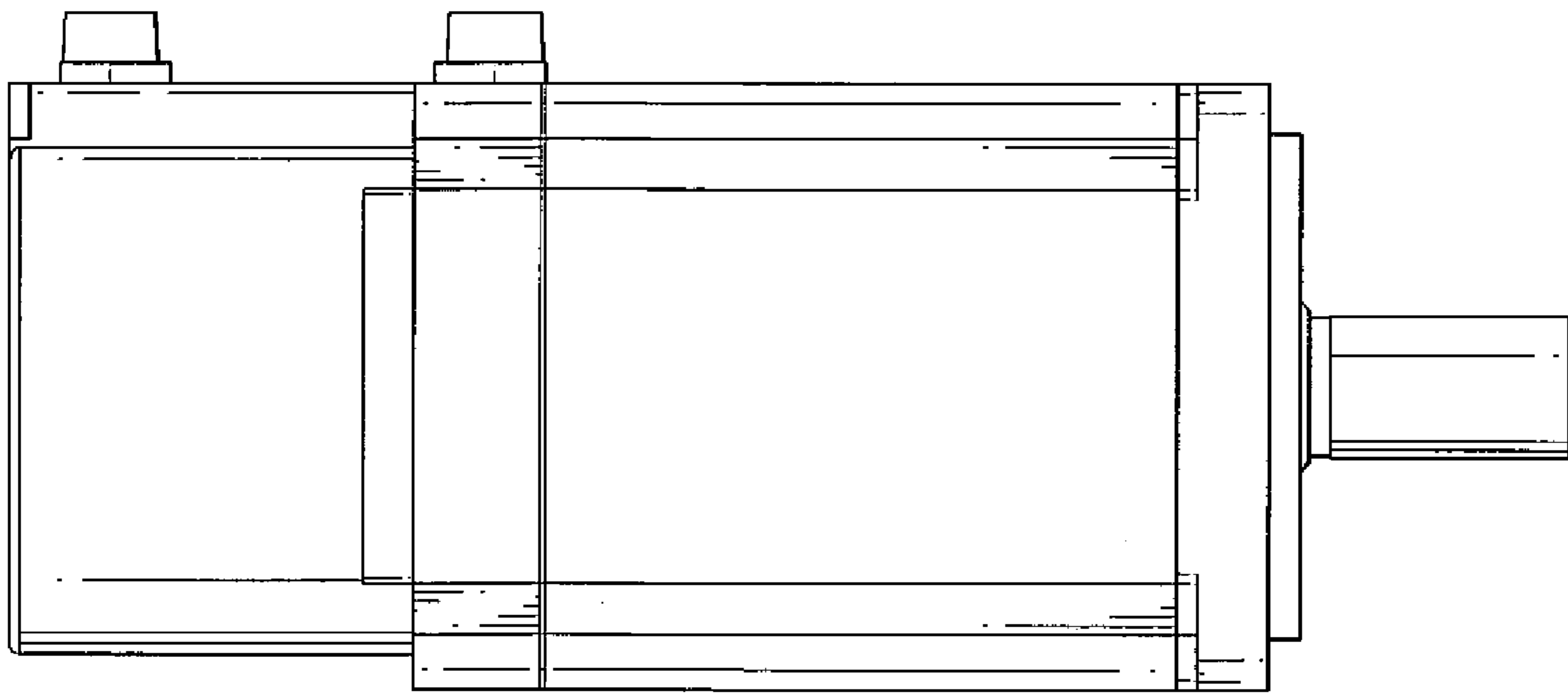


FIG. 4

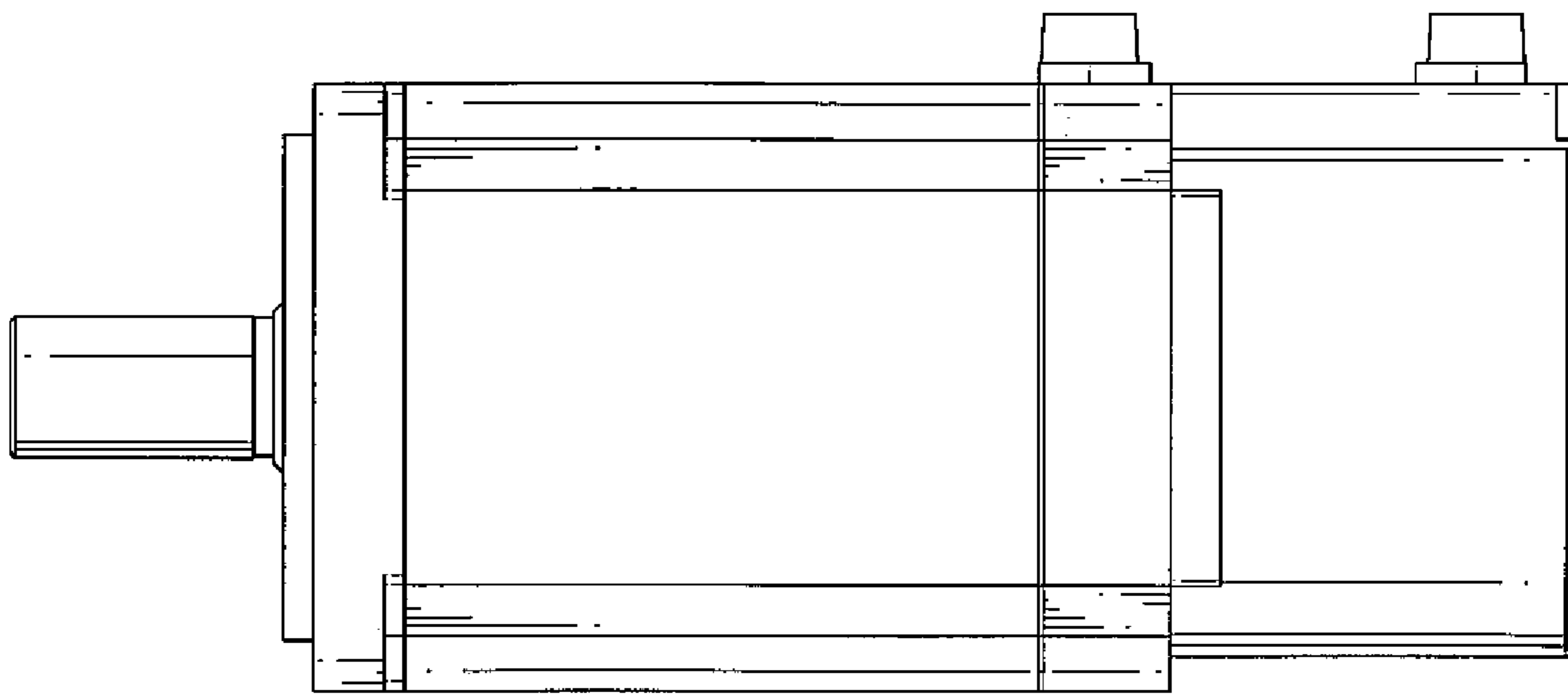


FIG. 5

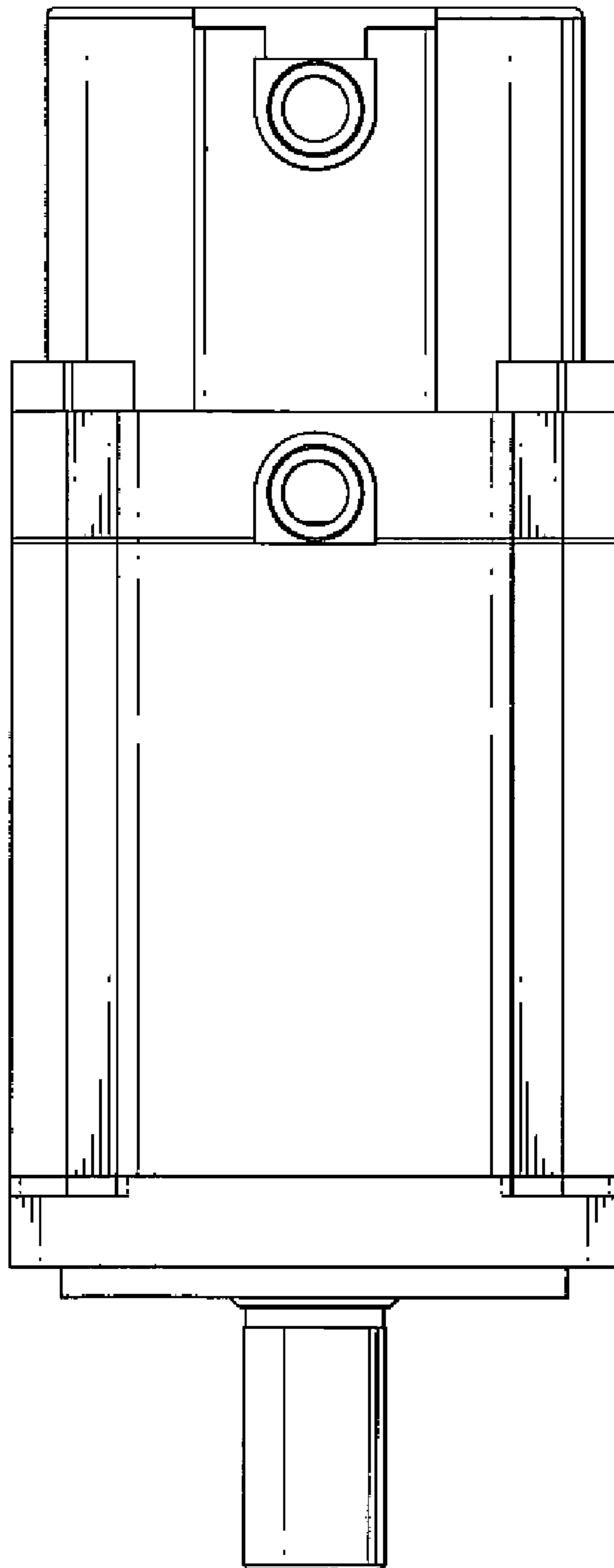


FIG. 6

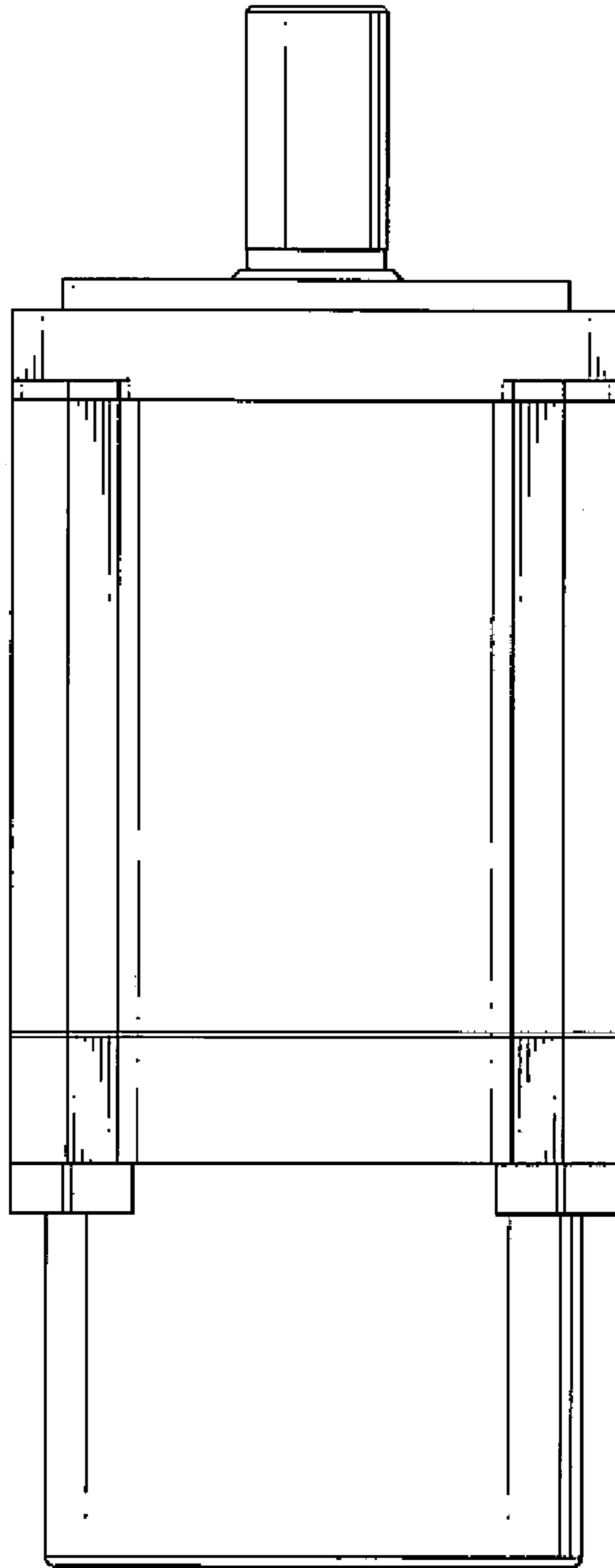


FIG. 7