



US00D573081S

(12) **United States Design Patent**
Kim et al.

(10) **Patent No.:** **US D573,081 S**
(45) **Date of Patent:** **** Jul. 15, 2008**

(54) **FRONT FACE OF A VEHICLE WHEEL**

(75) Inventors: **Chung-Won Kim**, Sindelfingen (DE);
Peter Pfeiffer, Boeblingen (DE)

(73) Assignee: **Daimler AG**, Stuttgart (DE)

(**) Term: **14 Years**

(21) Appl. No.: **29/290,219**

(22) Filed: **Nov. 6, 2007**

(30) **Foreign Application Priority Data**

May 7, 2007 (EM) 000718382-0002

(51) **LOC (8) Cl.** **12-16**

(52) **U.S. Cl.** **D12/211**

(58) **Field of Classification Search** D12/204-213;
301/37.101, 64.101, 65, 64.201
See application file for complete search history.

(56) **References Cited**

U.S. PATENT DOCUMENTS

D472,866 S * 4/2003 Pfeiffer et al. D12/211
D494,524 S * 8/2004 Rice D12/211
D503,371 S * 3/2005 Boyer D12/211
D515,491 S * 2/2006 Elmitt D12/209

D527,334 S * 8/2006 Hettler D12/211
D530,257 S * 10/2006 Pfeiffer D12/211
D530,258 S * 10/2006 Schell D12/211
D535,238 S * 1/2007 Kim D12/209
D562,207 S * 2/2008 Pfeiffer D12/211
D562,208 S * 2/2008 Pfeiffer D12/213
D563,304 S * 3/2008 Pfeiffer et al. D12/211

* cited by examiner

Primary Examiner—Stacia Cadmus

(74) *Attorney, Agent, or Firm*—Crowell & Moring LLP

(57) **CLAIM**

The ornamental design for a front face of a vehicle wheel, as shown and described.

DESCRIPTION

FIG. 1 is a front view of a first embodiment of a front face of vehicle wheel according to our novel design; and

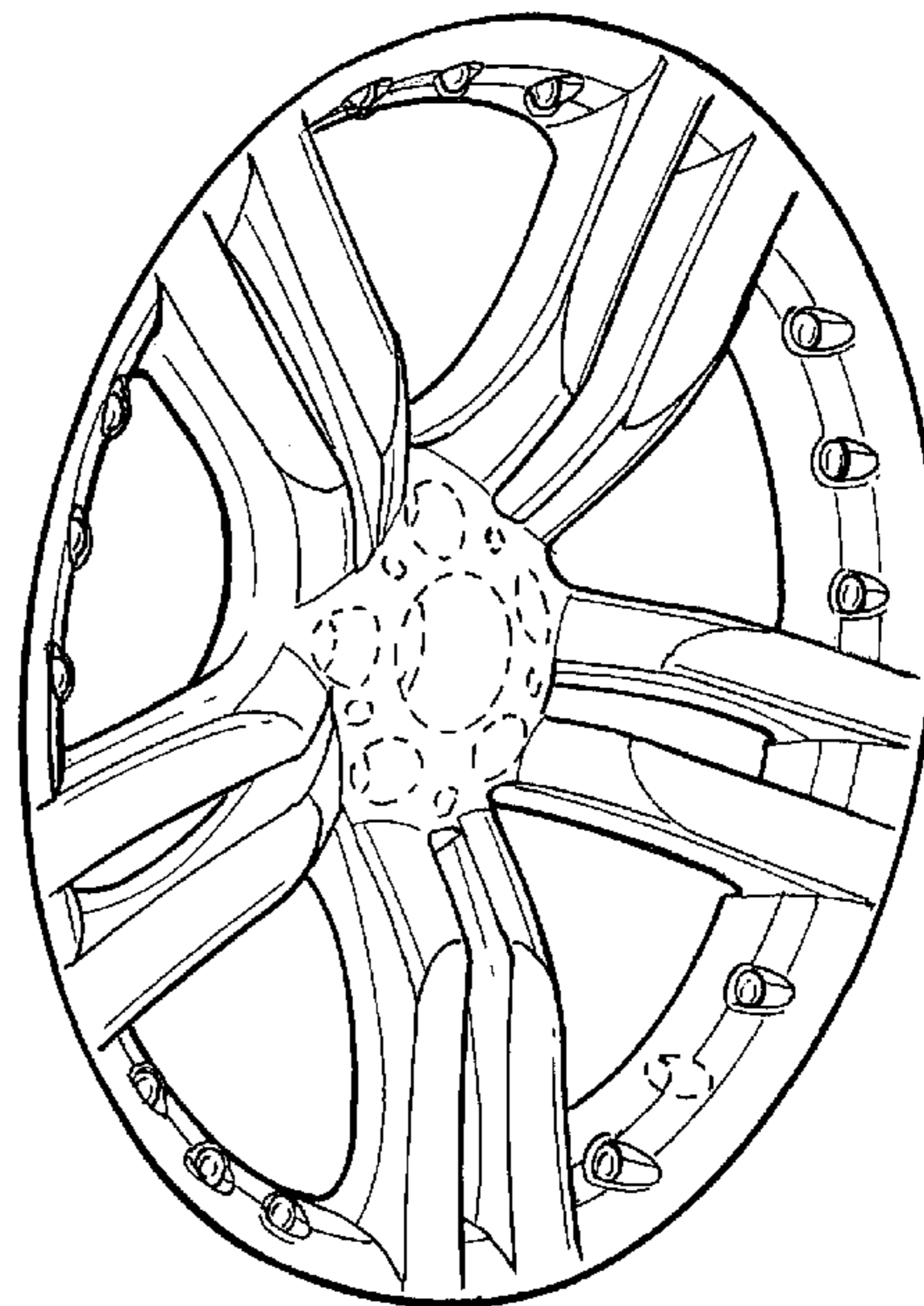
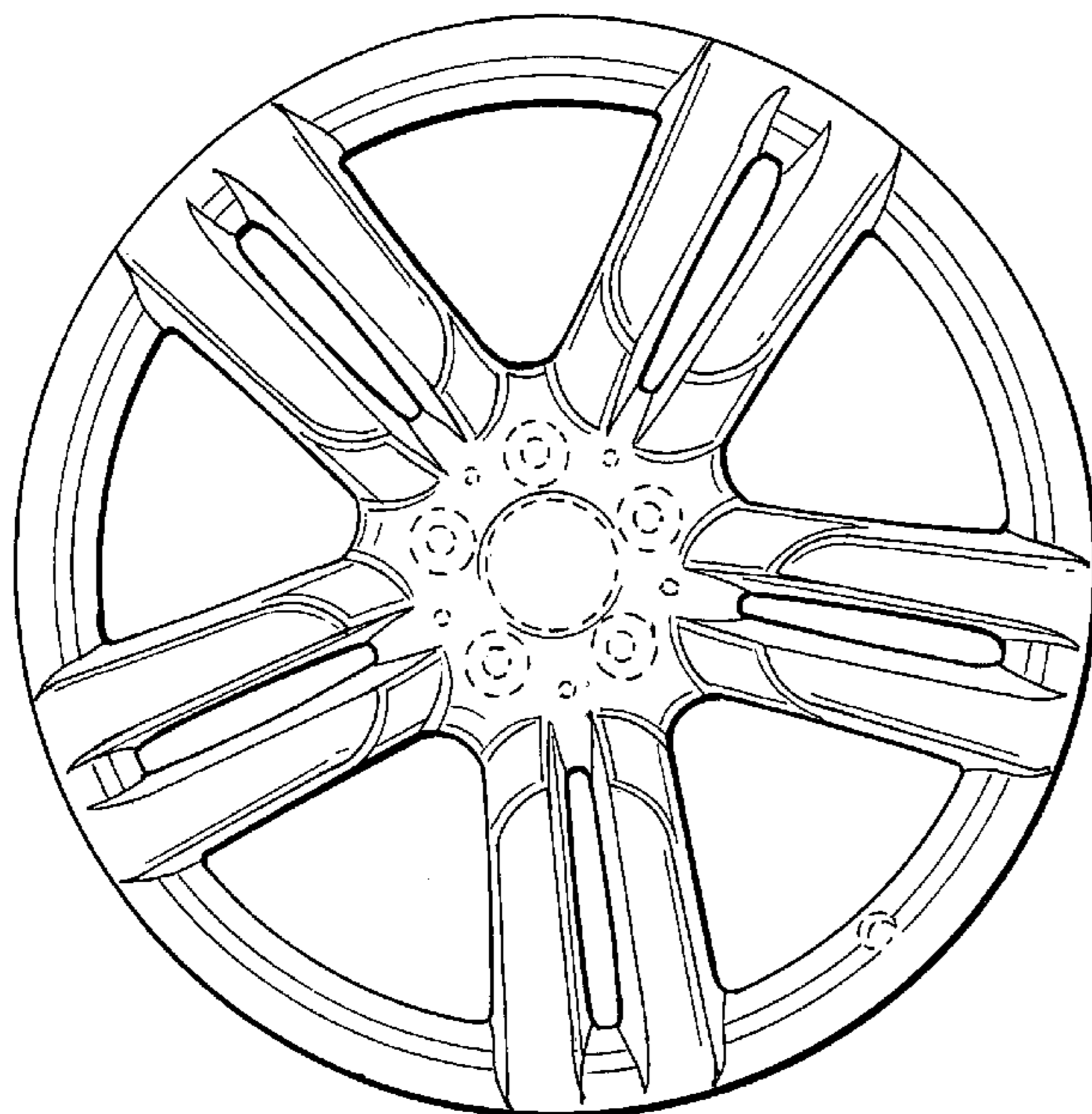
FIG. 2 is a perspective view thereof.

FIG. 3 is a front view of a second embodiment of the front face of a vehicle wheel according to our novel design; and,

FIG. 4 is a perspective view thereof.

The broken lines are for illustrative purposes only and form no part of the claimed design.

1 Claim, 2 Drawing Sheets



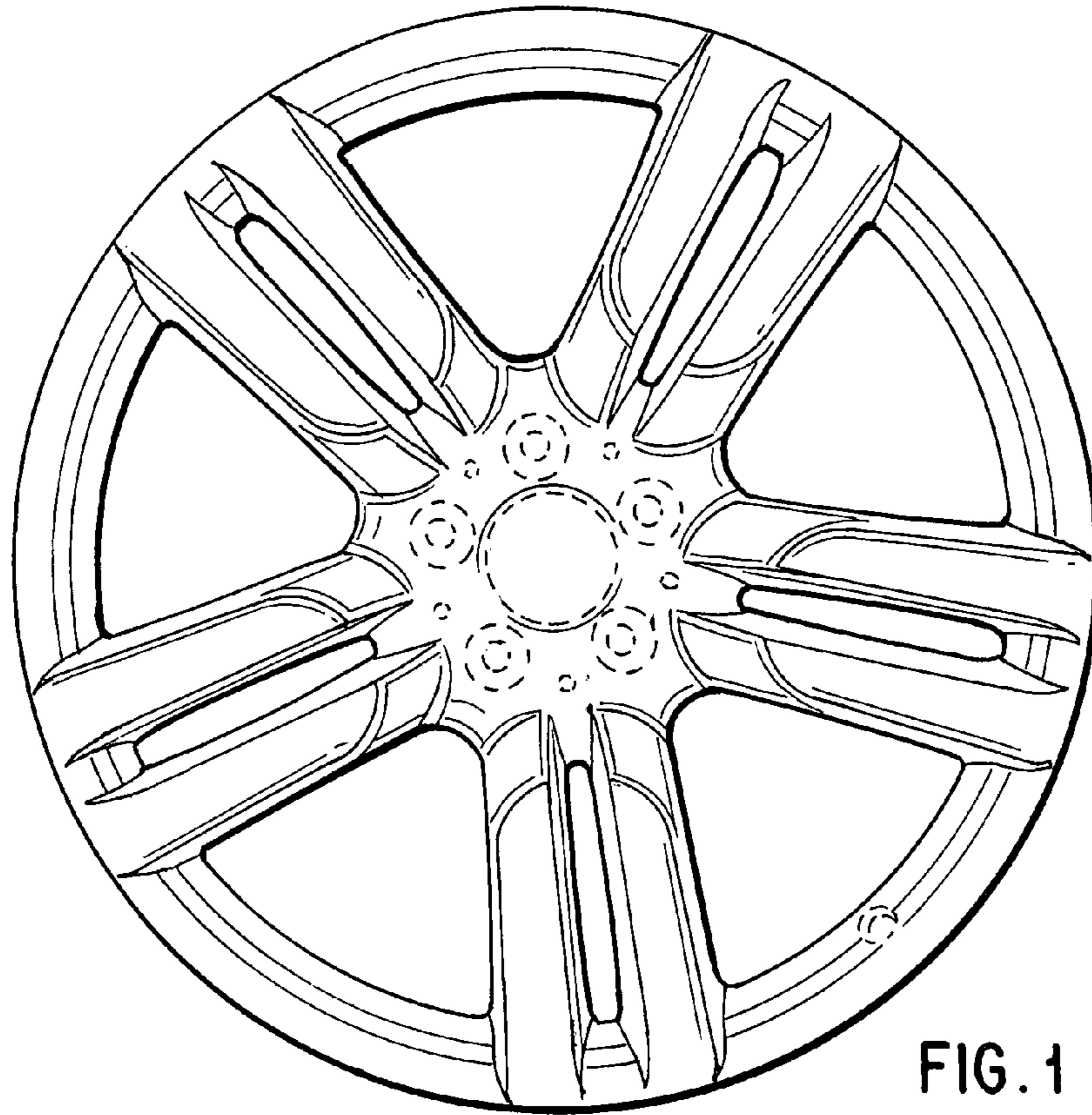


FIG. 1

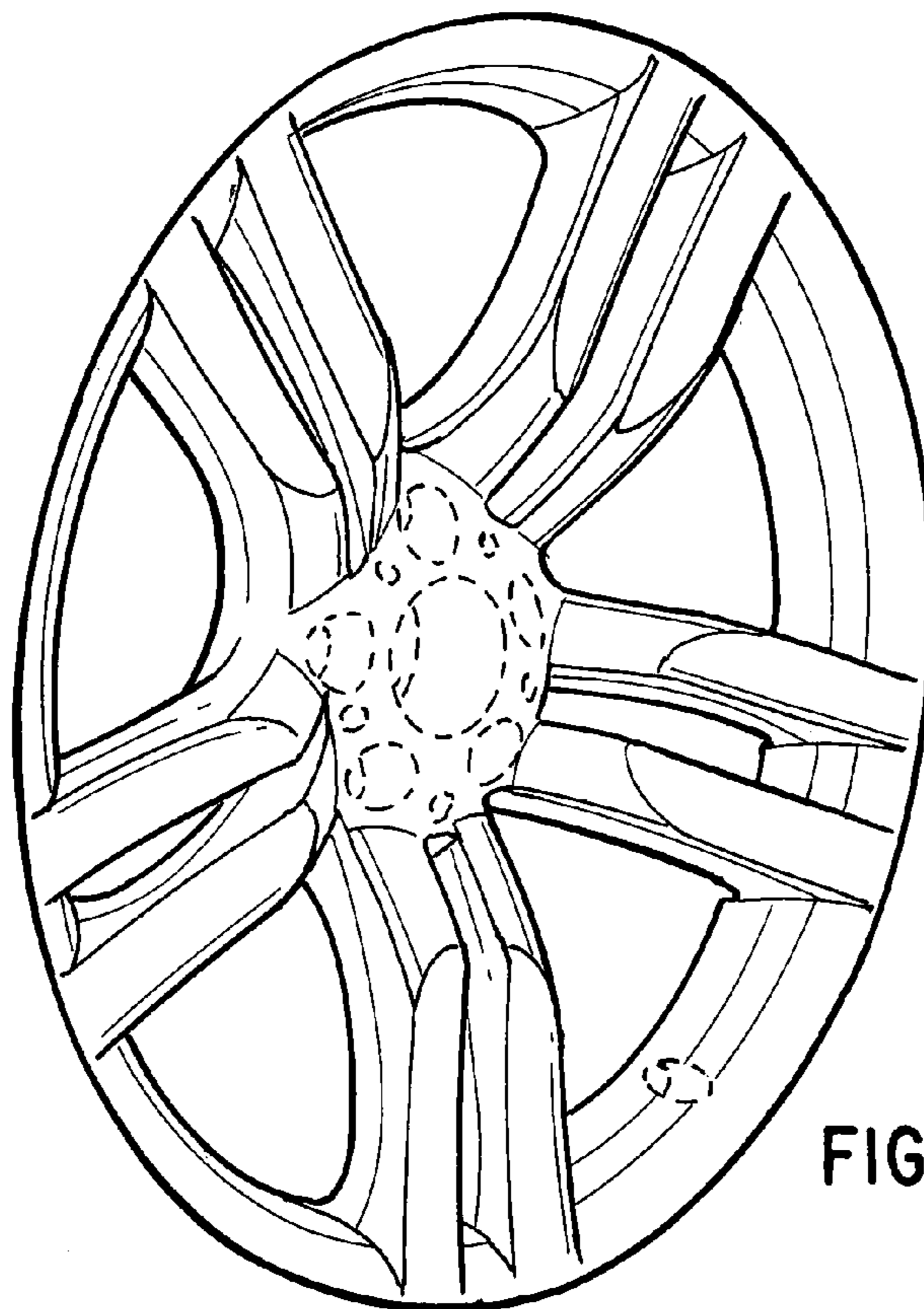


FIG. 2

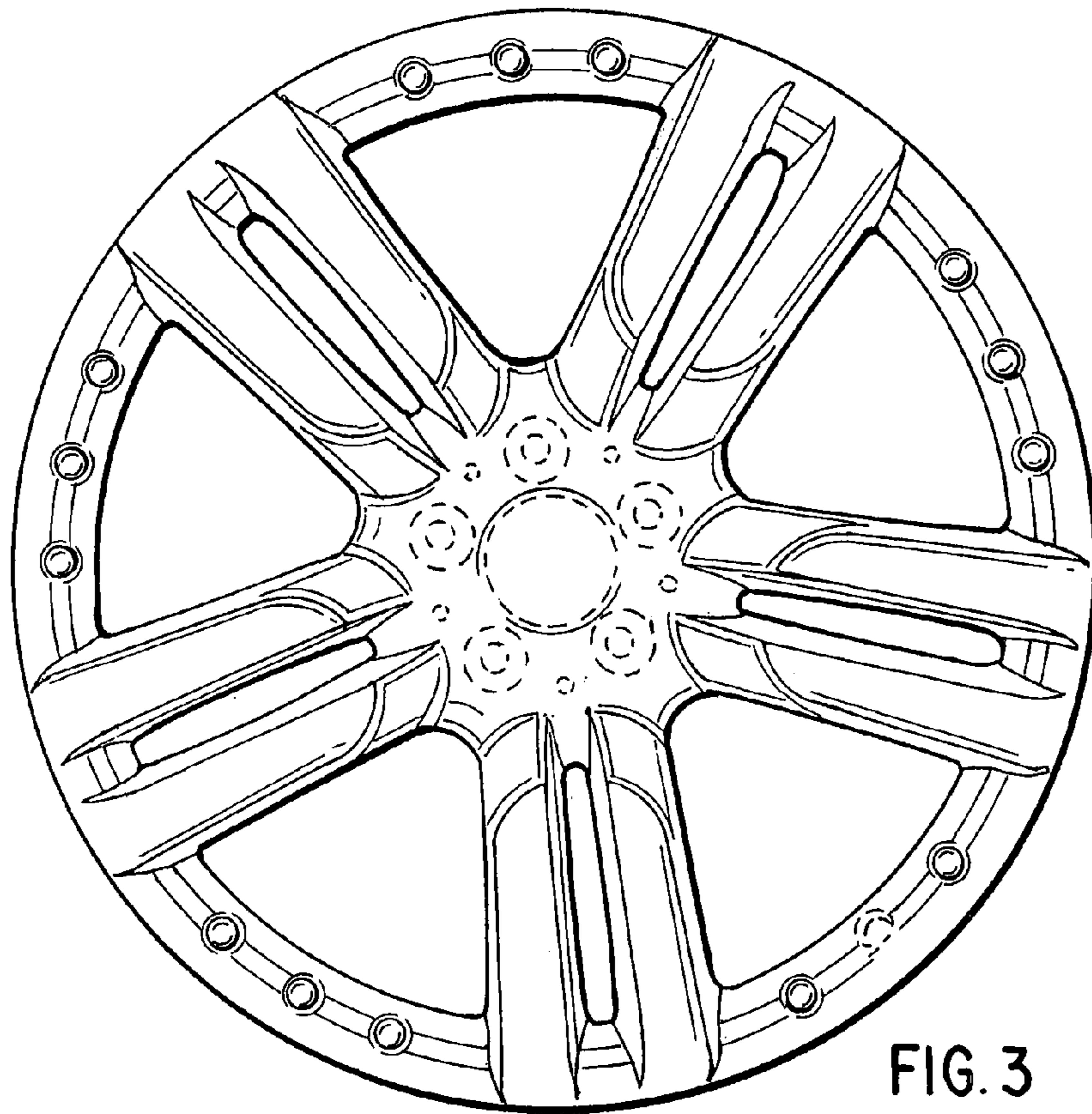


FIG. 3

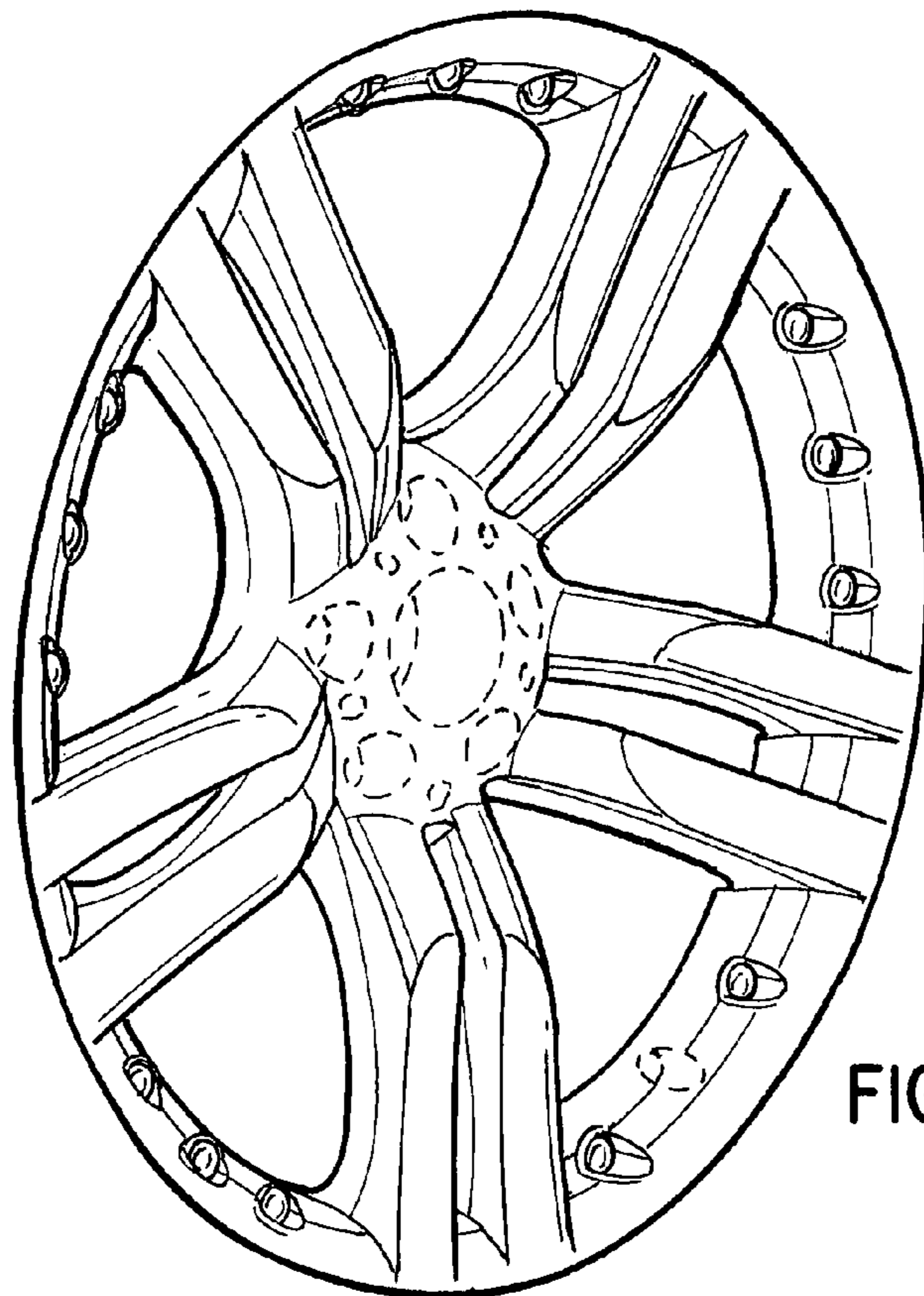


FIG. 4