



US00D573079S

(12) **United States Design Patent**
Huet

(10) **Patent No.:** **US D573,079 S**
(45) **Date of Patent:** **** Jul. 15, 2008**

(54) **FRONT FACE OF A VEHICLE WHEEL**

(75) **Inventor:** **Jean-François Alexandre Huet**, Villers
Allerand (FR)

(73) **Assignee:** **Bayerische Motoren Werke**
Aktiengesellschaft, Munich (DE)

(**) **Term:** **14 Years**

(21) **Appl. No.:** **29/283,805**

(22) **Filed:** **Aug. 24, 2007**

(30) **Foreign Application Priority Data**

Feb. 26, 2007 (DE) 4 07 01 059

(51) **LOC (8) Cl.** **12-16**

(52) **U.S. Cl.** **D12/209**

(58) **Field of Classification Search** D12/204-213;
301/37.101, 64.101, 65, 64.201

See application file for complete search history.

(56) **References Cited**

U.S. PATENT DOCUMENTS

D436,339 S *	1/2001	Fitzgerald	D12/209
D453,722 S *	2/2002	Fitzgerald	D12/209
D460,941 S *	7/2002	Muzzarelli	D12/211
D481,342 S *	10/2003	Kang	D12/209
D495,288 S *	8/2004	Walbey, Jr.	D12/209

D503,370 S	3/2005	Nordmann	
D504,649 S *	5/2005	Pfeiffer D12/209
D513,488 S *	1/2006	Chun D12/209
D515,996 S *	2/2006	Baumgartner D12/209
D526,609 S *	8/2006	Hosoi D12/209
D531,562 S *	11/2006	Kim D12/209
D531,953 S *	11/2006	Aoki D12/211
D541,204 S *	4/2007	Huet D12/211
D548,159 S *	8/2007	Young D12/209

FOREIGN PATENT DOCUMENTS

EM	000440813-0003	1/2006
WO	DM/061794	8/2002

* cited by examiner

Primary Examiner—Stacia Cadmus

(74) *Attorney, Agent, or Firm*—Crowell & Moring LLP

(57) **CLAIM**

The ornamental design for a front face of a vehicle wheel, as shown and described.

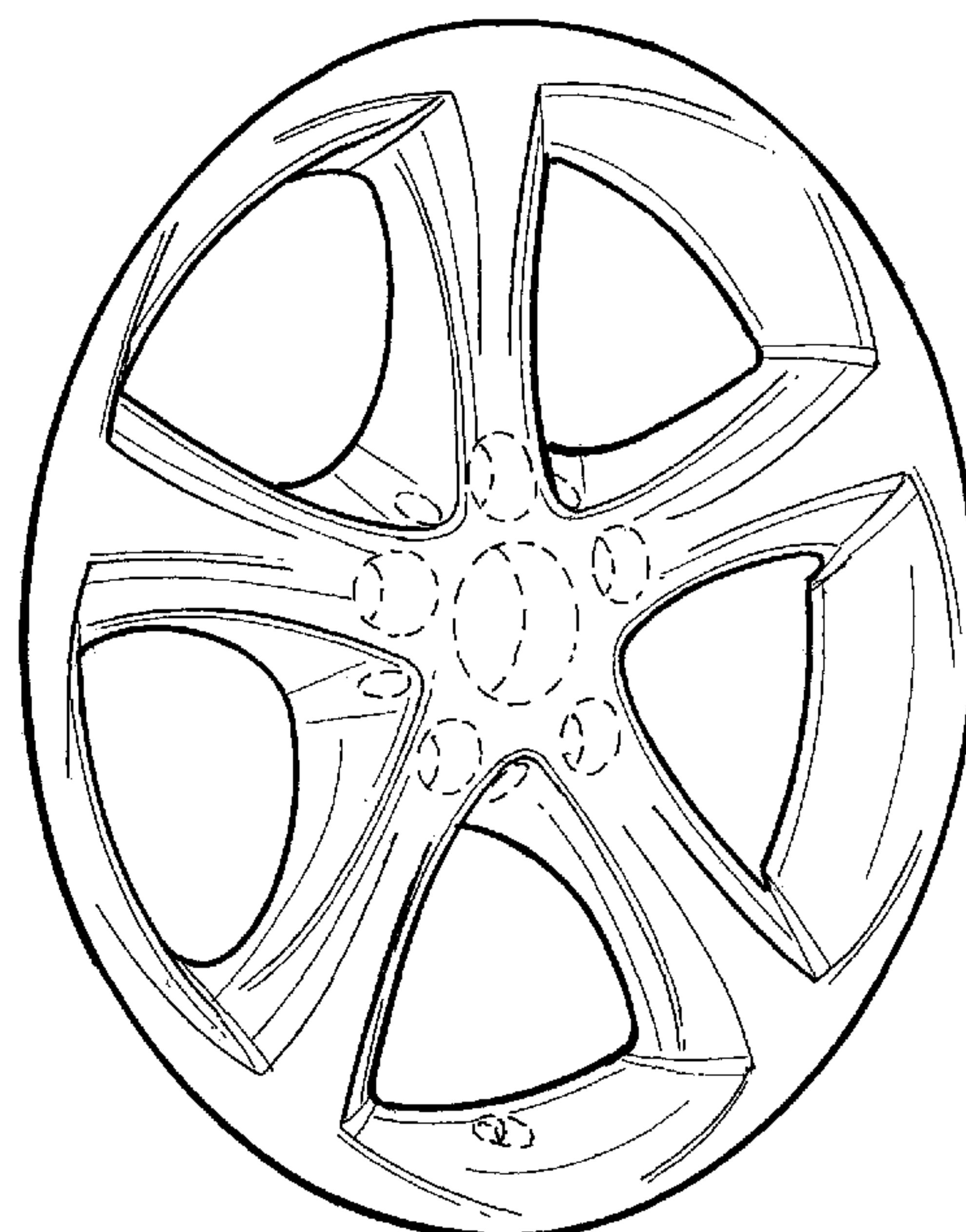
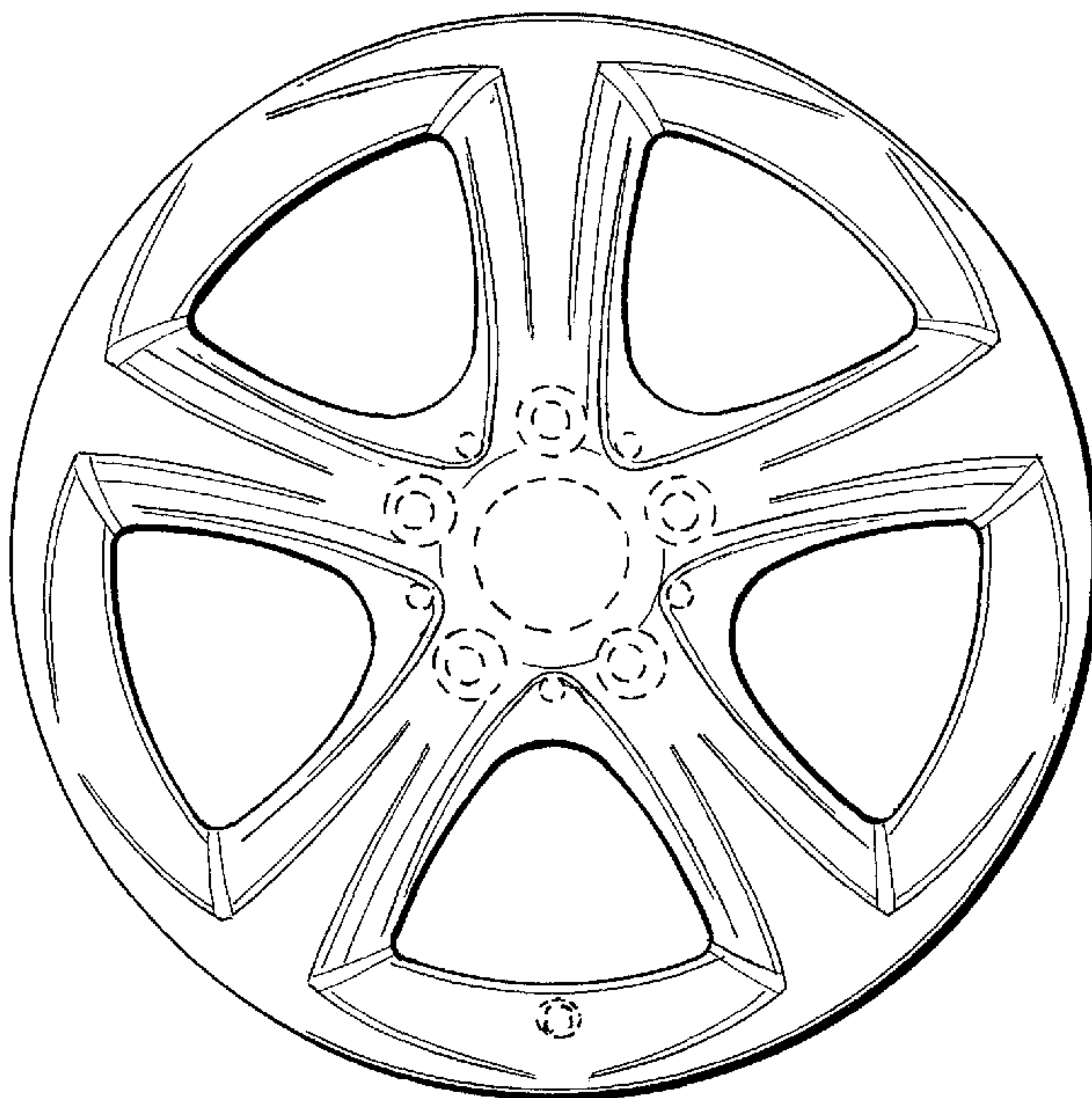
DESCRIPTION

FIG. 1 is a front view of a front face of a vehicle wheel according to my novel design; and,

FIG. 2 is a perspective view thereof.

The broken lines are for illustrative purposes only and form no part of the claimed design.

1 Claim, 1 Drawing Sheet



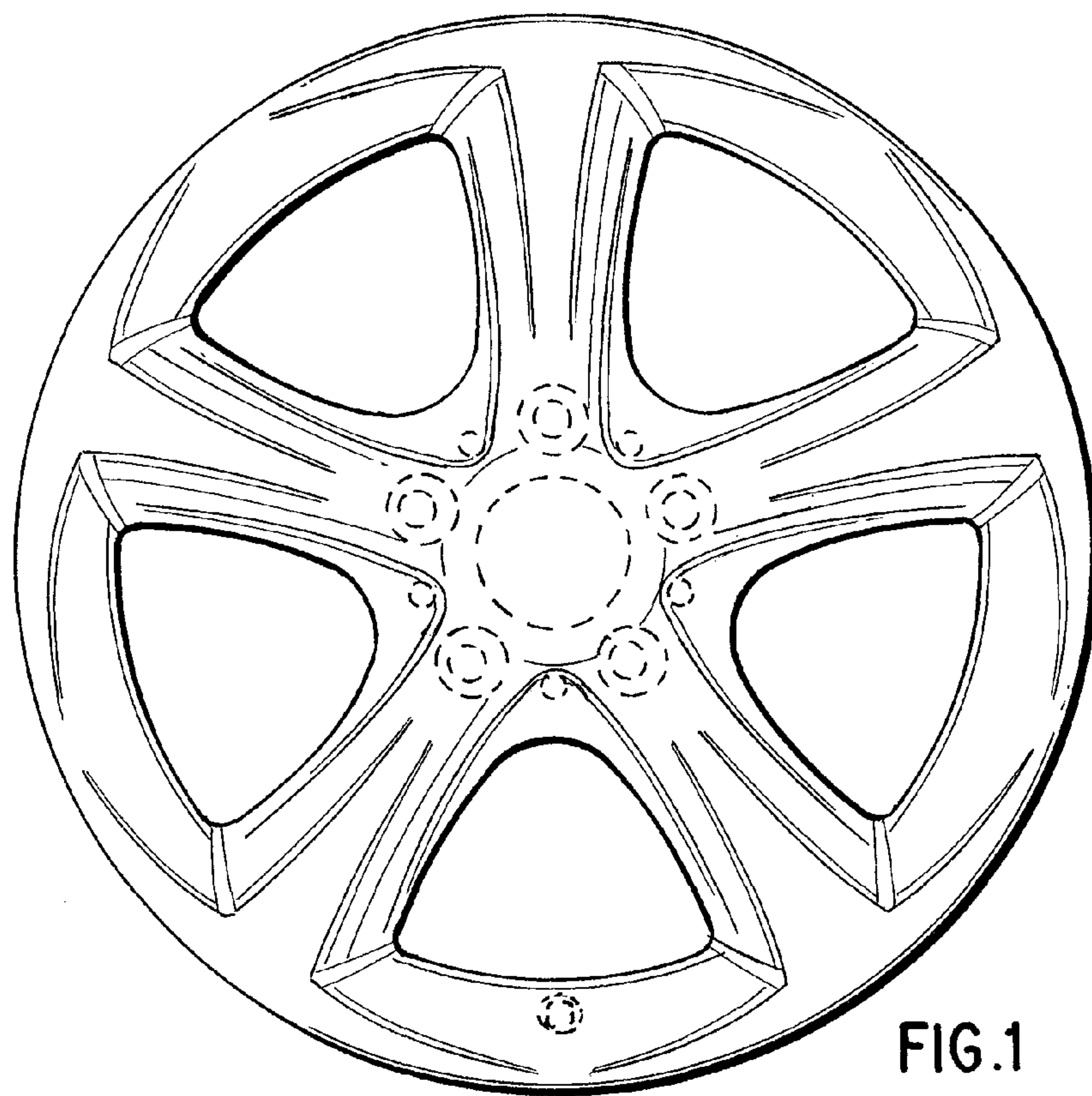


FIG. 1

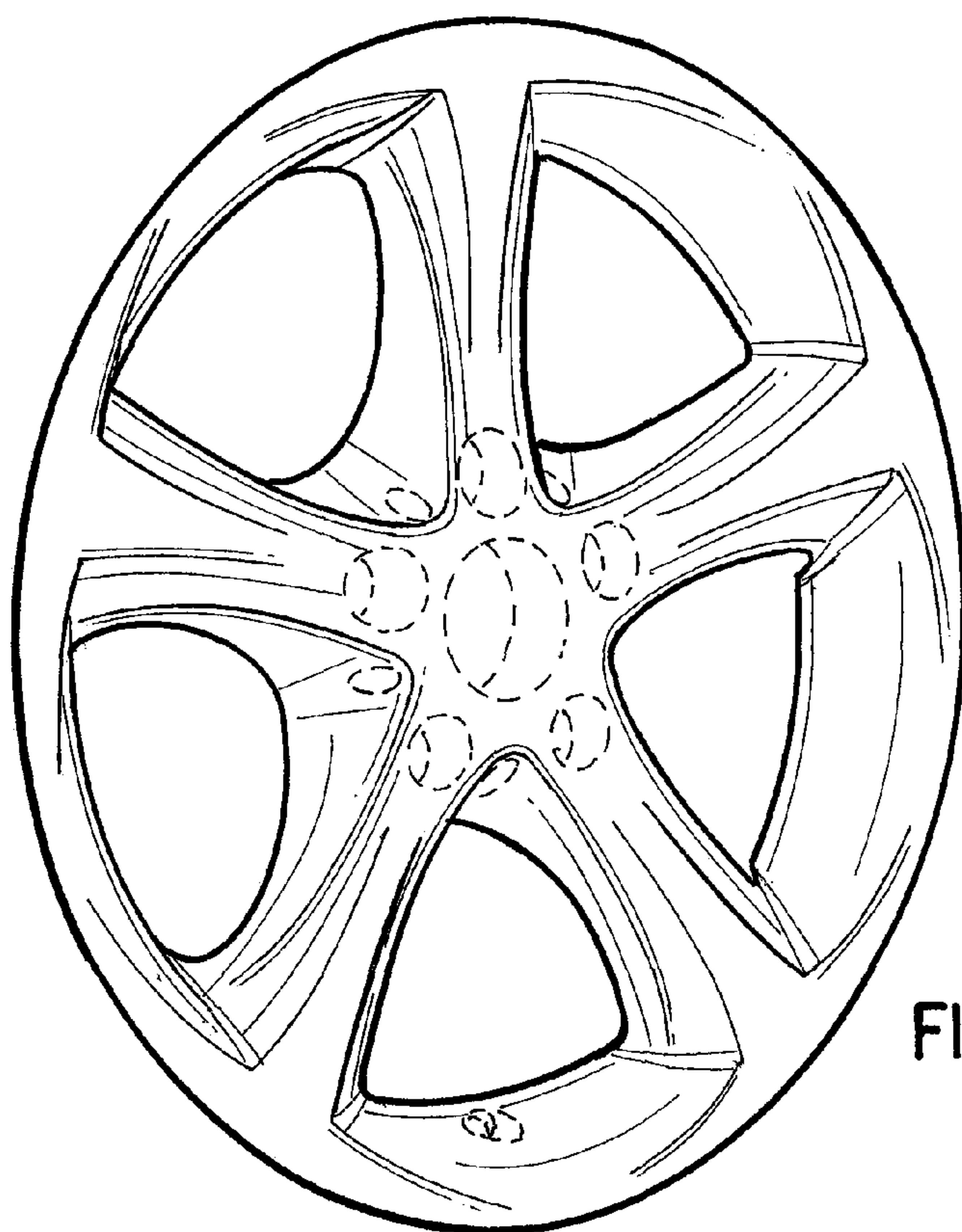


FIG. 2