



US00D573069S

(12) **United States Design Patent**
Jones

(10) **Patent No.:** **US D573,069 S**
(45) **Date of Patent:** **** *Jul. 15, 2008**

(54) **BICYCLE BRAKE PAD**

(75) Inventor: **Christopher S. Jones**, Milwaukee, WI
(US)

(73) Assignee: **Hayes Bicycle Group, Inc**, Mequon, WI
(US)

(**) Term: **14 Years**

(21) Appl. No.: **29/275,461**

(22) Filed: **Dec. 27, 2006**

(51) **LOC (8) Cl.** **12-16**

(52) **U.S. Cl.** **D12/180**

(58) **Field of Classification Search** D12/111,
D12/179, 180; 188/73.1, 73.3, 73.31-73.39,
188/73.43, 73.45, 218 XL, 250 B, 250 E,
188/250 G

See application file for complete search history.

(56) **References Cited**

U.S. PATENT DOCUMENTS

4,173,681	A *	11/1979	Durrieu et al.	428/409
D255,675	S *	7/1980	Weiser et al.	D12/180
D260,015	S *	7/1981	Sheill	D12/180
D270,824	S *	10/1983	Robinette	D12/180
D336,741	S	6/1993	Steinke et al.		
D337,089	S	7/1993	Steinke et al.		
D337,559	S	7/1993	Steinke et al.		
D357,656	S	4/1995	Steinke et al.		
D417,642	S *	12/1999	Ashley, Sr.	D12/180
6,003,639	A	12/1999	Buckley et al.		
6,267,206	B1 *	7/2001	Grimme et al.	188/73.1
6,340,074	B1	1/2002	Lumpkin et al.		
6,394,236	B1	5/2002	Matsuishita		
6,401,882	B1	6/2002	Ueda et al.		
6,425,464	B2	7/2002	Lumpkin et al.		
6,474,453	B2 *	11/2002	Sano	188/251 A
6,491,137	B2	12/2002	Lumpkin et al.		

6,564,910	B1	5/2003	Chen et al.		
D507,217	S *	7/2005	Goldenberg et al.	D12/180
7,261,188	B2	8/2007	Kariyama		
7,278,519	B2	10/2007	Iwai et al.		
2007/0240948	A1 *	10/2007	Kashimoto et al.	188/251 A

OTHER PUBLICATIONS

<http://www.koolstop.com/brakesDiscBrakes/index.php>, 5 pages printed Nov. 6, 2007.

Taiwan Bicycles Guide Parts & Accessories 2004-2005, Alligator Replacement Disc Brake Pads Suitable for Hope Technology 2 Pots "Mini".

Taiwan Bicycles Guide Parts & Accessories 2005-2006, p. 504.

* cited by examiner

Primary Examiner—Cathron Brooks

Assistant Examiner—Linda Brooks

(74) *Attorney, Agent, or Firm*—Whyte Hirschboeck Dudek SC

(57) **CLAIM**

The ornamental design for a bicycle brake pad, as shown and described.

DESCRIPTION

FIG. 1 is a front perspective view of the design;

FIG. 2 is a rear perspective view thereof;

FIG. 3 is a rear view thereof;

FIG. 4 is a front view thereof;

FIG. 5 is a side view of FIG. 4, rotated clockwise 90 degrees;

FIG. 6 is a side view of FIG. 5, rotated clockwise 180 degrees;

FIG. 7 is a top view of FIG. 3; and,

FIG. 8 is a bottom view of FIG. 3.

The broken lines shown in the figures form no part of the claimed design.

1 Claim, 3 Drawing Sheets

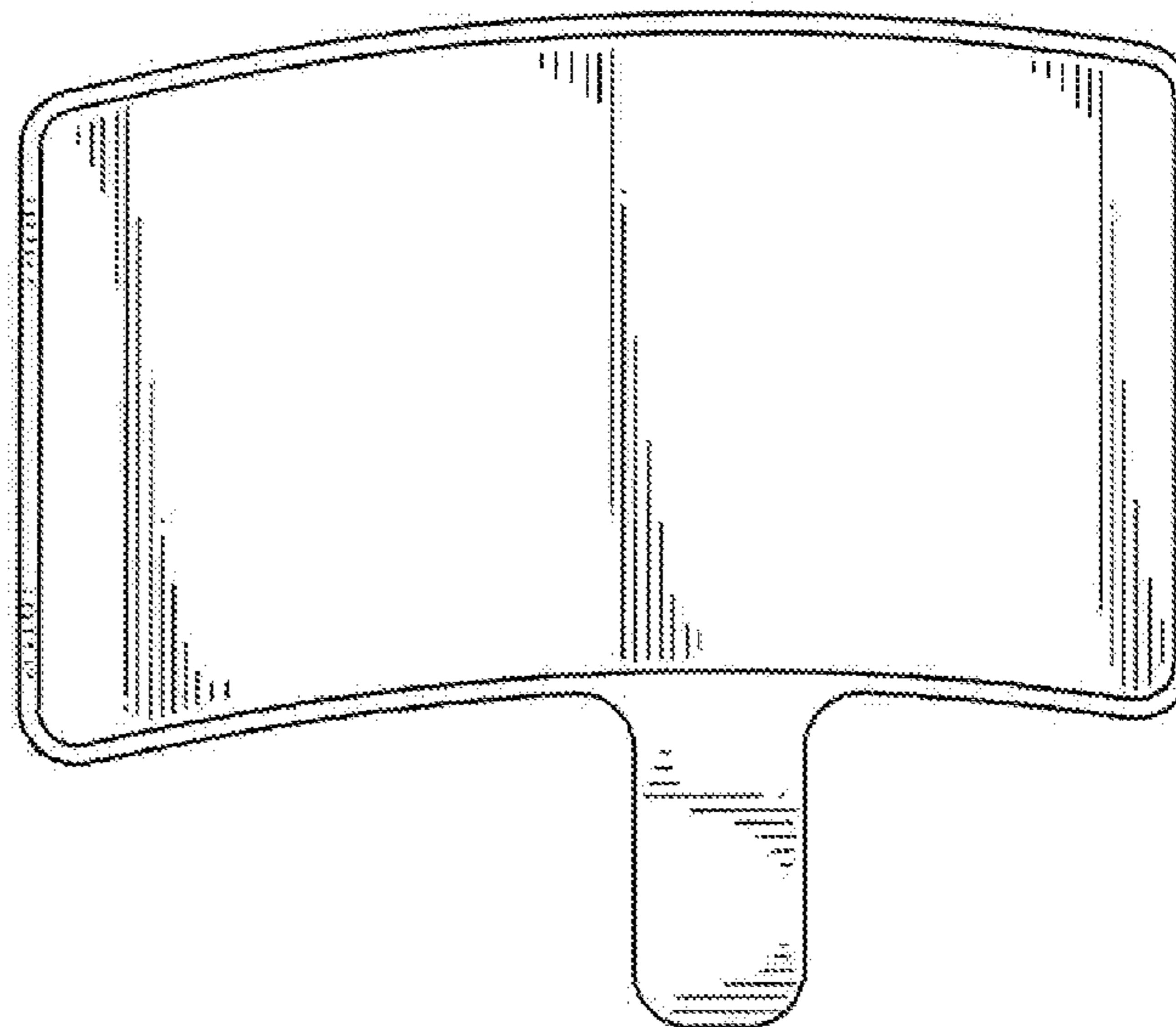
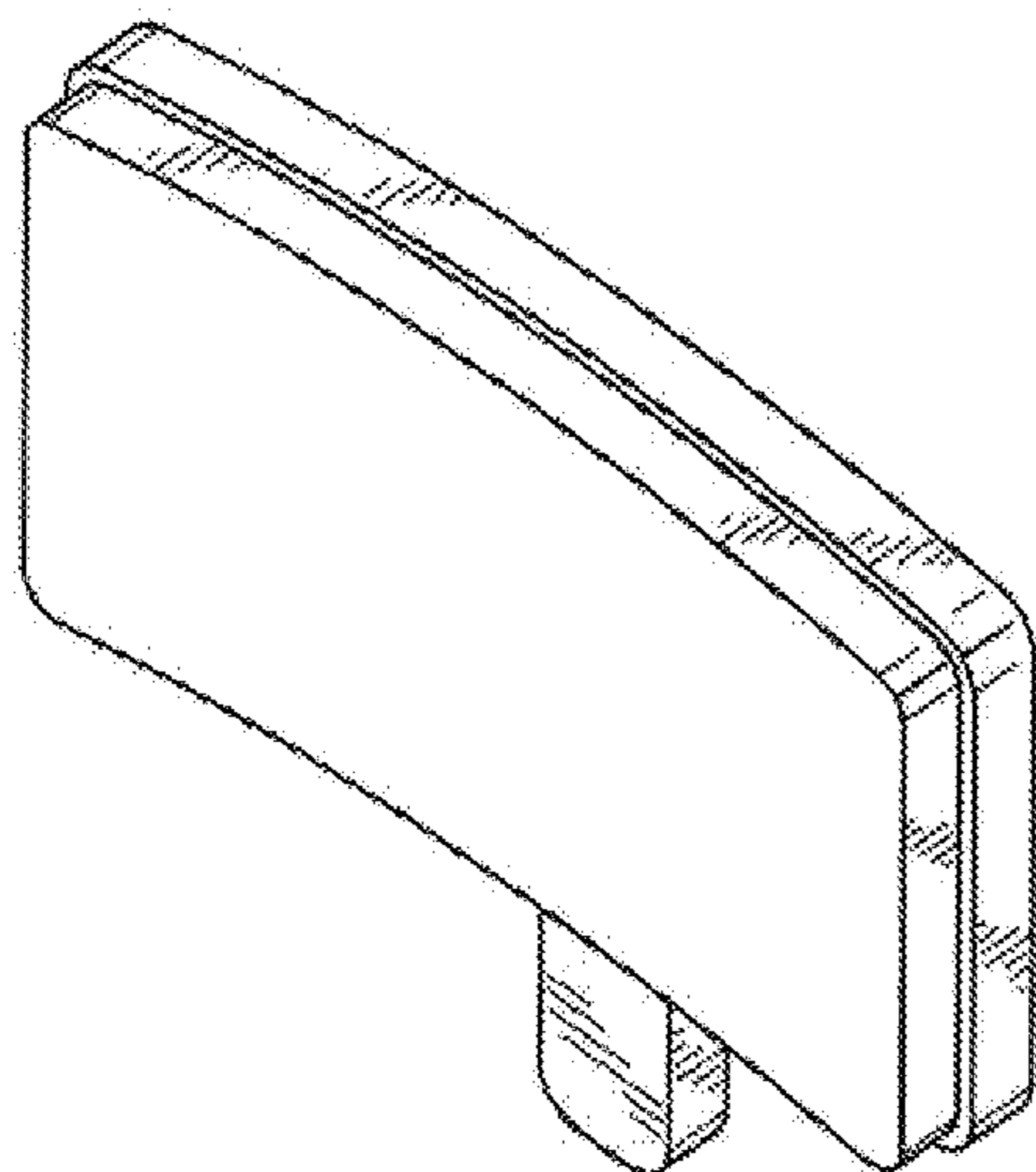


FIG. 1

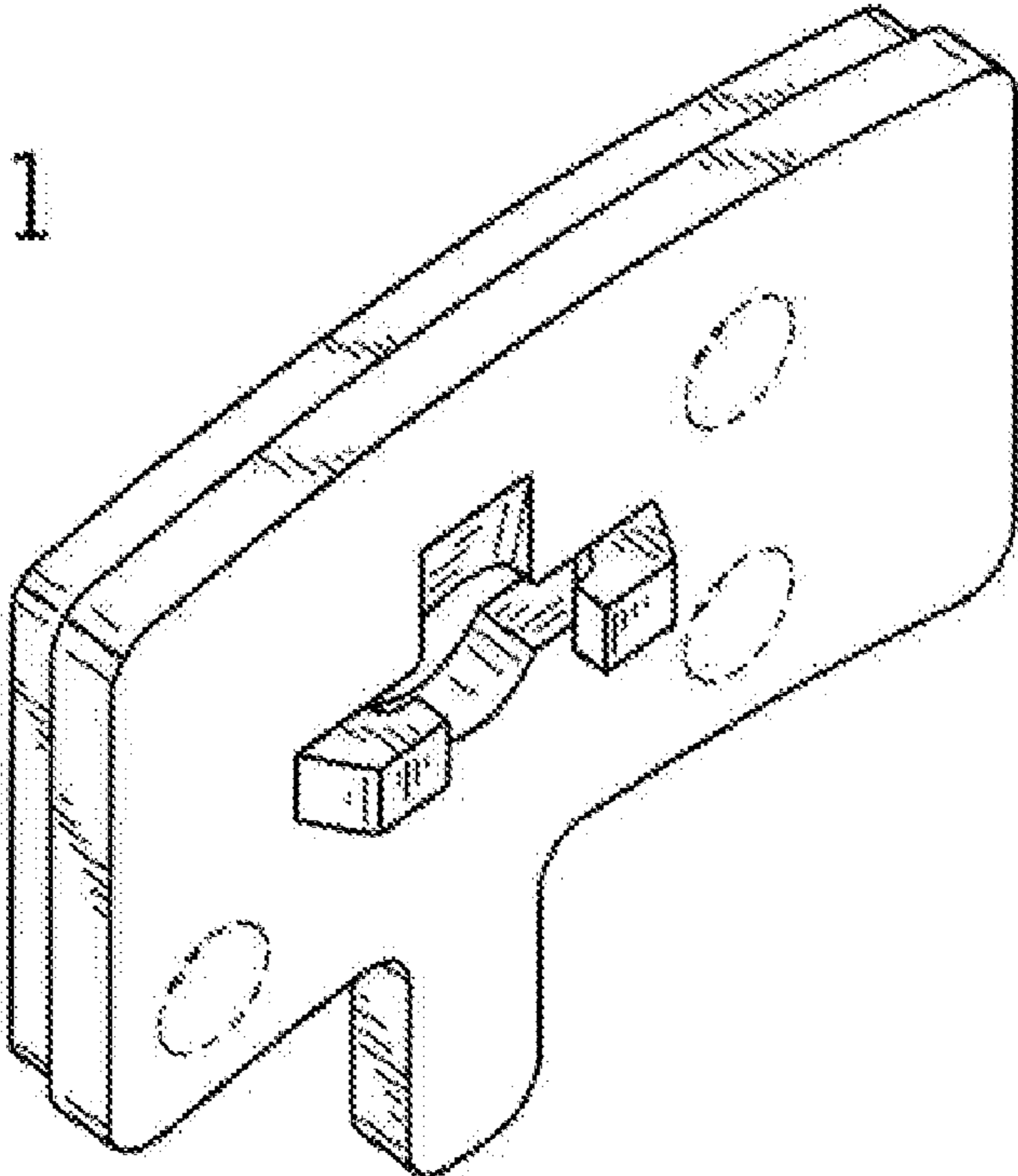


FIG. 2

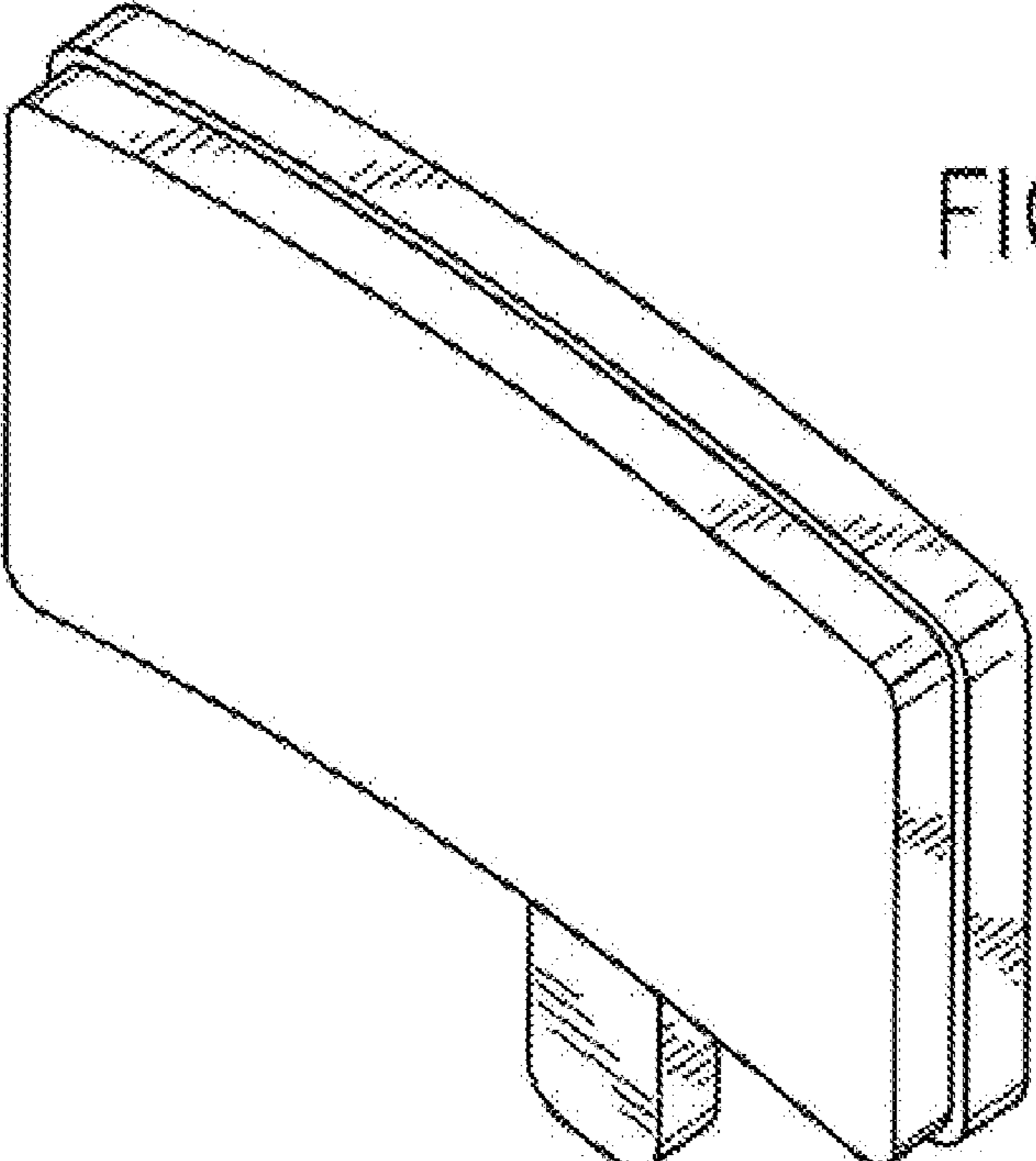


FIG. 3

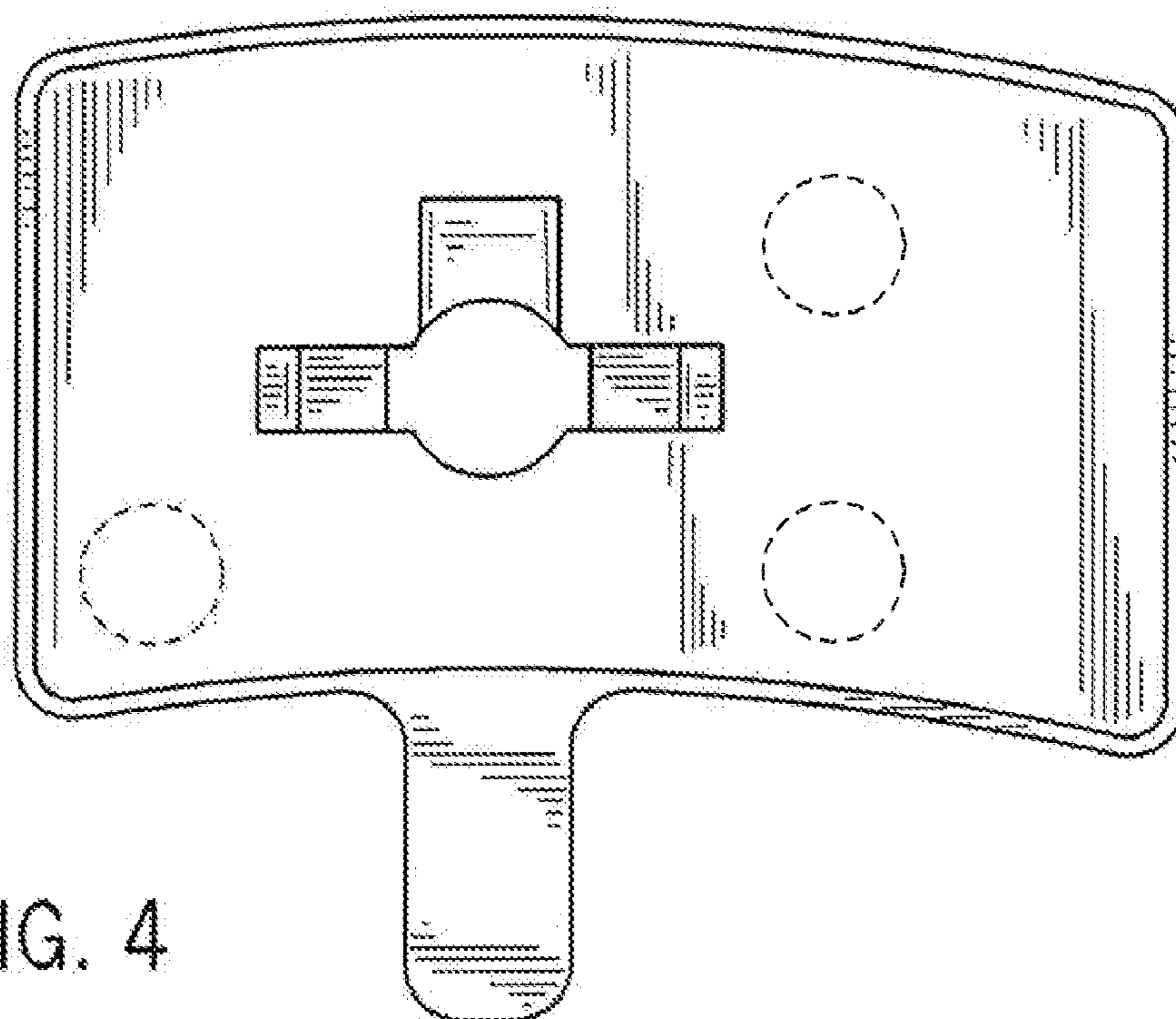
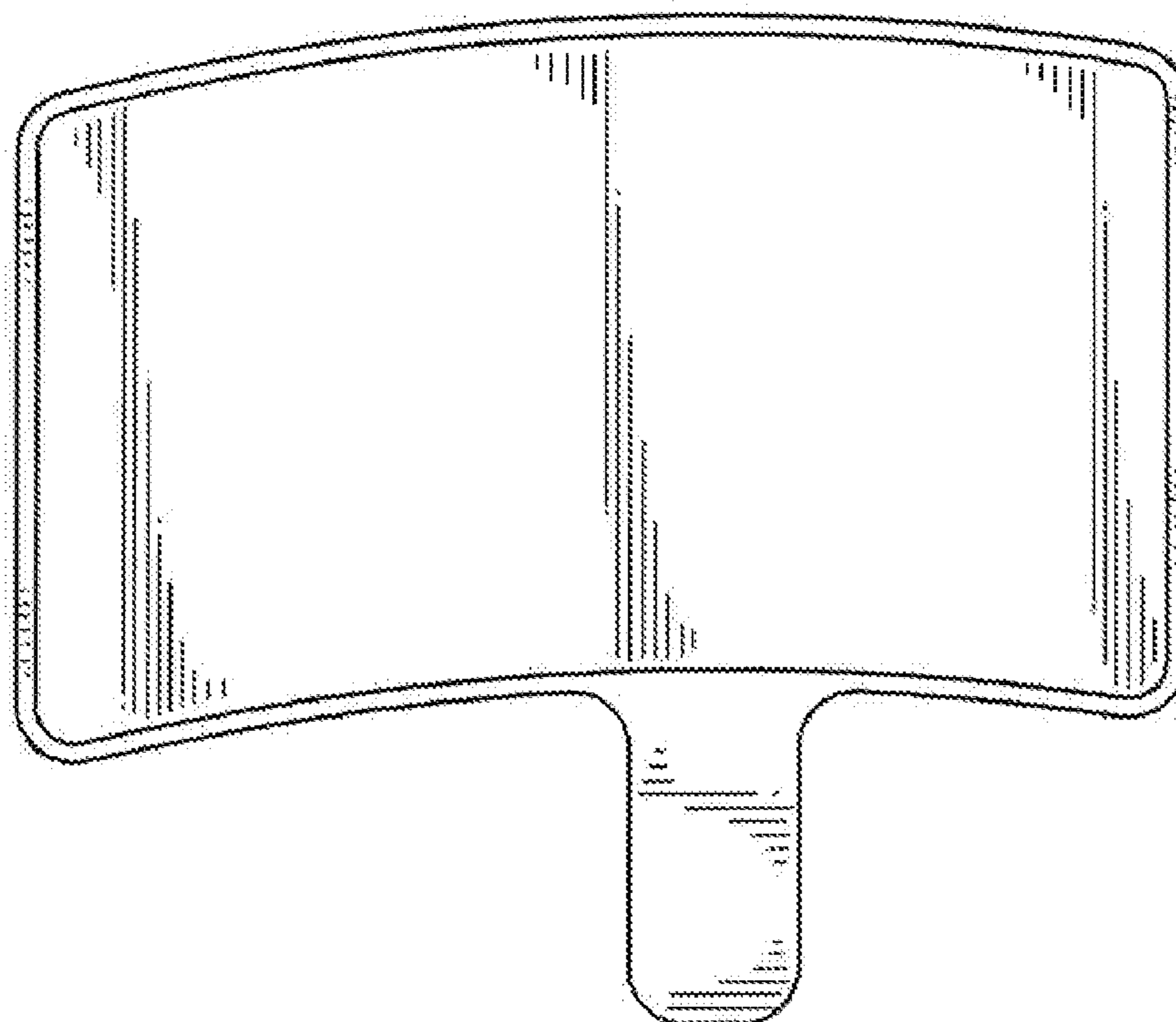


FIG. 4

FIG. 5

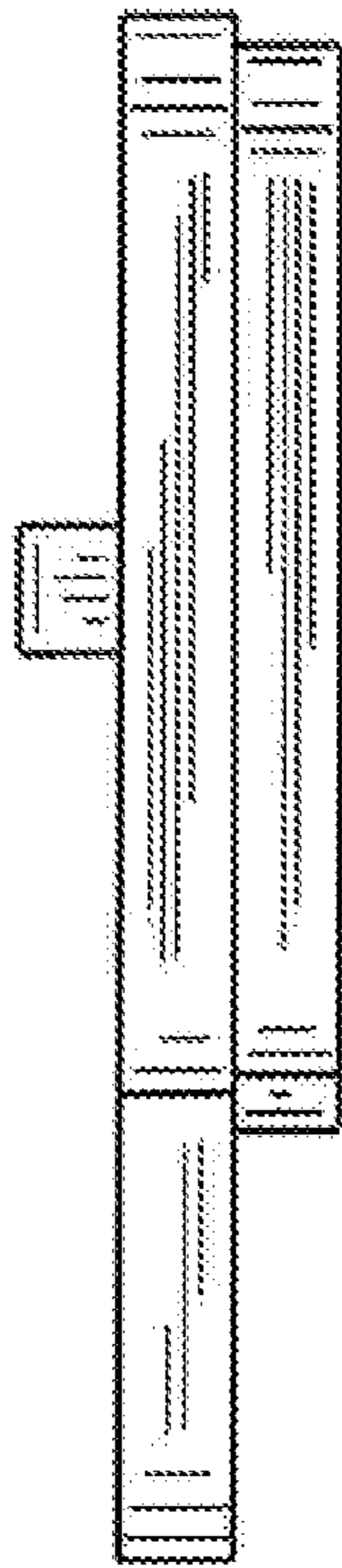


FIG. 6

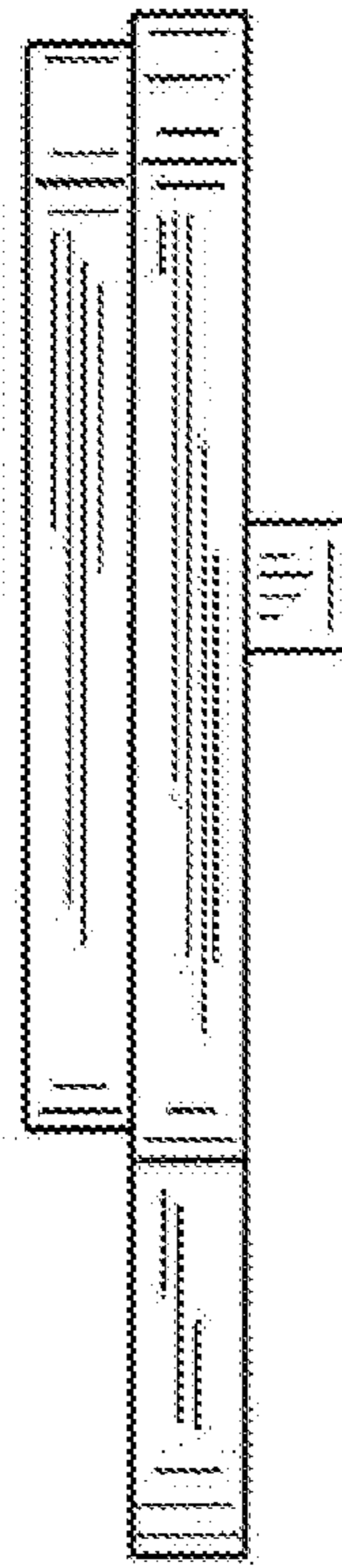


FIG. 7

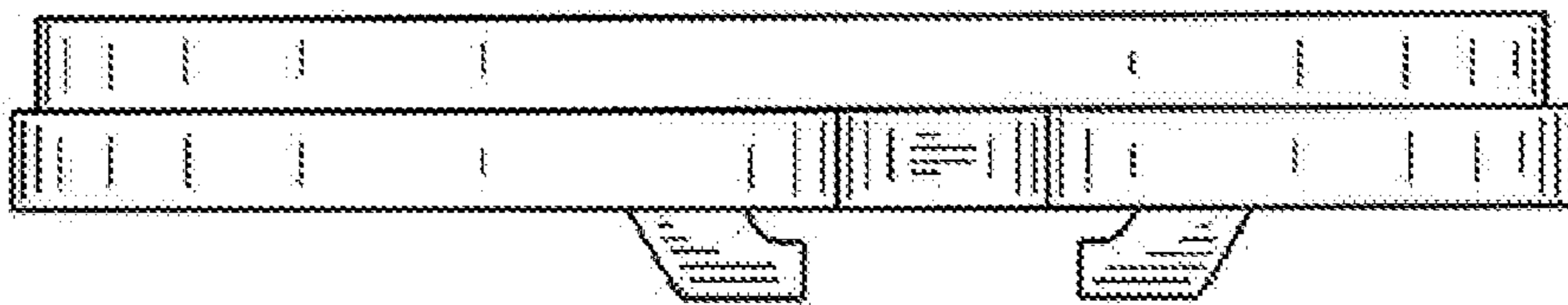
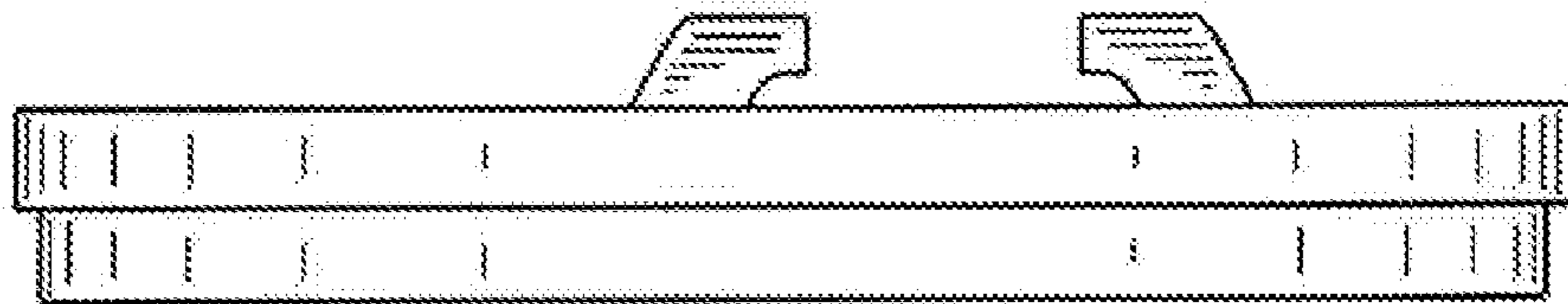


FIG. 8