



US00D573067S

(12) **United States Design Patent**  
**Ho**

(10) **Patent No.:** **US D573,067 S**  
(45) **Date of Patent:** **\*\* Jul. 15, 2008**

(54) **VEHICLE GRILLE**

D526,605 S \* 8/2006 Chung ..... D12/163  
D527,694 S \* 9/2006 Chung ..... D12/163

(76) Inventor: **Chih-Cheng Ho**, Ext 20, No. 73-2, 6  
Lin, Nansh Village, Linkou Hsiang,  
Taipei Hsien (TW)

\* cited by examiner

(\*\*) Term: **14 Years**

*Primary Examiner*—Melody N Brown  
(74) *Attorney, Agent, or Firm*—HersHKovitz & Associates,  
LLC; Abe HersHKovitz

(21) Appl. No.: **29/287,359**

(57) **CLAIM**

(22) Filed: **Jul. 27, 2007**

The ornamental design for a vehicle grille, as shown and  
described.

(51) **LOC (8) Cl.** ..... **12-16**

(52) **U.S. Cl.** ..... **D12/163**

(58) **Field of Classification Search** ..... D12/163,  
D12/171, 196, 216, 90-92, 86; 180/68.1,  
180/68.6; 296/193.11

**DESCRIPTION**

See application file for complete search history.

FIG. 1 is a perspective view of a vehicle grille showing my  
new design;

(56) **References Cited**

FIG. 2 is a front view thereof;

**U.S. PATENT DOCUMENTS**

FIG. 3 is a rear view thereof;

- D471,846 S \* 3/2003 Pfeiffer et al. .... D12/163
- D473,497 S \* 4/2003 Leazenby ..... D12/163
- D492,920 S \* 7/2004 Elwell et al. .... D12/163
- D494,514 S \* 8/2004 Pfeiffer ..... D12/163
- D496,884 S \* 10/2004 Okonkwo ..... D12/92
- D514,480 S \* 2/2006 Yamaji et al. .... D12/163

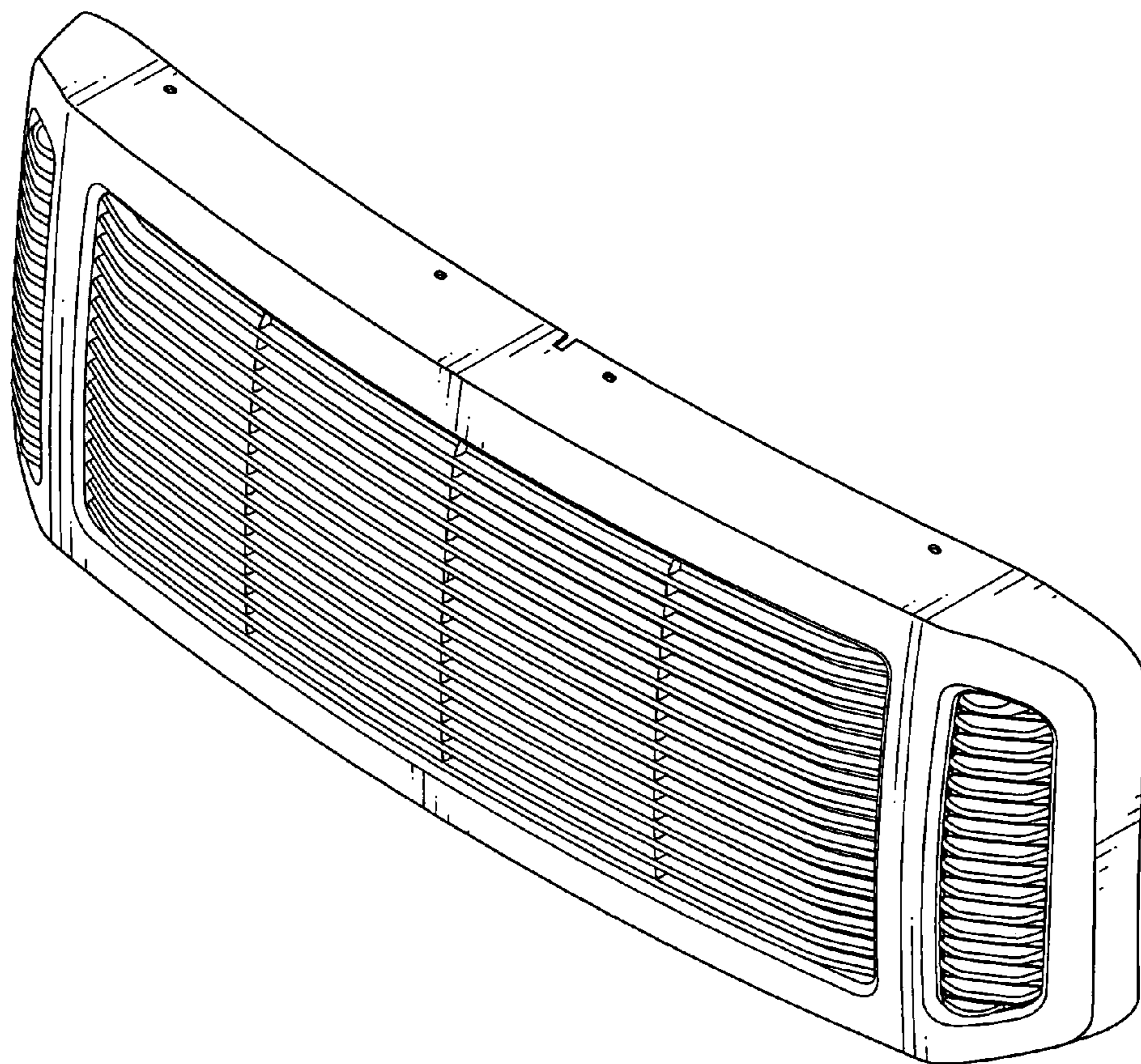
FIG. 4 is a left side view thereof;

FIG. 5 is a right side view thereof;

FIG. 6 is a top view thereof; and,

FIG. 7 is a bottom view thereof.

**1 Claim, 7 Drawing Sheets**



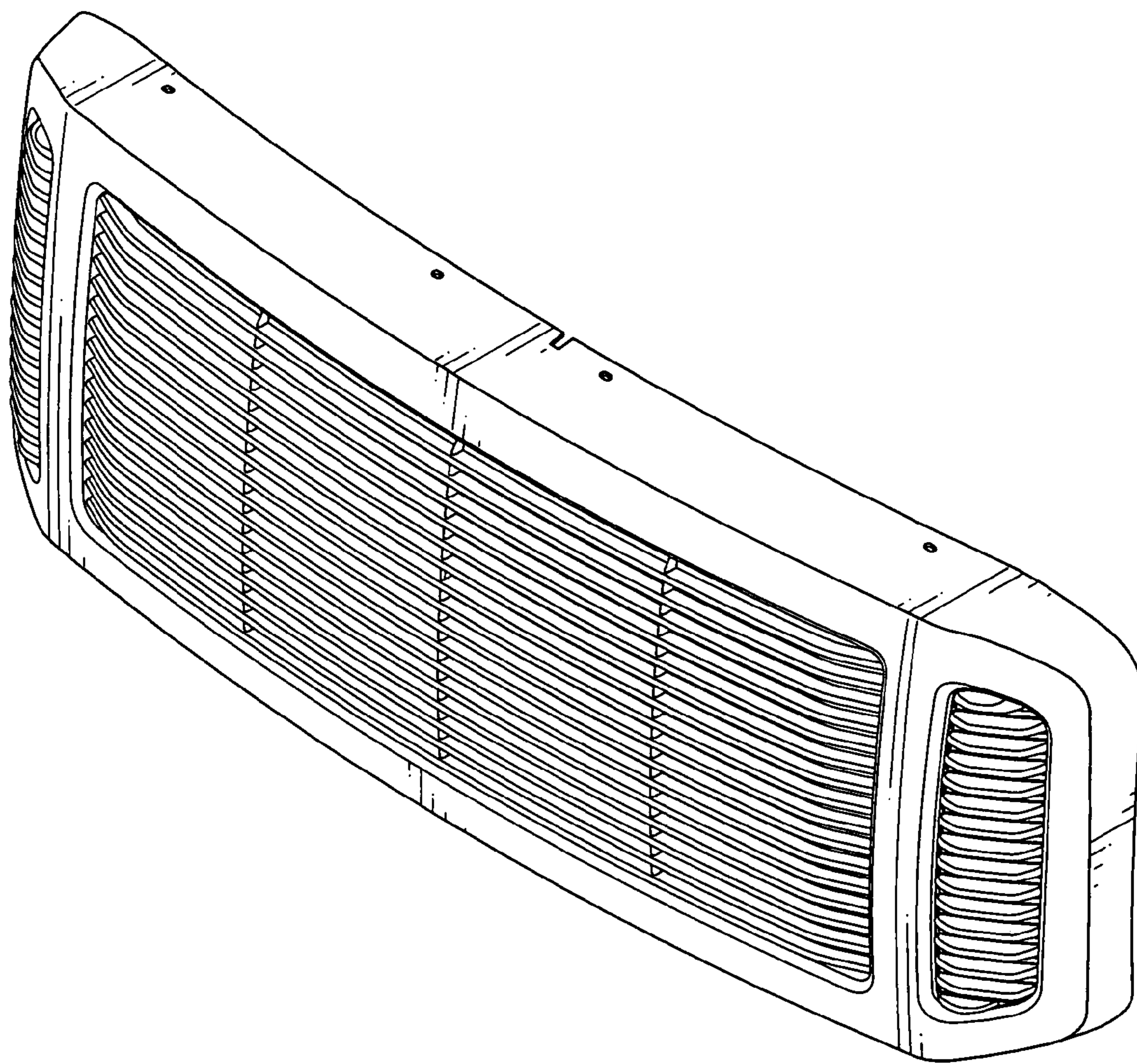


FIG.1

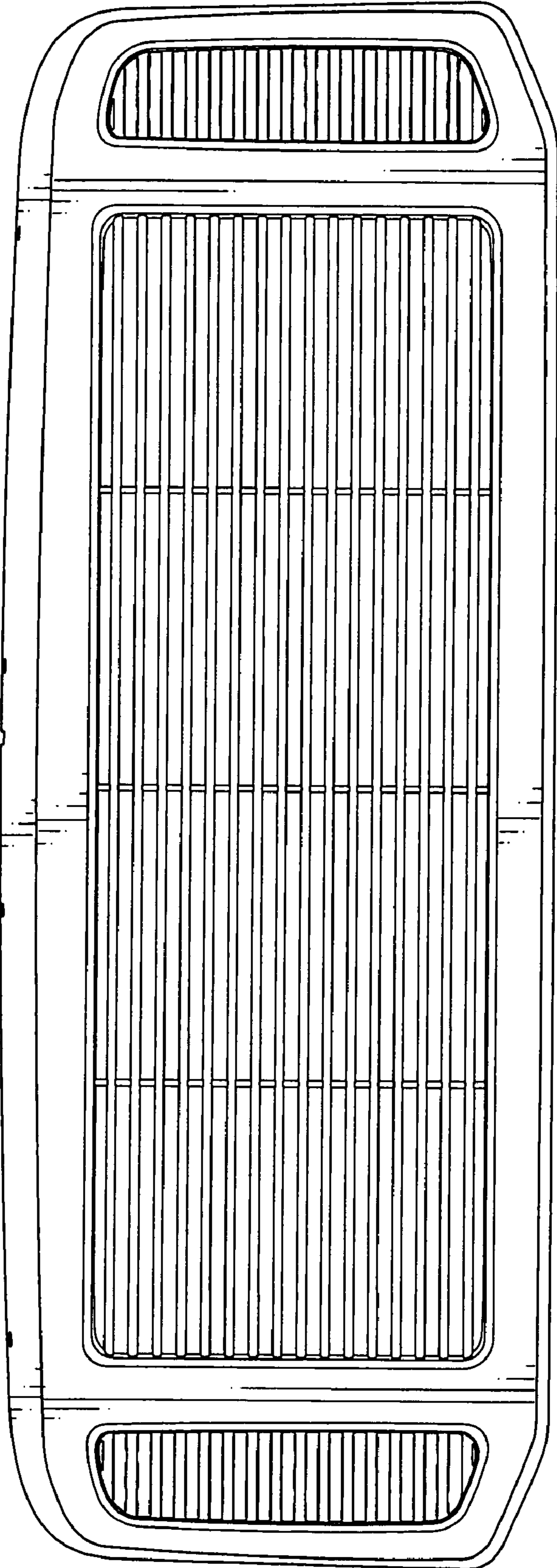


FIG.2

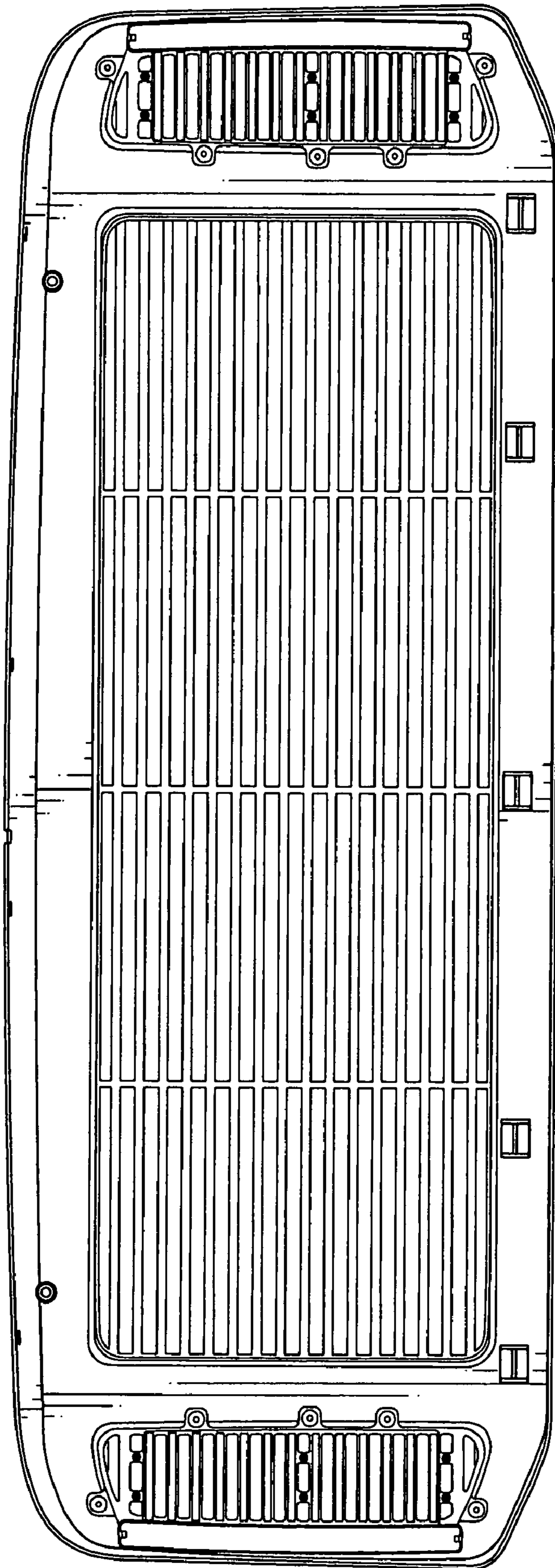


FIG.3

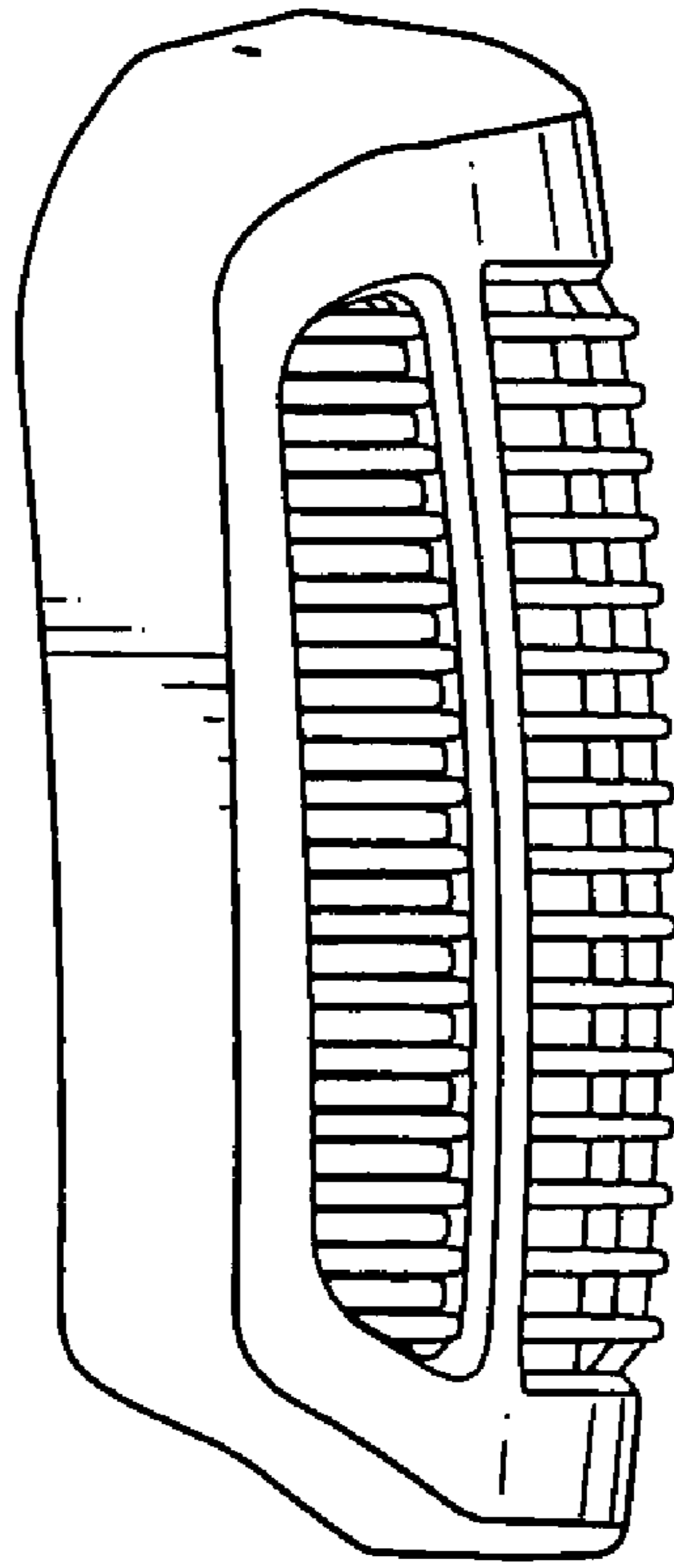


FIG.4

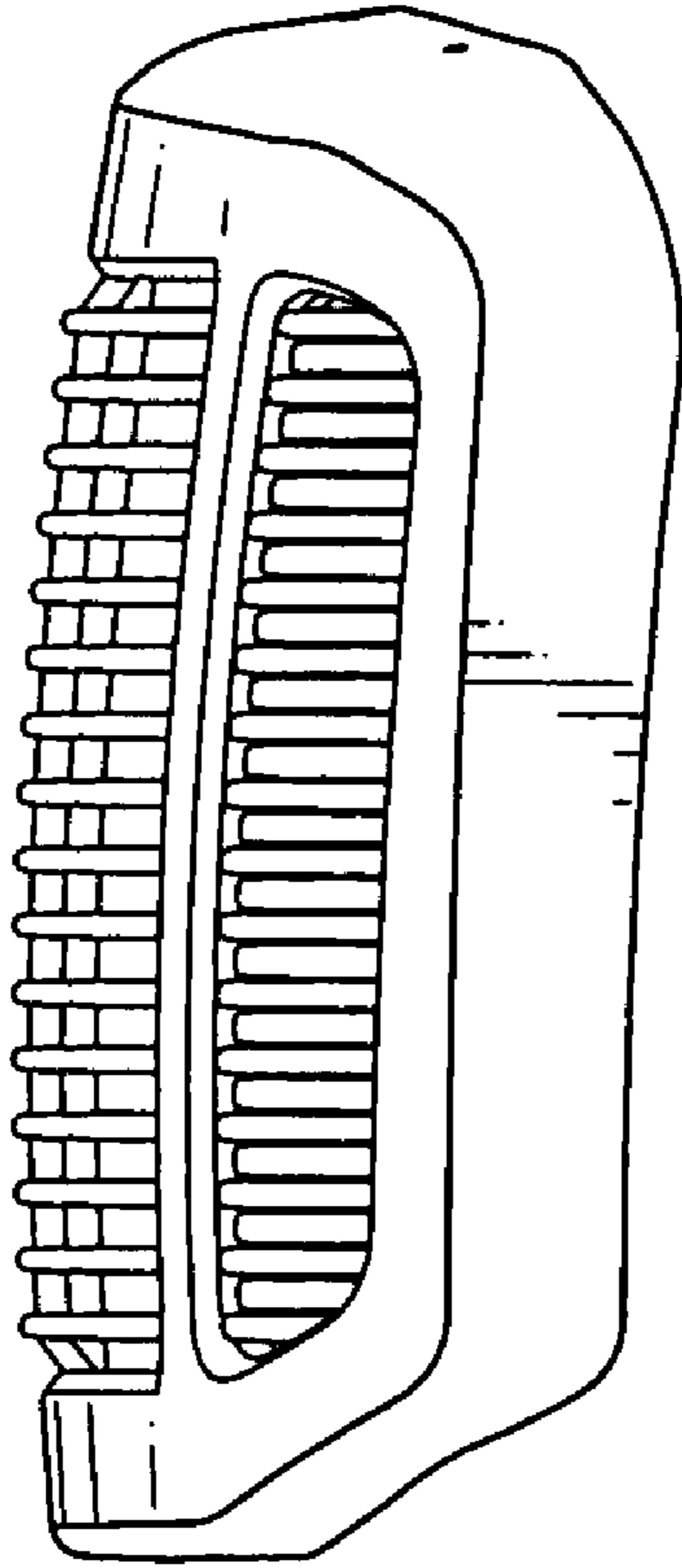


FIG.5

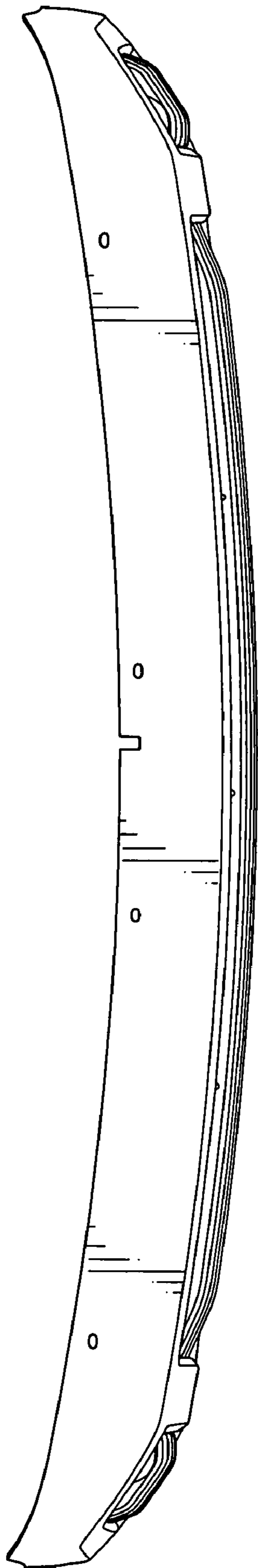


FIG.6

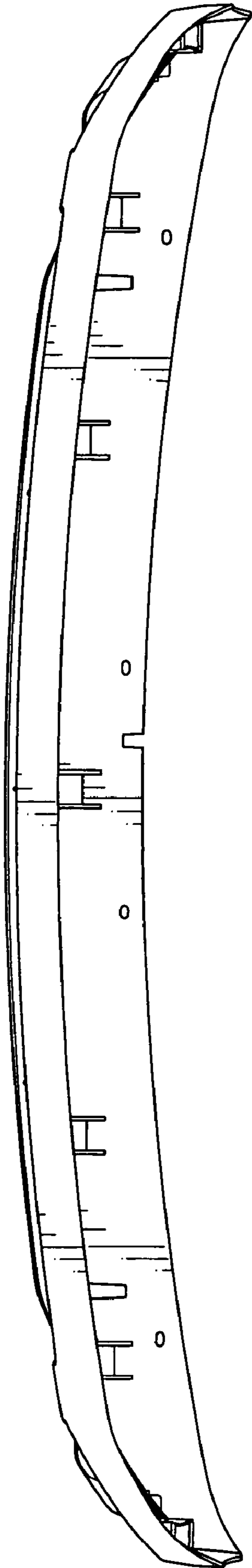


FIG.7