



US00D573063S

(12) **United States Design Patent**  
**Sawai**

(10) **Patent No.:** **US D573,063 S**  
(45) **Date of Patent:** **\*\* Jul. 15, 2008**

(54) **AUTOMOBILE**

(75) Inventor: **Daisuke Sawai**, Saitama (JP)

(73) Assignee: **Honda Motor Co., Ltd.**, Tokyo (JP)

(\*\*) Term: **14 Years**

(21) Appl. No.: **29/281,197**

(22) Filed: **Jun. 18, 2007**

(30) **Foreign Application Priority Data**

Dec. 22, 2006 (JP) ..... 2006-035218

(51) **LOC (8) Cl.** ..... **12-08**

(52) **U.S. Cl.** ..... **D12/92**

(58) **Field of Classification Search** ..... D12/90-92,  
D12/86, 88; D21/424, 433; 296/181.1, 181.5  
See application file for complete search history.

(56) **References Cited**

**U.S. PATENT DOCUMENTS**

D525,915 S \* 8/2006 Minowa et al. .... D12/92  
D537,383 S \* 2/2007 Kato ..... D12/91  
D547,699 S \* 7/2007 Okazaki et al. .... D12/92

**OTHER PUBLICATIONS**

Japanese Office Action dated Jun. 22, 2007, Application No. 2006-035219.

\* cited by examiner

*Primary Examiner*—Melody N. Brown

(74) *Attorney, Agent, or Firm*—Westerman, Hattori, Daniels & Adrian, LLP.

(57) **CLAIM**

The ornamental design for, an automobile, as shown and described.

**DESCRIPTION**

FIG. 1 is a front and right side perspective view of an automobile, showing our new design;

FIG. 2 is a right and rear perspective view thereof;

FIG. 3 is a front elevation view thereof;

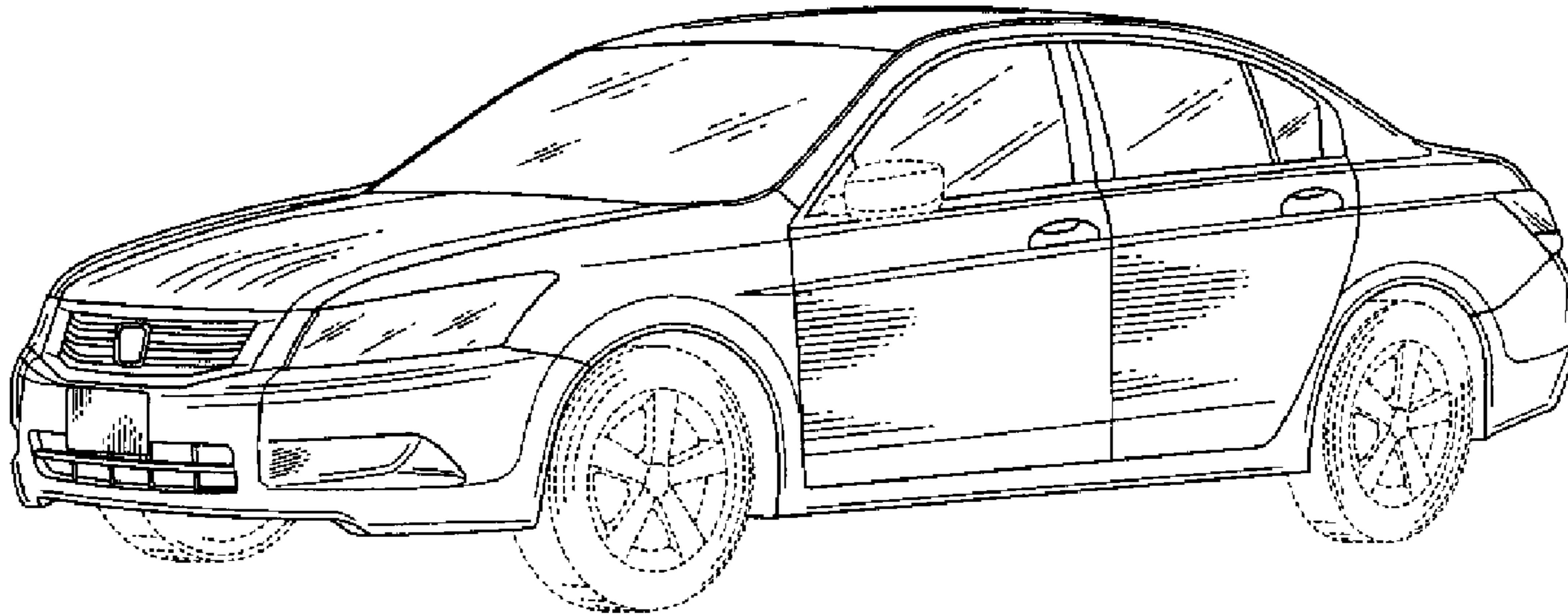
FIG. 4 is a left side elevation view thereof the right side being a mirror image of that shown;

FIG. 5 is a rear side elevation view thereof; and,

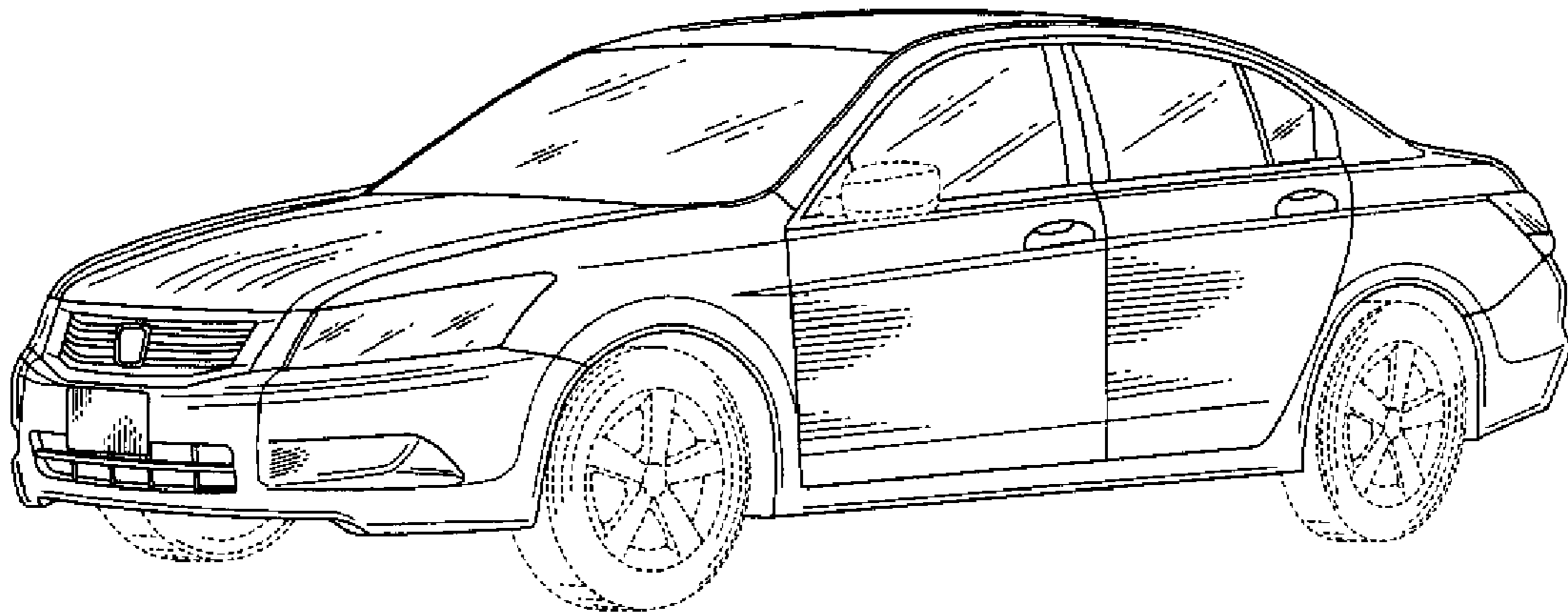
FIG. 6 is a top plan view thereof.

The broken lines are for illustrative purposes only and form no part of the claimed design.

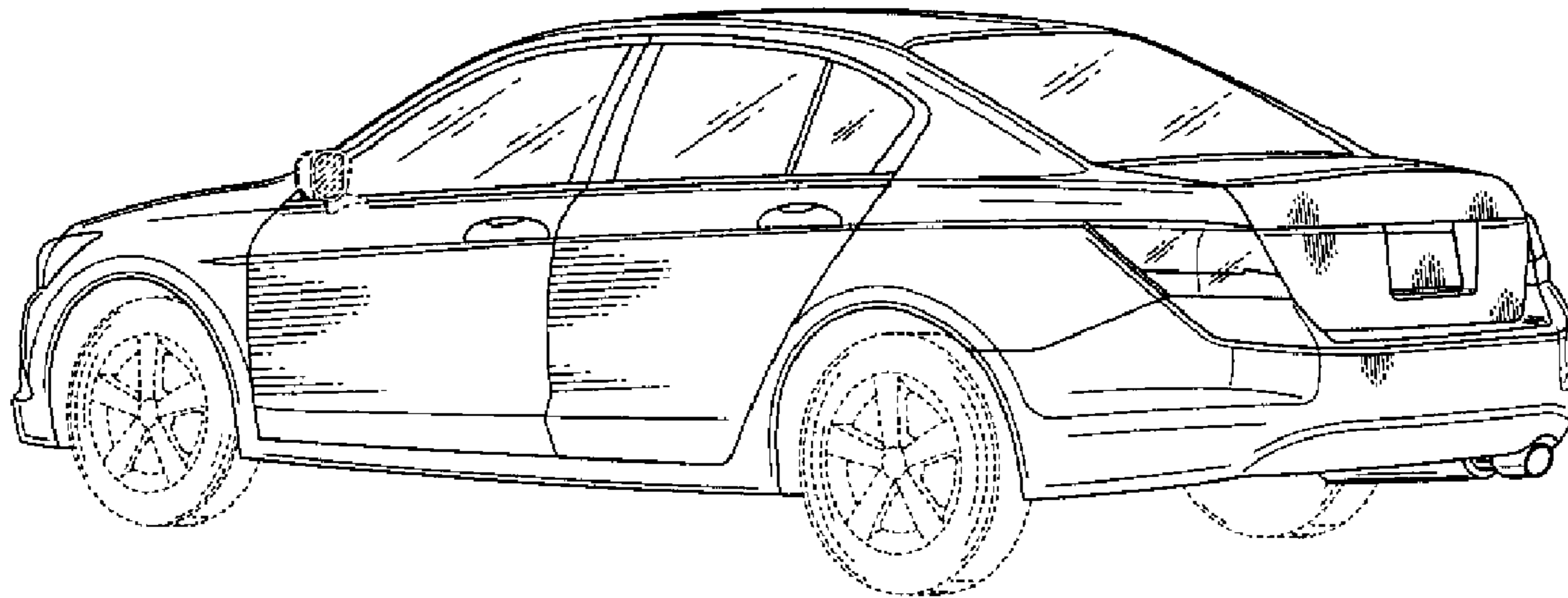
**1 Claim, 5 Drawing Sheets**



F I G. 1



F I G. 2



F I G. 3

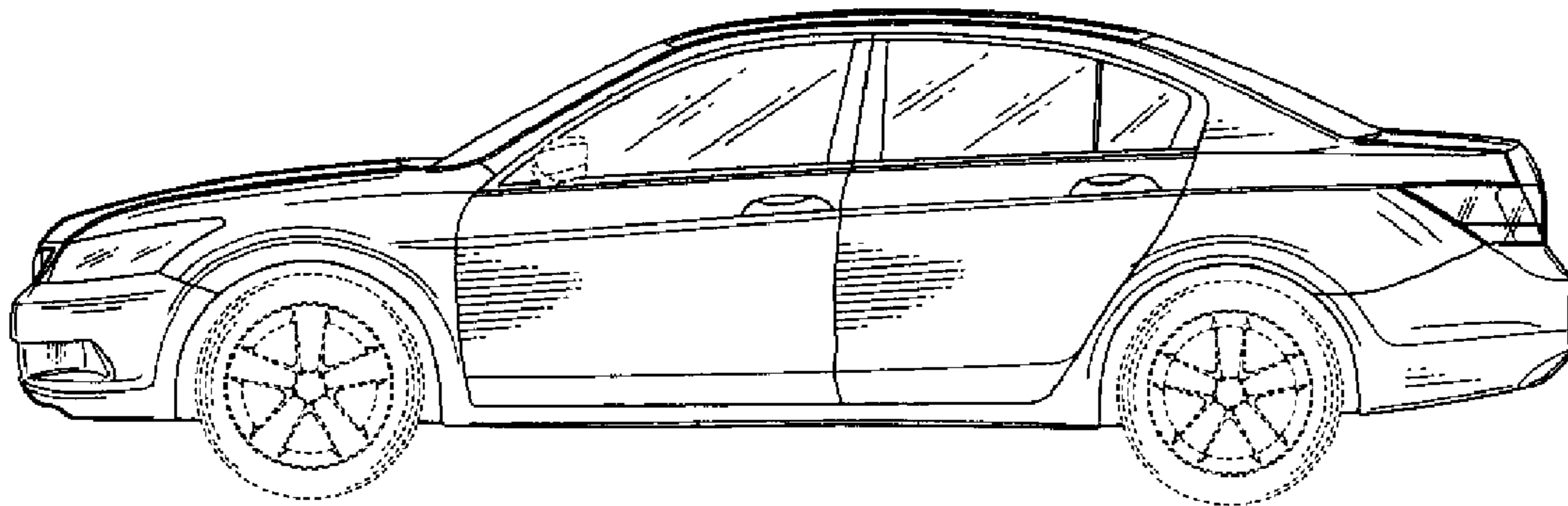


FIG. 4

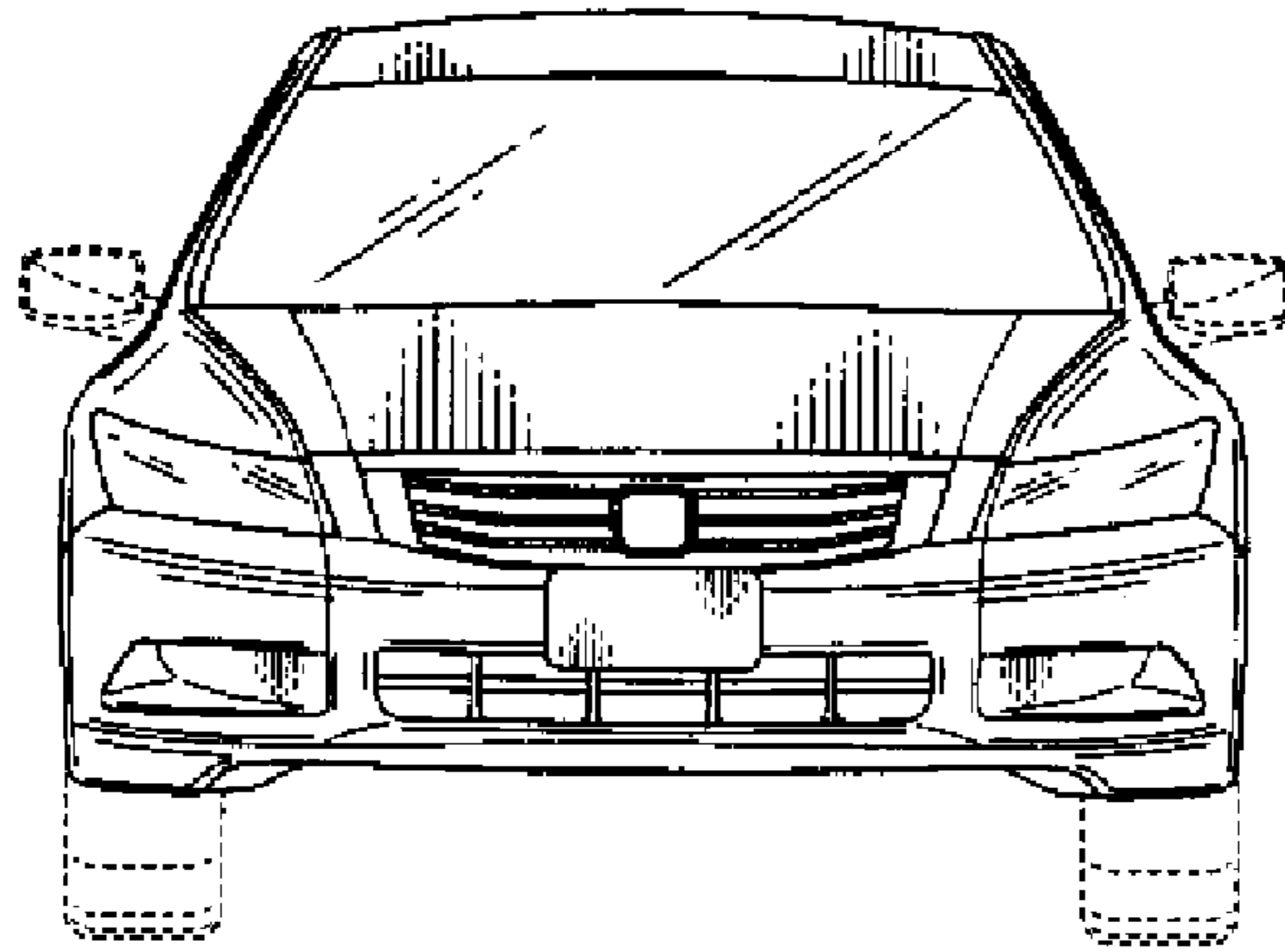
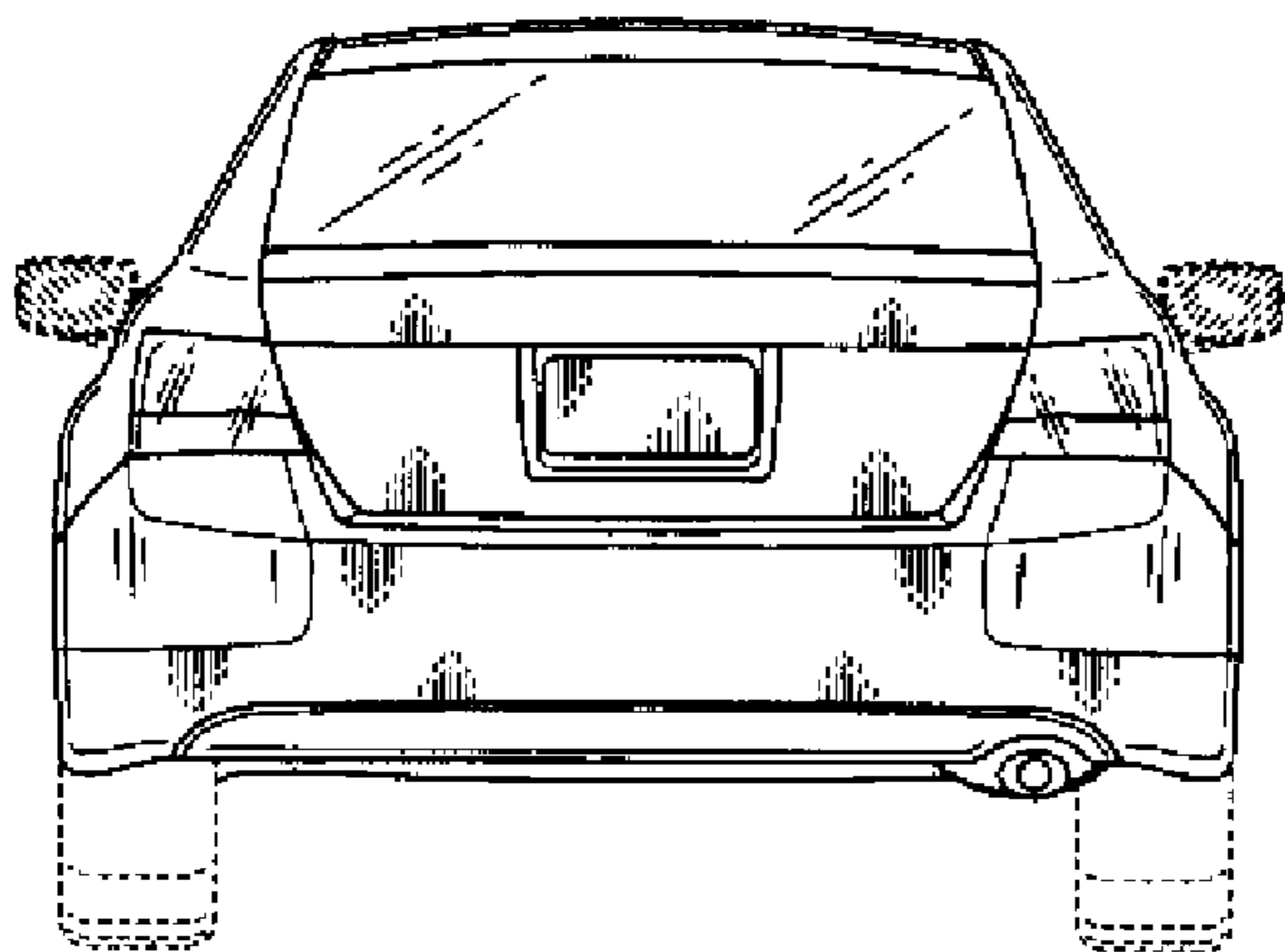


FIG. 5



F I G. 6

