



US00D573062S

(12) **United States Design Patent**
Litchfield

(10) **Patent No.:** **US D573,062 S**
(45) **Date of Patent:** **** Jul. 15, 2008**

(54) **COLLAPSIBLE BEACH SAND SLED**

(76) Inventor: **Kurt Litchfield**, 2080 NW. 69th Ter.,
Margate, FL (US) 33063

(**) Term: **14 Years**

(21) Appl. No.: **29/257,101**

(22) Filed: **Mar. 29, 2006**

(51) **LOC (8) Cl.** **12-14**

(52) **U.S. Cl.** **D12/6**

(58) **Field of Classification Search** D12/1,
D12/6, 7, 8, 9, 10, 11, 101, 302, 162, 223;
280/14.1, 20.1, 26, 22, 28.16, 12.13, 13,
280/8, 845, 28, 15-20; 188/8; 224/259,
224/261, 262; 114/249, 351; D21/425, 483,
D21/767

See application file for complete search history.

(56) **References Cited**

U.S. PATENT DOCUMENTS

D189,048 S *	10/1960	Wetzel	D12/11
3,052,899 A *	9/1962	Antoine	441/71
3,140,878 A *	7/1964	Davis	280/18
3,319,972 A *	5/1967	Gallaher	280/18
3,435,471 A *	4/1969	Drennen, Jr.	441/65
3,484,801 A *	12/1969	Carlin	280/18
3,771,808 A *	11/1973	Duerst	280/19
4,046,393 A *	9/1977	Vadnais	280/19
4,335,891 A *	6/1982	Alley et al.	280/19
4,389,961 A *	6/1983	Parish	114/345

4,413,832 A *	11/1983	Pendleton	280/845
D287,111 S *	12/1986	Walker	D12/6
5,104,133 A *	4/1992	Reiner	280/19
5,246,401 A *	9/1993	Boatwright	472/116
D416,518 S *	11/1999	Hoke	D12/6
5,979,351 A *	11/1999	Fleischman et al.	114/253
6,289,833 B1 *	9/2001	Kirk	114/39.21
6,623,018 B2 *	9/2003	Fireman et al.	280/18
6,746,028 B2 *	6/2004	Barbee	280/20

* cited by examiner

Primary Examiner—Robert M. Spear

Assistant Examiner—Ania K Dworzecka

(74) *Attorney, Agent, or Firm*—Gold & Rizvi, P.A.; H. John Rizvi; Glen E. Gold

(57) **CLAIM**

I claim the ornamental design for a collapsible beach sand sled, as shown and described.

DESCRIPTION

FIG. 1 is a top perspective view of a collapsible beach sand sled showing my new design;

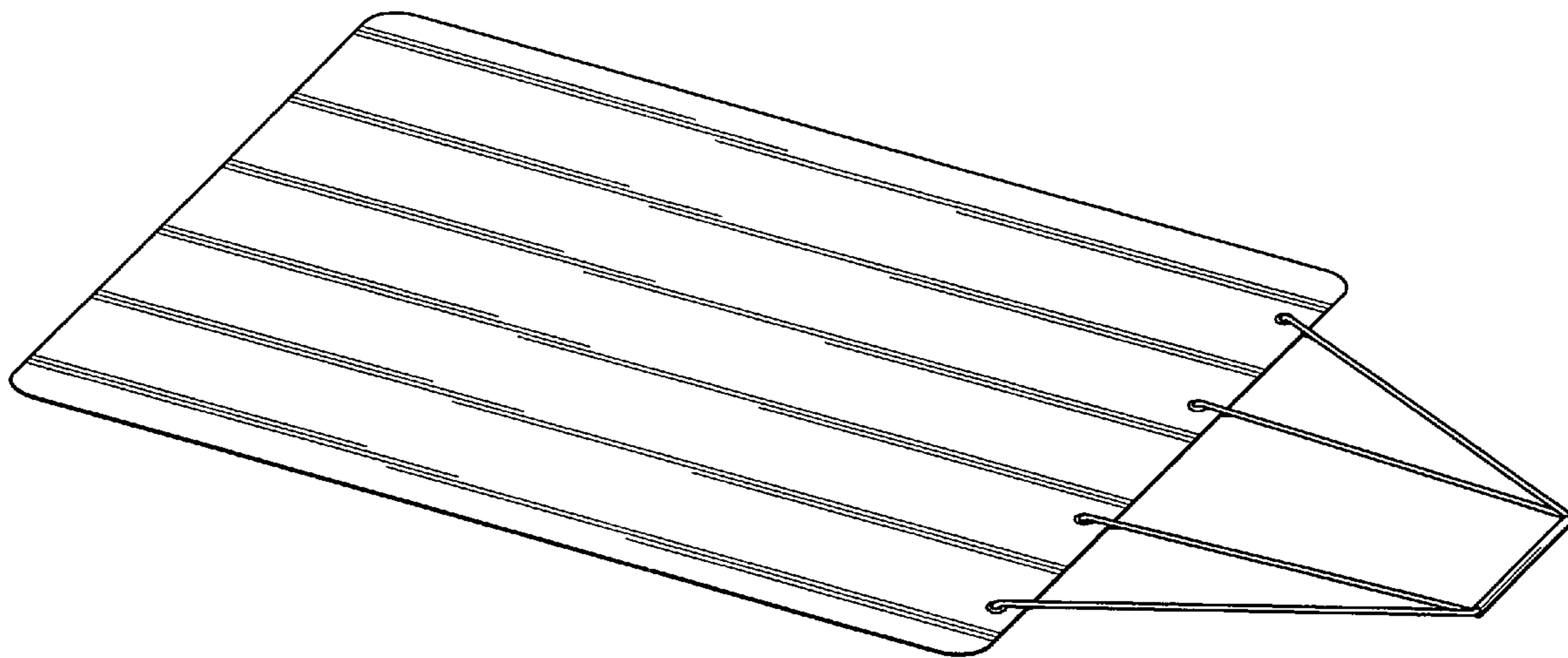
FIG. 2 is a left side elevational view, the right side elevational view being a mirror image thereof;

FIG. 3 is a rear elevational view thereof;

FIG. 4 is a top plan view, the bottom plan view being a mirror image thereof; and,

FIG. 5 is a front elevational view thereof.

1 Claim, 2 Drawing Sheets



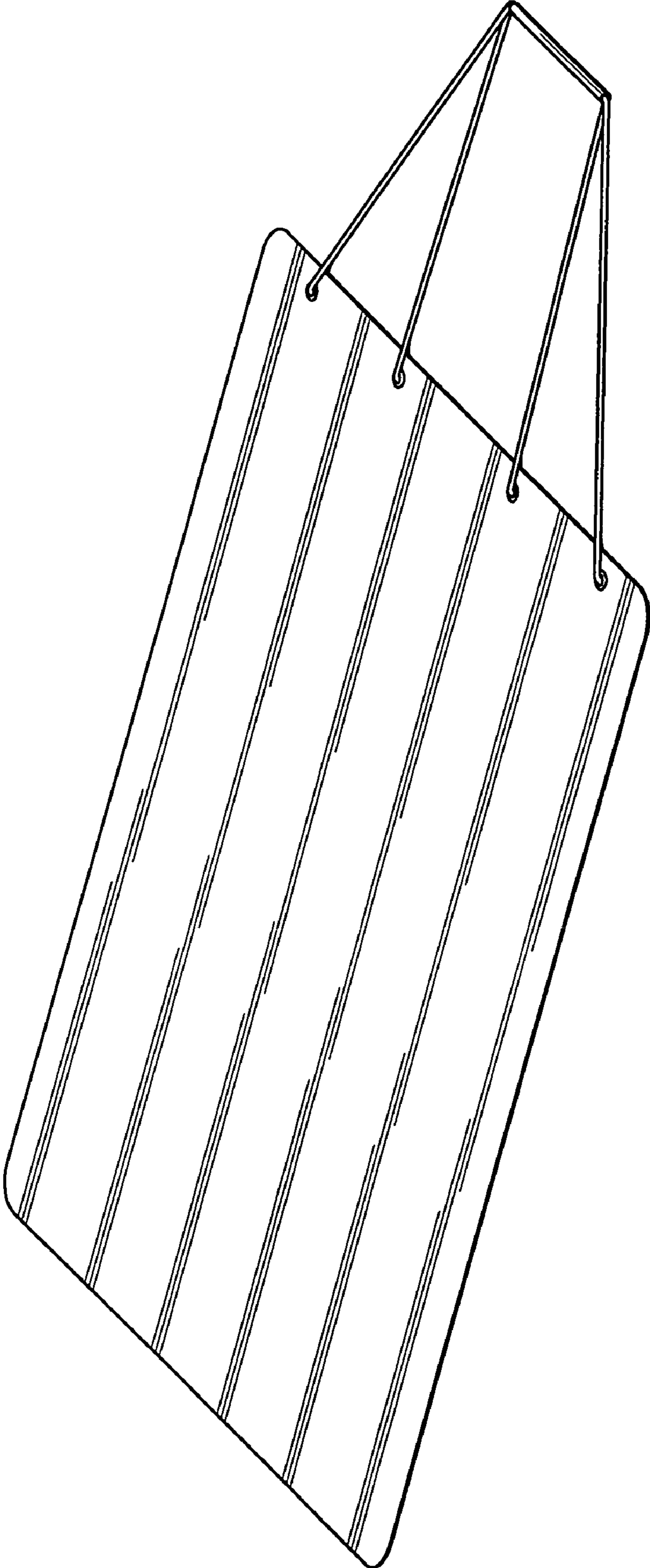


FIG. 1



FIG. 2

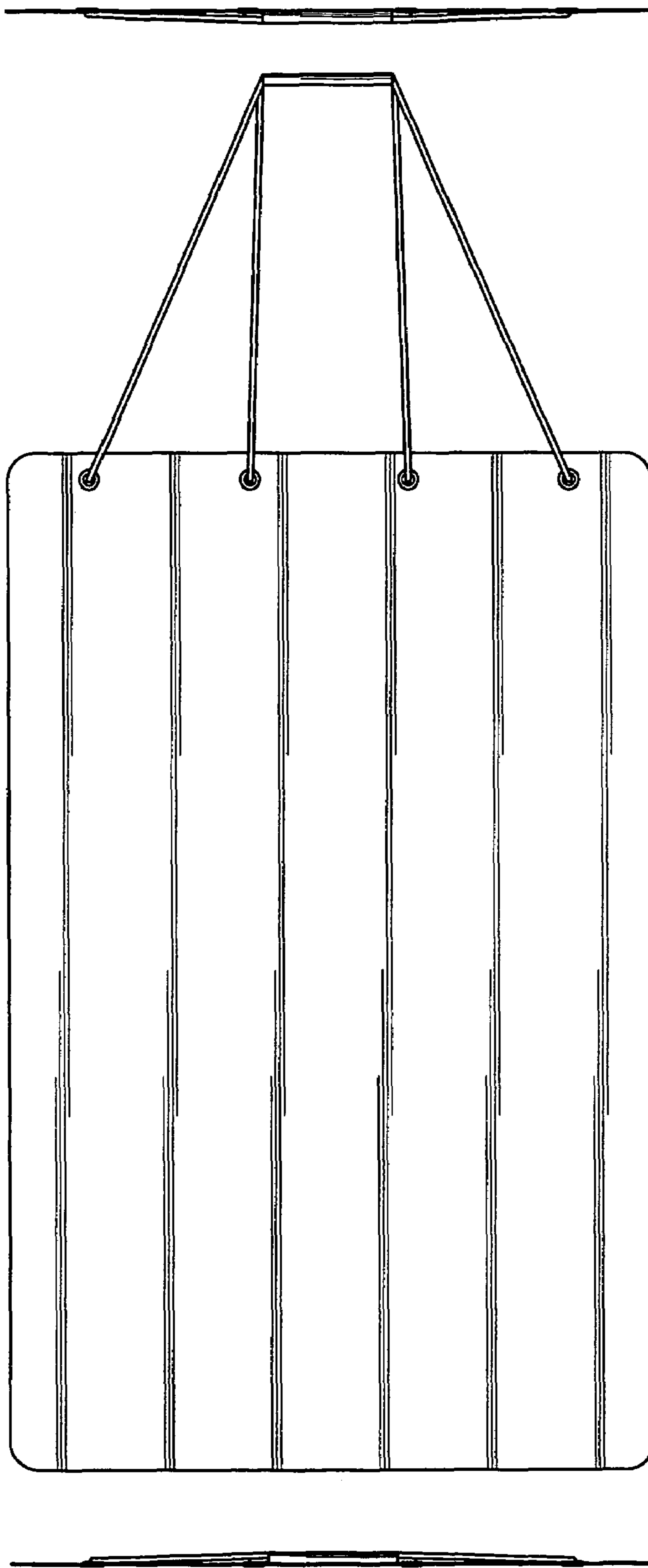


FIG. 3

FIG. 4

FIG. 5