

US00D573060S

(12) **United States Design Patent**
White

(10) **Patent No.:** **US D573,060 S**

(45) **Date of Patent:** **** Jul. 15, 2008**

(54) **PLANTER**

(75) Inventor: **Scott White**, Toronto (CA)

(73) Assignee: **CTI International Limited**, Toronto,
Ontario (CA)

(**) Term: **14 Years**

(21) Appl. No.: **29/287,223**

(22) Filed: **Jul. 11, 2007**

(51) **LOC (8) Cl.** **11-02**

(52) **U.S. Cl.** **D11/152**

(58) **Field of Classification Search** D6/403,
D6/556; D11/143-148, 152-156; D19/77,
D19/81, 84; D26/9; D99/5, 19; 47/32.7,
47/39, 41.01, 41.1, 41.12-41.15, 44-47,
47/65.5, 66.1, 66.6, 66.7, 67-71

See application file for complete search history.

(56) **References Cited**

U.S. PATENT DOCUMENTS

D192,435	S	*	3/1962	Goodman	D7/531
3,288,340	A	*	11/1966	Shapiro et al.	D11/143
D264,686	S	*	6/1982	Davis	D9/429
4,715,144	A	*	12/1987	Lee	47/66.6
D298,303	S	*	11/1988	Lee	D11/152
5,026,268	A	*	6/1991	Lee	425/525
D325,181	S	*	4/1992	Lee	D11/152
D369,326	S	*	4/1996	Weder et al.	D11/143

D380,647	S	*	7/1997	Durand	D7/531
D404,682	S	*	1/1999	Baran et al.	D11/152
D438,794	S	*	3/2001	Miles et al.	D9/429
D477,751	S	*	7/2003	Chuang	D7/531
D519,831	S	*	5/2006	de Cleir et al.	D9/428

* cited by examiner

Primary Examiner—Caron D. Veynar

Assistant Examiner—Garth Rademaker

(74) *Attorney, Agent, or Firm*—Riches, McKenzie & Herbert
LLP

(57) **CLAIM**

I claim the ornamental design for a planter, as shown and described.

DESCRIPTION

FIG. 1 is a perspective view of a planter showing my new design;

FIG. 2 is a top plan view thereof;

FIG. 3 is a bottom plan view thereof;

FIG. 4 is a left side elevation view thereof, the right side elevation view being identical thereto; and,

FIG. 5 is a front elevation view thereof, the rear elevation view being identical thereto.

The broken lines depict environmental subject matter only and form no part of the claimed design.

1 Claim, 3 Drawing Sheets

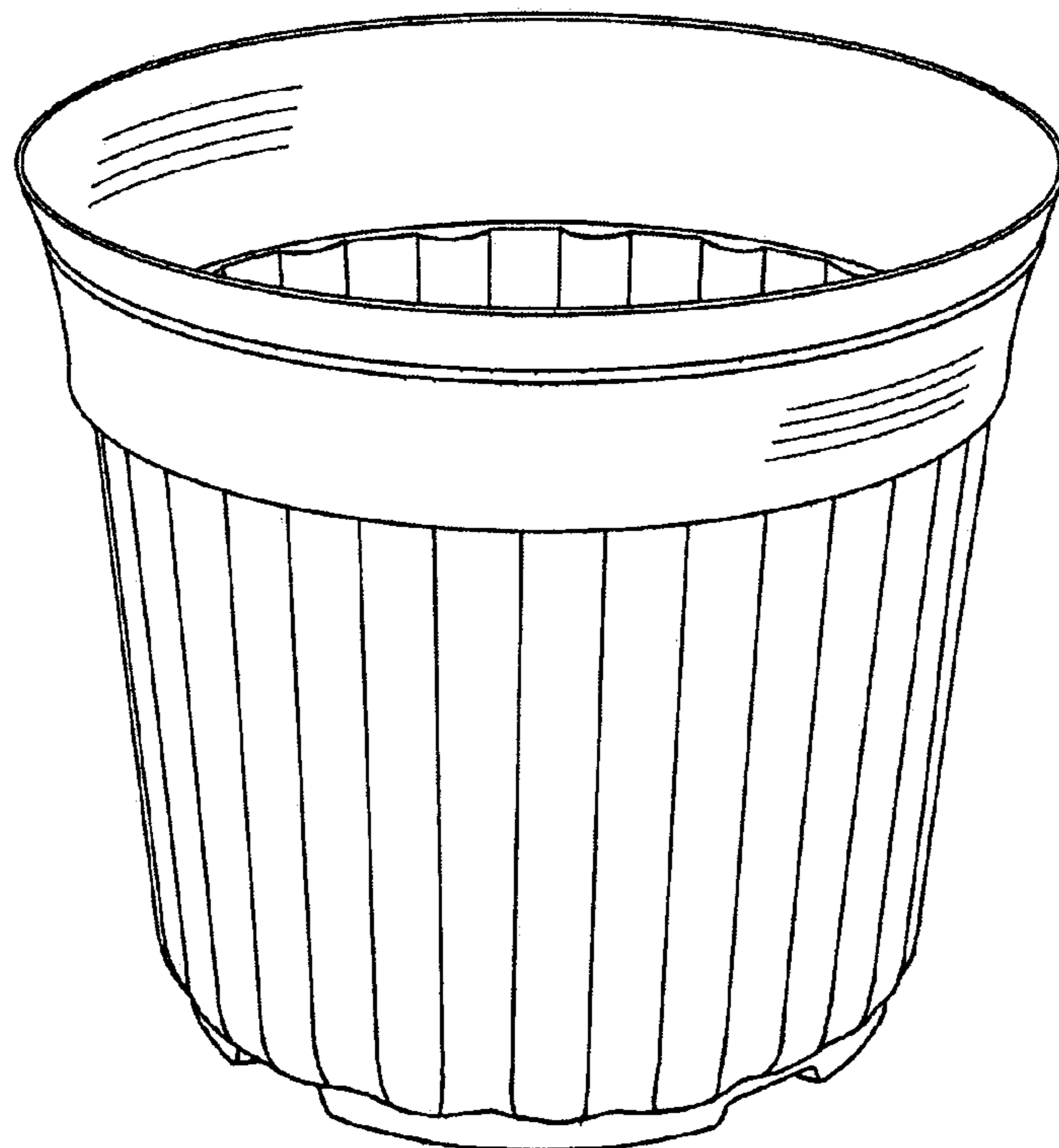


FIGURE 1

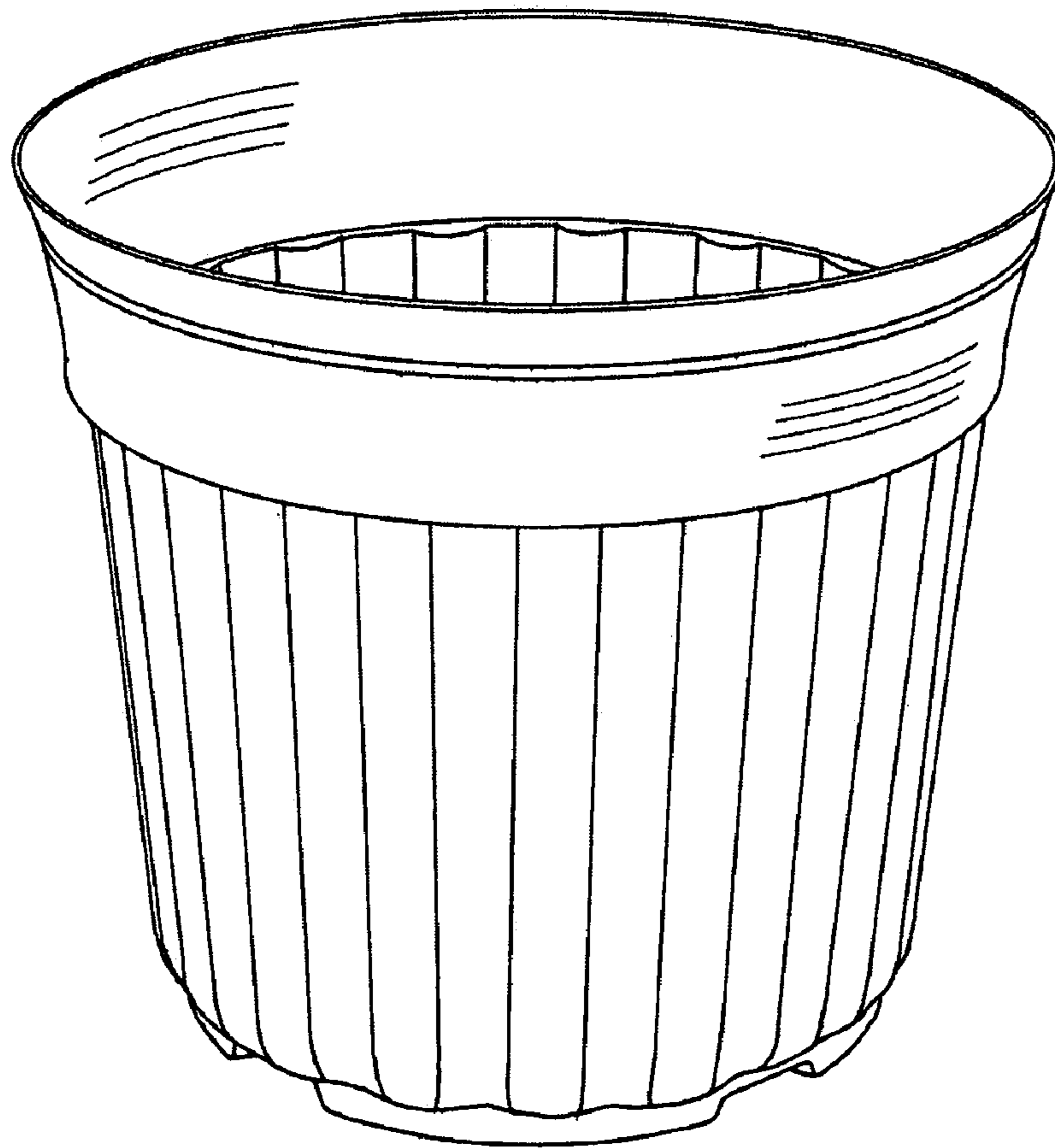


FIGURE 2

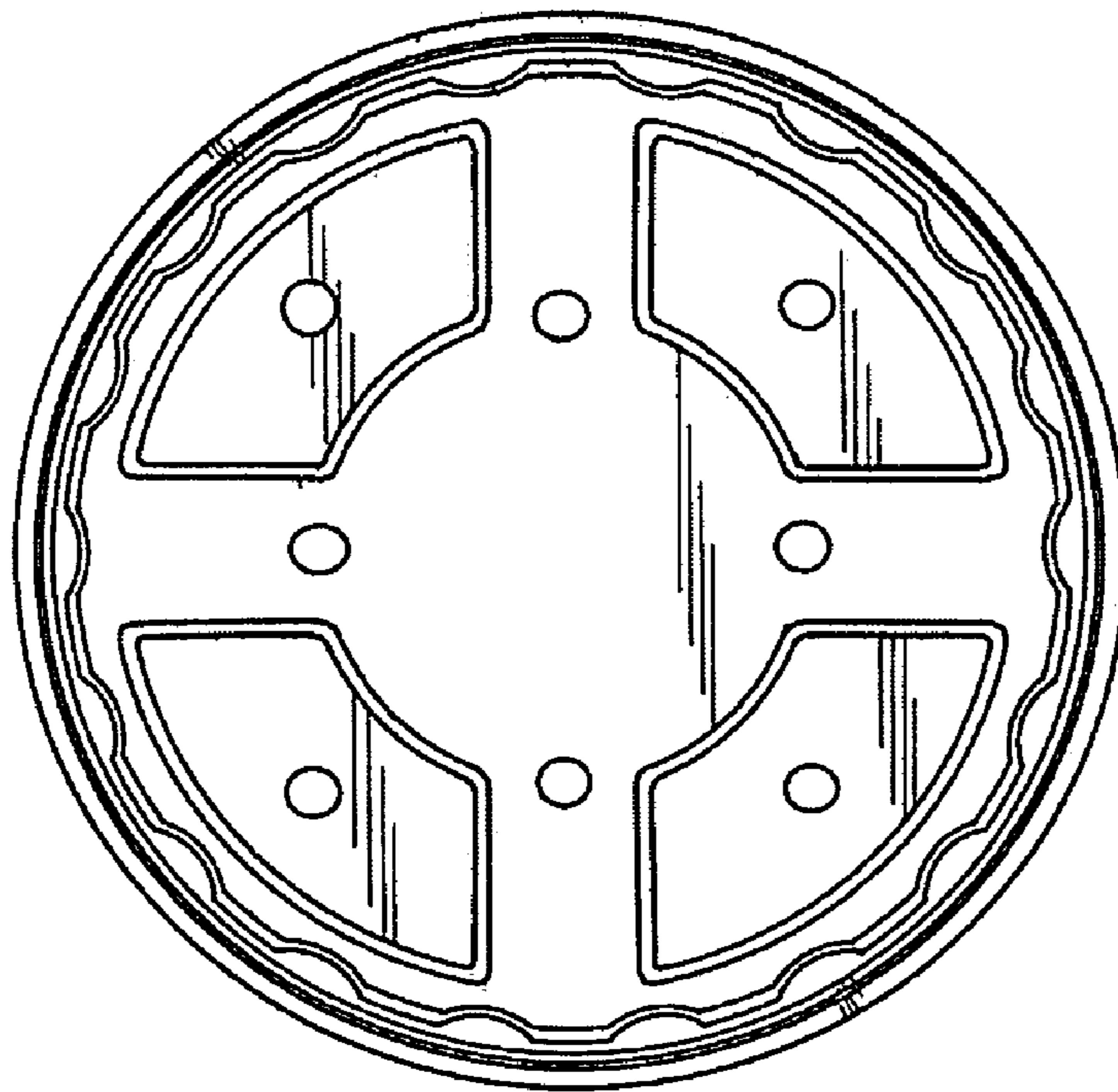
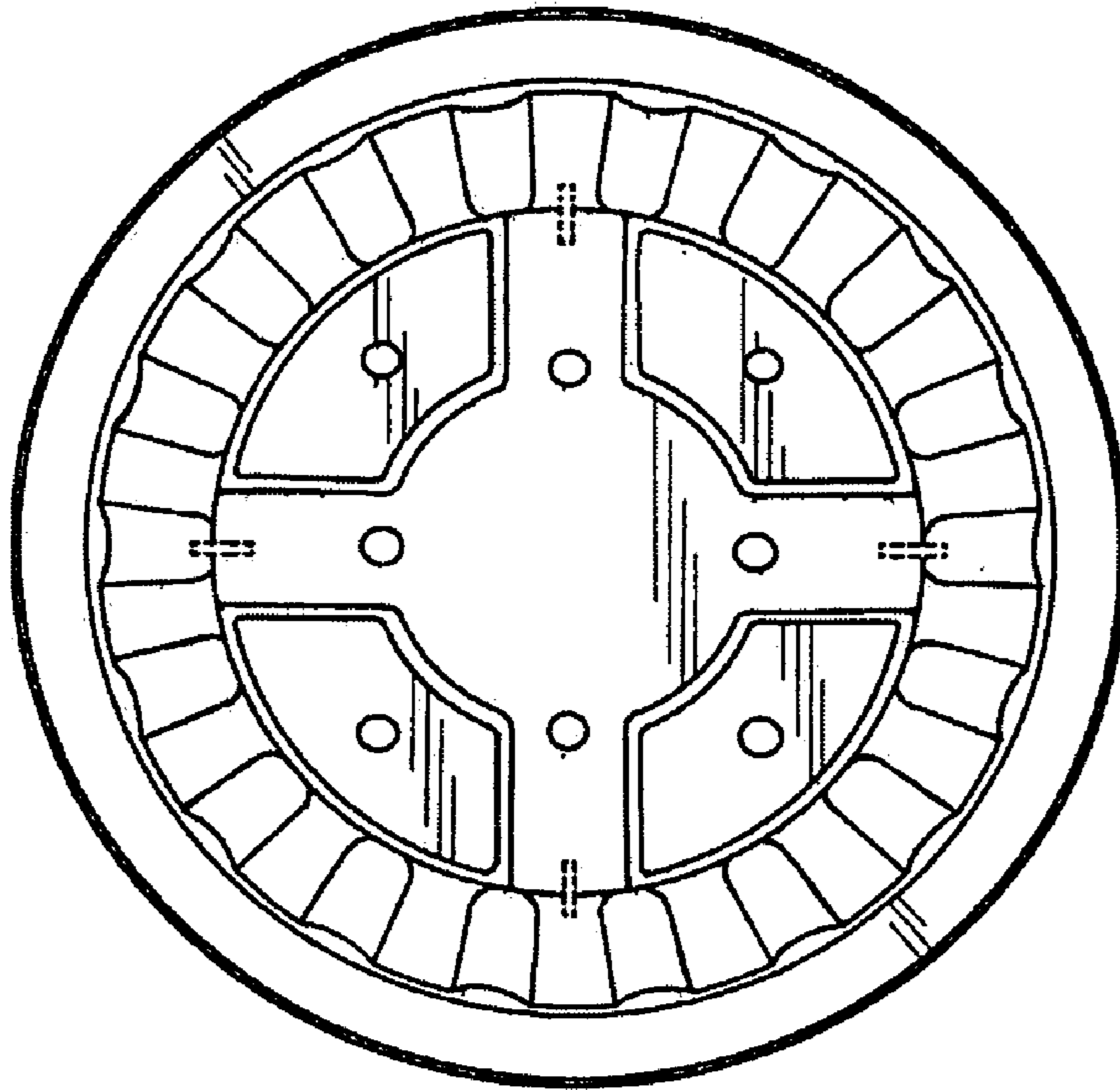


FIGURE 3

FIGURE 4

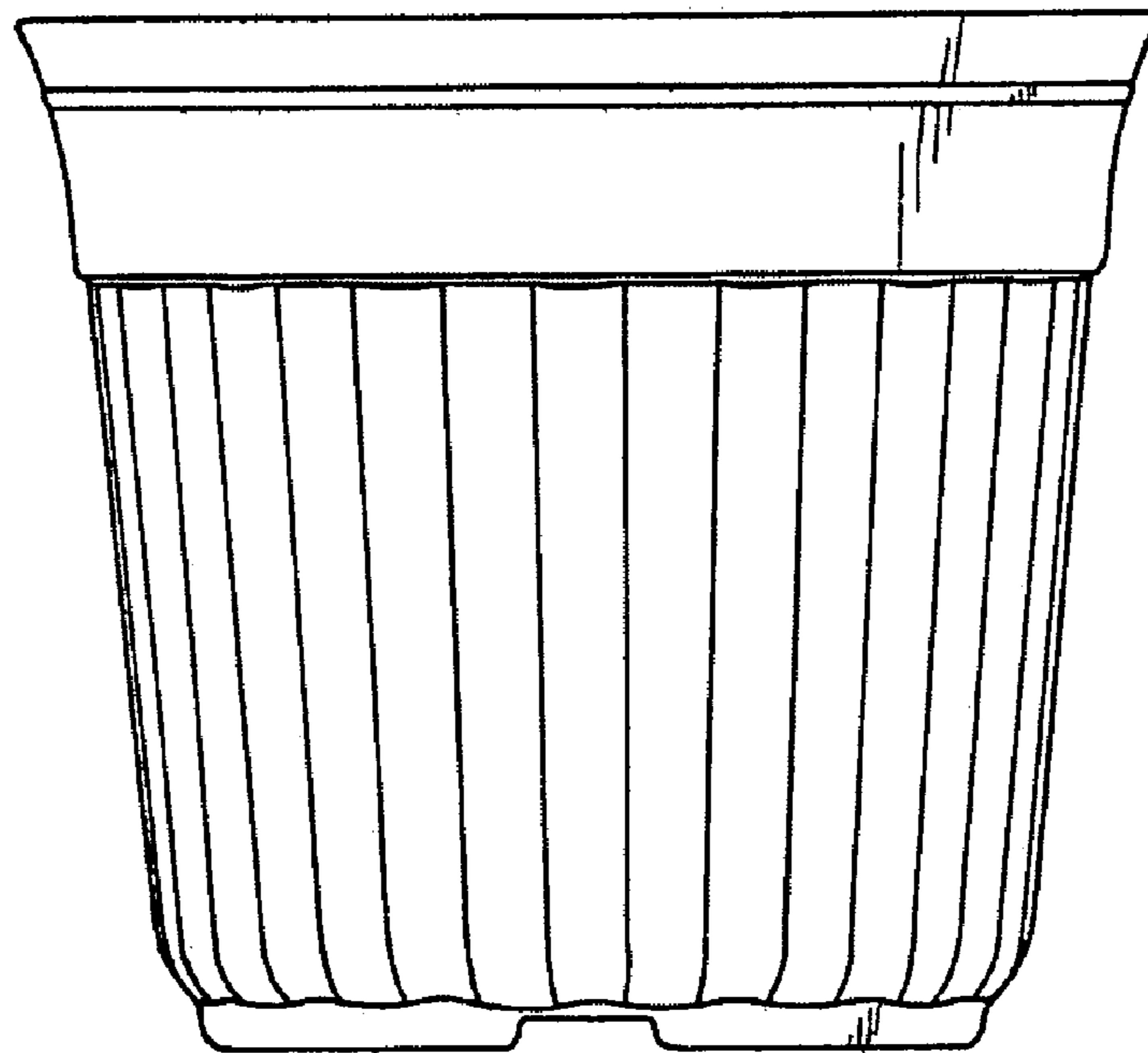
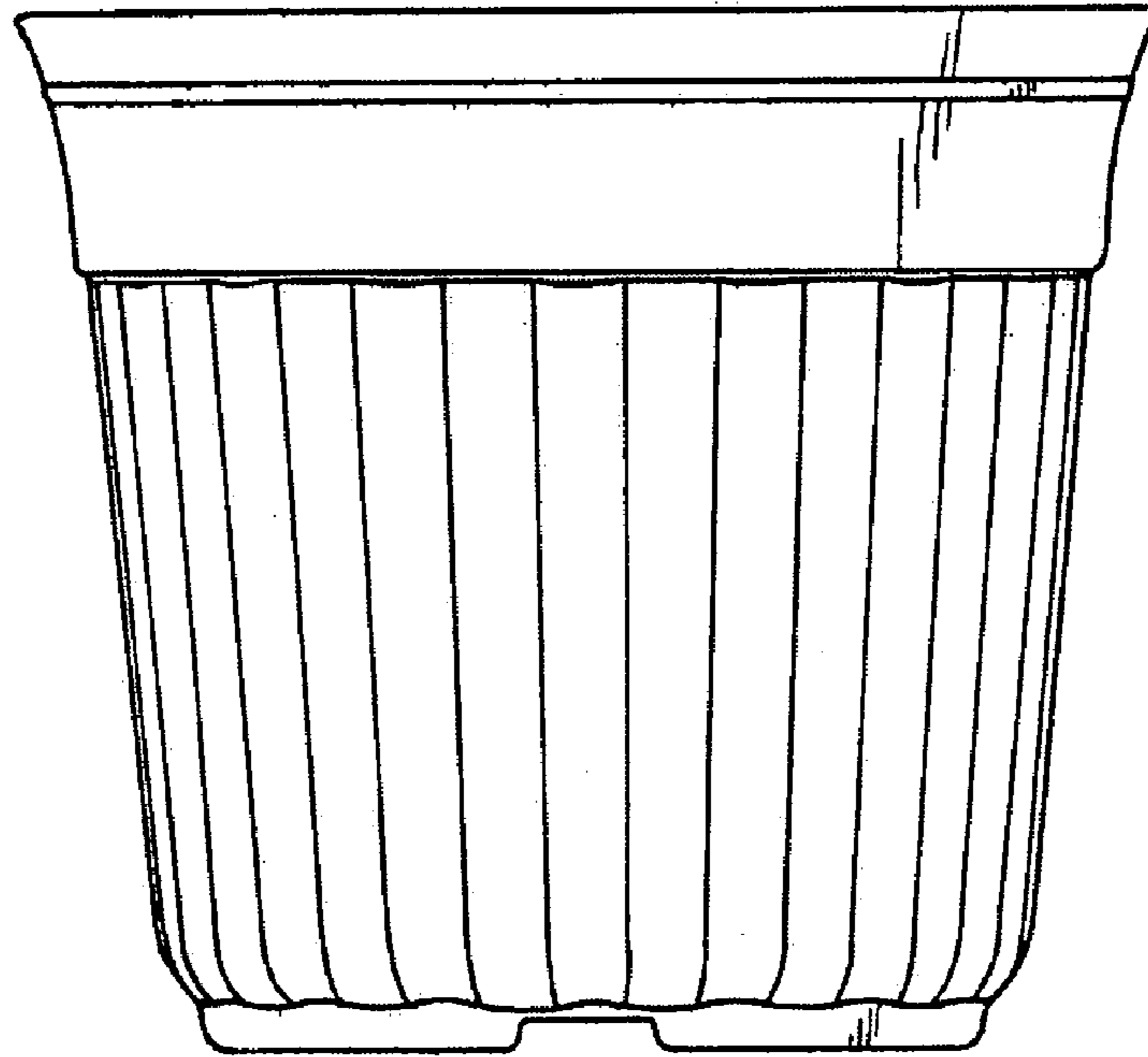


FIGURE 5