

US00D573052S

(12) **United States Design Patent**
Chen

(10) **Patent No.:** **US D573,052 S**

(45) **Date of Patent:** **** Jul. 15, 2008**

(54) **TIRE GAUGE**

(76) Inventor: **Kuo-Liang Chen**, No. 246-1, Changma Rd., Changhua (TW)

(**) Term: **14 Years**

(21) Appl. No.: **29/290,014**

(22) Filed: **Oct. 11, 2007**

(51) **LOC (8) Cl.** **10-04**

(52) **U.S. Cl.** **D10/86**

(58) **Field of Classification Search** D10/86;
73/732, 744, 742, 717, 741, 146.3, 146.8;
116/34 R, 272; 702/140

See application file for complete search history.

(56) **References Cited**

U.S. PATENT DOCUMENTS

D525,157 S * 7/2006 Wrubel D10/86

* cited by examiner

Primary Examiner—Antoine D Davis

(74) *Attorney, Agent, or Firm*—Muncy, Geissler, Olds & Lowe, PLLC

(57) **CLAIM**

The ornamental design for a tire gauge, as shown.

DESCRIPTION

FIG. 1 is a perspective view of a tire gauge, showing my new design;

FIG. 2 is a front view thereof;

FIG. 3 is a rear view thereof;

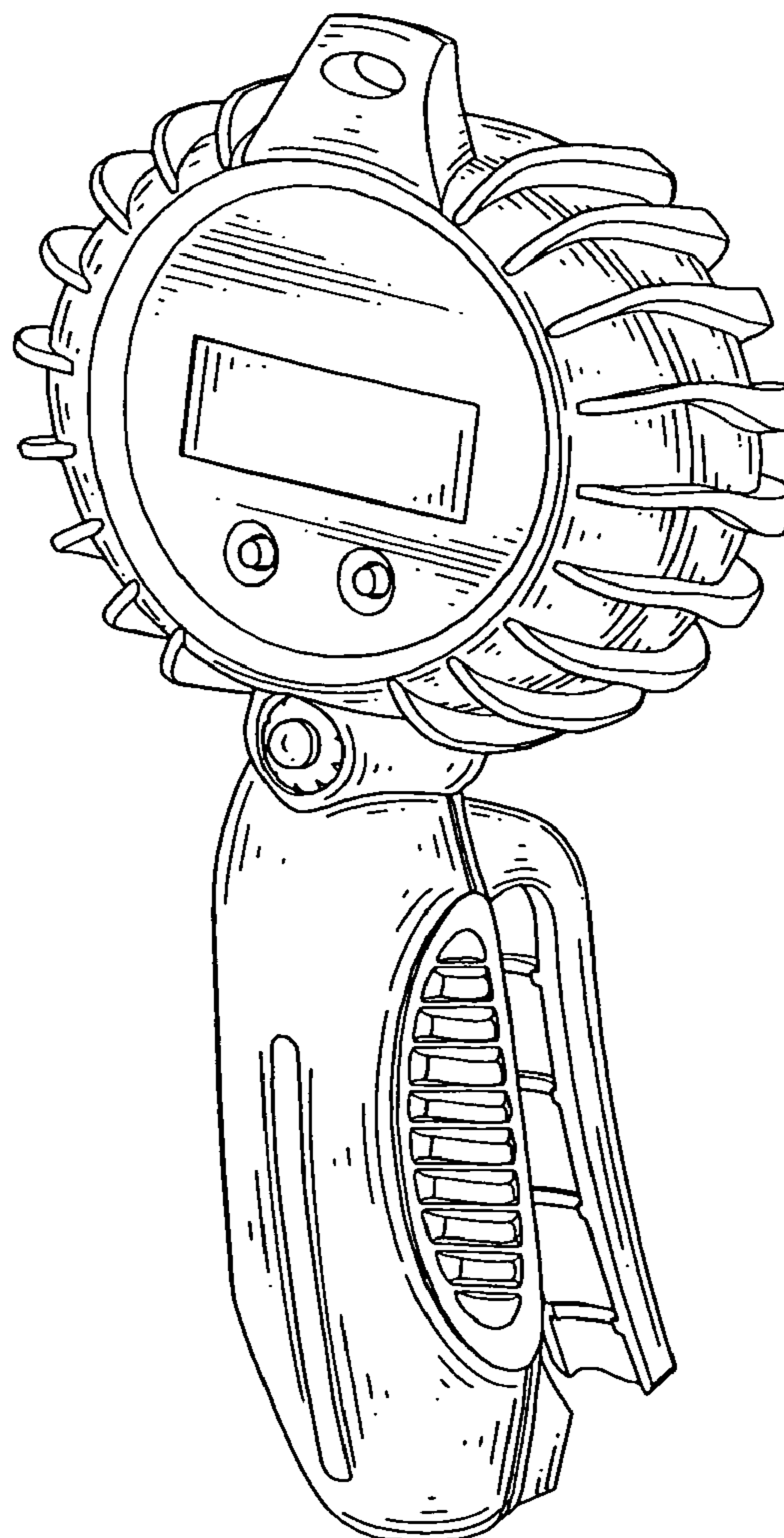
FIG. 4 is a left side view thereof;

FIG. 5 is a right side view thereof;

FIG. 6 is a top view thereof; and,

FIG. 7 is a bottom view thereof.

1 Claim, 4 Drawing Sheets



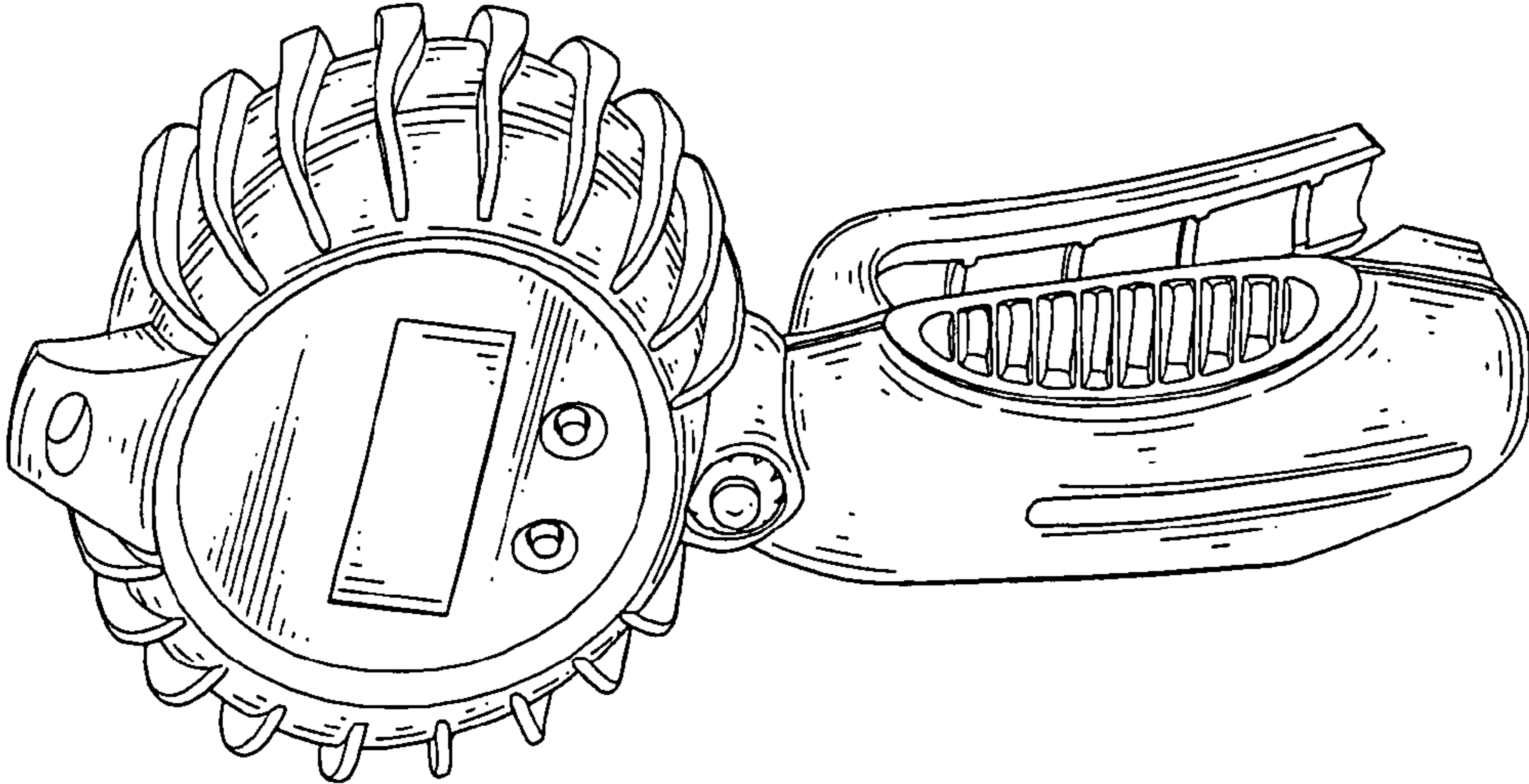


FIG.1

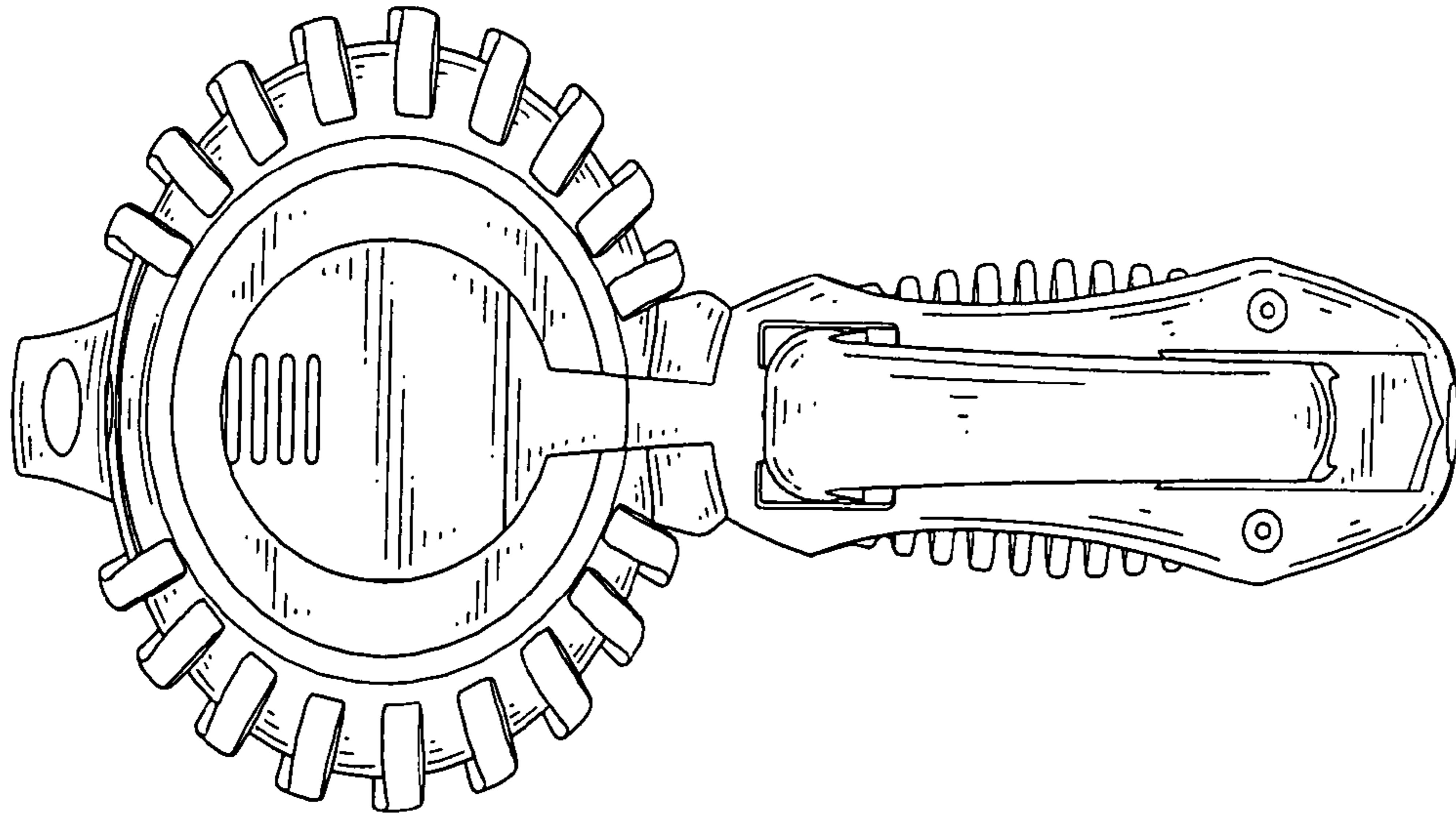


FIG. 3

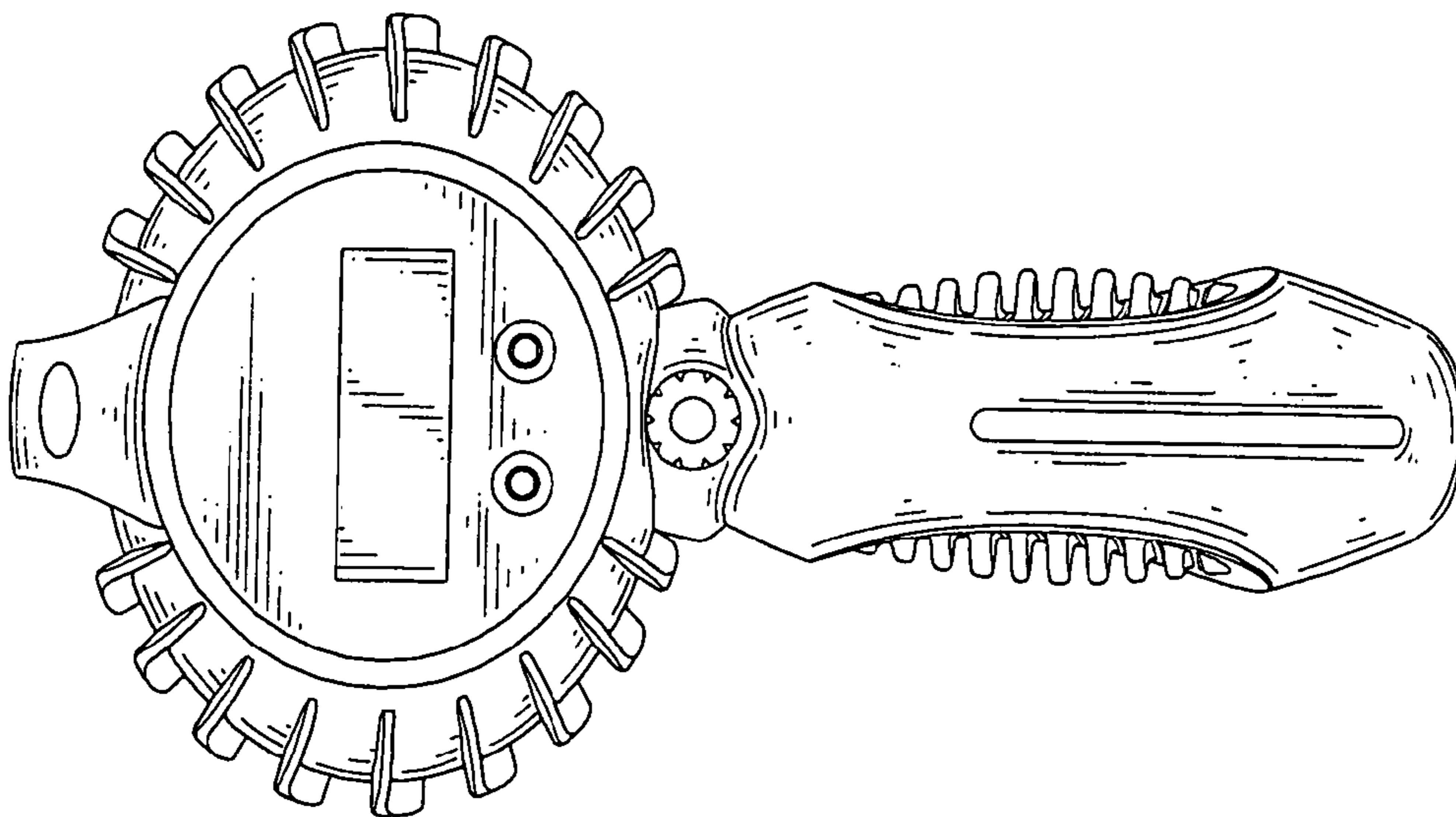


FIG. 2

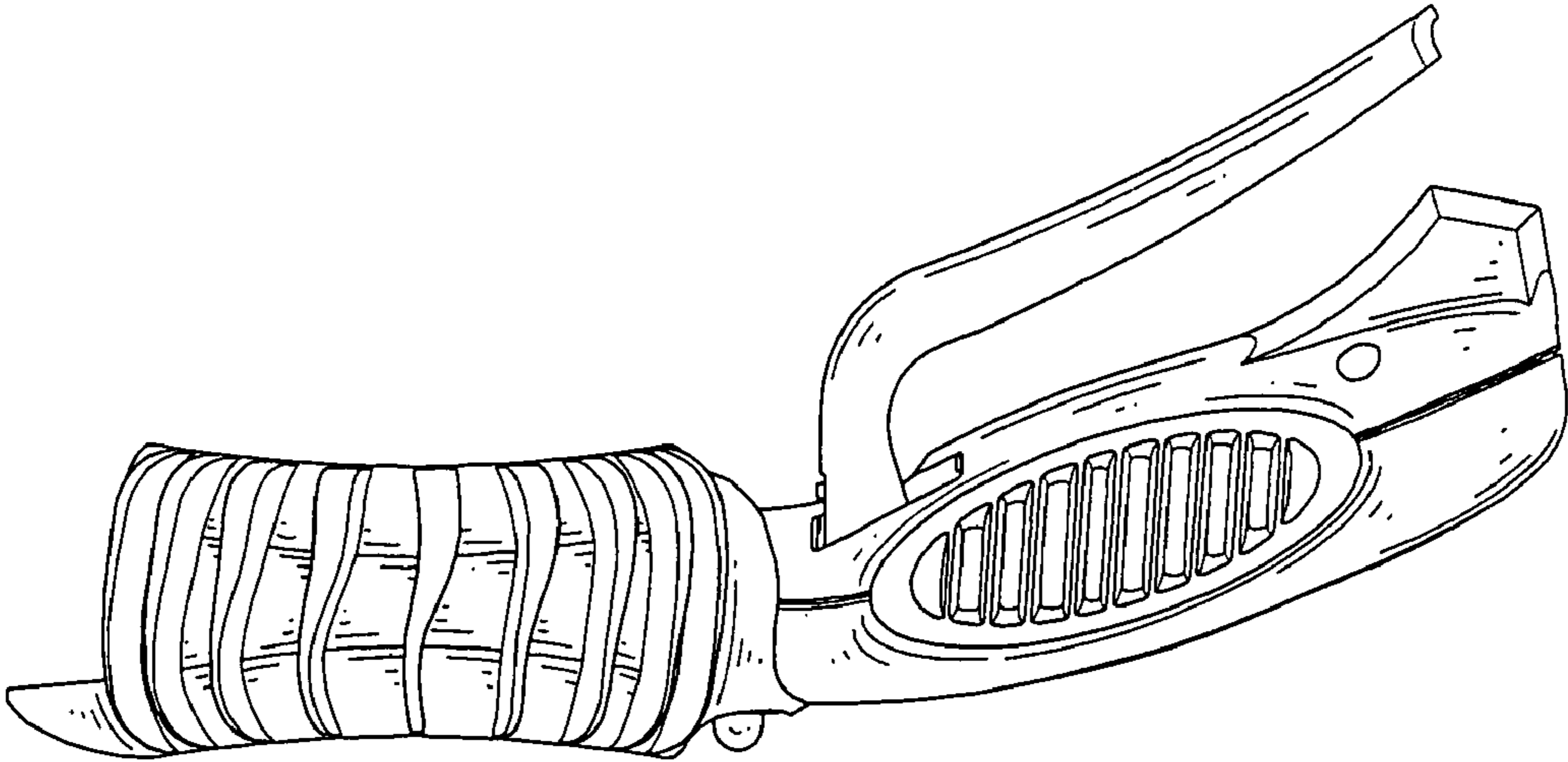


FIG.5

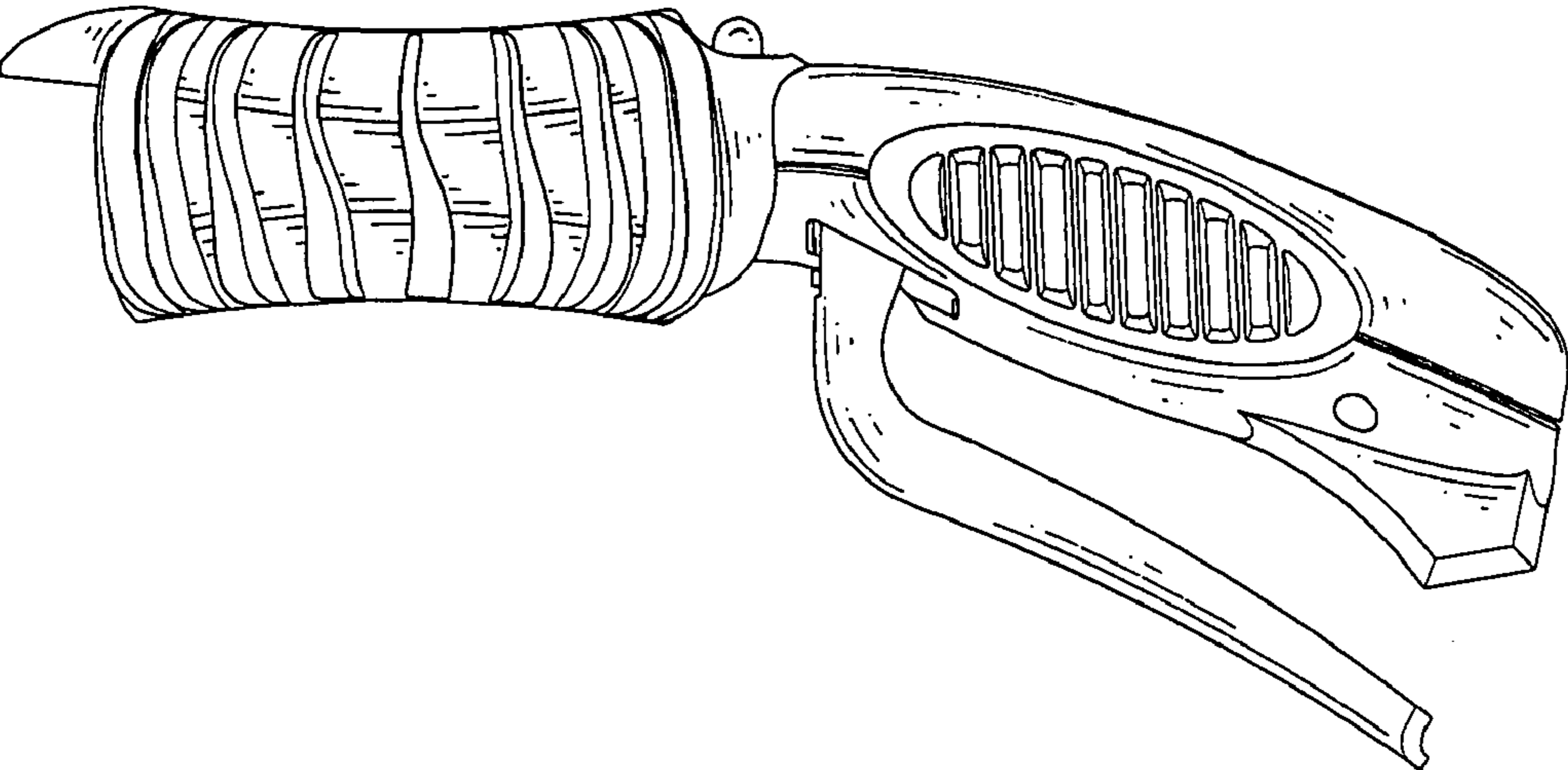


FIG.4

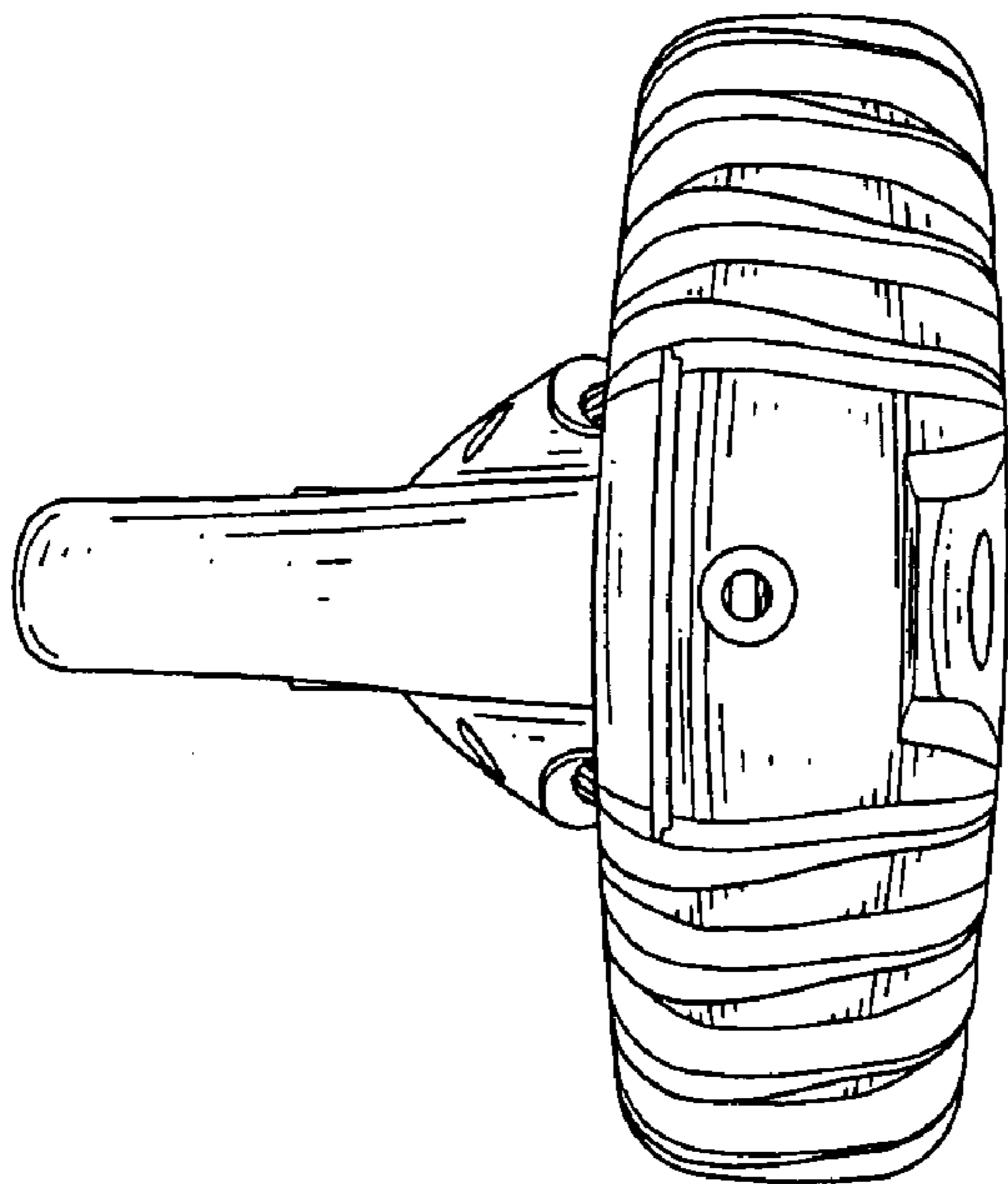


FIG. 6

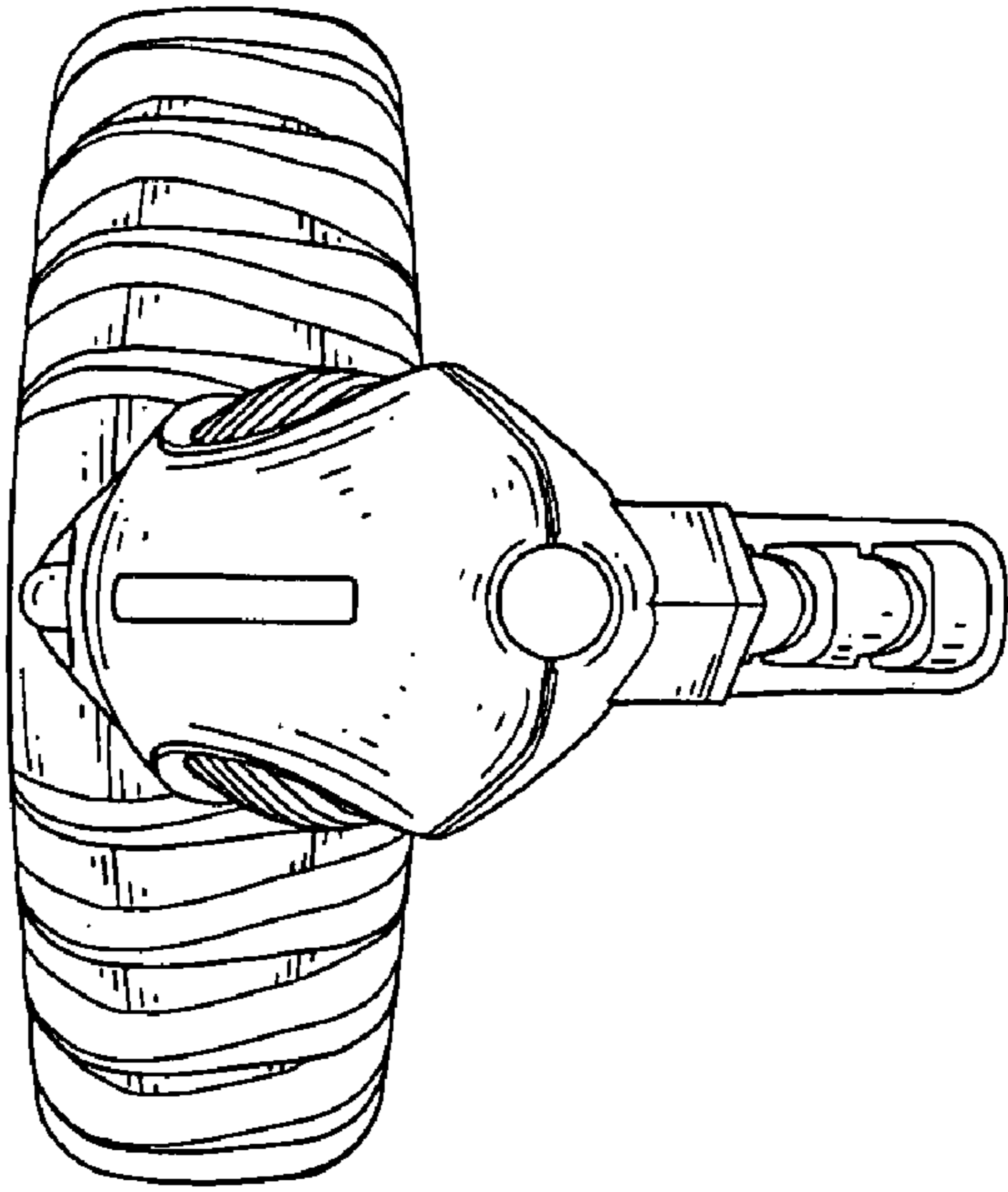


FIG. 7