



US00D573051S

(12) **United States Design Patent**  
**Alden et al.**

(10) **Patent No.:** **US D573,051 S**  
(45) **Date of Patent:** **\*\* Jul. 15, 2008**

(54) **DIAGNOSTIC ANALYZER**

(75) Inventors: **Tor Alden**, Basking Ridge, NJ (US);  
**Brian Bloch**, North Plainfield, NJ (US);  
**Kenneth Galano**, Wrentham, MA (US);  
**Erik Klemm**, Newton, NJ (US); **David Laporta**, Matawan, NJ (US); **Scott Mathis**, Ridgefield, CT (US)

5,051,238 A 9/1991 Umetsu et al.  
D320,450 S 10/1991 Hicaro, Jr. et al.  
5,089,229 A 2/1992 Vetest  
D334,237 S 3/1993 Collister et al.  
D400,673 S \* 11/1998 Kheiri et al. .... D24/107  
D489,816 S 5/2004 Ross  
7,351,574 B2 \* 4/2008 Vent ..... 422/65  
7,368,081 B2 \* 5/2008 Thiem ..... 422/63

(73) Assignee: **Siemens Healthcare Diagnostics Inc.**,  
Tarrytown, NY (US)

\* cited by examiner

*Primary Examiner*—Antoine D Davis

(74) *Attorney, Agent, or Firm*—Noam R. Pollack, Esq.

(\*\*) Term: **14 Years**

(21) Appl. No.: **29/280,648**

(57) **CLAIM**

(22) Filed: **Jun. 4, 2007**

The ornamental design for a diagnostic analyzer, as shown and described.

(51) **LOC (8) Cl.** ..... **10-04**

**DESCRIPTION**

(52) **U.S. Cl.** ..... **D10/81; D24/107; D24/186;**  
D24/232

FIG. 1 is a front perspective view of a diagnostic analyzer showing our new design;

(58) **Field of Classification Search** ..... D10/46,  
D10/81; D24/107, 186, 232; 422/63–68.1,  
422/99, 100; 423/43; 356/244, 246

FIG. 2 is a top view thereof;

FIG. 3 is a front view thereof;

See application file for complete search history.

FIG. 4 is a right side view thereof;

FIG. 5 is a left side view thereof; and,

FIG. 6 is a rear view thereof.

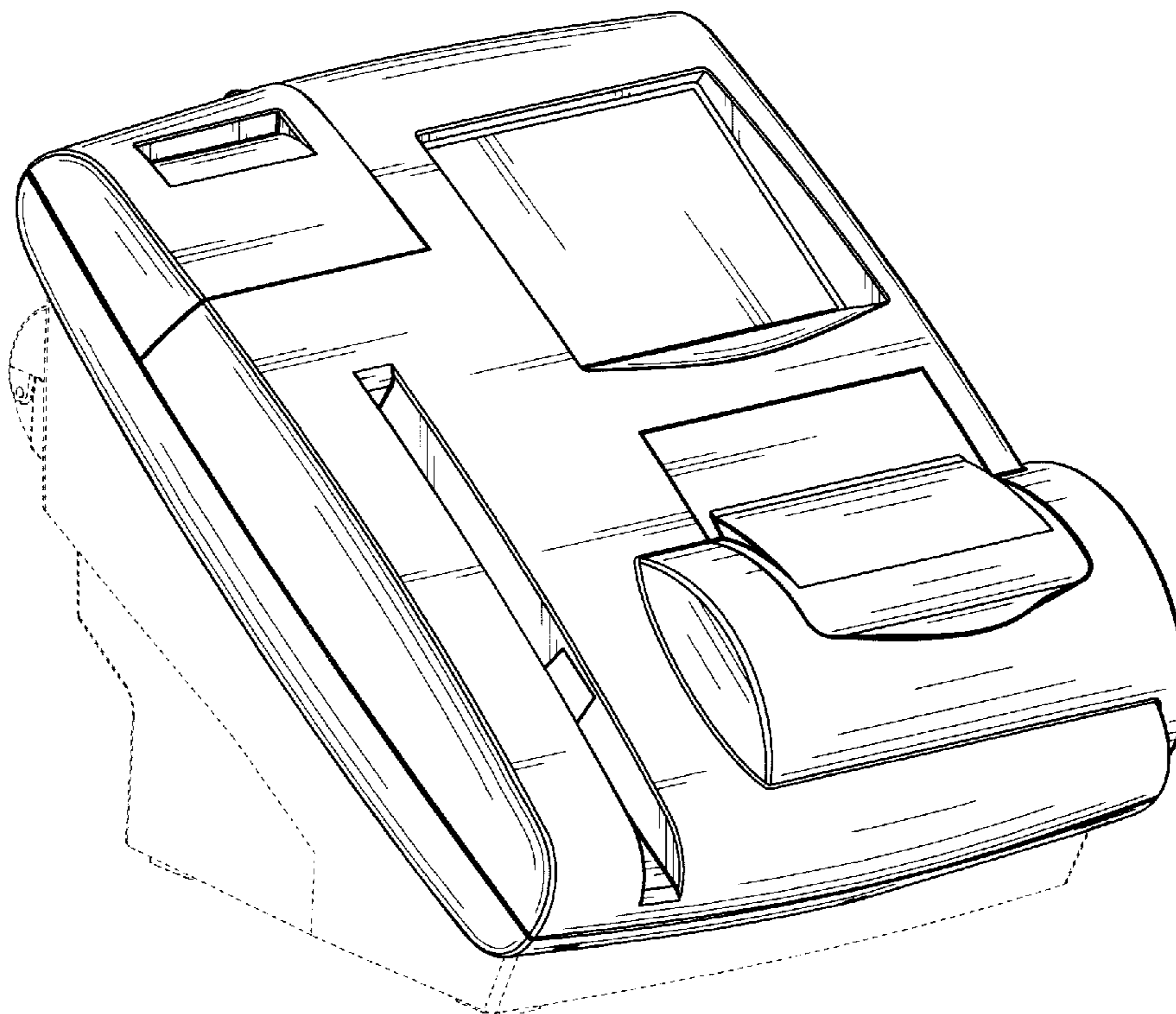
(56) **References Cited**

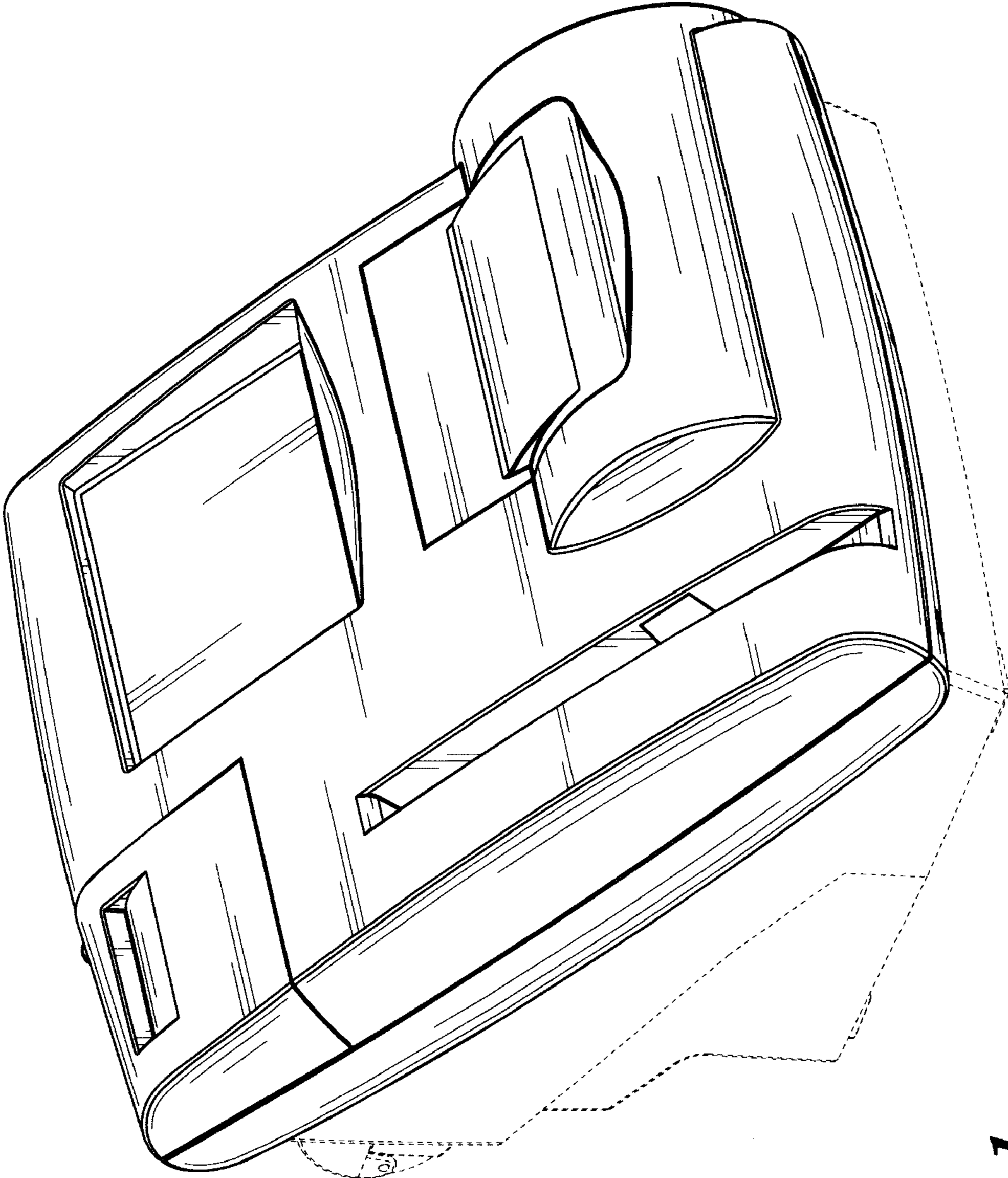
**U.S. PATENT DOCUMENTS**

D251,774 S 5/1979 Olson et al.  
D272,087 S 1/1984 Smith  
D305,684 S 1/1990 Kanewske, III et al.  
D307,321 S 4/1990 Bransky et al.

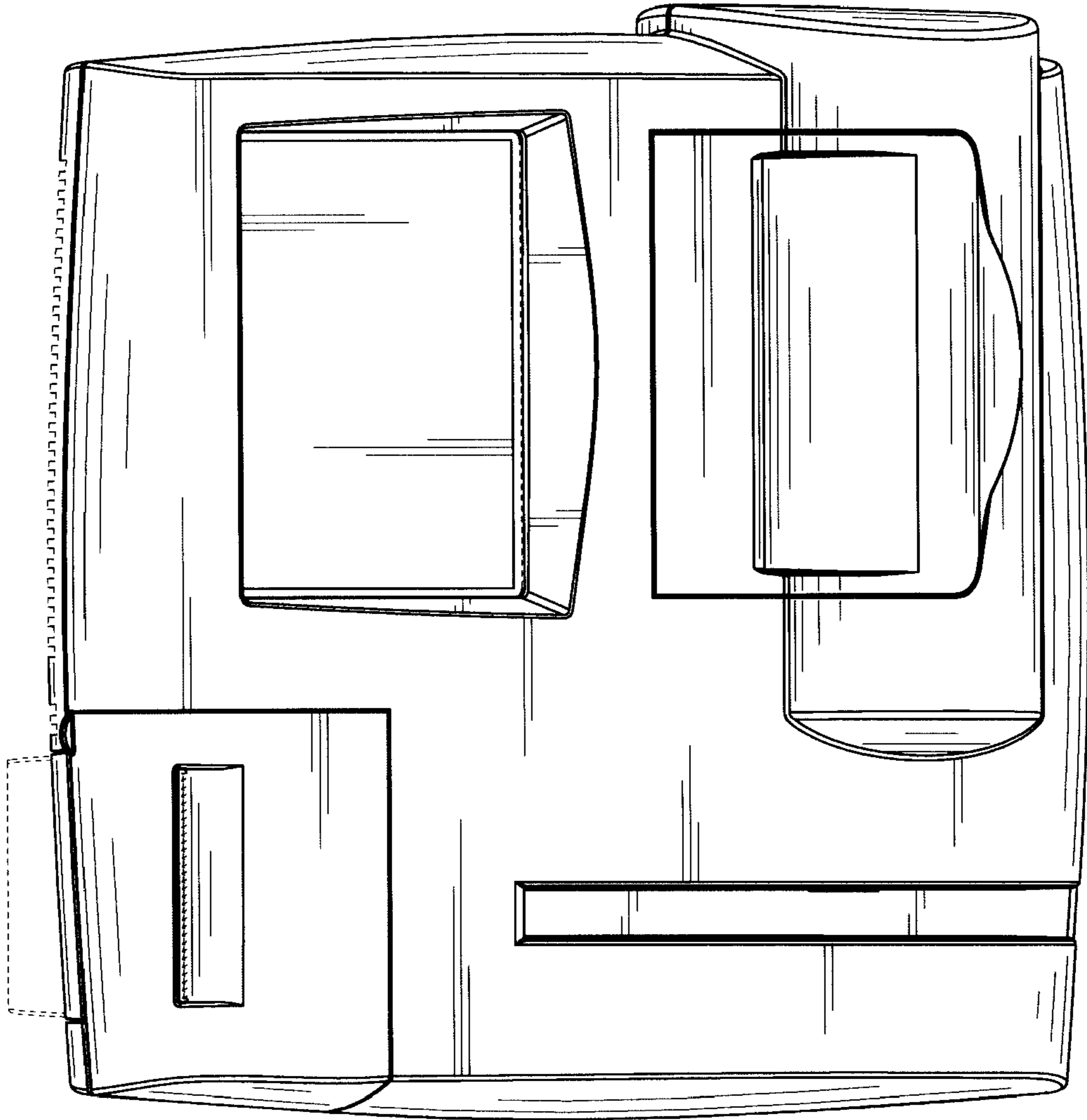
The broken lines in FIGS. 1–6 are for the purpose of illustrating the environment and form no part of the claimed design.

**1 Claim, 6 Drawing Sheets**

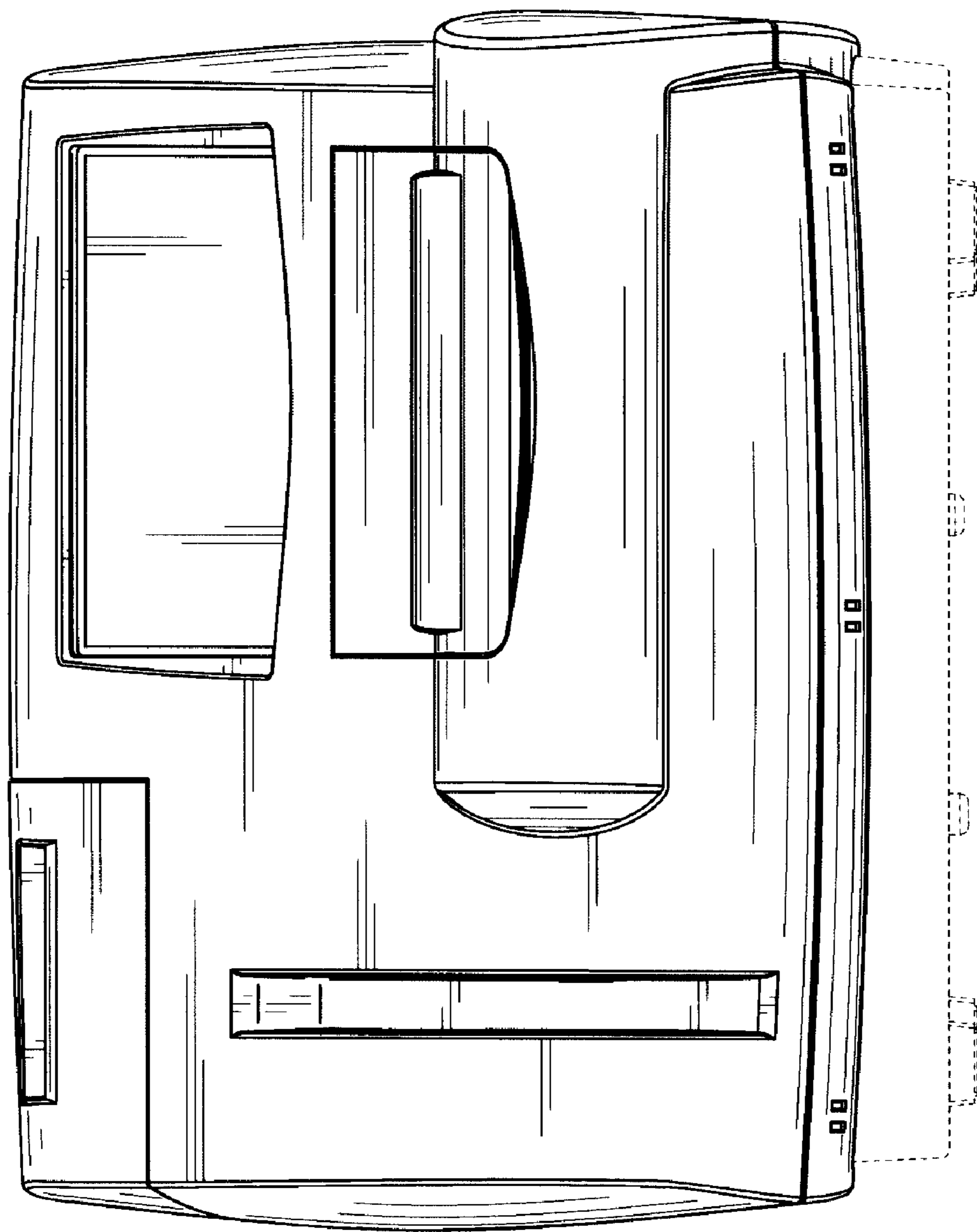




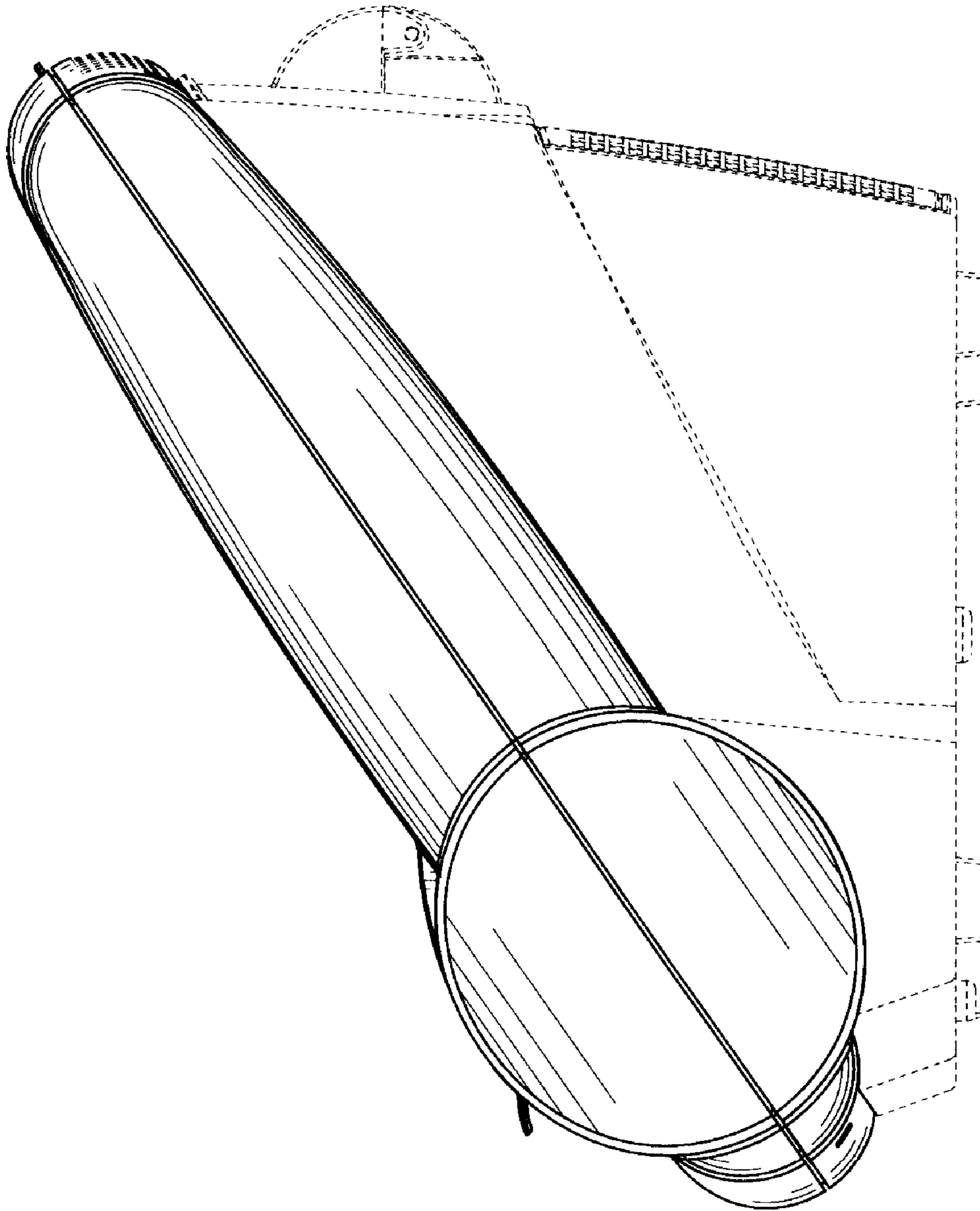
**FIG. 1**



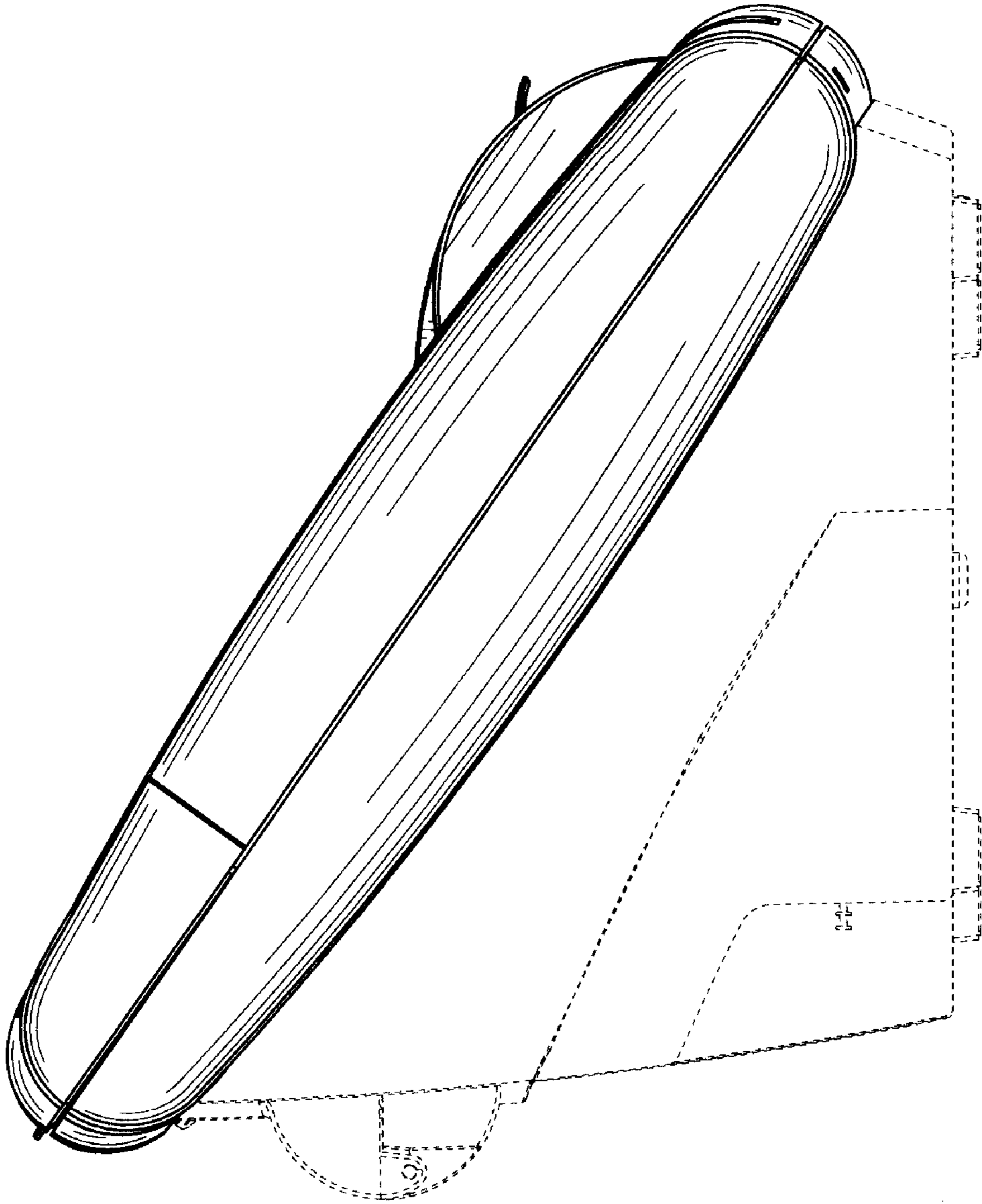
**FIG. 2**



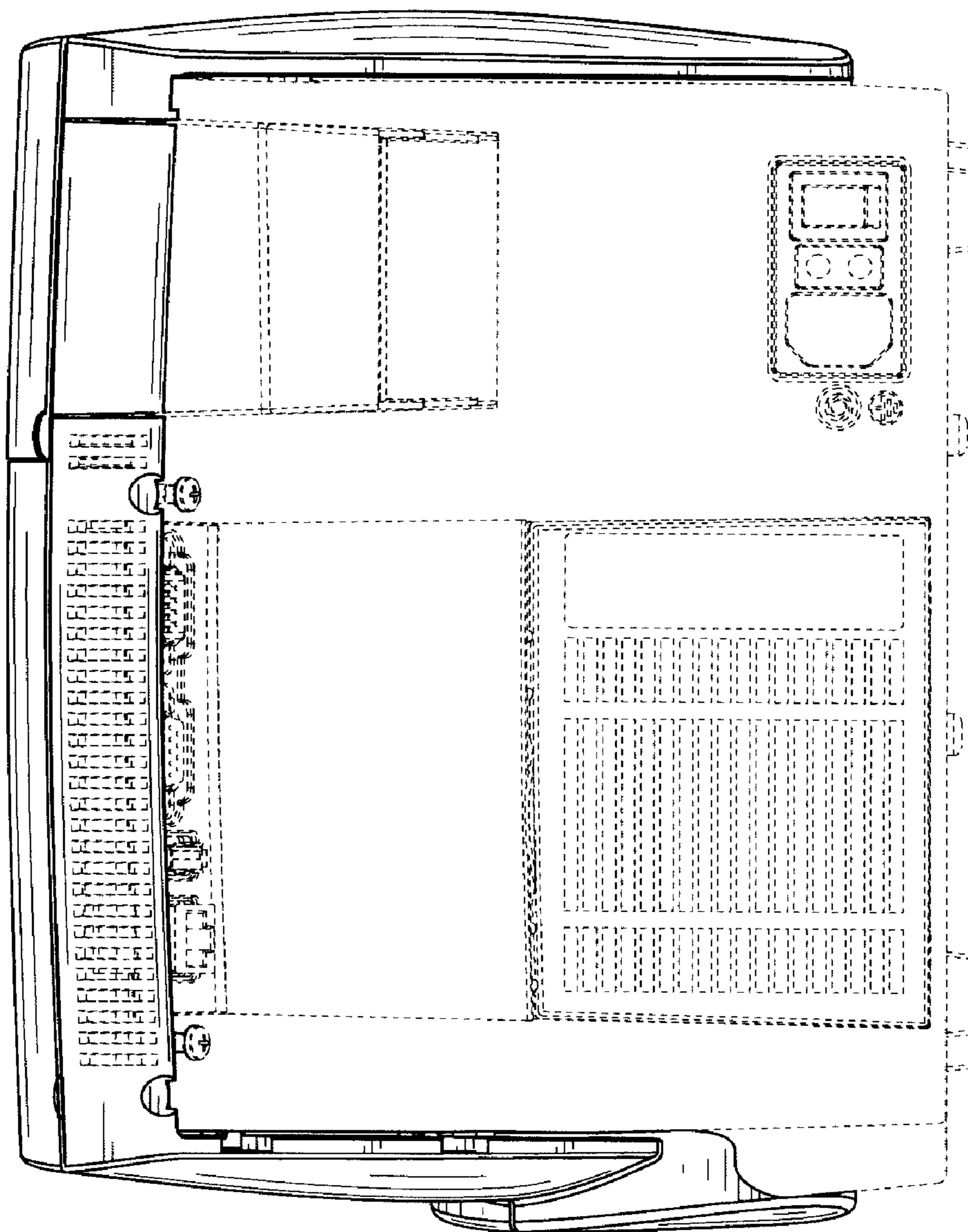
**FIG. 3**



**FIG. 4**



**FIG. 5**



**FIG. 6**